

DDWF24S

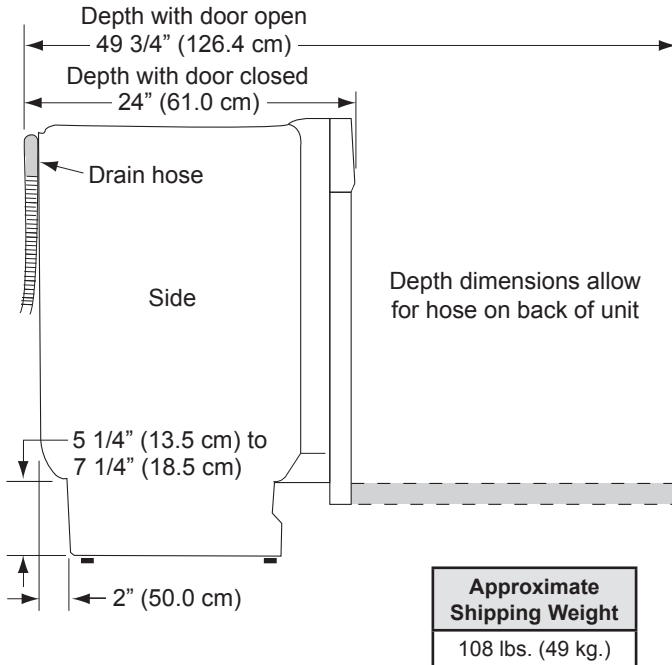


24" Wide Built-In Dishwasher

PLANNING GUIDE

Product Dimensions

Product tolerances: $\pm 1/16"$ (± 1.6 mm) otherwise stated



⚠ WARNING

- Observe all governing codes and ordinances during planning and installation. Contact your local building department for further information.
- This appliance must be installed in accordance with the accompanying installation instructions.

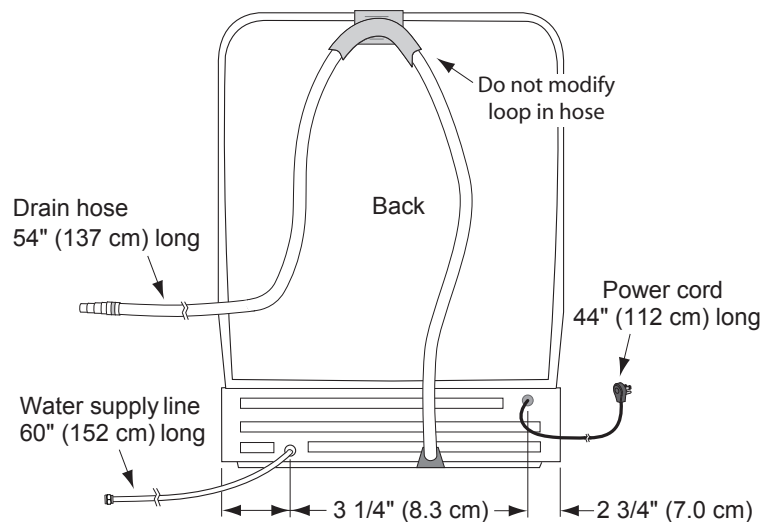
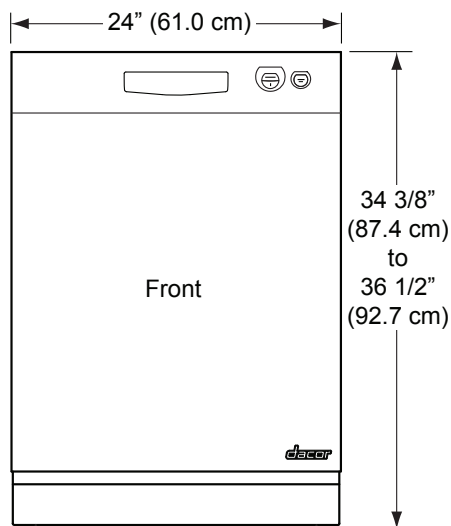
Electrical Specifications

Dedicated Circuit Required	Total Connected Load
Grounded, 3-prong, electrical outlet supplied by 120 Vac, 60 Hz, 15 Amp. (circuit breaker)	11 Amp. @ 120 Vac, 60 Hz.

- The above specifications are for reference only. For exact specifications see the product data label, located inside the right door jamb.
- Use only the supplied power cord. Do not modify the power cord or use an extension cord.

Water Supply Specifications

- **Water Pressure:** 4.2 to 125 p.s.i. (30-862 kPa) with minimum water flow of 3 gallons (12 liters) per minute.
- **Water Supply Temperature:** Cold or hot water supply (maximum 140°F, 60°C) may be used. If a cold water supply is used, the washing times will be longer but performance will not be affected.
- **Water Supply Valve Requirement:** 3/8" water supply valve for connection to dishwasher's water supply line is required in a location where it is easily accessible after the dishwasher is installed. The dishwasher water supply line is equipped with a 3/8" (10 mm) NPT female compression fitting on the end.



UTILITY CONNECTION DIMENSIONS

DDWF24S

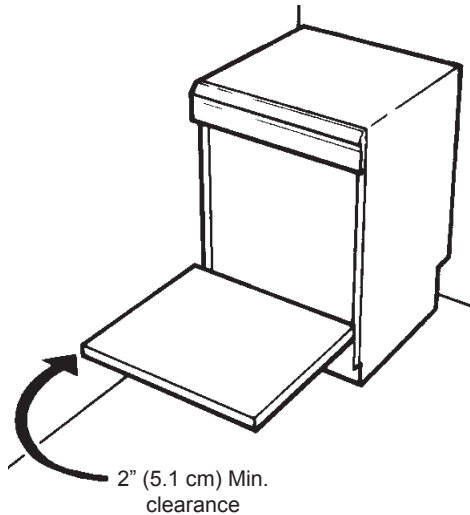


24" Wide Built-In Dishwasher

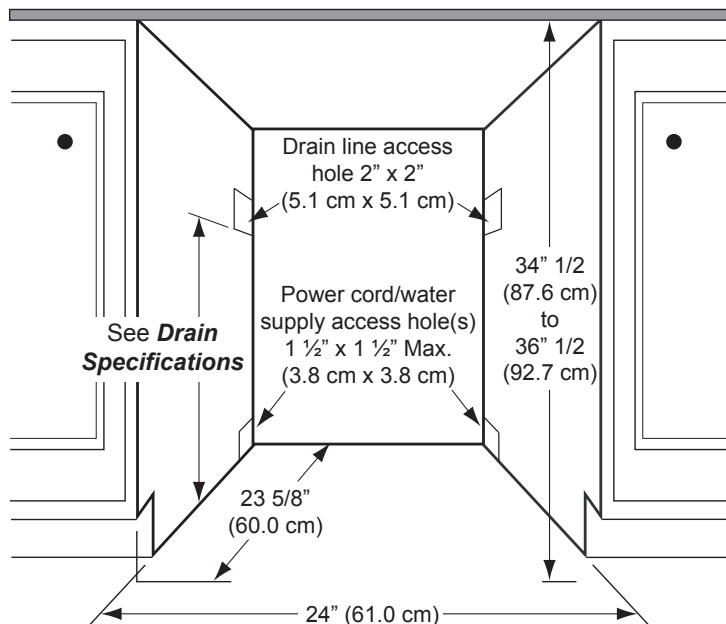
PLANNING GUIDE

Location Specifications

- Install in a location with convenient access, close to the kitchen sink for easy water supply and drain connection. All minimum product dimensions must be met or exceeded. Dimensions shown on this page provide the required clearances.
- The cabinet must enclose the dishwasher on top, back and sides.
- Plan the installation so that the appliance can be removed easily if service is required. The electrical outlet, water supply valve and drain connection must be installed to the right or left of the unit and accessible when dishwasher is installed. Do not use an extension cord to connect to the electrical outlet.
- If dishwasher is installed in a corner, there must be a minimum clearance of 2" (5.1 cm) from the side wall so the door can open. See diagram.
- Floor must be solid and level. All cutout surfaces must be at right angles. Surrounding cabinet must have sufficient material for attachment of the anti-tip brackets (see installation instructions).
- The power cord, the drain hose and water supply line must enter through one or both of the access hole locations shown below. The access hole(s) must have no sharp edges that could damage the power cord, water supply line and drain hose passing through them.



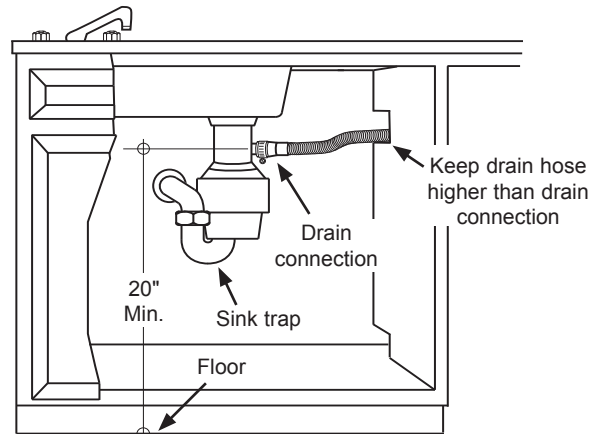
Cutout tolerances: +1/16", -0, (+1.6 mm, -0)



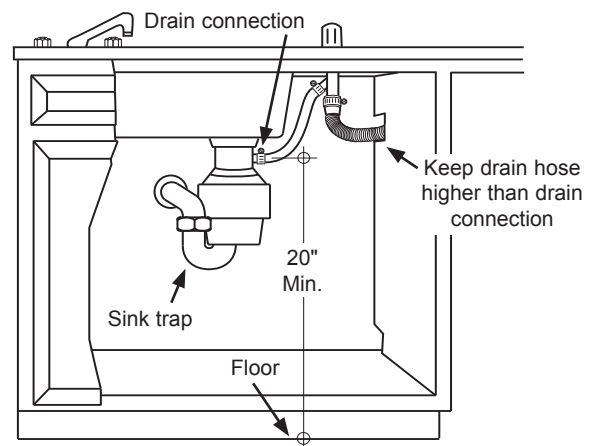
DISHWASHER CUTOUT - FRONT VIEW

Drain Specifications

- The drain connection must be a minimum of 20 inches (50.8 cm) above the floor. No part of the drain hose can be lower than the disposer or waste tee connection or higher than 37 1/2" (95.0 cm) above the floor.
- Should a drain hose longer than the one provided be required, use a hose extension approved for detergents and high temperature water.
- Total drain hose length (including any extensions) must not exceed 14 ft. 9 in. (450 cm) in length from the top of the drain loop on the back of the unit. Joints and joint tubes must have a minimum inside diameter of 5/8" (1.6 cm).
- The drain hose supplied with the dishwasher must be connected to a minimum 1/2" inside diameter drain connection. A clamp is not supplied. The drain hose is equipped with a connector that fits drain connections with an internal diameter of 1/2 to 7/8 inches (1.3 to 2.2 cm).
- Install an air gap in the drain system if required by local codes. Plan the air gap location on the countertop area adjacent to the dishwasher. A section of drain hose (not provided) needs to be installed from the air gap to the drain connection.
- If an air gap is not required, the drain hose must be installed to a disposer inlet or waste tee above the drain trap in the household plumbing.



EXAMPLE OF DRAIN CONNECTION WITHOUT AIR GAP



EXAMPLE OF DRAIN CONNECTION WITH AIR GAP