



Installation Instructions

24-Inch Built-in Dishwasher

Model DDWF24S

Table of Contents

Important Safety Instructions	1	Preparing for Installation	6
Important Information on Safety Instructions ..	1	Preparing the Drain	6
Safety Symbols and Labels	1	Installation Instructions	7
General Safety Precautions	2	Verify the Package Contents.....	7
Product Specifications	3	Installation Preparation	8
Product Dimensions	3	Installing the Unit in the Cabinet.....	9
Preparing for Installation	4	Water Line Connection.....	10
Electrical Specifications	4	Verifying Operation.....	10
Water Supply Specifications	4	Final Leveling	11
Preparing the Location.....	5	Attaching the Anti-tip Brackets	12
		Installing the Toe Kick	12
		Installation Checklist	13

Before You Begin...

Important:

Installer: In the interest of safety and to minimize problems, read these installation instructions completely and carefully before you begin the installation process. Leave these installation instructions with the customer.

Customer: Keep these installation instructions for future reference and the local electrical inspector's use.

Customer Service Information

If You Need Help...

If you have questions or problems with installation, contact your Dacor® dealer or the Dacor Customer Service Team. For repairs to Dacor appliances under warranty call the Dacor Distinctive Service line. Whenever you call, have the model and serial number of the appliance ready. The model and serial number are printed on the product data label.

Dacor Distinctive Service (repairs under warranty only)

Phone: (877) 337-3226 (U.S.A. and Canada)
Monday — Friday 6:00 A.M. to 4:00 P.M. Pacific Time

Dacor Customer Service

Phone: (800) 793-0093 (U.S.A. and Canada)
Monday — Friday 6:00 A.M. to 5:00 P.M. Pacific Time

Web site: www.Dacor.com

Product Data Label Location

The product data label is located on the right door jamb. Open the door to expose it.

**All specifications are subject to change without notice.
Dacor assumes no liability for changes to specifications.**

Important Safety Instructions

Important Information About Safety Instructions

- The **Important Safety Instructions** and warnings in these instructions are not meant to cover all possible problems and conditions that can occur. Use common sense and caution when installing, maintaining or operating this or any other appliance.
- Always contact the Dacor Customer Service Team about problems and conditions that you don't understand. See **Customer Service Information**.

Safety Symbols and Labels

DANGER

Immediate hazards that **WILL** result in severe personal injury or death.

WARNING

Hazards or unsafe practices that **COULD** result in severe personal injury or death.

CAUTION

Hazards or unsafe practices that **COULD** result in minor personal injury or property damage.

DANGER

To avoid the possibility of explosion or fire, do not store or use combustible, flammable or explosive vapors and liquids (such as gasoline) inside or in the vicinity of this or any other appliance. Do not store flammable or explosive materials in adjacent cabinets or areas.

WARNING

A qualified technician must complete the installation of this built-in appliance. The owner is responsible to make sure the dishwasher is properly installed. Improper connection of the electrical wiring may create an electric shock or fire hazard and may result in damage to the dishwasher's electrical system.

READ AND SAVE THESE INSTRUCTIONS

Important Safety Instructions

General Safety Precautions

WARNING - To reduce the risk of fire, electric shock, serious injury or death when using your appliance, follow basic safety precautions, including the following:

WARNING

- Use this dishwasher only for its intended purpose as outlined in the use and care manual. It is not intended for commercial use. Read the use and care manual completely before use.
- Do not install or operate this dishwasher if it has been damaged, dropped, has damaged electrical wires or is not working properly. If you receive a damaged product, immediately contact your dealer or builder.
- Keep all packaging materials away from children. Plastic bags and sheets can cause suffocation.
- To prevent child entrapment, always remove the door from an old dishwasher when removing it from service. Leave the racks in place. Cut the prongs off of the power cord. Cut off the power cord completely and discard.
- To avoid personal injury or property damage, this dishwasher must be installed in a completely enclosed cabinet according to these installation instructions.
- All installation work, plumbing connections and electrical wiring must be performed in accordance with all applicable codes and standards.
- Install or locate this appliance only in accordance with these installation instructions.
- The installer must show the customer the location of the electrical outlet or circuit breaker panel so that the customer knows where and how to disconnect power.
- Before installing or servicing the dishwasher, disconnect the power plug from the electrical outlet or turn off power at the circuit breaker.
- To prevent personal injury and damage to the unit due to it tipping over, do not push down on the door anytime it is open. To reduce the chance of tipping, attach the anti-tip brackets to the cabinet before use.
- The customer should not install, repair or replace any part of the dishwasher unless specifically recommended in the literature accompanying it. A qualified service technician should perform all other service. Contact the nearest Dacor authorized service representative for examination, repair or adjustment.

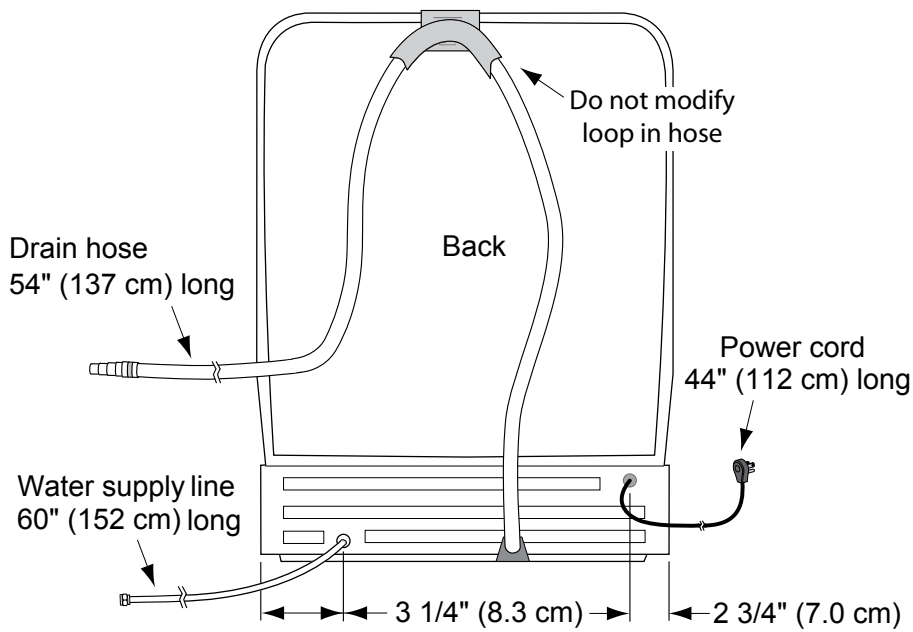
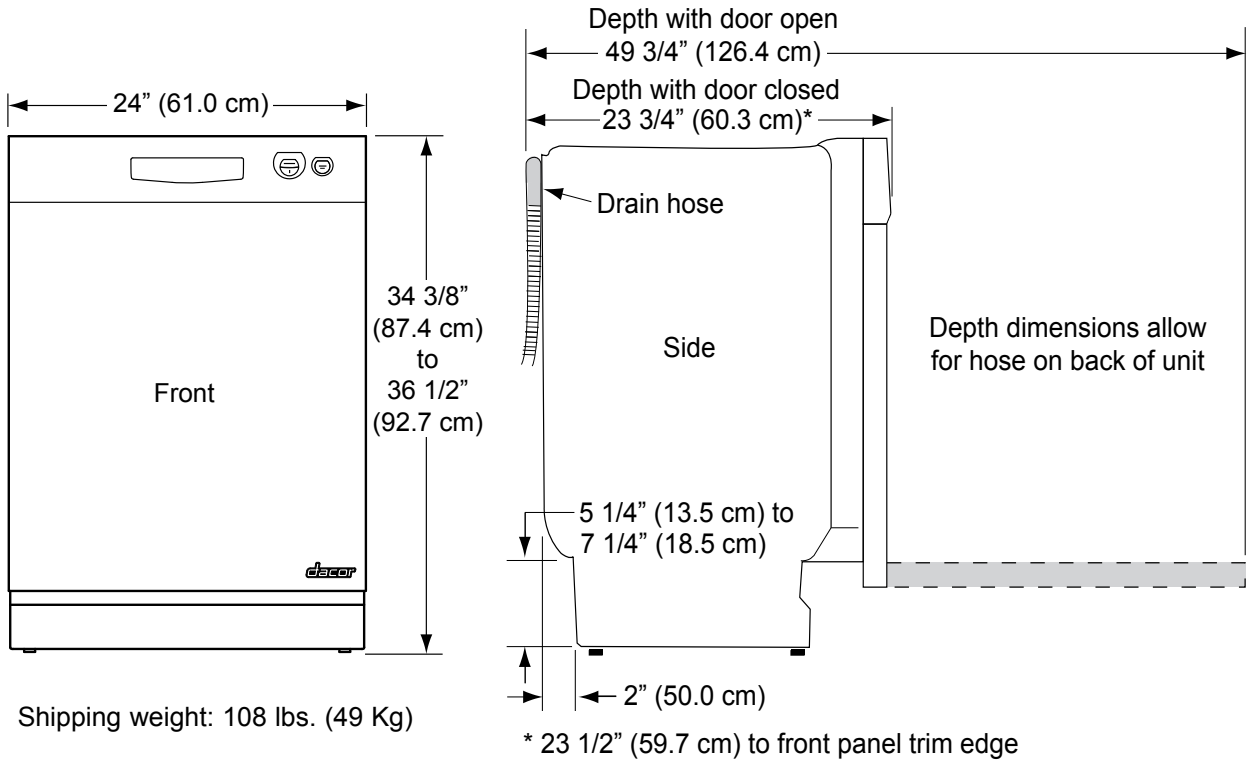
WARNING

- Do not tamper with the controls.
- This appliance is designed for installation by more than one person. To avoid personal injury, do not attempt to move or lift the dishwasher without assistance.
- Do not leave children alone or unattended in the area where the dishwasher is in use.
- Use only detergents and rinse aids recommended for use in a residential dishwasher. Keep them out of the reach of children.
- Never allow anyone, including children, to sit or stand on any part of the dishwasher. Stepping or sitting on any part of it may result in tipping, damage and serious injury.
- If the dishwasher drain outlet is connected to a garbage disposer, make sure the disposer is completely empty before running the dishwasher.
- Do not operate the dishwasher without the door completely closed and all enclosure panels properly in place.
- Many surfaces within the dishwasher can achieve high temperatures. Do not touch interior surfaces or items inside the dishwasher during or immediately after use. Exercise caution when opening the door. Let hot air and steam escape before looking or reaching inside.
- During loading, insert all sharp or pointed objects with the handles up. Locate these items where they will not damage the door seal or cause personal injury.
- To avoid damage to the racks, do not let sharp edges come into contact with them.
- Under certain conditions hydrogen gas may be produced in a hot water system that has not been used for two weeks or more. Hydrogen gas is explosive. If the hot water system has not been used for a period of time, turn on all hot water faucets and let the water flow for several minutes to release any accumulated hydrogen gas. Do not smoke or use an open flame during this process.
- To prevent household mold and mildew damage, periodically check the inlet and drain hoses for leaks.

Product Specifications

Product Dimensions

Product tolerances: $\pm 1/16"$ (± 1.6 mm)



Utility Connection Dimensions

Preparing for Installation

WARNING

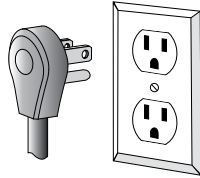
Observe all governing codes and ordinances during planning and installation. Contact your local building department for further information.

Electrical Specifications

WARNING

Electrical and grounding connections must comply with the applicable portions of the national electrical code and/or other local electrical codes.

The dishwasher comes with an electrical cord with a three prong grounding plug for 120 volts, 15 amp supplied. This cord should be plugged only into a 120 volt, three prong, grounding electrical outlet located to either side of the dishwasher cutout.



If the cord is not long enough, or if a hard-wire installation is needed, follow instructions on page 9.

Electrical Requirements

Electrical Circuit Requirements	15 Amp. 120 Vac, 60 Hz. dedicated, grounded, circuit.
Total Connected Load	11 Amp. @ 120 Vac, 60 Hz.*

* For reference only. For exact specifications see the product data label, located inside the right door jamb.

Grounding Instructions for a Cord-Connected Appliance

This appliance must be grounded. In the event of a malfunction or breakdown, grounding will reduce the risk of electric shock by providing a path of least resistance for electric current. This appliance is equipped with a cord having an equipment-grounding conductor and a grounding plug. The plug must be plugged into an appropriate outlet that is installed and grounded in accordance with all local codes and ordinances.

WARNING

- Improper connection of the equipment-grounding conductor can result in a risk of electric shock. Check with a qualified electrician or service representative if you are in doubt whether the appliance is properly grounded. Do not modify the plug provided with the appliance, if it will not fit the outlet, have a proper outlet installed by a qualified electrician.
- Do not use an extension cord for this appliance.

Grounding Instructions for a Permanently-Connected Appliance

This unit must be grounded to operate properly. It must be connected to a grounded metal, permanent wiring system, or an equipment-grounding conductor must be run with the circuit conductors and connected to the equipment-grounding terminal or lead of the appliance.

Damage to the dishwasher could occur if it is not properly grounded.

A three conductor electrical cable or conduit meeting local codes and ordinances is required. A UL listed strain relief is required if nonmetallic cable is used. Suggested color coding: Black, white and green.

Circuit Requirements

The wiring from the electrical outlet or junction box shall be connected to a circuit protected by a 15 Amp. circuit breaker or time delay fuse, installed by a licensed electrician.

Water Supply Specifications

- The dishwasher can be connected to a cold or hot water supply (maximum 140°F, 60°C). However, Dacor recommends connection to a cold water supply. If a cold water supply is used, the washing times will be longer but the performance will not be affected.
- The water supply pressure must be between 4.2 and 125 p.s.i. (30 - 862 kPa). The water supply line and the shut-off valve must supply a flow volume of at least 3 gallons (12 liters) per minute.
- Install a 3/8" water supply valve for connection to the dishwasher's water supply line in a location where it is easily accessible after the dishwasher is installed.
- The dishwasher water supply line is equipped with a 3/8" (10 mm) NPT female compression fitting on the end.

Preparing for Installation

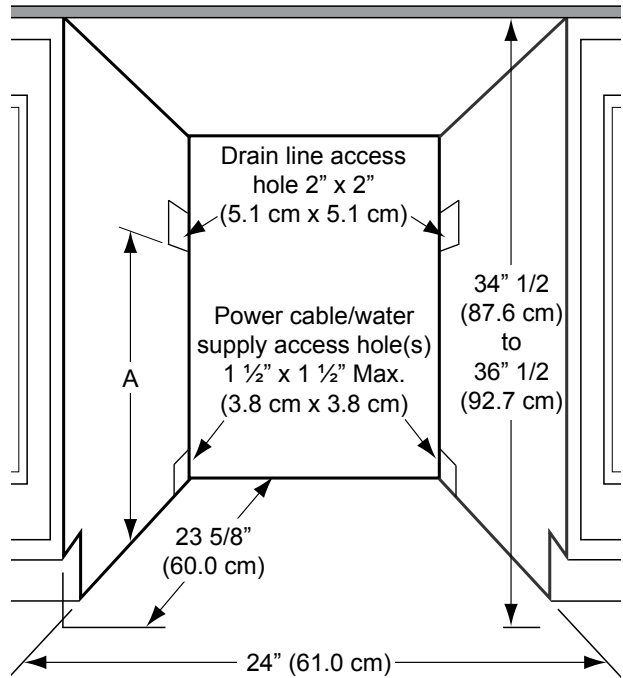
Preparing the Location

WARNING

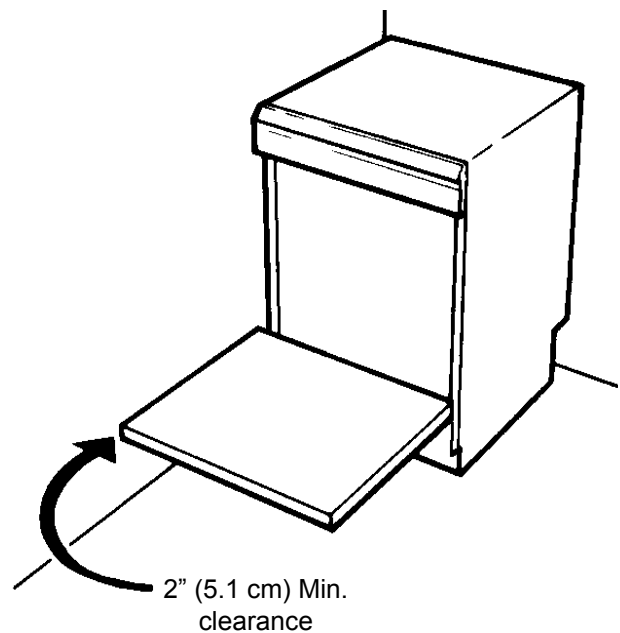
Follow all cabinet dimensions shown to insure safe operation. All minimum product dimensions must be met or exceeded (see page 3). Dimensions shown provide the required clearances.

- The cabinet must enclose the dishwasher on the top, back and both sides.
- Carefully check the location where the dishwasher is to be installed. Put it in a location with convenient access, close to the kitchen sink for easy water supply and drain connection. The electrical outlet or junction box must meet the **Electrical Specifications** on page 4. The electrical service must also be installed close by in a cabinet adjacent to the location selected so that the power cable can be disconnected without removing the appliance from the cutout.
- The opening through the partition between the water supply valve/electrical service location and the dishwasher cabinet cutout shall be located near the floor and shall be large enough for the water supply line and power plug to pass through. The longest dimension of the opening shall not be more than 1 1/2" (3.8 cm). If the partition is wood, the edges of the opening shall be smooth and rounded. If the partition is metal, the edges of the opening shall be covered with an edge protector. Call Dacor for the part number of an approved edge protector.
- The opening (A) through the partition between the drain connection and the dishwasher cutout must be higher than the disposer or waste tee connection (see page 6) and lower than 30" (76 cm). If the partition is wood, the edges of the opening shall be smooth and rounded. If the partition is metal, the edges of the opening shall be covered with an edge protector.
- Plan the installation so that the appliance can be removed easily if service is required.
- If the dishwasher is installed in a corner, there must be a minimum clearance of 2" (5.1 cm) from the side wall so the door can open. See diagram, right.
- The floor must be solid, level and all cutout surfaces must be at right angles. In the interest of safety, the surrounding cabinet must have sufficient material for attachment of the anti-tip brackets (reference page 13).

Cutout tolerances: +1/16", -0, (+1.6 mm, -0)



Dishwasher Cutout - Front View



Minimum Door Clearance

Preparing for Installation

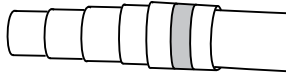
Preparing the Drain

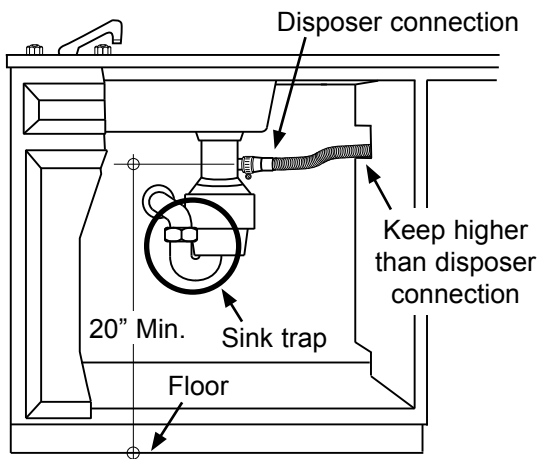
CAUTION

Keep the factory installed high loop drain hose in place to ensure proper dishwasher operation. Do not modify or move the mounting bracket in any manner. If it is necessary to lengthen the hose, install an aftermarket drain extension kit, available at most home improvement stores.

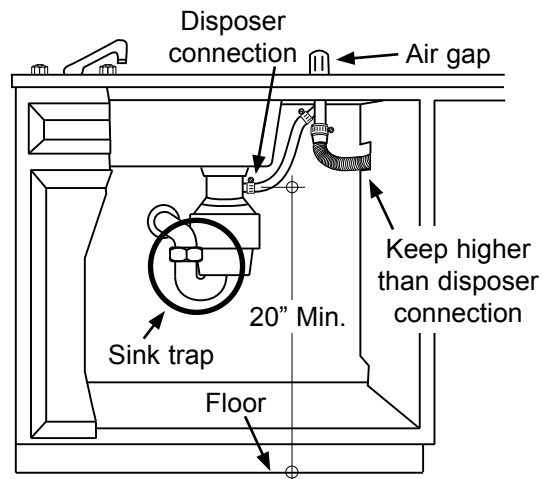
IMPORTANT: Should a drain hose longer than the one provided be required, use a hose extension approved for detergents and high temperature water. The drain hose supplied with the dishwasher meets an AHAM DW-1 test standard. Total drain hose length must not exceed 14 ft. 9 in. (450 cm) in length from the top of the drain loop on the back of the unit. Joints and joint tubes must have a minimum inside diameter of 5/8" (1.6 cm).

- The drain hose supplied with the dishwasher must be connected to a minimum 1/2 in. inside diameter drain connection.

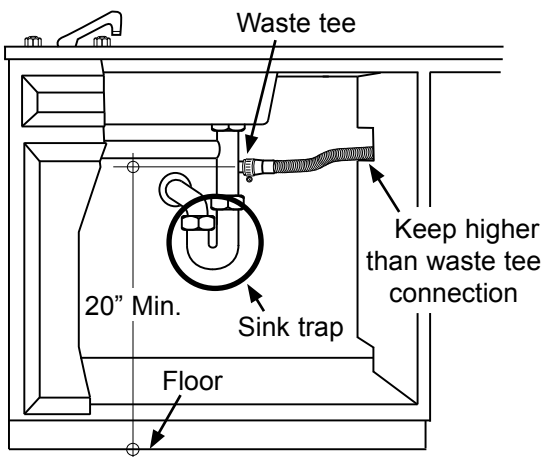
- The drain hose is equipped with a cone-shaped connector on the end that is ready to be cut to the desired drain connection size. Only a clamp (not provided) is required. It fits drain connections with an internal diameter of 1/2, 5/8, 23/32 and 7/8 inches (1.3, 1.6, 1.8 and 2.2 cm). 
- You must install an air gap in the drain system if required by local codes. Plan for the air gap in the sink or countertop area adjacent to the dishwasher. A section of drain hose (not provided) needs to be installed from the air gap to the waste disposer inlet or waste tee.
- If an air gap is not required, the drain hose must be installed to a disposer inlet or waste tee above the drain trap in the household plumbing.
- The drain connection must be a minimum of 20" (50.8 cm) above the floor.
- No part of the drain hose can be lower than the disposer or waste tee connection or higher than 37 1/2" (95.0 cm) above the floor.



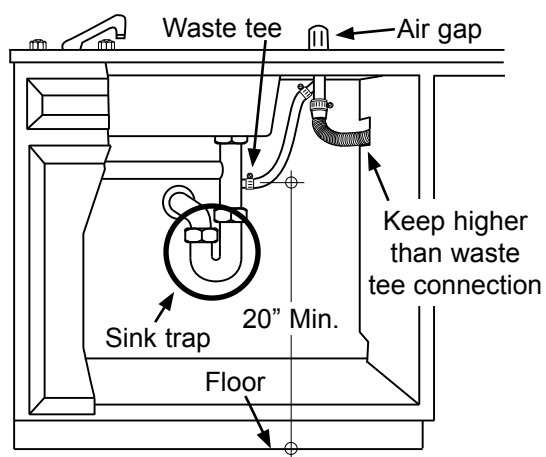
Disposer Installation without Air Gap



Disposer Installation with Air Gap



Waste Tee Installation without Air Gap



Waste Tee Installation with Air Gap

Installation Instructions

Verify the Package Contents

- Remove all styrofoam and plastic wrap from the dishwasher. Be sure to remove the toe kick and toe kick insulation from the top of the dishwasher packaging. With the assistance of at least one person, remove the dishwasher from the shipping pallet. Place the unit to the side of the cabinet opening.
- Remove the "O" ring attached to the water line in a plastic bag. Set it aside for use during the **Water Line Connection**.
- Remove all of the packing materials from inside and outside of the unit. **DO NOT** allow any of the shipping materials, loose screws or plastic to remain inside.
- Verify that all required components have been provided. Inspect the unit for shipping damage (including cosmetic damage). If any item is missing or damaged, please contact the dealer immediately. Do not install a damaged or incomplete appliance.

Included

- A** Toe kick
- B** Mounting hardware
(2 screws, 2 spacers, 2 plastic plugs)
- C** Plastic feet (3)
- D** O ring (comes attached to the water line)
- E** Product literature

Tools required for installation

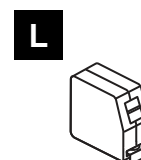
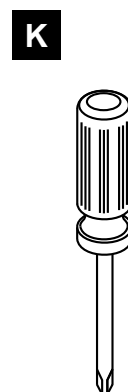
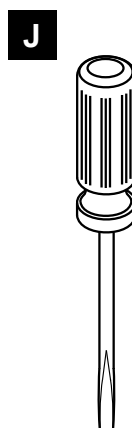
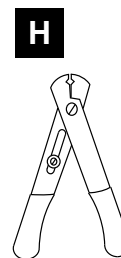
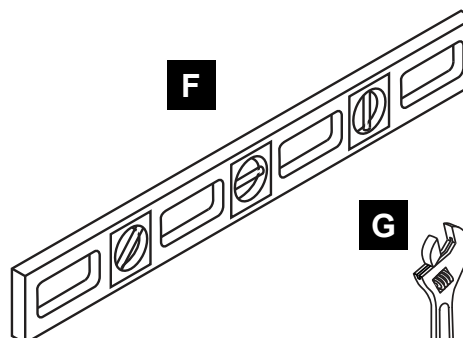
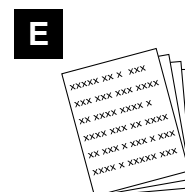
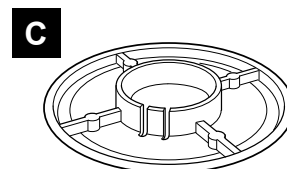
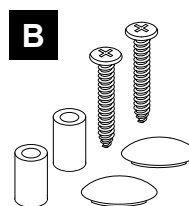
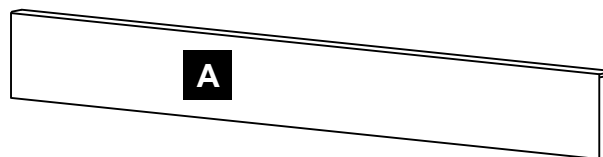
- F** Level
- G** Crescent wrench
- H** Wire strippers (permanent electrical connections only)
- J** Flat blade screwdriver
- K** Phillips screwdriver
- L** Tape measure

Materials required for installation (not provided)

- M** Hose clamp (select the correct size clamp for the drain connection...see facing page)

Additional hose and clamps may be required for installation of an air gap according to local code

Make sure you have everything necessary for proper installation before proceeding.



Installation Instructions

Installation Preparation

WARNING

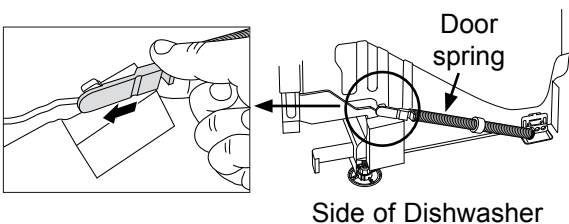
- Before working on wiring for any electrical appliance, be sure the electrical power has been turned off at the breaker/fuse box. Place a tag at the disconnect switch indicating that you are working on the circuit.
- Moving this appliance requires two people. Do not attempt to install or lift it alone.
- To prevent personal injury, wear hand protection when moving this appliance.
- Do not allow any material, including the hoses or electrical wiring to be directly behind the dishwasher while pushing it into the cutout opening. Carefully pull the slack out of both hoses and the wiring from outside the cutout during push back to prevent pinching. An electric shock hazard or water damage may result from pinched wires or hoses. Damage due to improper installation is not covered under warranty.

Adjust the Door Springs

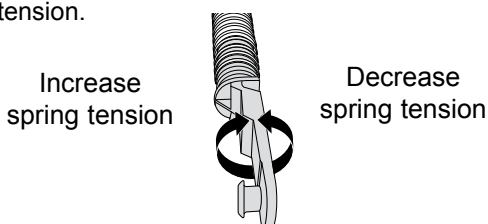
Before installation, open the door to make sure it stays open at any angle. If it tends to fall open or pull shut on its own, adjust the springs.

The door springs are on the sides of the dishwasher. If adjustment is necessary, try making small adjustments on only one side first.

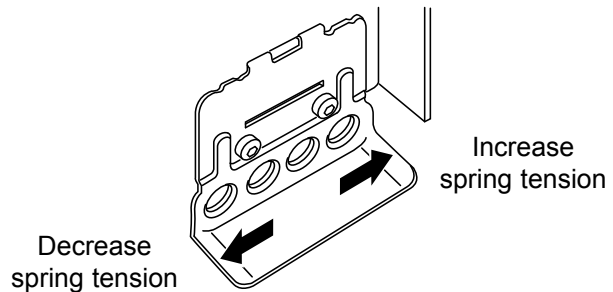
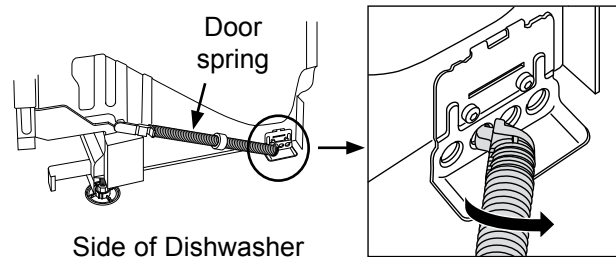
1. Be sure the door is closed.
2. Grab the front end of the spring and pull it up and forward to release it from the forward mount.



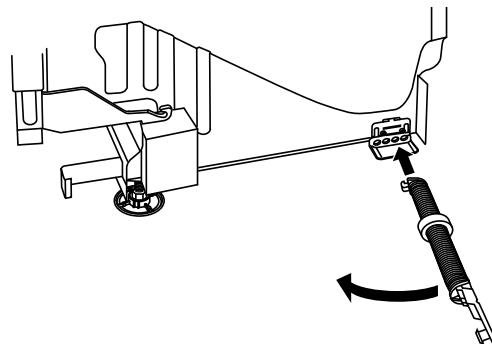
3. To make small tension adjustments to the spring, hold the back end of the spring with one hand and turn the front part one or more times. Turn it clockwise to increase spring tension, counterclockwise to reduce spring tension.



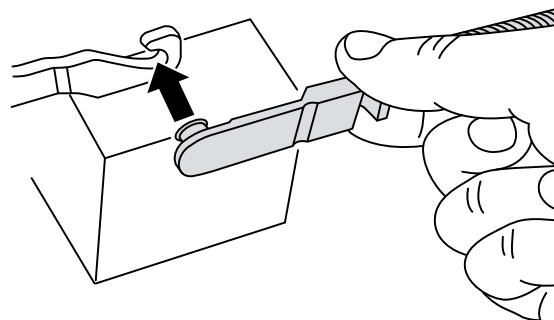
4. To make larger tension adjustments to the door springs, remove the back of the springs from the dishwasher by turning them outwards. Move them one hole farther back or forward, then make small adjustments as outlined in step 3 as necessary.



5. To reinstall the back end of the spring, hold it at a right angle to the side of the dishwasher and push the end into the hole, then turn the spring in, toward the front of the dishwasher.



6. Reattach the front end of the spring by pulling it up and forward to fasten it in the mount.



7. Open the door and check the spring tension again. If necessary, make further adjustments.

Installation Instructions

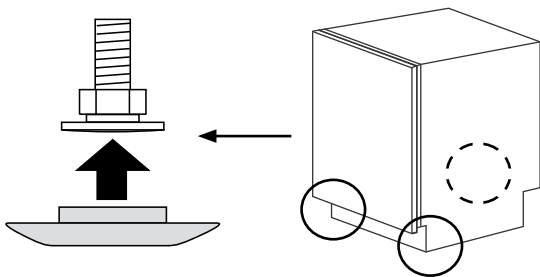
Level the Dishwasher

CAUTION

A level unit is very important to proper operation. Be sure to level the unit front to back and side to side.

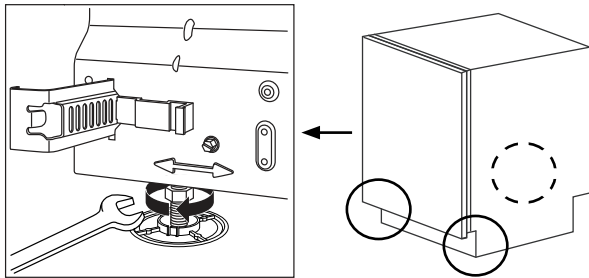
The unit comes with white plastic feet for the legs to protect the kitchen floor from being damaged when you slide the unit into place. They snap onto the bottom of all three legs. Install them before leveling the appliance.

Do not attach the plastic feet if the installation space is the minimum required height.

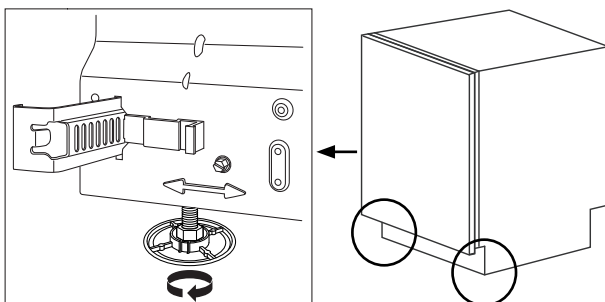


To level the dishwasher:

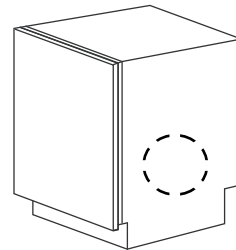
1. Loosen the retaining nuts on the dishwasher's three steel feet using a crescent wrench. Turn the nuts until they are as close to the floor as possible.



2. Measure the height of the front and back of the cutout with a tape measure.
3. Adjust the feet, until the front of the dishwasher measures 1/8" (3 mm) shorter than the cutout height.



4. Open the door and pull the bottom rack out of the dishwasher. Check to make sure the dishwasher floor is level left to right using a level. Adjust the front legs as necessary.
5. Adjust the rear leg until the floor of the dishwasher is level front to back.



6. Tighten the rear retaining nut, but leave the front retaining nuts loose to allow for final leveling after the unit is pushed into place.

Connecting the Electric Cable

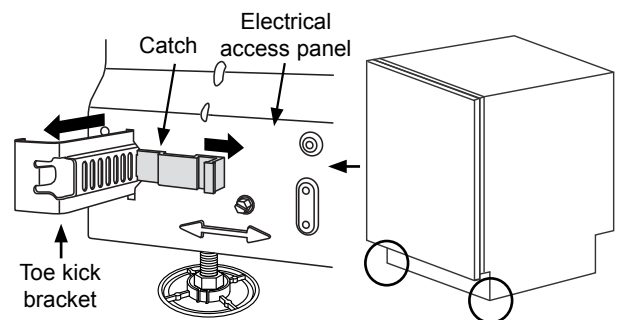
Permanently Connected Appliance Only:

If the cord is not long enough, or if a hard-wire installation is needed, follow the steps below to complete the electrical connection. Otherwise skip to **Installing the Unit in the Cabinet**. **NOTE:** When doing a hard-wire installation, you must remove the supplied power cord.

WARNING

- Before starting this procedure, be sure the power is turned off at the breaker/fuse box.
- Make sure the water supply line, drain line and outside of the electrical cable do not touch any exposed terminals of the dishwasher wiring.

1. Remove the toe kick brackets from the front of the electrical access panel, below the door.



2. Remove the electrical access panel.
3. Disconnect the factory installed power cord from the terminal block and ground connection screw inside the access panel. Remove the cord.

Continued...

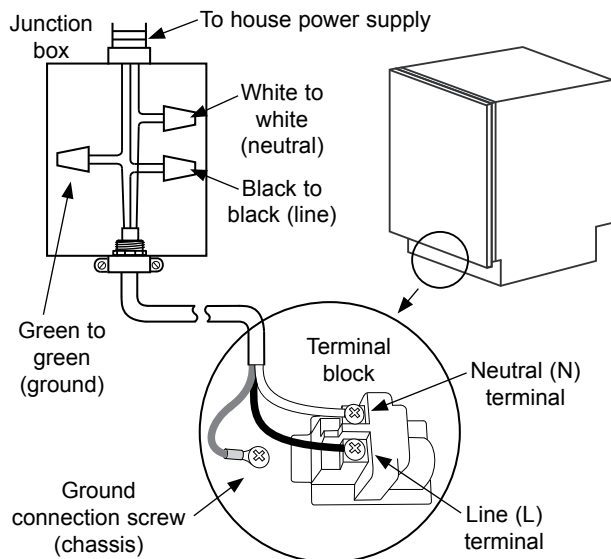
Terminal block location

Installation Instructions

Connecting the Electric Cable (Cont.)

(Permanently Connected Appliance Only)

4. If a nonmetallic cable is being used, install a UL-listed strain relief bushing on the back of the dishwasher.
5. Connect the white wire on the cable to the "N" terminal on the dishwasher terminal block as shown below.
6. Connect the black wire on the cable to the "L" terminal on the terminal block.
7. Connect the ground (green) wire on the cable using a loop or spade terminal to the ground connection screw located on the dishwasher chassis.

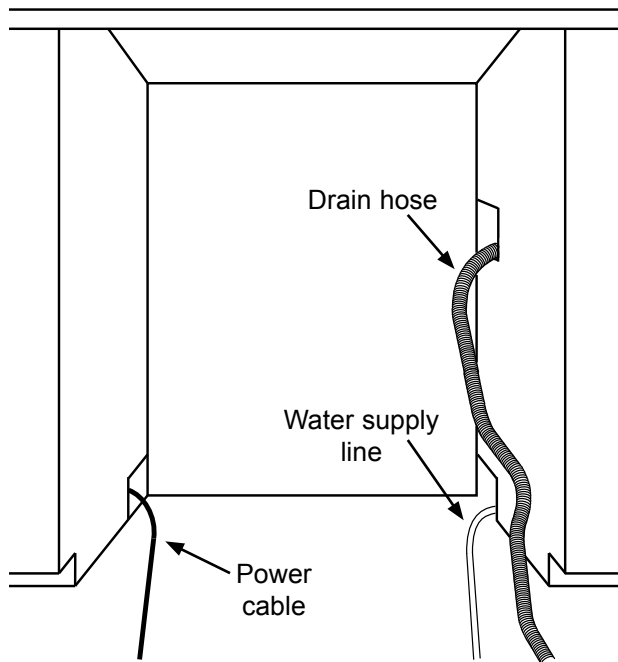


Permanent Wiring Connection

8. Re-install the electrical access panel and the toe kick brackets.

Installing the Unit in the Cabinet

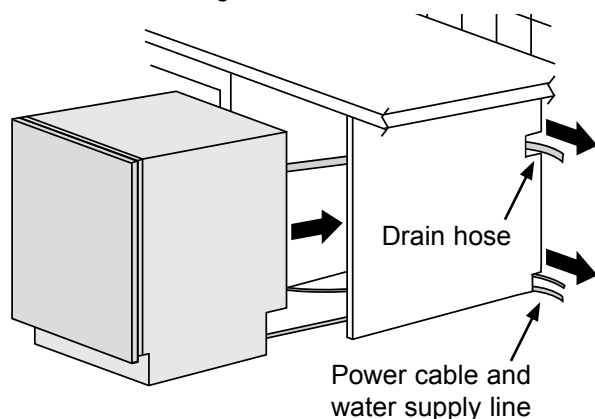
1. Position the dishwasher in front of the cabinet opening.
2. Before sliding the unit into the cutout, make sure the drain hose, water supply line and power cable are positioned in the utility cutouts as shown below. Make sure each is routed to the side it will be connected.



⚠ WARNING

Exercise care when installing or removing the dishwasher to reduce the likelihood of damage to the power supply cable.

3. Slowly and gently slide the unit into the dishwasher opening. As you do this, have someone gently pull the drain hose, water supply line and power cable through the access holes into the adjacent cabinets. Exercise care to make sure that the wiring and plumbing lines do not become damaged.



Installation Instructions

- Once the dishwasher is in place check to make sure all slack is pulled out of the power cable, water supply line and drain hose. Check to make sure none of them are pinched or kinked.

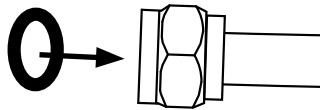
NOTE: Do not attach the mounting screws until after *Verifying Operation*.

Water Line Connection

CAUTION

The unit has a float switch in the base pan to protect against flooding. If the inlet valve connection is not seated properly, water may leak into the base pan and activate the float switch.

- Before connecting the water supply, line make sure the water pressure and flow rate meet the specification on page 4.
- Flush the water supply line prior to connecting it to the dishwasher's water supply line.
- Insert the provided "O" ring in the end of the water supply line. Make sure it is evenly seated on the end of the tubing.
- Connect the end of the water supply line to the water line. Tighten the connection by hand plus a quarter turn with a crescent wrench.

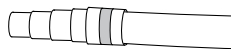


Drain Line Connection

CAUTION

- For proper dishwasher operation and drainage, the drain line must be routed through the bottom of the cabinet and up to the drain or air gap connection. The drain hose or air gap outlet must connect above the sink trap.
- If required, the air gap must be installed at countertop level.

- If the drain will connect to a waste disposer, see the disposer manufacturer's installation instructions for correct drain hose mounting techniques. Most disposers have a plug on the drain line connection that must be removed prior to attaching the drain line. Also, any joints must have a minimum 5/8" (1.6 cm) inside diameter.
- Cut the drain hose adapter on the end of the drain hose to the appropriate size for the air gap, waste tee, disposer connection or hose extension.



- Connect the drain hose to the air gap or directly to the waste tee or disposer above the sink trap as shown in one of the examples on page 6.
- Tighten the holding clamp.
- For installations with an air gap, make sure that the drain line between the air gap and the waste tee or disposer is in place and that it is clamped tightly on both ends.
- To ensure proper operation, inspect the drain system to make sure that:
 - No part of the drain hose is higher than 35" (88.9 cm) from the bottom of the dishwasher.
 - The connection to the waste tee or disposer is a minimum of 20" (50.8 cm) above the bottom of the dishwasher base.

Verifying Operation

Pre-verification Check List

- Confirm that the power to the dishwasher is shut off at the circuit breaker panel.
- Make sure all packing material has been removed from inside the dishwasher.
- Familiarize yourself with operation of the dishwasher by reading the use and care manual.
- Remove any protective film, if present from the control panel, door panel, etc.
- Check again that the entire length of the power cable, water line and drain hose are free of pinches or kinks.
- Verify that the dishwasher is level front to back and side to side inside the cutout. Re-level if necessary before testing the unit.

Wet Test Checklist

- Turn on the water supply and wait for five minutes. Check for plumbing leaks. Tighten connections if necessary. **NOTE:** Improper installation of the water supply line "O" ring can cause the water line to leak at the connection.
- Turn on power to the dishwasher at the circuit breaker panel or fuse box. Make sure the power cord is connected to the electrical outlet (if applicable).
- Test dishwasher operation by running a rinse cycle (which takes about four minutes). See the use and care manual for specific operating instructions. Check to make sure that the dishwasher takes in water and drains.

Continued...

Installation Instructions

4. Check for leaks under the dishwasher and under the sink. If any leaks are found, immediately push the **START/STOP** button and disconnect power. If there are leaks under the sink, check the water supply and drain connections. Reconnect power and restart the cycle. If the leak is elsewhere, and a hose extension is installed, check for a loose connection. If the leak is under the dishwasher itself, disconnect power and contact Dacor Distinctive Service (see inside cover of these instructions).
5. If the dishwasher functions normally, complete the installation as instructed on the following sections.

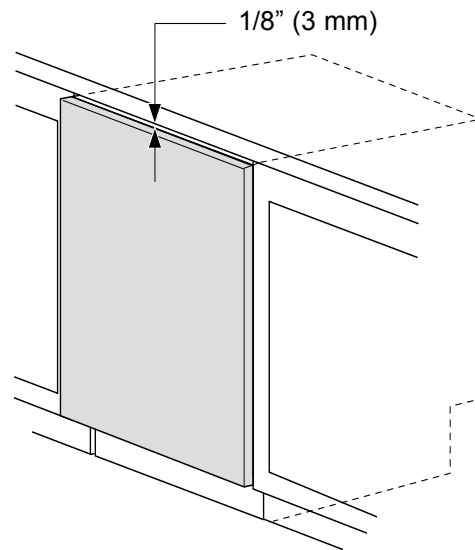
If the dishwasher fails to operate properly:

- Verify that power is supplied to the dishwasher.
- Check all plumbing connections.
- Check for kinks in the water supply line and the drain hose.
- Repeat the **Wet Test Checklist**.
- If the appliance still does not work, contact Dacor Distinctive Service at (877) 337-3226. Do not attempt to repair the appliance yourself. If you need service, be sure to have the model and serial numbers available when you call. See the inside cover for location.

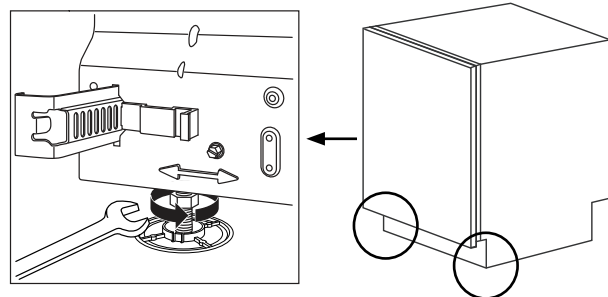
Dacor is not responsible for the cost of correcting problems caused by a faulty installation.

Final Leveling

1. Check to make sure that adjacent drawers and cupboards can be opened when the dishwasher door is open. Reposition the dishwasher if necessary.
2. Check that there is a 1/8" (3 mm) space between the top of the dishwasher door and the underside of the cabinet.



3. If necessary adjust the front leveling legs until the dishwasher is the correct height. Use a screwdriver to adjust the rear leg adjustment screw. Both front legs must contact the floor solidly.
4. Check to make sure the unit is level side to side and front to back. Also check to make sure both front legs are contacting the floor securely. Readjust the leveling legs as necessary. **NOTE:** The unit may have an inclination of 3/16" (5 mm) maximum without affecting performance.
5. Once level, hand tighten the front leg retaining nuts into place. Tighten them into place using a crescent wrench.



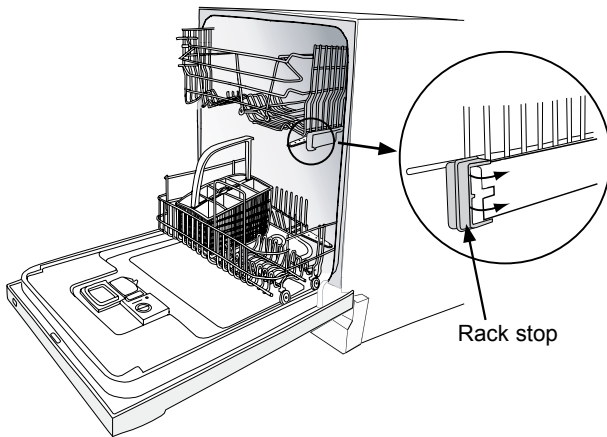
Installation Instructions

Attaching the Anti-tip Brackets

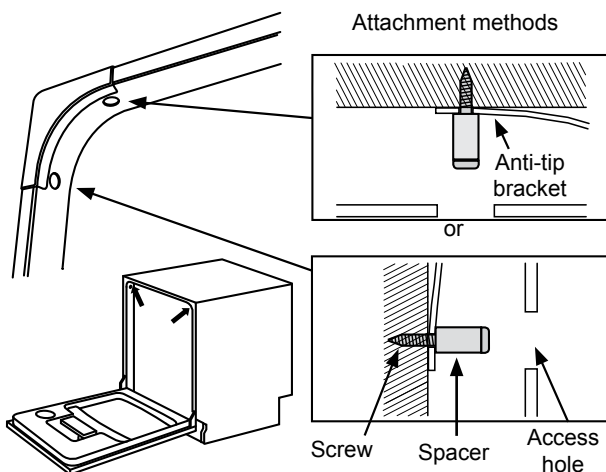
CAUTION

Make sure to anchor one anti-tip bracket on each side of the dishwasher.

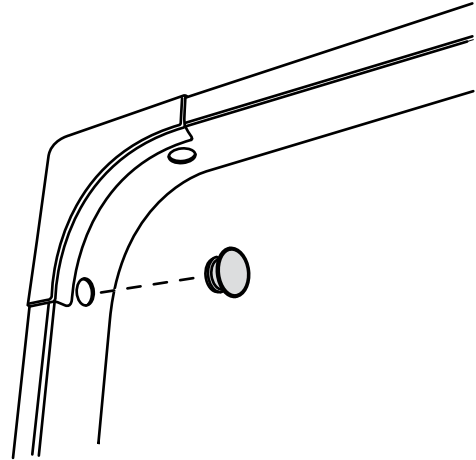
1. The anti-tip brackets protect against possible tipping caused by heavy bottom rack loads on the door. Use only the stainless steel screws provided with the machine.
2. Open the door and remove the top rack. Pull the rack out. Turn both rack stops outwards on the rack mounting rails (see diagram). Pull the rack toward you to remove.



3. The anti-tip brackets may be secured either through the top or the sides. Installations with a hard material (like granite) may require attachment through the sides.
4. When installing the screws, place the included spacer over the screw. Insert the screws into the holes in the anti-tip brackets through the access holes in the top or sides of the door jamb as shown below. Tighten the screws in place.



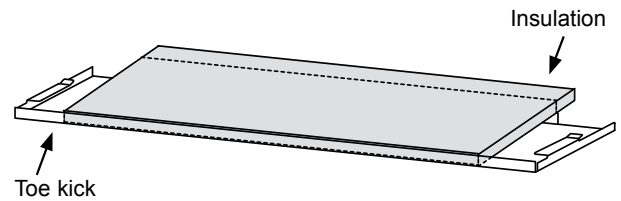
5. Cover the screw holes on the sides with the supplied plastic plugs. Push in the plugs diagonally to fit them in place.



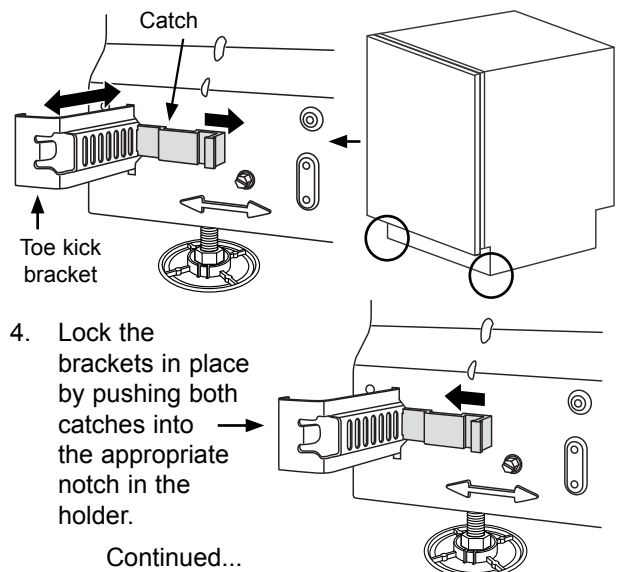
6. Replace the top rack.

Installing the Toe Kick

1. Attach the supplied sound insulation material to the back of the toe kick.



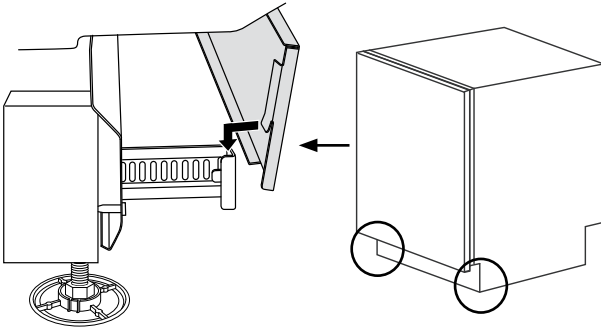
2. Loosen the brackets for the toe kick by moving the gray catches toward the center of the dishwasher.
3. Adjust the brackets (pull out or push in) until they are flush with the kitchen toe kick on both sides as shown below.



4. Lock the brackets in place by pushing both catches into the appropriate notch in the holder.

Installation Instructions

5. Hang the toe kick on the brackets as shown. Check to make sure that the toe kick is even with the kitchen cabinet toe kick. If necessary, remove the toe kick and readjust the brackets.



Installation Checklist

WARNING

- To ensure a safe and proper installation, the following checklist should be completed by the installer to ensure that no part of the installation has been overlooked and the unit is working properly.
- Proper installation is the responsibility of the homeowner. The importance of proper installation of your Dacor dishwasher cannot be overemphasized.

- Has the unit been inspected for cosmetic damage?
- Has all packaging and literature been removed from the dishwasher?
- Is the power cable connected to a three prong grounded electrical outlet or grounded junction box that meets the electrical specifications?
- Has the "O" ring been installed on the water supply line?
- Have the water supply line and the drain hose been properly installed according to specifications?
- Has the unit been properly leveled?
- Has the unit been attached to the surrounding cabinets using the anti-tip brackets?
- Has proper operation been verified?
- Have the water supply line and the drain hose been properly installed and checked for leaks?
- Has the warranty been activated on line or the warranty card filled out and mailed?

Notes

Notes

dacor[®]

The Life of the Kitchen.[®]

Item No., 80 889 19 Rev. 04

Dacor • 600 Anton Blvd. Suite 1000 Costa Mesa, CA 92626 • Phone: (800) 793-0093 • Fax: (626) 403-3130 • www.Dacor.com