

## BIM44ADA

32.0" x 14.75" x 23.5" (H x W x D)

ADA compliant, commercially approved auto defrost icemaker for built-in or freestanding use under counters

### Highlights:

32" height fits under lower ADA compliant counters

Automatic defrost saves on user maintenance

Flexible design allows built-in or freestanding use

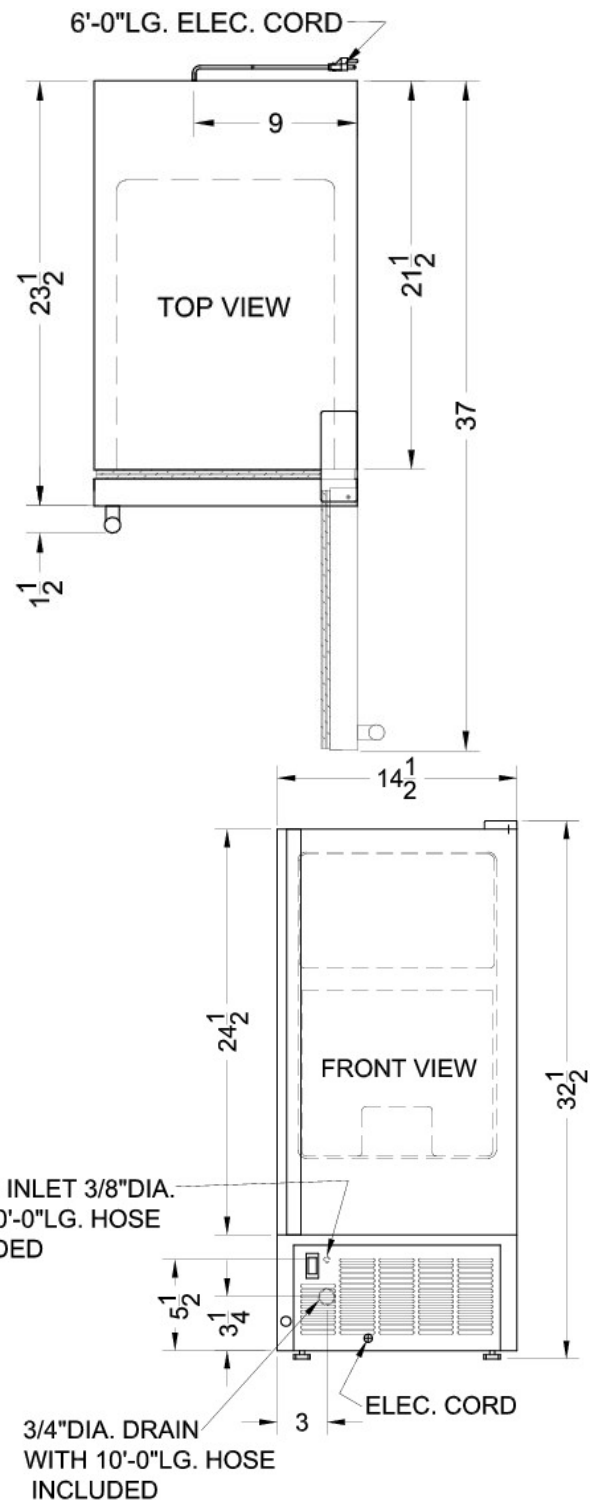
Slim 15" width fits any tight spot



ADA compliant	32 inch height fits under standard ADA counters
Commercially approved	NSF listed and CalCode compliant
Automatic defrost	Simplify appliance care by letting your icemaker defrost itself
Reversible door	Keep your options flexible with a reversible door that is easy to switch when your arrangement changes; Unit ships LHD but can be reversed in our factory or by the user
Full-length handle	Sturdy chrome handle from the top of the door to the bottom
Built-in capable	Make the best use of space by installing your icemaker under the counter and flush with other cabinets
Stainless steel door	Professional styling with lasting durability
Fully finished black cabinet	Allows the icemaker to be used as a freestanding model
Insulated storage bin	Ice stays solid longer in this cold-protected bin
Ice scoop	Included for your convenience

## Specifications:

Height	32.0"
Width	14.75"
Depth	23.5"
Ext Depth with Handle	25.0"
Interior Height 1	18.5"
Interior Width 1	12.0"
Interior Depth 1	16.0"
Shipping Weight	117.0 lbs.
Voltage/Frequency	115 V AC/60 Hz
Amps	4.8
US Electrical Safety	UL
Reversible	Yes
Door Swing	LHD
Defrost Type	Automatic
Depth with door at 90°	37.0"
Height to Hinge Cap	32.5"
Thermostat Type	Dial
Condensor Location	Rear of Unit
Low Side PSI	120.0
Freon Type	R134a
High Side PSI	350.0
Freon Oz	6.35
Compressor Warranty	5 Years
Parts/Labor Warranty	1 Year
Sanitation	NSF



Summit Appliance Division, Felix Storch, Inc.  
 770 Garrison Ave • Bronx, NY 10474  
 Phone: 718-893-3900 • Fax: 718-842-3093  
 Email: [info@summitappliance.com](mailto:info@summitappliance.com)