

SPW1103

33.5" x 23.63" x 24.0" (H x W x D)

ENERGY STAR qualified front-load washer with European design, stainless steel drum, and 1000 rpm in slim 24" width

Highlights:

ENERGY STAR qualified for lower water consumption and energy use

Front-load design maximizes convenience and minimizes energy waste

Uses less water and detergent than comparable units

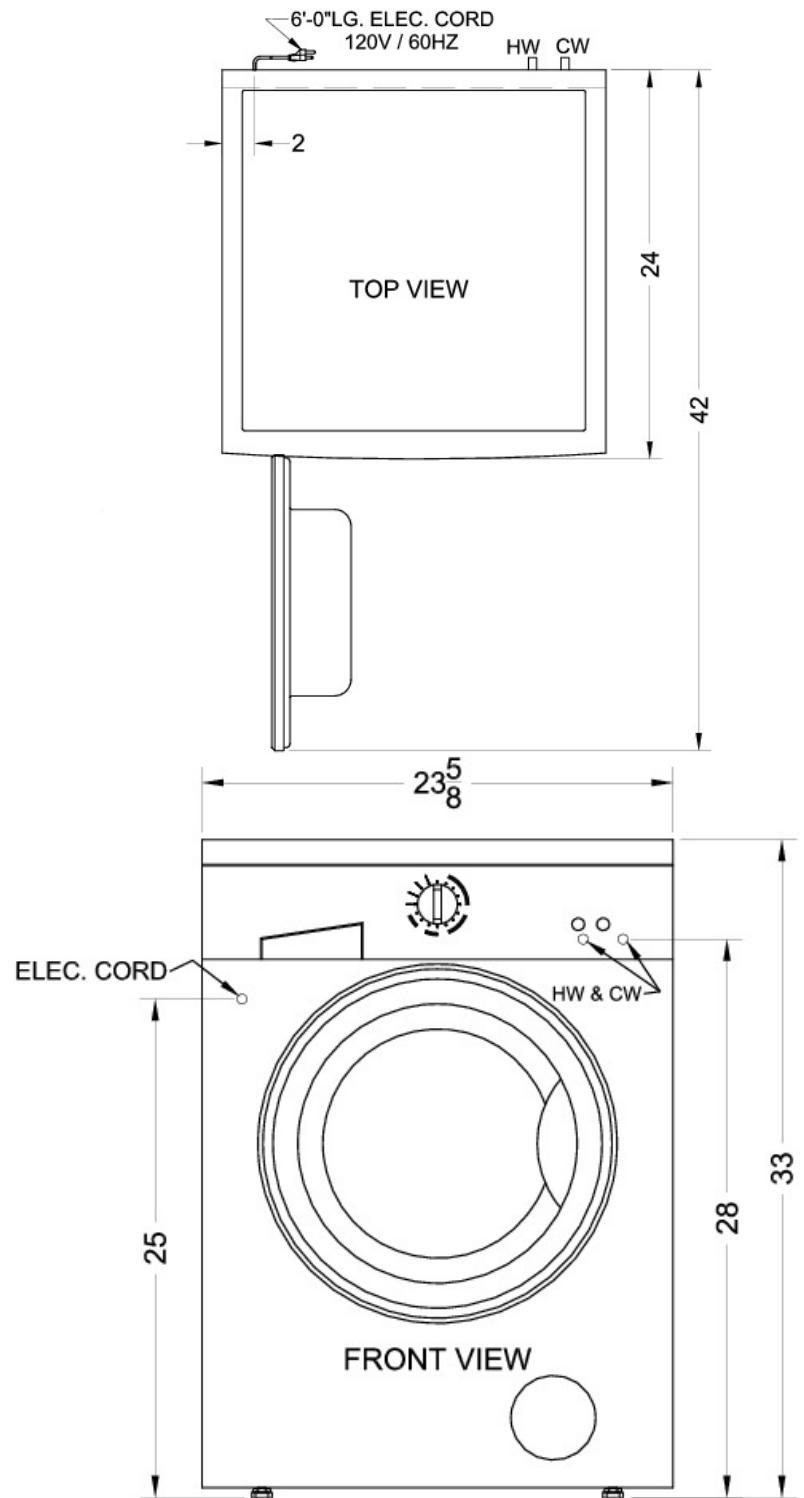
Durable stainless steel tub handles fabric with care



ENERGY STAR qualified	Rated by the DOE to perform with more efficiency than federal standards require, saving your unit energy and you on higher utility costs and water waste
Front-loading	Convenient design requires less detergent and water than typical top-loading washers
Super Silent Operation	Low noise performance with reduced vibrations
Stainless steel tub	Specially designed with textured holes for perfect spinning effect and 3D rib to drop clothes directly into the center of the tub
UseLogic® Electronics	Designed with smart technology that monitors water levels and wash temperature with sensory capability
Slim undercounter dimensions	Less than 24 inches wide to fit tight spaces
Large door opening	33cm diameter for easy loading
Adjustable water levels	Set the level you need for the proper wash without the waste
Multiple wash settings	Give your clothes the proper care with an assortment of settings for cottons, synthetics, wool, delicates, and hand wash; Dial timer
Multiple temperature settings	Adjust the temperature to the fabric style and make

Specifications:

Height	33.5"
Width	23.63"
Depth	24.0"
Shipping Weight	175.0 lbs.
Weight	135.0 lbs.
Voltage/Frequency	115 V AC/60 Hz
Canadian Electrical Safety	ULC
Energy Usage/Year	154.0 kWh/year
US Electrical Safety	UL
Style	Front Loading
Control Type	Dial
Max Drum Spin Speed	1000.0
Parts/Labor Warranty	1 Year



Summit Appliance Division, Felix Storch, Inc.
 770 Garrison Ave • Bronx, NY 10474
 Phone: 718-893-3900 • Fax: 718-842-3093
 Email: info@summitappliance.com