

ALB651L

32.0" x 23.63" x 23.5" (H x W x D)

ADA compliant built-in undercounter refrigerator-freezer with cycle defrost, lock, and customizable door for overlay or slide-in panels

Highlights:

32 inch height fits under lower ADA compliant counters

Flexible design allows built-in or freestanding use

Match your unit to its setting by customizing the door with a slide-in or full overlay panel

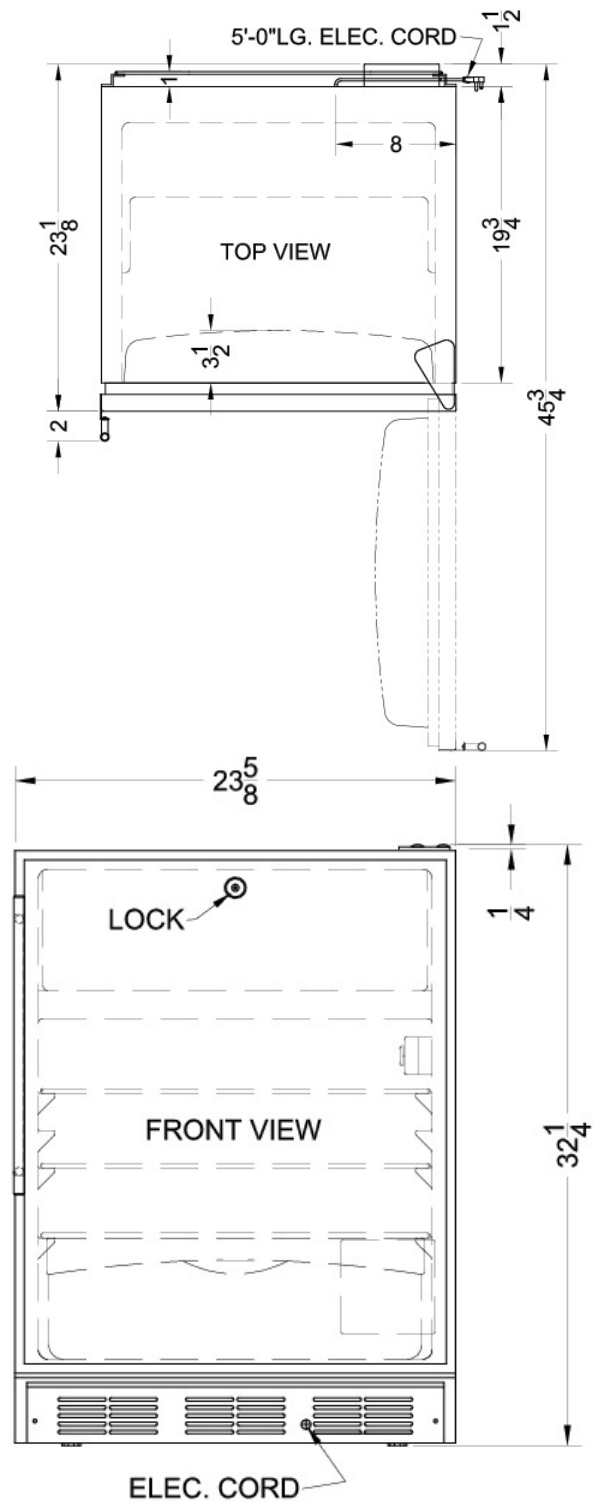
Factory-installed lock provides security you can count on



ADA compliant	32 inch height fits under standard ADA counters
Built-in capable	Make the best use of space by installing your appliance under the counter and flush with other cabinets
Fully finished white cabinet	Allows the unit to be used freestanding
Factory installed lock	Keep contents secure with a key lock on the door
Customizable door front	Choose option "IF" for our integrated door frame to mount full overlay panels over the door, or our "FR" option for a two-piece stainless steel frame with handle that accepts slide-in panels
Reversible door	Keep your options flexible with a reversible door that is easy to switch when your arrangement changes
Cycle defrost	Combines an automatic defrosting refrigerator with a manual defrost freezer to save unit energy and user maintenance
Dual evaporator	SUMMIT's unique and efficient dual evaporator separately cools the refrigerator while maintaining zero degrees in the freezer
Zero degree freezer	Keep ice cream frozen and freezer burn-free in a freezer that reaches and maintains zero degrees
Adjustable shelves	Rearrange the refrigerator space to accommodate all shapes and sizes or remove shelves for a simple clean-up

Specifications:

Height	32.0"
Width	23.63"
Depth	23.5"
Capacity	5.1 cu.ft.
Ext Depth with Handle	25.13"
Interior Height 1	19.5"
Interior Width 1	20.5"
Interior Depth 1	17.0"
Interior Height 2	5.0"
Interior Width 2	19.0"
Interior Depth 2	11.5"
Comp Step Height	7.0"
Comp Step Width	20.5"
Comp Step Depth	5.0"
Shipping Weight	107.0 lbs.
Weight	100.0 lbs.
Canadian Electrical Safety	ULC
US Electrical Safety	UL
Voltage/Frequency	115 V AC/60 Hz
Energy Usage/Year	434.0 kWh/year
Amps	1.3
Door Swing	RHD
Reversible	Yes
Crisper Quantity	1
Shelf Quantity	3
Adjustable Shelf	true
Shelf Type	Wire
Crisper Cover Type	Glass
Crisper Finish	Transparent
Full Door Shelf Quantity	3
Defrost Type	Cycle
Depth with door at 90°	45.63"
Height to Hinge Cap	32.25"
Fan Type	Exterior
Thermostat Type	Dial
Light	true
Condensor Location	Rear of Unit
High Side PSI	285.0
Level Legs Quantity	4
Freon Oz	2.6
Freon Type	R134a
Low Side PSI	70.0
Parts/Labor Warranty	1 Year
Compressor Warranty	5 Years



Summit Appliance Division, Felix Storch, Inc.
 770 Garrison Ave • Bronx, NY 10474
 Phone: 718-893-3900 • Fax: 718-842-3093
 Email: info@summitappliance.com