

Smooth surface, round edged
ceramic glass

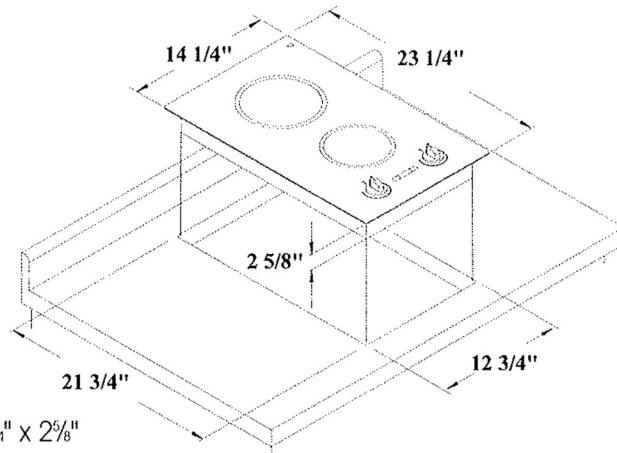
Two Burner Units

Model B49510

120 volt – 22 amp.
1 – 6½" (165mm) @1200 watts
1 – 8" (200mm) @1400 watts

Model B49511

240 volt – 12.5 amp.
1 – 6½" (165mm) @1200 watts
1 – 8" (200mm) @1800 watts



Overall Dimensions: 23 1/4" x 14 1/4" x 2 5/8"
590.6mm x 362mm x 66.7mm

Cutout Dimensions: 21 3/4" x 12 3/4" with 1/4" radius
552.5mm x 323.9mm with 6.4 radius

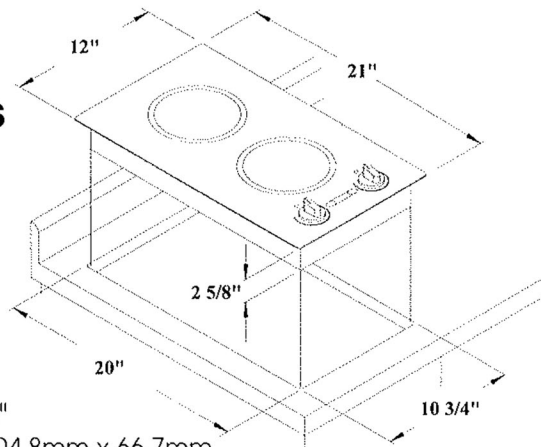
Two Burner Trimline Units

Model B49515

120 volt – 20 amp.
2 – 6½" (165mm) @1200 watts each

Model B49516

240 volt – 10amp.
2 – 6½" (165mm) @1200 watts each



Overall Dimensions: 21" x 12" x 2 5/8"
533.4mm x 304.8mm x 66.7mm

Cutout Dimensions: 20" x 10 3/4" with 1/4" radius
508mm x 273mm with 6.4 radius

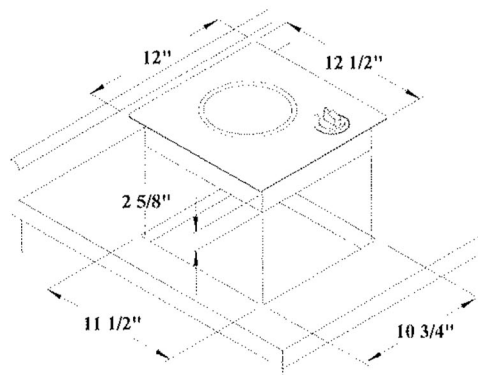
Single Burner Units

Model B49517

120 volt – 10 amp.
6½" (165mm) @1200 watts

Model B49518

240 volt – 5 amp.
6½" (165mm) @1200 watts



Overall Dimensions: 12 1/2" x 12" x 2 5/8"
317.5mm x 304.8mm x 66.7mm

Cutout Dimensions: 11 1/2" x 10 3/4" with 1/4" radius
292.1mm x 273mm with 6.4 radius