

## UF21FF

73.63" x 31.5" x 28.0" (H x W x D)

Frost-free all-freezer for household use with 20.5 cu.ft. capacity and front lock

### Highlights:

True frost-free operation saves on maintenance by preventing icy buildup

Factory installed lock provides security you can count on

Multiple door shelves offer convenient storage solutions

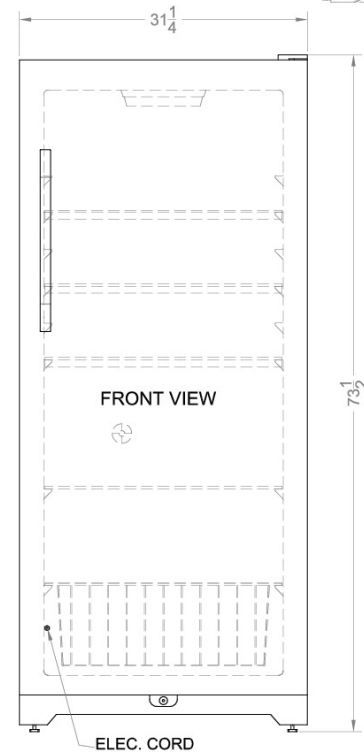
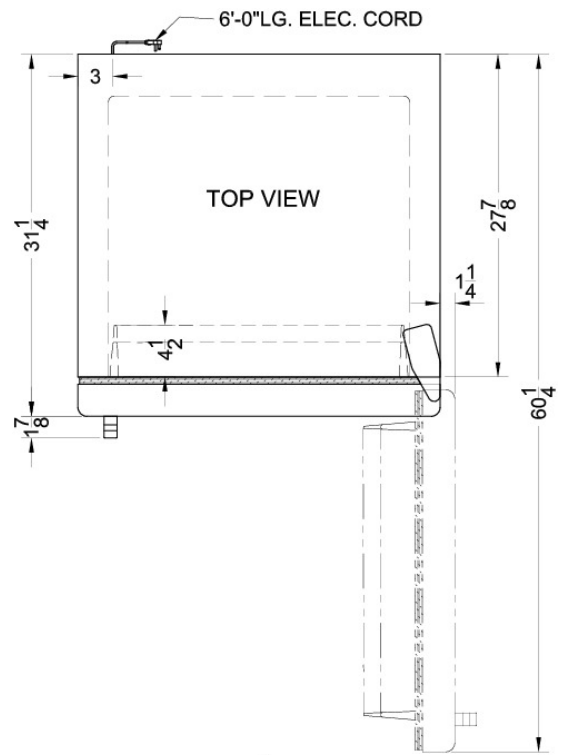
Large capacity with spacious 20.5 cu.ft. interior



Large capacity	20.5 cu.ft. of interior space
Frost-free operation	True no-frost operation that eliminates the need to ever manually defrost the interior
Factory installed lock	Keep contents secure with a front lock on the door
Reversible door	Keep your options flexible with a reversible door that is easy to switch when your arrangement changes
Adjustable shelves	Rearrange the freezer space to fit any sized item or remove shelves for simple cleanup
Door shelves	Six racks for convenient storage on the door
Storage basket	Lower wire drawer for additional organizing of stored contents
Interior light	Automatically illuminates when the door is opened
Adjustable thermostat	Manage the temperature with ease and accuracy
100% CFC free	Environmentally friendly design does not contain ozone-damaging chemicals

# Specifications:

Height	73.63"
Width	31.5"
Depth	28.0"
Capacity	20.5 cu.ft.
US Electrical Safety	UL
Voltage/Frequency	115 V AC/60 Hz
Canadian Electrical Safety	ULC
Door Swing	RHD
Reversible	Yes
Shelf Quantity	4
Adjustable Shelf	true
Shelf Type	Wire
Full Door Shelf Quantity	6
Can Storage	true
Gallon Storage	true
Defrost Type	Frost-Free
Thermostat Type	Dial
Light	true
Condensor Location	Side of Unit
Freon Type	R134a
Parts/Labor Warranty	1 Year
Compressor Warranty	5 Years



Summit Appliance Division, Felix Storch, Inc.  
 770 Garrison Ave • Bronx, NY 10474  
 Phone: 718-893-3900 • Fax: 718-842-3093  
 Email: [info@summitappliance.com](mailto:info@summitappliance.com)