



Installation Instructions

Millennia™ Cooktops

Models: ETT304-1, ETT365-2, MET304 and METB365-1

SAVE AND READ THESE INSTRUCTIONS

TESTED IN ACCORDANCE WITH THE LATEST EDITION OF ANSI Z21.1 AND U.L. 858 STANDARD FOR HOUSEHOLD COOKING APPLIANCES.

CONVENTIONS USED IN THESE INSTRUCTIONS



WARNINGS:

Must be followed carefully to avoid personal injury or damage.



NOTES:

Contain helpful hints and tips to facilitate the installation.

IMPORTANT

1. Before beginning installation, please thoroughly read and become familiar with these instructions.
2. Installation and service must be completed by a qualified installer or service agency.
3. Installer: Please leave these installation instructions with the owner.
4. Owner: Please keep these instructions for local electrical inspector's use and for future reference.
5. Read the accompanying use and care manual prior to operating this appliance.

TABLE OF CONTENTS

Verifying the package contents	Page 2
Power disconnection	Page 2
Electrical power supply requirements	Page 2
Countertop preparation	Page 2
Below countertop preparation	Page 3
Installing the cooktop	Page 3
Electrical connection	Page 3
Verifying cooktop operation	Page 3

IMPORTANT SAFETY INSTRUCTIONS

WARNINGS:

To reduce the risk of burns, electric shock, fire or injury to persons:

1. Read all instructions before using the appliance.
2. This appliance must be grounded. Connect only to a properly grounded outlet.
3. Install or locate this appliance only in accordance with these installation instructions.
4. Use this appliance only for its intended use as described in this manual. Do not use corrosive chemicals or vapors in this appliance. This type of cooktop is specifically designed to heat and cook food and liquids, it is not designed for industrial or laboratory use.
5. As with any appliance, close supervision is necessary when used by children.
6. Do not operate this appliance if it has a damaged electrical conduit or wires, if it is not working properly or if it has been damaged or dropped.
7. This appliance should be serviced only by qualified service personnel. Contact the nearest Dacor authorized servicer at (800) 793-0093, or at www.Dacor.com for examination, repair or adjustment.
8. Do not cover or block any openings on the appliance.
9. Do not store or use this appliance outdoors. Do not use this product near water – for example, near a kitchen sink, in a wet basement or near a swimming pool, etc.
10. Some products, such as closed glass jars may explode and should not be heated on this cooktop.
11. If the information in this manual is not followed exactly, a fire or explosion may result causing property damage, personal injury or death.
12. Do not store or use gasoline or other flammable vapors and liquids in the vicinity of this or any other appliance.
13. Installation and service must be performed by a qualified installer, service agency, or the electric company.
14. Improper installation, adjustment, alteration, or maintenance can cause personal injury or property damage. Refer to these instructions and the accompanying Use and Care Manual. For assistance or additional information, consult a qualified installer, service agency, dealer, or the electric company.
15. Do not obstruct the flow of air to the unit.
16. Keep the appliance area clear and free from combustible material.
17. Do not attempt to use this appliance in the event of a power failure.
18. Do not put any object, other than cooking utensils, on top of the cooktop. Do not use the cooktop as a table or shelf.

WARNING:

NEVER use this appliance as a space heater to heat or warm the room. Doing so may result in overheating of the appliance.

Verifying the Package Contents

Please contact your dealer immediately if components are missing.

- Use and care manual
- Mounting Brackets
- Cleaning Creme
- Glass Scraper
- Foam Tape

Power Disconnection

WARNING:

Failure to disconnect power may result in electrical shock or fire hazard! If the electric service provided does not meet the product specifications, do not proceed with the installation. Call the selling dealer or a licensed electrician.

Cooktop Data Plate Location

The cooktop data plate specifies the model number, serial number and the electrical supply requirements. It is located on the front of the chassis, below the cooktop. See diagrams.

Countertop Preparation

WARNINGS:

1. To reduce the risk of personal injury caused by reaching over a hot appliance, cabinet storage space located directly above the cooktop should be avoided.
2. Do not store combustible materials or items adversely affected by heat in cabinet areas above the appliance.
3. Failure to provide proper clearances may result in a fire hazard!

NOTES:

1. If cabinet storage space is to be provided directly above the cooktop, the risk of personal injury may be reduced by installing a ventilating hood that projects horizontally a minimum of 5 inches beyond the face of the cabinets.
2. Allow a minimum 2-inch clearance between the bottom of the cooktop chassis and any combustible surface, including the upper edge of a drawer installed below the cooktop.
3. Access to the underside of the cooktop and the junction box must be provided for inspection and service.

Electrical Power Supply Requirements

It is the owner's responsibility to ensure that the electrical connection of this appliance is performed by a qualified electrician. The electrical installation, including minimum supply wire size and grounding, must be in accordance with the National Electric code ANSI/NFPA* (or latest revision) and local codes and ordinances.

*A copy of this standard may be obtained from:

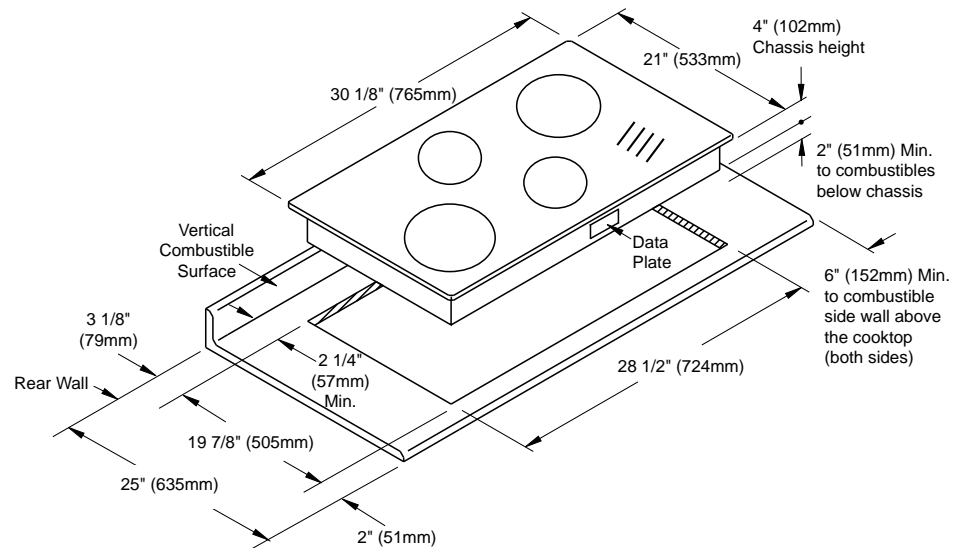
National Fire Protection Association
1 Batterymarch Park
Quincy, Massachusetts 02269-9101

The correct voltage, frequency, and amperage must be supplied to the appliance from a separate, grounded, circuit that is protected by a properly sized circuit breaker or time delay fuse. Refer to the data plate located on the bottom of the chassis, and/or to Table 1 above, for electrical supply requirements.

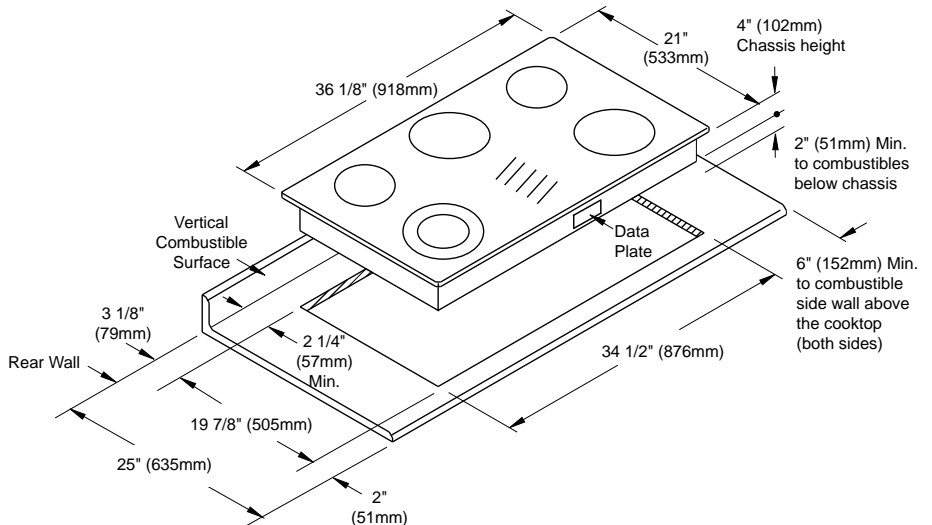
Model No.	Electrical Circuit Required	Total Connected Load	Minimum Supply Wire Size Line and Ground Connections
ETT304-1	240 Vac, 60Hz, 40 Amp.	6.9 kW (29A)	No. 8 AWG
ETT365-2	240 Vac, 60Hz, 40 Amp.	9.1 kW (38A)	
MET304	240 Vac, 60Hz, 40 Amp.	6.9 kW (29A)	
METB365-1	240 Vac, 60Hz, 50 Amp.	9.6 kW (40A)	

For reference only, See the cooktop data plate for exact specifications.

Electrical Supply Requirements



Cutout Dimensions for the, ETT304-1, and MET304
(ETT304-1 shown)



Cutout Dimensions for the ETT365-2, and METB365-1
(ETT365-2 shown)

Below Countertop Preparation

WARNING:

Failure to provide proper clearances may result in a fire hazard!

NOTES:

1. Plastic or other utensils with low melting temperatures should not be stored in drawers immediately below the cooktop.
2. Access to the underside of the cooktop and the junction box must be provided for inspection and service.

All models are designed for standard 24-inch-deep (610mm) base cabinets with 25-inch (635mm) overall depth counter tops. Before making the countertop cutout, make certain that the cooktop will clear the front and side walls of the base cabinet as shown. Clearance is required for proper fastening of the cooktop hold down brackets.

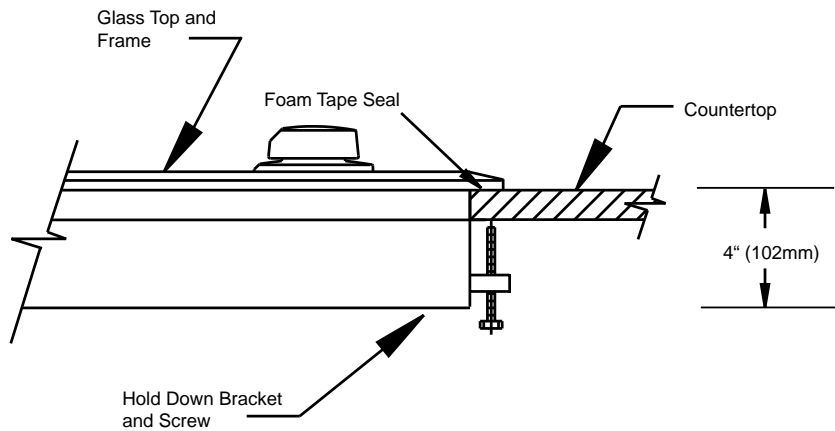
Also allow a minimum 2-inch (51mm) clearance between the bottom of the cooktop chassis and any combustible surface, including the upper edge of a drawer installed below the cooktop. When installing a METB365 or ETT365-1 and the bottom of the cooktop is intended to be enclosed wall to wall, installation of a ventilation duct kit is required (PN 700407). See the duct installation instructions (PN 100807) for cutout requirements. The enclosure must have two ventilation openings for the ducts measuring 8 1/2" by 5 1/8" each. The openings are to be located on the horizontal part of the enclosure directly beneath the cooktop.

Locate the junction box within reach of the included 48-inch-long (1219mm) cooktop power lead such that the junction box is accessible when the cooktop is in place.

Installing the Cooktop

WARNING:

Do not use a hardening compound or caulking to permanently seal the cooktop into place, as the unit must be readily removable for service. If such a hardening compound is used, removal of the unit will be at the customer's expense.



Cooktop Installation - Section View

Attach the foam tape provided with the unit to the underside of the cooktop frame. Place and center the cooktop within the cutout. Secure the cooktop to the countertop utilizing the two (2) hold-down brackets provided. Slide the brackets into the slots located on the left and right sides of the chassis, then tighten the screws to the underside of the countertop.

Electrical Connection

WARNINGS:

1. Ensure that the power supply is disconnected before proceeding.
2. Verify that the power supply matches the ratings found on the appliance data plate before proceeding. See page 2 for location.
3. The complete appliance must be properly grounded at all times when electrical power is applied.
4. Do not ground the appliance with the neutral (white) house supply wire. A separate ground wire must be utilized.
5. If aluminum house supply wiring is utilized, splice the appliance copper wires to the aluminum house wiring using special connectors designed and agency-certified for joining copper and aluminum.
6. Follow the connector manufacturer's recommended procedure carefully. Improper connection can result in a fire hazard!

These products are provided with a flexible conduit consisting of two (2) insulated hot lead conductors (both copper) and one (1) insulated ground conductor (copper).

Verifying Proper Operation

WARNINGS:

1. Never touch any heating elements when the power is on.
2. If the cooktop glass is broken, turn off power to the unit. Do not operate until glass has been replaced by a qualified service technician.
3. This product must be repaired only by a qualified service technician. Unit must be disconnected from power prior to service.

NOTES:

Before operating the unit:

1. Clean the glass surface carefully using the Cooktop Cleaning Creme provided with the product. Remove all cleaner residue.
2. Read and understand the accompanying use and care manual. Important safety, service and warranty information is contained within the manual.

If all final electrical connections are complete as indicated, then proceed to turn on the power. Once the power is on, test each burner position for correct operation.

Any problems should be reported immediately to your installer or an authorized Dacor servicer.

NOTES:

NOTES:

NOTES:

**Specifications contained within are subject to change without notice.
No liability is assumed by DACOR for changes in specifications.**

Web Site: www.Dacor.com
For a Dealer/Service: (800) 772-7778
Corporate Phone: (800) 793-0093