

# Magnum

a professional performer

# Professional Collection

- under cabinet rangehood
- professional styling
- 600 cfm PRO motor
- 2 halogen lights for 24"
- 3 halogen lights for 30" and 36"
- 3 speed control
- integrated control panel
- stainless steel baffle filters
- convertible to recirculating\*
- easy mounting system
- sone range: 3.5 - 6.5
- 6" round duct

\* it is highly recommended that professional style cooking always be vented to the outside.



The Magnum is an excellent replacement hood for your updated pro cooking. Installs easily to the bottom of your cabinet.



a  
c  
c  
e  
s  
s  
o  
r  
i  
e  
s



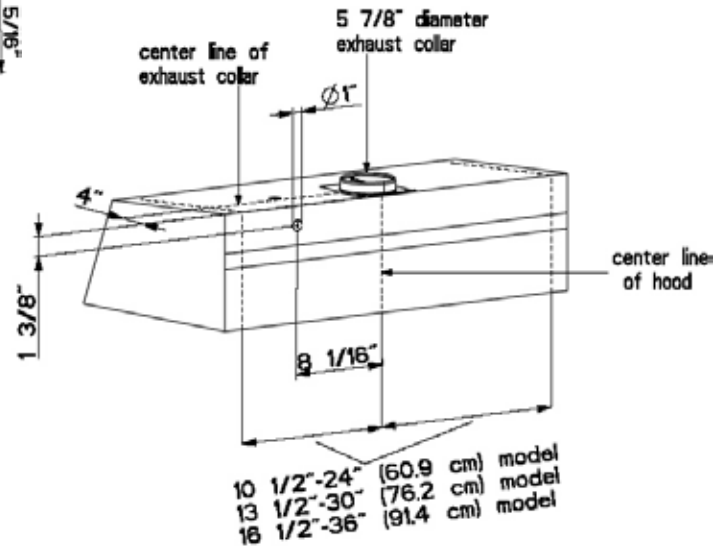
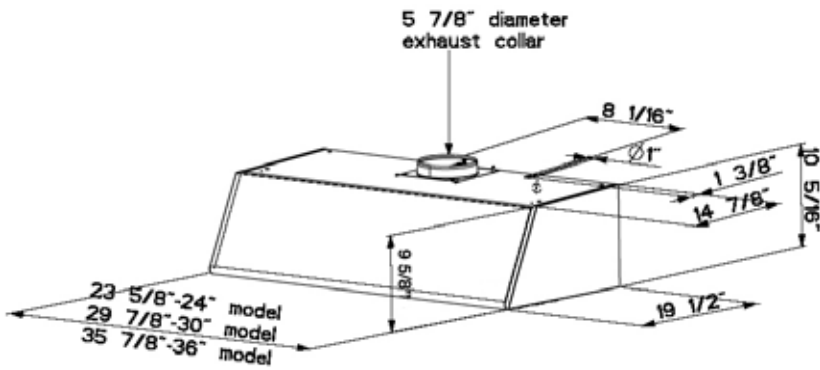
**Size/Color/Model #**

|              |           |
|--------------|-----------|
| 24 Stainless | 630003930 |
| 30 Stainless | 630003638 |
| 36 Stainless | 630003639 |

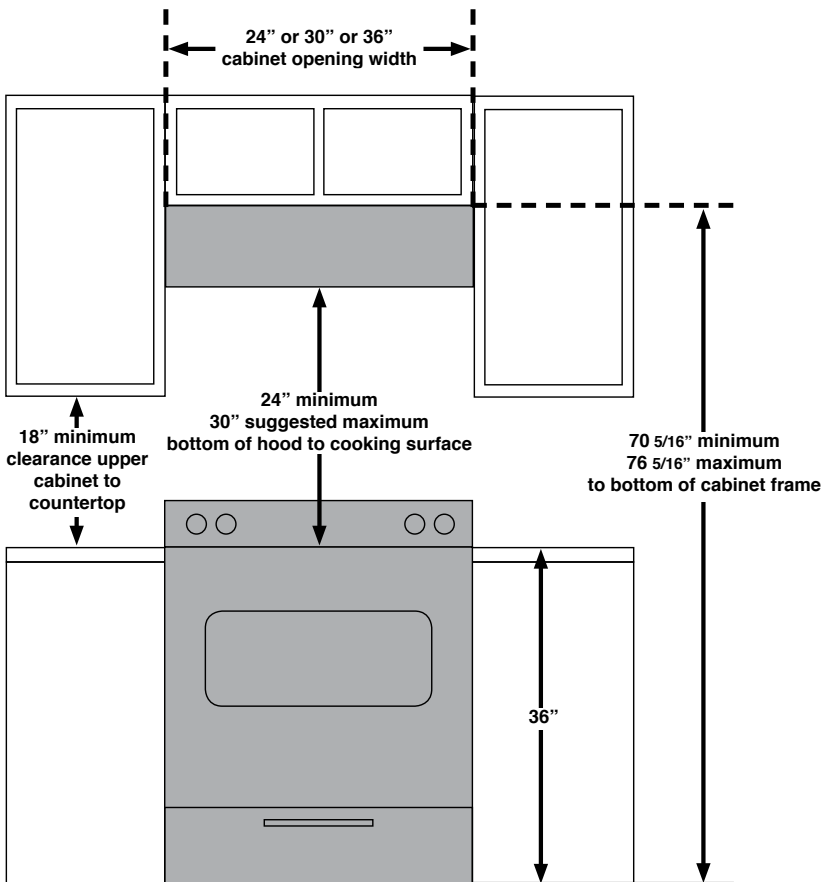
**Charcoal Filters**      6093034

For recirculating installations, high quality, heavy duty filters ensure the removal of smoke and odors from the kitchen. Some ductwork is required to exhaust the unit out of the cabinet.

## Dimensional Diagrams & Electrical Knockouts



**Pre-Planning Your Installation** - Important: Consult the installation instructions before you begin installing this rangehood.



## Pre-Planning Your Ductwork

Important: Consult the installation instructions before you begin installing this rangehood.

Make your ductrun as straight and short as possible. The ductrun should not exceed 35 equivalent feet if ducted with the required minimum of 6" round ductwork. Count 45° angles as 3 feet, 90° elbows as 5 feet, and 90° flat elbows as 12 feet.

**For best results, use no more than three 90° elbows. Make sure that there is a minimum of 24" of straight duct between elbows if more than one is used. Do not install two elbows together. If you must elbow right away, do it as far away from the hood's exhaust opening as possible.**

## Recirculating Installations

**IT IS HIGHLY RECOMMENDED THAT PROFESSIONAL STYLE COOKING BE VENTED TO THE OUTSIDE.** For installations where ductwork to the outside of your home is impossible or highly impractical **Charcoal Filters**, which attach to the blower assembly, absorb smoke and odors. Some ductwork must be installed to exhaust the rangehood back into the kitchen, either at the top of the cabinet or at the face of the soffit. This duct work must not terminate into a dead air space.

**WARNING!** Product specifications are subject to change without notification. Consult the installation instructions before you begin installing this rangehood.