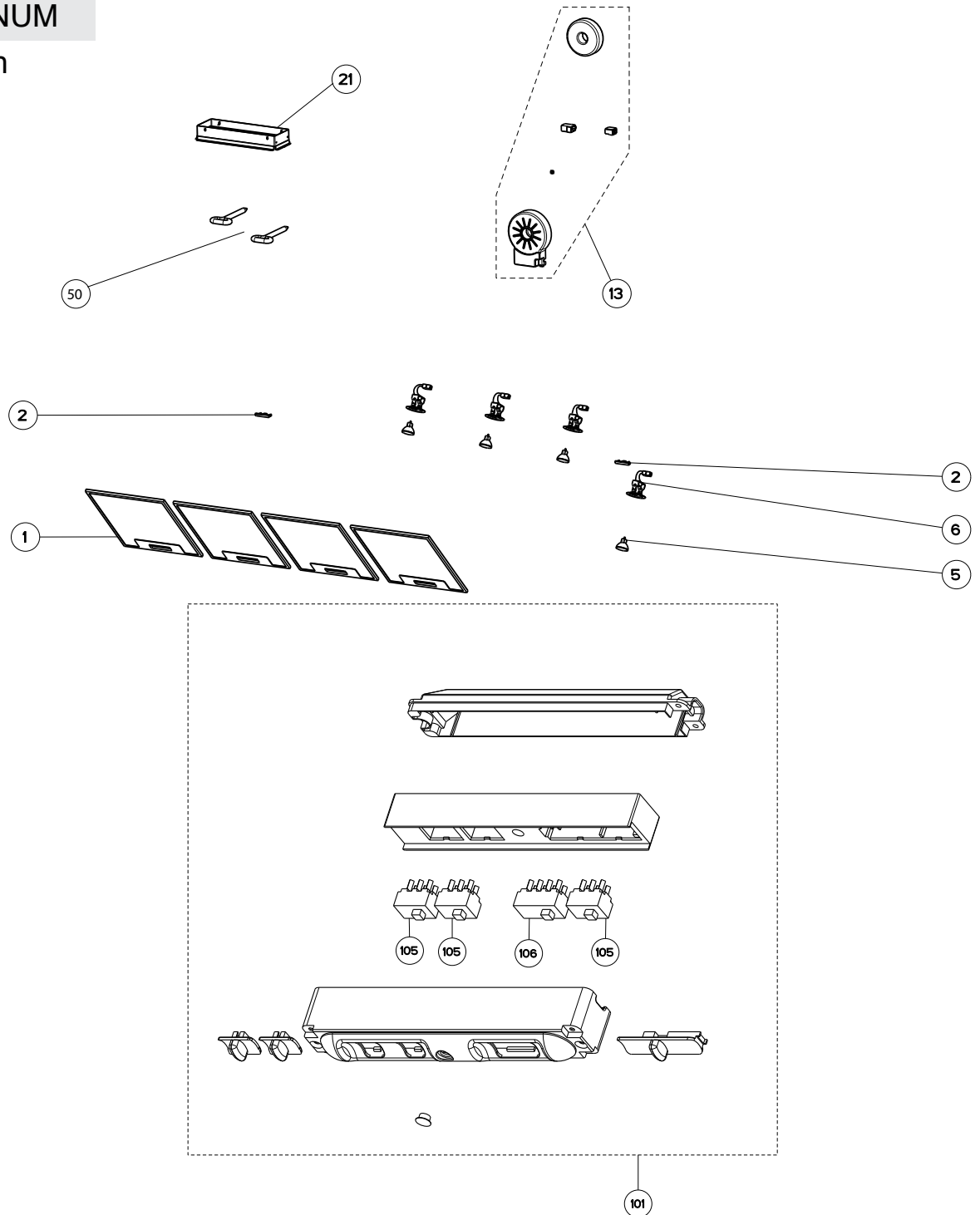


PRO MAGNUM

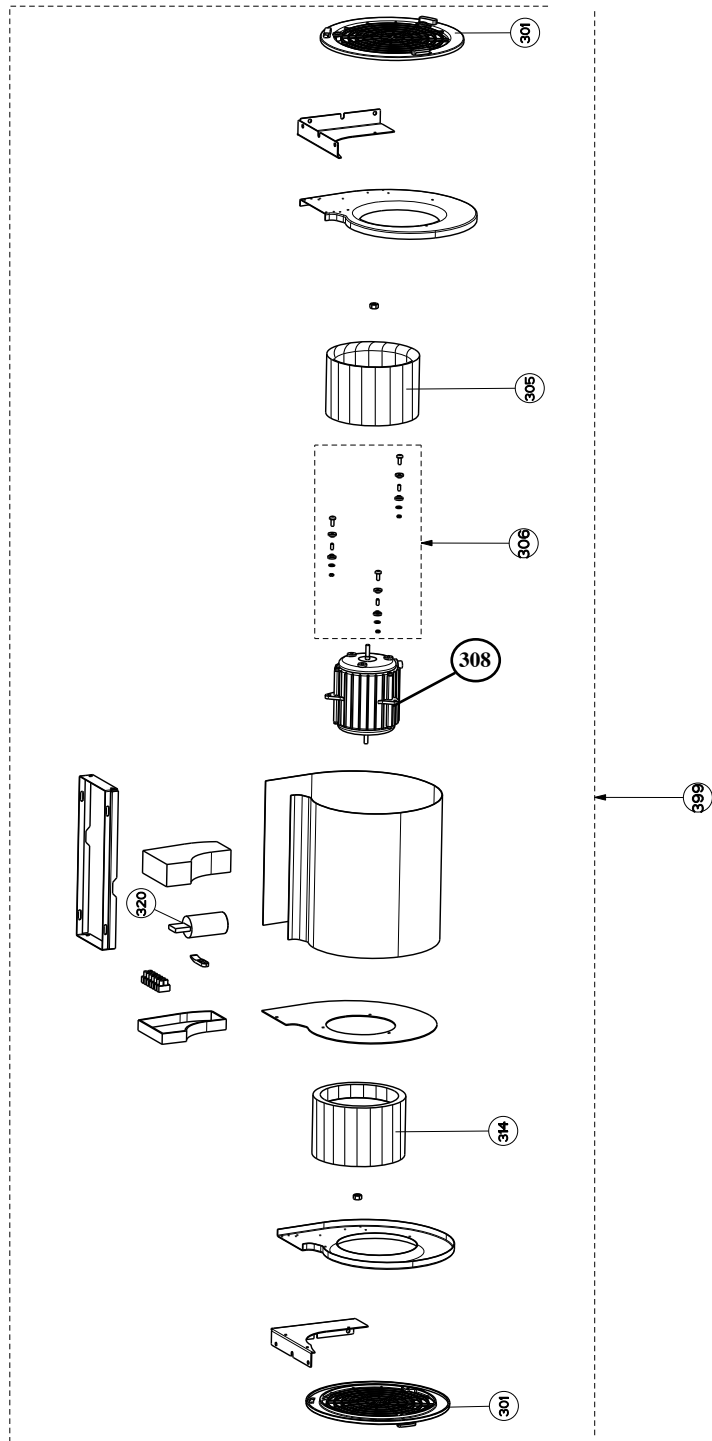
body / switch components



| | Model Number | 6059890 | 6059891 | 6059892 | |
|-----|-------------------------|--------------|--------------|--------------|---------------------|
| Key | Description | 30 Stainless | 36 Stainless | 48 Stainless | Qty Req. |
| 1 | Grease Filter | 133.0018.482 | 133.0018.482 | 133.0018.482 | 2=30", 3=36", 4=48" |
| 2 | Trim Piece | 133.0068.184 | 133.0068.184 | 133.0068.184 | 2 |
| 5 | Halogen Lamp | 133.0046.418 | 133.0046.418 | 133.0046.418 | 3 = 30,36", 4 = 48" |
| 6 | Lampholder | 133.0065.409 | 133.0065.409 | 133.0065.409 | 3=30",36" / 4=48" |
| 13 | Transformer Kit | 133.0052.578 | 133.0052.578 | 133.0052.578 | 1 |
| 21 | Damper | 133.0068.606 | 133.0068.606 | 133.0068.606 | 1=30",36" , 2=48" |
| 50 | Mounting Kit Pro Magnum | 133.0084.486 | 133.0084.486 | 133.0084.486 | 1=30",36" , 2=48" |
| 101 | Switchboard Kit | 133.0062.128 | 133.0062.128 | 133.0062.128 | 1 |
| 105 | On / Off Switch | 133.0054.536 | 133.0054.536 | 133.0054.536 | 3 |
| 106 | Motor Speed Switch | 133.0054.538 | 133.0054.538 | 133.0054.538 | 1 |

PRO MAGNUM

motor components



| Key | Model Number | 6059890 | 6059891 | 6059892 | Qty Req. |
|-----|-------------------------|--------------|--------------|--------------|-------------------|
| 301 | Charcoal filter support | 133.0068.613 | 133.0068.613 | 133.0068.613 | 1=30",36" , 2=48" |
| 305 | Right Impeller | 133.0052.879 | 133.0052.879 | 133.0052.879 | 1=30",36" , 2=48" |
| 306 | Motor Rubber Kit | 133.0068.614 | 133.0068.614 | 133.0068.614 | 1=30",36" , 2=48" |
| 308 | Motor | 133.0073.611 | 133.0073.611 | 133.0073.611 | 1=30",36" , 2=48" |
| 314 | Left Impeller | 133.0052.890 | 133.0052.890 | 133.0052.890 | 1=30",36" , 2=48" |
| 320 | Capacitor | 133.0068.611 | 133.0068.611 | 133.0068.611 | 1=30",36" , 2=48" |
| 399 | Motor Group Kit | 133.0068.616 | 133.0068.616 | 133.0068.615 | 1 |