

## NEW MODEL

# Cylindra Isola

Stainless island cylinder

## Image Collection

### LUXURY STYLING & FUNCTION

- Stunning stainless steel cylinder
- Artistic design, impeccable fit & finish
- Two halogen bulbs with 2 level lighting
- Dishwasher-safe grease filters
- Easy Mounting System
- 600 cfm internal PRO™ blower model
- Perimetric suction system
- Comfort Panel sound proofing
- Adjustable chimney structure

### STATE OF THE ART CONTROLS

- Touch (LED) electronic controls
- 4 pre-set speeds plus Intensive Power Boost
- 24-hour kitchen anti-pollution mode
- 30 minute delayed shut-down mode
- Grease filter saturation indicator

### DUCTING OPTIONS

- Top 6 " round
- Convertible to ductless, only filters needed



Size/Color/Model #

15 Stainless 110.0166.587

a c c e s s o r i e s	<b>Charcoal Filter</b>	<b>620000041</b>
	<b>Glass Kit (36" x 25")</b>	<b>GLSCYLNIS</b>
	Flat glass "canopy" attaches to the bottom of the stainless cylinder to increase capture area and add design and flair	
	<b>CFM Reducer Kit</b>	<b>CFMRED</b>
	Reduces CFM to under 300 cfm for makeup air environments	
	<b>Remote Control</b>	<b>REMCTRL</b>
	Optional wireless remote control to operate the hood	



Note: Above photo shown without glass kit

# FABER

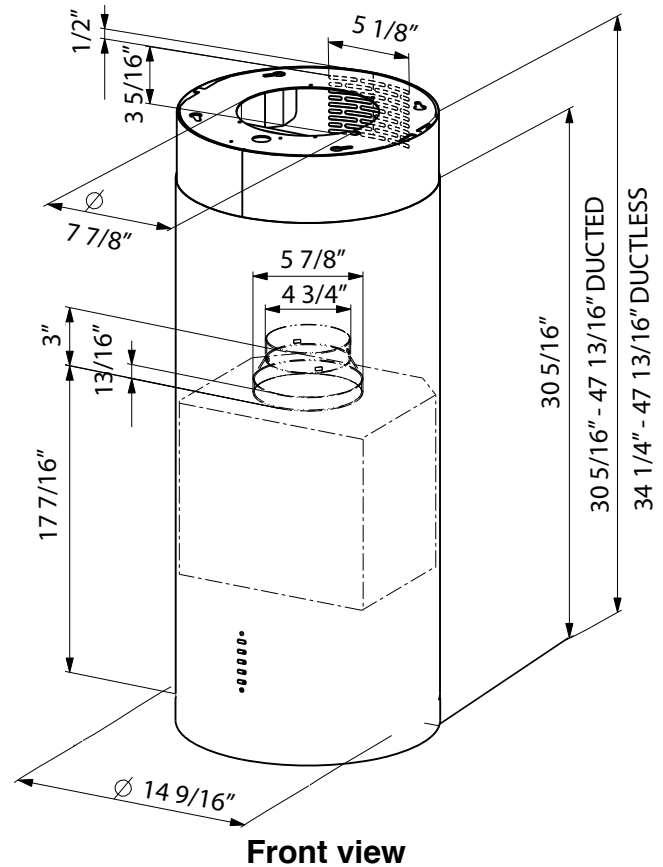
ON AIR. SINCE 1955

Faber introduces the new Cylindra island hood, featuring a stainless steel cylinder with state of art LED push button controls and the innovative perimetric suction system to decrease sound and improve efficiency. Use the stainless cylinder alone or add the glass kit.

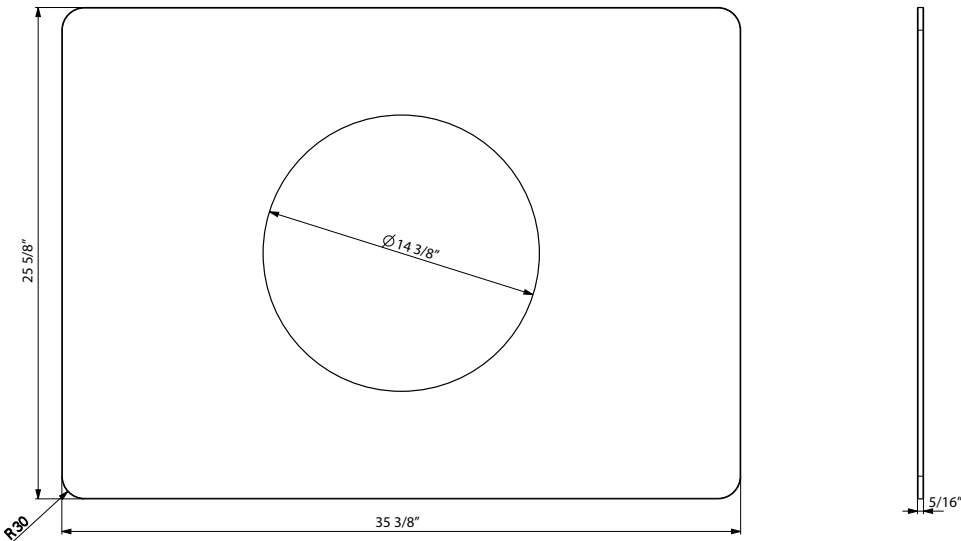


Note: Above photo shown with glass kit

## Dimensional Diagrams



### Glass Kit



**Pre-Planning Your Installation** - Important: Consult the installation instructions before you begin installing this rangehood.

Make your ductrun as straight and short as possible. The ductrun should not exceed 35 equivalent feet if ducted with the required minimum of 6" round duct. Count 45° angles as 3 feet, 90° elbows as 5 feet, and 90° flat elbows as 12 feet.

**For best results, use no more than three 90° elbows. Make sure that there is a minimum of 24" of straight duct between elbows if more than one is used. Do not install two elbows together. If you must elbow right away, do it as far away from the hood's exhaust opening as possible.**

Rev. 09/10

**WARNING!** Product specifications are subject to change without notification. Consult the installation instructions before you begin installing this rangehood.