

# Appliances that do everything. Except compromise.

2009 Home Appliances Full Product Line



**BOSCH**

Invented for life



**BOSCH**  
Invented for life

2009 Home Appliances Full Product Line





# The greatest quality. And the height of environmental awareness. Remarkably, from the same company.

What you do in the spotlight isn't the measure of your quality, substance or responsibility. What you do when no one is watching is what truly counts. Since 1886, Bosch engineers have pushed themselves—not to meet your expectations, but exceed them. With superior engineering that continually redefines quality. Appliances that do their jobs so well, they seem to have a mind of their own. Yet remain mindful of the world at large and their impact on the environment. To others, this might seem

## Quality

Like the ingredients used in preparing the perfect meal, every Bosch appliance is built with only the finest materials. Assembled with robotic precision. Then tested to ensure they meet the standards set by our German engineers. The word “perfectionist” should leap to mind. In fact, nothing—not one product bearing the Bosch logo—leaves our factory until it's 100%.


## Efficiency

An amazing machine that risks the environment is as unacceptable to us as a green appliance that doesn't do its job. More than creating the most innovative appliances available, Bosch engineering balances the highest performance achievable with the least amount of impact on the environment. Enough so to earn ENERGY STAR® ratings for every one of our appliances eligible to be recognized.

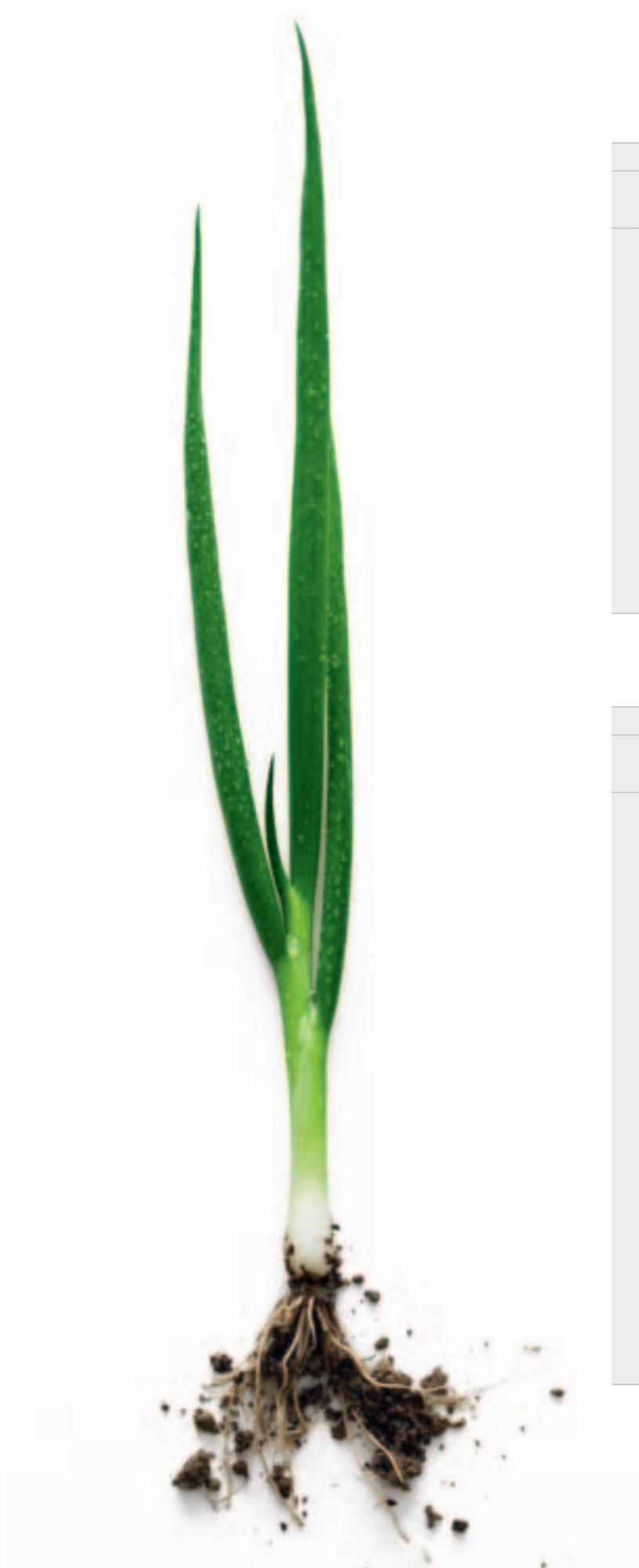
## Responsibility

When you're constantly aware of the world and everything that makes it vibrant and healthy—fresh air, clean water, green trees—you constantly think about making things that fit in with that world, as naturally as possible. Even while we're working on the smallest details, we never lose sight of the big picture—the world and how we all fit into it.





contradictory. To Bosch, it's our reason for being. Every day, we challenge ourselves to deliver superior appliances *and* greater efficiency—without compromising one for the other. We combine sleek, smart design and practical innovations that use less energy. Less water. And more recyclable materials. Not because the world demanded it. But because we believe it should. After all, it's more than our job. It's our responsibility.



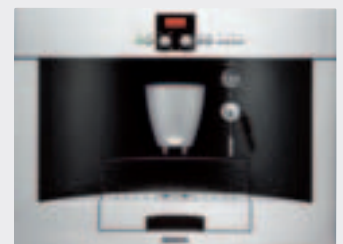
6

**Dishwashers**


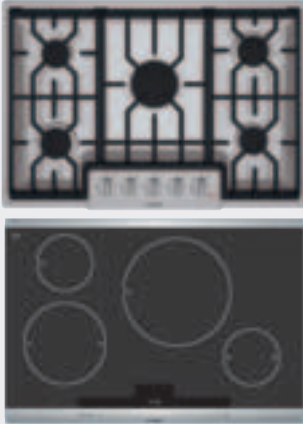

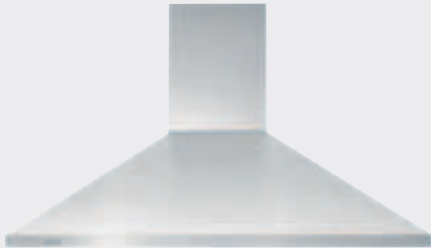





68

**Built-in Coffee Machine**



# Table of Contents

<p><b>24</b></p> <p><b>Ovens, Microwaves, and Warming Drawers</b></p>	<p><b>36</b></p> <p><b>Cooktops</b></p>	<p><b>48</b></p> <p><b>Ranges</b></p>	<p><b>60</b></p> <p><b>Ventilation</b></p>
			
<p><b>70</b></p> <p><b>Refrigeration</b></p>	<p><b>82</b></p> <p><b>Laundry</b></p>	<p><b>96</b></p> <p><b>Small Appliances</b></p>	<p><b>100</b></p> <p><b>Dimensions and Installation</b></p>
			 <p>*23 5/8\" without decor strips</p>



**If you didn't notice it was a Bosch, you'd never know it was there.** That's how quiet our dishwashers are. Like gentle rain, our machines, with advanced noise reduction, register as low as 40 dBA—the quietest in the U.S.\* Just don't let the calm, quiet demeanor lull you into thinking the innovation ends there because Bosch exclusives like EcoAction® raise energy and water efficiency to consistently surpass ENERGY STAR® levels.

\*Based on available sound information on competitors' websites, July 2009.

# Dishwashers

Integra® | Evolution® | Ascenta®





# There is a lot to say about something so quiet.

## Quietness

Bosch dishwashers constantly earn top rankings from leading consumer publications and test labs worldwide. Of course, you may not have heard that. Or anything at all. Buried behind three layers of sound-muffling coated metal and cotton-fiber insulation, our suspended, two-pump motor system dramatically reduces vibration and noise.



### Two-pump motor system

By using two small pumps to individually wash and drain instead of a single large one, vibration and noise are dramatically reduced. Smaller parts and a more contained motion contribute to our unparalleled sound reduction system.

### Suspension motor

We've suspended our two-pump motor system using rubber hammocks to help absorb and minimize any vibration and noise, quieting your kitchen.

### Solid molded base

Solid construction and enhanced insulation reduce vibration and add to overall noise reduction.

### Ultra-quiet drain pump

The new brushless direct current (BLDC) design softens water noise and eliminates draining sounds. Plus, a new dispenser location and optimized hydraulics combined with our famous suspension motor and two-pump motor system make Bosch dishwashers more quiet than ever before.

### Quietest brand

Noise is measured in decibels (dBA). A whisper is about 30 dBA and a normal conversation is about 60 dBA. As the quietest dishwashers in the U.S.,\* Bosch has a silence rating as low as 40 dBA, equivalent to a library.



### InfoLight®

Sometimes your dishwasher might be so quiet, you won't know it's on. That's why there's InfoLight, a small red light projected onto the floor to indicate that your dishwasher is still in one of its cycles.

Note: Features may vary by model. \* Based on available sound information in on competitors' websites, July 2009. \*\*Based on standard-size dishwashers, according to ENERGY STAR®.

## Efficiency

Exceeding the 2011 ENERGY STAR® requirements is impressive. Building the most efficient line in the U.S., amazing. Doing both makes us Bosch. Our advanced EcoSense® Wash Management System measures soil levels, then adjusts water and heat usage automatically to reduce energy usage by up to 20%.



### Flow-through water heater

Bosch dishwashers channel 100% of the water through tight coils in a confined heating chamber, which heats the water quickly and efficiently.



### EcoAction®

When activated, automatic adjustments are made to the water temperature and cycle length for optimal efficiency, allowing you to reduce energy usage by up to 25%.



### Most efficient

The 800 Plus is the most efficient dishwasher in the U.S.\*\* Plus we have the most efficient dishwasher in each class. At 180 kilowatt hours per year, the 800 Plus uses 156% less energy than the federal standard.

### Water efficiency

Bosch makes water work better by using less of it. Advanced systems combine for water efficiency that saves as much as three gallons per cycle compared to the average dishwasher, all while still ensuring optimal cleaning performance.

### ActiveWater™

Technology that utilizes design, water pressure and efficiency to turn two gallons of water into the cleaning power of more than 1,300.

## Safety

Arguably the safest on earth, Bosch dishwashers are the only ones in the U.S. with AquaStop®, our leak protection system that automatically detects water in the base, shuts off operation and pumps it out. On the outside, our ChildLock feature prevents little ones from opening the door or changing the wash program while a load is running.



### AquaStop and AquaStop Plus

Bosch is the only U.S. manufacturer to offer a high-tech leak protection system in their dishwashers. AquaStop is a precisely engineered tub and sensor system that detects leaks in the solid molded base of the dishwasher, shuts down operation and automatically pumps out water so it cannot make contact with the floor. This eliminates the risk of costly water damage. The AquaStop Plus, available on the 800 Plus Series, includes an electro valve at the water tap and a unique, double-walled hose system for the most comprehensive safety system available.



### SaniDry™ condensation drying system

Condensation drying works by heating the dishes with hot water from the final rinse. The closed system does not draw outside air into the dishwasher which makes it the most sanitary way to dry dishes.



### ChildLock

For your children's safety and your peace of mind. The electronically controlled lock prevents changes to the wash program while the dishwasher is in operation.

### Overflow protection system

Only Ascenta® 24/7 overflow protection system senses leaks even if the dishwasher is turned off. If water levels get too high, the dishwasher pumps the water out of the tub and closes the water inlet.

### No exposed heating element

Our Flow Through Water Heater™ prevents plastic items on the bottom rack from melting and protects you from accidental burns during unloading.

### NSF

Bosch dishwashers meet NSF standards ensuring that they have cleaned and sanitized dishes, effectively eliminating 99.9% of bacteria.

Note: Features may vary by model. \*Bosch received the highest numerical score for dishwashers in the proprietary J.D. Power and Associates 2006–2007 Major Home Appliance Studies<sup>SM</sup> and 2008 Kitchen Appliances Study<sup>SM</sup>. 2008 study based on 14,782 total responses measuring 16 brands and measures opinions of consumers during the previous 36 months. Proprietary study results are based on experiences and perceptions of consumers surveyed in June–July 2008. Your experiences may vary. Visit [jdpower.com](http://jdpower.com).



## Quality

Bosch is committed to the highest, most stringent quality standards with 100% of dishwashers tested at the factory. Every dishwasher undergoes 485 individual quality control tests before being released from the factory. Bosch also tests its dishwashers



for life, with lifetime tests for up to 4,000 wash cycles or 10 years. Bosch dishwashers' numerous awards attest to their quality and value. J.D. Power and Associates ranks Bosch "highest in satisfaction with dishwashers, three years in a row."\*

### Stainless steel tub

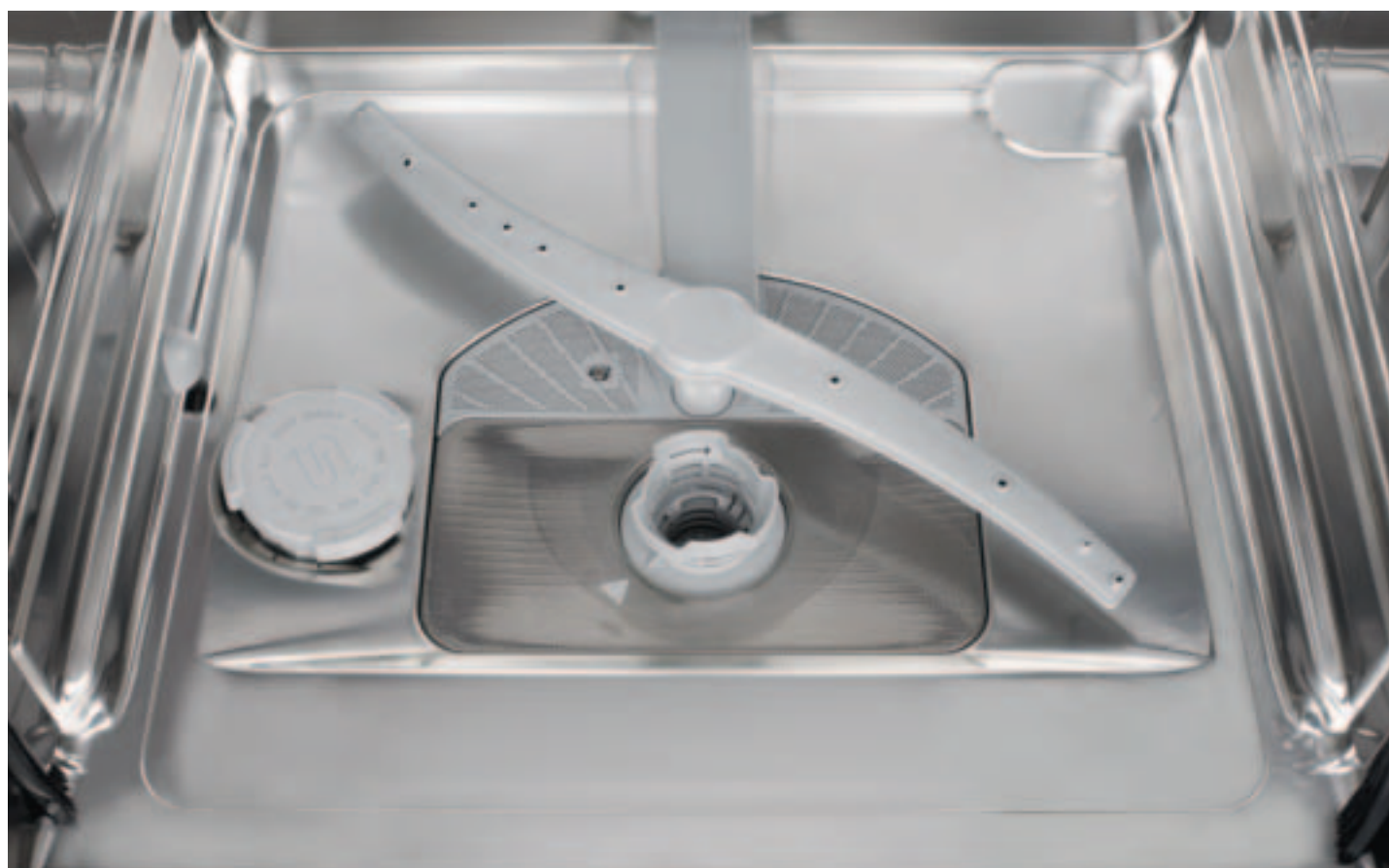
Bosch dishwashers' high-quality stainless steel construction retains heat better than plastic tubs, which helps dry dishes faster and more efficiently. They also come with a lifetime warranty against rust-through.

### American-built, German-engineered

The majority of Bosch dishwashers are assembled in our state-of-the-art facilities in New Bern, North Carolina. With German engineering and the American spirit, our dishwashers stand for the highest quality products on the market.

### Good Housekeeping Seal

Many of Bosch Integra®, Evolution®, and Ascenta® dishwashers are backed by the Good Housekeeping Seal—a two-year limited warranty.



## Performance

With Bosch, sophisticated technologies aren't just ultra-efficient, they're ultra-effective, getting dishes clean and spot-free, even while using less energy and water.



### Variable spray pressure

Higher and lower spray pressure allows for better load customization and enhanced cleaning performance, based on the cycle that is selected.

### Extra tall item sprinkler

Hand washing large items becomes a thing of the past, thanks to this handy innovation. Simply remove the top rack and place your serving platters, baking trays, hood filters and refrigerator shelves that are up to 22" high in the bottom rack.

### ActiveTab™ system

Innovatively designed and integrated into the middle of the dishwasher, ActiveTab helps dissolve detergent tablets more efficiently and effectively.



### Half-load option

Use this option when washing small, lightly soiled loads that fill half or less of the dishwasher's capacity on both the top and bottom racks. It dramatically reduces energy and water consumption, and can be used with the Power Scrub, Regular and Auto Wash cycles.

### Water softener

The 800 Plus has a water-softening system that softens the water to the optimal level and eliminates spots caused by lime deposits left behind by hard water.

### Triple filtration system

The new triple filtration system uses a three-step process to remove even the finest dirt particles from the washing cycle, for sparkling-clean dishes and glasses every time. And all three filter elements are self-cleaning for worry-free operation.



Note: Features may vary by model.



## Capacity

Each Bosch dishwasher is designed to maximize space and flexibility, giving you the space you need to effectively organize your dishes and clean them more efficiently.



### RackMatic® and RackMatic Plus

The RackMatic and RackMatic Plus upper-basket-height adjustment allows for easy and comfortable adjustment of the racks when loaded. It has two simple steps to enhance loading flexibility with regards to plate sizes and height of glasses.

### Silverware basket

The removable silverware basket can be placed anywhere in the dishwasher, adding space for other items. Plus, the basket can be split in two pieces, placed side-by-side or back-to-back for the ultimate flexibility in loading.



### 800 Plus third rack

Unique V-shaped design helps to separate silverware, making it easier to clean, while providing extra room for large, odd-shaped cutlery and small dishes.



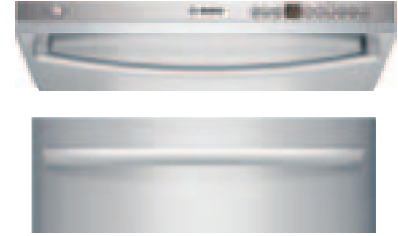
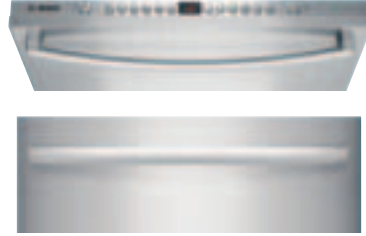
### Place settings

Bosch designs its racks to accommodate even the largest dinner parties, with most models able to accommodate up to 14 place settings in one load, and the 800 Plus leading the way by being able to handle up to 15.

### New racks

Bosch dishwashers now come with new and improved racks for increased functionality, intuitive loading and additional parts and accessories. Taller racks, thicker wires and perfectly placed tines make these racks something to talk about.

# Integra® Dishwasher Specifications

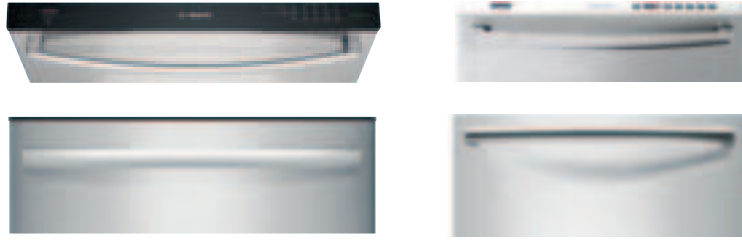


	800 Plus Series	800 Plus Series	800 Series
<b>Model Numbers</b>	<ul style="list-style-type: none"> <li>– SHX68E15UC Stainless Steel</li> <li>– SHV68E13UC Custom Panel</li> </ul>	<ul style="list-style-type: none"> <li>– SHX68E05UC Stainless Steel</li> </ul>	<ul style="list-style-type: none"> <li>– SHX68P05UC Stainless Steel</li> <li>– SHV68P03UC Custom Panel</li> </ul>
<b>Features</b>	<p><b>Appearance</b></p> <ul style="list-style-type: none"> <li>– Stainless Steel TallTub</li> <li>– 6 Wash Cycles and 5 Options</li> </ul> <p><b>Quietness</b></p> <ul style="list-style-type: none"> <li>– Virtually Silent: 40 dBA</li> <li>– Quietest Dishwasher in the U.S.</li> <li>– InfoLight® Cycle Indicator LED</li> <li>– Two Pumps Minimize Noise &amp; Vibration</li> <li>– Solid Base Contains Sound &amp; Prevents Leaks</li> </ul> <p><b>Efficiency</b></p> <ul style="list-style-type: none"> <li>– 180 kWh/yr –ENERGY STAR® Qualified</li> <li>– Most Efficient Dishwasher in the U.S.</li> <li>– EcoAction® Option - Bosch Exclusive</li> <li>– EcoSense® Reduces Energy Usage up to 20%</li> <li>– Half Load Option for Small Loads</li> <li>– Flow-Through Water Heater™</li> <li>– Triple Filtration System</li> </ul> <p><b>Safety</b></p> <ul style="list-style-type: none"> <li>– AquaStop® Plus 4-Part 24/7 Leak Protection</li> <li>– Sanitize Option Removes Bacteria &amp; Enhances Drying</li> <li>– Concealed Heating Element</li> <li>– SaniDry™ Condensation Drying</li> </ul> <p><b>Capacity</b></p> <ul style="list-style-type: none"> <li>– 15 Place Setting Capacity</li> <li>– 3rd Rack for Additional Loading Capacity</li> <li>– VarioFlex™ Plus Racks for Flexible Loading</li> <li>– RackMatic® Plus allows 3 Loading Levels</li> <li>– Extra Tall Item Sprinkler Cleans Items 22" Tall</li> </ul> <p><b>Convenience</b></p> <ul style="list-style-type: none"> <li>– Multi-Function LED with Remaining Time</li> <li>– 24 Hour Delay Start Timer</li> <li>– Quick Wash – In 30 Minutes or Less</li> <li>– End of Cycle Sound</li> </ul> <p><b>Performance</b></p> <ul style="list-style-type: none"> <li>– OptiDry® for Spotless Drying</li> <li>– Water Softener Ensures Perfect Cleaning</li> <li>– ActiveTab™ Tray Optimizes Det. Dissolving</li> <li>– Variable Spray Pressure</li> <li>– Load Size Sensor Automates Wash Cycle</li> </ul>	<p><b>Appearance</b></p> <ul style="list-style-type: none"> <li>– Stainless Steel TallTub</li> <li>– 6 Wash Cycles and 5 Options</li> </ul> <p><b>Quietness</b></p> <ul style="list-style-type: none"> <li>– Virtually Silent: 42 dBA</li> <li>– InfoLight® Cycle Indicator LED</li> <li>– Two Pumps Minimize Noise &amp; Vibration</li> <li>– Solid Base Contains Sound &amp; Prevents Leaks</li> </ul> <p><b>Efficiency</b></p> <ul style="list-style-type: none"> <li>– 180 kWh/yr –ENERGY STAR® Qualified</li> <li>– Most Efficient Dishwasher in the U.S.</li> <li>– EcoAction® Option - Bosch Exclusive</li> <li>– EcoSense® Reduces Energy Usage up to 20%</li> <li>– Half Load Option for Small Loads</li> <li>– Flow-Through Water Heater™</li> <li>– Triple Filtration System</li> </ul> <p><b>Safety</b></p> <ul style="list-style-type: none"> <li>– AquaStop® Plus 4-Part 24/7 Leak Protection</li> <li>– Sanitize Option Removes Bacteria &amp; Enhances Drying</li> <li>– Concealed Heating Element</li> <li>– SaniDry™ Condensation Drying</li> </ul> <p><b>Capacity</b></p> <ul style="list-style-type: none"> <li>– 15 Place Setting Capacity</li> <li>– 3rd Rack for Additional Loading Capacity</li> <li>– VarioFlex™ Racks for Flexible Loading</li> <li>– RackMatic® Plus allows 3 Loading Levels</li> <li>– Extra Tall Item Sprinkler Cleans Items 22" Tall</li> </ul> <p><b>Convenience</b></p> <ul style="list-style-type: none"> <li>– Multi-Function LED with Remaining Time</li> <li>– 24 Hour Delay Start Timer</li> <li>– Quick Wash – In 30 Minutes or Less</li> <li>– End of Cycle Sound</li> </ul> <p><b>Performance</b></p> <ul style="list-style-type: none"> <li>– OptiDry® for Spotless Drying</li> <li>– Water Softener Ensures Perfect Cleaning</li> <li>– ActiveTab™ Tray Optimizes Det. Dissolving</li> <li>– Variable Spray Pressure</li> </ul>	<p><b>Appearance</b></p> <ul style="list-style-type: none"> <li>– Stainless Steel TallTub</li> <li>– 6 Wash Cycles and 3 Options</li> </ul> <p><b>Quietness</b></p> <ul style="list-style-type: none"> <li>– Virtually Silent: 44 dBA</li> <li>– InfoLight® Cycle Indicator LED</li> <li>– Two Pumps Minimize Noise &amp; Vibration</li> <li>– Solid Base Contains Sound &amp; Prevents Leaks</li> </ul> <p><b>Efficiency</b></p> <ul style="list-style-type: none"> <li>– 234 kWh/yr –ENERGY STAR® Qualified</li> <li>– EcoSense® Reduces Energy Usage up to 20%</li> <li>– Half Load Option for Small Loads</li> <li>– Flow-Through Water Heater™</li> <li>– Triple Filtration System</li> </ul> <p><b>Safety</b></p> <ul style="list-style-type: none"> <li>– AquaStop® Leak Protection</li> <li>– Sanitize Option Removes Bacteria &amp; Enhances Drying</li> <li>– NSF Certified –Eliminates 99.9% of Bacteria</li> <li>– Concealed Heating Element</li> <li>– SaniDry™ Condensation Drying</li> </ul> <p><b>Capacity</b></p> <ul style="list-style-type: none"> <li>– 14 Place Setting Capacity</li> <li>– 800 Series Racks with Flexible Silverware Basket</li> <li>– RackMatic® Automatically Adjustable Upper Rack</li> <li>– Extra Tall Item Sprinkler Cleans Items 22" Tall</li> </ul> <p><b>Convenience</b></p> <ul style="list-style-type: none"> <li>– Multi-Function LED with Remaining Time</li> <li>– 19 Hour Delay Start Timer</li> <li>– Quick Wash – In 30 Minutes or Less</li> <li>– End of Cycle Sound</li> </ul> <p><b>Performance</b></p> <ul style="list-style-type: none"> <li>– OptiDry® for Spotless Drying</li> <li>– Variable Spray Pressure</li> </ul>
<b>Accessories</b>	<ul style="list-style-type: none"> <li>– SGZ1010UC Supply and Drainage Hose Extension</li> <li>– SGZ5000 800 Plus 4-Part Accessory Kit</li> <li>– SMZ5002 800 Plus Anti-Tarnish Silverware Cassette</li> <li>– SGZ9091UC Dishwasher Water Soft. Salt</li> </ul>	<ul style="list-style-type: none"> <li>– SGZ1010UC Supply and Drainage Hose Extension</li> <li>– SGZ5000 800 Plus 4-Part Accessory Kit</li> <li>– SMZ5002 800 Plus Anti-Tarnish Silverware Cassette</li> <li>– SGZ9091UC Dishwasher Water Soft. Salt</li> </ul>	<ul style="list-style-type: none"> <li>– SGZ1010UC Supply and Drainage Hose Extension</li> <li>– SGZ1052UC 4-Part Accessory Kit</li> <li>– SGZPC001UC Power Cord w/Connectors</li> <li>– SMZ5002UC Anti-Tarnish Silverware Cassette</li> </ul>



500 Series	500 Series	500 Series
<ul style="list-style-type: none"> <li>– SHX65P05UC Stainless Steel</li> <li>– SHX65P06UC Black</li> <li>– SHX65P02UC White</li> <li>– SHV65P03UC Custom Panel</li> </ul>	<ul style="list-style-type: none"> <li>– SHX45P05UC Stainless Steel</li> <li>– SHX45P06UC Black</li> <li>– SHX45P02UC White</li> <li>– SHX45P01UC Titanium</li> </ul>	<ul style="list-style-type: none"> <li>– SHX45L05UC Stainless Steel</li> </ul>
<p><b>Appearance</b></p> <ul style="list-style-type: none"> <li>– Stainless Steel TallTub</li> <li>– 6 Wash Cycles and 3 Options</li> </ul> <p><b>Quietness</b></p> <ul style="list-style-type: none"> <li>– Virtually Silent: 47 dBA</li> <li>– InfoLight® Cycle Indicator LED</li> <li>– Two Pumps Minimize Noise &amp; Vibration</li> <li>– Solid Base Contains Sound &amp; Prevents Leaks</li> </ul> <p><b>Efficiency</b></p> <ul style="list-style-type: none"> <li>– 259 kWh/yr –ENERGY STAR® Qualified</li> <li>– EcoSense® Reduces Energy Usage up to 20%</li> <li>– Half Load Option for Small Loads</li> <li>– Flow-Through Water Heater™</li> <li>– Triple Filtration System</li> </ul> <p><b>Safety</b></p> <ul style="list-style-type: none"> <li>– AquaStop® Leak Protection</li> <li>– Sanitize Option Removes Bacteria &amp; Enhances Drying</li> <li>– NSF Certified –Eliminates 99.9% of Bacteria</li> <li>– Concealed Heating Element</li> <li>– SaniDry™ Condensation Drying</li> </ul> <p><b>Capacity</b></p> <ul style="list-style-type: none"> <li>– 14 Place Setting Capacity</li> <li>– 500 Series Racks with Flexible Silverware Basket</li> <li>– RackMatic® Automatically Adjustable Upper Rack</li> <li>– Extra Tall Item Sprinkler Cleans Items 22" Tall</li> </ul> <p><b>Convenience</b></p> <ul style="list-style-type: none"> <li>– Multi-Function LED with Remaining Time</li> <li>– 19 Hour Delay Start Timer</li> <li>– Quick Wash – In 30 Minutes or Less</li> <li>– End of Cycle Sound</li> </ul> <p><b>Performance</b></p> <ul style="list-style-type: none"> <li>– OptiDry® for Spotless Drying</li> </ul>	<p><b>Appearance</b></p> <ul style="list-style-type: none"> <li>– Stainless Steel TallTub</li> <li>– 4 Wash Cycles and 2 Options</li> </ul> <p><b>Quietness</b></p> <ul style="list-style-type: none"> <li>– Virtually Silent: 47 dBA</li> <li>– InfoLight® Cycle Indicator LED</li> <li>– Two Pumps Minimize Noise &amp; Vibration</li> <li>– Solid Base Contains Sound &amp; Prevents Leaks</li> </ul> <p><b>Efficiency</b></p> <ul style="list-style-type: none"> <li>– 259 kWh/yr –ENERGY STAR® Qualified</li> <li>– EcoSense® Reduces Energy Usage up to 20%</li> <li>– Half Load Option for Small Loads</li> <li>– Flow-Through Water Heater™</li> <li>– Triple Filtration System</li> </ul> <p><b>Safety</b></p> <ul style="list-style-type: none"> <li>– AquaStop® Leak Protection</li> <li>– NSF Certified –Eliminates 99.9% of Bacteria</li> <li>– Concealed Heating Element</li> <li>– SaniDry™ Condensation Drying</li> </ul> <p><b>Capacity</b></p> <ul style="list-style-type: none"> <li>– 14 Place Setting Capacity</li> <li>– 500 Series Racks with Flexible Silverware Basket</li> <li>– RackMatic® Automatically Adjustable Upper Rack</li> <li>– Extra Tall Item Sprinkler Cleans Items 22" Tall</li> </ul> <p><b>Convenience</b></p> <ul style="list-style-type: none"> <li>– Multi-Function LED with Remaining Time</li> <li>– 19 Hour Delay Start Timer</li> <li>– Quick Wash – In 30 Minutes or Less</li> <li>– End of Cycle Sound</li> </ul> <p><b>Performance</b></p> <ul style="list-style-type: none"> <li>– OptiDry® for Spotless Drying</li> </ul>	<p><b>Appearance</b></p> <ul style="list-style-type: none"> <li>– Stainless Steel TallTub</li> <li>– 4 Wash Cycles and 2 Options</li> <li>– Real Stainless Steel Control Panel</li> <li>– Tubular Handle</li> </ul> <p><b>Quietness</b></p> <ul style="list-style-type: none"> <li>– Virtually Silent: 47 dBA</li> <li>– InfoLight® Cycle Indicator LED</li> <li>– Two Pumps Minimize Noise &amp; Vibration</li> <li>– Solid Base Contains Sound &amp; Prevents Leaks</li> </ul> <p><b>Efficiency</b></p> <ul style="list-style-type: none"> <li>– 259 kWh/yr –ENERGY STAR® Qualified</li> <li>– EcoSense® Reduces Energy Usage up to 20%</li> <li>– Half Load Option for Small Loads</li> <li>– Flow-Through Water Heater™</li> <li>– Triple Filtration System</li> </ul> <p><b>Safety</b></p> <ul style="list-style-type: none"> <li>– AquaStop® Leak Protection</li> <li>– NSF Certified –Eliminates 99.9% of Bacteria</li> <li>– Concealed Heating Element</li> <li>– SaniDry™ Condensation Drying</li> </ul> <p><b>Capacity</b></p> <ul style="list-style-type: none"> <li>– 14 Place Setting Capacity</li> <li>– 500 Series Racks with Flexible Silverware Basket</li> <li>– RackMatic® Automatically Adjustable Upper Rack</li> <li>– Extra Tall Item Sprinkler Cleans Items 22" Tall</li> </ul> <p><b>Convenience</b></p> <ul style="list-style-type: none"> <li>– Multi-Function LED with Remaining Time</li> <li>– 19 Hour Delay Start Timer</li> <li>– Quick Wash – In 30 Minutes or Less</li> <li>– End of Cycle Sound</li> </ul> <p><b>Performance</b></p> <ul style="list-style-type: none"> <li>– OptiDry® for Spotless Drying</li> </ul>
<ul style="list-style-type: none"> <li>– SGZ1010UC Supply and Drainage Hose Extension</li> <li>– SGZ1052UC 4-Part Accessory Kit</li> <li>– SGZPC001UC Power Cord w/Connectors</li> <li>– SMZ5002UC Anti-Tarnish Silverware Cassette</li> </ul>	<ul style="list-style-type: none"> <li>– SGZ1010UC Supply and Drainage Hose Extension</li> <li>– SGZ1052UC 4-Part Accessory Kit</li> <li>– SGZPC001UC Power Cord w/Connectors</li> <li>– SMZ5002UC Anti-Tarnish Silverware Cassette</li> </ul>	<ul style="list-style-type: none"> <li>– SGZ1010UC Supply and Drainage Hose Extension</li> <li>– SGZ1052UC 4-Part Accessory Kit</li> <li>– SGZPC001UC Power Cord w/Connectors</li> <li>– SMZ5002UC Anti-Tarnish Silverware Cassette</li> </ul>

# Integra® Dishwasher Specifications



## Colors



**Stainless Steel**  
(SHX65P05UC Model Shown)



**Black**  
(SHX65P06UC Model Shown)



**White**  
(SHX65P02UC Model Shown)



**Titanium**  
(SHX45P01UC Model Shown)



**Fully Integrated**  
(SHV65P03UC Model Shown)

	300 Series	18" Special Application
<b>Model Numbers</b>	<ul style="list-style-type: none"> <li>– SHX43P15UC Stainless Steel</li> <li>– SHX43P16UC Black</li> <li>– SHX43P12UC White</li> <li>– SHV43P13UC Custom Panel</li> </ul>	<ul style="list-style-type: none"> <li>– SRV53C03UC Custom Panel</li> </ul> <p>(Shown with Stainless Steel Door Accessory)</p>
<b>Features</b>	<div style="display: flex; justify-content: space-around;">    </div> <p><b>Appearance</b></p> <ul style="list-style-type: none"> <li>– Stainless Steel TallTub</li> <li>– 4 Wash Cycles and 1 Option</li> </ul> <p><b>Quietness</b></p> <ul style="list-style-type: none"> <li>– Virtually Silent: 50 dBA</li> <li>– Two Pumps Minimize Noise &amp; Vibration</li> <li>– Solid Base Contains Sound &amp; Prevents Leaks</li> </ul> <p><b>Efficiency</b></p> <ul style="list-style-type: none"> <li>– 259 kWh/yr –ENERGY STAR® Qualified</li> <li>– EcoSense® Reduces Energy Usage up to 20%</li> <li>– Half Load Option for Small Loads</li> <li>– Flow-Through Water Heater™</li> <li>– Triple Filtration System</li> </ul> <p><b>Safety</b></p> <ul style="list-style-type: none"> <li>– AquaStop® Leak Protection</li> <li>– NSF Certified –Eliminates 99.9% of Bacteria</li> <li>– Concealed Heating Element</li> <li>– SaniDry™ Condensation Drying</li> </ul> <p><b>Capacity</b></p> <ul style="list-style-type: none"> <li>– 14 Place Setting Capacity</li> <li>– 300 Series Racks with Flexible Silverware Basket</li> <li>– Manual Height Adjustment Upper Rack</li> </ul> <p><b>Convenience</b></p> <ul style="list-style-type: none"> <li>– 19 Hour Delay Start Timer</li> <li>– Quick Wash –In 30 Minutes or Less</li> <li>– End of Cycle Sound</li> </ul> <p><b>Performance</b></p> <ul style="list-style-type: none"> <li>– OptiDry® for Spotless Drying</li> </ul>	<div style="display: flex; justify-content: space-around;">    </div> <p><b>Appearance</b></p> <ul style="list-style-type: none"> <li>– Stainless Steel EuroTub</li> <li>– 5 Wash Cycles and 2 Options</li> </ul> <p><b>Quietness</b></p> <ul style="list-style-type: none"> <li>– Virtually Silent: 48 dBA</li> <li>– Two Pumps Minimize Noise &amp; Vibration</li> <li>– Solid Base Contains Sound &amp; Prevent Leaks</li> </ul> <p><b>Efficiency</b></p> <ul style="list-style-type: none"> <li>– 315 kWh/yr –ENERGY STAR® Qualified</li> <li>– EcoSense® Reduces Energy Usage up to 20%</li> <li>– Half Load Option for Small Loads</li> <li>– Flow-Through Water Heater™</li> <li>– Triple Filtration System</li> </ul> <p><b>Safety</b></p> <ul style="list-style-type: none"> <li>– AquaStop® Leak Protection</li> <li>– Concealed Heating Element</li> <li>– SaniDry™ Condensation Drying</li> </ul> <p><b>Capacity</b></p> <ul style="list-style-type: none"> <li>– 9 Place Setting Capacity</li> <li>– Platinum Premium Racks with Flexible Silverware Basket</li> <li>– RackMatic® Automatically Adjustable Upper Rack</li> </ul> <p><b>Convenience</b></p> <ul style="list-style-type: none"> <li>– Multi-Function LED with Remaining Time</li> <li>– 19 Hour Delay Start Timer</li> <li>– Quick Wash –In 35 Minutes or Less</li> <li>– End of Cycle Sound</li> <li>– ADA Compliant</li> </ul> <p><b>Performance</b></p> <ul style="list-style-type: none"> <li>– OptiDry® for Spotless Drying</li> </ul>
<b>Accessories</b>	<ul style="list-style-type: none"> <li>– SGZ1010UC Supply and Drainage Hose Extension</li> <li>– SGZ1052UC 4-Part Accessory Kit</li> <li>– SGZPC001UC Power Cord w/Connectors</li> <li>– SMZ5002UC Anti-Tarnish Silverware Cassette</li> </ul>	<ul style="list-style-type: none"> <li>– SGZ1010UC Supply and Drainage Hose Extension</li> <li>– SGZ1052 4-Part Accessory Kit</li> <li>– SGZPC001UC Power Cord w/Connectors</li> <li>– SMZ5002UC Anti-Tarnish Silverware Cassette</li> <li>– SRZ2045UC Stainless Steel Door and Hinge Kit</li> <li>– SGZ3022 Hinge Kit for 34" Custom Panel Installation</li> </ul>





# Evolution® Dishwasher Specifications



	800 Plus Series	800 Plus Series	800 Series
<b>Model Numbers</b>	– SHE68E15UC Stainless Steel	– SHE68E05UC Stainless Steel	– SHE68P05UC Stainless Steel – SHE68P06UC Black – SHE68P02UC White
<b>Features</b>	<p><b>Appearance</b></p> <ul style="list-style-type: none"> <li>– Stainless Steel TallTub</li> <li>– 6 Wash Cycles and 5 Options</li> </ul> <p><b>Quietness</b></p> <ul style="list-style-type: none"> <li>– Virtually Silent: 40 dBA</li> <li>– Quietest Dishwasher in the U.S.</li> <li>– Two Pumps Minimize Noise &amp; Vibration</li> <li>– Solid Base Contains Sound &amp; Prevents Leaks</li> </ul> <p><b>Efficiency</b></p> <ul style="list-style-type: none"> <li>– 180 kWh/yr –ENERGY STAR® Qualified</li> <li>– Most Efficient Dishwasher in the U.S.</li> <li>– EcoAction™ Option – Bosch Exclusive</li> <li>– EcoSense® Reduces Energy Usage up to 20%</li> <li>– Half Load Option for Small Loads</li> <li>– Flow-Through Water Heater™</li> <li>– Triple Filtration System</li> </ul> <p><b>Safety</b></p> <ul style="list-style-type: none"> <li>– AquaStop® Plus 4-Part 24/7 Leak Protection</li> <li>– Sanitize Option Removes Bacteria &amp; Enhances Drying</li> <li>– Concealed Heating Element</li> <li>– SaniDry™ Condensation Drying</li> </ul> <p><b>Capacity</b></p> <ul style="list-style-type: none"> <li>– 15 Place Setting Capacity</li> <li>– 3rd Rack for Additional Loading Capacity</li> <li>– VarioFlex™ Plus Racks for Flexible Loading</li> <li>– RackMatic® Plus allows 3 Loading Levels</li> <li>– Extra Tall Item Sprinkler Cleans Items 22" Tall</li> </ul> <p><b>Convenience</b></p> <ul style="list-style-type: none"> <li>– Full Text Display</li> <li>– 24 Hour Delay Start Timer</li> <li>– Quick Wash – In 30 Minutes or Less</li> </ul> <p><b>Performance</b></p> <ul style="list-style-type: none"> <li>– OptiDry® for Spotless Drying</li> <li>– Water Softener Ensures Perfect Cleaning</li> <li>– ActiveTab™ Tray Optimizes Det. Dissolving</li> <li>– Variable Spray Pressure</li> <li>– Load Sensor Automates Wash Cycle</li> </ul>	<p><b>Appearance</b></p> <ul style="list-style-type: none"> <li>– Stainless Steel TallTub</li> <li>– 6 Wash Cycles and 5 Options</li> </ul> <p><b>Quietness</b></p> <ul style="list-style-type: none"> <li>– Virtually Silent: 42 dBA</li> <li>– Two Pumps Minimize Noise &amp; Vibration</li> <li>– Solid Base Contains Sound &amp; Prevents Leaks</li> </ul> <p><b>Efficiency</b></p> <ul style="list-style-type: none"> <li>– 180 kWh/yr –ENERGY STAR® Qualified</li> <li>– Most Efficient Dishwasher in the U.S.</li> <li>– EcoAction® Option - Bosch Exclusive</li> <li>– EcoSense® Reduces Energy Usage up to 20%</li> <li>– Half Load Option for Small Loads</li> <li>– Flow-Through Water Heater™</li> <li>– Triple Filtration System</li> </ul> <p><b>Safety</b></p> <ul style="list-style-type: none"> <li>– AquaStop® Plus 4-Part 24/7 Leak Protection</li> <li>– Sanitize Option Removes Bacteria &amp; Enhances Drying</li> <li>– Concealed Heating Element</li> <li>– SaniDry™ Condensation Drying</li> </ul> <p><b>Capacity</b></p> <ul style="list-style-type: none"> <li>– 15 Place Setting Capacity</li> <li>– 3rd Rack for Additional Loading Capacity</li> <li>– VarioFlex™ Racks for Flexible Loading</li> <li>– RackMatic® Plus allows 3 Loading Levels</li> <li>– Extra Tall Item Sprinkler Cleans Items 22" Tall</li> </ul> <p><b>Convenience</b></p> <ul style="list-style-type: none"> <li>– Multi-Function LED with Remaining Time</li> <li>– 24 Hour Delay Start Timer</li> <li>– Quick Wash – In 30 Minutes or Less</li> </ul> <p><b>Performance</b></p> <ul style="list-style-type: none"> <li>– OptiDry® for Spotless Drying</li> <li>– Water Softener Ensures Perfect Cleaning</li> <li>– ActiveTab™ Tray Optimizes Det. Dissolving</li> <li>– Variable Spray Pressure</li> </ul>	<p><b>Appearance</b></p> <ul style="list-style-type: none"> <li>– Stainless Steel TallTub</li> <li>– 6 Wash Cycles and 3 Options</li> </ul> <p><b>Quietness</b></p> <ul style="list-style-type: none"> <li>– Virtually Silent: 44 dBA</li> <li>– Two Pumps Minimize Noise &amp; Vibration</li> <li>– Solid Base Contains Sound &amp; Prevents Leaks</li> </ul> <p><b>Efficiency</b></p> <ul style="list-style-type: none"> <li>– 234 kWh/yr –ENERGY STAR® Qualified</li> <li>– EcoSense® Reduces Energy Usage up to 20%</li> <li>– Half Load Option for Small Loads</li> <li>– Flow-Through Water Heater™</li> <li>– Triple Filtration System</li> </ul> <p><b>Safety</b></p> <ul style="list-style-type: none"> <li>– AquaStop® Leak Protection</li> <li>– Sanitize Option Removes Bacteria &amp; Enhances Drying</li> <li>– NSF Certified – Eliminates 99.9% of Bacteria</li> <li>– Concealed Heating Element</li> <li>– SaniDry™ Condensation Drying</li> </ul> <p><b>Capacity</b></p> <ul style="list-style-type: none"> <li>– 14 Place Setting Capacity</li> <li>– 800 Series Racks with Flexible Silverware Basket</li> <li>– RackMatic® Automatically Adjustable Upper Rack</li> <li>– Extra Tall Item Sprinkler Cleans Items 22" Tall</li> </ul> <p><b>Convenience</b></p> <ul style="list-style-type: none"> <li>– Multi-Function LED with Remaining Time</li> <li>– 19 Hour Delay Start Timer</li> <li>– Quick Wash – In 30 Minutes or Less</li> <li>– End of Cycle Sound</li> </ul> <p><b>Performance</b></p> <ul style="list-style-type: none"> <li>– OptiDry® for Spotless Drying</li> <li>– Variable Spray Pressure</li> </ul>
<b>Accessories</b>	<ul style="list-style-type: none"> <li>– SGZ1010UC Supply and Drainage Hose Extension</li> <li>– SGZ5000 800 Plus 4-Part Accessory Kit</li> <li>– SMZ5002 800 Plus Anti-Tarnish Silverware Cassette</li> <li>– SGZ9091UC Dishwasher Water Softener Salt</li> </ul>	<ul style="list-style-type: none"> <li>– SGZ1010UC Supply and Drainage Hose Extension</li> <li>– SGZ5000 800 Plus 4-Part Accessory Kit</li> <li>– SMZ5002 800 Plus Anti-Tarnish Silverware Cassette</li> <li>– SGZ9091UC Dishwasher Water Softener Salt</li> </ul>	<ul style="list-style-type: none"> <li>– SGZ1010UC Supply and Drainage Hose Extension</li> <li>– SGZ1052 4-Part Accessory Kit</li> <li>– SGZPC001UC Power Cord w/Connectors</li> <li>– SMZ5002UC Anti-Tarnish Silverware Cassette</li> </ul>





# Evolution® Dishwasher Specifications



	500 Series	500 Series	500 Series
<b>Model Numbers</b>	<ul style="list-style-type: none"> <li>– SHE65P05UC Stainless Steel</li> <li>– SHE65P06UC Black</li> <li>– SHE65P02UC White</li> </ul>	<ul style="list-style-type: none"> <li>– SHE55P05UC Stainless Steel</li> <li>– SHE55P06UC Black</li> <li>– SHE55P02UC White</li> </ul>	<ul style="list-style-type: none"> <li>– SHE55M15UC Stainless Steel</li> <li>– SHE55M16UC Black</li> <li>– SHE55M12UC White</li> </ul>
<b>Features</b>	<p><b>Appearance</b></p> <ul style="list-style-type: none"> <li>– Stainless Steel TallTub</li> <li>– 6 Wash Cycles and 3 Options</li> </ul> <p><b>Quietness</b></p> <ul style="list-style-type: none"> <li>– Virtually Silent: 47 dBA</li> <li>– Two Pumps Minimize Noise &amp; Vibration</li> <li>– Solid Base Contains Sound &amp; Prevent Leaks</li> </ul> <p><b>Efficiency</b></p> <ul style="list-style-type: none"> <li>– 259 kWh/yr –ENERGY STAR® Qualified</li> <li>– EcoSense® Reduces Energy Usage up to 20%</li> <li>– Half Load Option for Small Loads</li> <li>– Flow-Through Water Heater™</li> <li>– Triple Filtration System</li> </ul> <p><b>Safety</b></p> <ul style="list-style-type: none"> <li>– AquaStop® Leak Protection</li> <li>– Sanitize Option Removes Bacteria &amp; Enhances Drying</li> <li>– NSF Certified – Eliminates 99.9% of Bacteria</li> <li>– Concealed Heating Element</li> <li>– SaniDry™ Condensation Drying</li> </ul> <p><b>Capacity</b></p> <ul style="list-style-type: none"> <li>– 14 Place Setting Capacity</li> <li>– 500 Series Racks with Flexible Silverware Basket</li> <li>– RackMatic® Automatically Adjustable Upper Rack</li> <li>– Extra Tall Item Sprinkler Cleans Items 22" Tall</li> </ul> <p><b>Convenience</b></p> <ul style="list-style-type: none"> <li>– Multi-Function LED with Remaining Time</li> <li>– 19 Hour Delay Start Timer</li> <li>– Quick Wash –In 30 Minutes or Less</li> <li>– End of Cycle Sound</li> </ul> <p><b>Performance</b></p> <ul style="list-style-type: none"> <li>– OptiDry® for Spotless Drying</li> </ul>	<p><b>Appearance</b></p> <ul style="list-style-type: none"> <li>– Stainless Steel TallTub</li> <li>– 5 Wash Cycles and 3 Options</li> </ul> <p><b>Quietness</b></p> <ul style="list-style-type: none"> <li>– Virtually Silent: 47 dBA</li> <li>– Two Pumps Minimize Noise &amp; Vibration</li> <li>– Solid Base Contains Sound &amp; Prevent Leaks</li> </ul> <p><b>Efficiency</b></p> <ul style="list-style-type: none"> <li>– 259 kWh/yr –ENERGY STAR® Qualified</li> <li>– EcoSense® Reduces Energy Usage up to 20%</li> <li>– Half Load Option for Small Loads</li> <li>– Flow-Through Water Heater™</li> <li>– Triple Filtration System</li> </ul> <p><b>Safety</b></p> <ul style="list-style-type: none"> <li>– AquaStop® Leak Protection</li> <li>– Sanitize Option Removes Bacteria &amp; Enhances Drying</li> <li>– ChildLock Prevents Unwanted Cycle Changes</li> <li>– NSF Certified - Eliminates 99.9% of Bacteria</li> <li>– Concealed Heating Element</li> <li>– SaniDry™ Condensation Drying</li> </ul> <p><b>Capacity</b></p> <ul style="list-style-type: none"> <li>– 14 Place Setting Capacity</li> <li>– 500 Series Racks with Flexible Silverware Basket</li> <li>– RackMatic® Automatically Adjustable Upper Rack</li> <li>– Extra Tall Item Sprinkler Cleans Items 22" Tall</li> </ul> <p><b>Convenience</b></p> <ul style="list-style-type: none"> <li>– Multi-Function LED with Remaining Time</li> <li>– 19 Hour Delay Start Timer</li> <li>– Quick Wash –In 30 Minutes or Less</li> </ul> <p><b>Performance</b></p> <ul style="list-style-type: none"> <li>– OptiDry® for Spotless Drying</li> </ul>	<p><b>Appearance</b></p> <ul style="list-style-type: none"> <li>– Stainless Steel TallTub</li> <li>– 5 Wash Cycles and 3 Options</li> </ul> <p><b>Quietness</b></p> <ul style="list-style-type: none"> <li>– Virtually Silent: 47 dBA</li> <li>– Two Pumps Minimize Noise &amp; Vibration</li> <li>– Solid Base Contains Sound &amp; Prevent Leaks</li> </ul> <p><b>Efficiency</b></p> <ul style="list-style-type: none"> <li>– 259 kWh/yr –ENERGY STAR® Qualified</li> <li>– EcoAction® Option - Bosch Exclusive</li> <li>– EcoSense® Reduces Energy Usage up to 20%</li> <li>– Half Load Option for Small Loads</li> <li>– Flow-Through Water Heater™</li> <li>– Triple Filtration System</li> </ul> <p><b>Safety</b></p> <ul style="list-style-type: none"> <li>– AquaStop® Leak Protection</li> <li>– ChildLock Prevents Unwanted Cycle Changes</li> <li>– NSF Certified - Eliminates 99.9% of Bacteria</li> <li>– Concealed Heating Element</li> <li>– SaniDry™ Condensation Drying</li> </ul> <p><b>Capacity</b></p> <ul style="list-style-type: none"> <li>– 14 Place Setting Capacity</li> <li>– Platinum Mid Racks with Flexible Silverware Basket</li> <li>– RackMatic® Automatically Adjustable Upper Rack</li> <li>– Extra Tall Item Sprinkler Cleans Items 22" Tall</li> </ul> <p><b>Convenience</b></p> <ul style="list-style-type: none"> <li>– Multi-Function LED with Remaining Time</li> <li>– 19 Hour Delay Start Timer</li> <li>– Quick Wash –In 30 Minutes or Less</li> </ul> <p><b>Performance</b></p> <ul style="list-style-type: none"> <li>– OptiDry® for Spotless Drying</li> </ul>
<b>Accessories</b>	<ul style="list-style-type: none"> <li>– SGZ1010UC Supply and Drainage Hose Extension</li> <li>– SGZ1052UC 4-Part Accessory Kit</li> <li>– SGZPC001UC Power Cord w/Connectors</li> <li>– SMZ5002UC Anti-Tarnish Silverware Cassette</li> </ul>	<ul style="list-style-type: none"> <li>– SGZ1010UC Supply and Drainage Hose Extension</li> <li>– SGZ1052UC 4-Part Accessory Kit</li> <li>– SGZPC001UC Power Cord W/Connectors</li> <li>– SMZ5002UC Anti-Tarnish Silverware Cassette</li> </ul>	<ul style="list-style-type: none"> <li>– SGZ1010UC Supply and Drainage Hose Extension</li> <li>– SGZ1052UC 4-Part Accessory Kit</li> <li>– SGZPC001UC Power Cord W/Connectors</li> <li>– SMZ5002UC Anti-Tarnish Silverware Cassette</li> </ul>



500 Series	500 Series	300 Series
<ul style="list-style-type: none"> <li>– SHE55C05UC Stainless Steel</li> </ul>	<ul style="list-style-type: none"> <li>– SHE43P15UC Stainless Steel</li> <li>– SHE43P16UC Black</li> <li>– SHE43P12UC White</li> </ul>	<ul style="list-style-type: none"> <li>– SHE43P05UC Stainless Steel</li> <li>– SHE43P06UC Black</li> <li>– SHE43P02UC White</li> </ul>
		
<p><b>Appearance</b></p> <ul style="list-style-type: none"> <li>– Stainless Steel TallTub</li> <li>– 5 Wash Cycles and 2 Options</li> <li>– Stainless Steel Control Panel</li> </ul> <p><b>Quietness</b></p> <ul style="list-style-type: none"> <li>– Virtually Silent: 48 dBA</li> <li>– Two Pumps Minimize Noise &amp; Vibration</li> <li>– Solid Base Contains Sound &amp; Prevent Leaks</li> </ul> <p><b>Efficiency</b></p> <ul style="list-style-type: none"> <li>– 307 kWh/yr –ENERGY STAR® Qualified</li> <li>– EcoSense® Reduces Energy Usage up to 20%</li> <li>– Half Load Option for Small Loads</li> <li>– Flow-Through Water Heater™</li> <li>– Triple Filtration System</li> </ul> <p><b>Safety</b></p> <ul style="list-style-type: none"> <li>– AquaStop® Leak Protection</li> <li>– ChildLock Prevents Unwanted Cycle Changes</li> <li>– NSF Certified - Eliminates 99.9% of Bacteria</li> <li>– Concealed Heating Element</li> <li>– SaniDry™ Condensation Drying</li> </ul> <p><b>Capacity</b></p> <ul style="list-style-type: none"> <li>– 14 Place Setting Capacity</li> <li>– 500 Series Racks with Flexible Silverware Basket</li> <li>– RackMatic® Automatically Adjustable Upper Rack</li> </ul> <p><b>Convenience</b></p> <ul style="list-style-type: none"> <li>– Multi-Function LED with Remaining Time</li> <li>– 24 Hour Delay Start Timer</li> <li>– Quick Wash –In 30 Minutes or Less</li> </ul> <p><b>Performance</b></p> <ul style="list-style-type: none"> <li>– OptiDry® for Spotless Drying</li> </ul>	<p><b>Appearance</b></p> <ul style="list-style-type: none"> <li>– Stainless Steel TallTub</li> <li>– 4 Wash Cycles and 2 Options</li> </ul> <p><b>Quietness</b></p> <ul style="list-style-type: none"> <li>– Virtually Silent: 50 dBA</li> <li>– Two Pumps Minimize Noise &amp; Vibration</li> <li>– Solid Base Contains Sound &amp; Prevent Leaks</li> </ul> <p><b>Efficiency</b></p> <ul style="list-style-type: none"> <li>– 259 kWh/yr –ENERGY STAR® Qualified</li> <li>– EcoSense® Reduces Energy Usage up to 20%</li> <li>– Half Load Option for Small Loads</li> <li>– Flow-Through Water Heater™</li> <li>– Triple Filtration System</li> </ul> <p><b>Safety</b></p> <ul style="list-style-type: none"> <li>– AquaStop® Leak Protection</li> <li>– ChildLock Prevents Unwanted Cycle Changes</li> <li>– NSF Certified - Eliminates 99.9% of Bacteria</li> <li>– Concealed Heating Element</li> <li>– SaniDry™ Condensation Drying</li> </ul> <p><b>Capacity</b></p> <ul style="list-style-type: none"> <li>– 14 Place Setting Capacity</li> <li>– 300 Series Racks with Flexible Silverware Basket</li> <li>– Manual Height Adjustment Upper Rack</li> <li>– Extra Tall Item Sprinkler Cleans Items 22" Tall</li> </ul> <p><b>Convenience</b></p> <ul style="list-style-type: none"> <li>– Multi-Function LED with Remaining Time</li> <li>– 19 Hour Delay Start Timer</li> <li>– Quick Wash –In 30 Minutes or Less</li> </ul> <p><b>Performance</b></p> <ul style="list-style-type: none"> <li>– OptiDry® for Spotless Drying</li> </ul>	<p><b>Appearance</b></p> <ul style="list-style-type: none"> <li>– Stainless Steel TallTub</li> <li>– 4 Wash Cycles and 2 Options</li> </ul> <p><b>Quietness</b></p> <ul style="list-style-type: none"> <li>– Virtually Silent: 52 dBA</li> <li>– Two Pumps Minimize Noise &amp; Vibration</li> <li>– Solid Base Contains Sound &amp; Prevent Leaks</li> </ul> <p><b>Efficiency</b></p> <ul style="list-style-type: none"> <li>– 259 kWh/yr –ENERGY STAR® Qualified</li> <li>– EcoSense® Reduces Energy Usage up to 20%</li> <li>– Half Load Option for Small Loads</li> <li>– Flow-Through Water Heater™</li> <li>– Triple Filtration System</li> </ul> <p><b>Safety</b></p> <ul style="list-style-type: none"> <li>– AquaStop® Leak Protection</li> <li>– ChildLock Prevents Unwanted Cycle Changes</li> <li>– NSF Certified - Eliminates 99.9% of Bacteria</li> <li>– Concealed Heating Element</li> <li>– SaniDry™ Condensation Drying</li> </ul> <p><b>Capacity</b></p> <ul style="list-style-type: none"> <li>– 14 Place Setting Capacity</li> <li>– 300 Series/Standard Racks with Standard Silverware Basket</li> <li>– Manual Height Adjustment Upper Rack</li> </ul> <p><b>Convenience</b></p> <ul style="list-style-type: none"> <li>– Multi-Function LED with Remaining Time</li> <li>– 19 Hour Delay Start Timer</li> <li>– Quick Wash –In 30 Minutes or Less</li> </ul> <p><b>Performance</b></p> <ul style="list-style-type: none"> <li>– OptiDry® for Spotless Drying</li> </ul>
<ul style="list-style-type: none"> <li>– SGZ1010UC Supply and Drainage Hose Extension</li> <li>– SGZ1052UC 4-Part Accessory Kit</li> <li>– SGZPC001UC Power Cord w/Connectors</li> <li>– SMZ5002UC Anti-Tarnish Silverware Cassette</li> </ul>	<ul style="list-style-type: none"> <li>– SGZ1010UC Supply and Drainage Hose Extension</li> <li>– SGZ1052UC 4-Part Accessory Kit</li> <li>– SGZPC001UC Power Cord W/Connectors</li> <li>– SMZ5002UC Anti-Tarnish Silverware Cassette</li> </ul>	<ul style="list-style-type: none"> <li>– SGZ1010UC Supply and Drainage Hose Extension</li> <li>– SGZ1052UC 4-Part Accessory Kit</li> <li>– SGZPC001UC Power Cord W/Connectors</li> <li>– SMZ5002UC Anti-Tarnish Silverware Cassette</li> </ul>

# Evolution® Dishwasher Specifications



## Colors



**Stainless Steel**  
(SHE43P15UC Model Shown)



**Black**  
(SHE43P16UC Model Shown)












**White**  
(SHE43P12UC Model Shown)

300 Series	
<b>Model Numbers</b>	<ul style="list-style-type: none"> <li>– SGE63E05UC Stainless Steel</li> <li>– SGE63E06UC Black</li> </ul>
<b>Features</b>	<p><b>Appearance</b></p> <ul style="list-style-type: none"> <li>– Stainless Steel EuroTub</li> <li>– 6 Wash Cycles and 5 Options</li> </ul> <p><b>Quietness</b></p> <ul style="list-style-type: none"> <li>– Virtually Silent: 49 dBA</li> <li>– Two Pumps Minimize Noise &amp; Vibration</li> <li>– Solid Base Contains Sound &amp; Prevent Leaks</li> </ul> <p><b>Efficiency</b></p> <ul style="list-style-type: none"> <li>– 234 kWh/yr –ENERGY STAR® Qualified</li> <li>– EcoAction® Option –Bosch Exclusive</li> <li>– EcoSense® Reduces Energy Usage up to 20%</li> <li>– Half Load Option for Small Loads</li> <li>– Flow-Through Water Heater™</li> <li>– Triple Filtration System</li> </ul> <p><b>Safety</b></p> <ul style="list-style-type: none"> <li>– AquaStop® Plus 4-Part 24/7 Leak Protection</li> <li>– Sanitize Option Removes Bacteria &amp; Enhances Drying</li> <li>– Concealed Heating Element</li> <li>– SaniDry™ Condensation Drying</li> </ul> <p><b>Capacity</b></p> <ul style="list-style-type: none"> <li>– 14 Place Setting Capacity</li> <li>– Vario™ Racks for Flexible Loading</li> <li>– RackMatic® Automatically Adjustable Upper Rack</li> <li>– Extra Tall Item Sprinkler Cleans Items 22" Tall</li> </ul> <p><b>Convenience</b></p> <ul style="list-style-type: none"> <li>– Multi-Function LED with Remaining Time</li> <li>– 24 Hour Delay Start Timer</li> <li>– Quick Wash –In 30 Minutes or Less</li> <li>– ADA Compliant</li> </ul> <p><b>Performance</b></p> <ul style="list-style-type: none"> <li>– OptiDry® for Spotless Drying</li> <li>– Water Softener Ensures Perfect Cleaning Results</li> </ul>
<b>Accessories</b>	<ul style="list-style-type: none"> <li>– SGZ1010UC Supply and Drainage Hose Extension</li> <li>– SGZ5000 ADA 4-Part Accessory Kit</li> <li>– SMZ5002 ADA Anti-Tarnish Silverware Cassette</li> <li>– SGZ9091UC Dishwasher Water Softener Salt</li> </ul>



# Ascenta® Dishwasher Specifications



	Ascenta – Integra	Ascenta – Integra	Ascenta – Integra
<b>Model Numbers</b>	<ul style="list-style-type: none"> <li>– SHX6AP05UC Stainless Steel</li> <li>– SHX6AP06UC Black</li> <li>– SHX6AP02UC White</li> </ul>	<ul style="list-style-type: none"> <li>– SHX5AL05UC Stainless Steel</li> <li>– SHX5AL06UC Black</li> <li>– SHX5AL02UC White</li> </ul>	<ul style="list-style-type: none"> <li>– SHX4AP05UC Stainless Steel</li> <li>– SHX4AP06UC Black</li> <li>– SHX4AP02UC White</li> </ul>
<b>Features</b>	<div style="display: flex; justify-content: space-around; align-items: center;">    </div> <p><b>Appearance</b></p> <ul style="list-style-type: none"> <li>– Stainless Steel TallTub w/ *PP</li> <li>– 6 Wash Cycles and 2 Options</li> </ul> <p><b>Quietness</b></p> <ul style="list-style-type: none"> <li>– Virtually Silent: 50 dBA</li> <li>– Two Pumps Minimize Noise &amp; Vibration</li> </ul> <p><b>Efficiency</b></p> <ul style="list-style-type: none"> <li>– 300 kWh/yr –ENERGY STAR® Qualified</li> <li>– EcoSense® Reduces Energy Usage up to 20%</li> <li>– Half Load Option for Small Loads</li> <li>– Flow-Through Water Heater™</li> <li>– Triple Filtration System</li> </ul> <p><b>Safety</b></p> <ul style="list-style-type: none"> <li>– Bosch Exclusive 24/7 Overflow Leak Protection</li> <li>– NSF Certified - Eliminates 99.9% of Bacteria</li> <li>– Concealed Heating Element</li> <li>– SaniDry™ Condensation Drying</li> </ul> <p><b>Capacity</b></p> <ul style="list-style-type: none"> <li>– 14 Place Setting Capacity</li> <li>– 300 Series Racks with Flexible Silverware Basket</li> <li>– Manual Height Adjustment Upper Rack</li> </ul> <p><b>Convenience</b></p> <ul style="list-style-type: none"> <li>– 3 H, 6 H, 9 H Delay Start Timer</li> <li>– Quick Wash – In 30 Minutes or Less</li> </ul> <p><b>Performance</b></p> <ul style="list-style-type: none"> <li>– OptiDry® for Spotless Drying</li> </ul>	<div style="display: flex; justify-content: space-around; align-items: center;">    </div> <p><b>Appearance</b></p> <ul style="list-style-type: none"> <li>– Stainless Steel TallTub w/ *PP</li> <li>– 5 Wash Cycles and 2 Options</li> </ul> <p><b>Quietness</b></p> <ul style="list-style-type: none"> <li>– Virtually Silent: 53 dBA</li> <li>– Two Pumps Minimize Noise &amp; Vibration</li> </ul> <p><b>Efficiency</b></p> <ul style="list-style-type: none"> <li>– 300 kWh/yr –ENERGY STAR® Qualified</li> <li>– EcoSense® Reduces Energy Usage up to 20%</li> <li>– Half Load Option for Small Loads</li> <li>– Flow-Through Water Heater™</li> <li>– Triple Filtration System</li> </ul> <p><b>Safety</b></p> <ul style="list-style-type: none"> <li>– Bosch Exclusive 24/7 Overflow Leak Protection</li> <li>– NSF Certified - Eliminates 99.9% of Bacteria</li> <li>– Concealed Heating Element</li> <li>– SaniDry™ Condensation Drying</li> </ul> <p><b>Capacity</b></p> <ul style="list-style-type: none"> <li>– 14 Place Setting Capacity</li> <li>– Standard Racks with Standard Silverware Basket</li> </ul> <p><b>Convenience</b></p> <ul style="list-style-type: none"> <li>– 3 H, 6 H, 9 H Delay Start Timer</li> <li>– Quick Wash – In 30 Minutes or Less</li> </ul> <p><b>Performance</b></p> <ul style="list-style-type: none"> <li>– OptiDry® for Spotless Drying</li> </ul>	<div style="display: flex; justify-content: space-around; align-items: center;">    </div> <p><b>Appearance</b></p> <ul style="list-style-type: none"> <li>– Stainless Steel TallTub w/ *PP</li> <li>– 4 Wash Cycles and 2 Options</li> </ul> <p><b>Quietness</b></p> <ul style="list-style-type: none"> <li>– Virtually Silent: 53 dBA</li> <li>– Two Pumps Minimize Noise &amp; Vibration</li> </ul> <p><b>Efficiency</b></p> <ul style="list-style-type: none"> <li>– 300 kWh/yr –ENERGY STAR® Qualified</li> <li>– EcoSense® Reduces Energy Usage up to 20%</li> <li>– Half Load Option for Small Loads</li> <li>– Flow-Through Water Heater™</li> <li>– Triple Filtration System</li> </ul> <p><b>Safety</b></p> <ul style="list-style-type: none"> <li>– Bosch Exclusive 24/7 Overflow Leak Protection</li> <li>– NSF Certified - Eliminates 99.9% of Bacteria</li> <li>– Concealed Heating Element</li> <li>– SaniDry™ Condensation Drying</li> </ul> <p><b>Capacity</b></p> <ul style="list-style-type: none"> <li>– 14 Place Setting Capacity</li> <li>– Standard Racks with Standard Silverware Basket</li> </ul> <p><b>Convenience</b></p> <ul style="list-style-type: none"> <li>– 3 H, 6 H, 9 H Delay Start Timer</li> <li>– Quick Wash – In 30 Minutes or Less</li> </ul> <p><b>Performance</b></p> <ul style="list-style-type: none"> <li>– OptiDry® for Spotless Drying</li> </ul>
<b>Accessories</b>	<ul style="list-style-type: none"> <li>– SGZ1010UC Polypropelene Supply and Drainage Hose Extension</li> <li>– SGZ1052UC 4-Part Accessory Kit</li> <li>– SGZPC001UC Power Cord W/Connectors</li> <li>– SMZ5002UC Anti-Tarnish Silverware Cassette</li> </ul>	<ul style="list-style-type: none"> <li>– SGZ1010UC Polypropelene Supply and Drainage Hose Extension</li> <li>– SGZ1052UC 4-Part Accessory Kit</li> <li>– SGZPC001UC Power Cord W/Connectors</li> <li>– SMZ5002UC Anti-Tarnish Silverware Cassette</li> </ul>	<ul style="list-style-type: none"> <li>– SGZ1010UC Polypropelene Supply and Drainage Hose Extension</li> <li>– SGZ1052UC 4-Part Accessory Kit</li> <li>– SGZPC001UC Power Cord W/Connectors</li> <li>– SMZ5002UC Anti-Tarnish Silverware Cassette</li> </ul>

\*Polypropelene

# Ascenta® Dishwasher Specifications



	Ascenta – Evolution	Ascenta – Evolution	Ascenta – Evolution
<b>Model Numbers</b>	<ul style="list-style-type: none"> <li>– SHE6AP05UC Stainless Steel</li> <li>– SHE6AP06UC Black</li> <li>– SHE6AP02UC White</li> </ul>	<ul style="list-style-type: none"> <li>– SHE5AL05UC Stainless Steel</li> <li>– SHE5AL06UC Black</li> <li>– SHE5AL02UC White</li> </ul>	<ul style="list-style-type: none"> <li>– SHE4AM15UC Stainless Steel</li> <li>– SHE4AM16UC Black</li> <li>– SHE4AM12UC White</li> </ul>
<b>Features</b>	<p><b>Appearance</b></p> <ul style="list-style-type: none"> <li>– Stainless Steel TallTub w/ *PP</li> <li>– 6 Wash Cycles and 2 Options</li> </ul> <p><b>Quietness</b></p> <ul style="list-style-type: none"> <li>– Virtually Silent: 50 dBA</li> <li>– Two Pumps Minimize Noise &amp; Vibration</li> </ul> <p><b>Efficiency</b></p> <ul style="list-style-type: none"> <li>– 300 kWh/yr –ENERGY STAR® Qualified</li> <li>– EcoSense® Reduces Energy Usage up to 20%</li> <li>– Half Load Option for Small Loads</li> <li>– Flow-Through Water Heater™</li> <li>– Triple Filtration System</li> </ul> <p><b>Safety</b></p> <ul style="list-style-type: none"> <li>– Bosch Exclusive 24/7 Overflow Leak Protection</li> <li>– ChildLock Prevents Unwanted Cycle Changes</li> <li>– NSF Certified –Eliminates 99.9% of Bacteria</li> <li>– Concealed Heating Element</li> <li>– SaniDry™ Condensation Drying</li> </ul> <p><b>Capacity</b></p> <ul style="list-style-type: none"> <li>– 14 Place Setting Capacity</li> <li>– 300 Series Racks with Flexible Silverware Basket</li> <li>– Manual Height Adjustment Upper Rack</li> </ul> <p><b>Convenience</b></p> <ul style="list-style-type: none"> <li>– Multi-Function LED with Remaining Time</li> <li>– 24 Hour Delay Start Timer</li> <li>– Quick Wash –In 30 Minutes or Less</li> </ul> <p><b>Performance</b></p> <ul style="list-style-type: none"> <li>– OptiDry® for Spotless Drying</li> </ul>	<p><b>Appearance</b></p> <ul style="list-style-type: none"> <li>– Stainless Steel TallTub w/ *PP</li> <li>– 6 Wash Cycles and 2 Options</li> </ul> <p><b>Quietness</b></p> <ul style="list-style-type: none"> <li>– Virtually Silent: 53 dBA</li> <li>– Two Pumps Minimize Noise &amp; Vibration</li> </ul> <p><b>Efficiency</b></p> <ul style="list-style-type: none"> <li>– 300 kWh/yr –ENERGY STAR® Qualified</li> <li>– EcoSense® Reduces Energy Usage up to 20%</li> <li>– Half Load Option for Small Loads</li> <li>– Flow-Through Water Heater™</li> <li>– Triple Filtration System</li> </ul> <p><b>Safety</b></p> <ul style="list-style-type: none"> <li>– Bosch Exclusive 24/7 Overflow Leak Protection</li> <li>– ChildLock Prevents Unwanted Cycle Changes</li> <li>– NSF Certified –Eliminates 99.9% of Bacteria</li> <li>– Concealed Heating Element</li> <li>– SaniDry™ Condensation Drying</li> </ul> <p><b>Capacity</b></p> <ul style="list-style-type: none"> <li>– 14 Place Setting Capacity</li> <li>– 300 Series Racks with Flexible Silverware Basket</li> <li>– Manual Height Adjustment Upper Rack</li> </ul> <p><b>Convenience</b></p> <ul style="list-style-type: none"> <li>– 3 H, 6 H, 9 H Delay Start Timer</li> <li>– Quick Wash –In 30 Minutes or Less</li> </ul> <p><b>Performance</b></p> <ul style="list-style-type: none"> <li>– OptiDry® for Spotless Drying</li> </ul>	<p><b>Appearance</b></p> <ul style="list-style-type: none"> <li>– Stainless Steel TallTub w/ *PP</li> <li>– 4 Wash Cycles and 2 Options</li> </ul> <p><b>Quietness</b></p> <ul style="list-style-type: none"> <li>– Virtually Silent: 53 dBA</li> <li>– Two Pumps Minimize Noise &amp; Vibration</li> </ul> <p><b>Efficiency</b></p> <ul style="list-style-type: none"> <li>– 300 kWh/yr –ENERGY STAR® Qualified</li> <li>– EcoSense® Reduces Energy Usage up to 20%</li> <li>– Half Load Option for Small Loads</li> <li>– Flow-Through Water Heater™</li> <li>– Triple Filtration System</li> </ul> <p><b>Safety</b></p> <ul style="list-style-type: none"> <li>– Bosch Exclusive 24/7 Overflow Leak Protection</li> <li>– ChildLock Prevents Unwanted Cycle Changes</li> <li>– NSF Certified –Eliminates 99.9% of Bacteria</li> <li>– Concealed Heating Element</li> <li>– SaniDry™ Condensation Drying</li> </ul> <p><b>Capacity</b></p> <ul style="list-style-type: none"> <li>– 12 Place Setting Capacity</li> <li>– EasyLoad™ Racks with Standard Silverware Basket</li> <li>– Manual Height Adjustment Upper Rack</li> </ul> <p><b>Convenience</b></p> <ul style="list-style-type: none"> <li>– 3 H, 6 H, 9 H Delay Start Timer</li> <li>– Quick Wash –In 30 Minutes or Less</li> </ul>
<b>Accessories</b>	<ul style="list-style-type: none"> <li>– SGZ1010UC Polypropelene Supply and Drainage Hose Extension</li> <li>– SGZ1052UC 4-Part Accessory Kit</li> <li>– SGZPC001UC Power Cord W/Connectors</li> <li>– SMZ5002UC Anti-Tarnish Silverware Cassette</li> </ul>	<ul style="list-style-type: none"> <li>– SGZ1010UC Polypropelene Supply and Drainage Hose Extension</li> <li>– SGZ1052UC 4-Part Accessory Kit</li> <li>– SGZPC001UC Power Cord W/Connectors</li> <li>– SMZ5002UC Anti-Tarnish Silverware Cassette</li> </ul>	<ul style="list-style-type: none"> <li>– SGZ1010UC Polypropelene Supply and Drainage Hose Extension</li> <li>– SGZ1052UC 4-Part Accessory Kit</li> <li>– SGZPC001UC Power Cord W/Connectors</li> <li>– SMZ5002UC Anti-Tarnish Silverware Cassette</li> </ul>

\*Polypropelene



# Dishwasher Accessories

## Colors



**Stainless Steel**  
(SHE6AP05UC Model Shown)



**Black**  
(SHE6AP06UC Model Shown)



**White**  
(SHE6AP02UC Model Shown)

Accessory Description	Accessory Model No.	Dishwasher Model No.
Stainless Steel Door with Polished and Round Tubular Stainless Steel Handle	SGZ1005UC	SHV43P1, SHV65P and SHV68P Only
Stainless Steel Door with Flat and Matte Stainless Steel Handle	SGZ1006UC	SHV43P1, SHV65P and SHV68P Only
Flat and Matte Stainless Steel Handle	SGZ1007UC	SHV43P1, SHV65P and SHV68P only
Accessory Hinge Kit for US Counter Height Installation	SGZ3022	SRV53C Only
Dishwasher Accessory Kit	SMZ5000	800 Plus, SHE4AM1 and SGE63E Only
Dishwasher Accessory Kit	SGZ1052UC	300, 500, 800 and Ascenta (Excluding SHE4AM1) Only
Anti-Tarnish Silverware Cassette	SMZ5002UC	300, 500, 800 and Ascenta (Excluding SHE4AM1) Only
Anti-Tarnish Silverware Cassette	SMZ5002	800 Plus, SHE4AM1 and SGE63E only
Dishwasher Supply and Drainage Hose Extension	SGZ1010UC	All Models
Dishwasher Power Cord with Connectors	SGZPC001UC	300, 500, 800 and Ascenta only
Dishwasher Softener Salt	SGZ9091UC	800 Plus and SGE63E only
500 Series Upper Rack	SMZ4037UC	300, 500, 800 Produced Before Aug. 09
500 Series Lower Rack	SMZ4038UC	300, 500, 800 Produced Before Aug. 09



**Stainless Steel Door**  
This high-quality stainless steel door provides an attractive and contemporary finish.



**Anti-Tarnish Silverware Cassette**  
This specially designed cassette provides the best wash results and protection for your fine silverware.



**Dishwasher Accessory Kit**  
This all-in-one bundle includes the extra tall item sprinker, vase/bottle holder, 3 plastic item clips and a small item basket.



SGZ1005UC (Optional door with polished and round handle)



SGZ1006UC (Optional door with flat and matte handle)





**You'll use more energy thinking about what to make.** Efficiently engineered, brilliantly designed ovens, microwaves and warming drawers from Bosch give any home chef just the right amount of heat to make great meals. With ovens that cook food more evenly, up to 30% quicker. With cooktop features that detect boil-overs and shut off automatically. And with burners that adjust automatically to the size of your cookware to save energy and increase efficiency. It's a deliciously smart way to cook.

# Ovens

# Microwaves

# Warming Drawers





# If our ovens made dinner any more convenient, you'd have to tip them 20%.

We developed a taste for innovation. In fact, even if we tried to find a room for compromise, we couldn't. Otherwise, it wouldn't be Bosch. So it wouldn't offer the #1 capacity oven on the market. Genuine European Convection. Or our EcoClean™ Self-Clean Cycle. And it certainly wouldn't meet our 100% quality testing before leaving the factory.



## Performance



### #1 in capacity

At 4.7 cubic feet, our oven is the largest on the market. Plus, with 6-way rack adjustability, you can cook for the whole family simultaneously. An expansive viewing window and bright halogen lighting system make monitoring the progress of your meal easier than ever.

### Recessed heating element

A recessed top heating element and a fully concealed bottom heating element allow for greater interior capacity, unprecedented safety when removing dishes, and extremely easy cleaning.



### Genuine European Convection with ACS

This feature offers a powerful 2000-watt third heating element that surrounds the convection fan, circulating preheated air throughout the oven. By optimizing heat circulation, our Advanced Circulation System (ACS) allows food to be cooked more evenly in up to 30% less time.

### Fastest preheat



With the fastest preheat on the market, Bosch ovens can be ready to cook in about seven minutes.

This, combined with the convection mode, allows you to substantially reduce overall cooking time. Also, fast preheat is available for up to seven cooking modes.



### Warming drawer

Convenient.  
Functional. Stylish.

Bosch offers a warming drawer with four settings for prewarming dishes, heating rolls or keeping food hot for late arrivals. With optional convection warming drawer.



### Convection microwave

Bosch convection microwaves offer you faster and more even cooking results than traditional microwaves, and also offer the advantage of having a second convection oven available.



### Meat probe

A standard convenience in many Bosch ovens, this built-in temperature gauge is perfect for keeping tabs on large roasts and poultry dishes. When your dish reaches the preset internal temperature, the oven beeps and turns itself off – giving you optimal temperature control and a better tasting, more nutritious dish.

## Quality



### Telescopic racks

This full-extension rack glides easily on ball bearings and extends over the open oven door for easy access, allowing you to baste large cuts of meat and poultry safely without reaching into the oven. It comes standard on select models and is also available as a separate accessory.

### High-quality rack supports

Bosch's heavy-duty rack supports can hold even the heaviest dishes while allowing racks to glide more smoothly than traditional ribbed oven cavities. They make it easy to change racks or mount telescopic racks while bringing a modern, sleek look to the kitchen.



### ClearTouch® glass touch controls

Bosch ovens offer smooth glass touch controls that are as easy to use as they are beautiful. And with up to 14 heating modes, the perfect program is available at your fingertips, no matter what dish you want to cook.



### Multiple recipes

Our microwaves offer multiple recipe settings to make cooking easier for you, allowing you to spend more time with your family than preparing dinner.

## Efficiency



### EcoClean™ self-clean cycle

Our built-in ovens' 2-hour self-clean cycle, the industry's best, delivers improved energy efficiency by running for the shortest period of time possible and makes the kitchen a safer place. Plus, it allows you to use your time in the kitchen for cooking rather than cleaning.





# Oven Specifications



30" Combination



30" Combination



30" Double

	800 Series	500 Series	800 Series
<b>Model Numbers</b>	– HBL8750UC Stainless Steel	– HBL5750UC Stainless Steel – HBL5760UC Black – HBL5720UC White	– HBL8650UC Stainless Steel
	     	     	     
<b>Features</b>	<p><b>Appearance</b></p> <ul style="list-style-type: none"> <li>– Contemporary Stainless Steel Design</li> <li>– ClearTouch® Glass Control</li> <li>– Flush-to-Cabinet Design</li> <li>– 2-in-1 Design –Oven and Convection Microwave</li> </ul> <p><b>Capacity</b></p> <ul style="list-style-type: none"> <li>– #1 in Capacity at 4.7 Cu. Ft.</li> <li>– Recessed Broil Element for Increased Capacity and Safety</li> <li>– Hidden Bake Element for Increased Capacity</li> </ul> <p><b>Convenience</b></p> <ul style="list-style-type: none"> <li>– Amber-Colored Full Text Display</li> <li>– Timer with Cook Time and Delay Start Function</li> <li>– Extra-Large Door Window for Easy Monitoring of Cooking</li> <li>– Full-extension Telescopic Rack for Convenient Handling</li> <li>– High-Quality, Self-cleaning Rack Supports</li> <li>– Halogen Lights Provide Superior Cavity Illumination</li> <li>– Sabbath Mode</li> </ul> <p><b>Performance</b></p> <ul style="list-style-type: none"> <li>– Genuine European Convection with ACS</li> <li>– Speed Convection Saves up to 30% Time</li> <li>– Fast Preheat Reduces Preheat Time to Around 7 Minutes</li> <li>– 14 Specialized Cooking Modes                             <ul style="list-style-type: none"> <li>– Gourmet Cooking Made Easy</li> </ul> </li> <li>– Custom Cooking Modes: Pizza, Pie, Warm and Proof</li> <li>– Meat Probe Takes Guesswork Out of Cooking</li> <li>– Automatic Temperature Conversion for Convection Cooking</li> <li>– Recipe Mode Provides 30 Pre-Programmed Auto Settings</li> </ul> <p><b>Efficiency</b></p> <ul style="list-style-type: none"> <li>– EcoClean™ 2-Hour Self-Clean Cycle See HMB8050 for Microwave feature</li> </ul>	<p><b>Appearance</b></p> <ul style="list-style-type: none"> <li>– Contemporary Stainless Steel Design</li> <li>– ClearTouch® Glass Control</li> <li>– Retractable Controls for Sleek and Easy-to-Clean Design</li> <li>– Flush-to-Cabinet Design</li> <li>– 2-in-1 Design –Oven and Convection Microwave</li> </ul> <p><b>Capacity</b></p> <ul style="list-style-type: none"> <li>– #1 in Capacity at 4.7 Cu. Ft.</li> <li>– Recessed Broil Element for Increased Capacity and Safety</li> <li>– Hidden Bake Element for Increased Capacity</li> </ul> <p><b>Convenience</b></p> <ul style="list-style-type: none"> <li>– Amber-Colored Full Text Display</li> <li>– Timer with Cook Time and Delay Start Function</li> <li>– Extra-Large Door Window for Easy Monitoring of Cooking</li> <li>– Full-extension Telescopic Rack for Convenient Handling</li> <li>– High-Quality, Self-cleaning Rack Supports</li> <li>– Two Oven Lights to Better Monitor Cooking Progress</li> <li>– Sabbath Mode</li> </ul> <p><b>Performance</b></p> <ul style="list-style-type: none"> <li>– Genuine European Convection with ACS</li> <li>– Speed Convection Saves up to 30% Time</li> <li>– Fast Preheat Reduces Preheat Time to Around 7 Minutes</li> <li>– 14 Specialized Cooking Modes                             <ul style="list-style-type: none"> <li>– Gourmet Cooking Made Easy</li> </ul> </li> <li>– Custom Cooking Modes: Pizza, Pie, Warm and Proof</li> <li>– Meat Probe Takes Guesswork Out of Cooking</li> <li>– Recipe Mode Provides 30 Pre-Programmed Auto Settings</li> </ul> <p><b>Efficiency</b></p> <ul style="list-style-type: none"> <li>– EcoClean™ 2-Hour Self-Clean Cycle See HMB5050 for Microwave feature</li> </ul>	<p><b>Appearance</b></p> <ul style="list-style-type: none"> <li>– Contemporary Stainless Steel Design</li> <li>– ClearTouch® Glass Control</li> <li>– Flush-to-Cabinet Design</li> </ul> <p><b>Capacity</b></p> <ul style="list-style-type: none"> <li>– #1 in Capacity at 4.7 Cu. Ft.</li> <li>– Double Oven for More Capacity and Cooking Flexibility</li> <li>– Recessed Broil Element for Increased Capacity and Safety</li> <li>– Hidden Bake Element for Increased Capacity</li> </ul> <p><b>Convenience</b></p> <ul style="list-style-type: none"> <li>– Amber-Colored Full Text Display</li> <li>– Timer with Cook Time and Delay Start Function</li> <li>– Extra-Large Door Window for Easy Monitoring of Cooking</li> <li>– Full-extension Telescopic Rack for Convenient Handling</li> <li>– High-Quality, Self-cleaning Rack Supports</li> <li>– Halogen Lights Provide Superior Cavity Illumination</li> <li>– Sabbath Mode</li> </ul> <p><b>Performance</b></p> <ul style="list-style-type: none"> <li>– Genuine European Convection with ACS</li> <li>– Speed Convection Saves up to 30% Time</li> <li>– Fast Preheat Reduces Preheat Time to Around 7 Minutes</li> <li>– 14 Specialized Cooking Modes                             <ul style="list-style-type: none"> <li>– Gourmet Cooking Made Easy</li> </ul> </li> <li>– Custom Cooking Modes: Pizza, Pie, Warm and Proof</li> <li>– Meat Probe Takes Guesswork Out of Cooking</li> <li>– Recipe Mode Provides 30 Pre-Programmed Auto Settings</li> </ul> <p><b>Efficiency</b></p> <ul style="list-style-type: none"> <li>– EcoClean™ 2-Hour Self-Clean Cycle</li> </ul>
<b>Accessories</b>	– HEZ1070 30" Ball Bearing Telescopic Rack	– HEZ1070 30" Ball Bearing Telescopic Rack	– HEZ1070 30" Ball Bearing Telescopic Rack






30" Double



27" Double



30" Double

500 Series	500 Series	300 Series
<ul style="list-style-type: none"> <li>– HBL5650UC Stainless Steel</li> <li>– HBL5660UC Black</li> <li>– HBL5620UC White</li> </ul>	<ul style="list-style-type: none"> <li>– HBN5650UC Stainless Steel</li> </ul>	<ul style="list-style-type: none"> <li>– HBL3550UC Stainless Steel</li> <li>– HBL3560UC Black</li> </ul>
		
<p><b>Appearance</b></p> <ul style="list-style-type: none"> <li>– Contemporary Stainless Steel Design</li> <li>– ClearTouch® Glass Control</li> <li>– Retractable Controls for Sleek and Easy-to-Clean Design</li> <li>– Flush-to-Cabinet Design</li> </ul> <p><b>Capacity</b></p> <ul style="list-style-type: none"> <li>– #1 in Capacity at 4.7 Cu. Ft.</li> <li>– Double Oven for More Capacity and Cooking Flexibility</li> <li>– Recessed Broil Element for Increased Capacity and Safety</li> <li>– Hidden Bake Element for Increased Capacity</li> </ul> <p><b>Convenience</b></p> <ul style="list-style-type: none"> <li>– Amber-Colored Full Text Display</li> <li>– Timer with Cook Time and Delay Start Function</li> <li>– Extra-Large Door Window for Easy Monitoring of Cooking</li> <li>– High-Quality, Self-cleaning Rack Supports</li> <li>– Two Oven Lights to Better Monitor Cooking Progress</li> <li>– Sabbath Mode</li> </ul> <p><b>Performance</b></p> <ul style="list-style-type: none"> <li>– Genuine European Convection With ACS</li> <li>– Speed Convection Saves up to 30% Time</li> <li>– Fast Preheat Reduces Preheat Time to around 7 Minutes</li> <li>– 14 Specialized Cooking Modes                             <ul style="list-style-type: none"> <li>– Gourmet Cooking Made Easy</li> </ul> </li> <li>– Thermal Cooking with Bake, Broil and Roast in Lower Oven</li> <li>– Custom Cooking Modes: Pizza, Pie, Warm and Proof</li> <li>– Meat Probe Takes Guesswork out of Cooking</li> <li>– Recipe Mode Provides 30 Pre-Programmed Auto Settings</li> </ul> <p><b>Efficiency</b></p> <ul style="list-style-type: none"> <li>– EcoClean™ 2-Hour Self-Clean Cycle</li> </ul>	<p><b>Appearance</b></p> <ul style="list-style-type: none"> <li>– Contemporary Stainless Steel Design</li> <li>– ClearTouch® Glass Control</li> <li>– Retractable Controls for Sleek and Easy-to-Clean Design</li> <li>– Flush-to-Cabinet Design</li> </ul> <p><b>Capacity</b></p> <ul style="list-style-type: none"> <li>– #1 in Capacity at 4.2 Cu. Ft.</li> <li>– Double Oven for More Capacity and Cooking Flexibility</li> <li>– Recessed Broil Element for Increased Capacity and Safety</li> <li>– Hidden Bake Element for Increased Capacity</li> </ul> <p><b>Convenience</b></p> <ul style="list-style-type: none"> <li>– Amber-Colored Full Text Display</li> <li>– Timer with Cook Time and Delay Start Function</li> <li>– Extra-Large Door Window for Easy Monitoring of Cooking</li> <li>– High-Quality, Self-cleaning Rack Supports</li> <li>– Two Oven Lights to Better Monitor Cooking Progress</li> <li>– Sabbath Mode</li> </ul> <p><b>Performance</b></p> <ul style="list-style-type: none"> <li>– Genuine European Convection With ACS</li> <li>– Speed Convection Saves up to 30% Time</li> <li>– Fast Preheat Reduces Preheat Time to around 7 Minutes</li> <li>– 14 Specialized Cooking Modes                             <ul style="list-style-type: none"> <li>– Gourmet Cooking Made Easy</li> </ul> </li> <li>– Thermal Cooking with Bake, Broil and Roast in Lower Oven</li> <li>– Custom Cooking Modes: Pizza, Pie, Warm and Proof</li> <li>– Meat Probe Takes Guesswork out of Cooking</li> <li>– Recipe Mode Provides 30 Pre-Programmed Auto Settings</li> </ul> <p><b>Efficiency</b></p> <ul style="list-style-type: none"> <li>– EcoClean™ 2-Hour Self-Clean Cycle</li> </ul>	<p><b>Appearance</b></p> <ul style="list-style-type: none"> <li>– Contemporary Stainless Steel Design</li> <li>– ClearTouch® Glass Control</li> <li>– Dial Controls –Direct Access to Cooking Modes</li> <li>– Flush-to-Cabinet Design</li> </ul> <p><b>Capacity</b></p> <ul style="list-style-type: none"> <li>– #1 in Capacity at 4.7 Cu. Ft.</li> <li>– Double Oven for More Capacity and Cooking Flexibility</li> <li>– Recessed Broil Element for Increased Capacity and Safety</li> <li>– Hidden Bake Element for Increased Capacity</li> </ul> <p><b>Convenience</b></p> <ul style="list-style-type: none"> <li>– Amber-Colored LCD Display</li> <li>– Timer with Cook Time Function</li> <li>– LCD Preheat Monitor Shows Progress of Preheat Cycle</li> <li>– Extra-Large Door Window for Easy Monitoring of Cooking</li> <li>– High-Quality, Self-cleaning Rack Supports</li> </ul> <p><b>Performance</b></p> <ul style="list-style-type: none"> <li>– 10 Cooking Modes for Convenient Every Day Cooking</li> <li>– Thermal Cooking with Bake, Broil and Roast in Lower Oven</li> <li>– Recipe Mode Provides 30 Pre-Programmed Auto Settings</li> </ul> <p><b>Efficiency</b></p> <ul style="list-style-type: none"> <li>– EcoClean™ 2-Hour Self-Clean Cycle</li> </ul>
<ul style="list-style-type: none"> <li>– HEZ1070 30" Ball Bearing Telescopic Rack</li> </ul>	<ul style="list-style-type: none"> <li>– HEZ1077 27" Ball Bearing Telescopic Rack</li> </ul>	<ul style="list-style-type: none"> <li>– HEZ1070 30" Ball Bearing Telescopic Rack</li> </ul>



# Oven Specifications


















27" Double



30" Single



30" Single

	300 Series	800 Series	500 Series
<b>Model Numbers</b>	– HBN3550UC Stainless Steel	– HBL8450UC Stainless Steel	– HBL5450UC Stainless Steel – HBL5460UC Black – HBL5420UC White
	  	     	     
<b>Features</b>	<p><b>Appearance</b></p> <ul style="list-style-type: none"> <li>– Contemporary Stainless Steel Design</li> <li>– ClearTouch® Glass Control</li> <li>– Dial Controls –Direct Access to Cooking Modes</li> <li>– Flush-to-Cabinet Design</li> </ul> <p><b>Capacity</b></p> <ul style="list-style-type: none"> <li>– #1 in Capacity at 4.2 Cu. Ft.</li> <li>– Double Oven for More Capacity and Cooking Flexibility</li> <li>– Recessed Broil Element for Increased Capacity and Safety</li> <li>– Hidden Bake Element for Increased Capacity</li> </ul> <p><b>Convenience</b></p> <ul style="list-style-type: none"> <li>– Amber-Colored Full Text Display</li> <li>– Amber-Colored LCD Display</li> <li>– Timer with Cook Time Function</li> <li>– LCD Preheat Monitor Shows Progress of Preheat Cycle</li> <li>– Extra-Large Door Window for Easy Monitoring of Cooking</li> <li>– High-Quality, Self-cleaning Rack Supports</li> </ul> <p><b>Performance</b></p> <ul style="list-style-type: none"> <li>– 10 Cooking Modes for Convenient Every Day Cooking</li> <li>– Thermal Cooking with Bake, Broil and Roast in Lower Oven</li> </ul> <p><b>Efficiency</b></p> <ul style="list-style-type: none"> <li>– EcoClean™ 2-Hour Self-Clean Cycle</li> </ul>	<p><b>Appearance</b></p> <ul style="list-style-type: none"> <li>– Contemporary Stainless Steel Design</li> <li>– ClearTouch® Glass Control</li> <li>– Flush-to-Cabinet Design</li> </ul> <p><b>Capacity</b></p> <ul style="list-style-type: none"> <li>– #1 in Capacity at 4.7 Cu. Ft.</li> <li>– Recessed Broil Element for Increased Capacity and Safety</li> <li>– Hidden Bake Element for Increased Capacity</li> </ul> <p><b>Convenience</b></p> <ul style="list-style-type: none"> <li>– Amber-Colored Full Text Display</li> <li>– Timer with Cook Time and Delay Start Function</li> <li>– Extra-Large Door Window for Easy Monitoring of Cooking</li> <li>– Full-extension Telescopic Rack for Convenient Handling</li> <li>– High-Quality, Self-cleaning Rack Supports</li> <li>– Halogen Lights Provide Superior Cavity Illumination</li> <li>– Sabbath Mode</li> </ul> <p><b>Performance</b></p> <ul style="list-style-type: none"> <li>– Genuine European Convection With ACS</li> <li>– Speed Convection Saves up to 30% Time</li> <li>– Fast Preheat Reduces Preheat Time to around 7 Minutes</li> <li>– 14 Specialized Cooking Modes                             <ul style="list-style-type: none"> <li>– Gourmet Cooking Made Easy</li> </ul> </li> <li>– Custom Cooking Modes: Pizza, Pie, Warm and Proof</li> <li>– Meat Probe Takes Guesswork out of Cooking</li> <li>– Automatic Temperature Conversion for Convection Cooking</li> <li>– Recipe Mode Provides 30 Pre-Programmed Auto Settings</li> </ul> <p><b>Efficiency</b></p> <ul style="list-style-type: none"> <li>– EcoClean™ 2-Hour Self-Clean Cycle</li> </ul>	<p><b>Appearance</b></p> <ul style="list-style-type: none"> <li>– Contemporary Stainless Steel Design</li> <li>– ClearTouch® Glass Control</li> <li>– Retractable Controls for Sleek and Easy-to-Clean Design</li> <li>– Flush-to-Cabinet Design</li> </ul> <p><b>Capacity</b></p> <ul style="list-style-type: none"> <li>– #1 in Capacity at 4.7 Cu. Ft.</li> <li>– Double Oven for More Capacity and Cooking Flexibility</li> <li>– Recessed Broil Element for Increased Capacity and Safety</li> <li>– Hidden Bake Element for Increased Capacity</li> </ul> <p><b>Convenience</b></p> <ul style="list-style-type: none"> <li>– Amber-Colored Full Text Display</li> <li>– Timer with Cook Time and Delay Start Function</li> <li>– Extra-Large Door Window for Easy Monitoring of Cooking</li> <li>– High-Quality, Self-cleaning Rack Supports</li> <li>– Two Oven Lights to Better Monitor Cooking Progress</li> <li>– Sabbath Mode</li> </ul> <p><b>Performance</b></p> <ul style="list-style-type: none"> <li>– Genuine European Convection With ACS</li> <li>– Speed Convection Saves up to 30% Time</li> <li>– Fast Preheat Reduces Preheat Time to around 7 Minutes</li> <li>– 14 Specialized Cooking Modes                             <ul style="list-style-type: none"> <li>– Gourmet Cooking Made Easy</li> </ul> </li> <li>– Custom Cooking Modes: Pizza, Pie, Warm and Proof</li> <li>– Meat Probe Takes Guesswork out of Cooking</li> <li>– Recipe Mode Provides 30 Pre-Programmed Auto Settings</li> </ul> <p><b>Efficiency</b></p> <ul style="list-style-type: none"> <li>– EcoClean™ 2-Hour Self-Clean Cycle</li> </ul>
<b>Accessories</b>	– HEZ1077 27" Ball Bearing Telescopic Rack	– HEZ1070 30" Ball Bearing Telescopic Rack	– HEZ1070 30" Ball Bearing Telescopic Rack






27" Single



30" Single



30" Single

500 Series	300 Series	300 Series
<ul style="list-style-type: none"> <li>– HBN5450UC Stainless Steel</li> </ul>	<ul style="list-style-type: none"> <li>– HBL3450UC Stainless Steel</li> <li>– HBL3460UC Black</li> </ul>	<ul style="list-style-type: none"> <li>– HBL3350UC Stainless Steel</li> <li>– HBL3360UC Black</li> </ul>
		
<p><b>Appearance</b></p> <ul style="list-style-type: none"> <li>– Contemporary Stainless Steel Design</li> <li>– ClearTouch® Glass Control</li> <li>– Retractable Controls for Sleek and Easy-to-Clean Design</li> <li>– Flush-to-Cabinet Design</li> </ul> <p><b>Capacity</b></p> <ul style="list-style-type: none"> <li>– #1 in Capacity at 4.2 Cu. Ft.</li> <li>– Recessed Broil Element for Increased Capacity and Safety</li> <li>– Hidden Bake Element for Increased Capacity</li> </ul> <p><b>Convenience</b></p> <ul style="list-style-type: none"> <li>– Amber-Colored Full Text Display</li> <li>– Timer with Cook Time and Delay Start Function</li> <li>– Extra-Large Door Window for Easy Monitoring of Cooking</li> <li>– High-Quality, Self-cleaning Rack Supports</li> <li>– Two Oven Lights to Better Monitor Cooking Progress</li> <li>– Sabbath Mode</li> </ul> <p><b>Performance</b></p> <ul style="list-style-type: none"> <li>– Genuine European Convection With ACS</li> <li>– Speed Convection Saves up to 30% Time</li> <li>– Fast Preheat Reduces Preheat Time to around 7 Minutes</li> <li>– 14 Specialized Cooking Modes                             <ul style="list-style-type: none"> <li>– Gourmet Cooking Made Easy</li> </ul> </li> <li>– Custom Cooking Modes: Pizza, Pie, Warm and Proof</li> <li>– Meat Probe Takes Guesswork out of Cooking</li> <li>– Recipe Mode Provides 30 Pre-Programmed Auto Settings</li> </ul> <p><b>Efficiency</b></p> <ul style="list-style-type: none"> <li>– EcoClean™ 2-Hour Self-Clean Cycle</li> </ul>	<p><b>Appearance</b></p> <ul style="list-style-type: none"> <li>– Contemporary Stainless Steel Design</li> <li>– ClearTouch® Glass Control</li> <li>– Dial Controls –Direct Access to Cooking Modes</li> <li>– Flush-to-Cabinet Design</li> </ul> <p><b>Capacity</b></p> <ul style="list-style-type: none"> <li>– #1 in Capacity at 4.7 Cu. Ft.</li> <li>– Recessed Broil Element for Increased Capacity and Safety</li> <li>– Hidden Bake Element for Increased Capacity</li> </ul> <p><b>Convenience</b></p> <ul style="list-style-type: none"> <li>– Amber-Colored LCD Display</li> <li>– Timer with Cook Time Function</li> <li>– LCD Preheat Monitor Shows Progress of Preheat Cycle</li> <li>– Extra-Large Door Window for Easy Monitoring of Cooking</li> <li>– High-Quality, Self-cleaning Rack Supports</li> </ul> <p><b>Performance</b></p> <ul style="list-style-type: none"> <li>– 10 Cooking Modes for Convenient Every Day Cooking</li> </ul> <p><b>Efficiency</b></p> <ul style="list-style-type: none"> <li>– EcoClean™ 2-Hour Self-Clean Cycle</li> </ul>	<p><b>Appearance</b></p> <ul style="list-style-type: none"> <li>– Contemporary Stainless Steel Design</li> <li>– ClearTouch® Glass Control</li> <li>– Dial Controls –Direct Access to Cooking Modes</li> <li>– Flush-to-Cabinet Design</li> </ul> <p><b>Capacity</b></p> <ul style="list-style-type: none"> <li>– #1 in Capacity at 4.7 Cu. Ft.</li> <li>– Recessed Broil Element for Increased Capacity and Safety</li> <li>– Hidden Bake Element for Increased Capacity</li> </ul> <p><b>Convenience</b></p> <ul style="list-style-type: none"> <li>– Amber-Colored LCD Display</li> <li>– Timer with Cook Time Function</li> <li>– LCD Preheat Monitor Shows Progress of Preheat Cycle</li> <li>– Extra-Large Door Window for Easy Monitoring of Cooking</li> <li>– High-Quality, Self-cleaning Rack Supports</li> </ul> <p><b>Performance</b></p> <ul style="list-style-type: none"> <li>– Thermal Cooking with Bake, Broil and Roast</li> </ul> <p><b>Efficiency</b></p> <ul style="list-style-type: none"> <li>– EcoClean™ 2-Hour Self-Clean Cycle</li> </ul>
<ul style="list-style-type: none"> <li>– HEZ1077 27" Ball Bearing Telescopic Rack</li> </ul>	<ul style="list-style-type: none"> <li>– HEZ1070 30" Ball Bearing Telescopic Rack</li> </ul>	<ul style="list-style-type: none"> <li>– HEZ1070 30" Ball Bearing Telescopic Rack</li> </ul>








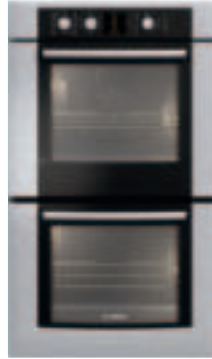
# Oven Specifications



27" Single

300 Series	
<b>Model Numbers</b>	– HBN3450UC Stainless Steel
	  
<b>Features</b>	<p><b>Appearance</b></p> <ul style="list-style-type: none"> <li>– Contemporary Stainless Steel Design</li> <li>– ClearTouch® Glass Control</li> <li>– Dial Controls – Direct Access to Cooking Modes</li> <li>– Flush-to-Cabinet Design</li> </ul> <p><b>Capacity</b></p> <ul style="list-style-type: none"> <li>– #1 in Capacity at 4.2 Cu. Ft.</li> <li>– Recessed Broil Element for Increased Capacity and Safety</li> <li>– Hidden Bake Element for Increased Capacity</li> </ul> <p><b>Convenience</b></p> <ul style="list-style-type: none"> <li>– Amber-Colored LCD Display</li> <li>– Timer with Cook Time Function</li> <li>– LCD Preheat Monitor Shows Progress of Preheat Cycle</li> <li>– Extra-Large Door Window for Easy Monitoring of Cooking</li> <li>– High-Quality, Self-cleaning Rack Supports</li> </ul> <p><b>Performance</b></p> <ul style="list-style-type: none"> <li>– 10 Cooking Modes for Convenient, Every Day Cooking Efficiency</li> </ul> <p><b>Efficiency</b></p> <ul style="list-style-type: none"> <li>– EcoClean™ 2-Hour Self-Clean Cycle</li> </ul>
<b>Accessories</b>	– HEZ1077 27" Ball Bearing Telescopic Rack

## Colors



**Stainless Steel**  
(HBL5650UC Model Shown)



**Black**  
(HBL5660UC Model Shown)



**White**  
(HBL5620UC Model Shown)



# Microwave Specifications











Built-In



Built-In





Over-the-Range

	Convection	Traditional	
<b>Model Numbers</b>	<ul style="list-style-type: none"> <li>– HMB8050 Stainless Steel</li> <li>– HMB8060 Black</li> <li>– HMB8020 White</li> </ul>	<ul style="list-style-type: none"> <li>– HMB5050 Stainless Steel</li> <li>– HMB5060 Black</li> <li>– HMB5020 White</li> </ul>	<ul style="list-style-type: none"> <li>– HMV9305 Stainless Steel</li> <li>– HMV9306 Black</li> <li>– HMV9302 White</li> </ul>
<b>Features</b>	<div style="display: flex; justify-content: space-around; align-items: center;">    </div> <p><b>Appearance</b></p> <ul style="list-style-type: none"> <li>– Built-in Microwave Design –Matched for Use in Combination with Bosch Wall Oven</li> <li>– Contemporary Stainless Steel Design</li> <li>– Flush-to-Cabinet Design</li> <li>– ClearTouch® Glass Control</li> <li>– Available with 27" or 30" Trim Kit for Built-in Installation</li> </ul> <p><b>Capacity</b></p> <ul style="list-style-type: none"> <li>– 1.5 Cu. Ft. Stainless Steel Cavity</li> <li>– 15" Recessed Ceramic Turntable</li> </ul> <p><b>Convenience</b></p> <ul style="list-style-type: none"> <li>– Amber-Colored LCD Display</li> <li>– Automatic Convection Bake for Cake and Pie</li> <li>– Keep Warm Program</li> <li>– Quick Min. Conveniently Adds Cooking Time with One Touch</li> <li>– Convenient Automatic Sensor Programs Simplify Cooking for Great Results Every Time</li> <li>– Smart Sensor Reheat Program Automatically Sets Cooking Power and Time Based on Serving Size</li> <li>– Timer with Cook Time and Delay Start Function</li> </ul> <p><b>Performance</b></p> <ul style="list-style-type: none"> <li>– Convection Bake for Even Baking of Smaller Items</li> <li>– Quick Defrost –Defrosts Foods such as Meat, Poultry and Seafood</li> <li>– Innovative Microwave Inverter Technology –More Even Cooking From Center to Crust</li> <li>– 1,000 Watt Microwave Power</li> <li>– Popcorn Program –Get Fully "Popped" Popcorn Simply by Entering the Bag Size</li> <li>– 10 Microwave Power Levels</li> </ul>	<div style="display: flex; justify-content: space-around; align-items: center;">   </div> <p><b>Appearance</b></p> <ul style="list-style-type: none"> <li>– Built-in Microwave Design –Matched for Use in Combination with Bosch Wall Oven</li> <li>– Contemporary Stainless Steel Design</li> <li>– Flush-to-Cabinet Design</li> <li>– ClearTouch® Glass Control</li> <li>– Available with 27" or 30" Trim Kit for Built-in Installation</li> </ul> <p><b>Capacity</b></p> <ul style="list-style-type: none"> <li>– 2.1 Cu. Ft. Large Cavity</li> <li>– 16 1/2" Recessed Glass Turntable</li> </ul> <p><b>Convenience</b></p> <ul style="list-style-type: none"> <li>– Amber-Colored LCD Display</li> <li>– Keep Warm Program</li> <li>– Quick Min. Conveniently Adds Cooking Time with One Touch</li> <li>– Convenient Automatic Sensor Programs Simplify Cooking for Great Results Every Time</li> <li>– Smart Sensor Reheat Program Automatically Sets Cooking Power and Time Based on Serving Size</li> <li>– Timer with Cook Time and Delay Start Function</li> </ul> <p><b>Performance</b></p> <ul style="list-style-type: none"> <li>– Beverages –Reheats One or Two Cups of Room Temperature Beverages Without Setting Power and Time</li> <li>– Quick Defrost –Defrosts Foods Such as Meat</li> <li>– Innovative Microwave Inverter Technology –More Even Cooking From Center to Crust</li> <li>– 1,200 Watt Microwave Power</li> <li>– Popcorn Program –Get Fully "Popped" Popcorn Simply by Entering the Bag Size</li> <li>– 10 Microwave Power Levels</li> </ul>	<div style="display: flex; justify-content: space-around; align-items: center;">    </div> <p><b>Appearance</b></p> <ul style="list-style-type: none"> <li>– OTR Microwave Design –Matched for Use in Combination with Bosch Range or Cooktop</li> <li>– ClearTouch® Glass Control</li> </ul> <p><b>Capacity</b></p> <ul style="list-style-type: none"> <li>– 1.8 Cu. Ft. Large Cavity</li> <li>– 12" Recessed Stoppable Glass Turntable</li> <li>– Additional Rack Doubles Cooking Capacity</li> </ul> <p><b>Convenience</b></p> <ul style="list-style-type: none"> <li>– Amber-Colored LCD Display</li> <li>– Side-hinged Door Allows Full Access to Microwave Cavity</li> <li>– Dishwasher Safe Grease Filters</li> <li>– Installation for Recirculation or Outside Venting</li> <li>– Keep Warm Program</li> <li>– Delay Shut-off for Cooktop Light</li> <li>– Program Cooking with up to Three Cycles</li> <li>– Convenient Automatic Sensor Programs Simplify Cooking for Great Results</li> <li>– Smart Sensor Reheat Program Automatically Sets Cooking Power and Time Based on Serving Size</li> <li>– Timer with Cook Time and Delay Start</li> </ul> <p><b>Performance</b></p> <ul style="list-style-type: none"> <li>– Auto and Quick Defrost –Defrosts Foods Such as Meat</li> <li>– Two Speed Vent with up to 300 CFM Power</li> <li>– Two 40 Watt Lights for Bright Cooktop Illumination</li> <li>– 1,000 Watt Microwave Power</li> <li>– Popcorn Program –Get Fully "Popped" Popcorn Simply by Entering the Bag Size</li> <li>– 10 Microwave Power Levels</li> </ul>
<b>Accessories</b>	<ul style="list-style-type: none"> <li>– HMT8750 Matching Built-In Trim Kit 27"</li> <li>– HMT8050 Matching Built-In Trim Kit 30" Stainless Steel</li> <li>– HMT8060 Matching Built-In Trim Kit 30" Black</li> <li>– HMT8020 Matching Built-In Trim Kit 30" White</li> </ul>	<ul style="list-style-type: none"> <li>– HMT5750 Matching Built-In Trim Kit 27"</li> <li>– HMT5050 Matching Built-In Trim Kit 30" Stainless Steel</li> <li>– HMT5060 Matching Built-In Trim Kit 30" Black</li> <li>– HMT5020 Matching Built-In Trim Kit 30" White</li> </ul>	

# Microwave Specifications



Over-the-Range

300 Series	
<b>Model Numbers</b>	<ul style="list-style-type: none"> <li>– HMV3051U Stainless Steel</li> <li>– HMV3061U Black</li> <li>– HMV3021U White</li> </ul>
	 
<b>Features</b>	<p><b>Appearance</b></p> <ul style="list-style-type: none"> <li>– OTR Microwave Design –Matched for Use in Combination with Bosch Range or Cooktop</li> <li>– ClearTouch® Glass Control</li> </ul> <p><b>Capacity</b></p> <ul style="list-style-type: none"> <li>– 1.6 Cu. Ft. Large Cavity</li> <li>– 12" Recessed Stoppable Glass Turntable</li> <li>– Additional Rack Doubles Cooking Capacity</li> </ul> <p><b>Convenience</b></p> <ul style="list-style-type: none"> <li>– Easy-to-Read LCD Display</li> <li>– Easy-to-Use Touch Control</li> <li>– Side-hinged Door Allows Full Access to Microwave Cavity</li> <li>– Installation for Recirculation or Outside Venting</li> <li>– Keep Warm Program</li> <li>– Delay Shut-off for Cooktop Light</li> <li>– Program Cooking with up to Two Cycles</li> <li>– Reheat Setting Automatically determines Power Level and Cooking Time</li> <li>– Potato Program Perfectly Prepares Baked Potatoes</li> <li>– Automatic Defrost Automatically Determines Power Level and Cooking Time</li> <li>– Popcorn Program –Get Fully "Popped" Popcorn Simply by Entering the Bag Size</li> <li>– Timer with Cook Time and Automatic Shut Off Function</li> <li>– Convenient Kitchen Timer</li> <li>– Easily Adds 30 seconds to Cooking Time</li> <li>– Quick Setting for 1 2 or 3 Minute Cooking at 100% Power</li> </ul> <p><b>Performance</b></p> <ul style="list-style-type: none"> <li>– 1,000 Watt Microwave Power</li> <li>– 10 Microwave Power Levels</li> <li>– Two Speed Vent with up to 300 CFM Power</li> <li>– Two 30 Watts Lights for Bright Cooktop Illumination</li> </ul>

## Colors



**Stainless Steel**  
(HMB5050 Model Shown)



**Black**  
(HMB5060 Model Shown)



**White**  
(HMB5020 Model Shown)

## Colors



**Stainless Steel**  
(HWD3050UC Model Shown)



**Black**  
(HWD3060UC Model Shown)



**White**  
(HWD3020UC Model Shown)



# Warming Drawer Specifications









30"



30"



27"

	Convection	Traditional	Traditional
<b>Model Numbers</b>	– HWC800500 Stainless Steel	– HWD3050UC Stainless Steel – HWD3060UC Black – HWD3020UC White	– HWD2750UC Stainless Steel
	 	 	 
<b>Features</b>	<p><b>Appearance</b></p> <ul style="list-style-type: none"> <li>– Built-in Convection Warming Drawer Design-matched for Use in Combination with Bosch Wall Oven</li> <li>– Flush-to-Cabinet Design</li> <li>– ClearTouch® Glass Control</li> </ul> <p><b>Capacity</b></p> <ul style="list-style-type: none"> <li>– 1.9 Cu. Ft. Large Cavity</li> <li>– Lower Side Walls Allow Easy Loading and Unloading of Drawer</li> </ul> <p><b>Convenience</b></p> <ul style="list-style-type: none"> <li>– Amber-Colored LCD Display</li> <li>– Sturdy Ball Bearing Telescopic Rails for Smooth Opening</li> <li>– Hot Surface Indicator Light</li> <li>– Easy-to-Clean Glass Ceramic Interior</li> <li>– Automatic Shut-Off Function with Adjustable Timer</li> </ul> <p><b>Performance</b></p> <ul style="list-style-type: none"> <li>– Plate Warming Mode Uses Convection for More Even Warming of Large Stack of Plates</li> <li>– Durable, High-Quality Glass Ceramic Heating Surface</li> <li>– Faster and More Even Heat Distribution with 600 Watt Glass Ceramic Heating Surface</li> <li>– Three Temperature Levels</li> </ul>	<p><b>Appearance</b></p> <ul style="list-style-type: none"> <li>– Built-in Warming Drawer Design-matched for Use in Combination with Bosch Wall Oven</li> <li>– Flush-to-Cabinet Design</li> <li>– ClearTouch® Glass Control</li> </ul> <p><b>Capacity</b></p> <ul style="list-style-type: none"> <li>– 2 Cu. Ft. Large Cavity</li> <li>– Lower Side Walls Allow Easy Loading and Unloading of Drawer</li> </ul> <p><b>Convenience</b></p> <ul style="list-style-type: none"> <li>– Amber-Colored LCD Display</li> <li>– Sturdy Ball Bearing Telescopic Rails for Smooth Opening</li> <li>– Moisture Selector to Adjust Humidity Level Inside the Drawer (e.g. "Moist" to Keep Warm a Roast)</li> <li>– Sabbath Mode</li> <li>– Automatic Shut-Off Function with Adjustable Timer</li> </ul> <p><b>Performance</b></p> <ul style="list-style-type: none"> <li>– 450 Watt Heating Element Concealed Below Drawer</li> <li>– Three Temperature Levels</li> <li>– Special Dough Proofing Mode</li> </ul>	<p><b>Appearance</b></p> <ul style="list-style-type: none"> <li>– Built-in Warming Drawer Design-matched for Use in Combination with Bosch Wall Oven</li> <li>– Flush-to-Cabinet Design</li> <li>– ClearTouch® Glass Control</li> </ul> <p><b>Capacity</b></p> <ul style="list-style-type: none"> <li>– 1.8 Cu. Ft. Large Cavity</li> <li>– Lower Side Walls Allow Easy Loading and Unloading of Drawer</li> </ul> <p><b>Convenience</b></p> <ul style="list-style-type: none"> <li>– Amber-Colored LCD Display</li> <li>– Sturdy Ball Bearing Telescopic Rails for Smooth Opening</li> <li>– Moisture Selector to Adjust Humidity Level Inside the Drawer (e.g. "Moist" to Keep Warm a Roast)</li> <li>– Sabbath Mode</li> <li>– Automatic Shut-Off Function with Adjustable Timer</li> </ul> <p><b>Performance</b></p> <ul style="list-style-type: none"> <li>– 450 Watt Heating Element Concealed Below Drawer</li> <li>– Three Temperature Levels</li> <li>– Special Dough Proofing Mode</li> </ul>



# Cooktops

Induction | Gas | Electric





### Induction cooktops

Induction cooktops are a revolutionary way of cooking that use the power of electromagnetic waves to quickly and efficiently turn the bottom of a pot into an active heating surface, rather than the cooktop. Induction cooktops use 60% less energy than cooking with gas and heat food over two times faster than electric cooktops.

### Gas cooktops

To create a variety of dishes, you need a versatile cooktop. High-BTU-output burners deliver a range of flame settings, while a separate, low-output burner provides gentle simmering. The large dials are easy to adjust to get the perfect flame. Multiple-size burners accommodate all cooking styles. And the burners' sealed, recessed design contains spills and makes cleanup easy.

### Electric cooktops

From the simple elegance of the ceramic-glass cooking surface to the exciting performance features, Bosch electric cooktops are the very image of understated sophistication for the kitchen. Whether you choose the refined touch-control models or the familiarity of our rotary-dial units, you'll find a model that suits your design aesthetic and cooking style.

Model shown left: NIT8665UC

Model shown above: NGM8054UC

Model shown below: NET8654UC



# Three brilliant ways to cook. One superior way to engineer them.

With gas, electric and induction cooktops, your Bosch kitchen design options have become limitless while the performance remains legendary. Gas provides perfect flame control, from 17,000 BTUs to soft simmering. Electric offers sleek, contemporary Touch Controls. And our induction cooktops heat food over 50% faster than electric and use 60% less energy than gas.



## Quality



### AutoChef™

A Bosch exclusive: Maintains exact frying temperature for perfect results and convenient, healthy, nutritional cooking. Nine cooking programs and four temperature settings are available for your convenience.



### SteelTouch™ Controls

The controls—incredibly responsive and seamless with the sharp stainless steel design—make 17 different heat levels all accessible at the touch of a finger.



### Glass Touch Control

This touch-sensitive control panel uses the most advanced technology on the market. It has a digital readout of the chosen power setting and residual heat indicator to prevent accidental injury.



### PreciseSelect™

Easily change the heat level of the cooktop by selecting any of the 17 different levels. Get the beauty of touch controls with the ease of knobs.



## Safety

### ChildLock

Bosch induction cooktops take safety up a notch. The ChildLock function prevents the cooktop from being accidentally switched on.

### Anti-Overflow system

Sensors in the glass can detect large spills or excessive overflow, automatically shut off the cooktop, and sound an alarm to alert you of the situation.

### Automatic shut-off system

Safety comes first. So Bosch induction cooktops are designed to automatically switch off when the unit exceeds a maximum temperature limit.

### Safe Start

This safety feature accurately distinguishes between pots or pans and smaller items like utensils that may accidentally be left on the cooktop, and ensures that each cooking element will only heat up if a pot is detected on the cooking surface.



### Clean Lock

Clean Lock prevents unwanted changes to settings while you clean spills.



### CountDown Timer

The days of working over a hot stove are long gone, thanks to this ingenious function that allows you to pre-set a cooking time for each individual heating element. Now you can multi-task in the kitchen, and the cooktop will automatically shut off the individual cooking elements when their programmed time has expired.



### Heat indicator

A light on the cooktop warns if surface is hot due to any residual heat from cooking vessel.





## Performance

### 30" five-burner gas cooktop

The industry-leading 30" five-burner provides high performance and versatility in a 30" space.



#### SpeedBoost™

For time savings as well as energy savings, Bosch induction cooktops equipped with SpeedBoost™ function can heat water twice as fast as a conventional ceramic cooktop.



#### Class-leading 11" element

Conducting up to 4,400 watts of power, the 11" element on the 36" induction cooktops is the most powerful in its price class.



#### Automatic reignition

The automatic reignition will spontaneously generate a spark and reignite the burner if the flame should go out from a draft.



#### Bridge Element

Connects two burners, creating an elongated cooking surface for larger, oval-shaped pans.

### Keep Warm function

When this function is selected, it enables you to reduce the cooking power to as little as 3% of normal—much greater temperature control than conventional cooktops offer you. This brings the heat to a perfect level to keep meals warm, or to simmer soups.



#### PowerSim® burner

This feature, available on our largest burner, uses a diffuser cap to output a large flame of up to 17,000 BTU for quick heating, and can gently simmer like a small burner.



#### OptiSim® burner

This Bosch burner heats at a low 400 BTU to delicately simmer even the most sensitive sauces or melt chocolate by evenly spreading the flame across the bottom of the pot to help prevent scorching.



#### Dual Element Burners

Burners provide solutions to multiple cookware sizes. They are designed to use the cooking space more efficiently than single elements.



### Continuous grates

These are the same types of grates found in professional kitchens, letting you slide and move pots off of an active burner or rearrange them without fear of tipping or spilling. They also give the cooktop a high-grade, quality appearance that really makes an impression.

### PowerStart™

This feature temporarily increases and holds the temperature at the most powerful setting. Then it gradually declines to your preset level. This reduces cooking time and offers the convenience of one-button operation.

### Triple-element burners



The burners are available in 6"/8"/12" configurations, and are designed to efficiently accommodate a wide variety of cookware without wasting energy unnecessarily.

## Efficiency

### PotSense™

Bosch induction cooktops can detect if a pot is placed on a cooking element and automatically adjust the cooking field to the size of the pot bottom. This means no unneeded heat will escape to the sides of the pot, making your kitchen cooler, more energy-efficient, and safer.







# Induction Cooktop Specifications



36"



30"



36"

	800 Series	800 Series	500 Series
<b>Model Numbers</b>	– NIT8665UC Black w/Stainless Steel Trim	– NIT8065UC Black w/Stainless Steel Trim	– NIT5665UC Black w/Stainless Steel Trim
<b>Features</b>	<p><b>Appearance</b></p> <ul style="list-style-type: none"> <li>– SteelTouch™ with PreciseSelect™ –A Bosch Exclusive</li> <li>– High-end Front and Back Stainless Steel Strip for a Premium Look</li> </ul> <p><b>Convenience</b></p> <ul style="list-style-type: none"> <li>– AutoChef™ Sensor –A Bosch Exclusive Maintains Exact Frying Temperature for Perfect Results and Convenience</li> <li>– Bosch Recommended Pan Included –Excellent Heating Performance and Superior Cleanability, Dishwasher Safe, Works with Electric and Induction Cooktops, Also available as accessory: HEZ390230</li> <li>– PreciseSelect™ –Direct Cooking Level Selection (17 Settings)</li> <li>– CountDown Timer –Built-in Timers for Each Element, Doubles as General-Purpose Kitchen Timer</li> <li>– Clean Lock –Prevents Unwanted Changing of Settings while Cleaning Spill-overs</li> </ul> <p><b>Performance</b></p> <ul style="list-style-type: none"> <li>– Dual 11" Heating Elements with Powerful 4,400 Watts –Most Powerful Induction Element in its Class.</li> <li>– SpeedBoost™ –This Fast-heat Mode Boils Water Twice as Fast as Conventional Electric Cooktops</li> </ul> <p><b>Safety</b></p> <ul style="list-style-type: none"> <li>– Overflow Detection –Sounds Alarm and Shuts off Cooktop in Case of an Overflow</li> <li>– ChildLock –Prevents the Cooktop from Being Accidentally Switched On, Locks Temperature Settings if in Use</li> <li>– SafeStart –Ensures that Element Only is Activated; Others Remain Off</li> <li>– Anti-Overheat System – Shuts Off Cooktop</li> <li>– 2-Level Heat Indicator –Warns if Cooktop is Warm or Hot</li> </ul> <p><b>Efficiency</b></p> <ul style="list-style-type: none"> <li>– PotSense™ –Automatically Adjusts Cooking Element to the Size of the Pan Bottom</li> </ul>	<p><b>Appearance</b></p> <ul style="list-style-type: none"> <li>– SteelTouch™ with PreciseSelect™ –A Bosch Exclusive</li> <li>– High-end Front and Back Stainless Steel Strip for a Premium Look</li> </ul> <p><b>Convenience</b></p> <ul style="list-style-type: none"> <li>– AutoChef™ Sensor –A Bosch Exclusive Maintains Exact Frying Temperature for Perfect Results and Convenience</li> <li>– Bosch Recommended Pan Included – Excellent Heating Performance and Superior Cleanability, Dishwasher Safe, Works with Electric and Induction Cooktops, Also available as accessory: HEZ390230</li> <li>– PreciseSelect™ –Direct Cooking Level Selection (17 Settings)</li> <li>– CountDown Timer –Built-in Timers for Each Element, Doubles as General-Purpose Kitchen Timer</li> <li>– Clean Lock –Prevents Unwanted Changing of Settings while Cleaning Spill-overs</li> </ul> <p><b>Performance</b></p> <ul style="list-style-type: none"> <li>– 11" Heating Element with Powerful 3,600 Watts</li> <li>– SpeedBoost™ –This Fast-heat Mode Boils Water Twice as Fast as Conventional Electric Cooktops</li> </ul> <p><b>Safety</b></p> <ul style="list-style-type: none"> <li>– Overflow Detection –Sounds Alarm and Shuts off Cooktop in Case of an Overflow</li> <li>– ChildLock – Prevents the Cooktop from Being Accidentally Switched On, Locks Temperature Settings if in Use</li> <li>– SafeStart –Ensures that Element Only is Activated; Others Remain Off</li> <li>– Anti-Overheat System –Shuts Off Cooktop</li> <li>– 2-Level Heat Indicator –Warns if Cooktop is Warm or Hot</li> </ul> <p><b>Efficiency</b></p> <ul style="list-style-type: none"> <li>– PotSense™ –Automatically Adjusts Cooking Element to the Size of the Pan Bottom</li> </ul>	<p><b>Appearance</b></p> <ul style="list-style-type: none"> <li>– Sleek Touch Control Panel Offers a Choice of 17 Settings for Unprecedented Temperature Control with PreciseSelect™</li> <li>– Front and Back Stainless Steel Strip for a Premium Look</li> </ul> <p><b>Convenience</b></p> <ul style="list-style-type: none"> <li>– Countdown Timer –Built-in Timers for Each Element, Doubles as General-Purpose Kitchen Timer</li> <li>– Clean Lock –Prevents Unwanted Changing of Settings while Cleaning Spill-overs</li> </ul> <p><b>Performance</b></p> <ul style="list-style-type: none"> <li>– Dual 11" Heating Elements with Powerful 4,400 Watts –Most Powerful Induction Element in its Class</li> <li>– SpeedBoost™ –This Fast-heat Mode Boils Water Twice as Fast as Conventional Electric Cooktops</li> </ul> <p><b>Safety</b></p> <ul style="list-style-type: none"> <li>– Overflow Detection –Sounds Alarm and Shuts off Cooktop in Case of an Overflow</li> <li>– ChildLock –Prevents the Cooktop from Being Accidentally Switched On, Locks Temperature Settings if in Use</li> <li>– SafeStart –Ensures that Element Only is Activated; Others Remain Off</li> <li>– Anti-Overheat System –Shuts Off Cooktop</li> <li>– 2-Level Heat Indicator –Warns if Cooktop is Warm or Hot</li> </ul> <p><b>Efficiency</b></p> <ul style="list-style-type: none"> <li>– PotSense™ –Automatically Adjusts Cooking Element to the Size of the Pan Bottom</li> </ul>
<b>Accessories</b>	<ul style="list-style-type: none"> <li>– HEZ390230* 10" AutoChef™ Pan</li> <li>– HEZ390220 9" AutoChef™ Pan</li> </ul>	<ul style="list-style-type: none"> <li>– HEZ390230* 10" AutoChef™ Pan</li> <li>– HEZ390210 8" AutoChef™ Pan</li> </ul>	

\*Free with mail-in redemption card.





30"

**500 Series**

– NIT5065UC Black w/Stainless Steel Trim

**Appearance**

- Sleek Touch Control Panel Offers a Choice of 17 Settings for Unprecedented Temperature Control with PreciseSelect™
- Front and Back Stainless Steel Strip for a Premium Look

**Convenience**

- Countdown Timer –Built-in Timers for Each Element. Doubles as General-Purpose Kitchen Timer
- Clean Lock –Prevents Unwanted Changing of Settings while Cleaning Spill-overs

**Performance**

- 11" Heating Element with Powerful 3,600 Watts
- SpeedBoost™ –This Fast-heat Mode Boils Water Twice as Fast as Conventional Electric Cooktops

**Safety**

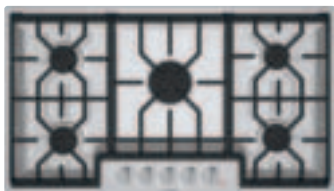
- Overflow Detection –Sounds Alarm and Shuts off Cooktop in Case of an Overflow
- ChildLock –Prevents the Cooktop from Being Accidentally Switched On, Locks Temperature Settings if in Use
- SafeStart –Ensures that Element Only is Activated; Others Remain Off
- Anti-Overheat System –Shuts Off Cooktop
- 2-Level Heat Indicator –Warns if Cooktop is Warm or Hot

**Efficiency**

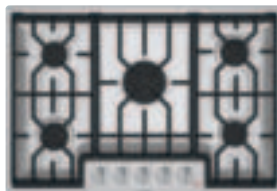
- PotSense™ –Automatically Adjusts Cooking Element to the Size of the Pan Bottom



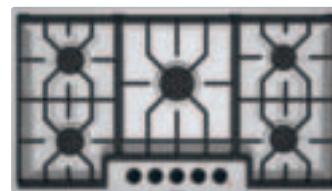
# Gas Cooktop Specifications



36"

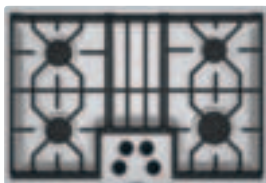


30"

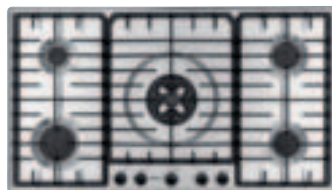


36"

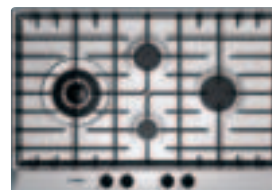
	800 Series	800 Series	500 Series
<b>Model Numbers</b>	– NGM8654UC Stainless Steel	– NGM8054UC Stainless Steel	– NGM5654UC Stainless Steel – NGM5664UC Black – NGM5624UC White
<b>Features</b>	<p><b>Appearance</b></p> <ul style="list-style-type: none"> <li>– Centralized Controls for Easy Use and More Intuitive Operation of Cooktop</li> <li>– Cooktop Design Coordinates with Bosch Wall Ovens</li> <li>– Low-Profile Design for a More Integrated Appearance</li> <li>– Heavy-Duty Metal Plated Knobs for a Quality Look and Feel</li> </ul> <p><b>Convenience</b></p> <ul style="list-style-type: none"> <li>– Continuous Grates –Effortlessly Move Pots and Pans. Easy to Clean</li> <li>– Sealed Burners Prevent Spills From Entering the Burner Box</li> </ul> <p><b>Performance</b></p> <ul style="list-style-type: none"> <li>– Powerful 17,000 BTU Central Burner</li> <li>– PowerSim™ –Quick Heating with Large Flame or Gentle Simmering with a Diffuser Cap</li> <li>– OptiSim® –Simmer Delicate Sauces without Scorching (400 BTU)</li> </ul> <p><b>Safety</b></p> <ul style="list-style-type: none"> <li>– Push-to-Turn Knobs –Limits Unauthorized Cooktop Operation by Children</li> <li>– Automatic Electronic Re-Ignition –in Case Flame Goes Out, the Burner is Automatically Re-Ignited</li> </ul>	<p><b>Appearance</b></p> <ul style="list-style-type: none"> <li>– Centralized Controls for Easy Use and More Intuitive Operation of Cooktop</li> <li>– Cooktop Design Coordinates with Bosch Wall Ovens</li> <li>– Low-Profile Design for a More Integrated Appearance</li> <li>– Heavy-Duty Metal Plated Knobs for a Quality Look and Feel</li> </ul> <p><b>Convenience</b></p> <ul style="list-style-type: none"> <li>– Continuous Grates –Effortlessly Move Pots and Pans. Easy to Clean</li> <li>– Sealed Burners Prevent Spills From Entering the Burner Box</li> </ul> <p><b>Performance</b></p> <ul style="list-style-type: none"> <li>– 5 Burner 30" Cooktop –Rare Feature. Same Versatility of 36" Cooktop in Compact 30" Format. For Kitchens Where Space is Limited</li> <li>– PowerSim™ –Quick Heating with Large Flame or Gentle Simmering with a Diffuser Cap</li> <li>– OptiSim® –Simmer Delicate Sauces without Scorching (400 BTU)</li> <li>– Powerful 16,000 BTU Central Burner</li> </ul> <p><b>Safety</b></p> <ul style="list-style-type: none"> <li>– Push-to-Turn Knobs –Limits Unauthorized Cooktop Operation by Children</li> <li>– Automatic Electronic Re-Ignition –in Case Flame Goes Out, the Burner is Automatically Re-Ignited</li> </ul>	<p><b>Appearance</b></p> <ul style="list-style-type: none"> <li>– Centralized Controls for Easy Use and More Intuitive Operation of Cooktop</li> <li>– Cooktop Design Coordinates with Bosch Wall Ovens</li> <li>– Low-Profile Design for a More Integrated Appearance</li> <li>– High Quality Color Matched Knobs with Stainless Steel Bezel</li> </ul> <p><b>Convenience</b></p> <ul style="list-style-type: none"> <li>– Continuous Grates –Effortlessly Move Pots and Pans, Easy to Clean</li> <li>– Sealed Burners Prevent Spills From Entering the Burner Box</li> </ul> <p><b>Performance</b></p> <ul style="list-style-type: none"> <li>– OptiSim® –Simmer Delicate Sauces without Scorching (400 BTU)</li> <li>– Powerful 16,000 BTU Central Burner</li> </ul> <p><b>Safety</b></p> <ul style="list-style-type: none"> <li>– Push-to-Turn Knobs – Limits Unauthorized Cooktop Operation by Children</li> <li>– Automatic Electronic Re-Ignition –in Case Flame Goes Out, the Burner is Automatically Re-Ignited</li> </ul>
<b>Accessories</b>	– NEZ1054 LP Conversion Kit	– NEZ1054 LP Conversion Kit	– NEZ1054 LP Conversion Kit



30"

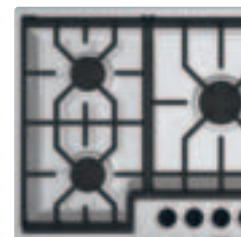


36"



30"

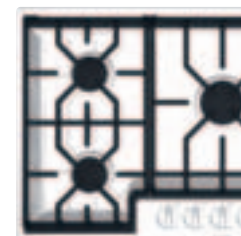
### Colors











**Stainless Steel**  
(NGM5654UC  
Model Shown)



**Black**  
(NGM5664UC  
Model Shown)



**White**  
(NGM5624UC  
Model Shown)

500 Series	300 Series	300 Series
<ul style="list-style-type: none"> <li>– NGM5054UC Stainless Steel</li> <li>– NGM5064UC Black</li> <li>– NGM5024UC White</li> </ul>	<ul style="list-style-type: none"> <li>– PGL985UC Stainless Steel</li> </ul>	<ul style="list-style-type: none"> <li>– PCK755UC Stainless Steel</li> </ul>
   	 	 
<p><b>Appearance</b></p> <ul style="list-style-type: none"> <li>– Centralized Controls for Easy Use and More Intuitive Operation of Cooktop</li> <li>– Cooktop Design Coordinates with Bosch Wall Ovens</li> <li>– Low-Profile Design for a More Integrated Appearance</li> <li>– High Quality Color Matched Knobs with Stainless Steel Bezel</li> </ul> <p><b>Convenience</b></p> <ul style="list-style-type: none"> <li>– Continuous Grates –Effortlessly Move Pots and Pans. Easy to Clean</li> <li>– Sealed Burners Prevent Spills From Entering the Burner Box</li> </ul> <p><b>Performance</b></p> <ul style="list-style-type: none"> <li>– OptiSim™ –Simmer Delicate Sauces without Scorching (400 BTU)</li> <li>– Powerful 16,000 BTU Burner</li> </ul> <p><b>Safety</b></p> <ul style="list-style-type: none"> <li>– Push-to-Turn Knobs – Limits Unauthorized Cooktop Operation by Children</li> <li>– Automatic Electronic Re-Ignition –in Case Flame Goes Out, the Burner is Automatically Re-Ignited</li> </ul>	<p><b>Appearance</b></p> <ul style="list-style-type: none"> <li>– Centralized Controls for Easy Use and More Intuitive Operation of Cooktop</li> </ul> <p><b>Convenience</b></p> <ul style="list-style-type: none"> <li>– Continuous Grates –Effortlessly Move Pots and Pans. Easy to Clean</li> <li>– Sealed Burners Prevent Spills From Entering the Burner Box</li> </ul> <p><b>Performance</b></p> <ul style="list-style-type: none"> <li>– TripleFlame™ Burner –Three Adjustable Flame Rings: Inner Flame Ring for Simmering Only, Additional Two Outer Rings for Medium to Maximum Heat Output</li> <li>– Powerful 15,000 BTU High Performance Wok-Style Burner</li> </ul> <p><b>Safety</b></p> <ul style="list-style-type: none"> <li>– SmartFlame™ Flame Safety –in Case Flame Goes out</li> <li>– Push-to-Turn Knobs –Limits Unauthorized Cooktop Operation by Children</li> </ul>	<p><b>Appearance</b></p> <ul style="list-style-type: none"> <li>– Centralized Controls for Easy Use and More Intuitive Operation of Cooktop</li> </ul> <p><b>Convenience</b></p> <ul style="list-style-type: none"> <li>– Continuous Grates –Effortlessly Move Pots and Pans. Easy to Clean</li> <li>– Sealed Burners Prevent Spills From Entering the Burner Box</li> </ul> <p><b>Performance</b></p> <ul style="list-style-type: none"> <li>– High Performance Wok-Style Burner</li> <li>– Powerful 12,500 BTU Burner</li> </ul> <p><b>Safety</b></p> <ul style="list-style-type: none"> <li>– SmartFlame™ Flame Safety –in Case Flame Goes out</li> <li>– Push-to-Turn Knobs –Limits Unauthorized Cooktop Operation by Children</li> </ul>
<p>– NEZ1054 LP Conversion Kit</p>		



# Electric Cooktop Specifications



36"



30"



36"

	800 Series	800 Series	500 Series
<b>Model Numbers</b>	– NET8654UC Black w/Stainless Steel Trim	– NET8054UC Black w/Stainless Steel Trim	– NET5654UC Black w/Stainless Steel Trim
<b>Features</b>	<p><b>Appearance</b></p> <ul style="list-style-type: none"> <li>– SteelTouch™ with PreciseSelect™</li> <li>– A Bosch Exclusive</li> <li>– High-end Front and Back Stainless Steel Strip for a Premium Look</li> </ul> <p><b>Convenience</b></p> <ul style="list-style-type: none"> <li>– AutoChef™ Sensor –A Bosch Exclusive. Maintains Exact Frying Temperature for Perfect Results and Convenience</li> <li>– Bosch Recommended Pan Included</li> <li>–Excellent Heating Performance and Superior Cleanability, Dishwasher safe, Works with Electric and Induction Cooktops, Also available as Accessory: HEZ390230</li> <li>– Countdown Timer –Built-in Timers for Each Element. Doubles as General-Purpose Kitchen Timer</li> <li>– Clean Lock –Prevents Unwanted Changing of Settings while Cleaning Spill-Overs</li> <li>– Keep Warm Function Allows Meals to Remain Ready to Serve</li> </ul> <p><b>Performance</b></p> <ul style="list-style-type: none"> <li>– 3-Zone 12" Heating Element with Powerful 3,080 Watt Element. 3 Heating Zone Sizes in One. Accommodates a Variety of Pan Sizes</li> <li>– Bridge Element Accommodates Oblong Pans and Multiple Diameter Sizes</li> <li>– Dual element Offers the Capability to Use Multiple Pan Sizes</li> <li>– PowerStart™ –Initial Maximum Power Output Quickly Heats Burner, then Automatically Decreases to Pre-selected Temperature</li> </ul> <p><b>Safety</b></p> <ul style="list-style-type: none"> <li>– 2-Level Heat Indicator –Warns if Cooktop is Warm or Hot</li> <li>– ChildLock –Prevents the Cooktop from Being Accidentally Switched on, Locks Temperature Settings if in Use</li> </ul>	<p><b>Appearance</b></p> <ul style="list-style-type: none"> <li>– SteelTouch™ with PreciseSelect™</li> <li>– A Bosch Exclusive</li> <li>– High-end Front and Back Stainless Steel Strip for a Premium Look</li> </ul> <p><b>Convenience</b></p> <ul style="list-style-type: none"> <li>– AutoChef™ Sensor –A Bosch Exclusive. Maintains Exact Frying Temperature for Perfect Results and Convenience</li> <li>– Bosch Recommended Pan Included</li> <li>–Excellent Heating Performance and Superior Cleanability, Dishwasher safe, Works with Electric and Induction Cooktops, Also available as accessory: HEZ390230</li> <li>– Countdown Timer –Built-in Timers for Each Element. Doubles as General-Purpose Kitchen Timer</li> <li>– Clean Lock –Prevents Unwanted Changing of Settings while Cleaning Spill-Overs</li> <li>– Keep Warm Function Allows Meals to Remain Ready to Serve</li> </ul> <p><b>Performance</b></p> <ul style="list-style-type: none"> <li>– 3-Zone 12" Heating Element with Powerful 2,700 Watt Element. 3 Heating Zone Sizes in One. Accommodates a Variety of Pan Sizes</li> <li>– Dual element offers the capability to use multiple pan sizes</li> <li>– PowerStart™ –Initial Maximum Power Output Quickly Heats Burner, then Automatically Decreases to Pre-selected Temperature</li> </ul> <p><b>Safety</b></p> <ul style="list-style-type: none"> <li>– 2-Level Heat Indicator –Warns if Cooktop is Warm or Hot</li> <li>– ChildLock –Prevents the Cooktop from Being Accidentally Switched on, Locks Temperature Settings if in Use</li> </ul>	<p><b>Appearance</b></p> <ul style="list-style-type: none"> <li>– Sleek Touch Control Panel Offers a Choice of 17 Settings for Unprecedented Temperature Control with PreciseSelect™</li> <li>– High-end Front and Back Stainless Steel Strip for a Premium Look</li> </ul> <p><b>Convenience</b></p> <ul style="list-style-type: none"> <li>– Clean Lock –Prevents Unwanted Changing of Settings while Cleaning Spill-Overs</li> <li>– Keep Warm Function Allows Meals to Remain Ready to Serve</li> </ul> <p><b>Performance</b></p> <ul style="list-style-type: none"> <li>– Bridge Element Accommodates Oblong Pans and Multiple Diameter Sizes</li> <li>– Dual element Offers the Capability to Use Multiple Pan Sizes</li> </ul> <p><b>Safety</b></p> <ul style="list-style-type: none"> <li>– 2-Level Heat Indicator –Warns if Cooktop is Warm or Hot</li> <li>– ChildLock –Prevents the Cooktop from Being Accidentally Switched on, Locks Temperature Settings if in Use</li> </ul>
<b>Accessories</b>	– HEZ390230* 10" AutoChef™ Pan	– HEZ390230* 10" AutoChef™ Pan	

\*Free with mail-in redemption card.



30"



36"



30"

500 Series	300 Series	300 Series
<p>– NET5054UC Black w/Stainless Steel Trim</p>	<p>– NEM3664UC Black</p>	<p>– NEM3064UC Black</p>
<p><b>Appearance</b></p> <ul style="list-style-type: none"> <li>– Sleek Touch Control Panel Offers a Choice of 17 Settings for Unprecedented Temperature Control with PreciseSelect™</li> <li>– High-end Front and Back Stainless Steel Strip for a Premium Look</li> </ul> <p><b>Convenience</b></p> <ul style="list-style-type: none"> <li>– Clean Lock –Prevents Unwanted Changing of Settings while Cleaning Spill-Overs</li> <li>– Keep Warm Function Allows Meals to Remain Ready to Serve</li> </ul> <p><b>Performance</b></p> <ul style="list-style-type: none"> <li>– Bridge Element Accomodates Oblong Pans and Multiple Diameter Sizes</li> <li>– Dual element Offers the Capability to Use Multiple Pan Sizes</li> <li>– PowerStart™ –Initial Maximum Power Output Quickly Heats Burner, then Automatically Decreases to Pre-selected Temperature</li> </ul> <p><b>Safety</b></p> <ul style="list-style-type: none"> <li>– 2-Level Heat Indicator –Warns if Cooktop is Warm or Hot</li> <li>– ChildLock –Prevents the Cooktop from Being Accidentally Switched on, Locks Temperature Settings if in Use</li> </ul>	<p><b>Appearance</b></p> <ul style="list-style-type: none"> <li>– High Quality Black Knobs with a Stainless Steel Bezel</li> </ul> <p><b>Performance</b></p> <ul style="list-style-type: none"> <li>– Dual element Offers the Capability to Use Multiple Pan Sizes</li> <li>– Infinite Temperature Controls for Precision Cooking</li> </ul> <p><b>Safety</b></p> <ul style="list-style-type: none"> <li>– Heat Indicator –Warns if Cooktop is Warm or Hot</li> </ul>	<p><b>Appearance</b></p> <ul style="list-style-type: none"> <li>– High Quality Black Knobs with a Stainless Steel Bezel</li> </ul> <p><b>Performance</b></p> <ul style="list-style-type: none"> <li>– Dual element Offers the Capability to Use Multiple Pan Sizes</li> <li>– Infinite Temperature Controls for Precision Cooking</li> </ul> <p><b>Safety</b></p> <ul style="list-style-type: none"> <li>– Heat Indicator –Warns if Cooktop is Warm or Hot</li> </ul>



# Ranges

Integra® | Evolution®





### Dual-fuel Ranges

Dual-fuel ranges from Bosch offer performance and convenience. Their gas-on-glass design features burners mounted on a ceramic-glass cooktop, making cleanup easy. A 16,000 BTU PowerSim® burner delivers a faster time-to-boil and precise control. And the Genuine European Convection with ACS oven cooks up to 25% faster and features the largest oven capacity available.

### Gas Ranges

Unleash your cooking instincts with a Bosch gas range. Pro-style cooking grates let you slide your pots easily. Powerful PowerSim burners deliver up to 16,000 BTU for fast time-to-boil and excellent searing, while optimized burner spacing keeps every pot optimally positioned for maximum convenience. Prepare yourself for an amazing culinary experience.

### Electric Ranges

Bosch electric ranges deliver power and functionality that help them perform as good as they look. They feature a glass-ceramic cooktop with UltraSpeed ribbon elements that heat up as fast as gas. Add the performance of Genuine European Convection and a concealed bake element, and it's clear that every meal you prepare with a Bosch electric range is certain to be a hit.

Model shown above: Integra® HDI7282U

Model shown below: Evolution® HGS5053UC

Model shown left: Integra® HEI7282U



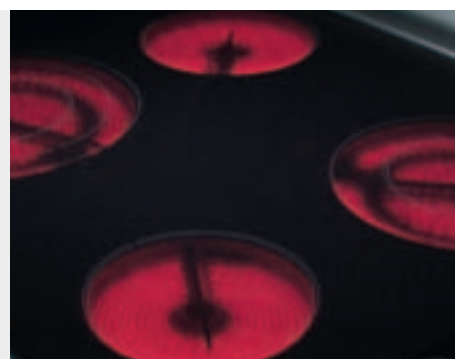


## The only thing that's not optional is the unbelievable convenience.

While our legendary quality makes a Bosch range the easy choice, deciding which type you want may not be so simple. There's the powerful control of gas. The efficient ease of electric. And the best of both world-class performers: Our dual-fuel model. All available in sleek, cabinet-flush, slide-in units or stylishly versatile freestanding ranges.







## Quality

### ClearTouch® glass panel

This touch panel features high quality materials and elegant design, while giving complete access to all of the range's many features. Easy to use and even easier to clean, the control indicators will never fade because they are sealed under the glass surface, guaranteeing a beautiful appearance for years to come.



### Touch and Turn®

Operating your oven with our exclusive Touch and Turn® control system is a breeze. Performance is now at your fingertips. You can access an array of cooking modes in fewer steps, and even self-clean your oven with a single intuitive control knob. No more guesswork. Just great results every time.

### Endless cooking possibilities

With up to nine preset cooking modes, the options are as vast as they are easy to operate. Our precisely programmed oven functions let you choose from bake, broil, convection bake, convection broil, convection roast, dehydrate or keep warm to complement your diverse cooking needs. All models even include a Sabbath mode.

### Widest oven in its class

At 25 inches, our oven is the widest in its class. Incredibly accommodating, not only can you cook with a variety of cookware sizes simultaneously, it lets you cook an entire meal—including a large bird with all the trimmings. And with our well-lit oven, checking on your meal is a pleasurable eye-opener.

### Award-winning

Bosch's freestanding dual-fuel range is ranked #1 by a leading consumer magazine for the fifth year.

### Cooktop elements

The electric cooktop features our state-of-the-art UltraSpeed™ ribbon elements. Instantly responding to the controls, these elements boast a three- to five-second "heat-up" time. There are multiple-sized elements, including a triple, all of which are adjustable to accommodate a variety of cookware styles.

### Gas-on-Glass

This ingenious design mounts gas burners on color-matched ceramic glass, creating a sleek, handsome cooktop that's patterned to conceal smudges while being significantly easier to clean.



## Performance



### PowerSim® Burner

The PowerSim® burner is the ultimate in power and finesse. It can generate a blazing 16,000 BTU for fast boiling or quick searing. At the other extreme, the built-in diffuser distributes heat evenly to let you simmer delicate sauces or melt chocolate without scorching.

### Concealed Bake Element

The oven cavity floor hides an 8-pass bake element, offering maximized heat distribution for more even cooking. Since the element is not exposed, you get more usable space for that extra sheet of chocolate chip cookies. Flexibility doesn't stop here since the hidden bake element also makes for the easiest way to clean the inside of your oven.



### Triple Element Burners

The burners are available in 5"/7"/9" and 6"/9"/12" configurations, and are designed to efficiently accommodate a wide variety of cookware without wasting energy unnecessarily.



### Meat Probe

Our built-in automatic meat temperature probe will allow you to cook more accurately and enjoy perfect meals all the time. When foods reach the preset internal temperature, the oven beeps and turns itself off—giving you optimal temperature control. And by not overcooking, your food also maintains its nutritional value. Food tastes better, and you eat healthier.



### OptiSim®

This OptiSim® burner cooks at a low 450 BTU to delicately simmer even the most sensitive sauces or melt chocolate by evenly spreading the flame across the bottom of the pot to help prevent scorching.

### Warming Zone

100 W warming zone—perfect for keeping food ready to serve or prewarming dishes.



### Genuine European Convection w/ACS

This feature offers a powerful 1,100-watt third heating element that surrounds the convection fan, circulating preheated air throughout the oven. By optimizing heat circulation within the oven cavity, our Advanced Circulation System (ACS) allows food to be cooked more evenly in up to 30% less time.



### Convection Oven

360° cooking saves time and energy. A fan provides even heat distribution throughout the cavity for superior cooking results.

### Full-meal cooking

Thanks to our large capacity and Genuine European Convection, you can cook a feast in your oven. Furthermore, the convection technology prevents fusion of flavors. So your cherry pie won't taste like garlic potatoes, and your pork roast will taste like...pork roast. You're only limited by your imagination.



## Convenience



### Telescopic Rack

With our convenient, full-extension telescopic rack, you can easily view, check and baste your dishes without having to reach into the oven. Our rack glides smoothly and easily, extending fully over the open oven door—even when holding up to 35 pounds. Plus it fits any of our six rack positions and is removable for easy cleanup.



### Bridge Element

Connects two burners, creating an elongated cooking surface for larger, oval-shaped pans.

### Optimized burner spacing

We've revolutionized cooktop design with our unique burner spacing, which offers enhanced versatility. In addition to the PowerSim® burner, our cooktop has a true-simmer rear burner that is offset to the right—ultimately providing more space for larger pots, while leaving plenty of room for your creativity and cooking prowess.



### Oval Burner

Oval-shaped burner in the center of the cooktop heats food evenly across a large area. Perfect for your griddle or other oversized cookware.



### Large Warming Drawer

With three electronically controlled temperature settings ranging from 140° to 220°F, our stainless steel warming drawer gives you a choice of options for ideal warming temperatures. While it smoothly glides on steel ball bearings, the drawer fully extends for easy access to its 1.3 cubic feet of usable space.

# Integra® Range Specifications



Dual-Fuel



Dual-Fuel



Electric

	700 Series	700 Series	700 Series
<b>Model Numbers</b>	– HDI7282U Stainless Steel Pro	– HDI7052U Stainless Steel	– HEI7282U Stainless Steel Pro
<b>Features</b>	<p><b>Appearance</b></p> <ul style="list-style-type: none"> <li>– ClearTouch® Electronic Oven Controls</li> <li>– True Hidden Bake Element</li> <li>– Stainless Steel Cooktop Control Panel</li> <li>– Metal Finish Knobs</li> </ul> <p><b>Convenience</b></p> <ul style="list-style-type: none"> <li>– Full Extension Telescopic Rack</li> <li>– Touch &amp; Turn® Electronic Oven Control with 8 Cooking Modes</li> <li>– Continuous Grates –Effortlessly Move Pots and Pans. Easy to Clean</li> <li>– Sealed Burners Prevent Spills From Entering the Burner Box</li> <li>– Integrated Warming Drawer</li> <li>– Temperature Probe with Automatic Switch-off</li> </ul> <p><b>Performance</b></p> <ul style="list-style-type: none"> <li>– Genuine European Convection with Advanced Circulation System (ACS)</li> <li>– PowerSim® –Quick Heating with Large Flame or Gentle Simmering with a Diffuser Cap</li> <li>– OptiSim® –Simmer Delicate Sauces without Scorching (400 BTU)</li> <li>– Power Burner –Quick Heating with 16,000 BTU</li> <li>– 4.6 Cu. Ft. Capacity</li> </ul> <p><b>Safety</b></p> <ul style="list-style-type: none"> <li>– Push-to-Turn Knobs –Limits Unauthorized Cooktop Operation by Children</li> </ul>	<p><b>Appearance</b></p> <ul style="list-style-type: none"> <li>– ClearTouch® Electronic Oven Controls</li> <li>– True Hidden Bake Element</li> </ul> <p><b>Convenience</b></p> <ul style="list-style-type: none"> <li>– Touch &amp; Turn® Electronic Oven Control with 8 Cooking Modes</li> <li>– Continuous Grates –Effortlessly Move Pots and Pans. Easy to Clean</li> <li>– Sealed Burners Prevent Spills From Entering the Burner Box</li> </ul> <p><b>Performance</b></p> <ul style="list-style-type: none"> <li>– Genuine European Convection with Advanced Circulation System (ACS)</li> <li>– PowerSim® –Quick Heating with Large Flame or Gentle Simmering with a Diffuser Cap</li> <li>– OptiSim® –Simmer Delicate Sauces without Scorching (400 BTU)</li> <li>– Power Burner –Quick Heating with 16,000 BTU</li> <li>– 4.6 Cu. Ft. Capacity</li> <li>– Convection Assisted Self-Cleaning Oven</li> </ul> <p><b>Safety</b></p> <ul style="list-style-type: none"> <li>– Push-to-Turn Knobs –Limits Unauthorized Cooktop Operation by Children</li> </ul>	<p><b>Appearance</b></p> <ul style="list-style-type: none"> <li>– ClearTouch® Electronic Oven Controls</li> <li>– Stainless Steel Framed Cooktop</li> <li>– True Hidden Bake Element</li> <li>– Stainless Steel Cooktop Control Panel</li> <li>– Metal Finish Knobs</li> </ul> <p><b>Convenience</b></p> <ul style="list-style-type: none"> <li>– Full Extension Telescopic Rack</li> <li>– Touch &amp; Turn® Electronic Oven Control with 8 Cooking Modes</li> <li>– Integrated Warming Drawer</li> <li>– Temperature Probe with Automatic Switch-off</li> </ul> <p><b>Performance</b></p> <ul style="list-style-type: none"> <li>– Genuine European Convection with Advanced Circulation System (ACS)</li> <li>– Convection Assisted Self-Cleaning Oven</li> <li>– 4.6 Cu. Ft. Capacity</li> </ul> <p><b>Safety</b></p> <ul style="list-style-type: none"> <li>– Push-to-Turn Knobs –Limits Unauthorized Cooktop Operation by Children</li> </ul>
<b>Accessories</b>	– HEZ1060 Backsplash (Wall Installation)	– HEZ1060 Backsplash (Wall Installation)	– HEZ1060 Backsplash (Wall Installation)





Electric

**700 Series**

– HEI7052U Stainless Steel



**Appearance**

- ClearTouch® Electronic Oven Controls
- Stainless Steel Framed Cooktop
- True Hidden Bake Element

**Convenience**

- Touch & Turn® Electronic Oven Control with 8 Cooking Modes

**Performance**

- Genuine European Convection with Advanced Circulation System (ACS)
- Convection Assisted Self Cleaning Oven
- 4.6 Cu. Ft. Capacity

**Safety**

- Push-to-Turn Knobs –Limits Unauthorized Cooktop Operation by Children



– HEZ1060 Backsplash (Wall Installation)



# Evolution® Range Specifications
















Gas



Gas



Gas

	700 Series	700 Series	500 Series
<b>Model Numbers</b>	– HGS7282UC Stainless Steel Pro	– HGS7052UC Stainless Steel	– HGS5053UC Stainless Steel
	     	   	  
<b>Features</b>	<p><b>Appearance</b></p> <ul style="list-style-type: none"> <li>– ClearTouch® Electronic Oven Controls</li> <li>– True Hidden Bake Element</li> <li>– Stainless Steel Cooktop Control Panel</li> <li>– Stainless Steel Cooktop</li> <li>– Low Profile Grates</li> <li>– Metal Finish Knobs</li> </ul> <p><b>Convenience</b></p> <ul style="list-style-type: none"> <li>– Full Extension Telescopic Rack</li> <li>– Touch &amp; Turn® Electronic Oven Control with 8 Cooking Modes</li> <li>– Continuous Grates –Effortlessly Move Pots and Pans. Easy to Clean</li> <li>– Sealed Burners Prevent Spills From Entering the Burner Box</li> <li>– Integrated Warming Drawer</li> <li>– Temperature Probe with Automatic Switch-off</li> </ul> <p><b>Performance</b></p> <ul style="list-style-type: none"> <li>– Genuine European Convection with Advanced Circulation System (ACS)</li> <li>– PowerSim® –Quick Heating with Large Flame or Gentle Simmering with a Diffuser Cap</li> <li>– OptiSim® –Simmer Delicate Sauces without Scorching (400 BTU)</li> <li>– Power Burner –Quick Heating with Powerful 16,000 BTU</li> <li>– Convection Assisted Self-Cleaning Oven</li> </ul> <p><b>Safety</b></p> <ul style="list-style-type: none"> <li>– Push-to-Turn Knobs –Limits Unauthorized Cooktop Operation by Children</li> </ul>	<p><b>Appearance</b></p> <ul style="list-style-type: none"> <li>– ClearTouch® Electronic Oven Controls</li> <li>– True Hidden Bake Element</li> <li>– Stainless Steel Cooktop</li> <li>– Low Profile Grates</li> </ul> <p><b>Convenience</b></p> <ul style="list-style-type: none"> <li>– Touch &amp; Turn® Electronic Oven Control with 8 Cooking Modes</li> <li>– Continuous Grates –Effortlessly Move Pots and Pans. Easy to Clean</li> <li>– Sealed Burners Prevent Spills From Entering the Burner Box</li> <li>– Integrated Warming Drawer</li> </ul> <p><b>Performance</b></p> <ul style="list-style-type: none"> <li>– Genuine European Convection with Advanced Circulation System (ACS)</li> <li>– PowerSim® –Quick Heating with Large Flame or Gentle Simmering with a Diffuser Cap</li> <li>– Power Burner –Quick Heating with Powerful 16,000 BTU</li> </ul> <p><b>Safety</b></p> <ul style="list-style-type: none"> <li>– Push-to-Turn Knobs –Limits Unauthorized Cooktop Operation by Children</li> </ul>	<p><b>Appearance</b></p> <ul style="list-style-type: none"> <li>– Design Fits to Bosch Family Look</li> <li>– Recommended Companion to Other Bosch 500 Series Products</li> </ul> <p><b>Convenience</b></p> <ul style="list-style-type: none"> <li>– Two Racks and Six Different Rack Positions Adjust for All Cooking Needs</li> <li>– Continuous Grates –Effortlessly Move Pots and Pans. Easy to Clean</li> <li>– Sealed Burners –Provide Excellent Cleanability in Case of Spill Overs</li> <li>– Self Clean Cycle Saves Time. Quickly and Easily Cleans your Oven</li> <li>– Wide View Oven Window –Extra Large Window Provides Easy Viewing of Your Food</li> </ul> <p><b>Performance</b></p> <ul style="list-style-type: none"> <li>– Convection Saves Time and Energy A Fan Provides Even Heat Distribution Throughout the Cavity for Superior Cooking Results</li> <li>– Oval Shaped Bridge Burner –Evenly Heat Your Griddle or Other Speciality Shaped Cookware</li> <li>– Power Burner –Quick Heating with Powerful 16,000 BTU</li> <li>– 500 BTU Simmer Burner –Easily Heat Delicate Sauces without Scorching or Burning</li> <li>– Five Burner Gas Ranges –Offers the Maximum Burner Performance and Ultimate Cooking Flexibility</li> <li>– Large Cavity with 5.0 Cu. Ft. Easily Accommodates Large Dishes and Offers Multiple Rack Cooking</li> <li>– Hidden Bake Element for Improved Cleanability</li> </ul> <p><b>Safety</b></p> <ul style="list-style-type: none"> <li>– Push-to-Turn Knobs –Limits Unauthorized Cooktop Operation by Children</li> </ul>



Gas



Dual-Fuel



Dual-Fuel

**300 Series**

- HGS3053UC Stainless Steel
- HGS3063UC Black
- HGS3023UC White



**Appearance**

- Design Fits to Bosch Family Look
- Recommended Companion to Ascenta Dishwasher, or other Bosch 300 Series Products

**Convenience**

- Two Racks and Six Different Rack Positions Adjust for All Cooking Needs
- Continuous Grates –Effortlessly Move Pots and Pans. Easy to Clean
- Sealed Burners –Provide Excellent Cleanability in Case of Spill Overs
- Self Clean Cycle Saves Time. Quickly and Easily Cleans your Oven
- Wide View Oven Window –Extra Large Window Provides Easy Viewing of Your Food

**Performance**

- Power Burner –Quick Heating with Powerful 14,000 BTU
- 500 BTU Simmer Burner –Easily Heat Delicate Sauces without Scorching or Burning
- Five Burner Gas Ranges –Offers the Maximum Burner Performance and Ultimate Cooking Flexibility
- Large Cavity with 5.0 Cu. Ft. Easily Accommodates Large Dishes and Offers Multiple Rack Cooking
- Hidden Bake Element for Improved Cleanability

**Safety**

- Push-to-Turn Knobs –Limits Unauthorized Cooktop Operation by Children

**700 Series**

- HDS7282U Stainless Steel Pro



**Appearance**

- ClearTouch® Electronic Oven Controls
- True Hidden Bake Element
- Stainless Steel Cooktop Control Panel
- Stainless Steel Cooktop
- Low Profile Grates
- Metal Finish Knobs

**Convenience**

- Full Extension Telescopic Rack
- Touch & Turn® Electronic Oven Control with 8 Cooking Modes
- Continuous Grates –Effortlessly Move Pots and Pans. Easy to Clean
- Sealed Burners Prevent Spills From Entering the Burner Box
- Integrated Warming Drawer
- Temperature probe with automatic switch-off

**Performance**

- Genuine European Convection with Advanced Circulation System (ACS)
- PowerSim® –Quick Heating with Large Flame or Gentle Simmering with a Diffuser Cap
- OptiSim® –Simmer Delicate Sauces without Scorching (400 BTU)
- Power Burner –Quick Heating with Powerful 16,000 BTU

**Safety**

- Push-to-Turn Knobs –Limits Unauthorized Cooktop Operation by Children

**700 Series**

- HDS7052U Stainless Steel



**Appearance**

- ClearTouch® Electronic Oven Controls
- Stainless Steel Cooktop
- Low Profile Grates

**Convenience**

- Touch & Turn® Electronic Oven Control with 8 Cooking Modes
- Continuous Grates –Effortlessly Move Pots and Pans. Easy to Clean
- Sealed Burners Prevent Spills From Entering the Burner Box
- Integrated Warming Drawer

**Performance**

- Genuine European Convection with Advanced Circulation System (ACS)
- PowerSim® –Quick Heating with Large Flame or Gentle Simmering with a Diffuser Cap
- OptiSim® –Simmer Delicate Sauces without Scorching (400 BTU)
- Power Burner –Quick Heating with Powerful 16,000 BTU

**Safety**

- Push-to-Turn Knobs –Limits Unauthorized Cooktop Operation by Children



# Evolution® Range Specifications











Electric



Electric



Electric

	700 Series	700 Series	700 Series
<b>Model Numbers</b>	– HES7282U Stainless Steel Pro	– HES7252UC Stainless Steel	– HES7052U Stainless Steel
	    	   	  
<b>Features</b>	<p><b>Appearance</b></p> <ul style="list-style-type: none"> <li>– ClearTouch® Electronic Oven Controls</li> <li>– Stainless Steel Cooktop Control Panel</li> <li>– Stainless Steel Framed Cooktop</li> <li>– True Hidden Bake Element</li> <li>– Metal Finish Knobs</li> </ul> <p><b>Convenience</b></p> <ul style="list-style-type: none"> <li>– Full Extension Telescopic Rack</li> <li>– Touch &amp; Turn® Electronic Oven Control with 8 Cooking Modes</li> <li>– Integrated Warming Drawer</li> <li>– Meat Probe with Automatic Switch-off</li> </ul> <p><b>Performance</b></p> <ul style="list-style-type: none"> <li>– Genuine European Convection with Advanced Circulation System (ACS)</li> <li>– Convection Assisted Self Cleaning Oven</li> <li>– 4.6 Cu. Ft. Capacity</li> </ul> <p><b>Safety</b></p> <ul style="list-style-type: none"> <li>– Push-to-Turn Knobs –Limits Unauthorized Cooktop Operation by Children</li> </ul>	<p><b>Appearance</b></p> <ul style="list-style-type: none"> <li>– ClearTouch® Electronic Oven Controls</li> <li>– Stainless Steel Framed Cooktop</li> <li>– True Hidden Bake Element</li> </ul> <p><b>Convenience</b></p> <ul style="list-style-type: none"> <li>– Full Extension Telescopic Rack</li> <li>– Touch &amp; Turn® Electronic Oven Control with 8 Cooking Modes</li> <li>– Integrated Warming Drawer</li> <li>– Meat Probe with automatic Switch-off</li> </ul> <p><b>Performance</b></p> <ul style="list-style-type: none"> <li>– Genuine European Convection with Advanced Circulation System (ACS)</li> <li>– Convection Assisted Self Cleaning Oven</li> <li>– 4.6 Cu. Ft. Capacity</li> </ul>	<p><b>Appearance</b></p> <ul style="list-style-type: none"> <li>– ClearTouch® Electronic Oven Controls</li> <li>– Stainless Steel Framed Cooktop</li> <li>– True Hidden Bake Element</li> </ul> <p><b>Convenience</b></p> <ul style="list-style-type: none"> <li>– Touch &amp; Turn® Electronic Oven Control with 8 Cooking Modes</li> <li>– Integrated Warming Drawer</li> </ul> <p><b>Performance</b></p> <ul style="list-style-type: none"> <li>– Genuine European Convection with Advanced Circulation System (ACS)</li> <li>– Bridge Element</li> <li>– Convection Assisted Self Cleaning Oven</li> <li>– 4.6 Cu. Ft. Capacity</li> </ul> <p><b>Safety</b></p> <ul style="list-style-type: none"> <li>– Push-to-Turn Knobs –Limits Unauthorized Cooktop Operation by Children</li> </ul>





Electric



Electric

**500 Series**

- HES5053U Stainless Steel Pro



**Appearance**

- Design Fits to Bosch Family Look
- Recommended Companion to other Bosch 500 Series Products

**Convenience**

- Two Racks and Seven Different Rack Positions Adjust for All Cooking Needs
- Self Clean Cycle Saves Time, Quickly and Easily Cleans your Oven
- Wide View Oven Window -Extra large Window Provides Easy Viewing of Your Food

**Performance**

- Convection Saves Time and Energy - A Fan Provides Even Heat Distribution Throughout the Cavity for Superior Cooking Results
- Extra Large 12" Element Offers the Capability to Use Multiple Pan Sizes
- 100 Watt Warming Zone -Perfect for Keeping Food Ready to Serve or Prewarming Dishes
- Dual Element Offers the Capability to use Multiple Pan Sizes
- Power Element -Quick Heating with Powerful 2,700 Watt Element
- Large Cavity with 5.4 Cu. Ft. Easily Accommodates Large Dishes and Offers Multiple Rack Cooking
- Hidden Bake Element for Improved Cleanability

**Safety**

- Push-to-Turn Knobs -Limits Unauthorized Cooktop Operation by Children

**300 Series**

- HES3053U Stainless Steel
- HES3063U Black
- HES3023U White



**Appearance**

- Design Fits to Bosch Family Look
- Recommended Companion to Ascenta Dishwasher or other Bosch 300 Series Products

**Convenience**

- Two Racks and Seven Different Rack Positions Adjust for All Cooking Needs
- Self Clean Cycle Saves Time, Quickly and Easily Cleans your Oven
- Wide View Oven Window -Extra large Window Provides Easy Viewing of Your Food

**Performance**

- Dual Element Offers the Capability to Use Multiple Pan Sizes
- Power Element -Quick Heating with Powerful 2,500 Watt Element."
- Large Cavity with 5.4 Cu. Ft. Easily Accommodates Large Dishes and Offers Multiple Rack Cooking
- Hidden Bake Element for Improved Cleanability

**Safety**

- Push-to-Turn Knobs -Limits Unauthorized Cooktop Operation by Children

**Colors**



**Stainless Steel Pro**  
(HES7282 Model Shown)



**Stainless Steel**  
(HES5053 Model Shown)



**Black**  
(HES3063 Model Shown)



**White**  
(HES3023 Model Shown)



CSA® approved.

# Ventilation

Under-Cabinet Wall | Chimney Wall | Specialty



## Wall

Whether you prefer under-cabinet or chimney-style ventilation, we offer a complete line of stylish wall hoods with varying CFM levels so you can choose the one that is right for you.

---

Model shown left, above left: DKE9305AUC, DPH30352UC

---



**Custom Insert**

Our new flush-fitting custom insert hoods are designed with minimalist styling that makes them barely visible. And their powerfully quiet fans make them barely audible.

**Island**

Flaunting crisp lines and glass accents, our island hood offers an aesthetically pleasing, sophisticated design that matches the rest of your kitchen.

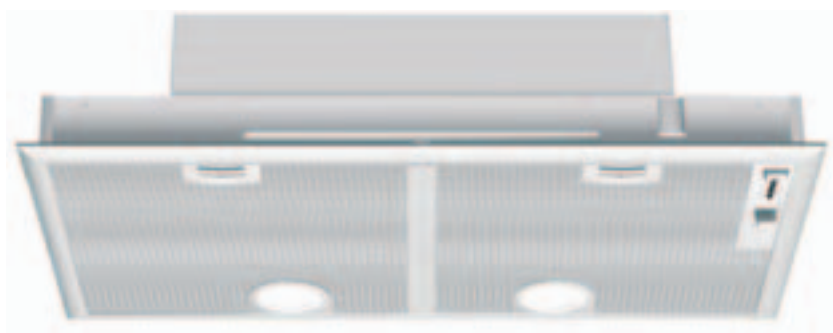
**Downdraft**

The perfect solution for very high ceilings, island installation or simply lack of space, our downdraft rises from behind your cooktop. A rise of over 13" allows for efficient capture of steam and smoke. Available recirculation kit allows venting through the toe-kick of the cabinet.

Model shown directly below: DHL755BUC

Model shown above right: DIE165RUC

Model shown directly below: DHD3014UC



# Every meal now comes with a breath of fresh air.

Bosch's super-efficient, high-performance ventilation products literally freshen the air. Capable of up to 600 CFM, they quickly remove steam, odors, grease and smoke, without adding any distracting noise. As superbly designed as they are quiet, every Bosch ventilation system perfectly complements any Bosch cooktop or range.



## Quality

Your meal should be memorable, not its order. With Bosch's line of quiet, efficient, high-quality ventilation products, you can quickly remove steam, odors, grease and smoke, improving your home's overall air quality.

## Performance

Steam, smoke, grease odors—nothing resists our efficient ventilation systems. With four-speed fans, dual blowers and a wide CFM range, you can adjust the fan to the desired amount of exhaust power. And all this power almost goes unnoticed because our hoods are also quiet. Extremely quiet.

## Quietness

The sound you don't hear might just be cleaning your air. All of our ventilation products are designed to be extraordinarily quiet. With products as quiet as 53 dBA, our powerful dual-inlet blowers operate at whisper-like volumes.





# Under-Cabinet Wall Hoods Specifications






Under-Cabinet Wall Hood






Under-Cabinet Wall Hood



Under-Cabinet Wall Hood

	800 Series 36"	500 Series 36"	300 Series 36"
<b>Model Numbers</b>	– DPH36352UC Stainless Steel	– DUH36252UC Stainless Steel	– DUH36152UC Stainless Steel – DUH36162UC Black – DUH36122UC White
			
<b>Features</b>	<p><b>Appearance</b></p> <ul style="list-style-type: none"> <li>– Brushed Stainless Steel Finish</li> <li>– Professional Design</li> </ul> <p><b>Convenience</b></p> <ul style="list-style-type: none"> <li>– Top or Rear Venting Options</li> <li>– 2 Incandescent Lights</li> <li>– Dishwasher-safe Mesh Filters</li> <li>– Recirculation Option Available</li> <li>– Easy-to-Use Controls</li> </ul> <p><b>Performance</b></p> <ul style="list-style-type: none"> <li>– 450 CFM Blower Included</li> <li>– Quickly and Quietly Clears the Air of Smoke and Odor</li> <li>– Two Power Levels</li> </ul>	<p><b>Appearance</b></p> <ul style="list-style-type: none"> <li>– Brushed Stainless Steel Finish</li> </ul> <p><b>Convenience</b></p> <ul style="list-style-type: none"> <li>– Top or Rear Venting Options</li> <li>– 2 Halogen Lights</li> <li>– Dishwasher-safe Mesh Filters</li> <li>– Easy-to-Use Rotary Control</li> </ul> <p><b>Performance</b></p> <ul style="list-style-type: none"> <li>– 400 CFM Blower Included</li> <li>– Quickly and Quietly Clears the Air of Smoke and Odor</li> <li>– Four Power Levels</li> </ul>	<p><b>Appearance</b></p> <ul style="list-style-type: none"> <li>– Brushed Stainless Steel Finish</li> </ul> <p><b>Convenience</b></p> <ul style="list-style-type: none"> <li>– Top or Rear Venting Options</li> <li>– 2 Incandescent Lights</li> <li>– Dishwasher-safe Mesh Filters</li> <li>– Ducted or Non-Ducted Options</li> <li>– Easy-to-Use Rotary Control</li> </ul> <p><b>Performance</b></p> <ul style="list-style-type: none"> <li>– 280 CFM Blower Included</li> <li>– Quickly and Quietly Clears the Air of Smoke and Odor</li> <li>– Three Power Levels</li> </ul>
<b>Accessories</b>	– DRZ3052UC Recirculation Kit – DHZ3052UC Charcoal Filter	– DHZ3602UC Charcoal Filter	– DHZ3602UC Charcoal Filter

	800 Series 30"	500 Series 30"	300 Series 30"
<b>Model Numbers</b>	– DPH30352UC Stainless Steel	– DUH30252UC Stainless Steel	– DUH30152UC Stainless Steel – DUH30162UC Black – DUH30122UC White
			
<b>Features</b>	<p><b>Appearance</b></p> <ul style="list-style-type: none"> <li>– Brushed Stainless Steel Finish</li> <li>– Professional Design</li> </ul> <p><b>Convenience</b></p> <ul style="list-style-type: none"> <li>– Top or Rear Venting Options</li> <li>– 2 Incandescent Lights</li> <li>– Dishwasher-safe Mesh Filters</li> <li>– Recirculation Option Available</li> <li>– Easy-to-Use Controls</li> </ul> <p><b>Performance</b></p> <ul style="list-style-type: none"> <li>– 450 CFM Blower Included</li> <li>– Quickly and Quietly Clears the Air of Smoke and Odor</li> <li>– Two Power Levels</li> </ul>	<p><b>Appearance</b></p> <ul style="list-style-type: none"> <li>– Brushed Stainless Steel Finish</li> </ul> <p><b>Convenience</b></p> <ul style="list-style-type: none"> <li>– Top or Rear Venting Options</li> <li>– 2 Halogen Lights</li> <li>– Dishwasher-safe Mesh Filters</li> <li>– Easy-to-Use Rotary Control</li> </ul> <p><b>Performance</b></p> <ul style="list-style-type: none"> <li>– 400 CFM Blower Included</li> <li>– Quickly and Quietly Clears the Air of Smoke and Odor</li> <li>– Four Power Levels</li> </ul>	<p><b>Appearance</b></p> <ul style="list-style-type: none"> <li>– Brushed Stainless Steel Finish</li> </ul> <p><b>Convenience</b></p> <ul style="list-style-type: none"> <li>– Top or Rear Venting Options</li> <li>– 2 Incandescent Lights</li> <li>– Dishwasher-safe Mesh Filters</li> <li>– Easy-to-Use Rotary Control</li> </ul> <p><b>Performance</b></p> <ul style="list-style-type: none"> <li>– 280 CFM Blower Included</li> <li>– Quickly and Quietly Clears the Air of Smoke and Odor</li> <li>– Three Power Levels</li> </ul>
<b>Accessories</b>	– DRZ3652UC Recirculation Kit – DHZ3052UC Charcoal Filter	– DHZ3002UC Charcoal Filter	– DHZ3002UC Charcoal Filter

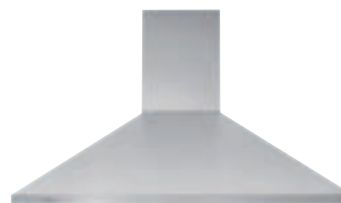
# Chimney Wall Hoods Specifications



Glass Canopy Wall Hood



Canopy Wall Hood



Canopy Wall Hood

800 Series 36"	500 Series 36"	300 Series 36"
– DKE9665PUC Stainless Steel	– DKE9465MUC Stainless Steel	– DKE9365AUC Stainless Steel
<p><b>Appearance</b></p> <ul style="list-style-type: none"> <li>– Sophisticated Glass Canopy</li> <li>– Wall or Ceiling Mounted Chimney Hood</li> <li>– Brushed Stainless Steel Finish</li> </ul> <p><b>Convenience</b></p> <ul style="list-style-type: none"> <li>– Dishwasher-safe Mesh Filters</li> <li>– Seven-segment Digital Display</li> <li>– Recirculation Option Available</li> <li>– 2 Halogen Lights</li> <li>– Adjustable Chimney</li> </ul> <p><b>Performance</b></p> <ul style="list-style-type: none"> <li>– 600 CFM Blower Included</li> <li>– Whisper-quiet at 54 dBA</li> <li>– Quickly and Quietly Clears the Air of Smoke and Odor</li> <li>– Four Power Levels</li> </ul>	<p><b>Appearance</b></p> <ul style="list-style-type: none"> <li>– Brushed Stainless Steel Finish</li> </ul> <p><b>Convenience</b></p> <ul style="list-style-type: none"> <li>– Dishwasher-safe Mesh Filters</li> <li>– Seven-segment Digital Display</li> <li>– Recirculation Option Available</li> <li>– 2 Halogen Lights</li> <li>– Adjustable Chimney</li> </ul> <p><b>Performance</b></p> <ul style="list-style-type: none"> <li>– 600 CFM Blower Included</li> <li>– Whisper-quiet at 53 dBA</li> <li>– Quickly and Quietly Clears the Air of Smoke and Odor</li> <li>– Four Power Levels</li> </ul>	<p><b>Appearance</b></p> <ul style="list-style-type: none"> <li>– Pyramid-style Canopy</li> <li>– Wall Mounted Chimney Hood</li> <li>– Brushed Stainless Steel Finish</li> </ul> <p><b>Convenience</b></p> <ul style="list-style-type: none"> <li>– Dishwasher-safe Mesh Filters</li> <li>– Slide-Switch Control</li> <li>– 2 Incandescent Lights</li> <li>– Adjustable Chimney</li> </ul> <p><b>Performance</b></p> <ul style="list-style-type: none"> <li>– 400 CFM Blower Included</li> <li>– Whisper-quiet at 58 dBA</li> <li>– Quickly and Quietly Clears the Air of Smoke and Odor</li> <li>– Three Power Levels</li> </ul>
<ul style="list-style-type: none"> <li>– DRZ94UC Recirculation Kit</li> <li>– DHZ9600UC Chimney Extension</li> </ul>	<ul style="list-style-type: none"> <li>– DRZ94UC Recirculation Kit</li> <li>– DHZ9400UC Chimney Extension</li> </ul>	<ul style="list-style-type: none"> <li>– DRZ94UC Recirculation Kit</li> <li>– DHZ9300UC Chimney Extension</li> </ul>

800 Series 30"	500 Series 30"	300 Series 30"
– DKE9605PUC Stainless Steel	– DKE9405MUC Stainless Steel	– DKE9305AUC Stainless Steel
<p><b>Appearance</b></p> <ul style="list-style-type: none"> <li>– Sophisticated Glass Canopy</li> <li>– Wall or Ceiling Mounted Chimney Hood</li> <li>– Brushed Stainless Steel Finish</li> </ul> <p><b>Convenience</b></p> <ul style="list-style-type: none"> <li>– Dishwasher-safe Mesh Filters</li> <li>– Seven-segment Digital Display</li> <li>– Recirculation Option Available</li> <li>– 2 Halogen Lights</li> <li>– Adjustable Chimney</li> </ul> <p><b>Performance</b></p> <ul style="list-style-type: none"> <li>– 600 CFM Blower Included</li> <li>– Whisper-quiet at 54 dBA</li> <li>– Quickly and Quietly Clears the Air of Smoke and Odor</li> <li>– Four Power Levels</li> </ul>	<p><b>Appearance</b></p> <ul style="list-style-type: none"> <li>– Brushed Stainless Steel Finish</li> </ul> <p><b>Convenience</b></p> <ul style="list-style-type: none"> <li>– Dishwasher-safe Mesh Filters</li> <li>– Seven-segment Digital Display</li> <li>– Recirculation Option Available</li> <li>– 2 Halogen Lights</li> <li>– Adjustable Chimney</li> </ul> <p><b>Performance</b></p> <ul style="list-style-type: none"> <li>– 600 CFM Blower Included</li> <li>– Whisper-quiet at 53 dBA</li> <li>– Quickly and Quietly Clears the Air of Smoke and Odor</li> <li>– Four Power Levels</li> </ul>	<p><b>Appearance</b></p> <ul style="list-style-type: none"> <li>– Pyramid-style Canopy</li> <li>– Wall Mounted Chimney Hood</li> <li>– Brushed Stainless Steel Finish</li> </ul> <p><b>Convenience</b></p> <ul style="list-style-type: none"> <li>– Dishwasher-safe Mesh Filters</li> <li>– Slide-Switch Control</li> <li>– 2 Incandescent Lights</li> <li>– Adjustable Chimney</li> </ul> <p><b>Performance</b></p> <ul style="list-style-type: none"> <li>– 400 CFM Blower Included</li> <li>– Whisper-quiet at 58 dBA</li> <li>– Quickly and Quietly Clears the Air of Smoke and Odor</li> <li>– Three Power Levels</li> </ul>
<ul style="list-style-type: none"> <li>– DRZ94UC Recirculation Kit</li> <li>– DHZ9600UC Chimney Extension</li> </ul>	<ul style="list-style-type: none"> <li>– DRZ94UC Recirculation Kit</li> <li>– DHZ9400UC Chimney Extension</li> </ul>	<ul style="list-style-type: none"> <li>– DRZ94UC Recirculation Kit</li> <li>– DHZ9300UC Chimney Extension</li> </ul>



# Specialty Hoods Specifications



Glass Island Hood



Custom Insert Hood



Downdraft

	40"	29" For Applications up to 36"	36"
<b>Model Numbers</b>	– DIE165RUC Stainless Steel	– DHL755BUC Metallic	– DHD3614UC Stainless Steel
<b>Features</b>	<p><b>Appearance</b></p> <ul style="list-style-type: none"> <li>– Sophisticated Glass Canopy</li> <li>– Ceiling Mounted Chimney Hood</li> <li>– Brushed Stainless Steel Finish</li> </ul> <p><b>Convenience</b></p> <ul style="list-style-type: none"> <li>– 2 Control Panels for Easy Access from Around an Island</li> <li>– Dishwasher-safe Mesh Filters</li> <li>– Seven-segment Digital Display</li> <li>– 4 Halogen Lights with Dimmer</li> <li>– Adjustable Chimney</li> </ul> <p><b>Performance</b></p> <ul style="list-style-type: none"> <li>– 600 CFM Blower Included</li> <li>– Additional Insulation for Extremely Quiet Operation</li> <li>– Quickly and Quietly Clears the Air of Smoke and Odor</li> <li>– Four Power Levels</li> </ul>	<p><b>Appearance</b></p> <ul style="list-style-type: none"> <li>– Wall or Island Installations – Up to 36" Wide</li> </ul> <p><b>Convenience</b></p> <ul style="list-style-type: none"> <li>– Dishwasher-safe Mesh Filters</li> <li>– Slide-Switch Control</li> <li>– 2 Halogen Lights</li> </ul> <p><b>Performance</b></p> <ul style="list-style-type: none"> <li>– 400 CFM Blower Included</li> <li>– Quickly and Quietly Clears the Air of Smoke and Odor</li> <li>– Four Power Levels</li> </ul>	<p><b>Appearance</b></p> <ul style="list-style-type: none"> <li>– Stands Over 13" Tall</li> <li>– Wall or Island Installations</li> <li>– Lowers Out of Sight When Not in Use</li> </ul> <p><b>Convenience</b></p> <ul style="list-style-type: none"> <li>– Intake Area Captures Smoke, Odor, and Grease</li> <li>– Dishwasher-safe Mesh Filters</li> <li>– Full Face Mesh Filters</li> <li>– Recirculation Option Available</li> <li>– Use with an Integrated Duct Blower Left, Right, or Straight Down</li> <li>– Recirculation Option Also Available</li> </ul> <p><b>Performance</b></p> <ul style="list-style-type: none"> <li>– 600 CFM Blower Options (Sold Separately)</li> <li>– Quickly and Quietly Clears the Air of Smoke and Odor</li> <li>– Three Power Levels</li> </ul>
<b>Accessories</b>			<ul style="list-style-type: none"> <li>– DHG601DUC 600 CFM Internal Blower</li> <li>– DHG6015DUC 600 CFM Inline Blower</li> <li>– DHG6023UC 600 CFM Remote Blower</li> <li>– DHDRM36UC Recirculation Kit</li> <li>– DHZDHR6 Transition for Remote and Inline Blowers Installation</li> </ul>





Downdraft

30"

– DHD3014UC Stainless Steel



**Appearance**

- Stands Over 13" Tall
- Wall or Island Installations
- Lowers Out of Sight When Not in Use

**Convenience**

- Intake Area Captures Smoke, Odor, and Grease
- Dishwasher-safe Mesh Filters
- Full Face Mesh Filters
- Recirculation Option Available
- Use with an Integrated Duct Blower Left, Right, or Straight Down
- Recirculation Option Also Available

**Performance**

- 600 CFM Blower Options (Sold Separately)
- Quickly and Quietly Clears the Air of Smoke and Odor
- Three Power Levels

- DHG601DUC 600 CFM Internal Blower
- DHG6015DUC 600 CFM Inline Blower
- DHG6023UC 600 CFM Remote Blower
- DHDRM36UC Recirculation Kit
- DHZDHR6 Transition for Remote and Inline Blowers Installation



# Built-in Coffee Machine

Benvenuto®




# It is your kitchen. It just smells like an Italian cafe.



### AromaSwirl®

The patented AromaSwirl system completely engulfs coffee grounds with water in a pressurized chamber, for the most authentic-tasting coffee you've ever experienced from a home machine.

Built-in Benvenuto® Coffee Machine	
<b>Model Number</b>	– TKN68E75UC Stainless Steel
	
<b>Features</b>	<p><b>Appearance</b></p> <ul style="list-style-type: none"> <li>– Brushed Stainless Steel Finish</li> </ul> <p><b>Convenience</b></p> <ul style="list-style-type: none"> <li>– One Touch Operation</li> <li>– Height-adjustable Coffee Dispenser</li> </ul> <p><b>Performance</b></p> <ul style="list-style-type: none"> <li>– AromaSwirl System Completely Engulfs Coffee Grounds with Water in a Pressurized Chamber</li> </ul>



### Height-adjustable Coffee Dispenser

Benvenuto's® dispenser can be adjusted to accommodate virtually any cup size, from a small espresso cup to a tall latte glass.



### One Touch Operation

The Bosch Benvenuto® is so simple, anyone can use it. You can start the entire brewing process with just the push of a button.





**Proof we don't leave good ideas on the shelf.** They are the shelves. EasyLift™ shelves and door bin help make food storage and access a snap, with flexible adjustments that allow you to easily modify the space inside your refrigerator. But convenience is just one of the reasons our refrigerators are as cool and fresh as the food that's put in them. Style is another. Our counter-depth line offers energy-efficient technology with the stylish appearance of a built-in look, making Bosch refrigerators easy on the eyes—and the electricity bill.





# Refrigeration

Integra® | Linea™

# Fall in love with the tall, silent, efficient type.

## Built-in models

Offering two types of design options, the Bosch Integra® refrigerators are built-in refrigerators that provide a custom fit for your kitchen and your family's needs. Our built-in unit also brings several advanced features, like the MarketFresh® food preservation system, which keeps your food fresh and healthy.



### Convenience



#### Pre-assembled system

Bosch Integra is now simpler and faster to install than ever before. All Bosch French-door bottom mounts come pre-assembled with stainless steel panels and handles in one box.

#### OptiFlex™ hinge

Designed to open out and away from the cabinetry, this ingenious hinge construction allows doors to be mounted flush, yet open to 115°, without touching or nicking surrounding cabinets.

#### Ice bin

The new and improved ice bin has been re-designed for maximum ice production and storage.

#### Full-extension drawers

Even with the door at a 90-degree angle, Bosch refrigerators provide you with the convenience to fully extend the drawers for easy access to your food.



### Framed or flush design

Either way, you get a very flexible, functional refrigerator and a smart look. With a fully flush installation, the refrigerator is lined up exactly with your cabinets, providing a sleek appearance. The framed installation makes for a classic built-in semi-flushed design that works with 24" depth cabinetry.

### Food preservation



#### Dual evaporator and dual compressor

Innovative Bosch technology that has a separate evaporator for the fridge and freezer sections, prevents the transfer of flavors and allows the fridge and freezer temperature to be controlled independently. And the dual compressor provides added benefits by further preventing odor transfer and improving the proper moisture throughout the refrigerator.



#### MarketFresh® Food Preservation System

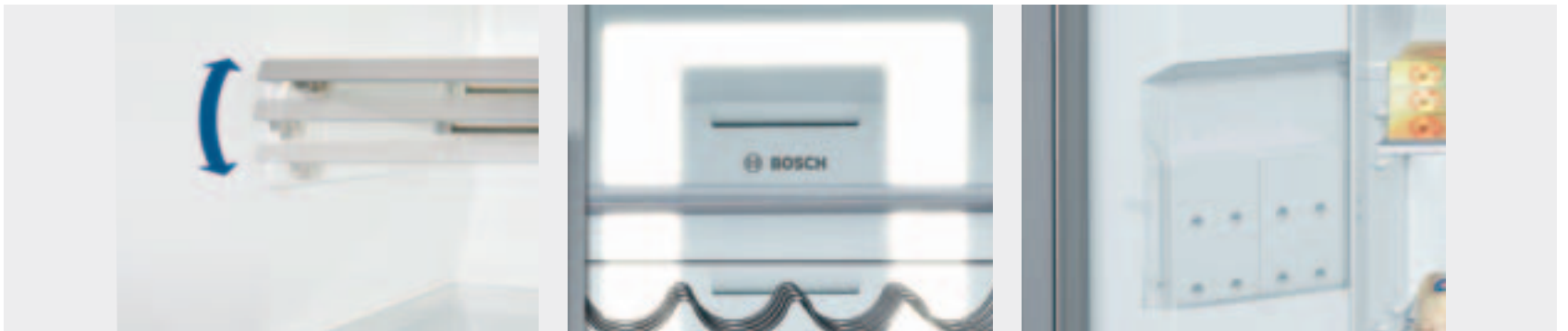
This integrated system helps keep all of your food at the peak of freshness. With innovative technology like an additional cooling channel in the refrigerator door and an adjustable temperature-controlled drawer, items stored anywhere in the unit will stay fresh.

#### Deli drawer

The Bosch deli drawer is designed for optimal storage of meats and cheeses — giving you plenty of space to store— and see— your perishables.

## Free standing counter-depth models

The new Bosch Linea™ counter-depth refrigerator is perhaps the most beautiful combination of high-convenience technology, superior food preservation and intelligent design ever made. With easy installation and sleek design, the Linea double-door space marvel sets ground-breaking standards and proves that maximum convenience does not have to be bad news for the environment.



### Convenience



#### EasyLift™ shelves and door bin

Is the cake platter too tall?

Simply lower or raise shelves without unloading and removing them. German engineering for everyday living. A fantastic addition!

#### Water and ice dispenser

Help yourself, whenever you want. This advanced filling station dispenses water, crushed ice and ice cubes. Use the QuickIce function when in a hurry. A water filter ensures the freshest tasting water and an exceptionally bright LED light makes filling a small glass or an oversized pitcher easier than ever.



#### CoolGlow™ LED interior lighting

A star performance behind closed doors. The interior of the Linea 800 Series shines with an exceptionally bright LED light for optimum viewing. Nothing will be overlooked or forgotten in this brightly illuminated fridge.

#### CoolPaks™

No more leaky bags of ice. CoolPaks are made to keep food and beverages cold while in a cooler. The two reusable CoolPaks will keep a 10-quart cooler chilled, and they can even keep your refrigerator cool during power outages! An added bonus: CoolPaks conveniently store in their own compartment in the freezer door.



## Food preservation



### Dual evaporator

No one wants their ice cream to taste like fish. Thanks to innovative Bosch technology, which has a separate evaporator for the fridge and freezer sections, this isn't a problem. Two separate refrigeration loops not only prevent the transfer of flavors, they also allow the fridge and freezer temperature to be controlled independently.



### AirFresh filter

This activated carbon air filter from Bosch helps food retain its flavor and keeps ice tasting fresh. To save space, the filter is built into the vents that circulate air through the refrigerator several times per hour, helping clean the air of any unwanted odors.



### FreshProtect™ Box

Cool, tailor-made solutions for fish and meat, produce or dairy products. The precise temperature settings—31°F, 34°F or 37°F—help food stored in the FreshProtect Box stay fresh longer. The box extends smoothly on telescopic rails and has a net capacity of five gallons. Independent of the remaining fridge section, the temperature is set via the control panel on the door exterior.



### Anti-bacterial lining

All Linea™ refrigerators have natural silver elements embedded in the lining of the interior walls. Silver has strong anti-bacterial effects and neutralizes odors. A hygienic atmosphere will help food stay and taste fresh.

## Efficiency

### ENERGY STAR® Qualified

Every Bosch refrigerator is ENERGY STAR Qualified. With efficient features, such as an alarm indicating the door is ajar, Vacation Mode and Economy Mode, Bosch can significantly reduce your energy bills.




### EcoControl

Saves energy with easily accessible outside controls. Independently change the fridge, freezer and FreshProtect Box without ever opening the refrigerator doors.



# Integra® Refrigeration Specifications



36" Refrigerator with Flush Design	
<b>Model Numbers</b>	– B36ET71SNS Stainless Steel
	  
<b>Features</b>	<p><b>Appearance</b></p> <ul style="list-style-type: none"> <li>– Unique Integrated Design Offers the Ultimate Built-in Look</li> <li>– Optiflex Hinge™ –Opens Out and Away from the Cabinetry Allowing True Integrated Installation and Opens 115 Degrees</li> </ul> <p><b>Performance</b></p> <ul style="list-style-type: none"> <li>– Dual Refrigeration System with Two Compressors and Two Evaporators for Best Humidity / Temperature and No Odor Transfer</li> <li>– Deli Drawer for the Best Food Storage of Fish, Meat and Vegetables</li> <li>– Cold Air Channel Behind the Door Bins Ensures that Food Items Stored on the Door are as Cold as Items on the Shelves</li> <li>– Electronic Sensor Controls – Keep Temperatures Consistent so Food Stays Fresh No Matter Where it is Stored</li> <li>– SuperCool™ –Quickly Balances Temperatures Between Cool Items and Newly Placed Goods</li> <li>– SuperFreeze™ –Quickly Balances Temperatures Between Frozen Items and Newly Placed Goods</li> </ul> <p><b>Convenience</b></p> <ul style="list-style-type: none"> <li>– Pre-assembled with Stainless Steel Panels and Handles for Quick Installation</li> <li>– MaxBright™ Lighting System –Provides Even Light Distribution and Brightens Entire Cavity for a Clearer Look</li> <li>– Water Filter</li> </ul> <p><b>Safety</b></p> <ul style="list-style-type: none"> <li>– Door Open Alarm –This Alarm Gently Notifies You When the Door is Left Ajar for More Than a Minute</li> </ul> <p><b>Efficiency</b></p> <ul style="list-style-type: none"> <li>– Economy Mode –Saves Energy During Everyday Use</li> <li>– Vacation Mode –Ideal Setting to Conserve Energy While Away for a Prolonged Period</li> <li>– Sabbath Mode –Special Holiday Mode Complies with Certain Religious Holiday Observances</li> <li>– ENERGY STAR® Qualified</li> </ul>



### 36" Refrigerator with Framed Design

**Model Numbers** – B36IT71SNS Stainless Steel w/Frame



#### Features

##### Appearance

- Stainless Steel Frame for Classic Built-in Design
- Optiflex Hinge™ –Opens Out and Away from the Cabinetry Allowing True Integrated Installation and Opens 115 Degrees

##### Performance

- Dual Refrigeration System with Two Compressors and Two Evaporators for Best Humidity / Temperature and No Odor Transfer
- Deli Drawer for the Best Food Storage of Fish, Meat and Vegetables
- Cold Air Channel Behind the Door Bins Ensures that Food Items Stored on the Door are as Cold as Items on the Shelves
- Electronic Sensor Controls –Keep Temperatures Consistent so Food Stays Fresh No Matter Where it is Stored
- SuperCool™ –Quickly Balances Temperatures Between Cool Items and Newly Placed Goods
- SuperFreeze™ –Quickly Balances Temperatures Between Frozen Items and Newly Placed Goods

##### Convenience

- Pre-assembled with Stainless Steel Panels and Handles for Quick Installation
- MaxBright™ Lighting System –Provides Even Light Distribution and Brightens Entire Cavity for a Clearer Look
- Water Filter

##### Safety

- Door Open Alarm –This Alarm Gently Notifies You When the Door is Left Ajar for More Than a Minute







##### Efficiency

- Economy Mode –Saves Energy During Everyday Use
- Vacation Mode –Ideal Setting to Conserve Energy While Away for a Prolonged Period
- Sabbath Mode –Special Holiday Mode Complies with Certain Religious Holiday Observances
- ENERGY STAR® Qualified



# Linea™ Refrigeration Specifications



800 Series	
<b>Model Numbers</b>	– B22CS80SNS Stainless Steel
     	
<b>Features</b>	<p><b>Appearance</b></p> <ul style="list-style-type: none"> <li>– Color Matched Sides for a Full Stainless Steel Look</li> </ul> <p><b>Performance</b></p> <ul style="list-style-type: none"> <li>– Dual Evaporator Prevents Flavor Transfer from the Fridge to the Freezer and Maximizes Energy Efficiency with Individual Temperature Control for Each Compartment</li> <li>– FreshProtect Box –Three Adjustable Temperature Settings for Fish and Meat, Dairy or Produce</li> <li>– AirFresh Filter –an Activated Carbon Filter Constantly Scrubs Air for a Clean Smell</li> <li>– AntiBacteria Lining – Silver Ions in the Lining Provide a Hygienic Atmosphere</li> <li>– Multi-Flow Shower Cooling System™ for Optimum, Uniform Cold Air Circulation</li> <li>– SuperCool™ Quickly Balances Temperatures Between Cool Items and Newly Placed Goods</li> <li>– SuperFreeze™ Quickly Balances Temperatures Between Frozen Items and Newly Placed Goods</li> <li>– Hide-away Water Filter Maximizes Storage Capacity</li> <li>– QuickIce for Fast Ice Production When you Need It</li> <li>– Unique Frameless Glass Shelves</li> <li>– Touch Controls with LCD Display</li> <li>– Counter-Depth Size, True Built-in Look</li> <li>– Hidden Hinges</li> <li>– Long Door –No Unsightly Grill Disrupting the Sleek Design</li> </ul> <p><b>Convenience</b></p> <ul style="list-style-type: none"> <li>– EasyLift™ Shelf –Move the Shelf Up or Down, Even When Loaded with Items</li> <li>– EasyLift™ Door Bin –Move the Bin Up or Down, Even When Loaded with Items</li> <li>– Frameless Exterior Ice and Water Dispenser Serves Filtered Water and Both Crushed and Cubed Ice; with LED Illumination</li> <li>– CoolGlow™ LED Interior Lighting</li> <li>– CoolPaks™ for Ice Coolers are Conveniently Stored in their Own Compartment in the Freezer Door</li> <li>– Deli Drawer</li> <li>– Can Rack</li> <li>– Bottle Rack</li> <li>– Gallon Door Bin</li> <li>– Full Extension Freezer Drawers</li> <li>– Tilt-out Door Bins in Freezer for Easy Access</li> </ul> <p><b>Safety</b></p> <ul style="list-style-type: none"> <li>– Active Warning System with Memory Function and Door Monitor</li> <li>– Dispenser Control Lock</li> </ul> <p><b>Efficiency</b></p> <ul style="list-style-type: none"> <li>– Economy Mode Saves Energy During Everyday Use</li> <li>– Vacation Mode Conserves Energy While Away for a Prolonged Period</li> <li>– Sabbath Mode Complies with Certain Religious Holiday Observances</li> <li>– ENERGY STAR® Qualified</li> </ul>





### 500 Series

#### Model Numbers

- B22CS50SNS Stainless Steel
- B22CS50SNB Black
- B22CS50SNW White



#### Features

##### Appearance

- Color Matched Sides for a Full Stainless Steel Look

##### Performance

- Dual Evaporator Prevents Flavor Transfer from the Fridge to the Freezer and Maximizes Energy Efficiency with Individual Temperature Control for Each Compartment
- FreshProtect Box –Three Adjustable Temperature Settings for Fish and Meat, Dairy or Produce
- AirFresh Filter –an Activated Carbon Filter Constantly Scrubs Air for a Clean Smell
- AntiBacteria Lining – Silver Ions in the Lining Provide a Hygienic Atmosphere
- Multi-Flow Shower Cooling System™ for Optimum, Uniform Cold Air Circulation
- SuperCool™ Quickly Balances Temperatures Between Cool Items and Newly Placed Goods
- SuperFreeze™ Quickly Balances Temperatures Between Frozen Items and Newly Placed Goods
- Hide-away Water Filter Maximizes Storage Capacity
- QuickIce for Fast Ice Production When you Need It
- Unique Frameless Glass Shelves
- Touch Controls with LCD Display
- Counter-Depth Size, True Built-in Look
- Hidden Hinges
- Long Door –No Unsightly Grill Disrupting the Sleek Design

##### Convenience

- EasyLift Shelf – Move the Shelf Up or Down, Even When Loaded with Items
- Frameless Exterior Ice and Water Dispenser Serves Filtered Water and Both Crushed and Cubed Ice; with LED Illumination
- Extra Bright Halogen Lighting
- CoolPaks™ for Ice Coolers are Conveniently Stored in their Own Compartment in the Freezer Door
- Deli Drawer
- Can Rack
- Bottle Rack
- Gallon Door Bin
- Full Extension Freezer Drawers
- Tilt-out Door Bins in Freezer for Easy Access

##### Safety




- Active Warning System with Memory Function and Door Monitor
- Dispenser Control Lock

##### Efficiency

- Economy Mode Saves Energy During Everyday Use
- Vacation Mode Conserves Energy While Away for a Prolonged Period
- Sabbath Mode Complies with Certain Religious Holiday Observances
- ENERGY STAR® Qualified

# Linea™ Refrigeration Specifications



300 Series	
<b>Model Numbers</b>	– B22CS30SNS Stainless Steel
  	
<b>Features</b>	<p><b>Appearance</b></p> <ul style="list-style-type: none"> <li>– Color Matched Sides for a Full Stainless Steel Look</li> </ul> <p><b>Performance</b></p> <ul style="list-style-type: none"> <li>– Dual Evaporator Prevents Flavor Transfer from the Fridge to the Freezer and Maximizes Energy Efficiency with Individual Temperature Control for Each Compartment</li> <li>– Humidity Controlled Drawer for any Type of Food: Fish, Meat, Vegetables, Fruits and Dairy</li> <li>– AirFresh Filter –an Activated Carbon Filter Constantly Scrubs Air for a Clean Smell</li> <li>– AntiBacteria Lining –Silver Ions in the Lining Provide a Hygienic Atmosphere</li> <li>– Multi-Flow Shower Cooling System™ for Optimum, Uniform Cold Air Circulation</li> <li>– SuperCool™ Quickly Balances Temperatures Between Cool Items and Newly Placed Goods</li> <li>– SuperFreeze™ Quickly Balances Temperatures Between Frozen Items and Newly Placed Goods</li> <li>– Hide-away Water Filter Maximizes Storage Capacity</li> <li>– QuickIce for Fast Ice Production When You Need It</li> <li>– Spill Proof Glass Shelves</li> <li>– Touch Controls with LED Display</li> <li>– Counter-Depth Size, True Built-in Look</li> <li>– Hidden Hinges</li> <li>– Long Door –No Unsightly Grill Disrupting the Sleek Design</li> </ul> <p><b>Convenience</b></p> <ul style="list-style-type: none"> <li>– Frameless Exterior Ice and Water Dispenser Serves Filtered Water and Both Crushed and Cubed Ice; with LED Illumination</li> <li>– Extra Bright Halogen Lighting</li> <li>– Deli Drawer</li> <li>– Gallon Door Bin</li> <li>– Full Extension Freezer Drawers</li> <li>– Tilt-out Door Bins in Freezer for Easy Access</li> </ul> <p><b>Safety</b></p> <ul style="list-style-type: none"> <li>– Active Warning System with Memory Function and Door Monitor</li> <li>– Dispenser Control Lock</li> </ul> <p><b>Efficiency</b></p> <ul style="list-style-type: none"> <li>– ENERGY STAR® Qualified</li> </ul>

## Colors



**Stainless Steel**  
(B22CS50SNS Model Shown)



**Black**  
(B22CS50SNB Model Shown)



**White**  
(B22CS50SNW Model Shown)







**We think a lot about what goes into a load of laundry.** More than just your clothes, it's a commitment to engineer a better way to clean them more efficiently. Our thinking features ideas like the Stain Removal Option in our Vision™ washer, which removes all kinds of stains in just one load. And DynamicAir™, which uses an incomparable 685 holes in the backshield of our Vision dryer to move more air to gently dry your clothes more thoroughly at a lower temperature. We think you'll enjoy the results on your clothes—and your overall energy usage.





# Laundry

Vision™ | Axxis®



# Cleaner clothes. With a clearer conscience.

## Full Size

Our machines are so advanced that they are the most energy- and water-efficient brand of full-sized, front-load washers in the U.S.\* All this while still offering superior cleaning results. The powerful combination of efficiency, safety, value and engineering is what makes Bosch washers and dryers the best you'll ever own.



\*Based on the average energy consumption by brand for full-size 27" front loaders, as listed on the ENERGY STAR® website ([www.energystar.gov](http://www.energystar.gov)), April 2009. \*\*Industry average based on non-ENERGY STAR® qualified clothes washer per cycle water consumption.



## Efficiency

### EcoSmart™

EcoSmart technology features an intelligent network of sensors, designed to maximize efficiency while delivering superior cleaning performance. The load sensor adjusts the amount of water in each load depending on size, and the thermostat controlled heater monitors the water temperature, ensuring no energy is wasted. Cycle time is also regulated so you always run your machine for the optimum length.

### Most Efficient

Bosch is the most efficient brand of full-size, front-load washers in the U.S.\* In fact, Bosch leads the industry in both energy and water efficiency.



### EcoAction®

For ultimate efficiency, every Bosch washer and dryer offers EcoAction. This option adjusts cycle temperature and cycle length with the touch of a button. Energy consumption is reduced by up to 10% in the dryers and up to an impressive 20% in the washers.

### ActiveWater™

The Bosch ActiveWater system is the most effective and efficient use of water, providing the best cleaning results with the least amount of water usage. Bosch washers with ActiveWater consume an average of only 13 gallons per cycle, but wash with the power of 400 gallons. That is up to 64% less water per load than the industry average.\*\*



## Performance

### ActiveClean™

The five-part ActiveClean wash system ensures precision cleaning for all types of clothes and wash cycles. Water temperature, mechanical action, water level, time and chemical dispersion are all controlled by this unique technology in order to maximize the cleaning performance of our washers. Vision paddles move clothes aggressively for durable fabrics or gently for delicate fabrics. The Jet Dispenser adds detergent or other chemicals—such as bleach—quickly and evenly, and the washer heats up the water temperature to an outstanding 170° F for specialized cycles.

### ActiveDry™

Ensuring perfect drying results is not an easy task; however, at Bosch we enjoy challenges. That's why our three-part ActiveDry system maintains the exact drying temperature, monitors the moisture left in your clothes and prevents wrinkles before they start. What more could you ask for?



### Stain Removal Option

Remove 14 different everyday stains with just a touch of a button. Different stains require different temperatures to treat them, so the Stain Removal Option incrementally increases water temperature to target each stain at the optimal level. Select with any cycle and easily remove grass, red wine or tough grease stains without pre-soaking.



### Steam

Wrinkle relax, touch-up or refresh clothes in less than 20 minutes. Relax wrinkles to reduce or eliminate the need for ironing and dry-cleaning. Select “Touch-up” to soften garments that have remained in the dryer long after the cycle ended—for that just-out-of-the-dryer freshness. Refresh previously worn clothes to remove odors such as smoke or perfume.



### DynamicAir™

Bosch dryers blow a high volume of air at lower temperatures rather than overheating clothes like most dryers do. So your clothes are dried perfectly, keeping them beautiful for years to come, while using less energy than traditional dryers.

## Thoughtful engineering



### AquaShield™ and AquaStop®

Bosch is the only U.S. manufacturer to offer a leak protection system in their washers. The AquaShield system contains a sensor in the bottom of the washer that will shut down the operation of the machine and automatically pump out excess water. AquaStop takes leak protection one step further by adding a double-walled hose that contains the water if the inner hose fails, and a shut-off valve stops the water supply. AquaStop eliminates the risk of major water damage.

### AVS® Anti-Vibration System



An advanced suspension-system drastically reduces vibration and noise from unbalanced loads during the spin cycle. This is especially important in homes where the laundry system is installed on the second story. No vibrations will be transmitted to the floor and ceiling below, ensuring safe and quiet operation.



### Extended WrinkleBlock®

Featuring advanced WrinkleBlock technology, the Vision™ dryer ensures your clothes stay wrinkle-free for up to three hours.

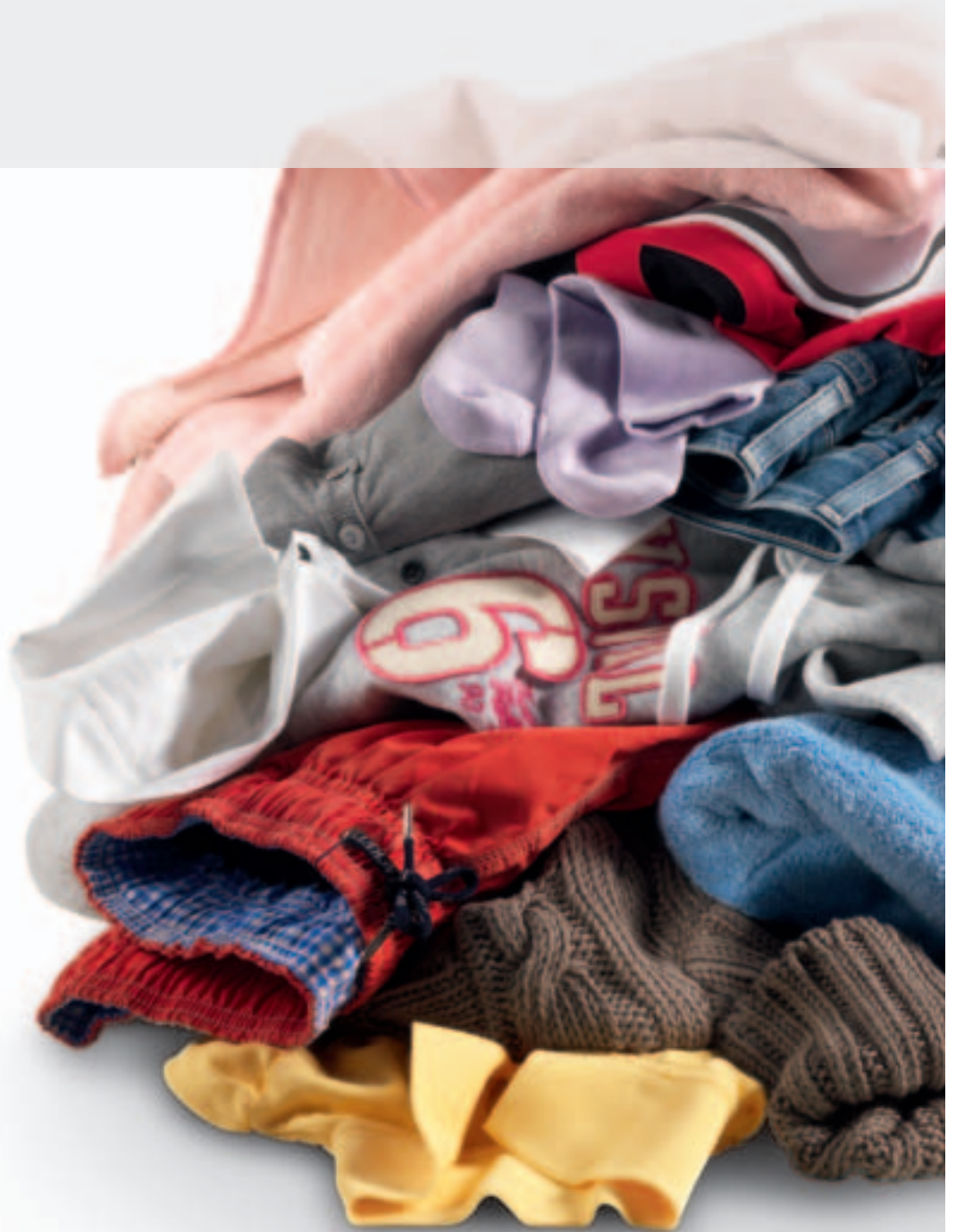


**XxtraSanitary®**

Using a thermostat-controlled, intelligent sensor for improved precision, this innovative cycle heats up the water to 170° F and maintains this temperature for exactly three minutes. After killing 99.9% of most common household bacteria, the water temperature is reduced to a gentler 150° F to prevent fabric breakdown.

**NSF-certified**

Bosch washers have been certified by the NSF to eliminate 99.9% of the most common bacteria when run on the XxtraSanitary cycle, while eliminating any carryover of bacteria into future loads. The NSF is an independent, not-for-profit organization, one of the most respected independent certification companies in existence today.



**Compact**

Bosch stackable compact laundry pairs have an exceptionally small footprint, saving valuable floor space while enjoying excellent cleaning results. And with the largest capacity in its class, the Axxis® washer easily fits up to 14 pairs of jeans in one load.





**Convenience**



**Condensation drying**

The Axxis® condensation clothes dryer condenses the moisture in the hot air to water and releases it through the water drain. No ducting and no blower is necessary to help expel hot air. This makes installation easy, fast, and very cost-effective.

**Touch Controls**

Axxis washers are extremely easy to use, thanks to their convenient Touch Controls. Easily activate each cycle with just the touch of a button, then use the easy-to-read display to view your selection and monitor your progress.



**WrinkleBlock®**

Axxis dryers have up to a 2 hour extended WrinkleBlock to help keep your clothes wrinkle free.

**Gentle care**

**Unique structured drum**

The Axxis washer features a raindrop drum pattern that resists snags, for powerful cleaning that protects your clothes. Depending on the cycle, the washer adjusts the direction of the drum rotation, using the steeper edges for heavy-duty jobs or the shallow edges for delicate fabrics that require gentler care.

**Low-heat option**

The low-heat option performs safely on your most delicate fabrics, providing the ultimate in fabric care.

**Tailored washing programs**

With up to 15 different tailored washer programs and up to 11 different tailored dryer programs, Bosch offers the flexibility and fabric care that specifically meet your needs.

**Efficiency**



**ENERGY STAR® Qualified**

Bosch clothes washers are ultra-efficient. In fact, they exceed ENERGY STAR® requirements by up to 76%.

**SensoTronic® Plus**

The Bosch SensoTronic Plus is a network of sensors that continuously analyzes the wash by determining the weight, balance, and temperature, as well as the level of water and suds. Optimal adjustments are made automatically for maximum efficiency and effective washing.

# Vision™ Washer Specifications





	800 Series	500 Series	500 Series
<b>Model Numbers</b>	– WFVC8440UC White	– WFVC5440UC White	– WFVC6450UC White
	   	   	   
<b>Features</b>	<p><b>Appearance</b></p> <ul style="list-style-type: none"> <li>– 4.4 Cu. Ft. Drum Capacity*</li> <li>– 15 Wash Cycles and 8 Options</li> </ul> <p><b>Efficiency</b></p> <ul style="list-style-type: none"> <li>– EcoSmart™ Technology Features an Intelligent Network of Sensors Making Bosch the Most Efficient Brand in America</li> <li>– EcoAction® Option Reduces Energy Usage by up to 20%</li> <li>– ActiveWater™ Turns 13 Gal. into 400 Gal. of Washing Power</li> </ul> <p><b>Performance</b></p> <ul style="list-style-type: none"> <li>– ActiveClean™ Engineering for Better Cleaning Performance</li> <li>– Stain Removal Option Targets the Widest Variety of Stains in Just One Cycle</li> <li>– XtraSanitary® Cycle Heats Wash Water up to 170° F</li> <li>– Up to 1,200 rpm Maximum Spin Speed</li> <li>– Comforter Cycle to Deep Clean Bulky Items Like Comforters</li> <li>– Quick Full Cycle Cleans Any Size Load in 45 Min. Every Time</li> <li>– Active Wear Cycle Designed to Clean Exercise &amp; Sport Clothes</li> <li>– Allergy Rinse Option Removes Any Trace of Detergent</li> <li>– BabyCare™ Cycle Cleans with Extra Water &amp; High Temperatures</li> <li>– Dark Color Cycle Cleans and Prevents Fading of Dark Fabrics</li> </ul> <p><b>Thoughtful Engineering</b></p> <ul style="list-style-type: none"> <li>– AquaStop® Leak Protection System Prevents Major Water Damage</li> <li>– AVS® Anti-Vibration System for Near Silent Operation</li> </ul>	<p><b>Appearance</b></p> <ul style="list-style-type: none"> <li>– 4.4 Cu. Ft. Drum Capacity*</li> <li>– 15 Wash Cycles and 5 Options</li> </ul> <p><b>Efficiency</b></p> <ul style="list-style-type: none"> <li>– EcoSmart™ Technology Features an Intelligent Network of Sensors Making Bosch the Most Efficient Brand in America</li> <li>– EcoAction® Option Reduces Energy Usage by up to 20%</li> <li>– ActiveWater™ Turns 13 Gal. into 400 Gal. of Washing Power</li> </ul> <p><b>Performance</b></p> <ul style="list-style-type: none"> <li>– ActiveClean™ Engineering for Better Cleaning Performance</li> <li>– Stain Removal Option Targets the Widest Variety of Stains in Just One Cycle</li> <li>– XtraSanitary® Cycle Heats Wash Water up to 170° F</li> <li>– Up to 1,150 rpm Maximum Spin Speed</li> <li>– Comforter Cycle to Deep Clean Bulky Items Like Comforters</li> <li>– Jeans Cycle Cleans Denim While Reducing Fading and Wrinkling</li> <li>– Quick Full Cycle Cleans Any Size Load in 45 Min. Every Time</li> <li>– Quick Light Cycle for Small Light Soil Loads in Only 20 Min.</li> <li>– Allergy Rinse Option Removes Any Trace of Detergent</li> <li>– BabyCare™ Cycle Cleans with Extra Water &amp; High Temperatures</li> </ul> <p><b>Thoughtful Engineering</b></p> <ul style="list-style-type: none"> <li>– AquaStop® Leak Protection System Prevents Major Water Damage</li> <li>– AVS® Anti-Vibration System for Near Silent Operation</li> </ul>	<p><b>Appearance</b></p> <ul style="list-style-type: none"> <li>– 4.4 Cu. Ft. Drum Capacity*</li> <li>– 15 Wash Cycles and 5 Options</li> </ul> <p><b>Efficiency</b></p> <ul style="list-style-type: none"> <li>– EcoSmart™ Technology Features an Intelligent Network of Sensors Making Bosch the Most Efficient Brand in America</li> <li>– EcoAction® Option Reduces Energy Usage by up to 20%</li> <li>– ActiveWater™ Turns 13 Gal. into 400 Gal. of Washing Power</li> </ul> <p><b>Performance</b></p> <ul style="list-style-type: none"> <li>– ActiveClean™ engineering for better cleaning performance</li> <li>– Stain Removal Option Targets the Widest Variety of Stains in Just One Cycle</li> <li>– XtraSanitary® Cycle Heats Wash Water up to 170° F</li> <li>– Up to 1,200 rpm Maximum Spin Speed</li> <li>– Drum Sanitize Cycle Heats Water to 175° F to Clean the Drum</li> <li>– Comforter Cycle to Deep Clean Bulky Items Like Comforters</li> <li>– Quick Full Cycle Cleans Any Size Load in 45 Min. Every Time</li> <li>– Quick Light Cycle for Small Light Soil Loads in Only 20 Min.</li> <li>– Allergy Rinse Option Removes Any Trace of Detergent</li> <li>– BabyCare™ Cycle Cleans with Extra Water &amp; High Temperatures</li> <li>– Cold Intensive Cycle Cleans Aggressively with Cold Water</li> </ul> <p><b>Thoughtful Engineering</b></p> <ul style="list-style-type: none"> <li>– AquaShield™ Leak Sensor Prevents Major Water Damage</li> <li>– AVS® Anti-Vibration System for Near Silent Operation</li> </ul>
<b>Accessories</b>	<ul style="list-style-type: none"> <li>– WTZ1601 Stacking Kit</li> <li>– WTZ1600 Stacking Kit with White Pull-out Tray</li> <li>– WTZ1610 15" White Pedestal</li> <li>– WTZ1275 Mobile Home Kit</li> </ul>	<ul style="list-style-type: none"> <li>– WTZ1601 Stacking Kit</li> <li>– WTZ1600 Stacking Kit with White Pull-out Tray</li> <li>– WTZ1610 15" White Pedestal</li> <li>– WTZ1275 Mobile Home Kit</li> </ul>	<ul style="list-style-type: none"> <li>– WTZ1601 Stacking Kit</li> <li>– WTZ1600 Stacking Kit with White Pull-out Tray</li> <li>– WTZ1610 15" White Pedestal</li> <li>– WTZ1275 Mobile Home Kit</li> </ul>

\*Capacity based on IEC method of measurement.





500 Series	300 Series
<ul style="list-style-type: none"> <li>– WFVC5400UC White</li> <li>– WFVC540SUC Silver</li> </ul>	<ul style="list-style-type: none"> <li>– WFVC3300UC White</li> </ul>
	
<p><b>Appearance</b></p> <ul style="list-style-type: none"> <li>– 4.4 Cu. Ft. Drum Capacity*</li> <li>– 15 Wash Cycles and 5 Options</li> </ul> <p><b>Efficiency</b></p> <ul style="list-style-type: none"> <li>– EcoSmart™ Technology Features an Intelligent Network of Sensors Making Bosch the Most Efficient Brand in America</li> <li>– EcoAction® Option Reduces Energy Usage by up to 20%</li> <li>– ActiveWater™ Turns 13 Gal. into 400 Gal. of Washing Power</li> </ul> <p><b>Performance</b></p> <ul style="list-style-type: none"> <li>– ActiveClean™ Engineering for Better Cleaning Performance</li> <li>– Stain Removal Option Targets the Widest Variety of Stains in Just One Cycle</li> <li>– XtraSanitary® Cycle Heats Wash Water up to 170° F</li> <li>– Up to 1,150 rpm Maximum Spin Speed</li> <li>– Comforter Cycle to Deep Clean Bulky Items Like Comforters</li> <li>– Jeans Cycle Cleans Denim While Reducing Fading and Wrinkling</li> <li>– Quick Full Cycle Cleans Any Size Load in 45 Min. Every Time</li> <li>– Quick Light Cycle for Small Light Soil Loads in Only 20 Min.</li> <li>– Allergy Rinse Option Removes Any Trace of Detergent</li> <li>– BabyCare™ Cycle Cleans with Extra Water &amp; High Temperatures</li> </ul> <p><b>Thoughtful Engineering</b></p> <ul style="list-style-type: none"> <li>– AVS® Anti-Vibration System for Near Silent Operation</li> </ul>	<p><b>Appearance</b></p> <ul style="list-style-type: none"> <li>– 4.4 Cu. Ft. Drum Capacity*</li> <li>– 11 Wash Cycles and 3 Options</li> </ul> <p><b>Efficiency</b></p> <ul style="list-style-type: none"> <li>– EcoSmart™ Technology Features an Intelligent Network of Sensors Making Bosch the Most Efficient Brand in America</li> <li>– EcoAction® Option Reduces Energy Usage by up to 20%</li> <li>– ActiveWater™ Turns 13 Gal. into 400 Gal. of Washing Power</li> </ul> <p><b>Performance</b></p> <ul style="list-style-type: none"> <li>– ActiveClean™ Engineering for Better Cleaning Performance</li> <li>– XtraSanitary® Cycle Heats Wash Water up to 170° F</li> <li>– Up to 1,100 rpm Maximum Spin Speed</li> <li>– Quick Full Cycle Cleans Any Size Load in 45 Min. Every Time</li> <li>– Allergy Rinse Option Removes Any Trace of Detergent</li> <li>– Delicate Cycle Gently Washes Hand Wash &amp; Special-care Items</li> <li>– Drain/Spin Cycle Drains and Spins Moisture Out of Clothes</li> </ul> <p><b>Thoughtful Engineering</b></p> <ul style="list-style-type: none"> <li>– AVS® Anti-Vibration System for Near Silent Operation</li> </ul>
<ul style="list-style-type: none"> <li>– WTZ1601 Stacking Kit</li> <li>– WTZ1600 Stacking Kit with White Pull-out Tray</li> <li>– WTZ1600S Stacking Kit with Silver Pull-out Tray</li> <li>– WTZ1610 15" White Pedestal</li> <li>– WTZ1610S 15" Silver Pedestal</li> <li>– WTZ1275 Mobile Home Kit</li> </ul>	<ul style="list-style-type: none"> <li>– WTZ1601 Stacking Kit</li> <li>– WTZ1600 Stacking Kit with White Pull-out Tray</li> <li>– WTZ1610 15" White Pedestal</li> <li>– WTZ1275 Mobile Home Kit</li> </ul>



# Vision™ Dryer Specifications



	800 Series	500 Series	500 Series
<b>Model Numbers</b>	<ul style="list-style-type: none"> <li>– WTVC8330US White (Electric)</li> <li>– WTVC8530UC White (Gas)</li> </ul>	<ul style="list-style-type: none"> <li>– WTVC5330US White (Electric)</li> <li>– WTVC5530UC White (Gas)</li> <li>– WTVC533SUS Silver (Electric)</li> <li>– WTVC553SUC Silver (Gas)</li> </ul>	<ul style="list-style-type: none"> <li>– WTVC6330US White (Electric)</li> <li>– WTVC6530UC White (Gas)</li> </ul>
	   	  	  
<b>Features</b>	<p><b>Appearance</b></p> <ul style="list-style-type: none"> <li>– 6.7 Cu. Ft. Drum Capacity*</li> <li>– 15 Drying Cycles and 5 Options</li> </ul> <p><b>Efficiency</b></p> <ul style="list-style-type: none"> <li>– EcoSmart™ Technology Features an Intelligent Network of Sensors</li> <li>– EcoAction® Option Reduces Energy Usage by up to 10%</li> <li>– Bosch is the 2009 ENERGY STAR® Partner of the Year</li> </ul> <p><b>Performance</b></p> <ul style="list-style-type: none"> <li>– DynamicAir™ Gently Dries Clothes Using Moderate Heat and High Air Volume</li> <li>– ActiveDry™ Engineering for Perfect Drying</li> <li>– Air Fluff / No Heat Drying Cycle</li> <li>– Wool Cycle for Gentle Drying of Delicates</li> <li>– Steam Refresh Relaxes Wrinkles and Removes Odors in 16 Minutes</li> <li>– Steam Wrinkle Relax Cycle Relaxes Wrinkles in Only 12 Minutes</li> <li>– Steam Touch Up Refreshes a Full Load in Just 20 Minutes</li> <li>– Delicates Option Dries Items Usually Line Dried</li> <li>– SynchroTechnology® Synchronizes Dryer Cycle and Washer Spin</li> <li>– Active Wear Cycle Designed to Dry Exercise &amp; Sport Clothes</li> <li>– Dark Color Cycle Dries While Preventing Fading of Dark Fabrics</li> </ul> <p><b>Thoughtful Engineering</b></p> <ul style="list-style-type: none"> <li>– 3-way Venting for Easy Installation</li> <li>– Back, Right, Bottom</li> <li>– Extended WrinkleBlock up to 3 Hours</li> <li>– Tumbling Reduces Wrinkles</li> <li>– Includes Dryer Rack</li> <li>– Heat Sensors and Intelligent Controls Prevent Overheating</li> </ul>	<p><b>Appearance</b></p> <ul style="list-style-type: none"> <li>– 6.7 Cu. Ft. Drum Capacity*</li> <li>– 15 Drying Cycles and 3 Options</li> </ul> <p><b>Efficiency</b></p> <ul style="list-style-type: none"> <li>– EcoSmart™ Technology Features an Intelligent Network of Sensors</li> <li>– EcoAction® Option Reduces Energy Usage by up to 10%</li> <li>– Bosch is the 2009 ENERGY STAR® Partner of the Year</li> </ul> <p><b>Performance</b></p> <ul style="list-style-type: none"> <li>– DynamicAir™ Gently Dries Clothes Using Moderate Heat and High Air Volume</li> <li>– ActiveDry™ Engineering for Perfect Drying</li> <li>– Air Fluff / No Heat Drying Cycle</li> <li>– Jeans Cycle Dries Denim While Reducing Fading and Wrinkling</li> <li>– Steam Refresh Relaxes Wrinkles and Removes Odors in 16 Minutes</li> <li>– Steam Wrinkle Relax Cycle Relaxes Wrinkles in Only 12 Minutes</li> <li>– Steam Touch Up Refreshes a Full Load in Just 20 Minutes</li> <li>– Delicates Option Dries Items Usually Line Dried</li> </ul> <p><b>Thoughtful Engineering</b></p> <ul style="list-style-type: none"> <li>– 3-way Venting for Easy Installation</li> <li>– Back, Right, Bottom</li> <li>– Heat Sensors and Intelligent Controls Prevent Overheating</li> </ul>	<p><b>Appearance</b></p> <ul style="list-style-type: none"> <li>– 6.7 Cu. Ft. Drum Capacity*</li> <li>– 15 Drying Cycles and 3 Options</li> </ul> <p><b>Efficiency</b></p> <ul style="list-style-type: none"> <li>– EcoSmart™ Technology Features an Intelligent Network of Sensors</li> <li>– EcoAction® Option Reduces Energy Usage by up to 10%</li> <li>– Bosch is the 2009 ENERGY STAR® Partner of the Year</li> </ul> <p><b>Performance</b></p> <ul style="list-style-type: none"> <li>– DynamicAir™ Gently Dries Clothes Using Moderate Heat and High Air Volume</li> <li>– ActiveDry™ Engineering for Perfect Drying</li> <li>– Air Fluff / No Heat Drying Cycle</li> <li>– Jeans Cycle Dries Denim While Reducing Fading and Wrinkling</li> <li>– Steam Refresh Relaxes Wrinkles and Removes Odors in 16 Minutes</li> <li>– Steam Wrinkle Relax Cycle Relaxes Wrinkles in Only 12 Minutes</li> <li>– Steam Touch Up Refreshes a Full Load in Just 20 Minutes</li> <li>– Delicates Option Dries Items Usually Line Dried</li> </ul> <p><b>Thoughtful Engineering</b></p> <ul style="list-style-type: none"> <li>– 3-way Venting for Easy Installation</li> <li>– Back, Right, Bottom</li> <li>– Includes Dryer Rack</li> <li>– Heat Sensors and Intelligent Controls Prevent Overheating</li> </ul>
<b>Accessories</b>	<ul style="list-style-type: none"> <li>– WTZ1601 Stacking Kit</li> <li>– WTZ1600 Stacking Kit with White Pull-out Tray</li> <li>– WTZ1610 15" White Pedestal</li> <li>– WTZ1270 Bottom Exhaust Kit</li> <li>– WTZ1275 Mobile Home Kit</li> </ul>	<ul style="list-style-type: none"> <li>– WTZ1601 Stacking Kit</li> <li>– WTZ1600 Stacking Kit with White Pull-out Tray</li> <li>– WTZ1600S Stacking Kit with Silver Pull-out Tray</li> <li>– WTZ1610 15" White Pedestal</li> <li>– WTZ1610S 15" Silver Pedestal</li> <li>– WTZ1275 Mobile Home Kit</li> </ul>	<ul style="list-style-type: none"> <li>– WTZ1601 Stacking Kit</li> <li>– WTZ1600 Stacking Kit with White Pull-out Tray</li> <li>– WTZ1610 15" White Pedestal</li> <li>– WTZ1270 Bottom Exhaust Kit</li> <li>– WTZ1275 Mobile Home Kit</li> </ul>

\*Capacity based on IEC method of measurement.



## Colors



**White**  
(WTVC5330US Model Shown)



**Silver**  
(WTVC533SUS Model Shown)

### 300 Series

- WTVC3300US White (Electric)
- WTVC3300UC White (Gas)



#### Appearance

- 6.7 Cu. Ft. Drum Capacity\*
- 11 Drying Cycles and 3 Options

#### Efficiency

- EcoSmart™ Technology Features an Intelligent Network of Sensors
- EcoAction® Option Reduces Energy Usage by up to 10%
- Bosch is the 2009 ENERGY STAR® Partner of the Year

#### Performance

- DynamicAir™ Gently Dries Clothes Using Moderate Heat and High Air Volume
- ActiveDry™ Engineering for Perfect Drying
- Air Fluff / No Heat Drying Cycle
- Delicates Option Dries Items Usually Line Dried







#### Thoughtful Engineering

- 3-way Venting for Easy Installation
  - Back, Right, Bottom
- Heat Sensors and Intelligent Controls Prevent Overheating

- WTZ1601 Stacking Kit
- WTZ1600 Stacking Kit with White Pull-out Tray
- WTZ1610 15" White Pedestal
- WTZ1270 Bottom Exhaust Kit
- WTZ1275 Mobile Home Kit

# Axxis® Washer Specifications








Model Numbers	– WAS24460UC White	– WAS20160UC White	– WFL2090UC White
	 	 	 
<b>Features</b>	<p><b>Appearance</b></p> <ul style="list-style-type: none"> <li>– 3.4 Cu. Ft. Drum Capacity*</li> <li>– 15 Wash Cycles and 7 Options</li> <li>– Stainless Steel Structured Drum</li> </ul> <p><b>Efficiency</b></p> <ul style="list-style-type: none"> <li>– Exceeds ENERGY STAR® 2011 Guidelines</li> <li>– Uses only 130 kWh/yr</li> <li>– Bosch Washers Exceed Federal Energy Standards by up to 76%</li> <li>– Up to 1,200 Rpm Maximum Spin Speed</li> <li>– Advanced SensoTronic® II Plus Analyzes Washer for Appropriate Level and Temperature of Water</li> <li>– Internal Water Heater Heats Water Quickly and Efficiently</li> </ul> <p><b>Quietness</b></p> <ul style="list-style-type: none"> <li>– Virtually Silent: 56 dBA</li> </ul> <p><b>Gentle Care</b></p> <ul style="list-style-type: none"> <li>– Unique Raindrop Drum Pattern that Resists Snags for Powerful Cleaning</li> <li>– Sanitary Cycle Heats Wash Water Up to 161° F to Kill Bacteria</li> <li>– KidsCare™ Cycle Heats the Wash Water Up to 140° F to Remove Toughest Stains</li> <li>– Refresh Cycle Refreshes Loads Up to 4 lbs</li> <li>– Sport Wear Cycle</li> <li>– Dark Color Cycle Prevents Fading</li> <li>– Silk/Satin Cycle for Sensitive Fabrics</li> <li>– Wool / Handwash Cycle</li> <li>– Quick Wash Cycle for Small Light Soil Loads</li> <li>– Heavy Duty Option Targets the Toughest Stains with Just a Touch of a Button</li> <li>– Reduced Ironing Option Extended Fluffing</li> <li>– Rinse Plus Option Improves Rinsing</li> </ul> <p><b>Convenience</b></p> <ul style="list-style-type: none"> <li>– LED Display –Easy to Read</li> <li>– Stackable –Space Saving /Easy Installation</li> <li>– Touch Control Technology –Easily Activate Each Cycle With Just The Touch of a Button</li> <li>– Pull-out Tray** for Use as a Laundry Basket or Folding Table</li> </ul>	<p><b>Appearance</b></p> <ul style="list-style-type: none"> <li>– 3.4 Cu. Ft. Drum Capacity*</li> <li>– 15 Wash Cycles and 5 Options</li> <li>– Stainless Steel Structured Drum</li> </ul> <p><b>Efficiency</b></p> <ul style="list-style-type: none"> <li>– Exceeds ENERGY STAR® 2011 Guidelines</li> <li>– Uses only 125 kWh/yr</li> <li>– Bosch Washers Exceed Federal Energy Standards by up to 70%</li> <li>– Up to 1,000 Rpm Maximum Spin Speed</li> <li>– Advanced SensoTronic® II Plus Analyzes Washer for Appropriate Level and Temperature of Water</li> <li>– Internal Water Heater Heats Water Quickly and Efficiently</li> </ul> <p><b>Quietness</b></p> <ul style="list-style-type: none"> <li>– Virtually Silent: 56 dBA</li> </ul> <p><b>Gentle Care</b></p> <ul style="list-style-type: none"> <li>– Unique Raindrop Drum Pattern that Resists Snags for Powerful Cleaning</li> <li>– Sanitary Cycle Heats Wash Water Up to 161° F to Kill Bacteria</li> <li>– KidsCare™ Cycle Heats the Wash Water Up to 140° F to Remove Toughest Stains</li> <li>– Refresh Cycle Refreshes Loads Up to 4 lbs</li> <li>– Wool / Handwash Cycle</li> <li>– Heavy Duty Option Targets the Toughest Stains with Just a Touch of a Button</li> <li>– Reduced Ironing Option Extended Fluffing</li> <li>– Rinse Plus Option Improves Rinsing</li> </ul> <p><b>Convenience</b></p> <ul style="list-style-type: none"> <li>– Stackable –Space Saving /Easy Installation</li> <li>– Touch Control Technology –Easily Activate Each Cycle With Just The Touch of a Button</li> <li>– Pull-out Tray** for Use as a Laundry Basket or Folding Table</li> </ul>	<p><b>Appearance</b></p> <ul style="list-style-type: none"> <li>– 2.1 Cu. Ft. Drum Capacity*</li> <li>– 15 Wash Cycles and 4 Options</li> <li>– Stainless Steel Drum</li> </ul> <p><b>Efficiency</b></p> <ul style="list-style-type: none"> <li>– Exceeds ENERGY STAR® 2011 Guidelines</li> <li>– Uses only 121 kWh/yr</li> <li>– Bosch Washers Exceed Federal Energy Standards by up to 61%</li> <li>– Up to 1,000 Rpm Maximum Spin Speed</li> <li>– Advanced SensoTronic® II Plus Analyzes Washer for Appropriate Level and Temperature of Water</li> <li>– Internal Water Heater Heats Water Quickly and Efficiently</li> </ul> <p><b>Quietness</b></p> <ul style="list-style-type: none"> <li>– Virtually Silent: 56 dBA</li> </ul> <p><b>Gentle Care</b></p> <ul style="list-style-type: none"> <li>– High Quality, Snag Free Stainless Steel Drum</li> <li>– Power Temp. Boost Cycle Heats Wash Water Up to 161° F to Kill Bacteria</li> <li>– Temp. Boost Cycle Heats the Wash Water Up to 140° F to Remove Toughest Stains</li> <li>– Refresh Cycle Refreshes Up to 4 lbs of Lightly Soiled Laundry</li> <li>– Wool / Handwash Cycle</li> <li>– Rinse Plus Option Improves Rinsing</li> </ul> <p><b>Convenience</b></p> <ul style="list-style-type: none"> <li>– Stackable –Space Saving /Easy Installation</li> </ul>
<b>Accessories</b>	<ul style="list-style-type: none"> <li>– WTZ11300UC Stacking Kit</li> <li>– WTZ11310UC Stacking Kit with Pull-out Tray</li> </ul>	<ul style="list-style-type: none"> <li>– WTZ11300UC Stacking Kit</li> <li>– WTZ11310UC Stacking Kit with Pull-out Tray</li> </ul>	<ul style="list-style-type: none"> <li>– WTZ11300UC Stacking Kit</li> <li>– WTZ11310UC Stacking Kit with Pull-out Tray</li> </ul>

\* Capacity is based on IEC method of measurement. \*\*Accessories Purchased Separately.



# Axxis® Dryer Specifications



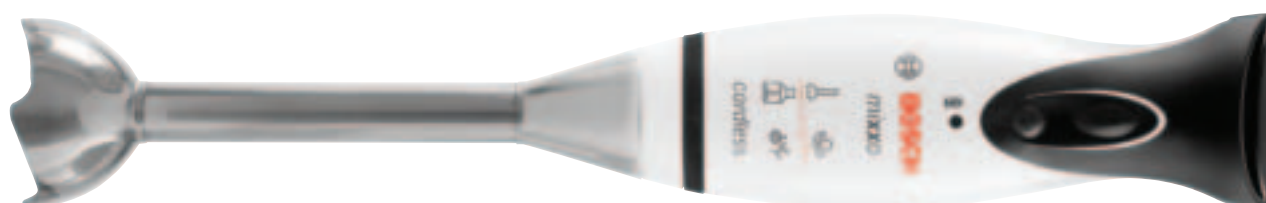
	<p><b>Model Numbers</b></p> <p>– WTE86300US White (Condensation)</p>	<p>– WTV76100US White (Vented)</p>
	  	 
<p><b>Features</b></p>	<p><b>Appearance</b></p> <ul style="list-style-type: none"> <li>– 3.9 Cu. Ft. Drum Capacity*</li> <li>– 11 Drying Cycles and 1 Drying Option</li> <li>– Stainless Steel Structured Drum</li> <li>– See-thru Door</li> </ul> <p><b>Efficiency</b></p> <ul style="list-style-type: none"> <li>– Electronic Moisture Sensor Monitors the Drying Process to Prevent Wasting Energy and Overdrying</li> </ul> <p><b>Quietness</b></p> <ul style="list-style-type: none"> <li>– Virtually Silent: 67 dBA</li> </ul> <p><b>Gentle Care</b></p> <ul style="list-style-type: none"> <li>– High Quality, One Piece Snag Free Stainless Steel Drum</li> <li>– Unique Structured Drum Pattern Creates an Air Cushion to Protect Your Clothes</li> <li>– 118 CFM Gently Dries Clothes Using Moderate Heat and High Air Volume</li> <li>– Heat Sensors and Intelligent Controls Prevent Overheating</li> <li>– Touch Up Cycle Reduces Drying Time for Lighter Loads</li> <li>– Wool Cycle to Gently Dry Delicates</li> <li>– Delicates / Low Heat Option Reduces Heat on Specified Program</li> <li>– Easy Ironing Option Prepares Clothes to be Ironed</li> <li>– Extended WrinkleBlock Up to 120 Min. Tumbling Reduces Wrinkles</li> </ul> <p><b>Convenience</b></p> <ul style="list-style-type: none"> <li>– Condensation Dryer –Requiring No Ducting and No Blower –Easy and Cost-Effective Installation</li> <li>– LED Display –Easy to Read</li> <li>– Stackable –Space Saving /Easy Installation</li> <li>– Touch Control Technology Easily Activate Each Cycle With Just The Touch of a Button</li> <li>– Pull-out Tray** for Use as a Laundry Basket or Folding Table</li> </ul>	<p><b>Appearance</b></p> <ul style="list-style-type: none"> <li>– 3.9 Cu. Ft. Drum Capacity*</li> <li>– 9 Drying Cycles and 1 Drying Option</li> <li>– Stainless Steel Structured Drum</li> <li>– See-thru Door</li> </ul> <p><b>Efficiency</b></p> <ul style="list-style-type: none"> <li>– Electronic Moisture Sensor Monitors the Drying Process to Prevent Wasting Energy and Overdrying</li> </ul> <p><b>Quietness</b></p> <ul style="list-style-type: none"> <li>– Virtually Silent: 67 dBA</li> </ul> <p><b>Gentle Care</b></p> <ul style="list-style-type: none"> <li>– High Quality, One Piece Snag Free Stainless Steel Drum</li> <li>– Unique Structured Drum Pattern Creates an Air Cushion to Protect Your Clothes</li> <li>– 110 CFM Gently Dries Clothes Using Moderate Heat and High Air Volume</li> <li>– Heat Sensors and Intelligent Controls Prevent Overheating</li> <li>– Touch Up Cycle Reduces Drying Time for Lighter Loads</li> <li>– Delicates / Low Heat Option Reduces Heat on Specified Program</li> <li>– Extended WrinkleBlock Up to 120 Min. Tumbling Reduces Wrinkles</li> </ul> <p><b>Convenience</b></p> <ul style="list-style-type: none"> <li>– Stackable –Space Saving /Easy Installation</li> <li>– Touch Control Technology Easily Activate Each Cycle With Just The Touch of a Button</li> <li>– Pull-out Tray** for Use as a Laundry Basket or Folding Table</li> </ul>
<p><b>Accessories</b></p>	<p>– WTZ11300UC Stacking Kit</p> <p>– WTZ11310UC Stacking Kit with Pull-out Tray</p>	<p>– WTZ11300UC Stacking Kit</p> <p>– WTZ11310UC Stacking Kit with Pull-out Tray</p>



**Take it from our engineers, there's inspiration in that first cup of coffee.** And if there's not, that's a call to design a better coffee maker. Which is exactly what we did with the Tassimo, the newest star in our line of small appliances. Coffee, espresso, cappuccinos and lattes made with real milk, crema, tea and hot chocolate. Take your pick. Push a button. And it brews one of 40+ choices from 12 brands. Each brewed from its own T DISC that automatically tells the Tassimo the optimal brew time, temperature and amount of water.

# Small Appliances

Coffee Machines | Kitchen Machines | Immersion Blenders



# Small Appliances Specifications

## Tassimo Single-serve Coffee Machines

①

### Ensures a Perfect Cup Every Time

Intelligent drink identification via bar code

②

### Fresh-Brewed Coffee, Espresso, Crema, Cappuccino, Latte, Hot Chocolate or Tea Right Away

Flow-through water heater technology with virtually no pre-heat time

③

### Suitable for Most Cups, (Travel) Mugs, & Glasses

Two-step height-adjustable and removable cup stand

④

### Easy to Grip, Transport and Fill

Removable XL water tank (67 ounces)

⑤

### Smart Storage Solutions

Integrated storage compartment for Service T DISC and power cord

⑥

### Variable Drink Strength

Fully automatic cycle can be interrupted at any time to adjust drink strength

⑦

### Easy to Use

Fully automatic one-button operation with integrated-LED user interface

⑧

### Easy to Clean

Automatic cleaning and de-scaling program

⑨

### Low Energy Consumption

Automatically reverts to stand-by mode after every brew cycle



Coffee



Cappuccino and Latte



Espresso



Crema



Tea



Hot Chocolate



T65 Titanium TAS6515UC



T45 Silver TAS4511UC



T45 Metallic Red TAS4513UC



T10 Anthracite TAS1000UC



### Benvenuto® Gourmet Coffee Machines

With just the push of a button, the fully automatic Benvenuto® grinds the beans while the revolutionary AromaSwirl® system extracts the maximum flavor for espresso or coffee you've only tasted from professional baristas in Italian cafés.



B30 TCA6001UC



B20 TCA6301UC

### Universal Kitchen Machines

With long-term proven quality and performance, the Universal series mixers have been sold since the 1950's. The powerful 800 watt motor and large 6 1/2 quart mixing bowl can handle up to 15 lbs. of dough. A wide range of optional accessories address virtually every food preparation need you could imagine.



Universal Plus Kitchen Machine MUM6N11UC

Universal Kitchen Machine MUM6N10UC

### Mixxo® Cordless Immersion Blender

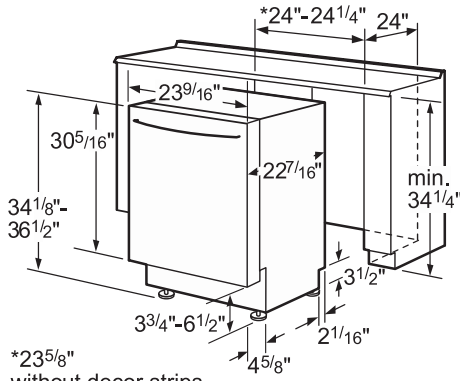
With its exclusive lithium-ion battery, the lightweight Bosch Mixxo® immersion blender is a convenient and easy-to-use addition to your kitchen. Perfect for use at home or on-the-go, its 10,500 rpm motor is powerful enough to crush ice, while the handy LED indicator lets you know how much charge is remaining.



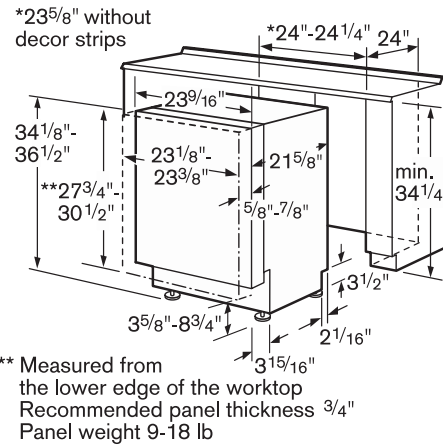
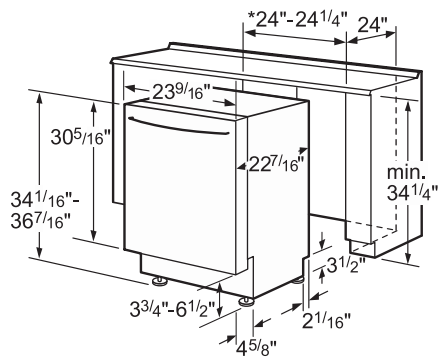
Mixxo Cordless Immersion Blender MSM6A60UC

# Dishwasher Dimensions and Installation

## Integra® Dishwashers

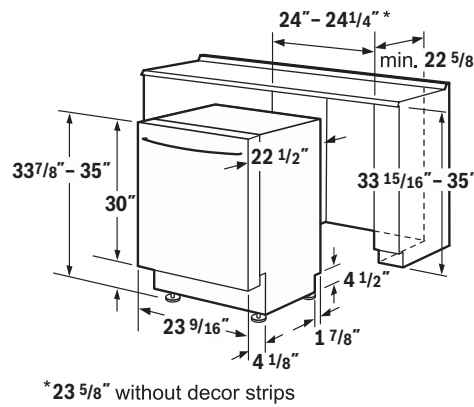


**SHX68E15UC**

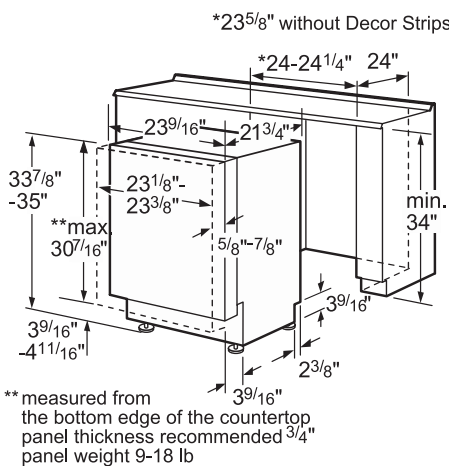


**SHV68E13UC**

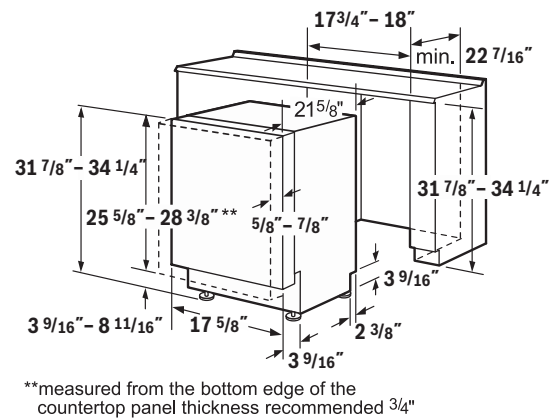
**SHX68E05UC**



**800, 500 and 300 Series SHX Models**



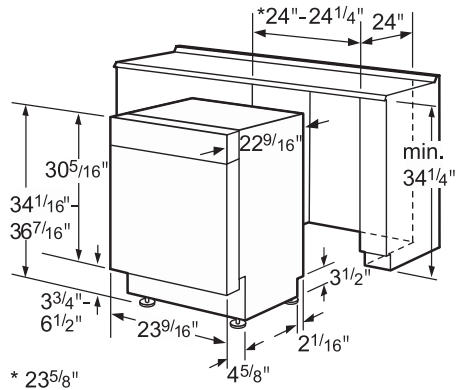
**800, 500 and 300 Series SHV Models**



**SRV53C03UC**

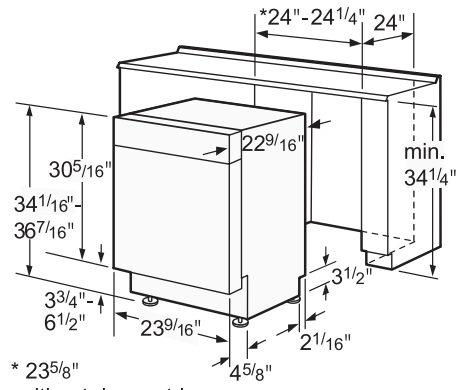
**Note:** Dimensions are for planning only. For details, see installation manual, or visit [www.bosch-home.com/us](http://www.bosch-home.com/us). Specifications subject to change without notice. For immediate installation dimensions by fax, call 1.925.284.3558. Use code #8317 for a directory of Bosch products. Also available online at [dexpress.com](http://dexpress.com).

**Evolution® Dishwashers**



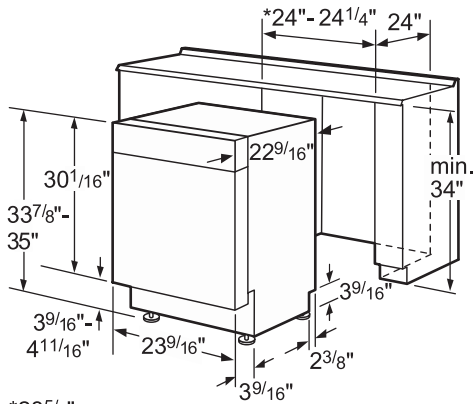
\* 23 5/8" without decor strips

**SHE68E15UC**



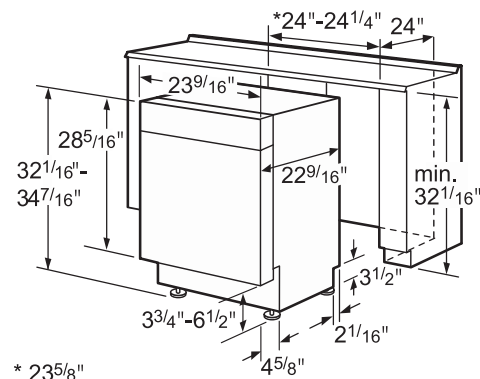
\* 23 5/8" without decor strips

**SHE68E05UC**



\* 23 5/8" without decor strips

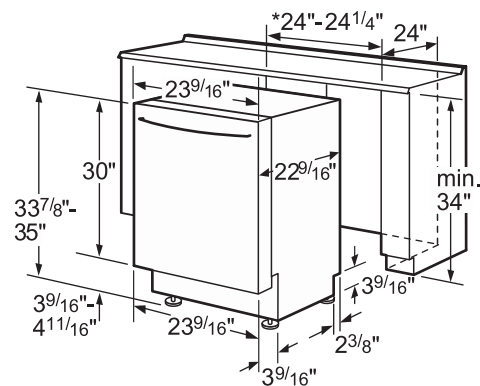
**800, 500 and 300 Series SHE Models**



\* 23 5/8" without decor strips

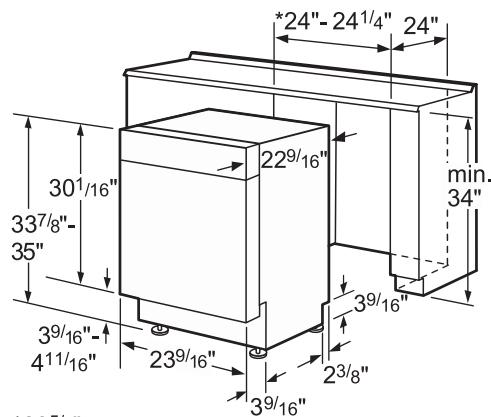
**SGE6830xUC**

**Ascenta® Dishwashers**



\* 23 5/8" without decor strips

**Ascenta - Integra Models**

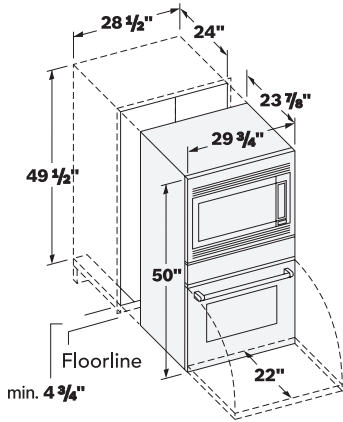


\* 23 5/8" without decor strips

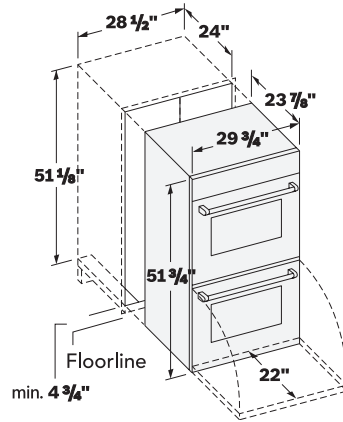
**Ascenta - Evolution Models**

# Oven, Microwave and Warming Drawer Dimensions and Installation

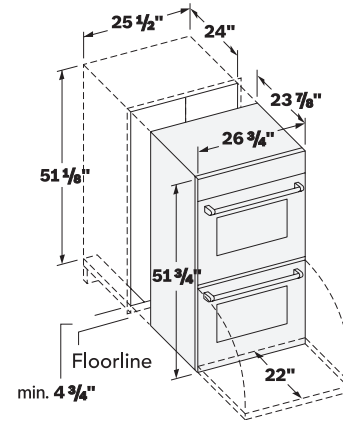
## Ovens



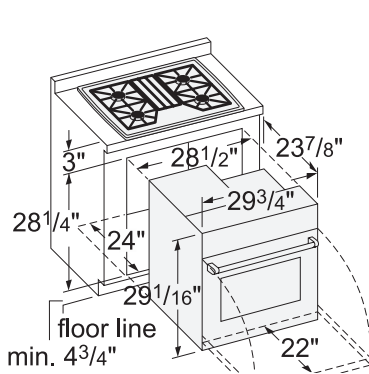
30" Combination Models



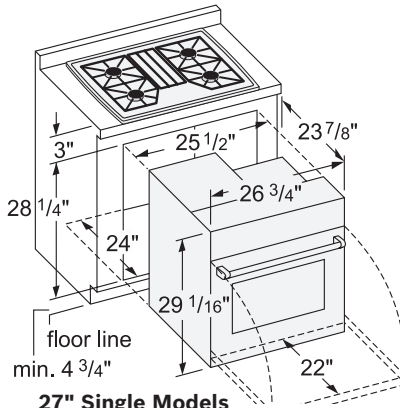
30" Double Models



27" Double Models

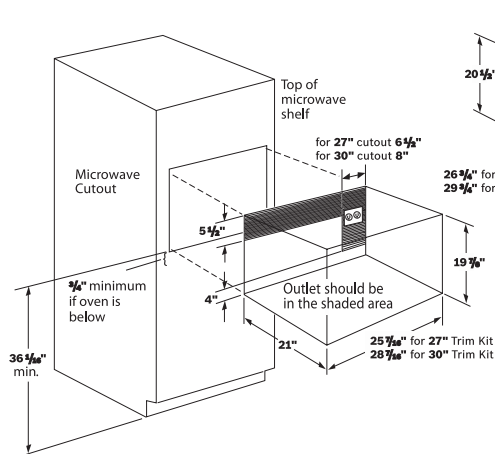


30" Single Models

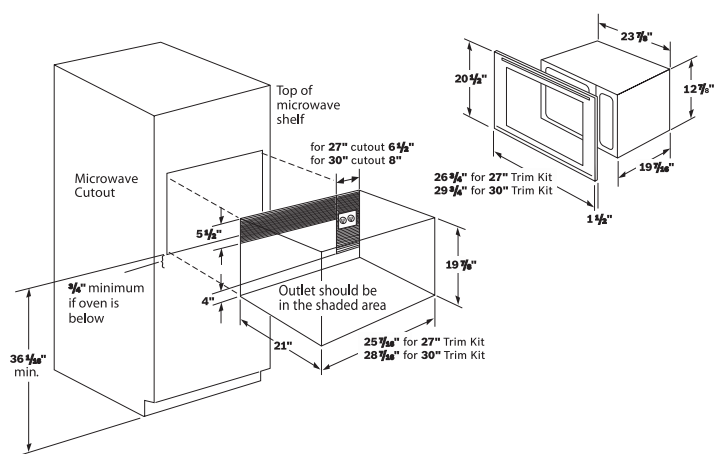


27" Single Models

## Microwaves



HMB80x0

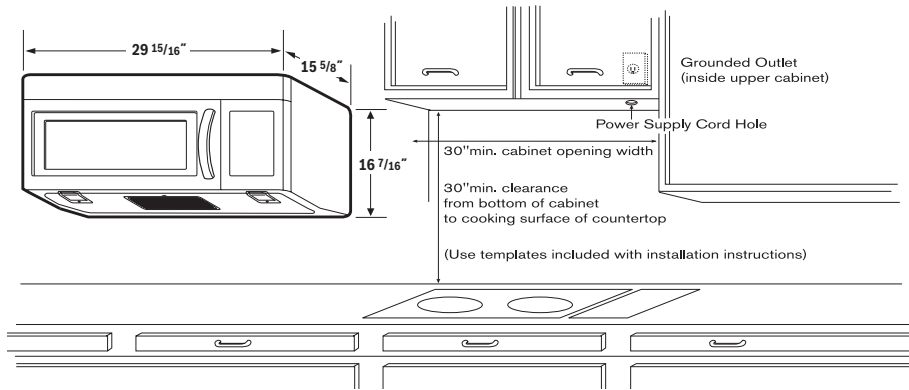


HMB50x0

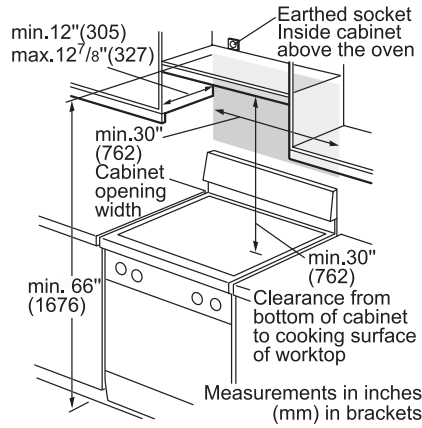
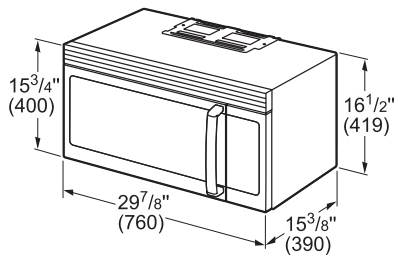
**Note:** Dimensions are for planning only. For details, see installation manual, or visit [www.bosch-home.com/us](http://www.bosch-home.com/us). Specifications subject to change without notice. For immediate installation dimensions by fax, call 1.925.284.3558. Use code #8317 for a directory of Bosch products. Also available online at [dexpress.com](http://dexpress.com).



**Microwaves**

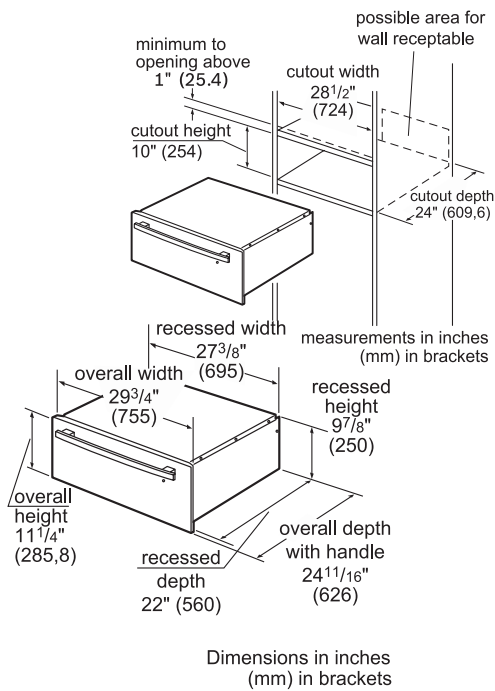


**HMV930x**

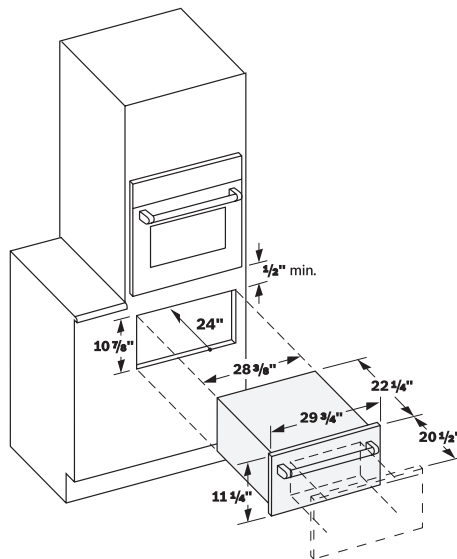


**HMV30x1U**

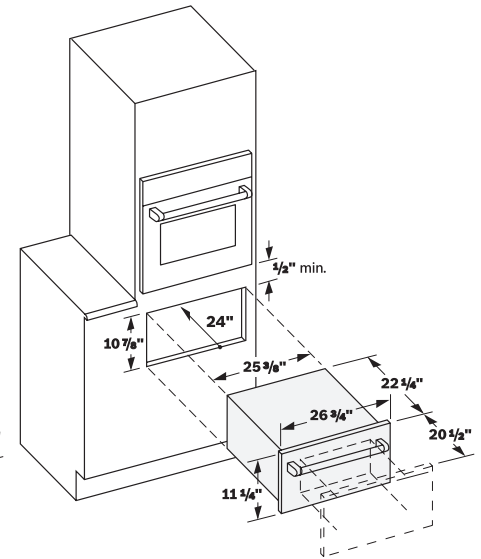
**Warming Drawers**



**HWC800500**



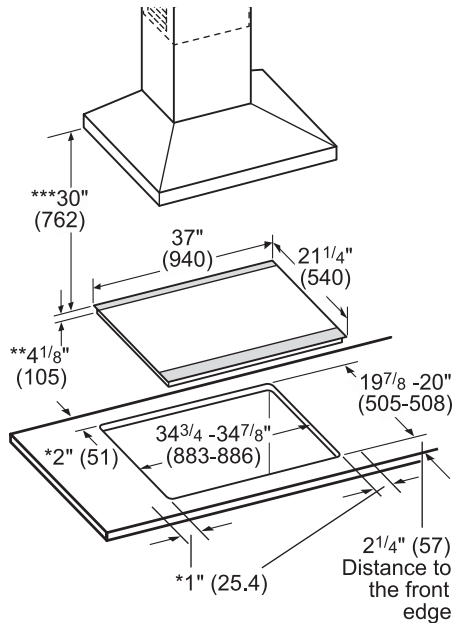
**HWD30x0UC**



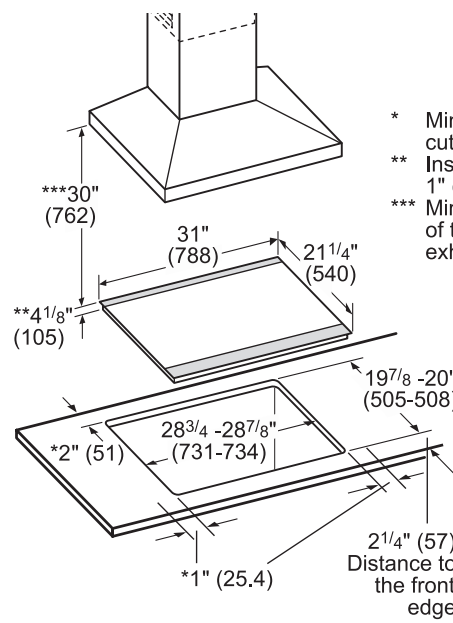
**HWD2750UC**

# Cooktop Dimensions and Installation

## Induction Cooktops



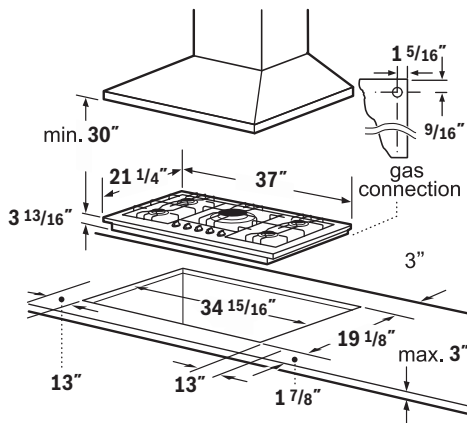
36" Models



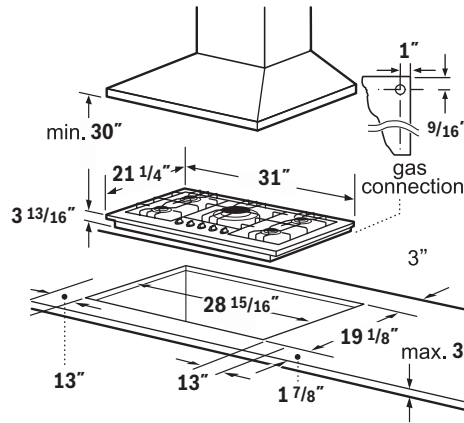
30" Models

- \* Minimum distance from the cooktop cutout to the wall
- \*\* Installed depth includes 1" (26 mm) of air clearance
- \*\*\* Minimum distance between surface of the cooktop and lower edge of the exhaust hood. Dimensions in inches (mm)

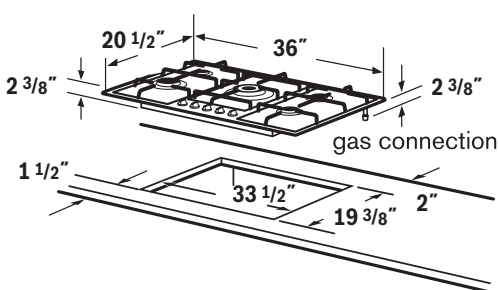
## Gas Cooktops



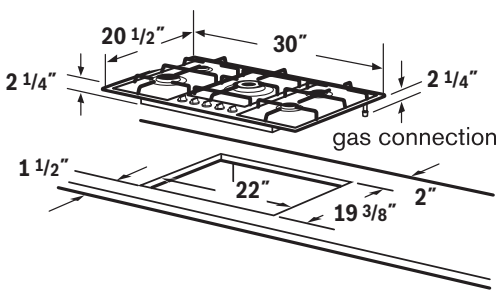
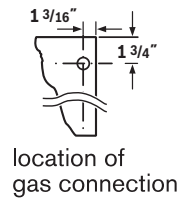
36" 800 and 500 Series Models



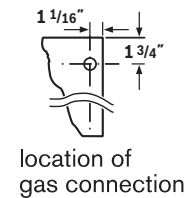
30" 800 and 500 Series Models



36" 300 Series Models

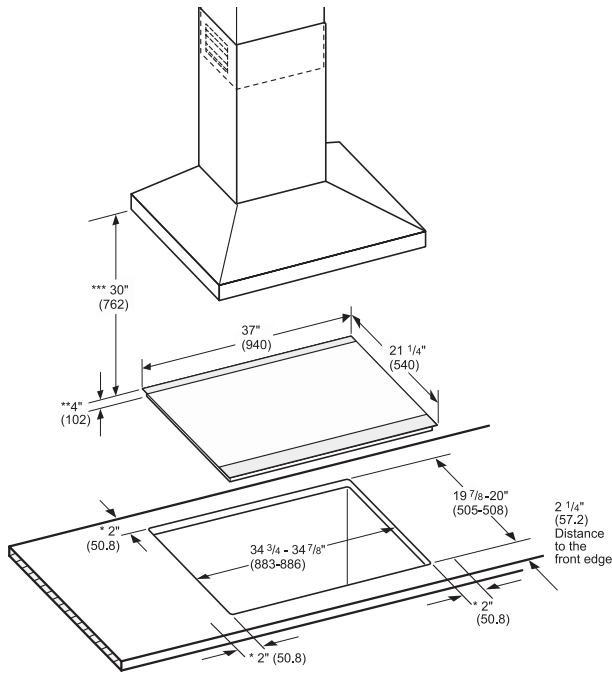


30" 300 Series Models

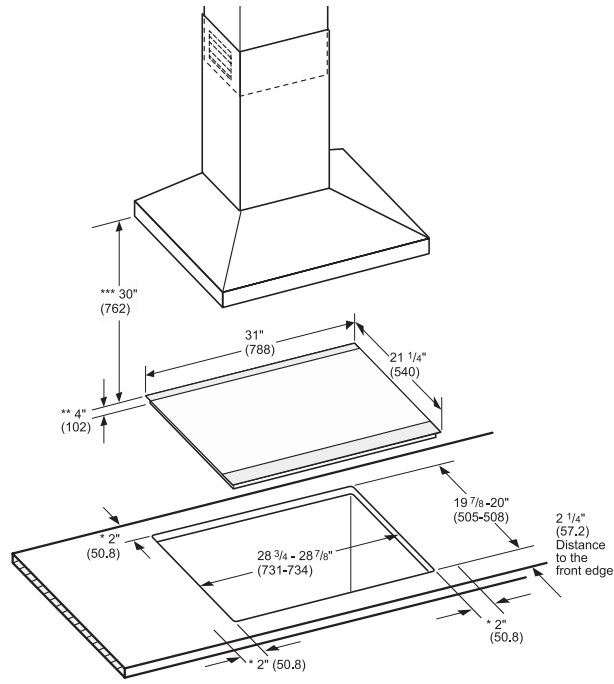


**Note:** Dimensions are for planning only. For details, see installation manual, or visit [www.bosch-home.com/us](http://www.bosch-home.com/us). Specifications subject to change without notice. For immediate installation dimensions by fax, call 1.925.284.3558. Use code #8317 for a directory of Bosch products. Also available online at [dexpress.com](http://dexpress.com).

**Electric Cooktops**



**36" Models**

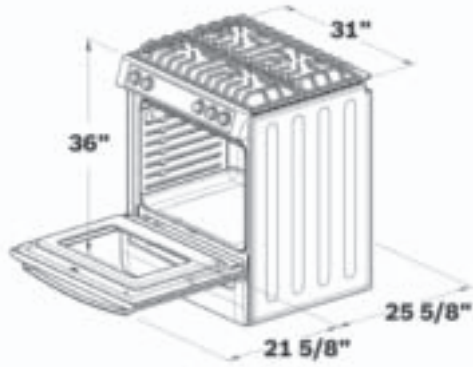


**30" Models**

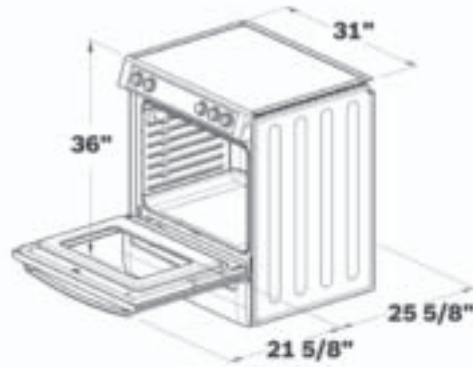
- \* Minimum distance from the cooktop cutout to the wall
- \*\* Maximum cut out depth
- \*\*\* Minimum distance between surface of the cooktop and lower edge of the exhaust hood. Dimensions in inches (mm)

# Range Dimensions and Installation

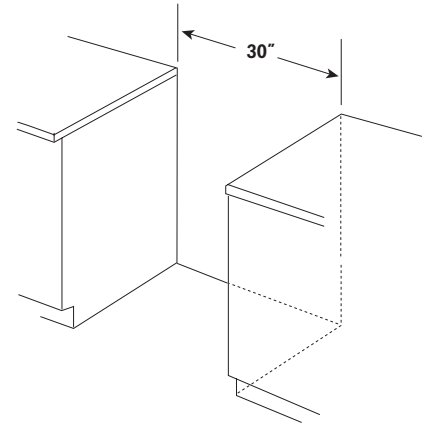
## Slide-in Ranges



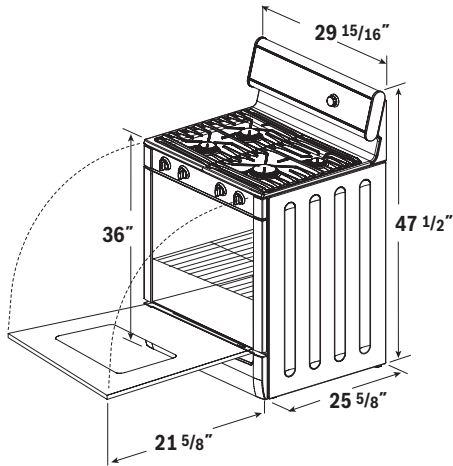
700 Series Dual-Fuel Models



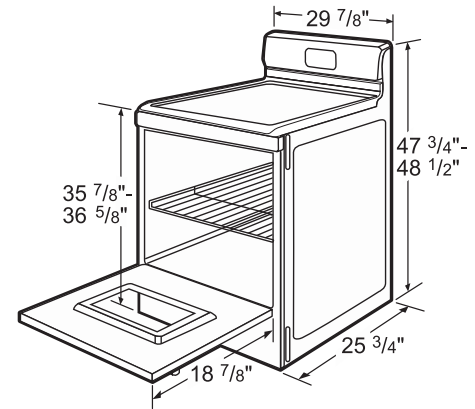
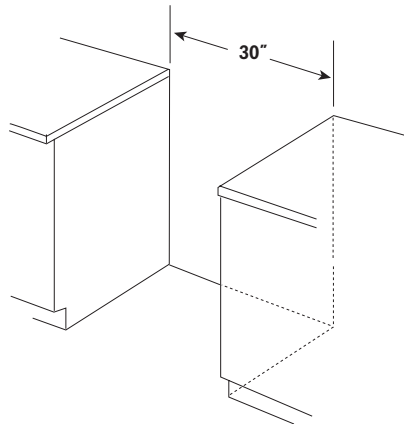
700 Series Electric Models



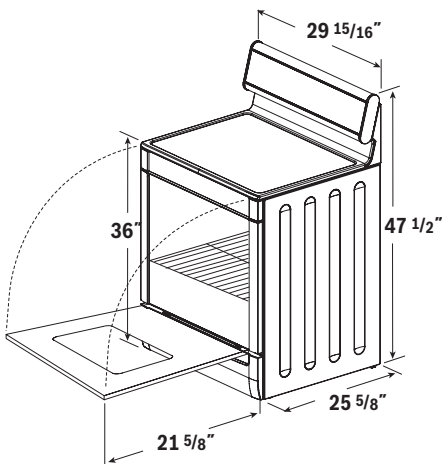
## Freestanding Ranges



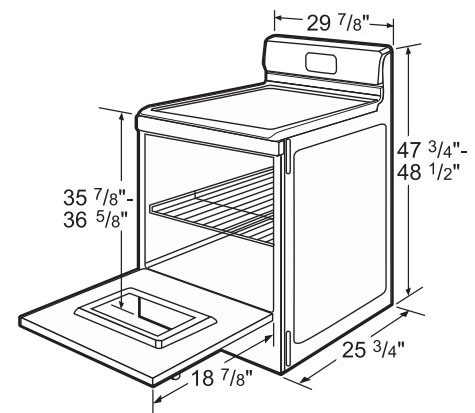
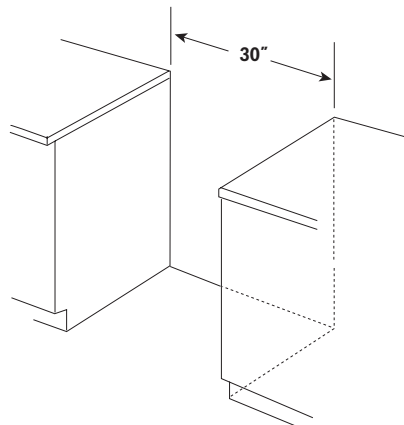
700 Series Gas/Dual-Fuel Models



500 and 300 Series Gas Models



700 Series Electric Models



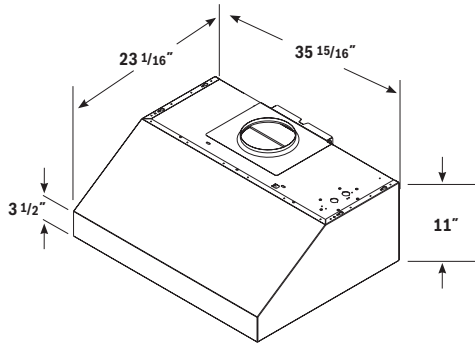
500 and 300 Series Electric Models

**Note:** Dimensions are for planning only. For details, see installation manual, or visit [www.bosch-home.com/us](http://www.bosch-home.com/us). Specifications subject to change without notice. For immediate installation dimensions by fax, call 1.925.284.3558. Use code #8317 for a directory of Bosch products. Also available online at [dexpress.com](http://dexpress.com).

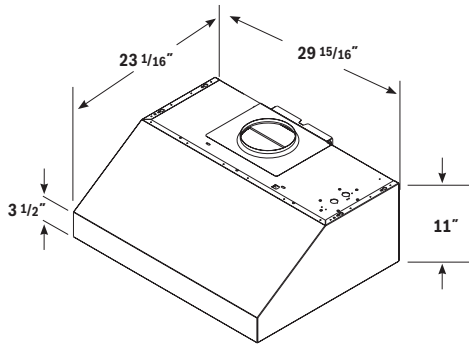


# Ventilation Dimensions and Installation

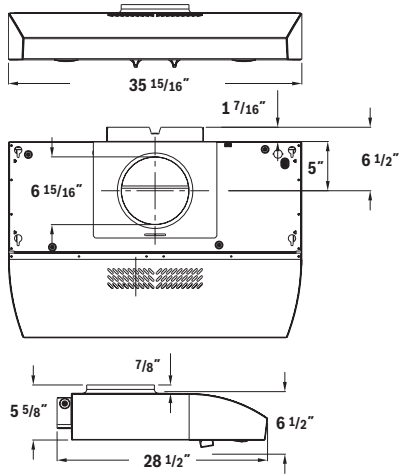
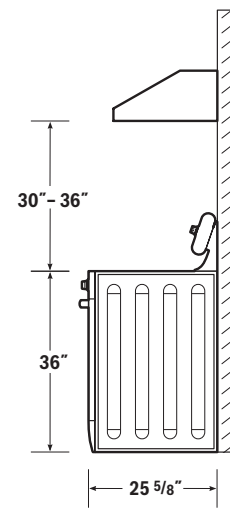
## Under-Cabinet Wall Hoods



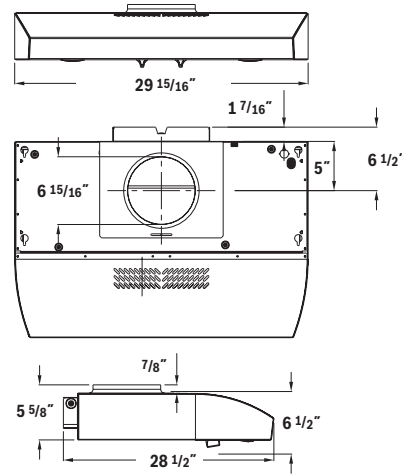
36" 800 Series Models



30" 800 Series Models

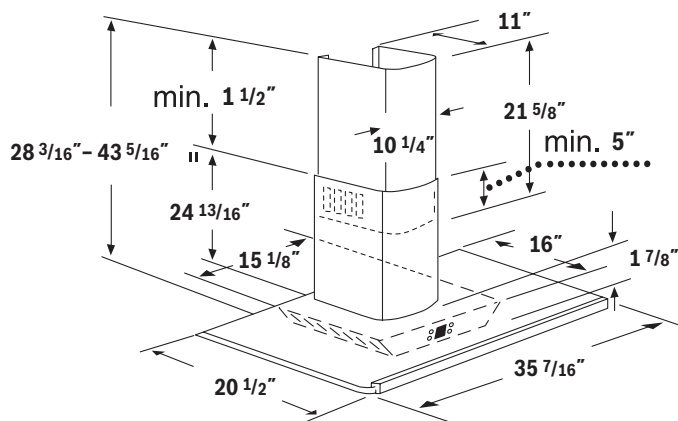


36" 500 and 300 Series Models

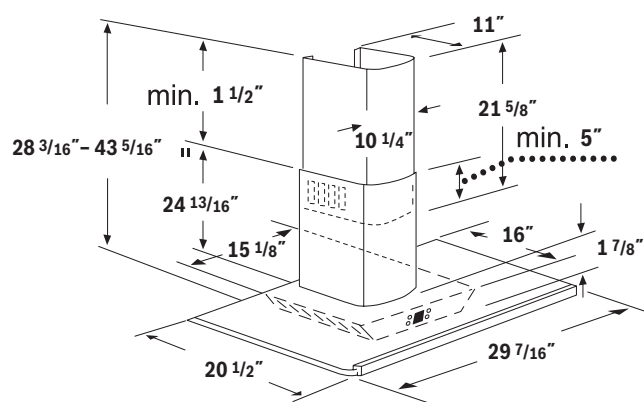


30" 500 and 300 Series Models

## Chimney Wall Hoods



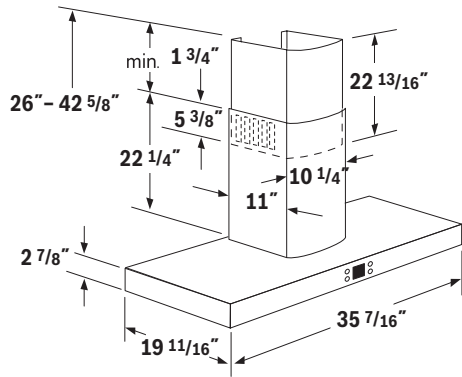
36" 800 Series Models



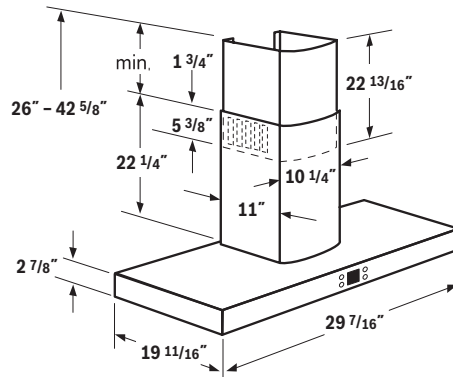
30" 800 Series Models

# Ventilation Dimensions and Installation

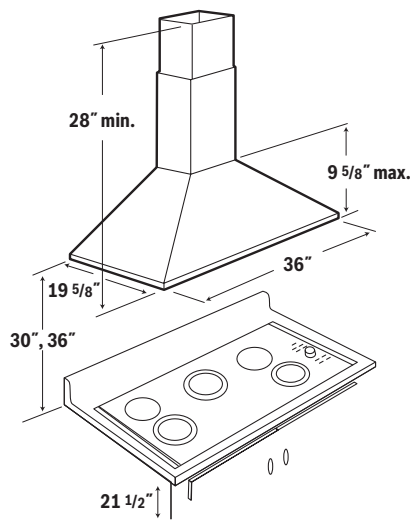
## Chimney Wall Hoods



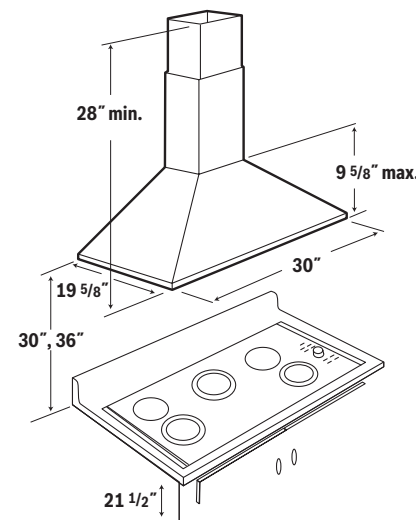
36" 500 Series Models



30" 500 Series Models

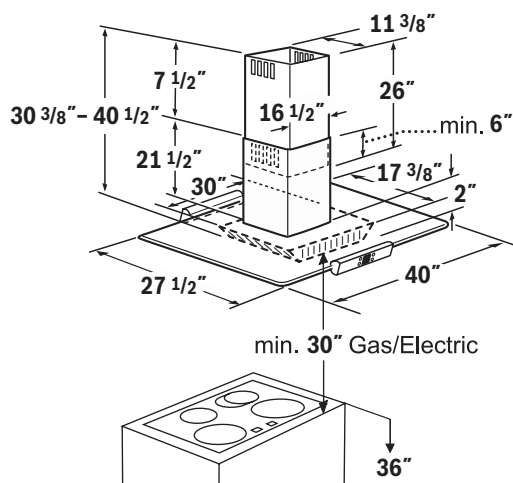


36" 300 Series Models

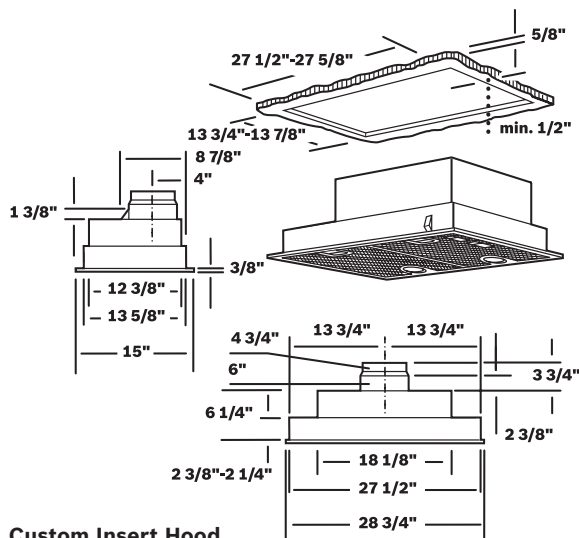


30" 300 Series Models

## Island and Custom Insert Hoods



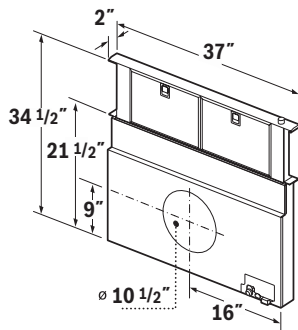
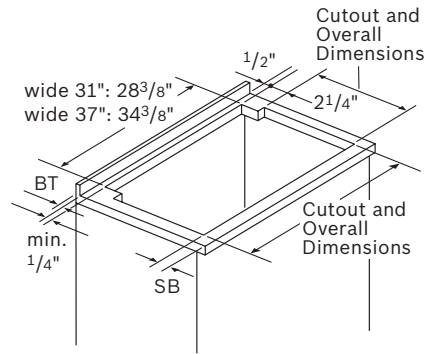
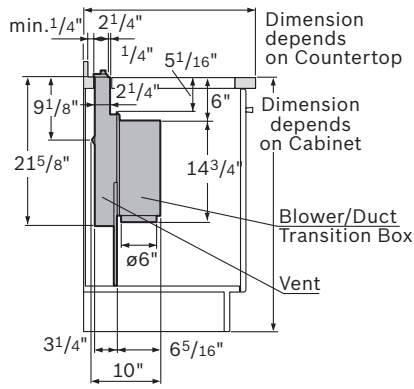
Glass Canopy Island Hood



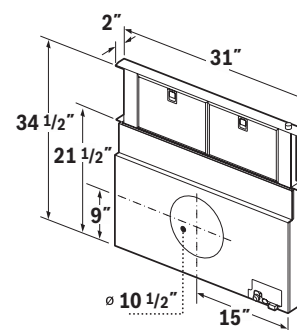
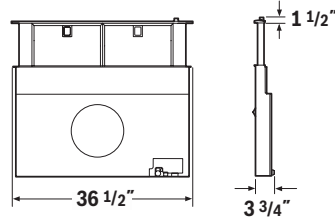
Custom Insert Hood

**Note:** Dimensions are for planning only. For details, see installation manual, or visit [www.bosch-home.com/us](http://www.bosch-home.com/us). Specifications subject to change without notice. For immediate installation dimensions by fax, call 1.925.284.3558. Use code #8317 for a directory of Bosch products. Also available online at [dexpress.com](http://dexpress.com).

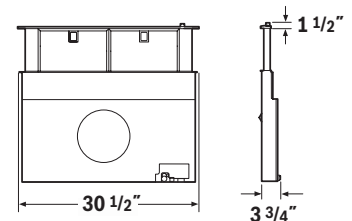
**Downdraft**



**36" Downdraft**

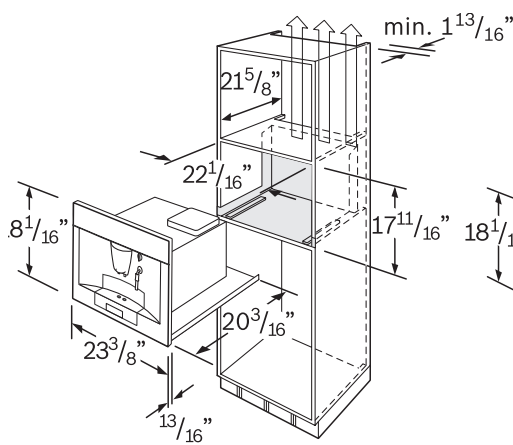


**30" Downdraft**

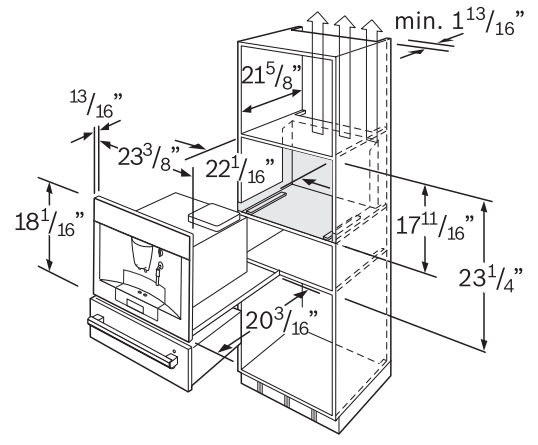
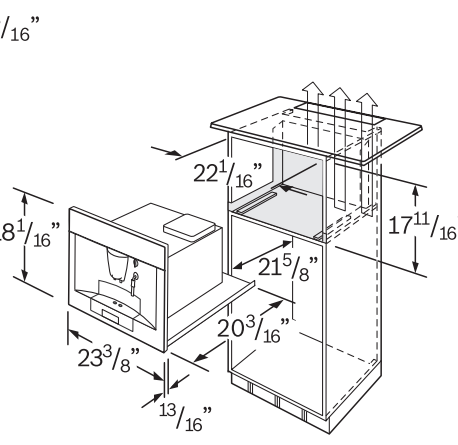


# Built-in Coffee Machine Dimensions and Installation

**Built-in Benvenuto® Coffee Machine**

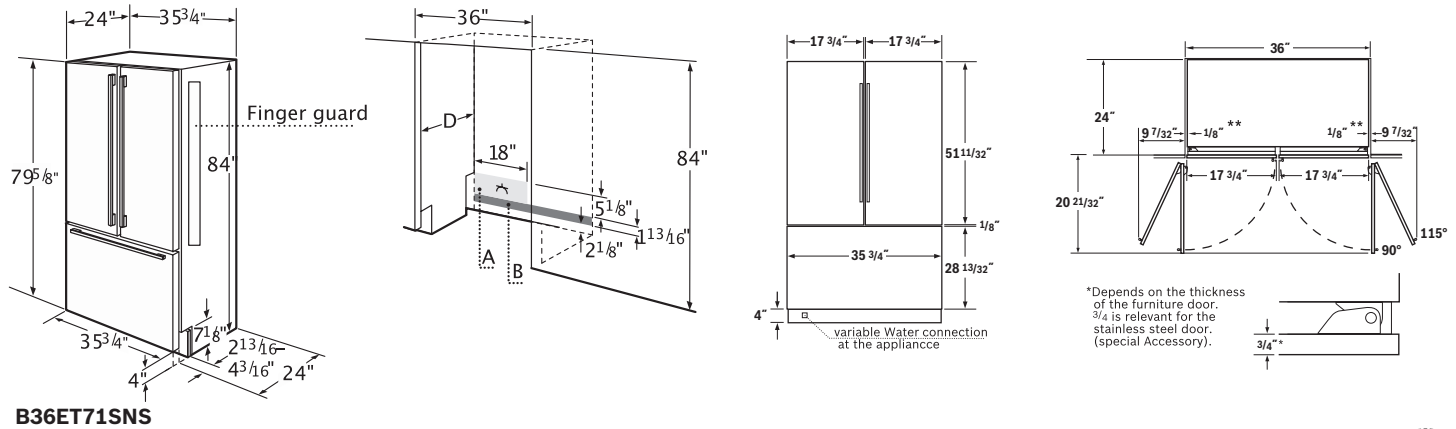


**TKN68E75UC**

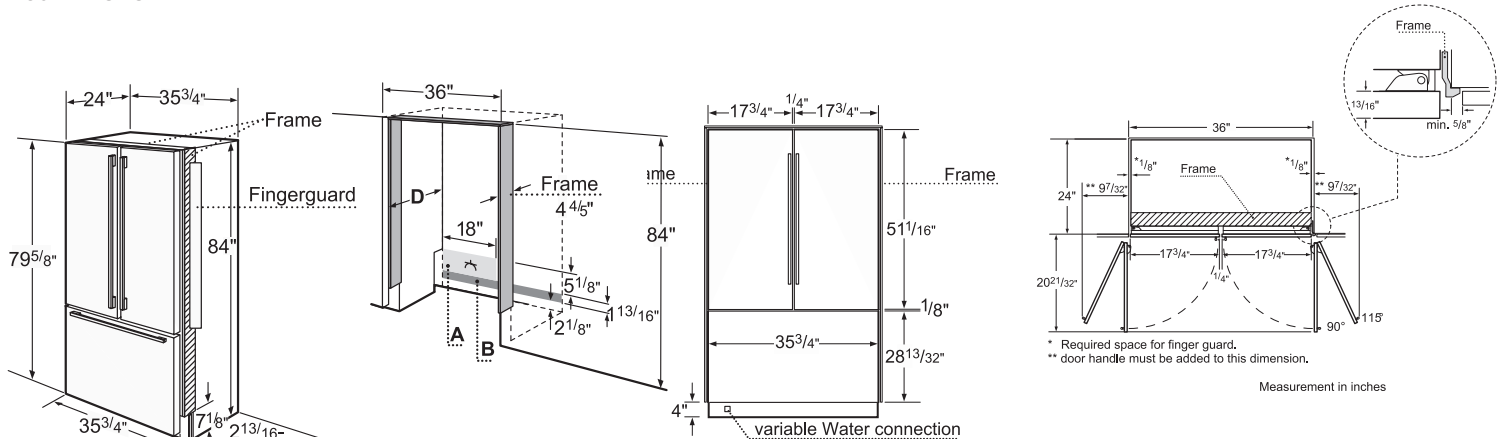


# Refrigeration Dimensions and Installation

## Integra® Refrigerators



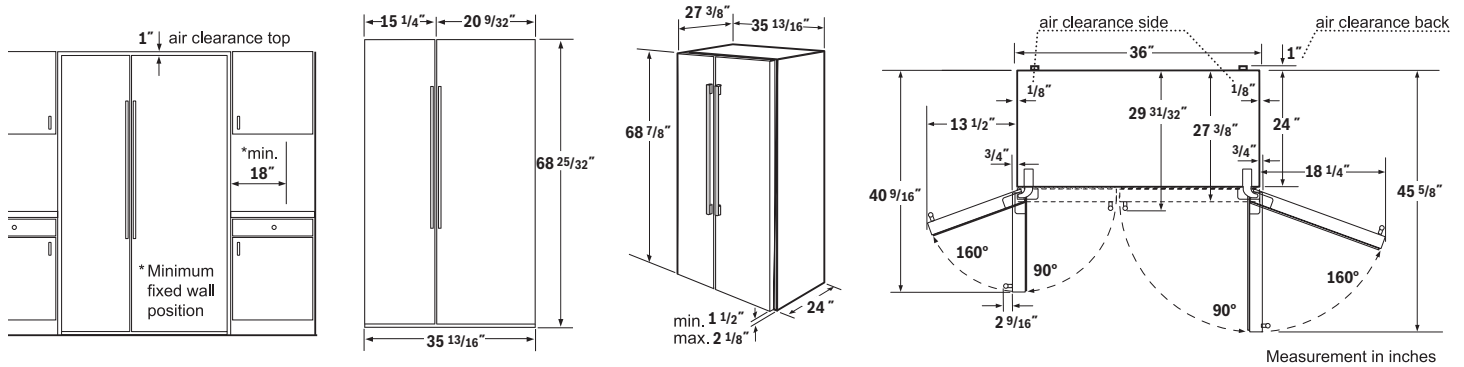
**B36ET71SNS**



**B36IT71SNS (with frame)**

- A:** Area for installation of power connection.
- B:** Area for running the water line. It is recommended that the water-box is placed adjacent to the installation cavity, so that it can be accessed for service without uninstalling the appliance. If this is not possible, place the recessed water-box adjacent to the water supply socket elevated at the heights as referenced in areas A and B.
- D:** Niche depth must be a minimum 24" deep.

## Linea™ Refrigerators

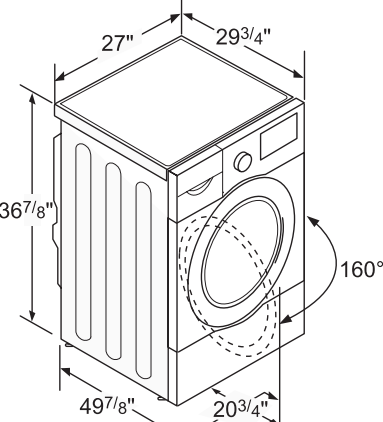


**Note:** Dimensions are for planning only. For details, see installation manual, or visit [www.bosch-home.com/us](http://www.bosch-home.com/us). Specifications subject to change without notice. For immediate installation dimensions by fax, call 1.925.284.3558. Use code #8317 for a directory of Bosch products. Also available online at [dexpress.com](http://dexpress.com).

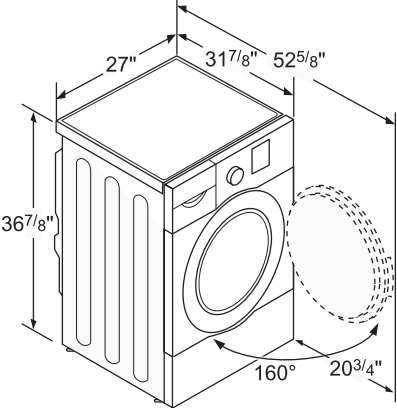


# Laundry Dimensions and Installation

## Vision™ Washers and Dryers

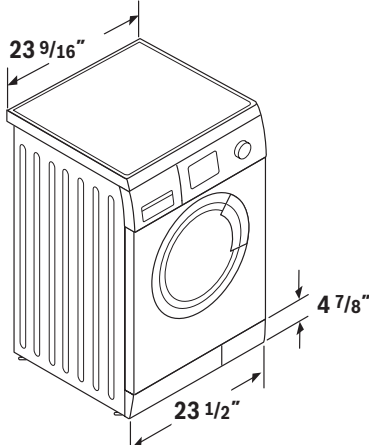


Washers

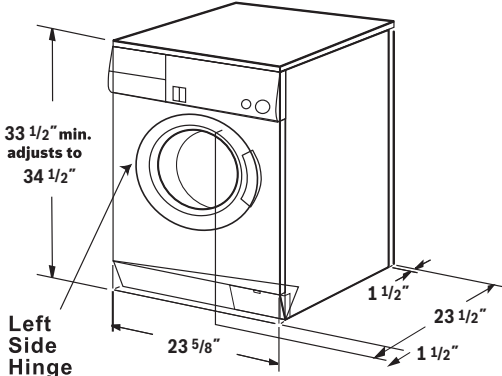
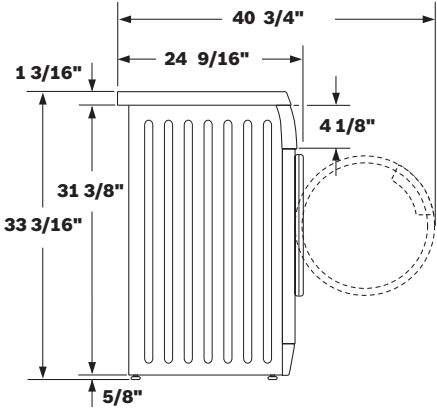


Dryers

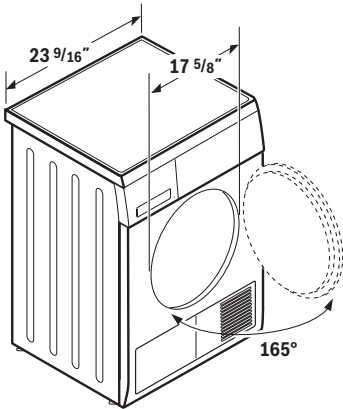
## Axxis® Washers and Dryers



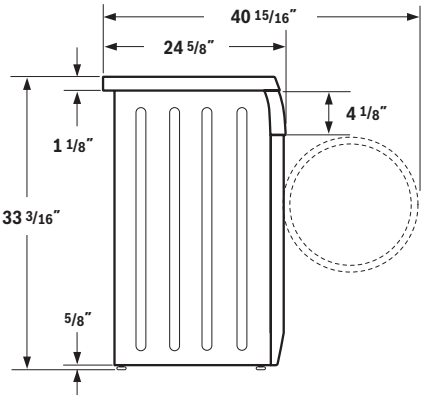
WAS Washers<sup>1</sup>



WFL Washers<sup>2</sup>



WTE/WTV Dryers



<sup>1</sup> Minimum stacking height 68 1/2"  
<sup>2</sup> Minimum stacking height 68 5/8"

## **Bosch Home Appliances**

5551 McFadden Avenue  
Huntington Beach, CA 92649  
1.800.944.2904  
[www.bosch-home.com/us](http://www.bosch-home.com/us)



©2009 BSH Home Appliances Corporation. ©2009 BSH Home Appliances Ltd. All rights reserved. Bosch is a registered trademark of Robert Bosch GmbH. All information presented herein is based on data available at the time of printing and is subject to change without notice.  
SAP#2800001722. BSH#6309-0300. Litho Date: 07/09 MG