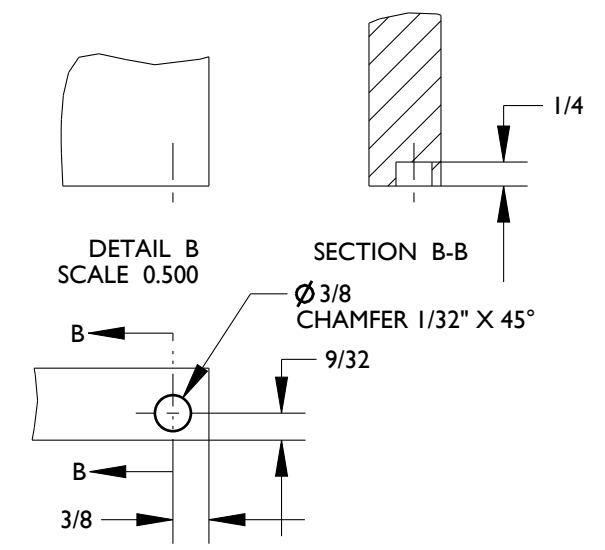
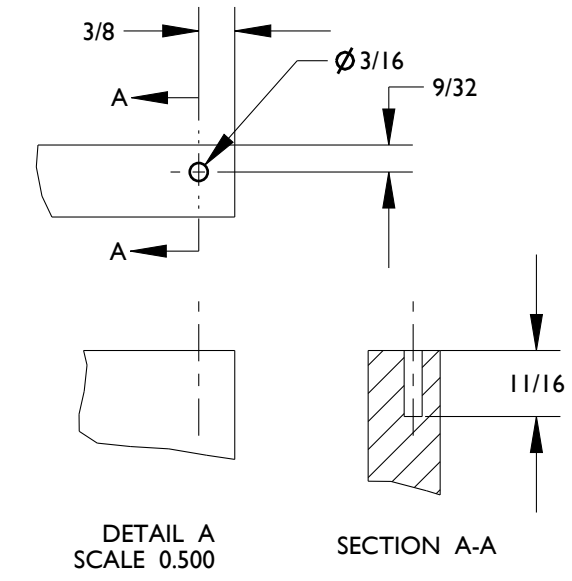
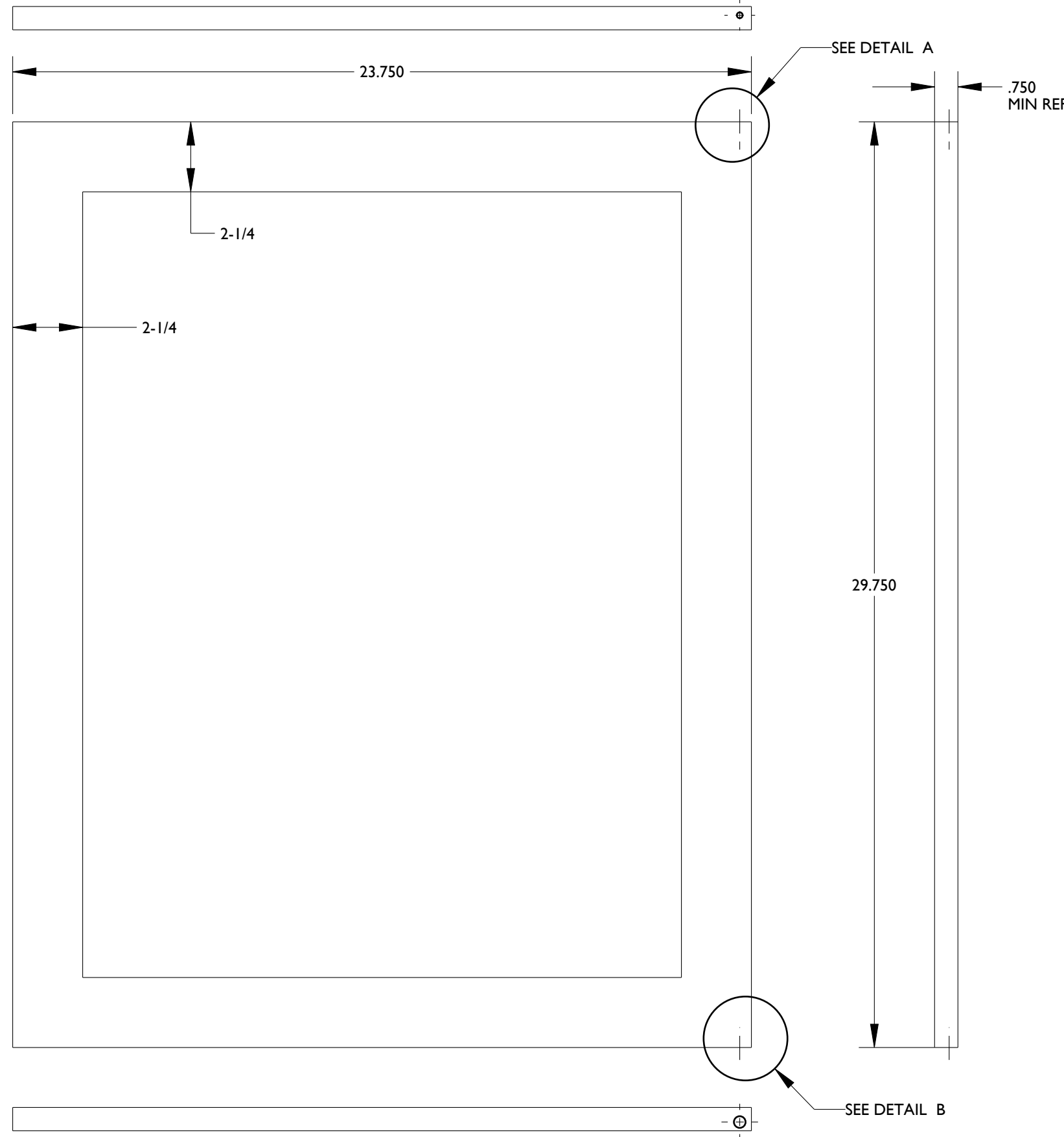


REVISION HISTORY				
REV	ECN	DESCRIPTION	BY	DATE
A		RELEASED	JHZ	02APR10



REQ'D	PART NUM	DESCRIPTION	ITEM
-	2000_FRAME_OVERLAY_24_R	FRAME OVERLAY 24" R	-

<p>UNLESS OTHERWISE SPECIFIED ALL DIMENSIONS ARE IN INCHES .XX ± .03 .XXX ± .015 X° ± 1° HOLE Ø = +.005/- .002 REMOVE BURRS AND SHARP EDGES TO .015 MAX. INTERPRET DIM AND TOL PER ASME Y14.5M-1994 DO NOT SCALE DRAWING</p>		<p>THIRD ANGLE PROJECTION</p>			
<p>THIS DRAWING IN DESIGN AND DETAIL IS THE PROPERTY OF U-LINE CORPORATION ALL RIGHTS OF DESIGN AND INVENTION ARE RESERVED.</p>		<p>DRAWING NAME FRAME OVERLAY 24" R</p>		<p>SIZE B</p>	
<p>MODEL</p>		<p>MATERIAL</p>		<p>DRAWING NUMBER 2000_FRAME_OVERLAY_24_R</p>	
<p>ECN</p>		<p>REV DATE</p>		<p>REV A</p>	
<p>DRAWN BY</p>		<p>DATE DRAWN</p>		<p>SCALE 0.250</p>	
<p>THE DOOR PANEL MUST NOT WEIGH MORE THAN 20 POUNDS.</p>				<p>SHEET 1 OF 1</p>	