

This Data Sheet Includes Information On

Marvel

- Product Model Number (s):
Luxury Series Wine Cellar with Full Wrap Glass Door:
61WCM-WW-G, 61WCM-BB-G, 61WCM-BS-G and
61WCM-SS-GX

Dimensions (Actual Size)

- Overall depth including handle: 26 3/8"
- Overall depth NOT including handle: 24 1/4"
- Depth NOT including door: 22"
- Height at full leg adjustment: 35"
- Height at 0" leg adjustment: 34 1/4"
- Height without legs installed: 34"
- Width: 23 7/8"
- Toe Kick height: 3"
- Door swing at 90°: 25 1/2"
- Recommended opening width: 24"
- Recommended opening depth: 24"
- Recommended opening height: 34 1/2"

Additional Information

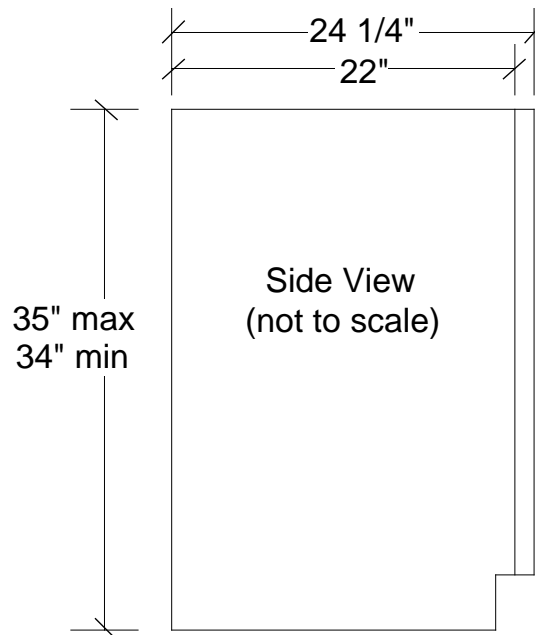
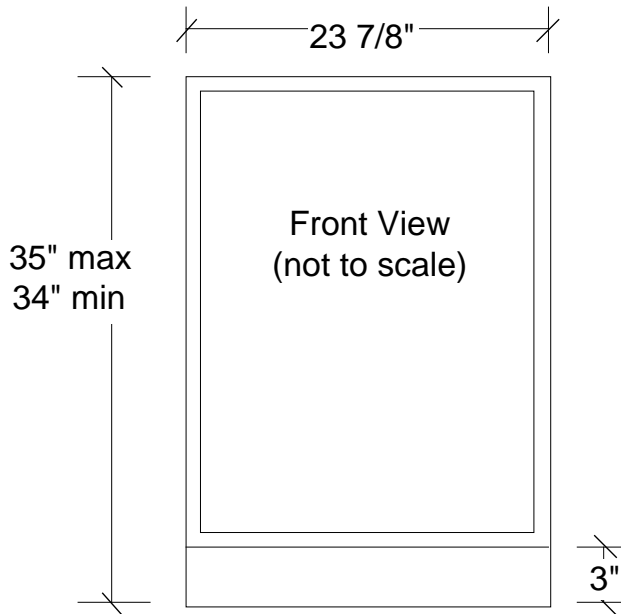
- Electrical requirements: 120 volts, 3 amps running max. 15 amp circuit required.
- Locate a 3-prong grounded receptacle in one of three locations: 1) On the wall in the adjacent cabinet opening. 2) Flush on the back wall of the refrigerator opening (add 1" to the overall depth of the unit to accommodate the thickness of the plug). 3) Recessed 1" into the back wall of the refrigerator opening.
- May be built-in or freestanding
- When recessed, unit does not require additional air space for top, sides or rear
- MicroSentry™ refrigeration monitor controls refrigeration system's performance to maintain a constant and precise temperature
- Lighted and inclined display rack for 4 bottles, with storage for 3 more in back
- Wine racks may be extended at 90° door opening
- Racks have front trim of clear, solid maple (unfinished)
- Capacity: 45 wine bottles, including magnums
- Door is reversible in field if model does NOT include -LL or -LR.
- Door lock (when -LL, left hand hinge or -LR, right hand hinge is added to the model number), top center of door. Door with lock is not field reversible.

See pages 2 for additional information

Subject to change without notice. This system is designed to be updated daily if necessary. Dimension Express is not responsible for use of superseded, voided, or outdated data sheets. Because of the difficulty or impracticability of determining actual damages, liability of Dimension Express shall not exceed \$50.00.

Copyright © Dimension Express, 2007.

318



• NEVER reuse Data Sheets. Data Sheets are subject to change without notice. Dimension Express is a FREE service bureau and is updated daily, it makes far more sense to spend the time necessary to request new Data Sheets for each project, as opposed to the problems, time, costs, and risks associated with reusing old Data Sheets.

- Call Dimension Express if you have any questions at (800) 940-2059 •
- Always refer to a current Code at a Glance or manufacturer directory •
- Data Sheet codes change on the first of each quarter at 12:01am •

BN • A318B149 • • 070111 • 10447 • 75438

Luxury Series Wine Cellar with Full Wrap Glass Door:
61WCM-WW-G, 61WCM-BB-G, 61WCM-BS-G and
61WCM-SS-GX

Additional Information:

- Shipping weight: 130 pounds.
- U.L. Listed.
- Does not accept custom panels.
- 61WCM-WW-G : White cabinet, white frame glass door, gloss white interior.
- 61WCM-BB-G : Black cabinet, black frame glass door, gloss ebony interior.
- 61WCM-BS-G : Black cabinet, stainless finish frame glass door, gloss ebony interior.
- 61WCM-SS-GX : Stainless cabinet, stainless finish frame glass door, stainless trim on wine racks, gloss ebony interior.

Accessories:

- Humidrawer Cigar Storage Compartment: P/N 42242728.
- Casters: P/N 42244041.

Subject to change without notice. This system is designed to be updated daily if necessary. Dimension Express is not responsible for use of superseded, voided, or outdated data sheets. Because of the difficulty or impracticability of determining actual damages, liability of Dimension Express shall not exceed \$50.00. Copyright © Dimension Express, 2007.

• NEVER reuse Data Sheets. Data Sheets are subject to change without notice. Dimension Express is a FREE service bureau and is updated daily, it makes far more sense to spend the time necessary to request new Data Sheets for each project, as opposed to the problems, time, costs, and risks associated with reusing old Data Sheets.

- Call Dimension Express if you have any questions at (800) 940-2059 •
- Always refer to a current Code at a Glance or manufacturer directory •
- Data Sheet codes change on the first of each quarter at 12:01am •