



Standard Features & Accessories

Both models include

- QuickCook™ surface elements utilize ribbon element technology to reach full power in about 3 seconds
- Bridge element between left front and rear elements, creates a continuous heated surface
- Dimensioned to fit the majority of similarly sized cooktop cutouts
- Strong, wear-resistant glass ceramic top offers excellent cleanability

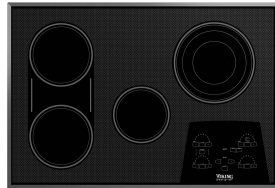
4B model includes

- Four elements
 - Left front—7" 1,800 watts, 400 watts bridge
 - Left rear—7" 1,800 watts
 - Center—6" 1,500 watts
 - Right rear—9"/7"/5" triple element 2,500/1,600/800 watts

5B model includes

- Five elements
 - Left front—7" 1,800 watts, 400 watts bridge
 - Left rear—7" 1,800 watts
 - Center—9"/7"/5" triple element 2,500/1,600/800 watts
 - Right front—6" 1,500 watts
 - Right rear—8" 2,100 watts

Model Options



DETU200-4B
30"W. Four-Element Cooktop



DETU260-5B
36"W. Five-Element Cooktop

FINISH DETAILS FOR BOTH MODELS

- Black (BK)
 - Black glass top

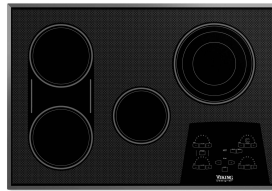
ORDERING INSTRUCTIONS

First specify model number, and then color code (DETU200-4BBK).



Dimensions & Specifications

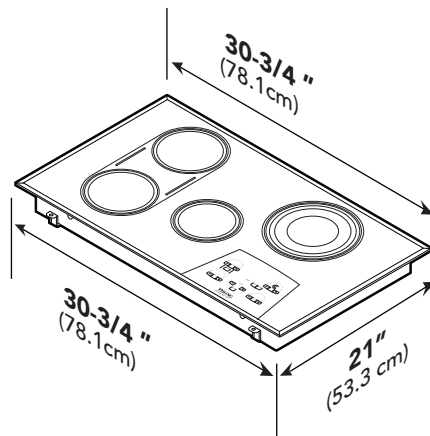
OVERALL PRODUCT DIMENSIONS



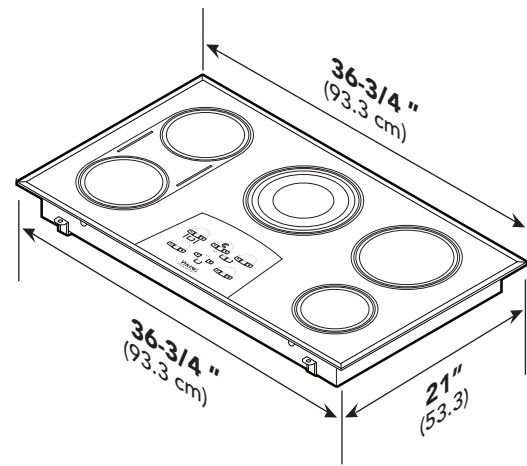
DETU200-4B
30"W. Four-Element
Cooktop



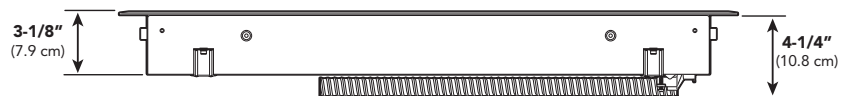
DETU260-5B
36"W. Five-Element
Cooktop



30"W. Models



36"W. Models



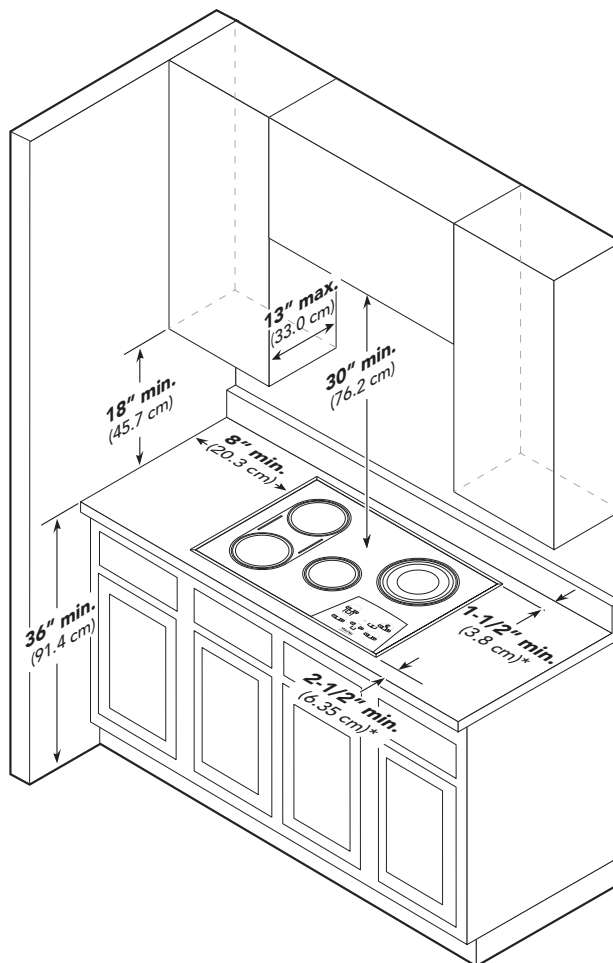
FRONT VIEW

	DETU200-4B	DETU260-5B
Overall width	30-3/4" (78.1 cm)	36-3/4" (93.3 cm)
Overall height (top of cooktop to bottom)		3-1/8" (7.9 cm)
Overall depth (from rear)		21" (53.3 cm)



Dimensions & Specifications

CLEARANCE DIMENSIONS



Minimum clearances from adjacent combustible construction

- Sides—minimum 8" (20.3 cm)
- Rear—minimum 1-1/2" (3.8 cm)
- From edge of cutout and front edge of countertop 2-1/2" (6.35 cm)
- Within 8" (20.3) side clearance; wall cabinets no deeper than 13" (33.0 cm)
- Countertop depth 25" (63.5 cm)
- Overhead cabinet depth from rear maximum 13" (33.0 cm)
- Side cabinet height from countertop minimum 18" (45.7 cm)
- Wall cabinets directly above cooktop must be minimum 30" (76.2 cm) above the countertop (unless ventilation product is used).

1. The cooktop **CANNOT** be installed directly adjacent to sidewalls, tall cabinets or appliances, or other side vertical surfaces above 30" (76.2 cm) high. A minimum side clearance of 8" (20.3 cm) is required between the cooktop and such **combustible** surfaces above the countertop.
2. A minimum height clearance of 18" (45.7 cm) is required between the countertop and wall cabinets no deeper than 13" (33.0 cm) above the countertop.
3. These dimensions are based on a standard 24" (60.1 cm) deep base cabinet with a 25" (63.5 cm) deep countertop and 3/4" backsplash.
4. If a ventilation product is installed over the cooktop, the minimum 30" (76.2 cm) height clearance above the unit does not apply. Refer to the ventilation installation instructions for further information.

Warning

The use of cabinets for storage above the appliance may result in a potential burn hazard. If a cabinet storage is to be provided the risk can be reduced by installing a hood that projects horizontally a minimum of 5" (12.7 cm) beyond the bottom of the cabinets.

Important: To ensure proper performance and extend the life of the electric components in the cooktop, it is required that a minimum height clearance of 1-1/2" (3.8 cm) be located between the bottom of the induction cooktop and any shelf or combustible surface directly below the cooktop. This includes the top edges of drawers located directly beneath the cooktop. If a shelf or drawer is located directly below the cooktop, a 1" (0.4 cm) gap at the front of the shelf or drawer is necessary to allow for proper ventilation.



UTILITY REQUIREMENTS



GAS
Not applicable



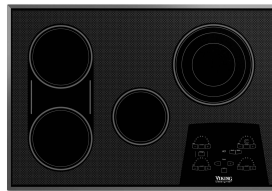
- ELECTRICAL**
- 3-wire, 240-208/120VAC/60Hz; Unit is equipped with No. 10 ground wire in conduit. Should be fused separately.
 - Maximum amp usage—
 - DETU200-4B
 - 240V—35.0
 - 208V—30.3
 - DETU260-5B
 - 240V—45.0
 - 208V—40.0



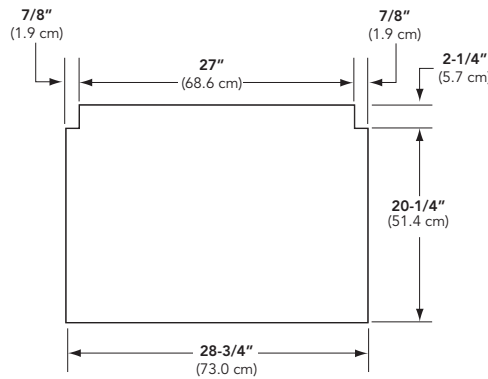
PLUMBING
Not applicable

Installation Requirements

ACCESS REQUIREMENTS



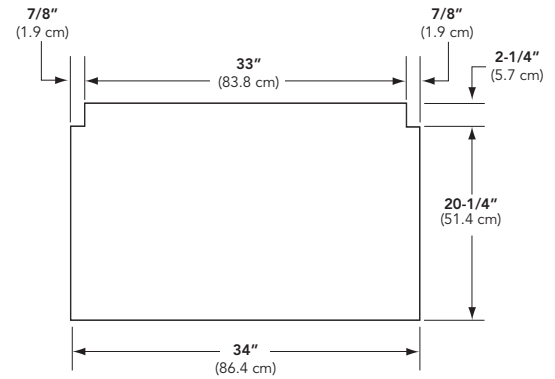
DETU200-4B
30"W. Five-Element Cooktop



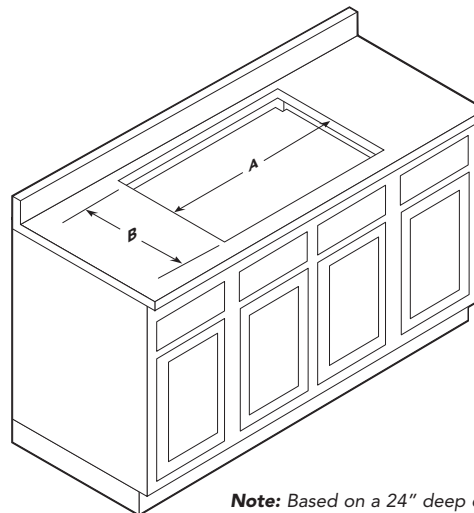
30"W. Cutout*



DETU260-5B
36"W. Five-Element Cooktop



36"W. Cutout*



Note: Based on a 24" deep cabinet with 3/4" backsplash.

	DETU200-4B			DETU260-5B		
Cutout width (A)	28-3/4" (72.9 cm) min. to 29" (73.7 cm) max.			34" (86.4 cm) min. to 34-9/16" (87.8 cm) max.		
Cutout height	3-1/8" (7.9 cm)					
Cutout depth (B)	19-1/4" (49.0 cm) min. to 19-5/8" (49.8 cm) max.					
Surface burner rating	240V	208V	240V	208V	240V	208V
Left front			1,800 watts	1,350 watts		
Bridge			800 watts	600 watts		
Left rear			1,800 watts	1,350 watts		
Center	1,500 watts	1,125 watts			2,500/1,600/800 watts	2,500/1,600/800 watts
Right front	N/A	N/A			1,500 watts	1,125 watts
Right rear	2,500/1,600/800 watts	1,875/1,200/600 watts			2,100 watts	1,575 watts



Compliance Information



WARRANTY INFORMATION*

- One-year full – complete unit
- Five-year limited – surface burner
- Ninety-day limited – cosmetic parts such as glass, painted items and decorative items

* For complete warranty see *Use & Care Guide*. Warranty valid on Viking products shipped within the United States and Canada.

