



Designer Freestanding Electric Self-Clean 30"W. Range

Standard Features & Accessories

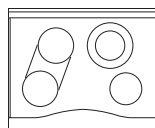
All models include

- QuickCook™ surface elements utilize ribbon technology—elements reach full power in about three seconds
- Strong, wear-resistant glass ceramic top
- High infrared transmission for fast cooking, regardless of the type of cookware used
- Left front element—7" 1,800 watts
- Left rear element—7" 1,800 watts
- Bridge element between left front and left rear elements; creates a continuous heated surface—800 watts
- Right front element—6-1/2" 1,500 watts
- Right rear (dual element)—9" 2,500 watts/6" 1,000 watts

- **Exclusive** Patented Vari-Speed Dual Flow™ convection system with 8-1/2" diameter fan blade—largest in the industry; works bi-directionally for maximum airflow and excellent cooking results
- **Exclusive** Rapid Ready™ preheat system provides super fast preheating
- Concealed 10-pass dual bake element provides finer temperature control and makes cleanup easy
- 10-pass broiler with heat reflector
- High performance cooking modes include Bake, Convection Bake, TruConvec™ Convection Cooking, Convection Roast, Hi, Med and Low Broil, Convection Broil, Convection Dehydrate, Convection Defrost and

- Self-Clean
- Halogen oven lighting
- Three heavy-duty racks/six porcelain coated rack positions
- **Exclusive** 30"W. Ovens: largest self-clean, convection ovens
 - Overall 25-5/16"W. x 16-1/2"H. x 19-1/2" D. - 4.7 cubic feet
 - AHAM standard 25-5/16"W. x 16-1/2"H. x 16-13/16"D. - 4.1 cubic feet
- Shipped standard with stainless steel island trim*

Model Options



DSCE130-4B
30"W. Four Burner Range

FINISH DETAILS FOR ALL MODELS

- Stainless Steel (SS), Black (BK), White (WH), Metallic Silver (MS), Graphite Gray (GG), Stone Gray (SG), Taupe (TP), Biscuit (BT), Cotton White (CW), Oyster Gray (OG), Golden Mist (GM), Lemonade (LE), Sage (SA), Mint Julep (MJ), Sea Glass (SE), Iridescent Blue (IB), Viking Blue (VB), Pumpkin (PM), Racing Red (RR), Apple Red (AR), Burgundy (BU), Plum (PL), Chocolate (CH), and Cobalt Blue (CB).
 - o Finish designates door front, lower front panel, and side panels.
- o All finishes, except white, have black glass ceramic tops and black knob grips.
- White (WH)
 - o Finish designates door front, lower front panel, side panels, ceramic glass and gray knob grips.
- All finishes have brushed stainless handles and control panel.

*Shown throughout with accessory 6" high backguard. See **Installation Notes & Accessories** for details.

ORDERING INSTRUCTIONS

First specify model number, and then color code (DSCE130-4BSS).



Designer Freestanding Electric Self-Clean 30"W. Range

Dimensions & Specifications

PRODUCT DIMENSIONS & DOOR SWING

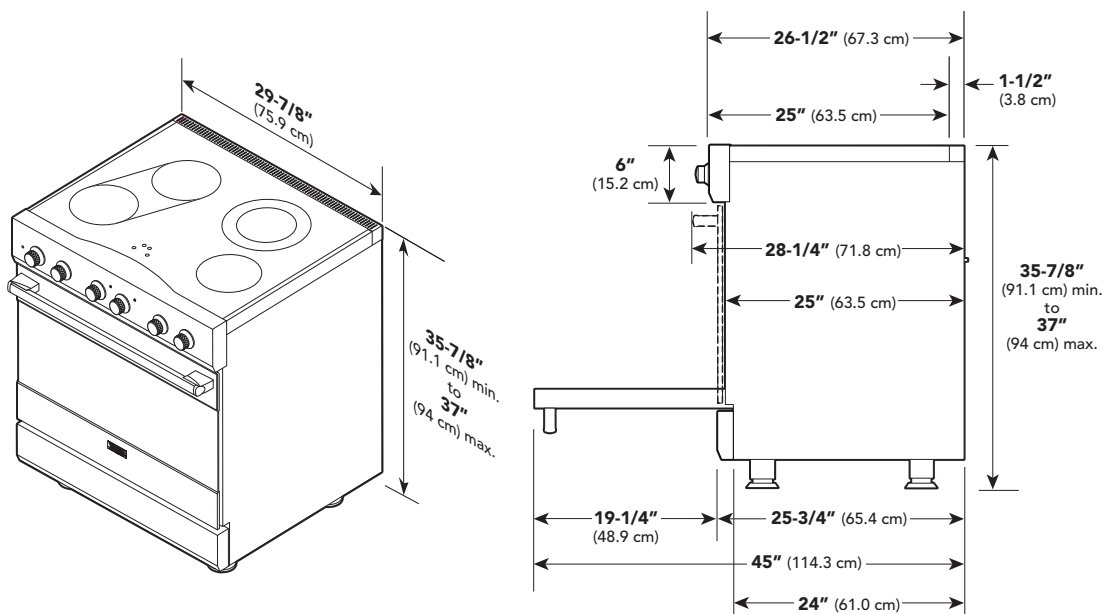


DSCE130-4B
30"W. Four Burner Range

★ Please see **Installation Notes & Accessories** for important installation information including backguard, high-shelf, island trim, and curb base front.



Star-K Kosher Certification for use on the Jewish Sabbath or Jewish holidays

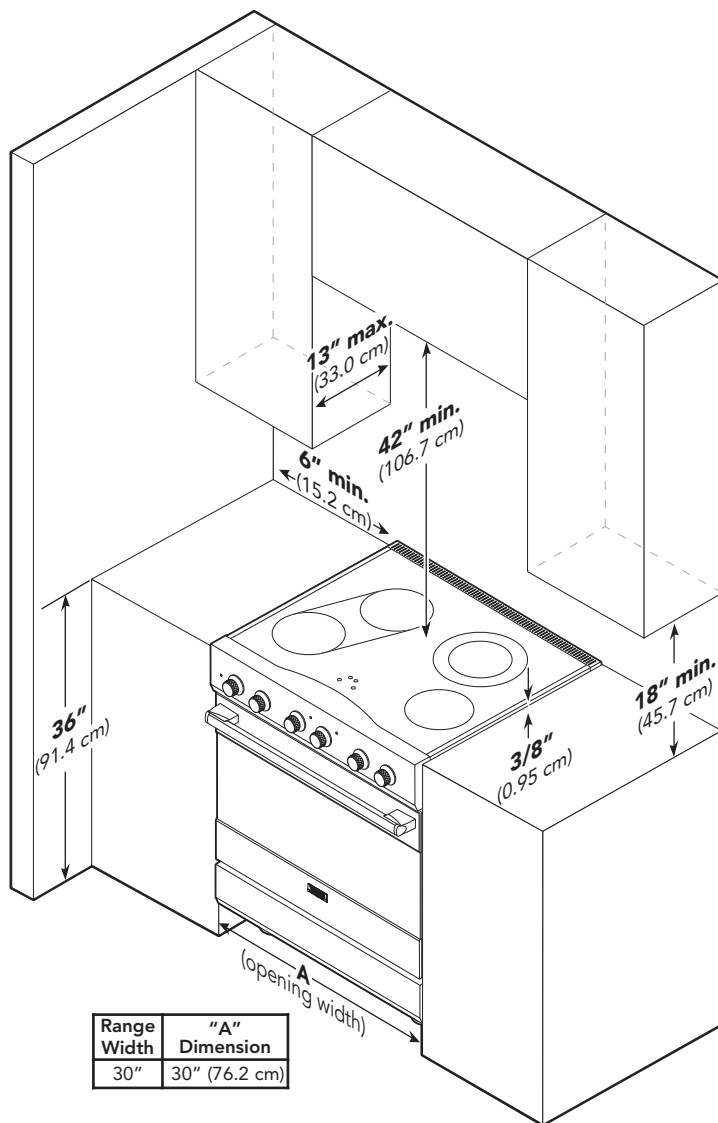


DSCE130-4B	
Overall width	29-7/8" (75.9 cm)
Overall height	
Base height	
To top of glass frame	35-7/8" (91.1 cm) min. to 37" (94.0 cm) max.
Legs adjust (with "spindles" fully extended)	1-1/8" (2.9 cm)
Additions to base height	
To top of island trim	Add 0" (0.0 cm)
To top of 6" backguard	Add 6" (15.2 cm)
To top of high-shelf	Add 18-3/16" (46.2 cm)
Overall depth (from rear)	
To front of side panel	25" (63.5 cm)
To front of door	25-3/4" (65.4 cm)
To front of landing edge	26-1/2" (67.3 cm)
To front of door handle	28-1/4" (71.8 cm)
Oven	
Interior width	25-5/16" (64.6 cm)
Interior height	16-1/2" (41.9 cm)
Interior depth	Overall - 19-1/2" (49.5 cm)/AHAM - 16-13/16" (42.7 cm)
Overall interior size	Overall - 4.7 cu. ft./AHAM - 4.1 cu. ft.



Dimensions & Specifications

CLEARANCE DIMENSIONS



Minimum clearances from adjacent combustible construction

- Cooking surface and below, i.e., 36" (91.4 cm) and below
 - o Sides—0"
 - o Rear—0" with 8" backguard or high-shelf; 0" with island trim and non-combustible rear wall; 6" (15.2 cm) with island trim and combustible rear wall
 - o Top grate support—36" (91.4 cm)
- Above cooking surface, i.e., above 36" (91.4 cm)
 - o Sides—6" (15.2 cm)
 - o Within 6" (15.2 cm) side clearance, wall cabinets no deeper than 13" (33.0 cm) must be minimum 18" (45.7 cm) above cooking surface
- o Wall cabinets directly above product must be minimum 42" (106.7 cm) for sealed top burners above cooking surface
- Use range only with factory supplied legs
 1. This range may be installed directly adjacent to existing 36" (91.4 cm) high base cabinets. **Important:** The top grate support **must** be 3/8" (0.95 cm) above the adjacent base cabinet countertop. This may be accomplished by raising the unit using the adjustment spindles on the legs.
 2. The range **cannot** be installed directly adjacent to sidewalls, tall cabinets, tall appliances, or other side vertical surfaces above 36" (91.4 cm) high.
- There must be a minimum of 6" (15.2 cm) side clearance from the range to such combustible surfaces above the 36" (91.4 cm) counter height.
- 3. Within the 6" (15.2 cm) side clearance to combustible vertical surfaces above 36" (91.4 cm), the maximum wall cabinet depth must be 13" (33.0 cm) and wall cabinets within this 6" (15.2 cm) side clearance must be 18" (45.7 cm) above the 36" (91.4 cm) high countertop.
- 4. Wall cabinets above the range must be a minimum of 42" (106.7 cm) above the range cooking surface for the full width of the range. This minimum height requirement does not apply if a rangehood is installed over the cooking surface.



Installation Requirements

ACCESS REQUIREMENTS

UTILITY REQUIREMENTS



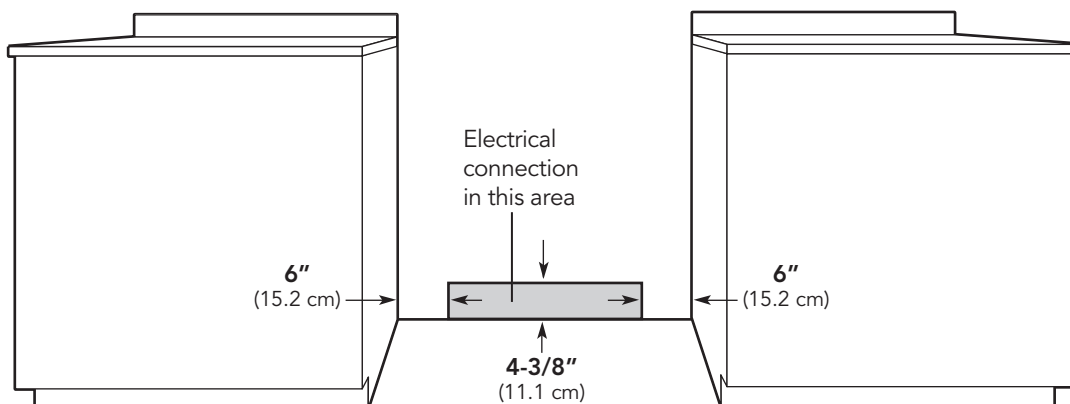
ELECTRICAL

- 240-208 VAC, 60 Hz electrical connection box on product, connect with locally supplied 3-wire, flexible cord or "pigtail" rated 40 amp 125-250 VAC minimum. Cord must be agency approved for use with household electric ranges.
- Maximum amp usage—
 - 240 - 208/120 VAC/60 Hz
 - o 4B
 - 240V—14,160 watts; 59 amps
 - 208V—10,620 watts; 51.3 amps



PLUMBING

Not applicable



DSCE530-4B

	240V	208V
Surface element rating	240V	208V
Left front	1,800 watts	1,350 watts
Bridge	800 watts	600 watts
Left rear	1,800 watts	1,350 watts
Right front	1,500 watts	1,125 watts
Right rear (dual element)	2,500/1,000 watts	1,875/750 watts



✪ Installation Notes & Accessories

A backguard, high-shelf, or island trim must be used for all installations.

Island Trim

- Stainless Steel (SS)
- Coordinates with all finishes
- For island/peninsula installation
- Can replace backguard if wall is non-combustible
- Included and shipped automatically with the 30"W. range

Model	Description	Approx. ship wt. lbs. (kg)
DS30TII	30"W. island trim	11 (5.0)

6"H. Backguard

- Stainless Steel (SS)
- Coordinates with all finishes

Model	Description	Approx. ship wt. lbs. (kg)
DS30BG6	30"W. backguard	14 (6.3)

10"H. Backguard

- Stainless Steel (SS)
- Coordinates with all finishes

Model	Description	Approx. ship wt. lbs. (kg)
DS30BG10	30"W. backguard	18 (8.1)

High-shelf

- Stainless Steel (SS)
- Coordinates with all finishes

Model	Description	Approx. ship wt. lbs. (kg)
DS30HS24	30"W. high-shelf	45 (20.3)

Countertop Side Trim

- Stainless Steel (SS)
- Coordinates with all finishes
- One pair of trim
- Installs on side of unit; overlaps countertop

Model	Description	Approx. ship wt. lbs. (kg)
P24CST	24"D. side trim	2 (0.9)

Countertop Rear Trim

- Stainless Steel (SS)
- Coordinates with all finishes

Model	Description	Approx. ship wt. lbs. (kg)
P30CRT	30"W. countertop rear trim	2 (0.9)



✪ Installation Notes & Accessories

Curb Base Front

- Stainless Steel (SS)
- Coordinates with all finishes
- Front only
- Conceals range legs
- Completely assembled
- Easily clips onto range legs after range is installed

Custom Curb Base Front

- Remove stainless steel front and recycle
- Conceals range legs
- Attach locally supplied trim
- Completely assembled
- Easily clips onto range legs after range is installed
- Provides drop-in range look

Model	Description	Approx. ship wt. lbs. (kg)
P30CBF4	30"W. curb base front	9 (4.1)

Compliance Information



WARRANTY INFORMATION*

- One-year full warranty—complete product
- Ten-year limited warranty—porcelain oven and porcelain inner door panel
- Five-year limited warranty—surface burners, griddle burners, grill burners, and oven burner
- Ninety-day limited warranty—cosmetic parts such as glass, painted, and decorative items

* For complete warranty see *Use & Care Guide*. Warranty valid on Viking products shipped within the United States and Canada.

