



# BUILT-IN OVENS PROFESSIONAL & MASTERPIECE® SERIES

## MASTERPIECE SERIES STEAM AND CONVECTION

No true cook's kitchen is truly complete without the power of steam. And no steam oven is complete without the power of convection. You'll find both in Thermador's Steam & Convection Oven. Defrost, steam, proof, bake, slow cook and reheat—the oven's performance and flexibility are unmatched. More importantly, the Steam & Convection Oven provides unrivaled taste, texture and quality. And it's healthier, too, helping your food retain more of its essential vitamins and nutrients.

## PROFESSIONAL SERIES

Featuring an exquisite analog chronometer, stainless steel knobs, professional styling and unsurpassed performance, Thermador Professional Series Ovens bring beauty and power together to create the only true professional level built-in ovens on the market. With industry-leading features like Speed Convection, Maxbroil, a heavy-duty rotisserie, and a massive 4.7 cubic foot capacity, these ovens are built to surpass the expectations of even the most discriminating chef.

Flexibility is powerful. That's why Thermador offers completely modular Professional Series Combination Built-in Ovens. Whether you desire a convection microwave with your oven, or both an oven and warming drawer, these products make your kitchen the model of elegance and practicality.

## MASTERPIECE SERIES

The cornerstone of the passionate cook's kitchen, the Masterpiece Series Single and Double Built-in Ovens provide 14 cooking modes, easy-to-use graphical displays and incomparable Thermador quality and design. Six cooking levels and Thermador's True Convection make it easy to cook several dishes simultaneously without any flavor transfer.

Create the ultimate culinary utopia with the exclusive Thermador Combination Oven with Convection Microwave and Warming Drawer. Whether you choose this combination or our oven and convection microwave model, these culinary tools will astound you with the convenience of their powerful integrated design, outstanding performance and simple installation with just one cutout.



2010  
Masterpiece  
Series Oven



2011  
Steam and  
Convection Oven

# PROFESSIONAL SERIES BUILT-IN OVENS

## FEATURES & BENEFITS



### ★ MASSIVE CAPACITY

With 4.7 cubic feet of cooking space, the 30-inch Thermador Professional Series Ovens are the largest on the market\*. Coupled with the 12-pound heavy-duty rotisserie, these ovens can handle your grandest dinner parties.



### ★ HEAVY-DUTY ROTISSERIE

Thermador Professional Built-in Ovens offer the best performing rotisserie available. With up to 12-pound capacity, it cooks large roasts and poultry evenly on all sides and cleans up easily with dishwasher-safe components.

### ★ MAXBROIL

Thermador's exclusive 5,000 Watt, 12-pass broil element is the most powerful on the market, allowing you to broil even the largest dishes more evenly for perfect results every time.

### SPEED CONVECTION

No preheat needed. Reduce cooking times for frozen foods up to 30% with Thermador's industry-leading Speed Convection system. Your creations are cooked evenly, perfectly and in less time than ever before.

### SOFTLIGHT

Halogen theater lighting dims on and off each time you open and close the oven door to highlight yet another grand cooking performance.

### 3 TELESCOPIC RACKS

Up to 3 Full Access® telescopic racks glide smoothly on ball bearings, allowing them to expand completely for safe, easy access to your meal. Plus, their robust construction safely supports the heaviest dishes while integrated easy-grip handles make them easy to use.

### TRUE CONVECTION

The thoughtfully engineered and perfectly executed True Convection baffle system allows hot air to flow precisely and evenly around food for perfect results and no flavor transfer.



### ★ STAR-K CERTIFIED

Thermador Built-In Ovens are Star-K certified making it possible to use them on Holy Days and the Sabbath.



### ★ SOFTCLOSE® DOOR

New SoftClose hinges prevent slamming and ensure ultra smooth closing of the oven door.



### ★ SUPER FAST PREHEAT

Thermador's exclusive Super Fast Preheat feature preheats your oven in 7 minutes, the fastest in the industry.



### ★ FASTEST SELF-CLEAN

In just 2 hours, the interior walls and rack supports become perfectly clean, thanks to the fastest self-cleaning cycle on the market.

# MASTERPIECE® SERIES, STEAM AND CONVECTION FEATURES & BENEFITS



## HOW PIZZA SHOULD BE DONE

With the Steam & Convection Oven, pizza crust is moist on the inside, crisp on the outside—and the toppings are perfectly browned but never dry. That's dream pizza, made real.



## ★ BRING ON THE BIRD

Forget about getting up early on holidays. You can cook a 14-lb turkey in just 90 minutes in the oven Combination Mode. Golden on the outside. Moist on the inside. Dry turkey is a thing of the past.



## ★ A GOURMET'S GOURMET TOOL

If you ask a professional chef about steam, you'll quickly understand its power, especially when combined with convection. Food is crisp on the outside and moist on the inside, just like it was being served at a 5-star restaurant. No other cooking tool offers results like this.



## ★ CONVECTION BEYOND CONVENTION

The Steam & Convection Oven features Thermador's True Convection baffle system that directs heat to cook foods faster and more evenly than other convection systems. So while your range is busy with the main dishes, the oven's perfect for your baked goods.



## SAVOR THE RESULTS

Taste trumps all. And the Steam & Convection Oven trumps all the other ovens when it comes to texture, appearance, and, of course, taste. Multiple dishes can be cooked to perfection at the same time with no flavor transfer or temperature adjustment needed. This is gourmet cooking, made easier.

## HEALTHIER AND BETTER

Food tastes better and loses fewer vitamins and minerals when cooked with steam. Plus, steam helps eliminate the need to use unhealthy fats and oils. Fish, vegetables, high grain breads and baked goods—the Steam & Convection Oven makes foods that are good for you even better.

## BETTER-THE-NEXT-DAY REHEATING

When properly reheated, some leftovers taste better than when they were originally served. Steam lets you reheat without losing the original dish's moistures, textures and flavors. Plated dishes and baked goods have never been so good the next day.

## 40 EASYCOOK PROGRAMS

From P1 for gently steamed cauliflower florets to P19 for a succulent leg of lamb, the Steam & Convection Oven's 40 pre-programmed modes automatically set oven temperature and humidity for perfect results.

## ★ THERMADOR EXCLUSIVE

# MASTERPIECE® SERIES BUILT-IN OVENS

## FEATURES & BENEFITS



### ★ MASSIVE CAPACITY

With 4.7 cubic feet of cooking space, the 30-inch Thermador Professional and Masterpiece Series Ovens are the largest on the market\*, capable of handling even the largest dinner parties.

### ★ SUPER FAST PREHEAT

Thermador's exclusive Super Fast Preheat feature preheats your oven in 7 minutes, the fastest in the industry.

### MASTERPIECE STYLING

With a chiseled look and stainless steel finish that reflect your own impeccable taste, the Masterpiece oven is more than an appliance. It is an inspiration.

### EASYCOOK

Featuring 20 pre-programmed recipes based on food type and weight, the EasyCook feature is like having a sous-chef in the kitchen with you.

### VARIETY OF COOKING MODES

Masterpiece Series Ovens feature 14 advanced cooking modes as unique as the recipes you plan on creating. These include True Convection, EasyCook and many more, giving you the freedom to cook any way you choose.

### SPEED CONVECTION

No preheat needed. Reduce cooking times for frozen foods up to 30% with Thermador's industry-leading Speed Convection system. Your creations are cooked evenly, perfectly and in less time than ever before.

### SOFTLIGHT

Halogen theater lighting dims on and off each time you open and close the oven door to highlight yet another grand cooking performance.



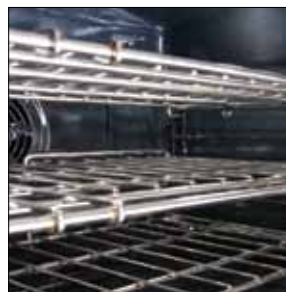
### ★ SOFTCLOSE® DOOR

New SoftClose hinges prevent slamming and ensure ultra smooth closing of the oven door.



### ★ FASTEST SELF-CLEAN

In just 2 hours, the interior walls and rack supports become perfectly clean, thanks to the fastest self-cleaning cycle on the market.



### 3 TELESCOPIC RACKS

Up to 3 Full Access® telescopic racks glide smoothly on ball bearings, allowing them to expand completely for safe, easy access to your meal. Plus, their robust construction safely supports the heaviest dishes while integrated easy-grip handles make them easy to use.



### TRUE CONVECTION

The thoughtfully engineered and perfectly executed True Convection baffle system allows hot air to flow precisely and evenly around food for perfect results and no flavor transfer.



### STAR-K CERTIFIED

Thermador Built-In Ovens are Star-K certified making it possible to use them on Holy Days and the Sabbath.



## MODEL OPTIONS

There are two Thermador Built-in Oven series to choose from — Professional and Masterpiece®. Each series features a distinctive style. Be sure to reference the correct model information in this design guide.

## INSTALLATION CONSIDERATIONS

The information in this design guide provides key features, product dimensions, cutouts and installation specifications. Before installing a Thermador Oven, be sure to verify the cabinet dimensions and electrical connections. Also, always consult with the installation manual packed with the product for complete details before installing.

Thermador Built-in Ovens may be placed in a wall-mounted or under-counter installation.

Thermador Single Ovens may also be installed below any Thermador Induction, Electric or Non-professional Gas Cooktop. When installing below a Thermador Induction Cooktop, a minimum 1" air gap must be maintained between the bottom of the cooktop and the top of the oven. An electric or non-professional Thermador Gas Cooktop can be installed above a Thermador Single Built-in Oven as long as there is no contact between the bottom of the cooktop and the top of the oven. Thermador Single Built-in Ovens are designed and approved for installation with Thermador Cooktops. Refer to the cooktop section for additional specifications.

For oven support, install 2 x 4's extending front to back flush with the bottom and the side of the opening. The supporting base must be well secured to the floor/cabinet and level.

When a Thermador Oven is installed at the end of a cabinet run, adjacent to a perpendicular wall or cabinet door, it is good practice to allow at least 1/4" space between the side of the oven and the wall or door.

For ease of installation, some oven doors may be removed to reduce the weight of the oven by 30 lbs. per door, before installing into the cabinet. Refer to the installation manual for details.



## WARRANTY

Limited warranty parts and labor (2 year)

See page 308 for additional warranty details.

## ELECTRICAL LOCATION

Refer to the appropriate installation diagram for details on conduit box location.

## ELECTRICAL SPECIFICATIONS

Be sure your appliance is properly installed and grounded by a qualified technician. Installation, electrical connections and grounding must comply with all applicable local codes.

All built-in ovens below are dual rated, designed to be connected to either 240/208V AC, 60 Hz, 4-wire, single-phase power supply. Install a suitable conduit box (not furnished). An appropriately-sized, UL-listed conduit connector must be used to correctly attach the conduit to the junction box.

MODEL	REQUIRED CIRCUIT BREAKER	
	240V, 60 Hz	208V, 60 Hz
<b>STEAM AND CONVECTION OVENS</b>		
MES301HS	15 Amp	15 Amp
MES301HP	15 Amp	15 Amp
<b>SINGLE OVENS</b>		
ME301JS	30 Amp	30 Amp
ME301JP	30 Amp	30 Amp
MED271JS	30 Amp	30 Amp
MED301JS	30 Amp	30 Amp
MED301JP	30 Amp	30 Amp
POD301J	30 Amp	30 Amp
<b>DOUBLE OVENS</b>		
ME302JS	40 Amp	40 Amp
ME302JP	40 Amp	40 Amp
MED272JS	40 Amp	40 Amp
MED302JS	40 Amp	40 Amp
MED302JP	40 Amp	40 Amp
PODC302J	40 Amp	40 Amp
<b>COMBINATION OVENS</b>		
MEDMC301JS	50 Amp	50 Amp
MEDMC301JP	50 Amp	50 Amp
PODM301J	50 Amp	50 Amp
<b>TRIPLE COMBINATION OVENS</b>		
MEDMCW71JS	50 Amp	50 Amp
MEDMCW31JS	50 Amp	50 Amp
MEDMCW31JP	50 Amp	50 Amp
PODMW301J	50 Amp	50 Amp

## IMPORTANT

Local Codes may vary; installation, electrical connections and grounding must comply with all applicable local codes.

If local codes permit grounding through the electrical supply neutral, connect both the white neutral wire and the bare ground wire from the oven to the white neutral electrical supply wire.

A 4-wire connection is preferred, but where local codes permit, a 3-wire connection is also acceptable.

# BUILT-IN OVENS

## 24-INCH / 27-INCH / 30-INCH STEAM AND CONVECTION

MES301HS / MES301HP



### MASTERPIECE

MES301HS

- Steam and Convection
- Masterpiece Handle



### MASTERPIECE

MES301HP

- Steam and Convection
- Professional Handle

### SPECIFICATIONS

	24-Inch***
Product Width	23 3/8"
Product Height	17 7/8"
Product Depth	21 5/8"
Door Clearance	14"
Overall Oven Interior Capacity* (cu. ft.)	1.4
Overall Oven Interior Dimensions (W x H x D)	14" x 9 5/8" x 15 3/4"
Min. Cabinet Width	24"
Min. Cabinet Depth	24"
Cutout Width	22"
Cutout Height	17 3/4"
Min. Base Support (lbs.)	92
Trim Overlaps (top - bottom - sides)	1/8" - No overlap on bottom - 5/8"
Trim Depth**	24-Inch - 3/4" 27-Inch - 1 5/8" 30-Inch - 1 5/8"
Electrical Supply	240/208V AC, 60Hz
Required Circuit Breaker	15 Amp
Conduit	71" Flexible 3-Wire
Electrical Rating	1.9 kW @ 240V 1.9 kW @ 208V
Shipping Weight (lbs.)	68

\*According to AHAM Standards

\*\*Protrusion of trim kit / door away from cutout. Does not include handle depth.

\*\*\* For details on 27" and 30" installations please refer to page 77.

### MES301HS / MES301HP

24", 27" or 30" installation possible. For 27" installation please purchase trim kit MST271KS. For 30" installation please purchase trim kit MST301HS.

#### INNOVATION

- ★ - Until now steam has been the technique for professional restaurants and is now available for the culinary enthusiast.
- ★ - Steam and Convection Cooking provides unrivaled taste and quality. Food stays moist on the inside and is perfect on the outside.
- ★ - The ultimate culinary tool—the Steam and Convection Oven offers passionate cooks three cooking solutions—Steam, True Convection, and Steam and Convection.
- ★ - Steam offers a healthy cooking method and retains food's valuable vitamins and nutrients.

#### PERFORMANCE









- Steam and convection cooking is effortless and reduces the risk of over-cooking, over-boiling or dried out food
- 1.4 cu. ft. cavity easily accommodates a 14 lb. turkey
- 40 EasyCook food programs. Pre-programmed modes automatically set the oven temperature and humidity.
- Features 9 advanced conventional cooking modes
- 6 different favorite settings can be individually programmed
- 1 rack, 2 perforated and 2 non-perforated pans included
- Our non-plumbed oven allows for easy installation into any home
- Steam Clean assist function keeps the oven spotless
- Large 1.4 qt. water tank can be used for an entire cooking cycle
- Child safety lock

#### DESIGN

- Beautiful stainless steel cavity is illuminated with powerful halogen lighting
- Masterpiece® Handle on model MES301HS
- Professional Handle on model MES301HP

#### ★ THERMADOR EXCLUSIVE

### ACCESSORIES

	MST271KS 27" Trim Kit for Steam and Convection Oven		CS1XLPH Perforated Cooking Pan—Half size, 1 5/8" deep		CS2LH Baking Tray—Full size, 1 1/8" deep
	MST301HS 30" Trim Kit for Steam and Convection Oven		CS2XLH Cooking Pan—Full size, 1 5/8" deep		CSRACKH Wire Rack for Steam and Convection Oven
	CS1XLH Cooking Pan—Half size, 1 5/8" deep		CS2XLPH Perforated Cooking Pan—Full size, 1 5/8" deep		

# BUILT-IN OVENS

## 24-INCH / 27-INCH / 30-INCH STEAM AND CONVECTION

MES301HS / MES301HP

### INSTALLATION OPTIONS

#### WALL-MOUNTED INSTALLATION

##### 24-INCH

24-inch Steam and Convection Ovens may be installed in a wall cabinet that is a minimum of 24" deep and 24" wide. The cabinet base must be flat and capable of supporting a weight of at least 92 lbs. (42 kg).

##### 27-INCH (WITH TRIM KIT)

27-inch Steam and Convection Ovens may be installed in a wall cabinet that is a minimum of 21" deep and 27" wide. The cabinet base must be flat and capable of supporting a weight of at least 92 lbs. (42 kg).

##### 30-INCH (WITH TRIM KIT)

30-inch Steam and Convection Ovens may be installed in a wall cabinet that is a minimum of 21" deep and 34" wide. The cabinet base must be flat and capable of supporting a weight of at least 92 lbs. (42 kg).

#### UNDER-COUNTER INSTALLATION

Thermador Steam and Convection Ovens may be installed below a Thermador Induction, Electric or Non-professional Gas Cooktop. When installing below a Thermador Induction Cooktop, a minimum 1" air gap must be maintained between the bottom of the cooktop and the top of the oven. An electric or non-professional Thermador Gas Cooktop can be installed above a Thermador Single Built-in Oven as long as there is no contact between the bottom of the cooktop and the top of the oven. Thermador Built-in Ovens are designed and approved for installation with Thermador cooktops. Refer to the cooktop section for additional specifications.

Thermador Steam and Convection Ovens may also be installed above a Thermador Warming Drawer to create a convenient cooking center. Refer to the warming drawer section for additional specifications.

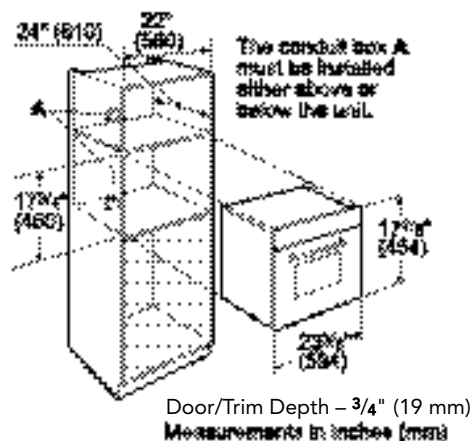
#### IMPORTANT

When a Thermador Oven is installed at the end of a cabinet run, adjacent to a perpendicular wall or cabinet door, it is good practice to allow at least 1/4" space between the side of the oven and the wall or door.

For oven support, install 2 x 4's extending front to back flush with the bottom and the side of the opening. The supporting base must be well secured to the floor/cabinet and level.

The cabinet base must be flat and capable of supporting a weight of at least 92 lbs. (42 kg) for a 24-inch/30-inch steam and convection oven.

### 24-INCH STEAM AND CONVECTION OVEN

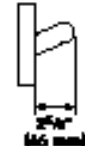


Door Handle Depth\*

Masterpiece Handle

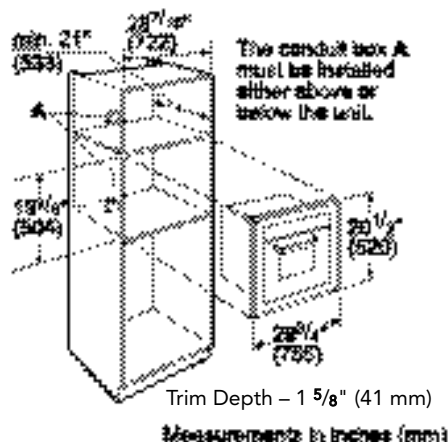


Professional Handle



\*Protrusion of handle from outer part of door. Does not include thickness of door

### 30-INCH (24-INCH STEAM AND CONVECTION OVEN WITH TRIM KIT)

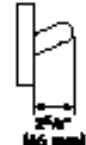


Door Handle Depth\*

Masterpiece Handle



Professional Handle



\*Protrusion of handle from outer part of door. Does not include thickness of door

**NOTE:** 27" Trim Kit cutout width is 25 7/16" and product width is 26 3/4"

#### TRIM KIT SPECIFICATIONS

	27-Inch w/Trim Kit	30-Inch w/Trim Kit
Product Width	26 3/4"	29 3/4"
Product Height	20 1/2"	20 1/2"
Product Depth	21 5/8"	21 5/8"
Door Clearance	15"	15"
Min. Cabinet Width	27"	30"
Min. Cabinet Depth	21"	21"
Cutout Width	25 7/16"	28 7/16"
Cutout Height	19 7/8"	19 7/8"
Trim Overlaps (top - bottom - sides)	3/8" - 3/8" - 5/8"	3/8" - 3/8" - 5/8"



# BUILT-IN OVENS 27-INCH SINGLE

MED271JS



## MASTERPIECE

MED271JS

- True Convection,
- 2 Telescopic Racks
- SoftLight

Product available April 2012. For our current collection of Ovens, refer to Volume 1 of the Kitchen Design and Planning Guide or visit thermador.com or your local dealer for details.

## SPECIFICATIONS

Product Width	26 3/4"
Product Height	29 1/16"
Product Depth	23 7/8"
Door Clearance	22"
Overall Oven Interior Capacity* (cu. ft.)	4.2
Overall Oven Interior Dimensions (W x H x D)	22" x 17 7/8" x 17 6/8"
Usable Oven Interior Dimensions (W x H x D)	19 3/4" x 12 5/8" x 17 1/8"
Min. Cabinet Width	27"
Min. Cabinet Depth	24"
Cutout Width	25 1/2"
Cutout Height	28 1/4"
Min. Base Support (lbs.)	193
Trim Overlaps (top - bottom - sides)	7/8" - 1/16" - 5/8"
Electrical Supply	240/208V AC, 60Hz
Required Circuit Breaker	30 Amp
Conduit	50" Flexible 4-Wire
Electrical Rating	7.3 kW @ 240V 7.3 kW @ 208V
Shipping Weight (lbs.)	179

\*According to AHAM Standards

## MED271JS

### INNOVATION

- ★ - NEW SoftClose® door ensures ultra smooth closing of the oven door
- ★ - Massive Capacity – Largest oven cavity at 4.2 cu. ft. (overall AHAM)
- ★ - Fastest preheat in the luxury segment (around 7 minutes)
- ★ - Superfast 2-hour self clean mode – fastest on the market

### PERFORMANCE

- True Convection offers precise airflow for cooking on multiple levels without flavor transfer
- NEW 2 Full Access® telescopic racks that hold up to 45 pounds and feature integrated easy-grip handles
- No preheat needed – Industry leading Speed Convection system reduces cooking time by 30%
- CookControl temperature probe
- EasyCook offers 20 pre-programmed recipes
- SoftLight – Powerful halogen light with automatic dimming
- 10-pass recessed broil element with 3,500 Watt
- 13 advanced cooking modes
- Advanced culinary modes – Warm, Proof and Dehydrate
- Fast Preheat available for 5 cooking modes
- Large oven door window for maximum viewing
- Timer offers automatic delay start mode
- Hidden bake element for easy cleaning
- Digital indicator shows progress of preheat cycle
- Six adjustable rack levels for multiple item cooking
- NEW Star-K certified

### DESIGN

- NEW Side strips, manifold and exhaust baffle now in bold stainless steel design
- Modern angular design
- Premium glass touch control
- Striking blue full text display

### ★ THERMADOR EXCLUSIVE

## ACCESSORIES



TLSCPRCK27  
27-Inch Oven Telescopic Rack

## INSTALLATION OPTIONS

### WALL-MOUNTED INSTALLATION

Thermador 27-inch Single Ovens may be installed in a wall cabinet that is a minimum of 24" deep and 27" wide. The cabinet base must be flat and capable of supporting a weight of at least 193 lbs. (87 kg).

### UNDER-COUNTER INSTALLATION

Thermador 27-inch Single Ovens may be installed below a Thermador Induction, Electric or Non-professional Gas Cooktop. When installing below a Thermador Induction Cooktop, a minimum 1" air gap must be maintained between the bottom of the cooktop and the top of the oven. An electric or non-professional Thermador Gas Cooktop can be installed above a Thermador Single Built-in Oven as long as there is no contact between the bottom of the cooktop and the top of the oven. Thermador Built-in Ovens are designed and approved for installation with Thermador cooktops. Refer to the cooktop section for additional specifications.

Thermador 27-inch Single Ovens may also be installed above a Thermador Warming Drawer to create a convenient cooking center. Refer to the warming drawer section for additional specifications.

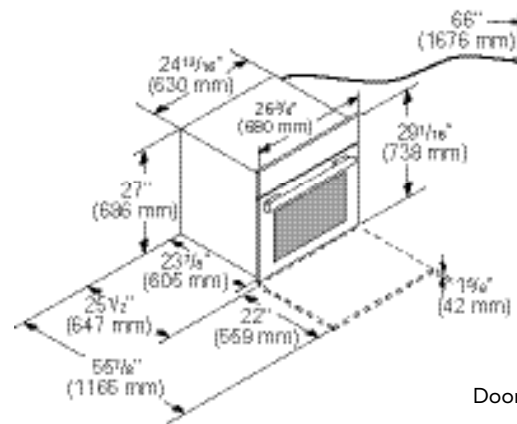
### IMPORTANT

When a Thermador Oven is installed at the end of a cabinet run, adjacent to a perpendicular wall or cabinet door, it is good practice to allow at least 1/4" space between the side of the oven and the wall or door.

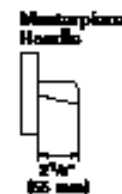
For oven support, install 2 x 4's extending front to back flush with the bottom and the side of the opening. The supporting base must be well secured to the floor/cabinet and level.

The cabinet base must be flat and capable of supporting a weight of at least 193 lbs. (87 kg) for a 27-inch single oven.

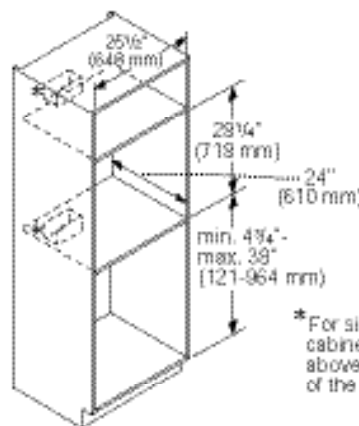
## 27-INCH SINGLE OVEN — WALL-MOUNTED



Door Handle Depth\*

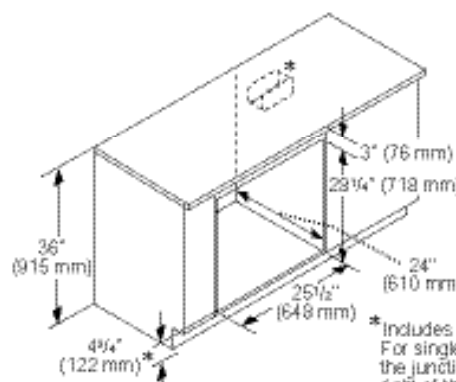


\*Protrusion of handle from outer part of door. Does not include thickness of door



\*For single ovens installed into a wall cabinet, the junction box may be located above or beneath the unit within reach of the power cord.

## 27-INCH SINGLE OVEN — UNDER-COUNTER



\*Includes 4" (19 mm) base plate. For single ovens installed under a cabinet, the junction box should be located to the right of the unit with reach of the power cord.

# BUILT-IN OVENS 27-INCH DOUBLE

MED272JS



## MASTERPIECE

MED272JS

- True Convection in Both Ovens
- 3 Telescopic Racks
- SoftLight

Product available April 2012. For our current collection of Ovens, refer to Volume 1 of the Kitchen Design and Planning Guide or visit thermador.com or your local dealer for details.

## SPECIFICATIONS

Product Width	26 3/4"
Product Height	51 3/4"
Product Depth	23 7/8"
Door Clearance	22"
Overall Oven Interior Capacity* (cu. ft.)	4.2 (Upper & Lower)
Overall Oven Interior Dimensions (W x H x D)	22" x 17 7/8" x 17 6/8"
Usable Oven Interior Dimensions (W x H x D)	19 3/4" x 12 5/8" x 17 1/8"
Min. Cabinet Width	27"
Min. Cabinet Depth	24"
Cutout Width	25 1/2"
Cutout Height	51 1/8"
Min. Base Support (lbs.)	361
Trim Overlaps (top - bottom - sides)	5/8" - 1/16" - 5/8"
Electrical Supply	240/208V AC, 60Hz
Required Circuit Breaker	40 Amp
Conduit	50" Flexible 4-Wire
Electrical Rating	8.0 kW @ 240V 8.0 kW @ 208V
Shipping Weight (lbs.)	315

\*According to AHAM Standards

## ACCESSORIES



TLSCPRCK27  
27-Inch Oven Telescopic Rack

## MED272JS

### INNOVATION

- ★ - NEW SoftClose® door ensures ultra smooth closing of the oven door
- ★ - Massive Capacity – Largest oven cavity at 4.2 cu. ft. (overall AHAM)
- ★ - Fastest preheat in the luxury segment (around 7 minutes)
- ★ - Superfast 2-hour self clean mode – fastest on the market

### PERFORMANCE

- True Convection offers precise airflow for cooking on multiple levels without flavor transfer (in both ovens)
- NEW 3 Full Access® telescopic racks that hold up to 45 pounds and feature integrated easy-grip handles
- No preheat needed – Industry leading Speed Convection system reduces cooking time by 30%
- CookControl temperature probe
- EasyCook offers 20 pre-programmed recipes
- SoftLight – Powerful halogen light with automatic dimming
- 10-pass recessed broil element with 3,500 Watt
- 13 advanced cooking modes
- Advanced culinary modes – Warm, Proof and Dehydrate
- Fast Preheat available for 5 cooking modes
- Large oven door window for maximum viewing
- Timer offers automatic delay start mode
- Hidden bake element for easy cleaning
- Digital indicator shows progress of preheat cycle
- Six adjustable rack levels for multiple item cooking
- NEW Star-K certified

### DESIGN

- NEW Side strips, manifold and exhaust baffle now in bold stainless steel design
- Modern angular design
- Premium glass touch control
- Striking blue full text display

### ★ THERMADOR EXCLUSIVE

## INSTALLATION OPTIONS

### WALL-MOUNTED INSTALLATION

Thermador 27-inch Double Ovens may be installed in a wall cabinet that is a minimum of 24" deep and 27" wide. The cabinet base must be flat and capable of supporting a weight of at least 361 lbs. (164 kg).

Thermador 27-inch Double Ovens may also be installed above a Thermador Warming Drawer to create a convenient cooking center. Refer to the warming drawer section for additional specifications.

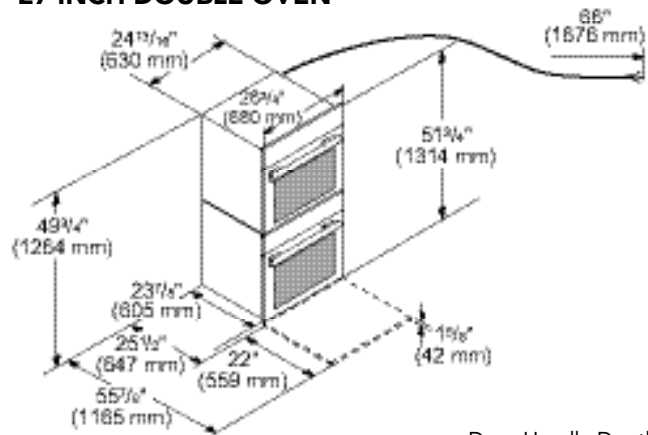
### IMPORTANT

When a Thermador Oven is installed at the end of a cabinet run, adjacent to a perpendicular wall or cabinet door, it is good practice to allow at least 1/4" space between the side of the oven and the wall or door.

For oven support, install 2 x 4's extending front to back flush with the bottom and the side of the opening. The supporting base must be well secured to the floor/cabinet and level.

The cabinet base must be flat and capable of supporting a weight of at least 361 lbs. (164 kg) for a 27-inch double oven.

## 27-INCH DOUBLE OVEN

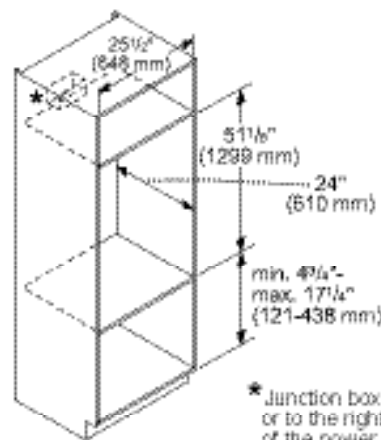


### Door Handle Depth\*

#### Masterpiece Handle



\*Protrusion of handle from outer part of door. Does not include thickness of door



\*Junction box may be installed above, below, or to the right of the unit within range of the power cable.

# BUILT-IN OVENS

## 27-INCH TRIPLE COMBINATION

MEDMCW71JS



### MASTERPIECE

MEDMCW71JS

- True Convection Oven
- Convection Microwave and Warming Drawer
- 2 Telescopic Racks
- SoftLight

Product available April 2012. For our current collection of Ovens, refer to Volume 1 of the Kitchen Design and Planning Guide or visit thermador.com or your local dealer for details.

### SPECIFICATIONS

Product Width	26 3/4"
Product Height	61 3/8"
Product Depth	23 7/8"
Door Clearance	22"
Overall Oven Interior Capacity* (cu. ft.)	4.2
Overall Oven Interior Dimensions (W x H x D)	22" x 17 7/8" x 17 6/8"
Usable Oven Interior Dimensions (W x H x D)	19 3/4" x 12 5/8" x 17 1/8"
Microwave Interior Capacity (cu. ft.)	1.5
Warming Interior Capacity (cu. ft.)	2.3
Min. Cabinet Width	27"
Min. Cabinet Depth	24"
Cutout Width	25 1/2"
Cutout Height	60 3/4"
Min. Base Support (lbs.)	369
Trim Overlaps (top - bottom - sides)	5/8" - 0" - 5/8"
Electrical Supply	240/208V AC, 60Hz
Required Circuit Breaker	50 Amp
Conduit	50" Flexible 4-Wire
Electrical Rating	10.5 kW @ 240V 10.5 kW @ 208V
Shipping Weight (lbs.)	314

\*According to AHAM Standards

### ACCESSORIES



TLSCPRCK27  
27-Inch Oven Telescopic Rack

### MEDMCW71JS

#### INNOVATION

- ★ - NEW SoftClose® door ensures ultra smooth closing of the oven door
- ★ - Massive Capacity – Largest oven cavity at 4.2 cu. ft. (overall AHAM)
- ★ - Fastest preheat in the luxury segment (around 7 minutes)
- ★ - Superfast 2-hour self clean mode – fastest on the market

#### PERFORMANCE

- True Convection offers precise airflow for cooking on multiple levels without flavor transfer
- NEW 2 Full Access® telescopic racks that hold up to 45 pounds and feature integrated easy-grip handles
- No preheat needed – Industry leading Speed Convection system reduces cooking time by 30%
- CookControl temperature probe
- EasyCook offers 20 pre-programmed recipes
- SoftLight – Powerful halogen light with automatic dimming
- 10-pass recessed broil element with 3,500 Watt
- 13 advanced cooking modes
- Advanced culinary modes – Warm, Proof and Dehydrate
- Fast Preheat available for 5 cooking modes
- Large oven door window for maximum viewing
- Timer offers automatic delay start mode
- Hidden bake element for easy cleaning
- Digital indicator shows progress of preheat cycle
- Six adjustable rack levels for multiple item cooking
- NEW Star-K certified

#### DESIGN

- NEW Side strips, manifold and exhaust baffle now in bold stainless steel design
- Modern angular design
- Premium glass touch control
- Striking blue full text display
- See MCES for Microwave feature
- See WD27JS for Warming Drawer feature

★ THERMADOR EXCLUSIVE



# BUILT-IN OVENS

## 27-INCH TRIPLE COMBINATION

MEDMCW71JS

### INSTALLATION OPTIONS

#### WALL-MOUNTED INSTALLATION

Thermador 27-inch Triple Combination Ovens may be installed in a wall cabinet that is a minimum of 24" deep and 27" wide. The cabinet base must be flat and capable of supporting a weight of at least 369 lbs. (167 kg).

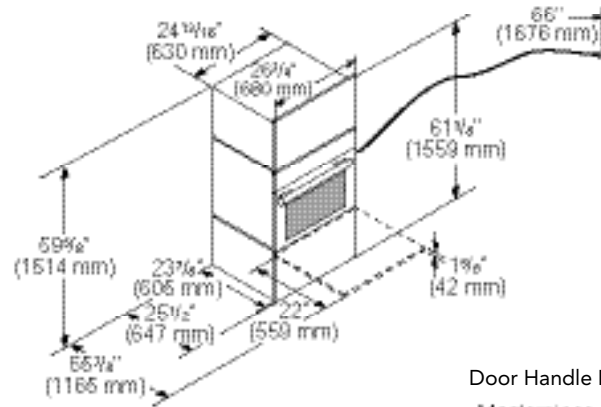
#### IMPORTANT

When a Thermador Oven is installed at the end of a cabinet run, adjacent to a perpendicular wall or cabinet door, it is good practice to allow at least 1/4" space between the side of the oven and the wall or door.

For oven support, install 2 x 4's extending front to back flush with the bottom and the side of the opening. The supporting base must be well secured to the floor/cabinet and level.

The cabinet base must be flat and capable of supporting a weight of at least 369 lbs. (167 kg) for a 27-inch triple combination oven.

### 27-INCH TRIPLE COMBINATION OVEN WITH MICROWAVE

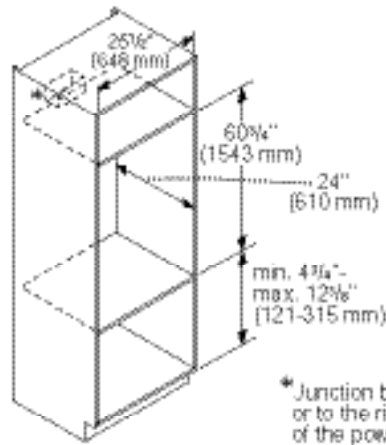


Door Handle Depth\*

Masterpiece Handle



\*Protrusion of handle from outer part of door. Does not include thickness of door



\*Junction box may be installed above, or to the right of the unit within range of the power cable.

# BUILT-IN OVENS 30-INCH SINGLE

POD301J



## PROFESSIONAL

POD301J

- True Convection
- Rotisserie
- 2 Telescopic Racks
- SoftLight

Products available April 2012. For our current collection of Ovens, refer to Volume 1 of the Kitchen Design and Planning Guide or visit thermador.com or your local dealer for details.

## SPECIFICATIONS

Product Width	29 3/4"
Product Height	29 1/16"
Product Depth	23 7/8"
Door Clearance	22"
Overall Oven Interior Capacity* (cu. ft.)	4.7
Overall Oven Interior Dimensions (W x H x D)	25" x 17 7/8" x 17 7/8"
Usable Oven Interior Dimensions (W x H x D)	22 3/4" x 14 3/8" x 17 1/4"
Min. Cabinet Width	30"
Min. Cabinet Depth	24"
Cutout Width	28 1/2"
Cutout Height	28 1/4"
Min. Base Support (lbs.)	212
Trim Overlaps (top - bottom - sides)	13/16" - 1/8" - 5/8"
Electrical Supply	240/208V AC, 60Hz
Required Circuit Breaker	30 Amp
Conduit	50" Flexible 4-Wire
Electrical Rating	7.3 kW @ 240V 7.3 kW @ 208V
Shipping Weight (lbs.)	192

\*According to AHAM Standards

## POD301J

### INNOVATION

- ★ - NEW SoftClose® door ensures ultra smooth closing of the oven door
- ★ - Largest commercial style rotisserie with 12 pound capacity
- ★ - Maxbroil – Largest, most powerful broil element on the market
- ★ - Massive Capacity – Largest oven cavity at 4.7 cu. ft. (overall AHAM)
- ★ - Fastest preheat in the luxury segment (around 7 minutes)
- ★ - Superfast 2-hour self clean mode – fastest on the market

### PERFORMANCE

- True Convection offers precise airflow for cooking on multiple levels without flavor transfer
- NEW 2 Full Access® telescopic racks that hold up to 45 pounds and feature integrated easy-grip handles
- No preheat needed – Industry leading Speed Convection system reduces cooking time by 30%
- CookControl temperature probe
- 12 advanced professional cooking modes
- SoftLight – Powerful halogen light with automatic dimming
- Advanced culinary modes – Warm, Proof and Dehydrate
- Fast Preheat available for 5 cooking modes
- Electronic oven control ensures precise heating
- Large oven door window for maximum viewing
- Timer offers automatic delay start mode
- Hidden bake element for easy cleaning
- Seven adjustable rack levels for multiple item cooking
- NEW Star-K certified

### DESIGN

- NEW Side strips, manifold, exhaust baffle and chronometer now in bold stainless steel design
- Professional style chronometer
- Restaurant style stainless steel knobs and handle
- Bold chiseled professional design
- Blue electronic graphic display controls all timer functions

### ★ THERMADOR EXCLUSIVE

## ACCESSORIES



TLSCPRCK30  
30-Inch Oven Telescopic Rack

## INSTALLATION OPTIONS

### WALL-MOUNTED INSTALLATION

Thermador 30-inch Single Ovens may be installed in a wall cabinet that is a minimum of 24" deep and 30" wide. The cabinet base must be flat and capable of supporting a weight of at least 212 lbs. (96 kg).

### UNDER-COUNTER INSTALLATION

Thermador 30-inch Single Ovens may be installed below a Thermador Induction, Electric or Non-professional Gas Cooktop. When installing below a Thermador Induction Cooktop, a minimum 1" air gap must be maintained between the bottom of the cooktop and the top of the oven. An electric or non-professional Thermador Gas Cooktop can be installed above a Thermador Single Built-in Oven as long as there is no contact between the bottom of the cooktop and the top of the oven. Thermador Built-in Ovens are designed and approved for installation with Thermador cooktops. Refer to the cooktop section for additional specifications.

Thermador 30-inch Single Ovens may also be installed above a Thermador warming drawer to create a convenient cooking center. Refer to the warming drawer section for additional specifications.

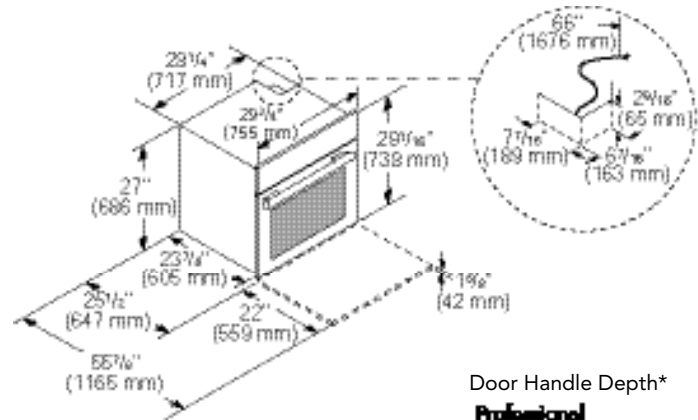
### IMPORTANT

When a Thermador Oven is installed at the end of a cabinet run, adjacent to a perpendicular wall or cabinet door, it is good practice to allow at least 1/4" space between the side of the oven and the wall or door.

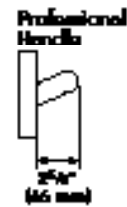
For oven support, install 2 x 4's extending front to back flush with the bottom and the side of the opening. The supporting base must be well secured to the floor/cabinet and level.

The cabinet base must be flat and capable of supporting a weight of at least 212 lbs. (96 kg) for a 30-inch single oven.

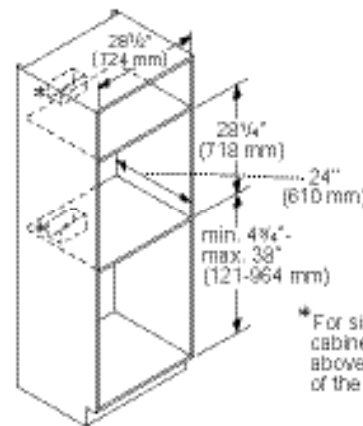
## 30-INCH SINGLE OVEN — WALL-MOUNTED



Door Handle Depth\*

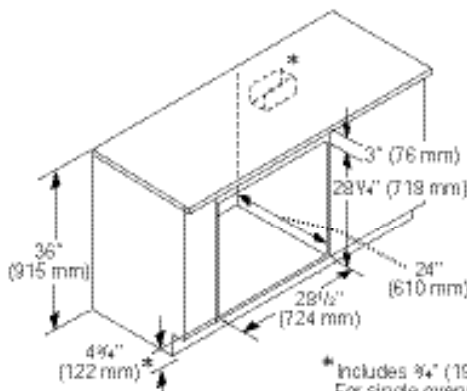


\*Protrusion of handle from outer part of door. Does not include thickness of door



\*For single ovens installed into a wall cabinet, the junction box may be located above or beneath the unit within reach of the power cord.

## 30-INCH SINGLE OVEN — UNDER-COUNTER



\*Includes 3/4" (19 mm) base plate. For single ovens installed under a cabinet, the junction box should be located to the right of the unit with reach of the power cord.

# BUILT-IN OVENS 30-INCH SINGLE

ME301JS / ME301JP / MED301JS / MED301JP



## MASTERPIECE

ME301JS  
Masterpiece Handle

ME301JP  
Professional Handle

- True Convection
- 1 Telescopic Rack

(Masterpiece Handle shown)

## MASTERPIECE

MED301JS  
Masterpiece Handle

MED301JP  
Professional Handle

- True Convection
- Telescopic Racks
- SoftLight

(Masterpiece Handle shown)

Products available April 2012. For our current collection of Ovens, refer to Volume 1 of the Kitchen Design and Planning Guide or visit thermador.com or your local dealer for details.

## SPECIFICATIONS

Product Width	29 3/4"
Product Height	29 1/16"
Product Depth	23 7/8"
Door Clearance	22"
Overall Oven Interior Capacity* (cu. ft.)	4.7
Overall Oven Interior Dimensions (W x H x D)	25" x 17 7/8" x 17 7/8"
Usable Oven Interior Dimensions (W x H x D)	22 3/4" x 12 3/4" x 17 1/4"
Min. Cabinet Width	30"
Min. Cabinet Depth	24"
Cutout Width	28 1/2"
Cutout Height	28 1/4"
Min. Base Support (lbs.)	212
Trim Overlaps (top - bottom - sides)	13/16" - 1/8" - 5/8"
Electrical Supply	240/208V AC, 60Hz
Required Circuit Breaker	30 Amp
Conduit	50" Flexible 4-Wire
Electrical Rating	7.3 kW @ 240V 5.85 kW @ 208V
Shipping Weight (lbs.)	192

\*According to AHAM Standards

## ACCESSORIES



TLSCPRCK30  
30-Inch Oven Telescopic Rack

## ME301JS / ME301JP / MED301JS / MED301JP

### INNOVATION

- ★ - NEW SoftClose® door ensures ultra smooth closing of the oven door
- ★ - Massive Capacity—Largest oven cavity at 4.7 cu. ft. (overall AHAM)
- ★ - Fastest preheat in the luxury segment (around 7 minutes)
- ★ - Superfast 2-hour self clean mode—fastest on the market

### PERFORMANCE

- True Convection offers precise airflow for cooking on multiple levels without flavor transfer
- **Full Access® telescopic rack holds up to 45 pounds, integrated easy-grip handle (1 rack on ME301 and 2 racks on MED301)**
- No preheat needed—Industry leading Speed Convection system reduces cooking time by 30%
- CookControl temperature probe
- EasyCook offers 20 pre-programmed recipes
- **Powerful halogen lighting illuminates the oven cavity on ME301**
- **SoftLight—powerful halogen light with automatic dimming on MED301**
- 10-pass recessed broil element with 3,500 Watt
- 13 advanced cooking modes
- Advanced culinary modes—Warm, Proof and Dehydrate
- Fast Preheat available for 5 cooking modes
- Large oven door window for maximum viewing
- Timer offers automatic delay start mode
- Hidden bake element for easy cleaning
- Digital indicator shows progress of preheat cycle
- Six adjustable rack levels for multiple item cooking
- NEW Star-K certified

### DESIGN

- NEW Side strips, manifold and exhaust baffle now in bold stainless steel design
- Modern angular design
- Glass touch control
- Striking blue full text display
- Masterpiece® Handle on model ME301JS and MED301JS
- Professional Handle on model ME301JP and MED301JP

★ **THERMADOR EXCLUSIVE**

# BUILT-IN OVENS 30-INCH SINGLE

ME301JS / ME301JP / MED301JS / MED301JP

## INSTALLATION OPTIONS

### WALL-MOUNTED INSTALLATION

Thermador 30-inch Single Ovens may be installed in a wall cabinet that is a minimum of 24" deep and 30" wide. The cabinet base must be flat and capable of supporting a weight of at least 212 lbs. (96 kg).

### UNDER-COUNTER INSTALLATION

Thermador 30-inch Single Ovens may be installed below a Thermador Induction, Electric or Non-professional Gas Cooktop. When installing below a Thermador Induction Cooktop, a minimum 1" air gap must be maintained between the bottom of the cooktop and the top of the oven. An electric or non-professional Thermador Gas Cooktop can be installed above a Thermador Single Built-in Oven as long as there is no contact between the bottom of the cooktop and the top of the oven. Thermador Built-in Ovens are designed and approved for installation with Thermador Cooktops. Refer to the cooktop section for additional specifications.

Thermador 30-inch Single Ovens may also be installed above a Thermador Warming Drawer to create a convenient cooking center. Refer to the warming drawer section for additional specifications.

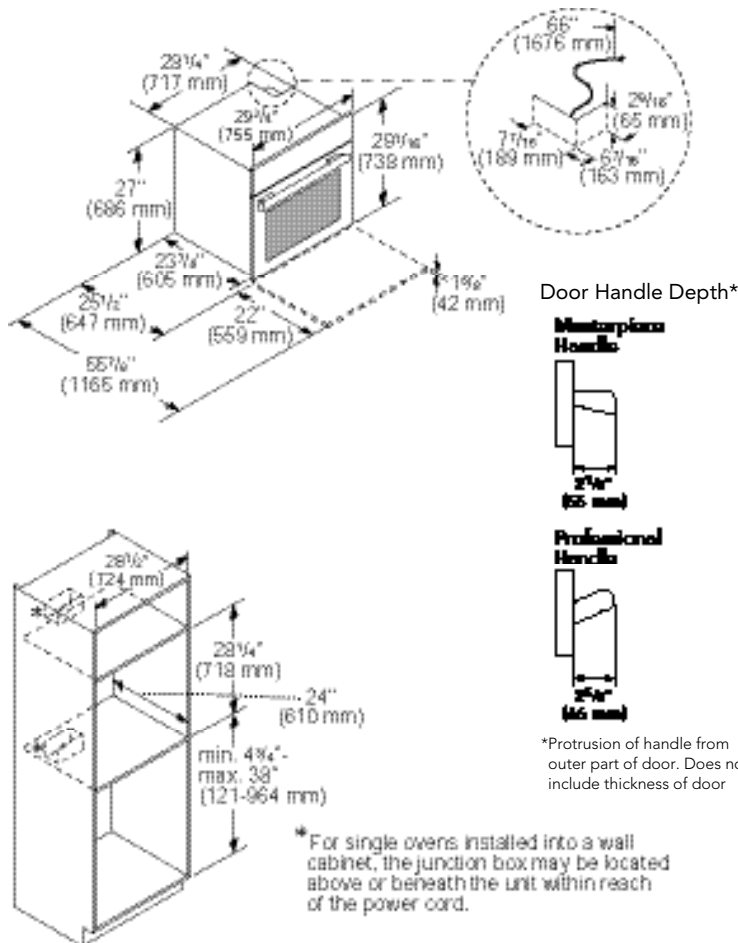
### IMPORTANT

When a Thermador Oven is installed at the end of a cabinet run, adjacent to a perpendicular wall or cabinet door, it is good practice to allow at least 1/4" space between the side of the oven and the wall or door.

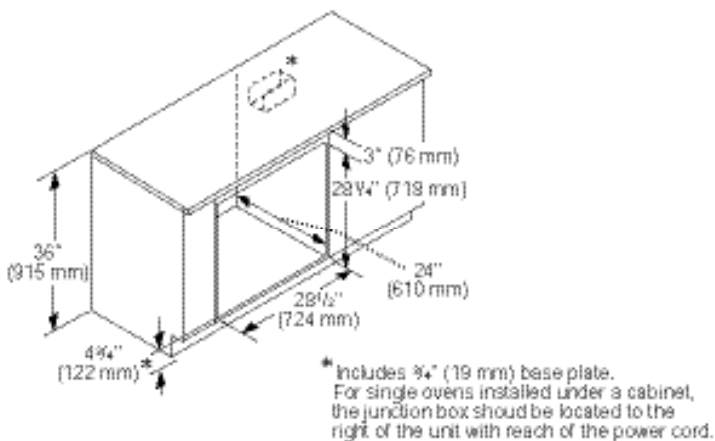
For oven support, install 2 x 4's extending front to back flush with the bottom and the side of the opening. The supporting base must be well secured to the floor/cabinet and level.

The cabinet base must be flat and capable of supporting a weight of at least 212 lbs. (96 kg) for a 30-inch single oven.

## 30-INCH SINGLE OVEN — WALL-MOUNTED



## 30-INCH SINGLE OVEN — UNDER-COUNTER





# BUILT-IN OVENS 30-INCH DOUBLE

PODC302J



## PROFESSIONAL

PODC302J

- True Convection in Both Ovens
- Rotisserie
- 3 Telescopic Racks
- SoftLight

Products available April 2012. For our current collection of Ovens, refer to Volume 1 of the Kitchen Design and Planning Guide or visit thermador.com or your local dealer for details.

## SPECIFICATIONS

Product Width	29 3/4"
Product Height	51 3/4"
Product Depth	23 7/8"
Door Clearance	22"
Overall Oven Interior Capacity* (cu. ft.)	4.7 (Upper & Lower)
Overall Oven Interior Dimensions (W x H x D)	25" x 17 7/8" x 17 7/8"
Usable Oven Interior Dimensions (W x H x D)	22 3/4" x 14 3/8" x 17 1/4"
Min. Cabinet Width	30"
Min. Cabinet Depth	24"
Cutout Width	28 1/2"
Cutout Height	51 1/8"
Min. Base Support (lbs.)	390
Trim Overlaps (top - bottom - sides)	5/8" - 1/8" - 5/8"
Electrical Supply	240/208V AC, 60Hz
Required Circuit Breaker	40 Amp
Conduit	50" Flexible 4-Wire
Electrical Rating	9.0 kW @ 240V 9.0 kW @ 208V
Shipping Weight (lbs.)	328

\*According to AHAM Standards

## PODC302J

### INNOVATION

- ★ - NEW SoftClose® door ensures ultra smooth closing of the oven door
- ★ - Largest commercial style rotisserie with 12 pound capacity
- ★ - Maxbroil – Largest, most powerful broil element on the market
- ★ - Massive Capacity – Largest oven cavity at 4.7 cu. ft. (overall AHAM)
- ★ - Fastest preheat in the luxury segment (around 7 minutes)
- ★ - Superfast 2-hour self clean mode – fastest on the market

### PERFORMANCE

- True Convection offers precise airflow for cooking on multiple levels without flavor transfer (in both ovens)
- NEW 3 Full Access® telescopic racks that hold up to 45 pounds and feature integrated easy-grip handles
- No preheat needed – Industry leading Speed Convection system reduces cooking time by 30%
- CookControl temperature probe
- 14 advanced professional cooking modes
- Advanced culinary modes – Warm, Proof and Dehydrate
- SoftLight – Powerful halogen light with automatic dimming
- Fast Preheat available for 5 cooking modes
- Electronic oven control ensures precise heating
- Large oven door window for maximum viewing
- Timer offers automatic delay start mode
- Hidden bake element for easy cleaning
- Seven adjustable rack levels for multiple item cooking
- NEW Star-K certified

### DESIGN

- NEW Side strips, manifold, exhaust baffle and chronometer now in bold stainless steel design
- Professional style chronometer
- Restaurant style stainless steel knobs and handle
- Bold chiseled professional design
- Blue electronic graphic display controls all timer functions

### ★ THERMADOR EXCLUSIVE

## ACCESSORIES



TLSCPRCK30  
30-Inch Oven Telescopic Rack

## INSTALLATION OPTIONS

### WALL-MOUNTED INSTALLATION

Thermador 30-inch Double Ovens may be installed in a wall cabinet that is a minimum of 24" deep and 30" wide. The cabinet base must be flat and capable of supporting a weight of at least 390 lbs. (177 kg).

Thermador 30-inch Double Ovens may also be installed above a Thermador Warming Drawer to create a convenient cooking center. Refer to the warming drawer section for additional specifications.

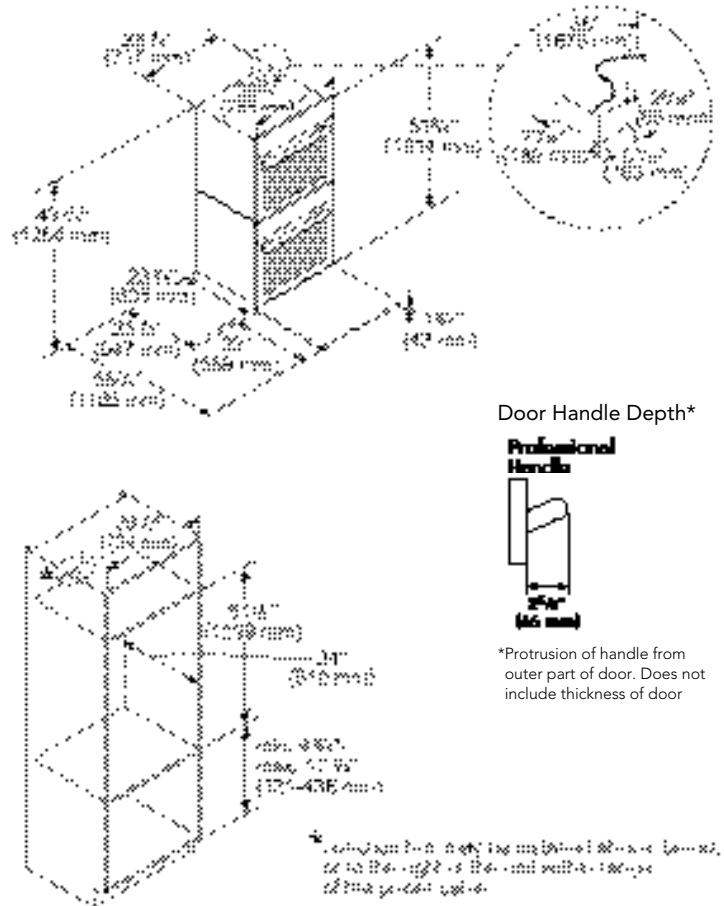
### IMPORTANT

When a Thermador Oven is installed at the end of a cabinet run, adjacent to a perpendicular wall or cabinet door, it is good practice to allow at least 1/4" space between the side of the oven and the wall or door.

For oven support, install 2 x 4's extending front to back flush with the bottom and the side of the opening. The supporting base must be well secured to the floor/cabinet and level.

The cabinet base must be flat and capable of supporting a weight of at least 390 lbs. (177 kg) for a 30-inch double oven.

## 30-INCH DOUBLE OVEN



# BUILT-IN OVENS 30-INCH DOUBLE

ME302JS / ME302JP / MED302JS / MED302JP



## MASTERPIECE

ME302JS  
Masterpiece Handle

ME302JP  
Professional Handle

- True Convection in Upper Oven Only
- 1 Telescopic Rack

(Masterpiece Handle shown)



## MASTERPIECE

MED302JS  
Masterpiece Handle

MED302JP  
Professional Handle

- True Convection in Both Ovens
- 3 Telescopic Racks
- SoftLight

(Masterpiece Handle shown)

Products available April 2012. For our current collection of Ovens, refer to Volume 1 of the Kitchen Design and Planning Guide or visit thermador.com or your local dealer for details.

## SPECIFICATIONS

	ME302JS ME302JP	MED302JS MED302JP
Product Width	29 3/4"	
Product Height	51 3/4"	
Product Depth	23 7/8"	
Door Clearance	22"	
Overall Oven Interior Capacity* (cu. ft.)	4.7 (Upper & Lower)	
Overall Oven Interior Dimensions (W x H x D)	25" x 17 7/8" x 17 7/8"	
Usable Oven Interior Dimensions (W x H x D)	22 3/4" x 12 3/4" x 17 1/4"	
Min. Cabinet Width	30"	
Min. Cabinet Depth	24"	
Cutout Width	28 1/2"	
Cutout Height	51 1/8"	
Min. Base Support (lbs.)	390	
Trim Overlaps (top - bottom - sides)	5/8" - 1/8" - 5/8"	
Electrical Supply	240/208V AC, 60Hz	
Required Circuit Breaker	40 Amp	
Conduit	50" Flexible 4-Wire	
Electrical Rating	7.6 kW @ 240V 7.6 kW @ 208V	8.0 kW @ 240V 8.0 kW @ 208V
Shipping Weight (lbs.)	328	

\*According to AHAM Standards

## ACCESSORIES

TLSCPRCK30  
30-Inch Oven Telescopic Rack

## ME302JS / ME302JP / MED302JS / MED302JP

### INNOVATION

- ★ - NEW SoftClose® door ensures ultra smooth closing of the oven door
- ★ - Massive Capacity—Largest oven cavity at 4.7 cu. ft. (overall AHAM)
- ★ - Fastest preheat in the luxury segment (around 7 minutes)
- ★ - Superfast 2-hour self clean mode—fastest on the market

### PERFORMANCE

- True Convection offers precise airflow for cooking on multiple levels without flavor transfer (upper oven in ME302—lower oven features convection only; True Convection in both ovens in MED302)
- 1 Full Access® telescopic rack holds up to 45 pounds, integrated easy-grip handle in ME302
- NEW 3 Full Access® telescopic racks that hold up to 45 pounds and feature integrated easy-grip handles in MED302
- No preheat needed—Industry leading Speed Convection system reduces cooking time by 30%
- CookControl temperature probe
- EasyCook offers 20 pre-programmed recipes
- Powerful halogen lighting illuminates the oven cavity in ME302
- SoftLight—Powerful halogen light with automatic dimming in MED302
- 10-pass recessed broil element with 3,500 Watt
- 13 advanced cooking modes
- Advanced culinary modes—Warm, Proof and Dehydrate
- Fast Preheat available for 5 cooking modes
- Large oven door window for maximum viewing
- Timer offers automatic delay start mode
- Hidden bake element for easy cleaning
- Digital indicator shows progress of preheat cycle
- Six adjustable rack levels for multiple item cooking
- NEW Star-K certified

### DESIGN

- NEW Side strips, manifold and exhaust baffle now in bold stainless steel design
- Modern angular design
- Premium glass touch control
- Striking blue full text display
- Masterpiece® Handle on model ME302JS and MED302JS
- Professional Handle on model ME302JP and MED302JP

### ★ THERMADOR EXCLUSIVE

# BUILT-IN OVENS 30-INCH DOUBLE

ME302JS / ME302JP / MED302JS / MED302JP

## INSTALLATION OPTIONS

### WALL-MOUNTED INSTALLATION

Thermador 30-inch Double Ovens may be installed in a wall cabinet that is a minimum of 24" deep and 30" wide. The cabinet base must be flat and capable of supporting a weight of at least 390 lbs. (177 kg).

Thermador 30-inch Double Ovens may also be installed above a Thermador Warming Drawer to create a convenient cooking center. Refer to the warming drawer section for additional specifications.

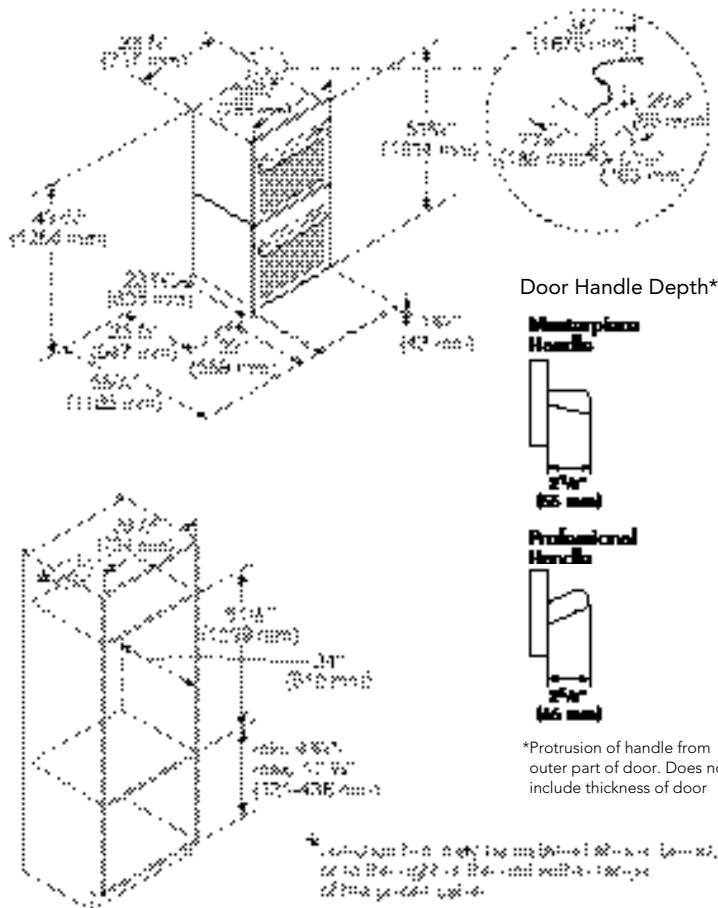
### IMPORTANT

When a Thermador Oven is installed at the end of a cabinet run, adjacent to a perpendicular wall or cabinet door, it is good practice to allow at least 1/4" space between the side of the oven and the wall or door.

For oven support, install 2 x 4's extending front to back flush with the bottom and the side of the opening. The supporting base must be well secured to the floor/cabinet and level.

The cabinet base must be flat and capable of supporting a weight of at least 390 lbs. (177 kg) for a 30-inch double oven.

## 30-INCH DOUBLE OVEN



# BUILT-IN OVENS 30-INCH DOUBLE COMBINATION

PODM301J / MEDMC301JS / MEDMC301JP



## PROFESSIONAL

PODM301J

True Convection Oven and Convection Microwave, Rotisserie, 2 Telescopic Racks, SoftLight

Products available April 2012. For our current collection of Ovens, refer to Volume 1 of the Kitchen Design and Planning Guide or visit [thermador.com](http://thermador.com) or your local dealer for details.



## MASTERPIECE

MEDMC301JS

Masterpiece Handle

MEDMC301JP

Professional Handle

True Convection Oven and Convection Microwave, 2 Telescopic Racks, SoftLight

(shown with Masterpiece Handle)

## SPECIFICATIONS

	PODM301J	MEDMC301JS MEDMC301JP
Product Width	29 3/4"	
Product Height	50"	
Product Depth	23 7/8"	
Door Clearance	22"	
Overall Oven Interior Capacity* (cu. ft.)	4.7	
Overall Oven Interior Dimensions (W x H x D)	25" x 17 7/8" x 17 7/8"	
Usable Oven Interior Dimensions (W x H x D)	22 3/4" x 14 3/8" x 17 1/4"	22 3/4" x 12 3/4" x 17 1/4"
Microwave Interior Capacity (cu. ft.)	1.5	
Min. Cabinet Width	30"	
Min. Cabinet Depth	24"	
Cutout Width	28 1/2"	
Cutout Height	49 1/2"	
Min. Base Support (lbs.)	310	
Trim Overlaps (top - bottom - sides)	1/2" - 1/8" - 5/8"	
Electrical Supply	240/208V AC, 60Hz	
Required Circuit Breaker	50 Amp	
Conduit	50" Flexible 4-Wire	
Electrical Rating	10.2 kW @ 240V 10.2 kW @ 208V	
Shipping Weight (lbs.)	287	

\*According to AHAM Standards

## ACCESSORIES

TLSCPRCK30  
30-Inch Oven Telescopic Rack

## PODM301J

### INNOVATION

- ★ - NEW SoftClose® door ensures ultra smooth closing of the oven door
- ★ - Largest commercial style rotisserie with 12 pound capacity
- ★ - Maxbroil—Largest, most powerful broil element on the market
- ★ - Massive Capacity—Largest oven cavity at 4.7 cu. ft. (overall AHAM)
- ★ - Fastest preheat in the luxury segment (around 7 minutes)
- ★ - Superfast 2-hour self clean mode—fastest on the market

### PERFORMANCE

- True Convection offers precise airflow for cooking on multiple levels without flavor transfer
- NEW 2 Full Access® telescopic racks that hold up to 45 pounds and feature integrated easy-grip handles
- No preheat needed—Industry leading Speed Convection system reduces cooking time by 30%
- CookControl temperature probe
- 12 advanced professional cooking modes
- SoftLight—Powerful halogen light with automatic dimming
- Advanced culinary modes—Warm, Proof and Dehydrate
- Fast Preheat available for 5 cooking modes
- Electronic oven control ensures precise heating
- Large oven door window for maximum viewing
- Timer offers automatic delay start mode
- Hidden bake element for easy cleaning
- Seven adjustable rack levels for multiple item cooking
- NEW Star-K certified

### DESIGN

- NEW Side strips, manifold, exhaust baffle and chronometer now in bold stainless steel design
- Professional style chronometer
- Restaurant style stainless steel knobs and handle
- Bold chiseled professional design
- Blue electronic graphic display controls all timer functions
- See MCES for Microwave feature

## MEDMC301JS / MEDMC301JP

### INNOVATION

- ★ - NEW SoftClose® door ensures ultra smooth closing of the oven door
- ★ - Massive Capacity—Largest oven cavity at 4.7 cu. ft. (overall AHAM)
- ★ - Fastest preheat in the luxury segment (around 7 minutes)
- ★ - Superfast 2-hour self clean mode—fastest on the market

### PERFORMANCE

- True Convection offers precise airflow for cooking on multiple levels without flavor transfer
- NEW 2 Full Access® telescopic racks that hold up to 45 pounds and feature integrated easy-grip handles
- No preheat needed—Industry leading Speed Convection system reduces cooking time by 30%
- CookControl temperature probe
- EasyCook offers 20 pre-programmed recipes
- SoftLight—Powerful halogen light with automatic dimming
- 10-pass recessed broil element with 3,500 Watt
- 13 advanced cooking modes
- Advanced culinary modes—Warm, Proof and Dehydrate
- Fast Preheat available for 5 cooking modes
- Large oven door window for maximum viewing
- Timer offers automatic delay start mode
- Hidden bake element for easy cleaning
- Digital indicator shows progress of preheat cycle
- Six adjustable rack levels for multiple item cooking
- NEW Star-K certified

### DESIGN

- NEW Side strips, manifold and exhaust baffle now in bold stainless steel design
- Modern angular design
- Premium glass touch control
- Striking blue full text display
- See MCES for Microwave feature

★ THERMADOR EXCLUSIVE



# BUILT-IN OVENS 30-INCH DOUBLE COMBINATION

PODM301J / MEDMC301JS / MEDMC301JP

## INSTALLATION OPTIONS

### WALL-MOUNTED INSTALLATION

Thermador 30-inch Double Combination Ovens may be installed in a wall cabinet that is a minimum of 24" deep and 30" wide. The cabinet base must be flat and capable of supporting a weight of at least 310 lbs. (141 kg).

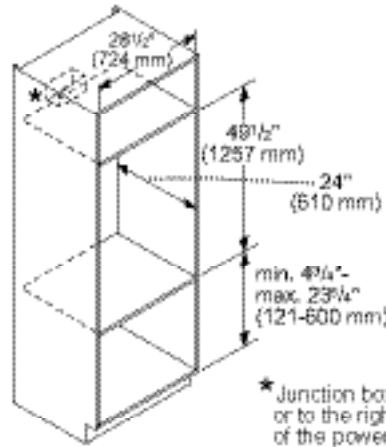
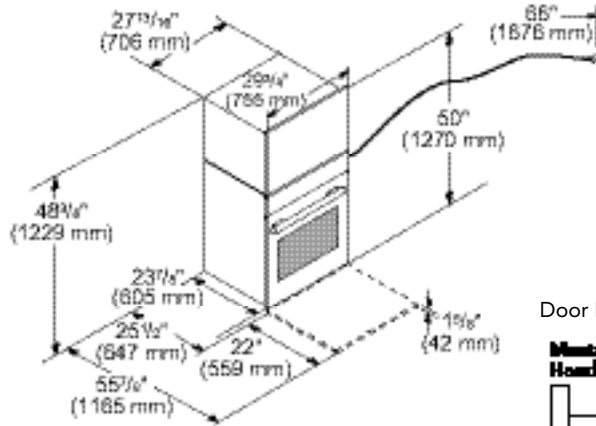
### IMPORTANT

When a Thermador Oven is installed at the end of a cabinet run, adjacent to a perpendicular wall or cabinet door, it is good practice to allow at least 1/4" space between the side of the oven and the wall or door.

For oven support, install 2 x 4's extending front to back flush with the bottom and the side of the opening. The supporting base must be well secured to the floor/cabinet and level.

The cabinet base must be flat and capable of supporting a weight of at least 310 lbs. (141 kg) for a 30-inch double combination oven.

## 30-INCH DOUBLE COMBINATION OVEN WITH MICROWAVE



Door Handle Depth\*

**Masterpiece Handle**



**Professional Handle**



\*Protrusion of handle from outer part of door. Does not include thickness of door

\* Junction box may be installed above, below, or to the right of the unit within range of the power cable.

# BUILT-IN OVENS

## 30-INCH TRIPLE COMBINATION

PODMW301J / MEDMCW31JS / MEDMCW31JP



### ★ PROFESSIONAL

PODMW301J

- True Convection Oven
- Convection Microwave and Warming Drawer
- Rotisserie
- 2 Telescopic Racks
- SoftLight

Products available April 2012. For our current collection of Ovens, refer to Volume 1 of the Kitchen Design and Planning Guide or visit thermador.com or your local dealer for details.

### ★ MASTERPIECE

MEDMCW31JS

Masterpiece Handle

MEDMCW31JP

Professional Handle

- True Convection Oven
- Convection Microwave and Warming Drawer
- 2 Telescopic Racks
- SoftLight

(shown with Professional Handle)

### SPECIFICATIONS

	PODMW301J	MEDMCW31JS MEDMCW31JP
Product Width	29 3/4"	
Product Height	61 3/8"	
Product Depth	23 7/8"	
Door Clearance	22"	
Overall Oven Interior Capacity* (cu. ft.)	4.7	
Overall Oven Interior Dimensions (W x H x D)	25" x 17 7/8" x 17 7/8"	
Usable Oven Interior Dimensions (W x H x D)	22 3/4" x 12 3/4" x 17 1/4"	
Microwave Interior Capacity (cu. ft.)	1.5	
Warming Interior Capacity (cu. ft.)	2.6	
Min. Cabinet Width	30"	
Min. Cabinet Depth	24"	
Cutout Width	28 1/2"	
Cutout Height	60 3/4"	
Min. Base Support (lbs.)	429	
Trim Overlaps (top - bottom - sides)	5/8" - 0" - 5/8"	
Electrical Supply	240/208V AC, 60Hz	
Required Circuit Breaker	50 Amp	
Conduit	50" Flexible 4-Wire	
Electrical Rating	10.5 kW @ 240V 10.5 kW @ 208V	
Shipping Weight (lbs.)	364	

\*According to AHAM Standards

### PODMW301J

#### INNOVATION

- ★ - NEW SoftClose® door ensures ultra smooth closing of the oven door
- ★ - Largest commercial style rotisserie with 12 pound capacity
- ★ - Maxbroil – Largest, most powerful broil element on the market
- ★ - Massive Capacity – Largest oven cavity at 4.7 cu. ft. (overall AHAM)
- ★ - Fastest preheat in the luxury segment (around 7 minutes)
- ★ - Superfast 2-hour self clean mode – fastest on the market

#### PERFORMANCE

- True Convection offers precise airflow for cooking on multiple levels without flavor transfer
- NEW 2 Full Access® telescopic racks that hold up to 45 pounds and feature integrated easy-grip handles
- No preheat needed – Industry leading Speed Convection system reduces cooking time by 30%
- CookControl temperature probe
- 12 advanced professional cooking modes
- SoftLight – Powerful halogen light with automatic dimming
- Advanced culinary modes – Warm, Proof and Dehydrate
- Fast Preheat available for 5 cooking modes
- Electronic oven control ensures precise heating
- Large oven door window for maximum viewing
- Timer offers automatic delay start mode
- Hidden bake element for easy cleaning
- Seven adjustable rack levels for multiple item cooking
- NEW Star-K certified

#### DESIGN

- NEW Side strips, manifold, exhaust baffle and chronometer now in bold stainless steel design
- Professional style chronometer
- Restaurant style stainless steel knobs and handle
- Bold chiseled professional design
- Blue electronic graphic display controls all timer functions
- See MCES for Microwave features
- See WD30JP for Warming Drawer features

### MEDMCW31JS / MEDMCW31JP

#### INNOVATION

- ★ - NEW SoftClose® door ensures ultra smooth closing of the oven door
- ★ - Massive Capacity – Largest oven cavity at 4.7 cu. ft. (overall AHAM)
- ★ - Fastest preheat in the luxury segment (around 7 minutes)
- ★ - Superfast 2-hour self clean mode – fastest on the market

#### PERFORMANCE

- True Convection offers precise airflow for cooking on multiple levels without flavor transfer
- NEW 2 Full Access® telescopic racks that hold up to 45 pounds and feature integrated easy-grip handles
- No preheat needed – Industry leading Speed Convection system reduces cooking time by 30%
- CookControl temperature probe
- EasyCook offers 20 pre-programmed recipes
- SoftLight – Powerful halogen light with automatic dimming
- 10-pass recessed broil element with 3,500 Watt
- 13 advanced cooking modes
- Advanced culinary modes – Warm, Proof and Dehydrate
- Fast Preheat available for 5 cooking modes
- Large oven door window for maximum viewing
- Timer offers automatic delay start mode
- Hidden bake element for easy cleaning
- Digital indicator shows progress of preheat cycle
- Six adjustable rack levels for multiple item cooking
- NEW Star-K certified

#### DESIGN

- NEW Side strips, manifold and exhaust baffle now in bold stainless steel design
- Modern angular design
- Premium glass touch control
- Striking blue full text display
- Masterpiece Handle on model MEDMCW31JS
- Professional Handle on model MEDMCW31JP
- See MCES for Microwave features
- See WD30J for Warming Drawer features

# BUILT-IN OVENS

## 30-INCH TRIPLE COMBINATION

PODMW301J / MEDMCW31JS / MEDMCW31JP

### INSTALLATION OPTIONS

#### WALL-MOUNTED INSTALLATION

Thermador 30-inch Triple Combination Ovens may be installed in a wall cabinet that is a minimum of 24" deep and 30" wide. The cabinet base must be flat and capable of supporting a weight of at least 429 lbs. (195 kg).

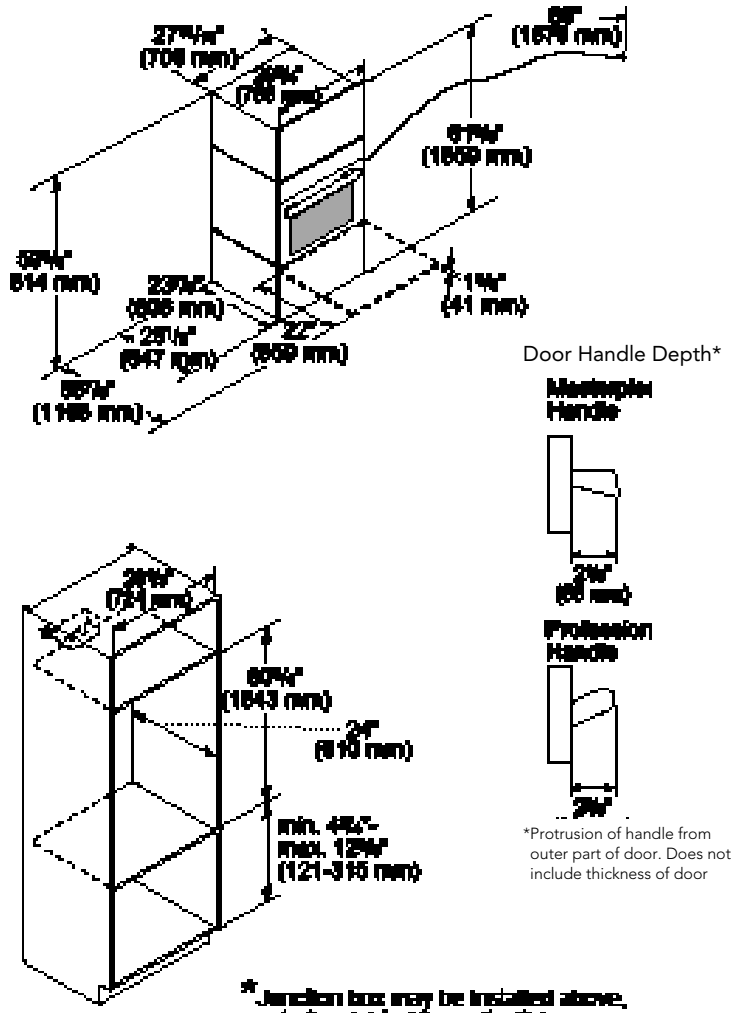
#### IMPORTANT

When a Thermador Oven is installed at the end of a cabinet run, adjacent to a perpendicular wall or cabinet door, it is good practice to allow at least 1/4" space between the side of the oven and the wall or door.

For oven support, install 2 x 4's extending front to back flush with the bottom and the side of the opening. The supporting base must be well secured to the floor/cabinet and level.

The cabinet base must be flat and capable of supporting a weight of at least 429 lbs. (195 kg) for a 30-inch triple combination oven.

### 30-INCH TRIPLE COMBINATION OVEN WITH MICROWAVE AND WARMING DRAWER



### ACCESSORIES



TLSCPRCK30  
30-Inch Oven Telescopic Rack