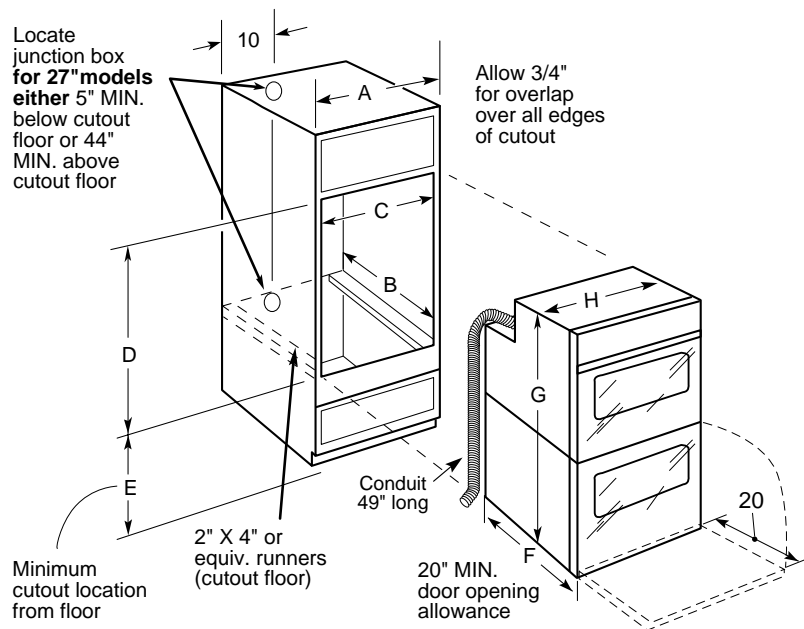




GE Appliances

JKP48BF/CF/WF – GE 27" Built-In Double Oven

27" Built-In Double Oven Dimensions (in inches)

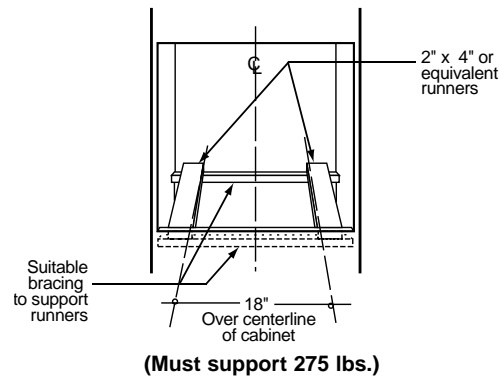


Note: Cabinets installed adjacent to wall ovens must have an adhesion spec of at least a 194°F temperature rating.

Note: If marks, blemishes or the cutout opening is visible above the installed oven, it may be necessary to add wood shims under the runners and front trim until the marks or openings are covered.

Electric wall ovens are not approved for installation with a plug and receptacle. They must be hard wired in accordance with installation instructions.

Specification Created 7/02



KW Rating	
240V	6.8
208V	5.1
Breaker Size	
240V	30 Amps
208V	30 Amps

Cabinet	27"
A – Cabinet Width Required	27" min.
B – Minimum Cabinet Depth	23-5/8"
C – Opening Width	25" min. - 25-1/4 max.
D – Opening Height	50-1/8" max.
E – Recommended Minimum Cutout Location from Floor	13-1/4"
Oven	
F – Overall Depth	23-5/8"
G – Overall Height	w/o trim 50-1/4" with trim 51"
H – Overall Width	26-5/8"

Installation Information: Before installing, consult installation instructions packed with product for current dimensional data.

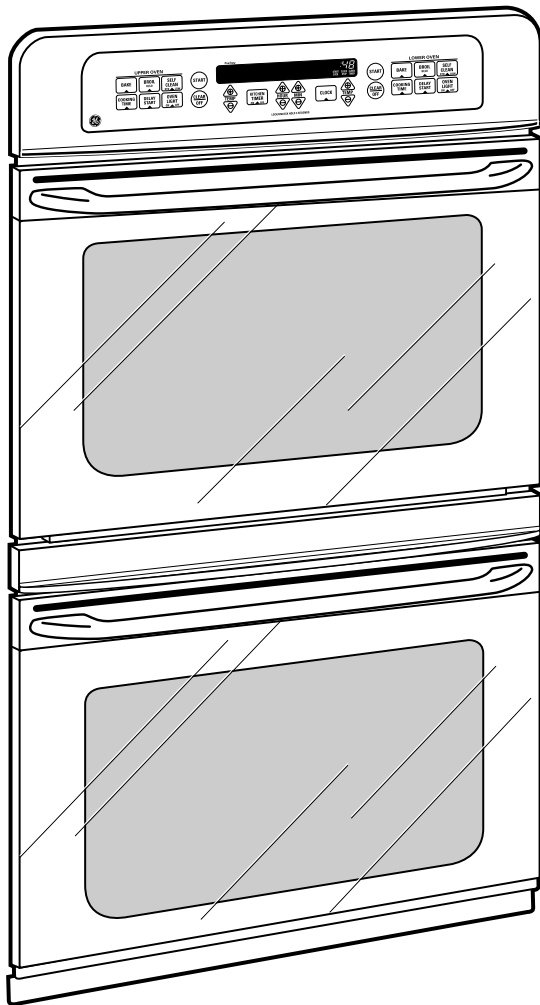
For answers to your Monogram®, GE Profile™ or GE appliance questions, visit our website at GEAppliances.com or call GE Answer Center® service, 800.626.2000.





GE Appliances

JKP48BF/CF/WF – GE 27" Built-In Double Oven



Features and Benefits

- TrueTemp™ System
- 2 Extra-Large 3.9 cu. ft. Capacity Self-Cleaning Ovens
- 2 Oven Racks with 4 Embossed Positions in Each Oven
- SmartSet Electronic Oven Controls
- Six-Pass Bake Element and Interior Oven Light
- True Frameless Glass Oven Doors with Big ClearView™ Windows
- Certified Sabbath Mode
- Installation Flexibility
- Model JKP48WFWW – White on white
- Model JKP48BFBB – Black on black
- Model JKP48CFCC – Bisque on bisque

Specification Created 7/02