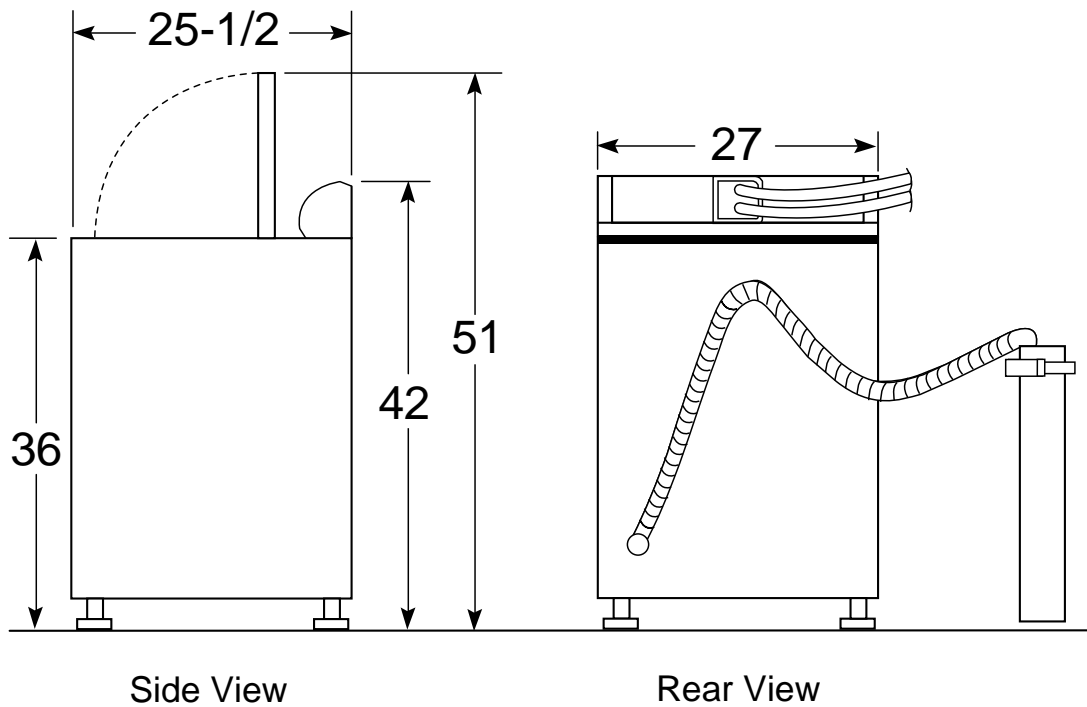




GE Appliances

## WDSR2080DCC/WW – GE® Super 3.2 Cu. Ft. Capacity Washer

Dimensions (in inches)



### Circuit Requirements:

An individual, properly-grounded branch circuit, with a three-prong grounding-type receptacle, protected by a 15 or 20 amp circuit breaker or a time-delay fuse, is required.

### Electrical Rating:

115V, 60Hz, 10A

### Washer Note:

Washer wall outlet must be located within 36" of service cord entry. Wall outlet must not be located behind dryer.

### Installation Information:

For complete information, see installation instructions packed with your washer.

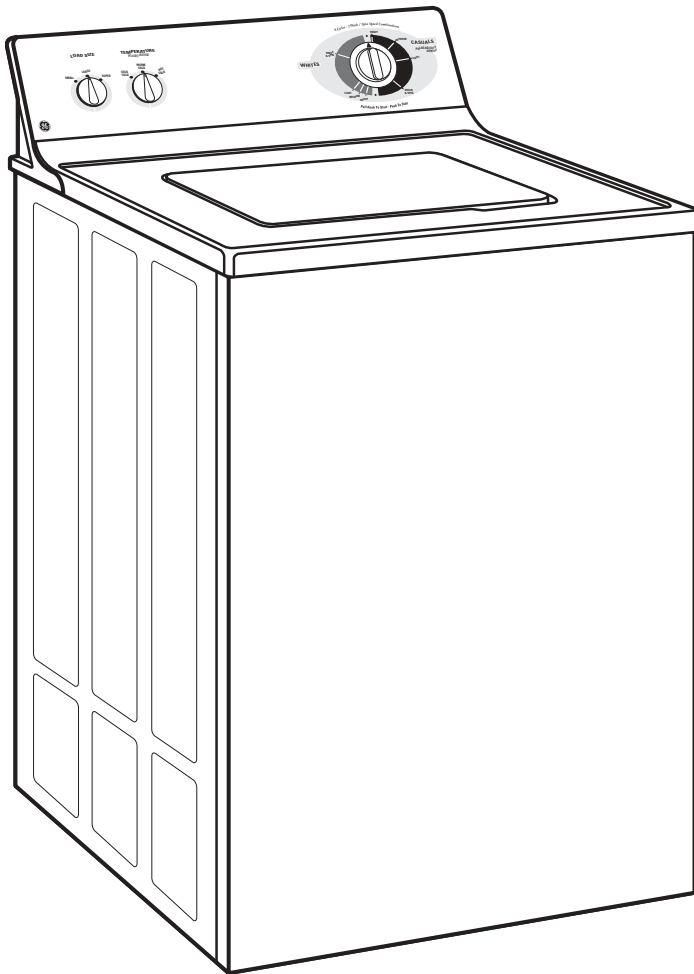


For answers to your Monogram®, GE Profile™ or GE® appliance questions, visit our website at [GEAppliances.com](http://GEAppliances.com) or call GE Answer Center® service, 800.626.2000.



**GE Appliances**

## **WDSR2080DCC/WW – GE® Super 3.2 Cu. Ft. Capacity Washer**



### **Features and Benefits**

- Rotary electromechanical controls – Allow fast, easy cycle selection.
- Two pulse spin speeds – Alternate between high and low speeds for better clothes care.
- Eight wash cycles – Convenient, preprogrammed settings for everyday fabrics.
- Bleach Dispenser – Automatically mixes bleach with wash water for proper bleaching action.
- Three Water Levels – Minimize water waste.
- FlexCare™ Agitator – Provides gentle, yet effective washing action.
- Spin Only Option – “Spin-dries” wet clothes like beach towels and swimsuits.
- Rinse and Spin – A fast, convenient way to remove odors and residue from items like swimsuits and towels.
- Color lid instructions – Offer easy-to-follow clothing care tips.
- Quiet-By-Design™ – Engineered for quiet operation.
- Model WDSR2080DWW – White on white
- Model WDSR2080DCC – Bisque on bisque