

Fisher & Paykel

Designer canopy

HC36DTXB1 & HC48DTXB1 model

Campana extractora decorativa

HC36DTXB1 & HC48DTXB1 modelo

Hotte aspirante décorative

HC36DTXB1 & HC48DTXB1 modèle

**Installation instructions
and User guide (EN)**

**Instrucciones para la instalación
y su uso (ES)**

**Conseils d'installation
et guide d'utilisation (FR)**

EN English

Page 3 – 13

ES Español

Page 15 – 25

FR Français

Pág 27 – 37

Safety and warnings	4
Installation instructions	6
Four-speed control panel with digital indicator	9
Cleaning and maintenance	10
Limited warranty	11

Important!

SAVE THESE INSTRUCTIONS

The models shown in this User Guide may not be available in all markets and are subject to change at any time. For current details about model and specification availability in your country, please visit our local website listed on the back cover or contact your local Fisher & Paykel dealer.

Safety and warnings

Installation instructions

READ AND SAVE THESE INSTRUCTIONS.

WARNING – to reduce the risk of fire, electric shock or injury to persons, observe the following:

⚠ WARNING!



Electrical Shock Hazard

Installation work and electrical wiring must be done by qualified person(s) in accordance with all applicable codes and standards, including fire-rated construction.

Read and follow the SAFETY AND WARNINGS outlined in this User Guide before operating this appliance.

Failure to do so can result in death, electric shock, fire or injury to persons.

- *Sufficient air is needed for proper combustion and exhausting of gases through the flue (chimney) of fuel burning equipment to prevent back drafting. Follow the heating equipment manufacturer's guideline and safety standards such as those published by the National Fire Protection Association (NFPA), the American Society for Heating, Refrigeration and Air Conditioning Engineers (ASHRAE) and local code authorities.*
- *When cutting or drilling into wall or ceiling, do not damage electrical wiring or other hidden utilities.*
- *Ducted fans must always be vented to the outdoors.*
- *Use only metal ductwork.*
- **WARNING: To reduce risk of fire and to properly exhaust air, be sure to duct air outside.**
 - *Do not vent exhaust air into spaces within walls or ceilings or into attics, crawl spaces or garages.*

Important safety instructions

- **WARNING: Disconnect the rangehood from power supply before servicing.**

WARNING – to reduce the risk of fire, electric shock or injury to persons, observe the following:

- *Do not use this fan with any solid state speed control device.*
- *Use this unit only in the manner intended by the manufacturer. If you have questions, contact the manufacturer. For residential use only.*
- *Before servicing or cleaning unit, switch power off at service panel and lock service panel to prevent power from being switched on accidentally. When the service disconnecting means cannot be locked, securely fasten a prominent warning device, such as a tag to the service panel.*

- **CAUTION:** For general ventilating use only. Do not use to exhaust hazardous or explosive materials and vapors.
- **CAUTION:** To reduce the risk of fire, use only metal duct work.

WARNING – to reduce the risk of a range top grease fire:

- Never leave surface units unattended at high settings. Boilovers cause smoking and greasy spillovers that may ignite. Heat oils slowly on low or medium settings.
- Always turn hood on when cooking at high heat or when flambeing food (i.e. Crepes Suzette, Cherries Jubilee, Peppercorn Beef Flambé).
- Clean ventilating fans frequently. Grease should not be allowed to accumulate on fan or filter.
- Use proper pan size. Always use cookware appropriate for the size of the surface element.

WARNING – to reduce the risk of injury to persons in the event of a range top grease fire, observe the following:

- **Smother flames with a close-fitting lid, cookie sheet or metal tray, then turn off the burner. Be careful to prevent burns. If the flames do not go out immediately, evacuate and call the fire department.**
- **Never pick up a flaming pan – you may be burned.**
- **Do not use water, including wet dishclothes or towels – a violent steam explosion will result.**
- **Use an extinguisher only if:**
 - You know you have a Class ABC extinguisher, and you already know how to operate it.
 - The fire is small and contained in the area where it started.
 - The Fire Department is being called.
 - You can fight the fire with your back to an exit.

WARNING – sufficient air is needed for proper combustion and exhausting of gases through the flue (chimney) of fuel burning equipment to prevent back drafting. Follow the heating equipment manufacturer's guidelines and safety standards such as those published by National Fire Protection Association (NFPA), and the American Society for Heating, Refrigeration and Air Conditioning Engineers (ASHRAE) and local code authorities.

The manufacturer declines all liability in cases where the instructions for the appropriate installation, maintenance and use of the extractor hood are not observed.

Decorative extractor hoods

Dear client:

We are sure that the purchase of our rangehood will fully satisfy all of your needs. Please read this instruction manual carefully in order to obtain the best results from the use of the hood.

Important

- Proof of purchase is required before a warranty claim will be accepted.

General indications

- Before installing and using the hood, be sure that the voltage (V) and the frequency (Hz) indicated on the feature plate match the voltage and frequency at the installation site.
- The feature plate and technical data are shown on the inside of the product.
- This hood is equipped with an adjustable chimney cover which allows it to be adjusted to the height of the ceiling.

Wall mounting

- 1 Please remove the polyfoam protection piece (from behind the motor) before use.
- 2 Connect the outlet adapter supplied with the hood (6" diameter) to an exhaust duct connected directly to the outside (Fig.2).
- 3 Screw on the connection box following (Fig.2a) with the two $\frac{1}{8}'' \times \frac{11}{16}''$ screws supplied in the box of accessories.
- 4 The accessories needed to install the hood are inside the hood.
- 5 Drill holes in the wall using a $\frac{1}{4}''$ drill bit.
- 6 The anchors and screws needed to hang the hood are contained in the bag of accessories supplied with the hood.
- 7 This fan shall be mounted a minimum of 22" above the heat source.

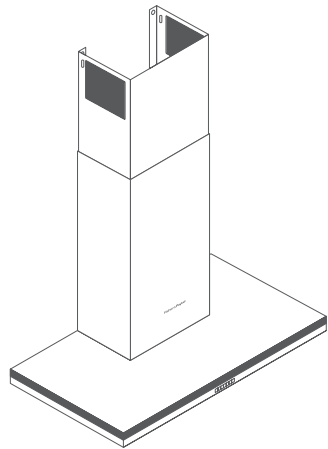


Fig.1 HC36DTXB1 Designer canopy

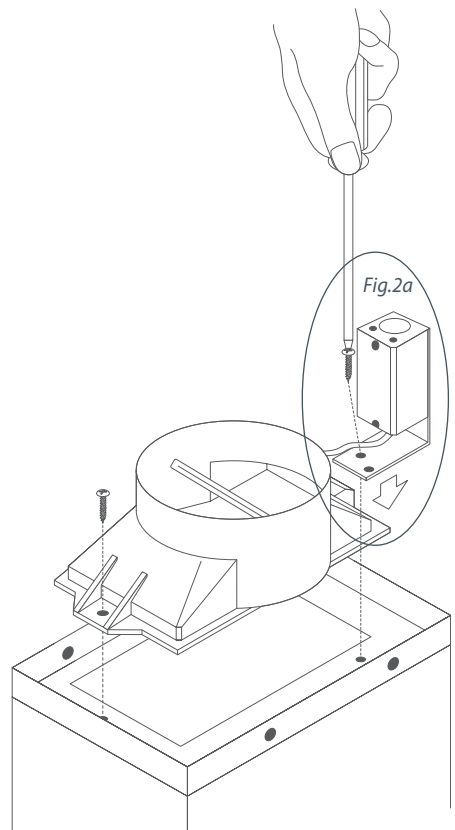


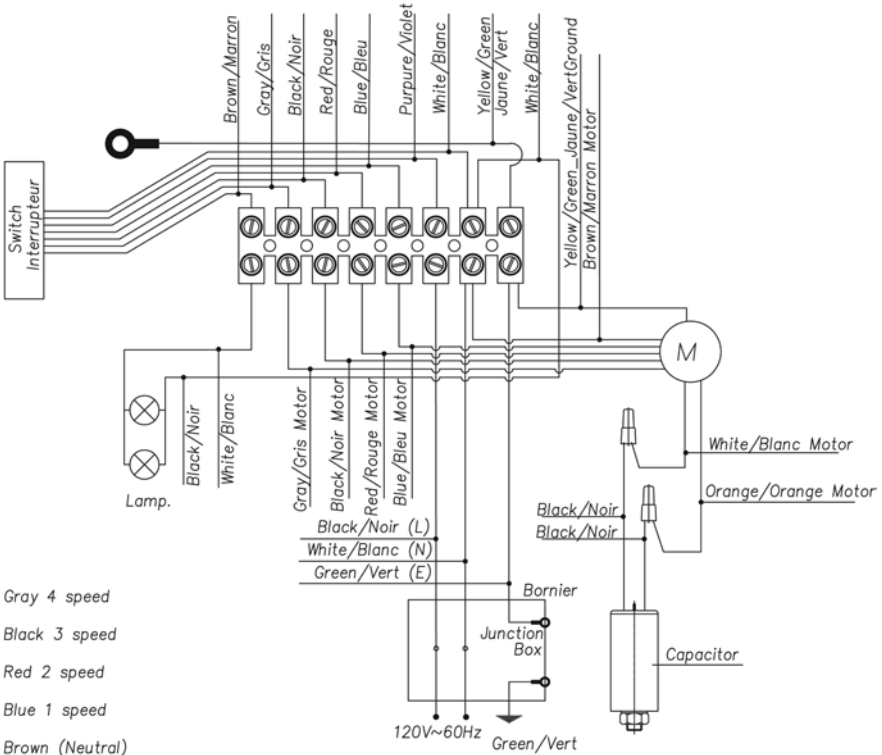
Fig.2 Connect the outlet adapter to the exhaust duct

Electrical connection

Important!

Be certain all wiring complies with local codes and the unit is properly grounded.

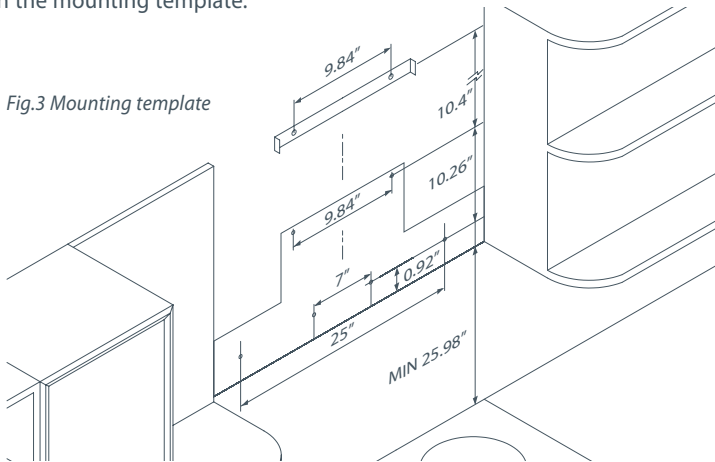
- 1 Run three wires, two for the power supply and the ground wire, from the connection box on the canopy to a power connection point near the installation.



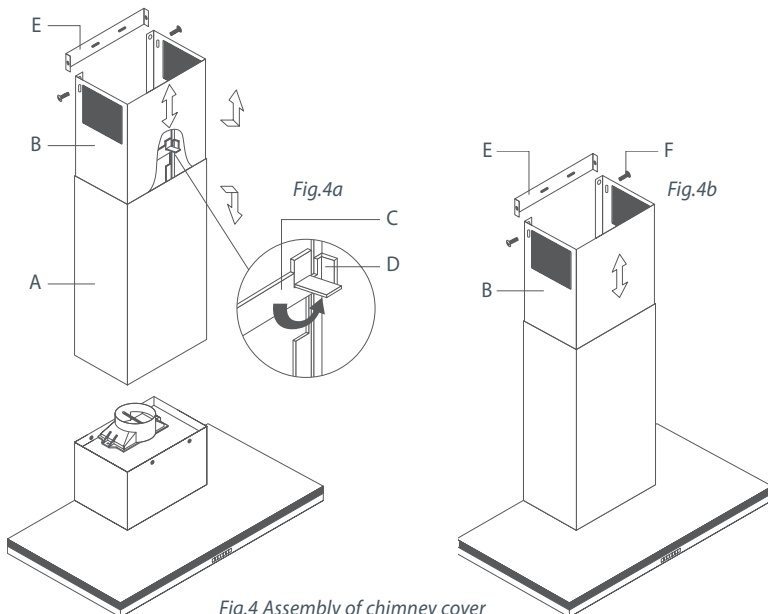
- 2 Using approved wiring connectors, connect the power conductors to the conductors for the fan: black to black and white to white.
- 3 Connect the grounding wire (green or bare) to the Ground conductor (green) of the fan distribution box.

Assembly of chimney cover

- 1 Mark the wall at the location of support C (Fig.4a) according to the heights and specifications shown on the mounting template.



- 2 Drill holes in the wall, place anchors in the holes and attach support C with screws (Fig.4a).
- 3 Place tube A with the extendible part B hanging on the inside, making sure that flange D is correctly lodged in the support C (Fig.4a).
- 4 Next, secure support E to the upper end of the wall, making sure that it is properly aligned with the extendible tube. Extend the movable part of tube B until it reaches support E and connect to the support with the two side screws F (Fig.4b).



This panel is situated on the front of the rangehood and includes:

- Button for the light (ref. A).
- On/off button of the motor (ref. B).
- Button for reducing the motor speed (ref. C).
- Motor speed indicator (ref. D).
- Button for increasing the motor speed (ref. E).
- Button for directly activating the TURBO speed of the motor (ref. F).
- Button for setting the timer of the motor (ref. G).

The hood will operate for 5 minutes at the current speed and 5 minutes at each of the lower speeds until coming to a complete stop.

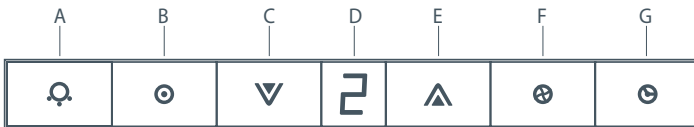


Fig.4 Four-speed control panel

Important!

During an electrostatic discharge (ESD) it is possible that the device will stop working. By switching the device OFF an ON the device will again work as intended. There is no risk and no risk will appear.

IMPORTANT!

Disconnect the power before cleaning or servicing.

Cleaning

- Clean the external part with a mild, liquid detergent and avoid the use of abrasive cleaning products.

Changing the light

- 1 Before changing the light make sure that the hood is not operating.
- 2 Remove the grease filter.
- 3 Replace the light with a light bulb no more powerful than that specified in the Technical Characteristics.
- 4 Place the grease filter back into position.

IMPORTANT!

If the halogen lamps need replacing, they must be replaced by lamps with an aluminium reflector, never dichroic lamps, to avoid unnecessary overheating in the lamp holders.

Cleaning the grease filter

- Depending on use, and at least once a month, the grease filters should be disassembled (Fig.5) and cleaned in a dishwasher or with hot soapy water. If washed in a dishwasher they should be placed in an upright position to prevent food remains from falling on them.
- After rinsing and drying, replace the filters by following the steps for disassembly in reverse order.

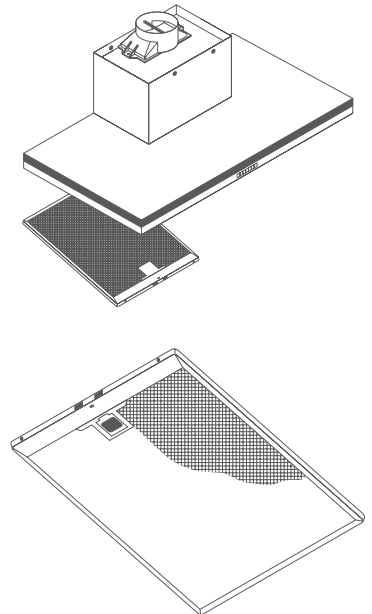


Fig.5 Grease filters

When you purchase any new Fisher & Paykel whiteware product for personal or consumer use you automatically receive a one year limited warranty covering parts and labor for servicing within the 48 mainland United States, Hawaii, Washington DC and Canada. In Alaska the limited warranty is the same except that you must pay to ship the product to the service shop or the service technician's travel to your home. Products for use in Canada must be purchased through the Canadian distribution channel to ensure regulatory compliance.

If the product is installed in a motor vehicle, boat or similar mobile facility, you receive the same one year limited warranty, but you must bring the vehicle, boat or mobile facility containing the product to the service shop at your expense or pay the service technician's travel to the location of the product.

Fisher & Paykel undertakes to:

Repair without cost to the owner either for material or labor any part of the product, the serial number of which appears on the product, which is found to be defective. In Alaska, you must pay to ship the product to the service shop or for the service technician's travel to your home. If the product is installed in a motor vehicle, boat or similar mobile facility, you must bring it to the service shop at your expense or pay for the service technician's travel to the location of the product. If we are unable to repair a defective part of the product after a reasonable number of attempts, at our option we may replace the part or the product, or we may provide you a full refund of the purchase price of the product (not including installation or other charges).

This warranty extends to the original purchaser and any succeeding owner of the product for products purchased for ordinary single-family home use.

All service under this limited warranty shall be provided by Fisher & Paykel or its Authorized Service Agent during normal business hours.

How long does this limited warranty last?

Our liability under this limited warranty expires ONE YEAR from the date of purchase of the product by the first consumer.

Our liability under any implied warranties, including the implied warranty of merchantability (an unwritten warranty that the product is fit for ordinary use) also expires ONE YEAR (or such longer period as required by applicable law) from the date of purchase of the product by the first consumer. Some States do not allow limitations on how long an implied warranty lasts, so this limit on implied warranties may not apply to you.

This warranty does not cover:

- A** Service calls that are not related to any defect in the product. The cost of a service call will be charged if the problem is not found to be a defect of the product. For example:
 1. Correcting faulty installation of the product.
 2. Instructing you how to use the product.
 3. Replacing house fuses, resetting circuit breakers, correcting house wiring or plumbing, or replacing light bulbs.
 4. Correcting fault(s) caused by the user.
 5. Changing the set-up of the product.
 6. Unauthorized modifications of the product.
 7. Noise or vibration that is considered normal, for example, fan sounds/noises or user warning beeps.
 8. Correcting damage caused by pests, for example, rats, cockroaches, etc.
- B** Defects caused by factors other than:
 1. Normal domestic use or
 2. Use in accordance with the product's User Guide.
- C** Defects to the product caused by accident, neglect, misuse, fire, flood or Act of God.
- D** The cost of repairs carried out by non-authorized repairers or the cost of correcting such unauthorized repairs.
- E** Travel fees and associated charges incurred when the product is installed in a location with limited or restricted access (eg airplane flights, ferry charges, isolated geographic areas).
- F** Normal recommended maintenance as set forth in the product's User Guide.
- G** Filter replacement except in the case of faulty parts or materials within the filter cartridge.

This product has been designed for use in a normal domestic (residential) environment. This product is not designed for commercial use (whatsoever). Any commercial use by a customer will affect this product's warranty.

If you have an installation problem contact your dealer or installer. You are responsible for providing adequate electrical, exhausting and other connection facilities.

We are not responsible for consequential or incidental damages (the cost of repairing or replacing other property damaged if the product is defective or any of your expenses caused if the product is defective). Some States do not allow the exclusion or limitation of incidental or consequential damages, so the above limitation or exclusion may not apply to you.

How to get service

Please read your User Guide. If you then have any questions about operating the product, need the name of your local Fisher & Paykel Authorized Service Agent, or believe the product is defective and wish service under this limited warranty, please contact your dealer or call us at:

USA and Canada

TOLL FREE 1.888.9.FNP.USA (1.888.936.7872)

or use the link at: www.fisherpaykel.com/locator/servicer/

You may be required to provide reasonable proof of the date of purchase of the product before the product will be serviced under this limited warranty.

No other warranties

This limited warranty is the complete and exclusive agreement between you and Fisher & Paykel regarding any defect in the product. None of our employees (or our Authorized Service Agents) are authorized to make any addition or modification to this limited warranty.

Warrantor: Fisher & Paykel Appliances, Inc.

If you need further help concerning this limited warranty, please call us at above number, or write to:

Fisher & Paykel Appliances, Inc.
5900 Skylab Road
Huntington Beach
CA 92647

This limited warranty gives you specific legal rights, and you may also have other rights which vary from state to state.

Seguridad y advertencias	16
Instrucciones de instalación	18
Panel de mando cuatro velocidades con indicador digital	21
Limpieza y mantenimiento	22
Garantía limitada	23

¡Importante!

GUARDE ESTE INSTRUCTIVO

Los modelos que se ilustran en esta Guía del Usuario pudieran no estar disponibles en todos los mercados y están sujetos a cambio en cualquier momento. Para obtener información actualizada sobre la disponibilidad de modelos y especificaciones en el país donde reside, visite nuestra página Web local que viene en la contraportada, o póngase en contacto con su distribuidor local Fisher & Paykel.

Instrucciones de instalación

LEER Y CONSERVAR ESTAS INSTRUCCIONES.

ADVERTENCIA – para reducir el riesgo de incendio, descarga eléctrica o daño para las personas, observe lo siguiente:

⚠ ¡ADVERTENCIA!



Peligro de Descarga Eléctrica

El trabajo de instalación y el cableado eléctrico deben ser realizados por personas cualificadas, de acuerdo con todos los códigos y normas aplicables, incluyendo una construcción ignífuga.

Lea y siga las SEGURIDAD Y ADVERTENCIAS que se incluyen en esta Guía del Usuario antes de operar este electrodoméstico.

El no hacerlo puede provocar la muerte, una descarga eléctrica, un incendio o causar daños personales.

- *Es necesario aire suficiente para la combustión correcta y la extracción de los gases a través del canal de humos (chimenea) del equipo de combustión para evitar el contratiempo. Siga las instrucciones del fabricante del equipo de calefacción y las normas de seguridad como las publicadas por la Asociación nacional de protección contra el fuego (NFPA) y la Sociedad americana de ingenieros de calefacción, refrigeración y aire acondicionado (ASHRAE) y las Autoridades reguladoras locales.*
- *Cuando corte o taladre en la pared o en el techo, no dañe el cableado eléctrico ni otras instalaciones de servicios ocultas.*
- *Los extractores entubados deben ventilarse siempre al exterior.*
- *Utilice sólo conductos metálicos.*
- **ATENCIÓN: Para reducir el riesgo de fuego y para extraer el aire correctamente, asegúrense que el aire sea conducido hacia el exterior.**
 - *No hacer llegar el aire extraído hacia espacios entre paredes, o techos, o dentro de áticos, espacios bajos, o garajes.*

Instrucciones de seguridad

- **ADVERTENCIA:** *Desconecte la campana de la fuente de alimentación antes de empezar a usarla.*

ADVERTENCIA – para reducir el riesgo de incendio, descarga eléctrica o daño para las personas, observe lo siguiente:

- *No utilice este extractor con ningún dispositivo de control de velocidad de estado sólido. Solamente para uso doméstico.*
- *Utilice este aparato exclusivamente de la forma prevista por el fabricante. Si tiene alguna pregunta, póngase en contacto con el fabricante.*

- *Antes de efectuar servicio o de limpiar el aparato, desconecte la alimentación en el panel de servicio y bloquee el panel de servicio para evitar que la alimentación se conecte accidentalmente. Cuando el medio de desconexión del servicio no pueda bloquearse, ajuste de forma segura un dispositivo de advertencia destacado, como por ejemplo, una señal en el panel de servicio.*
- **PRECAUCIÓN:** *Utilizar exclusivamente para ventilación general. No utilizar para la extracción de materiales y vapores peligrosos o explosivos.*
- **PRECAUCIÓN:** *Para evitar el riesgo de incendio trabaje sólo con conductos de metal.*

ADVERTENCIA – con el fin de reducir el riesgo de un incendio debido a la grasa en la parte superior:

- *Nunca deje los fogones desatendidos cuando cocine a fuego alto. Los vertidos pueden causar humo y salpicaduras de grasa que pueden prender fuego. Caliente el aceite lentamente a media o baja temperatura.*
- *Encienda siempre la campana cuando cocine con una temperatura alta o cuando cocine alimentos flameados (ej: Crepe Suzette, Cerezas al Jubille, Ternera al pimiento flameado).*
- *Limpie los ventiladores frecuentemente. No debe permitir que se acumule la grasa ni en el ventilador ni en el filtro.*
- *Use sartenes del tamaño adecuado. Siempre use utensilios de cocina apropiados para cada fogón.*

ADVERTENCIA – para reducir el riesgo de daños para las personas en caso de incendio de la grasa de la parte superior de la campana, siga los consejos siguientes:

- *Sofoque las llamas con una tapa que ajuste correctamente, una plata para galletas o bandeja metálica, después apague el quemador. Tenga cuidado para evitar quemaduras. Si las llamas no se apagan inmediatamente, evacúe y llame a los bomberos.*
- *No coja nunca un recipiente en llamas – podría quemarse.*
- *No utilice agua, incluyendo paños de cocina o toallas húmedos – podría causar una explosión de vapor violenta.*
- *Utilice un extintor solamente si:*
 - *Sabe que tiene un extintor de clase ABC y ya sabe como utilizarlo.*
 - *El fuego es pequeño y está localizado en el área donde se ha iniciado.*
 - *Se ha llamado a los bomberos.*
 - *Puede combatir el fuego de espaldas a una salida.*

ADVERTENCIA – se necesita una cantidad suficiente de aire para una adecuada combustión y extracción de gases a través de la chimenea del equipo para quemar gasoil, para prevenir que retroceda. Siga las instrucciones y estándares de seguridad del fabricante del equipo de calefacción, como las publicadas por la Asociación nacional de protección de incendios (NFPA), y la Sociedad americana de ingenieros para calefacción, refrigeración y aire acondicionado (ASHRAE) y las Autoridades locales especializadas.

El fabricante declina toda responsabilidad en caso de que no sean observadas las indicaciones descritas para la instalación, mantenimiento y uso adecuadas de la campana extractora.

Campana extractora decorativa

Estimado cliente:

Tenemos la certeza que la adquisición de nuestra campana extractora va a satisfacer plenamente sus necesidades; para ello le rogamos lea atentamente las instrucciones del manual con lo cual obtendrá un resultado óptimo en la utilización de la misma.

Importante

- Antes de aceptar una reclamación de garantía se requiere una prueba de compra.

Indicaciones generales

- Antes de instalar y usar la campana, asegurar que la tensión (V) y la frecuencia (Hz) indicadas en la placa de características correspondan a la tensión y la frecuencia del lugar de instalación.
- La placa de características y los datos técnicos se encuentran en el interior del producto.
- Esta campana se suministra con un tubo telescópico, que permite ajustarlo según la altura de la cocina.

Montaje y fijación a la pared

- 1 Por favor, retirar las piezas de protección de espuma (de atrás del motor) antes de utilizar.
- 2 Conectar la pieza cónica de salida, suministrada con la campana (diámetro 6") a un producto de evacuación conectado directamente con el exterior (Fig.2).
- 3 Atornillar la caja de conexiones según (Fig.2a) con los dos tornillos de $1/8" \times 11/16"$ que se suministran en la bolsa de accesorios.
- 4 Los accesorios necesarios para la instalación de la campana se encuentran en el interior de la misma.
- 5 Realizar los orificios en la pared usando una broca de $1/4"$.
- 6 En la bolsa de accesorios que se suministran con la campana, encontrará los tacos y los tornillos necesarios para la fijación de la misma.
- 7 Este ventilador debe montarse a un mínimo de 22 pulgadas sobre la fuente de calor.

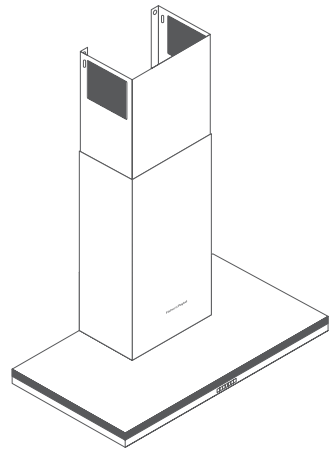


Fig.1 HC36DTXB1 Campana extractora decorativa

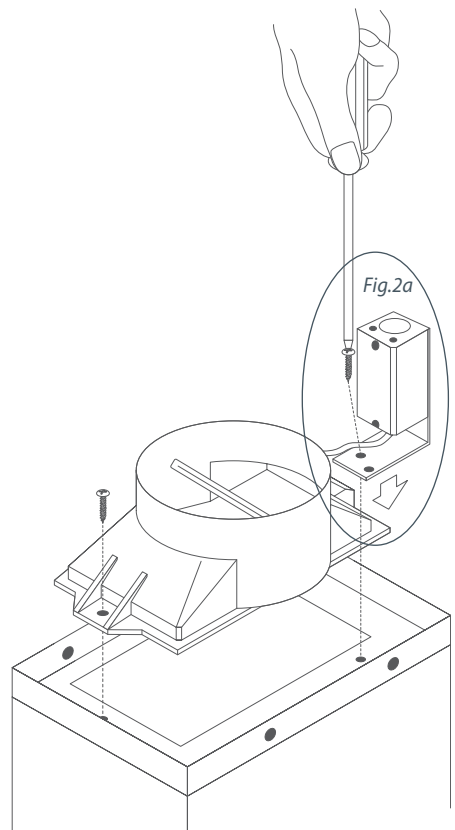


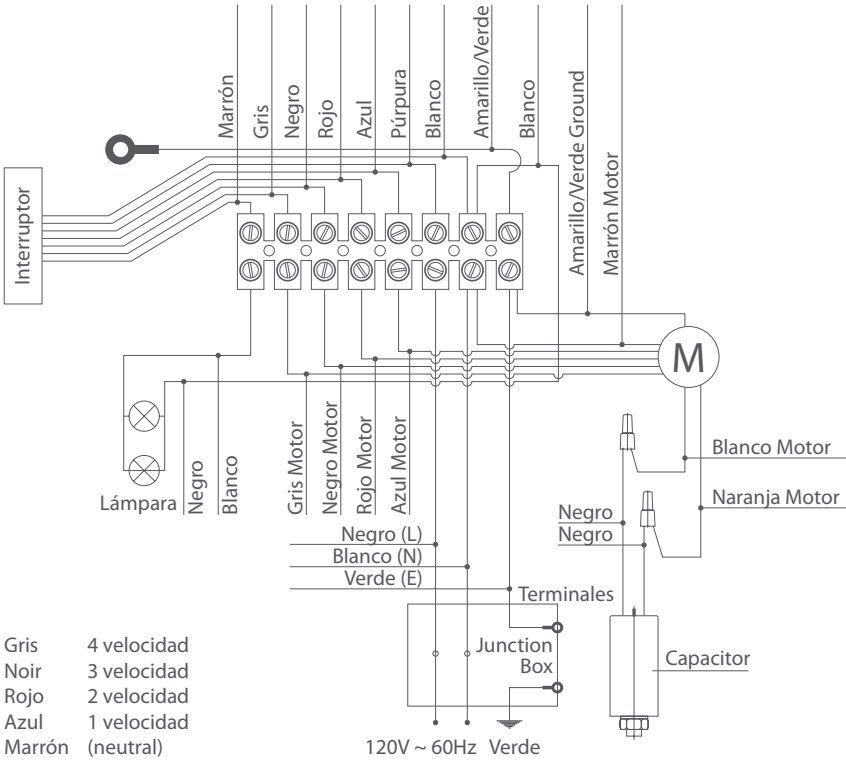
Fig.2 Conectar la pieza cónica de salida, suministrada con la campana a un producto de evacuación.

Cableado

Importante!

Asegurase que todo el cableado cumple con las leyes locales y que el aparato esté correctamente puesto a tierra.

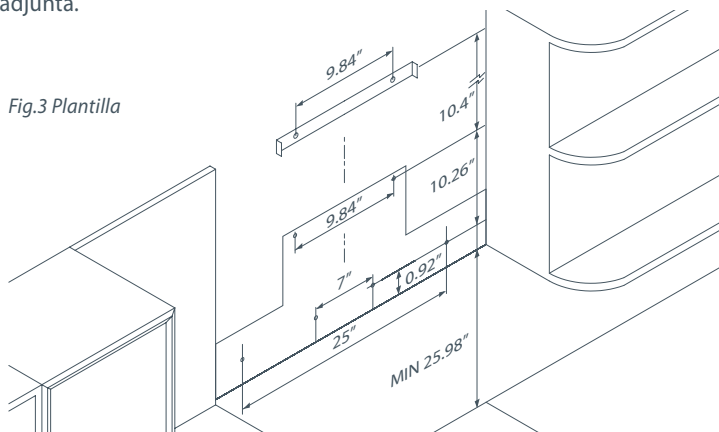
- 1 Extienda tres cables, dos de alimentación y uno de tierra, desde la caja de empalmes de la campana hasta una caja de empalmes próxima al lugar de instalación.



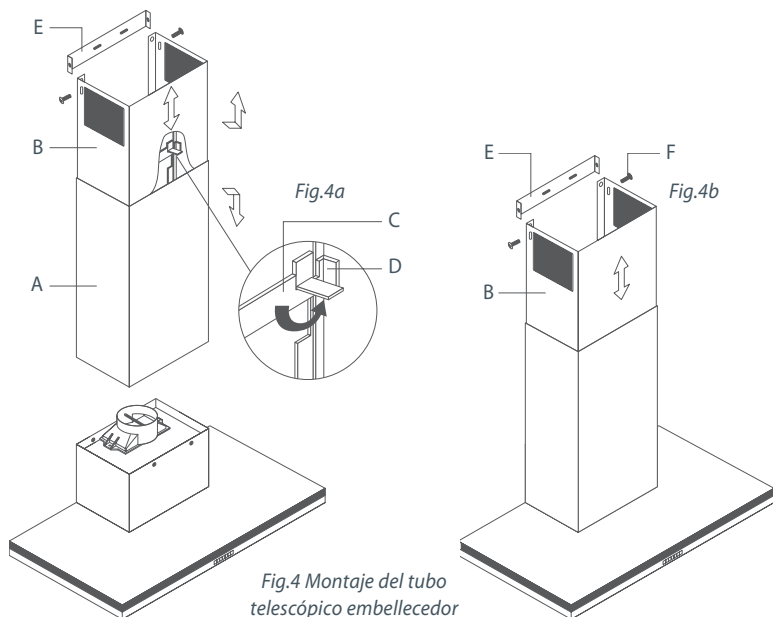
- 2 Utilizando conectores para cables homologados, conecte los conductores de alimentación a los conductores del ventilador: negro con negro y blanco con blanco.
- 3 Conecte el conductor de toma de tierra (verde o desnudo) al conductor de masa (verde) de la caja de distribución del ventilador.

ES **Montaje del tubo telescópico embellecedor**

- 1 Marcar en la pared la posición del soporte C (Fig.4a), según cotas y especificaciones de la plantilla adjunta.



- 2 Efectuar los agujeros en la pared, aplicar los tacos en los orificios y fijar el soporte C con los tornillos (Fig.4a).
- 3 Poner el tubo A con la parte telescópica B en su interior, asegurándose que la pestaña D esté correctamente alojada en el soporte C (Fig.4a).
- 4 A continuación debe fijarse el soporte E en el extremo superior de la pared asegurándose de que la alineación respecto al tubo telescópico es la correcta. Extender la parte móvil del tubo B hasta alcanzar el soporte E y fijarlo con dicho soporte mediante los dos tornillos laterales F (Fig.4b).



Este panel está situado en la parte frontal de la campana y comprende:

- Pulsador para la lámpara de iluminación (ref. A).
- Pulsador para el apagado / encendido del motor (ref. B).
- Pulsador para la reducción de la velocidad del motor (ref. C).
- Indicador de la velocidad del motor (ref. D).
- Pulsador para el aumento de la velocidad del motor (ref. E).
- Pulsador para la activación directa de la velocidad TURBO del motor (ref. F).
- Pulsador para la temporización del motor (ref. G).

La campana funcionará 5 minutos en la velocidad en curso y 5 minutos en cada una de las inferiores hasta el paro total.



Fig.4 Panel de mando cuatro velocidades

Importante!

Durante una descarga electrostática (ESD) es posible que este aparato deje de funcionar. Apague el aparato (OFF) y vuelva a encenderlo (ON) y funcionará correctamente. No hay ni habrá posibilidad de riesgo alguno.

¡IMPORTANTE!

Siempre antes de efectuar cualquier operación asegurarse de que el interruptor esté en posición de paro.

Limpieza

- Limpiar la parte externa con un detergente líquido no corrosivo y evitar el uso de productos de limpieza abrasivos.

Cambio de lámpara

- 1 Antes de sustituir la lámpara asegurarse de que la campana no esté conectada.
- 2 Quitar el filtro de grasa.
- 3 Cambiar la lámpara usando una lámpara de potencia igual a la que se indica en las características técnicas.
- 4 Colocar el filtro nuevamente en su lugar.

¡IMPORTANTE!

En caso de sustitución de las lámparas halógenas, éstas deben ser sustituidas por lámparas con reflector de aluminio, nunca por lámparas dicroicas, para evitar un sobrecalentamiento innecesario en el portalámparas.

Limpieza del filtro de grasa

- En virtud del uso y como mínimo cada mes, los filtros de grasa deberán ser desmontados (Fig.5) y lavados en lavavajillas o en agua caliente y detergente. En el caso de utilizar lavavajillas, es recomendable colocarlos en posición vertical para evitar que los restos de comida se depositen sobre el mismo.
- Después de haberlos enjuagado y secado colocarlos nuevamente en su lugar, actuando de forma inversa al desmontarlos.

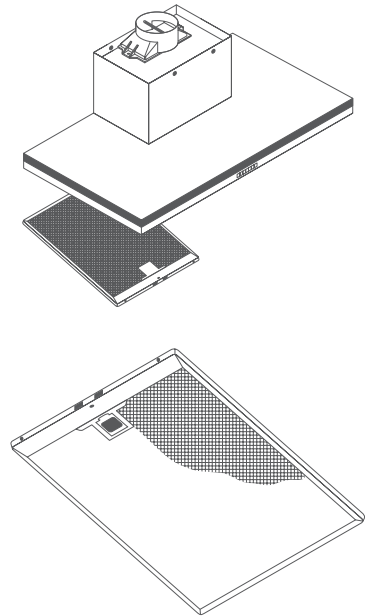


Fig.5 Los filtros de grasa

Cuando usted adquiere cualquier producto electrodoméstico nuevo Fisher & Paykel para uso personal o doméstico, usted recibe automáticamente una garantía limitada válida por un año que cubre partes y mano de obra para reparaciones dentro de los 48 Estados Unidos continentales, Hawai, Washington D.C. y Canadá. En Alaska, la garantía limitada es la misma excepto que usted debe pagar para enviar el producto al servicio técnico, o pagar el viaje del técnico de reparaciones a su casa. Los productos, para ser utilizados en Canadá, deben ser adquiridos a través del canal de distribución canadiense para asegurar el cumplimiento de las normas.

Si el producto se instala en un vehículo motorizado, bote o instalación móvil similar, usted recibe la misma garantía limitada por un año, pero debe hacerse cargo, de su propio peculio, de llevar el vehículo, bote o instalación móvil que contiene el producto al servicio técnico, o pagar el viaje del técnico de reparaciones hasta el lugar donde se encuentre el producto.

Fisher & Paykel se compromete a:

Reparar sin costo para el dueño, tanto en materiales como mano de obra, cualquier parte del producto que esté defectuosa, y cuyo número de serie aparece en el mismo. En Alaska, usted debe pagar por el envío del producto al servicio técnico, o pagar el viaje del técnico de reparaciones a su casa. Si el producto se instala en un vehículo motorizado, bote o instalación móvil similar, usted debe hacerse cargo de llevarlo al servicio técnico, de su propio peculio, o pagar el viaje del técnico de reparaciones hasta el lugar donde está el producto. Si no podemos reparar una parte defectuosa del producto después de una cantidad razonable de intentos, podemos reemplazar la parte o el producto, o podemos devolverle la totalidad del precio de compra del producto (sin incluir costos de instalación u otros costos) a nuestra total discreción.

Esta garantía es válida para el comprador original, así como para cualquier dueño subsecuente del producto, para productos adquiridos para uso doméstico normal de una sola familia.

Cualquier servicio en los términos de esta garantía limitada lo deberá proporcionar Fisher & Paykel o su Agente de Servicio Técnico Autorizado, durante el horario comercial normal.

¿Cuánto dura esta garantía limitada?

Nuestra responsabilidad en los términos de esta garantía limitada caduca al AÑO posterior a la fecha de compra del producto por el primer consumidor.

Nuestra responsabilidad en los términos de cualquier garantía implícita, incluyendo la garantía implícita de comerciabilidad (una garantía no escrita de que el producto es adecuado para uso normal) también caduca al AÑO (o período de duración más largo tal como sea requerido por la ley vigente) a partir de la fecha de compra del producto por el primer consumidor. Algunos estados no permiten limitaciones acerca de cuánto tiempo dura una garantía implícita, así que este límite sobre las garantías implícitas pudiera no aplicarse a usted.

Esta garantía no cubre:

- A Visitas del servicio técnico que no están relacionadas con defectos en el producto. Se le cobrará el costo del servicio técnico si no se encuentra que el problema sea un defecto del producto. Por ejemplo:
 1. Corregir una instalación defectuosa del producto.
 2. Enseñarle a utilizar el producto.
 3. Cambiar fusibles de la casa, resetear disyuntores de circuitos, corregir el cableado o plomería de la casa, o cambiar focos.
 4. Corregir fallas ocasionadas por el usuario.
 5. Cambiar la configuración del producto.
 6. Modificaciones no autorizadas del producto.
 7. Ruidos o vibración que se consideran normales, por ejemplo, sonidos de ventilador, ruidos o pitidos de advertencia al usuario.
 8. Corrección de daños ocasionados por plagas, p. ej., ratas, cucarachas, etc.
- B Fallas ocasionadas por factores que no sean:
 1. Uso doméstico normal o
 2. Uso de acuerdo con la Guía del Usuario del producto.
- C Fallas del producto ocasionadas por accidente, negligencia, mal uso, fuego, inundaciones o por causas de fuerza mayor.
- D El costo de las reparaciones llevadas a cabo por técnicos no autorizados, o el costo de corregir tales reparaciones no autorizadas.
- E Gastos de viaje y otros gastos relacionados, cuando se instale el producto en una zona de acceso limitado o restringido (es decir, vuelos de aviones, tarifas de ferry, áreas geográficas aisladas).
- F Mantenimiento normal recomendado según se establece en la Guía del Usuario del producto.
- G Reemplazo del filtro excepto en el caso de partes defectuosas o materiales dentro del cartucho del filtro.

Este producto fue diseñado para su uso en un entorno normal doméstico. No está previsto para uso comercial. El hacerlo puede afectar la garantía del producto.

Si tiene un problema de instalación, favor de ponerse en contacto con su proveedor o técnico. Usted es responsable de que existan las conexiones eléctricas, de escape y otras instalaciones de conexión adecuadas.

No nos hacemos responsables por daños consecuenciales o fortuitos (el costo de reparación o sustitución de cualquier otro daño a la propiedad en caso de que el producto esté defectuoso, o cualquier otro gasto en que usted haya incurrido en caso de que el producto esté defectuoso). Algunos estados no permiten la exclusión o limitación de daños fortuitos o consecuenciales, por lo que la limitación o exclusión arriba descrita pudiera no ser aplicable en su caso.

Cómo obtener servicio técnico

Por favor lea su Guía del Usuario. Si tuviera alguna pregunta acerca de cómo operar el producto, si necesita el nombre de su Técnico local de Servicio Técnico Autorizado por Fisher & Paykel, o siente que el producto está defectuoso y necesita algún servicio en los términos de esta garantía limitada, favor de ponerse en contacto con su concesionario, o llámenos sin costo al:

EE.UU.

LLAMADA SIN COSTO **1.888.9.FNP.USA (1.888.936.7872)**

o contáctenos a través de nuestro sitio en Internet: www.fisherpaykel.com

Canadá

LLAMADA SIN COSTO **1.888.9.FNP.USA (1.888.936.7872)**

o contáctenos a través de nuestro sitio en Internet: www.fisherpaykel.ca

Pudiéramos solicitarle el presentar una prueba razonable de la fecha de compra del producto, antes de proporcionararle el servicio que solicite, en los términos de esta garantía limitada.

Ninguna otra garantía

Esta garantía limitada constituye el acuerdo total y exclusivo entre usted y Fisher & Paykel en relación a cualquier defecto en el producto. Ninguno de nuestros empleados (o nuestros Agentes de Servicio Técnico Autorizados) están autorizados para anexas cláusulas o hacer modificaciones a esta garantía limitada.

Garante: Fisher & Paykel Appliances, Inc.

Si necesita más información en relación con esta garantía limitada, favor de llamarnos al número telefónico descrito más arriba, o escribanos a:

Fisher & Paykel Appliances, Inc
5900 Skylab Road
Huntington Beach
CA 92647

Esta garantía limitada le otorga derechos legales específicos, y usted puede contar también con otros derechos que varían de estado a estado.

Sécurité et mises en garde	28
Instructions d'installation	30
Panneau de commande quatre vitesses avec indicateur digital	33
Nettoyage et entretien	34
Garantie limitée	35

Important!

CONSERVEZ CES INSTRUCTIONS

Les modèles illustrés dans ce guide de l'utilisateur peuvent ne pas être offerts par tous les détaillants et sont sujets à modifications sans préavis. Pour les plus récentes informations sur la disponibilité des modèles et des caractéristiques dans votre pays, veuillez visiter notre site Web local à l'adresse indiquée sur la couverture arrière, ou contacter votre détaillant Fisher & Paykel local.

Instructions d'installation

INSTRUCTIONS À LIRE ET À CONSERVER.

ATTENTION – pour réduire le risque d'incendie, de décharge électrique ou de dommage pour les personnes, observez les points suivants:

⚠ DANGER!



Risque D'électrocution

Le travail d'installation et le câblage électrique doivent être réalisés par des personnes qualifiées, en accord avec tous les codes et les normes applicables, y compris une construction ignifuge.

Lisez et observez les SÉCURITÉ ET MISES EN GARDE contenues dans ce guide de l'utilisateur avant d'utiliser cet appareil.

Le défaut de se conformer à ces instructions peut causer la mort, un choc électrique, un incendie ou des blessures.

- *Il est nécessaire qu'il y ait suffisamment d'air pour la combustion correcte et l'extraction des gaz à travers du canal de fumées (cheminée) de l'appareil de combustion pour éviter l'effet contraire. Suivez les instructions du fabricant de l'appareil de chauffage et les normes de sécurité telles que celles publiées par l'Association nationale de protection contre le feu (NFPA) et la Société américaine d'ingénieurs de chauffage, de refroidissement et d'air conditionné (ASHRAE) et les Autorités réglementaires locales.*
- *Au moment de couper ou de trouer le mur ou le plafond, ne pas endommager le câblage électrique ni d'autres installations de services masqués.*
- *Les extracteurs tubés doivent toujours être ventilés à l'extérieur.*
- *N'utilisez que des conduites métalliques.*
- **ATTENTION: Pour diminuer le risc du feu et pour une bonne extraction de l'aire, nous vous demandons de bien vouloir vous assurer que l'aire sort conduit vers l'extérieur.**
 - *L'aire extrait ne doit pas s'envoyer vers èpaces intermurales, plafonds ou bien dans attiques, des èpaces très bas ou garages.*

Instructions de sécurité

- **ATTENTION: Déconnectez la hotte du réseau d'alimentation avant l'entretien.**

ATTENTION – pour réduire le risque d'incendie, de décharge électrique ou de dommage pour les personnes, observez les points suivants:

- *Ne pas utiliser cet extracteur avec aucun dispositif de contrôle de vitesse à état solide. RECOMMANDÉ QUE POUR L'USAGE DOMESTIQUE.*
- *Utiliser exclusivement cet appareil de la façon prévue par le fabricant. En cas de doute, veuillez contacter le fabricant.*

- Avant d'effectuer un service ou de nettoyer l'appareil, le débrancher de l'alimentation sur le panneau de service et bloquer ce dernier afin d'éviter que l'alimentation se connecte accidentellement. Si le moyen de déconnexion du service ne peut être bloqué, ajuster le plus sûrement possible un dispositif de mise en garde bien en évidence, comme par exemple un signal sur le panneau de service.
- **PRÉCAUTION:** Utiliser exclusivement pour la ventilation générale. Ne pas utiliser pour l'extraction de matières ou de vapeurs dangereuses ou explosives.
- **PRÉCAUTION:** Afin de minimiser les risques d'incendie, n'utiliser que des conduits de ventilation en métal.

ATTENTION – pour réduire le risque d'incendie de la graisse de la partie supérieure de la hotte:

- Ne jamais laisser les plaques de surface dans la position la plus haute sans surveillance. Les débordements sont à l'origine de fumée et les éclaboussures ou taches de graisse peuvent s'enflammer. Mettre l'huile à feu doux puis changer doucement à feu moyen.
- Toujours allumer la hotte lorsque vous cuisinez à plein feu ou lorsque vous faites flamber des aliments (i.e. Crêpes Suzette, Cerises Jubilee, du boeuf au poivre Flambé).
- Nettoyer fréquemment l'extracteur. Ne jamais laisser s'accumuler la graisse dans l'extracteur ou dans le filtre.
- Utiliser une casserole de taille appropriée. Toujours utiliser des ustensiles de cuisine appropriés à la taille de la plaque de surface.

ATTENTION – pour réduire le risque de dommages pour les personnes en cas d'incendie de la graisse de la partie supérieure de la hotte, procéder selon les conseils suivants:

- **Éteignez les flammes** avec un couvercle qui s'adapte correctement, un plat ou un plateau métallique, puis éteindre le brûleur. **Faites attention de ne pas vous brûler.** Si les flammes ne s'éteignent pas immédiatement, évacuez la pièce et appelez les pompiers.
- **Ne prenez jamais un récipient qui est en flammes** – vous pourriez vous brûler.
- **Ne pas utiliser d'eau, ni de torchons ou de serviettes humides** – cela pourrait causer une violente explosion de vapeur.
- Utilisez un extincteur **uniquement si**:
 - vous savez qu'il existe un extincteur de classe ABC et que vous savez vous en servir.
 - le feu est peu important et localisé dans la zone où il a commencé.
 - les pompiers ont été appelés.
 - vous pouvez combattre le feu de dos à la sortie.

ATTENTION – en vue de la combustion elle-même et de l'échappement des émanations de gaz à travers le conduit de fumée (cheminée) de l'appareil de combustion au fuel, une aération suffisante est requise de façon à prévenir le chargement de l'air. Conforme aux directives et aux standards de sécurité des fabricants d'appareils thermiques ayant été publiés par l'Association nationale pour la prévention contre les incendies (NFPA) et la Société américaine des ingénieurs du chaud, du froid et de l'air conditionné (ASHRAE), de même qu'aux réglementations prises par les Autorités locales.

Le fabricant décline toute responsabilité en cas de non-observation des normes de sécurité en vigueur, nécessaires pour le fonctionnement normal et correct de la partie électrique.

Hotte aspirante décorative

Cher client:

Nous sommes persuadés que la hotte aspirante que vous venez d'acheter va satisfaire vos besoins. Nous vous prions cependant de lire attentivement les instructions du manuel; cela vous permettra d'obtenir un résultat optimal quand vous l'utiliserez.

Important

- Il faudra présenter une preuve d'achat pour pouvoir bénéficier des services de la garantie.

Indications générales

- Avant d'installer et d'utiliser la hotte, vérifier que la tension (V) et la fréquence (Hz) indiquées sur la plaque des caractéristiques correspondent à la tension et à la fréquence des lieux.
- La plaque des caractéristiques et les renseignements techniques se trouvent à l'intérieur de l'article.
- La hotte est livrée avec un tube télescopique qui permet de la régler à la hauteur voulue.

Montage et fixation murale

- S'il vous plaît, Il faut enlever les pièces de protection (de derrière le moteur) avant d'utiliser l'appareil.
- Brancher la pièce conique de sortie, livrée avec le hotte (diamètre 6"), sur un conduit d'évacuation relié directement à l'extérieur (Fig.2).
- Visser le boîtier de connexions suivant la (Fig.2a), à l'aide de deux vis de $1/8" \times 11/16"$, fournies dans le sac des accessoires.
- Les accessoires nécessaires pour installer la hotte se trouvent à l'intérieur de l'article.
- Percer les trous dans le mur avec un foret de $1/4"$.
- Dans le sac des accessoires qui est livré avec la hotte, vous trouverez les chevilles et les vis nécessaires à sa fixation.
- Cet extracteur doit être installé au moins à 22 po au-dessus de la source de chaleur.

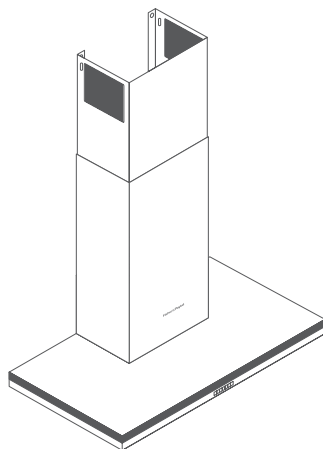


Fig.1 HC36DTXB1 Hotte aspirante décorative

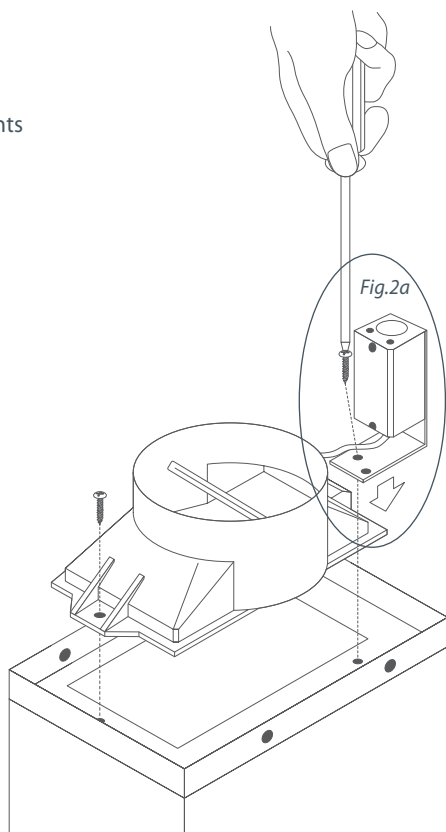


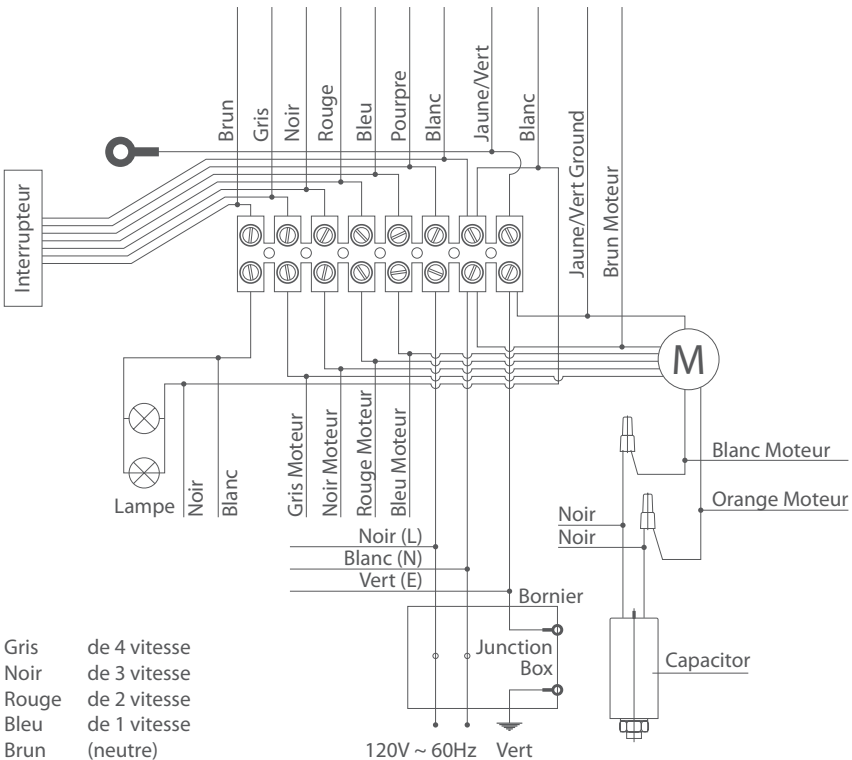
Fig.2 Brancher la pièce conique de sortie sur un conduit d'évacuation relié directement à l'extérieur.

Branchement électrique

Important!

Vérifier que le câblage soit conforme à la réglementation locale et que l'appareil soit correctement branché à une prise de terre.

- Étendre trois câbles – deux câbles d'alimentation et un câble de terre – du boîtier de branchements de la hotte jusqu'au boîtier de branchements le plus proche du lieu de l'installation.



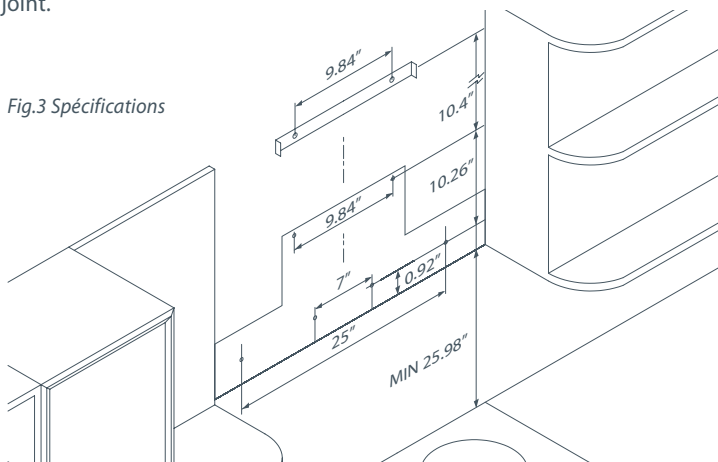
- À l'aide des connecteurs pour câbles homologués, connecter les conducteurs d'alimentation aux conducteurs du ventilateur: le noir au noir et le blanc au blanc.
- Connecter le conducteur de prise de terre (vert ou nu) au conducteur de masse (vert) de la boîte de distribution du ventilateur.

Montage du tube télescopique enjoliveur

FR

- 1 Marquer sur le mur la position du support C (fig.4a), d'après les cotes et les spécifications du patron cijoint.

Fig.3 Spécifications



- 2 Percer les trous dans le mur, placer les chevilles et fixer le support C avec les vis (Fig.4a).
- 3 Placer le tube A, la partie télescopique B étant glissée à l'intérieur, et s'assurer que le joue D soit correctement logé dans le support C (Fig.4a).
- 4 Fixer ensuite le support E à l'extrémité supérieure du mur, en veillant à l'aligner correctement par rapport au tube télescopique. Étirer la partie mobile du tube B jusqu'au support E et la fixer au support avec les deux vis latérales F (Fig.4b).

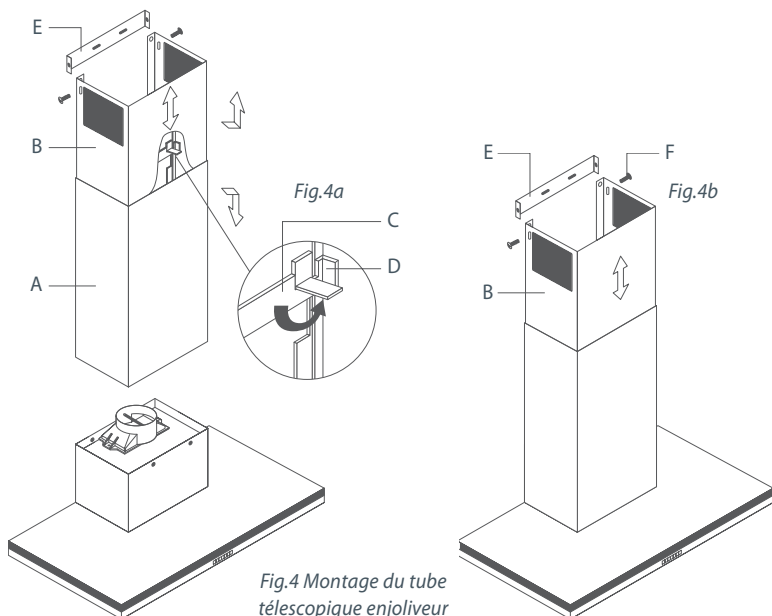


Fig.4 Montage du tube télescopique enjoliveur

Panneau de commande quatre vitesses avec indicateur digital

Ce panneau est situé sur le devant de la hotte et comprend :

- Bouton pour la lampe d'illumination (réf. A).
- Bouton pour l'arrêt/la marche du moteur (réf. B).
- Bouton pour la réduction de la vitesse du moteur (réf. C).
- Indicateur de la vitesse du moteur (réf. D).
- Bouton pour l'augmentation de la vitesse du moteur (réf. E).
- Bouton pour l'activation directe de la vitesse TURBO du moteur (réf. F).
- Bouton pour la temporisation du moteur (réf. G).
- La hotte fonctionnera 5 minutes à la vitesse en cours et 5 minutes à chacune des vitesses inférieures jusqu'à l'arrêt total.



Fig.4 Panneau de commande quatre vitesses

Important!

En cas de décharge électrostatique (modèle ESD), il est possible que la hotte cesse de fonctionner. Eteignez la hotte (OFF) et allumez-la de nouveau (ON), elle fonctionnera alors correctement. Il n'y a aucune sorte de risques en cas de décharge électrostatique.

Important!

Avant d'effectuer n'importe quelle opération, vérifier que le câble d'alimentation ne soit pas branché et que l'interrupteur soit sur la position arrêt.

Nettoyage

- Nettoyer la partie externe avec un détergent liquide non corrosif et éviter d'utiliser les produits de nettoyage avec des abrasifs.

Remplacement de la lampe

- 1 Avant de remplacer la lampe, assurez-vous que la hotte soit débranchée.
- 2 Enlevez le filtre à graisse.
- 3 Changez la lampe par une lampe de puissance égale à celle indiquée dans les caractéristiques techniques.
- 4 Remplacez le filtre.

Important!

Lorsque vous remplacez les lampes halogènes, celles-ci doivent être remplacées par des lampes à réflecteur en aluminium. Ne jamais utiliser des lampes dichroïdes, afin d'éviter une surchauffe du support de la lampe.

Nettoyage du filtre à graisse

- En fonction de l'usage au moins une fois par mois, démonter les filtres à graisse (Fig. 5), et nettoyer à l'eau chaude et du détergent, ou utilisant le lave-vaisselle, auquel cas, il est recommandé de les placer en position verticale pour éviter le dépôt de déchets alimentaires.
- Après les avoir rincés et essuyés, les remettre en place en suivant les instructions de démontage à rebours.

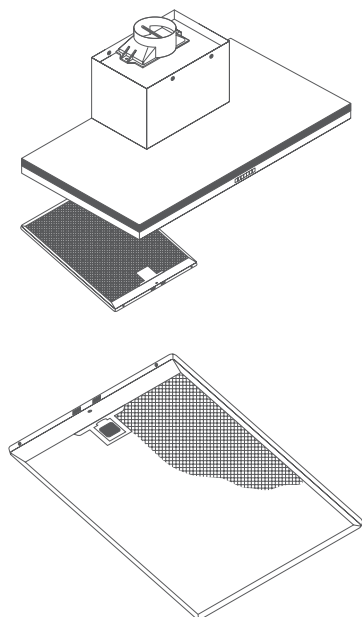


Fig.5 Filtre à graisse

Lorsque vous achetez un nouvel appareil électroménager Fisher & Paykel pour une utilisation ménagère, vous recevez automatiquement une garantie limitée d'un an couvrant les pièces de rechange et la main d'œuvre pour le service dans les 48 états du continent américain, Hawaï, Washington D.C. et au Canada. Eu égard à l'Alaska, la garantie limitée est identique sauf que vous devez prendre en charge les frais d'expédition du produit jusqu'au service clientèle ou prendre en charge les frais de déplacement du technicien de maintenance jusqu'à votre domicile. Les produits destinés à être utilisés au Canada doivent être achetés par l'intermédiaire de la chaîne de distribution canadienne pour garantir la conformité avec la réglementation en vigueur.

Si le produit est installé dans un véhicule automobile, sur un bateau ou sur une unité mobile similaire, vous bénéficiez de la même garantie limitée d'un an, mais il relève de votre responsabilité d'amener le véhicule, bateau ou l'unité mobile dans laquelle est installé le produit au service après-vente à vos frais ou de prendre en charge les frais de déplacement du technicien de maintenance jusqu'au lieu où se trouve le produit.

Fisher & Paykel s'engage à :

Réparer sans frais encourus pour le propriétaire en termes de main d'œuvre ou de matériau une quelconque partie du produit, dont le numéro de série se trouve sur le produit, s'avérant défectueuse. Eu égard à l'Alaska, vous devez prendre en charge les frais d'expédition du produit jusqu'au service clientèle ou prendre en charge les frais de déplacement du technicien de maintenance jusqu'à votre domicile. Si le produit est installé dans un véhicule automobile, sur un bateau ou sur une unité mobile similaire, il relève de votre responsabilité d'amener le véhicule, bateau ou l'unité mobile dans laquelle est installé le produit au service après-vente à vos frais ou de prendre en charge les frais de déplacement du technicien de maintenance jusqu'au lieu où se trouve le produit. Si nous ne pouvons pas réparer une pièce défectueuse du produit après un nombre raisonnable de tentatives, nous procéderons au remplacement de la pièce ou du produit ou nous vous proposerons de vous rembourser intégralement le prix d'achat du produit (frais d'installation et autres frais étant exclus), selon notre choix.

Cette garantie s'étend à l'acheteur original et à tout propriétaire successeur du produit pour les produits achetés pour toute utilisation ménagère par une seule famille.

Le service en vertu de cette garantie limitée devra être assuré par Fisher & Paykel ou par son agent agréé pendant les heures normales de bureau.

Durée de cette garantie limitée

Notre responsabilité en vertu de cette garantie limitée expire UN AN après la date d'achat du produit par le premier consommateur.

Notre responsabilité en vertu de toutes garanties implicites, y compris la garantie implicite de qualité marchande (une garantie implicite selon laquelle le produit est adapté à toute utilisation ordinaire) expire également UN AN (ou durée supérieure comme requis par la loi en vigueur) à compter de la date d'achat du produit par le premier consommateur. Certains États n'autorisent pas les limitations sur la durée de la garantie implicite, il est donc possible que les limitations sur les garanties implicites ne vous concernent pas.

Cette garantie ne couvre pas les points suivants :

- A** Les déplacements d'un technicien de maintenance jusqu'à votre domicile pour tout problème non lié à un défaut dans le produit. Les frais du déplacement vous seront facturés si le problème s'avère ne pas être un défaut du produit. Par exemple :
1. Rectifier une mauvaise installation du produit.
 2. Vous expliquer comment utiliser le produit.
 3. Remplacer les fusibles de la maison ou procéder au réglage des disjoncteurs, refaire le câblage ou la plomberie de la maison ou remplacer les ampoules.
 4. Rectifier les défaillances provoquées par l'utilisateur.
 5. Rectifier le réglage du produit.
 6. Modifications non autorisées du produit.
 7. Bruits ou vibrations considérés normaux, comme par exemple, les sons de ventilateur, les bruits ou les bips sonores.
 8. Réparations des dommages provoqués par des animaux nuisibles comme les rats ou les cafards, etc.
- B** Défauts causés par des facteurs autres que :
1. L'utilisation ménagère normale ou
 2. L'utilisation en conformité avec le manuel d'utilisation du produit.
- C** Les défaillances du produit causées par accident, la négligence, une mauvaise utilisation, l'incendie, l'inondation ou une catastrophe naturelle.
- D** Les frais des réparations effectuées par des réparateurs non agréés ou les frais associés à la correction de telles réparations non autorisées.
- E** Les frais de déplacement et frais associés encourus lorsque le produit est installé dans un endroit disposant d'un accès limité ou restreint (p. ex. : frais d'avions, frais de ferry et zones géographiques isolées).
- F** La maintenance recommandée normale comme énoncée dans le manuel d'utilisation du produit.
- G** Le remplacement du filtre, sauf en présence de pièces ou matériaux défectueux à l'intérieur de la cartouche du filtre.

Ce produit a été conçu pour une utilisation dans un environnement domestique normal (résidentiel). Il n'est pas conçu pour une utilisation commerciale (de quelque nature que ce soit). Toute utilisation commerciale peut entraîner l'annulation de la garantie.

En cas de problème avec l'installation, prenez contact avec votre revendeur ou installateur. Les raccordements électriques et d'évacuation et autres raccordements relèvent de votre responsabilité.

Nous ne sommes pas responsable des dommages indirects (les frais des réparations ou les frais de remplacement d'autres propriétés endommagées si le produit est défectueux ou vos dépenses encourues si le produit est défectueux). Certains États n'autorisent pas l'exclusion ou la limitation des dommages indirects, il est donc possible que la limitation ou l'exclusion ci-dessus ne s'applique pas à votre situation.

Comment solliciter le service clientèle

Veillez lire le manuel d'utilisation. Si après la lecture du manuel, vous avez toujours des questions sur le fonctionnement du produit, ou si vous avez besoin de connaître le nom de votre représentant Fisher & Paykel agréé local ou si vous pensez que le produit est défectueux et que vous souhaitez contacter le service clientèle dans le cadre de cette garantie limitée, veuillez prendre contact avec votre revendeur ou nous appeler au numéro suivant :

États-Unis et Canada

SANS FRAIS **1.888.9.FNP.USA (1.888.936.7872)**

ou utilisez le lien sur cette page : www.fisherpaykel.com/locator/servicer/

Il est possible qu'il vous soit demandé de fournir une preuve valable de la date d'achat du produit avant que le produit puisse être accepté par le service clientèle en vertu de cette garantie limitée.

Aucune autre garantie

Cette garantie limitée constitue l'intégralité de l'accord exclusif passé entre l'acheteur et Fisher & Paykel eu égard à toute défaillance du produit. Aucun de nos employés (ou de nos agents agréés) n'est autorisé à procéder à un quelconque ajout ou à une quelconque modification de cette garantie limitée.

Garant : Fisher & Paykel Appliances, Inc.

Si vous avez besoin d'assistance eu égard à cette garantie limitée, veuillez nous contacter au numéro ci-dessus ou nous écrire à l'adresse ci-dessous :

Fisher & Paykel Appliances, Inc
5900 Skylab Road
Huntington Beach
CA 92647

Cette garantie limitée vous donne des droits juridiques spécifiques et il est également possible que vous bénéficiiez d'autres droits pouvant varier d'un état à un autre.

www.fisherpaykel.com
www.fisherpaykel.ca

Fisher & Paykel

Copyright © Fisher & Paykel 2010. All rights reserved.

The product specifications in this booklet apply to the specific products and models described at the date of issue. Under our policy of continuous product improvement, these specifications may change at any time. You should therefore check with your Dealer to ensure this booklet correctly describes the product currently available.

Derechos de autor © Fisher & Paykel 2010. Todos los derechos reservados.

Las especificaciones de los productos en este folleto aplican para los productos y modelos específicos descritos a la fecha de su emisión. De acuerdo con nuestra política de mejora continua de nuestros productos, estas especificaciones pudieran modificarse en cualquier momento. Por lo tanto, favor de ponerse en contacto con su concesionario para asegurarse de que este folleto describa en forma correcta el producto que acaba de adquirir.

Copyright © Fisher & Paykel 2010. Tous droits réservés.

Les caractéristiques des produits figurant dans ce livret s'appliquent aux produits et modèles spécifiques décrits à la date de publication. Dans le cadre de notre politique d'amélioration continue des produits, ces caractéristiques techniques peuvent changer à tout moment. Vous devrez par conséquent vérifier auprès de votre centre d'assistance clientèle que ce livret décrit bien le produit commercialisé actuellement.