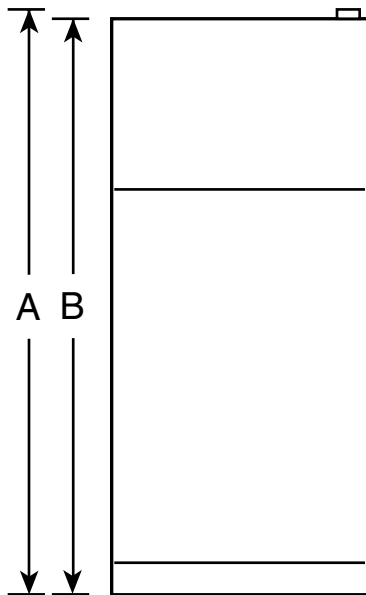


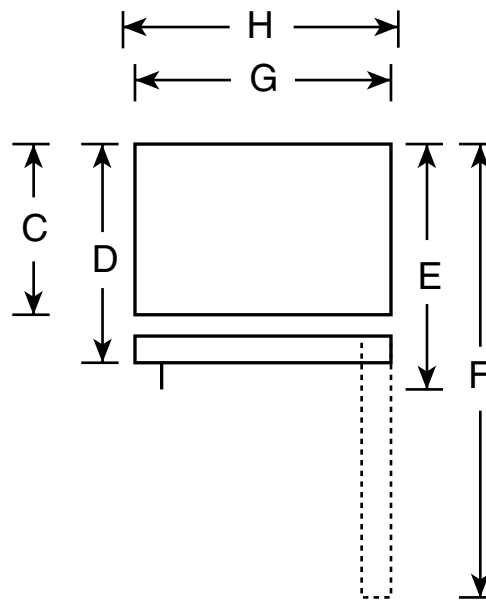
HOTPOINT®

HTS17CBT – Hotpoint® 16.6 Cu. Ft. Top-Freezer Refrigerator

Front View



Top View



| | | |
|--------------------|--|---------------|
| Overall Dimensions | Height to top of hinge (in.) A | 64-3/4 |
| | Height to top of case (in.) B | 64-1/4 |
| | Height to mid-freezer (in.) | 54-3/8 |
| | Case depth without door (in.) C | 25-7/8 |
| | Case depth less door handle (in.) D | 29-1/8 |
| | Case depth with door handle (in.) E | 31 |
| | Depth with fresh food door open 90° (in.) F | 54-7/8 |
| | Width (in.) G | 28 |
| Air Clearances | Width with door open 90° with door handle (in.) H | 30-1/2 |
| | Each side (in.) | 3/4 |
| | Top (in.) | 1 |
| | Back (in.) | 1 |

Note: Before installing, consult installation instructions packed with product for current dimensional data.

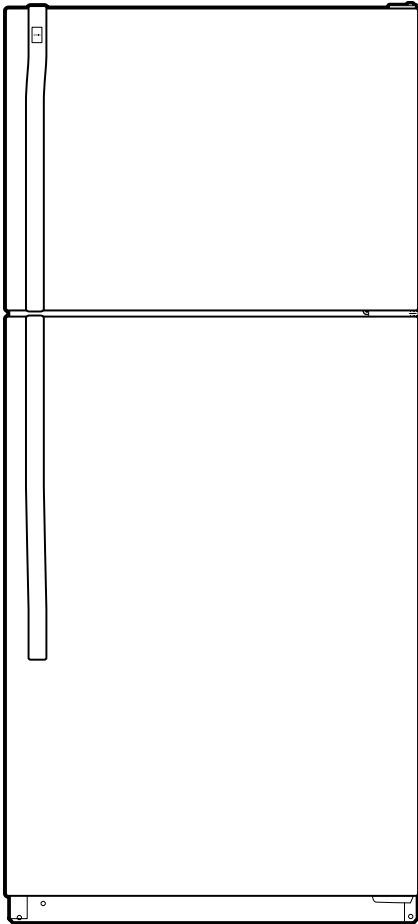
Note: All Top-Freezer No-Frost Right-Hand Refrigerator Doors: As you face the front of the refrigerator, the handle is on your left and the hinges are on your right.

All Top-Freezer No-Frost Left-Hand Refrigerator Doors: As you face the front of the refrigerator, the handle is on your right and the hinges are on your left.





HTS17CBT – Hotpoint® 16.6 Cu. Ft. Top-Freezer Refrigerator



Features and Benefits

- Upfront temperature controls - Easy-to-use controls are located in an easy-to-reach position
- Adjustable wire shelves - Flexible shelving options can be arranged to handle a variety of foods
- Fixed gallon door shelves - Provides the ideal space for storing gallon containers in the door
- Crisper drawers - Provides the ideal environment for storing your fruits and vegetables
- Deluxe quiet design - Designed to reduce unnecessary sounds in the kitchen
- NeverClean™ condenser - Encased coils take the dirty work out of maintaining your refrigerator
- Model HTS17CBTWW – White
- Model HTS17CBTCC – Bisque

