

AEE12DN

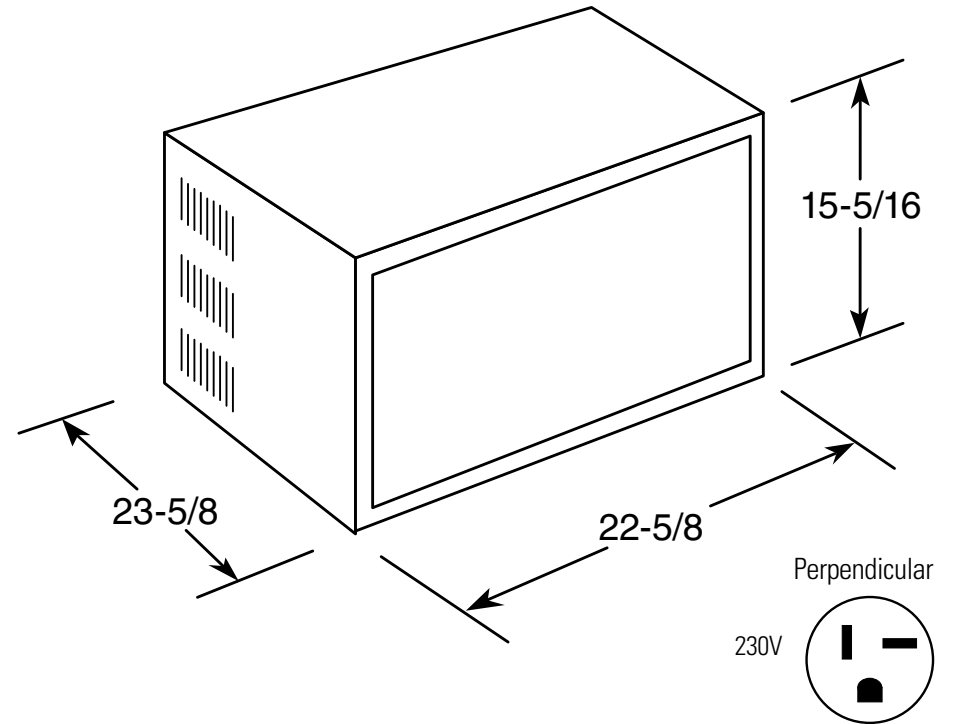
GE® 230/208 Volt Heat/Cool Series Room Air Conditioner

Wall Case Dimensions and Installation Information (in inches)

Note: When installing slide-out chassis units in through-the-wall applications, keep louvers free. Do not restrict air flow areas. Fixed chassis units are not suitable for through-the-wall applications.

Wall Outlets: All wiring including installation of receptacle must be made in accordance with local electrical codes and regulations. Electrical outlet should be in reach of line cord.

Note: Aluminum wiring may pose special problems – consult a qualified electrician.



For answers to your Monogram®, GE Profile™ or GE® appliance questions, visit our website at ge.com or call GE Answer Center® service, 800.626.2000.



imagination at work



Total volume and shelf area are calculated by the Association of Home Appliance Manufacturers' standards.



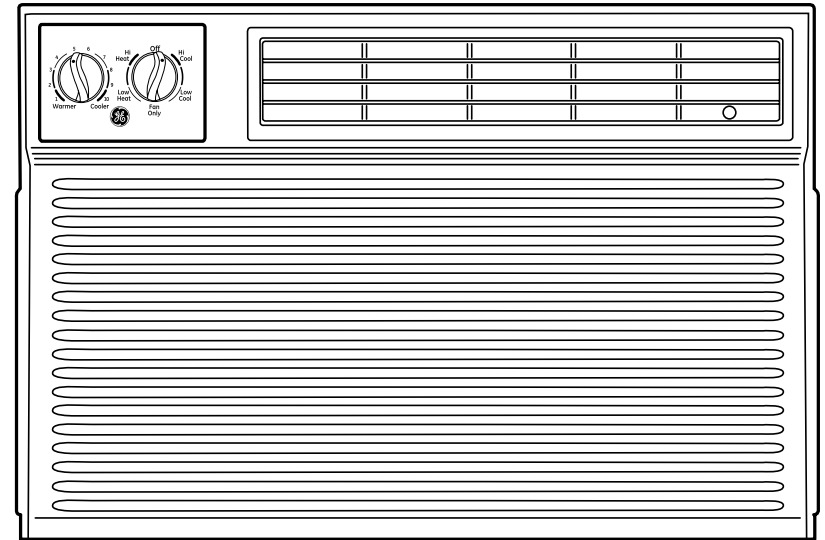
Listed by Underwriters Laboratories

AEE12DN

GE® 230/208 Volt Heat/Cool Series Room Air Conditioner

Features and Benefits

- 12,000/11,600 BTU, 9.8 E.E.R., 11,000/8,700 BTU Heat, 115 Volts
- R-410A refrigerant
- Adjustable thermostat
- Multiple cooling/heating speeds
- 4-way adjustable air discharge
- Easy-access filter
- Slide-out chassis
- EZ mount window kit
- Model AEE12DN - Light cool grey



imagination at work