

AKM25DN

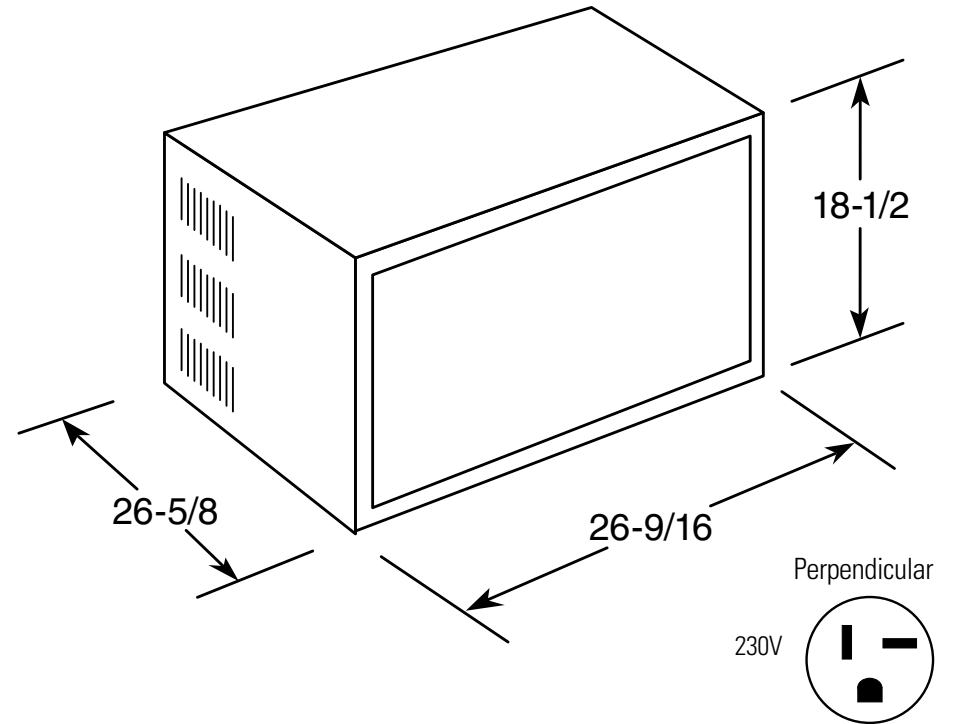
GE® ENERGY STAR® Deluxe 230/208 Volt Electronic Room Air Conditioner

Wall Case Dimensions and Installation Information (in inches)

Note: When installing slide-out chassis units in through-the-wall applications, keep louvers free. Do not restrict air flow areas. Fixed chassis units are not suitable for through-the-wall applications.

Wall Outlets: All wiring including installation of receptacle must be made in accordance with local electrical codes and regulations. Electrical outlet should be in reach of line cord.

Note: Aluminum wiring may pose special problems – consult a qualified electrician.



For answers to your Monogram®, GE Profile™ or GE® appliance questions, visit our website at ge.com or call GE Answer Center® service, 800.626.2000.



imagination at work



Total volume and shelf area are calculated by the Association of Home Appliance Manufacturers' standards.



Listed by Underwriters Laboratories



As an ENERGY STAR® partner, GE has determined that this product meets the ENERGY STAR guidelines for energy efficiency.

AKM25DN

GE® ENERGY STAR® Deluxe 230/208 Volt Electronic Room Air Conditioner

Features and Benefits

- ENERGY STAR® qualified
- 24,500/24,200 BTU, 9.4 E.E.R., 230/208 Volts
- R-410A refrigerant
- Electronic thermostat with remote
- Energy saver feature
- Sleep feature
- 24 hour on/off timer
- 3 Cooling / 3 fan only speeds
- Power interruption restart
- Slide-out chassis
- EZ mount window kit
- Model AKM25DN - Light cool grey

