



Mini Split-System Air Conditioners

Safety Instructions 2

Operating Instructions

Batteries 3
Care and Cleaning 6, 7
Remote Control Features 4, 5

Installation Instructions

Air Purging and Leakage Test 15
Before You Begin 8
Connection Tubing 11
Dimensions 9
Drainage Hose 11
Electrical Requirements 8
Electrical Wiring 12-14
Indoor Unit 12, 13
Location 10
Outdoor Unit 14, 15
Tubing Hole 11
Power Line 14
Mounting Plate 11
Test Operation 16
Wiring Indoor Unit 12
Wiring Outdoor Unit 14

Troubleshooting Tips 17

Normal Operating Sounds 17

Consumer Support

Consumer Support Back Cover
Warranty 18

**Owner's Manual and
Installation Instructions**

Cool Only Models

AE1CD10AM / AE0CD10AM
AE1CD14DM / AE0CD14DM
AE1CD20DM / AE0CD20DM

Heat/Cool Models

AE1RD10AM / AE0RD10AM
AE1RD14DM / AE0RD14DM
AE1RD20DM / AE0RD20DM

Climatiseurs Minibloc

**Manuel d'utilisation et
instructions d'installation**

La section française commence à la page 19

Acondicionador de aire de sistema mini split

**Manual del propietario
e instrucciones de
instalación**

La sección en español empieza en la página 37

*Write the model and serial numbers here
for the indoor and outdoor units:*

Indoor Model # _____

Indoor Serial # _____

Outdoor Model # _____

Outdoor Serial # _____

Find these numbers on a label on the side of each unit.

IMPORTANT SAFETY INFORMATION. READ ALL INSTRUCTIONS BEFORE USING.

⚠ WARNING!

For your safety, the information in this manual must be followed to minimize the risk of fire, electric shock or personal injury.



SAFETY PRECAUTIONS

- Use this equipment only for its intended purpose as described in this Owner's Manual.
- This system must be properly installed in accordance with the Installation Instructions before it is used.
- All wiring should be rated appropriate for the current value listed on the rating plate. Use only copper wiring.
- **⚠ WARNING!** Risk of electric shock. Can cause injury or death: Earth connection is essential before connecting the power supply.
- **⚠ WARNING!** Risk of electric shock. Can cause injury or death: Disconnect all remote electric power supplies before servicing.
- **⚠ WARNING!** Risk of electric shock. Can cause injury or death: Repair or replace immediately all electrical wiring that has become frayed or otherwise damaged. Do not use wiring that shows cracks or abrasion damage along its length or at either end.
- All electrical work must be completed by a qualified electrician and completed to local and national building codes and regulations.
- Any servicing must be performed by a qualified individual.
- **⚠ WARNING!** Risk of fire. Can cause injury or death: Do not store or use combustible materials, gasoline or other flammable vapors or liquids in the vicinity of this or any other appliance.

For any service which requires entry into the refrigerant sealed system, Federal regulations require the work be performed by a technician having a Class II or Universal certification.

- All air conditioners contain refrigerants, which under federal law must be removed prior to product disposal. If you are getting rid of an old product with refrigerants, check with the company handling disposal.
- R410A air conditioning systems require contractors and technicians to use tools, equipment and safety standards approved for use with this refrigerant. DO NOT use equipment certified for R22 refrigerant only.



READ AND FOLLOW THIS SAFETY INFORMATION CAREFULLY.

SAVE THESE INSTRUCTIONS

General Procedure

NOTE: For best results, point the remote control at the indoor unit.

- 1 Make sure power is connected and press the **ON/OFF** pad to start the system.
- 2 Press the **MODE** pad to select the desired operation mode.
- 3 Press the **SWING** pad for automatic rotation of the louvers. Press again to stop the rotation.

4 Press the **FAN** pad to set the desired fan speed (AUTO/Low/Medium/High).

5 Press the **TEMP +/-** pads to set the desired temperature.

NOTE: For detailed remote control instructions, see *About the remote control* section.

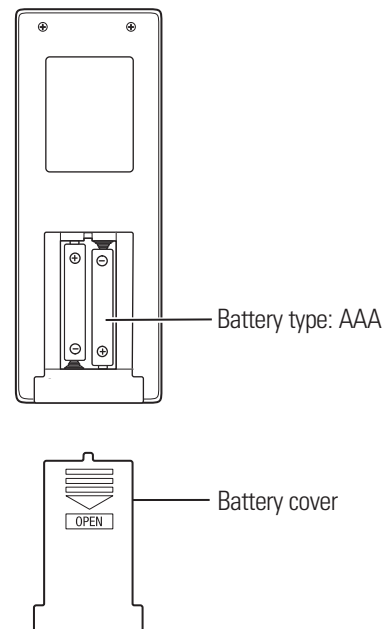
How to Insert Batteries

The remote control uses two AAA batteries.

- 1 Remove the cover from the back of the remote control and insert two new batteries (pay attention to the polarity).
- 2 Reattach the cover.

NOTES:

- Do not mix new and used batteries or different types of batteries.
- Remove batteries when the remote control is not in use for an extended time.
- The remote control signal can only be received within a range of 20 ft.
- The remote control should be placed about 3 feet or more away from TV sets or any other electrical appliances.



About the remote control.

The remote control transmits the signals to the system.

Features and appearance may vary.

AUTO—In this mode, the unit automatically controls the room temperature within the range of 77°F and 68°F. The fan will run continuously while the unit is in AUTO mode. When the room temperature exceeds 77°F, the unit will go into COOL Mode. When the room temperature drops to 73°F, the fan will continue to run but COOL Mode will turn off. When the temperature drops below 68°F, the unit will go into HEAT Mode. When the temperature reaches 73°F, the fan will continue to run but HEAT Mode turns off.

NOTE: This temperature range setting cannot be adjusted and will not be displayed.

❄️ **COOL**—Use to cool the room to the desired temperature set between 61°F and 86°F.

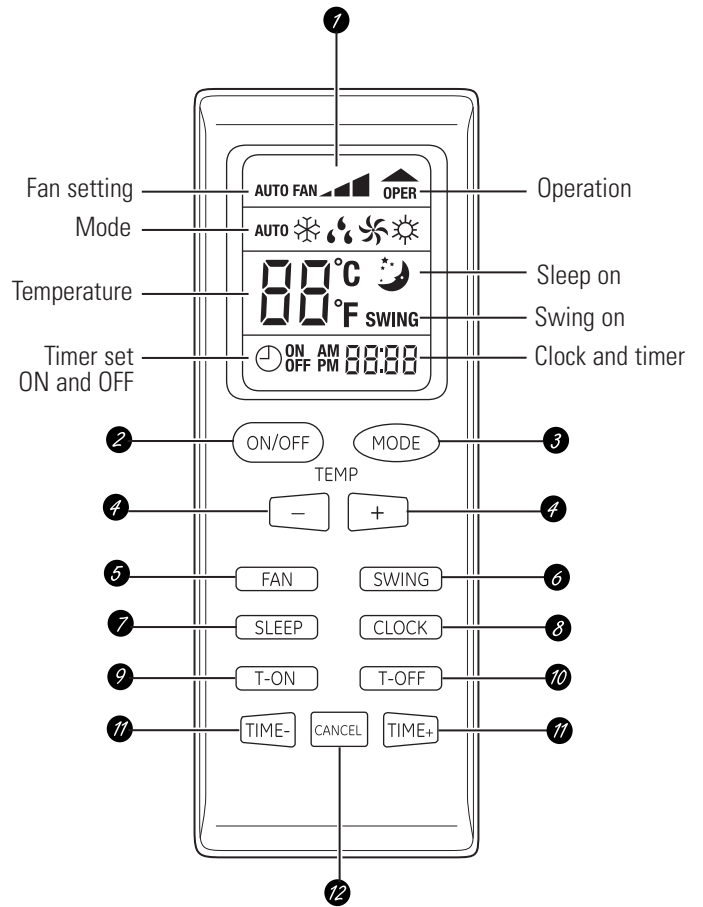
NOTE: The unit will not provide optimum cooling if the outside temperature is below 60°F. Under certain conditions, the unit may activate the antifreeze protection cycle for approximately 5 minutes to remove ice from the indoor coil.

💧 **DRY**—Use to dehumidify the room. The fan will run at a fixed low speed to provide maximum dehumidification. The temperature can be set between 61°F and 86°F.

🌀 **FAN**—Use to turn ON and OFF the fan-only operation. COOL, HEAT or DRY mode will not be provided.

☀️ **HEAT** (on models so equipped)—Use to warm the room to the desired temperature set between 61°F and 86°F.

NOTE: The unit will not provide optimum heating if the outside temperature is below 14°F. Under certain conditions, the unit may activate the antifreeze protection cycle for approximately 8 minutes to remove ice from the outdoor coil. During this cycle, it is normal to hear operating sounds such as refrigerant flowing inside the system.



The remote control transmits the signals to the system.



Features of the Remote Control

- 1 Display**
Displays all set contents when turned on. Displays only the set temperature and time when turned off.
- 2 ON/OFF Pad**
Press to turn the system on and off.
- 3 MODE Pad**
Press to change the operation mode to AUTO, ❄️ (COOL), 💧 (DRY), 🌀 (FAN ONLY) or ☀️ (HEAT).
- 4 TEMP Pads**
Press + to increase the set temperature in 1°F increments. Press – to decrease the set temperature in 1°F increments. In the COOL and HEAT modes, the set temperature can be selected from 61°F to 86°F. The set temperature will not be displayed in the AUTO mode.
- 5 FAN Pad**
Press to change the fan speed to AUTO FAN, ▴ (Low Fan), ▴▴ (Medium Fan) or ▴▴▴ (High Fan).
- 6 SWING Pad**
Press for automatic rotation of the louvers. Press again to stop them from rotating.
- 7 SLEEP Pad**
Press to turn the sleep mode on and off. When in the cooling mode and the sleep timer is set, the set temperature will automatically increase 2°F after the first hour and 2°F after the second hour. SLEEP Mode is compatible with COOL, HEAT and DRY.
- 8 CLOCK Pad**
Press to set the time of day. Press TIME- or TIME+ pads to set the time in 1-minute increments. Press and hold the TIME- or TIME+ pads to set the time in 10-minute increments.
- 9 T-ON (Timer ⌚ ON) Pad**
When the air conditioner is off, press T-ON (timer on) to set it to turn on automatically (using its previous settings) at the time you set.

Press **TIME-** or **TIME+** pads to set the start time in 1-minute increments.

Press and hold the **TIME-** or **TIME+** pads to set the start time in 10-minute increments.

To cancel ⌚ **ON (T-ON)**, press the **CANCEL** pad.
- 10 T-OFF (Timer ⌚ OFF) Pad**
When the air conditioner is on, press T-OFF (timer off) to set it to automatically turn off at the time you set.

Press **TIME-** or **TIME+** pads to set the turn-off time in 1-minute increments.

Press and hold the **TIME-** or **TIME+** pads to set the turn-off time in 10-minute increments.

To cancel ⌚ **OFF (T-OFF)**, press the **CANCEL** pad.
- 11 TIME Pads**
Use when setting the CLOCK and timers (T-ON and T-OFF). Press to set in 1-minute increments. Press and hold to set in 10-minute increments.
- 12 CANCEL Pad**
Press to cancel the timer(s).

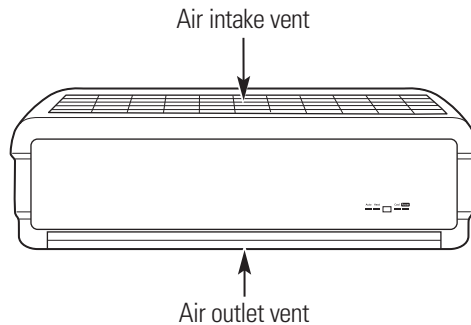
Care and cleaning of the air conditioner.

⚠ CAUTION: Before performing any maintenance, turn off the main power to the system.

Indoor Unit

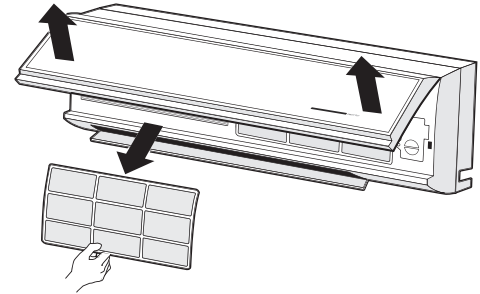
Grille, Case and Remote Control

Turn the system off before cleaning. To clean, wipe with a soft, dry cloth. Do not use bleach or abrasives.



Air Filters

The two air filters behind the front grille should be checked and cleaned at least every 30 days or more often, if necessary.



- 1 Open the front access panel.
- 2 Pull the filter tab slightly forward to remove the filter. Clean the filter with a vacuum or warm, soapy water. Rinse and allow the filter to dry before replacing it.
- 3 Reinsert the filters and close the front access panel.

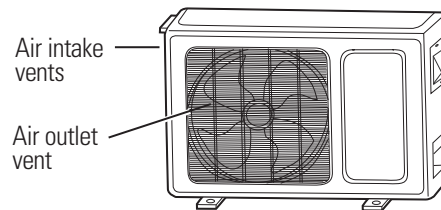
NOTE: DO NOT operate the system without a filter because dirt and lint will clog it and reduce performance.

Outdoor Unit

The heat exchanger coils and panel vents of the outdoor unit should be checked regularly. If clogged with dirt or debris, the heat exchanger and panel vents should be professionally cleaned.

NOTES:

- Power supply must be disconnected before cleaning the outdoor unit.
- Dirty or clogged coils will reduce the operating efficiency of the system and cause higher operating costs.



If you're closing up for the season...

- 1 Operate the system in the fan mode for 2 hours. This will dry out the system.
- 2 Remove the batteries from the remote control.
- 3 Cover the outdoor unit with a protective cover.

NOTE: Next season make sure to remove the protective cover from the outdoor unit before restarting the system.

Installation Instructions

Mini Split-System Air Conditioners



BEFORE YOU BEGIN

Read these instructions completely and carefully.

- **IMPORTANT** – Save these instructions for local inspector's use.
- **IMPORTANT** – Observe all governing codes and ordinances.
- **Note to Installer** – Be sure to leave these instructions with the Consumer.
- **Note to Consumer** – Keep these instructions for future reference.
- **Skill level** – A licensed, certified (to handle refrigerant-R410A, recovery, etc.) technician and a qualified electrician are required for installation of this split air conditioning system.
- **Completion time** – Approximately 2½ hours
- Two people are required to install this unit due to the weight of the product.
- Proper installation is the responsibility of the installer.
- Product failure due to improper installation is not covered under the Warranty.
- For personal safety, this system must be properly grounded.
- Protective devices (fuses or circuit breakers) acceptable for installation are specified on the nameplate of each unit.
- Servicing and installation of the refrigerant system must be performed only by a licensed, HVAC-certified technician.
- Make sure to avoid wiring or plumbing inside the wall when installing.
- For any service which requires entry into the refrigerant sealed system, Federal regulations require the work be performed by a technician having a Class II or Universal certification.



ELECTRICAL REQUIREMENTS

- Be certain all wiring complies with local building codes and NEC and that the supply voltage for this system is correct. The system supply voltage is connected to the outdoor unit only.
- Check the rating nameplate on the side panel of outdoor unit for required circuit protection rating and required supply voltage.
- Use UL-approved electrical branch circuit disconnect for providing supply voltage to split system indoor and outdoor units. Locate disconnect within sight and readily accessible per NEC and local codes.
- All wiring should be rated appropriate for the current value listed on the rating plate.
- Be certain there is an uninterrupted, unbroken electrical ground connection.
- Wiring should be encased in liquid-tight tubing with connections sealed with liquid-tight connectors.

⚠ CAUTION:

- Do not use an extension cord with this system.
- Aluminum building wiring may present special problems—consult a qualified electrician.
- When the unit is in the STOP position, there is still voltage to the electrical controls.
- Disconnect the power to the system before servicing by removing the branch circuit fuses or turning the circuit breakers off at the panel.
- DO NOT use equipment certified for R22 refrigerant only.

Installation Instructions

PARTS INCLUDED

- Mounting plate
- Remote control
- Sealer
- Batteries AAA (2)
- Screws (5 for 10,000 and 14,000 BTU models/10 for 20,000 BTU models)
- Drainage hose
- Insulation hose
- Two (2) filters

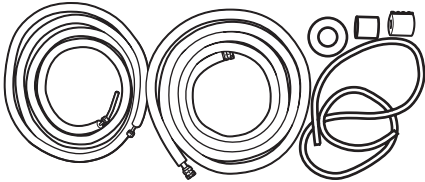
SUPPLIED BY INSTALLER

Adapter: 1/4" male flare with Schrader valve x 5/16" female (1/2"-20UN)



OPTIONAL ACCESSORY KITS

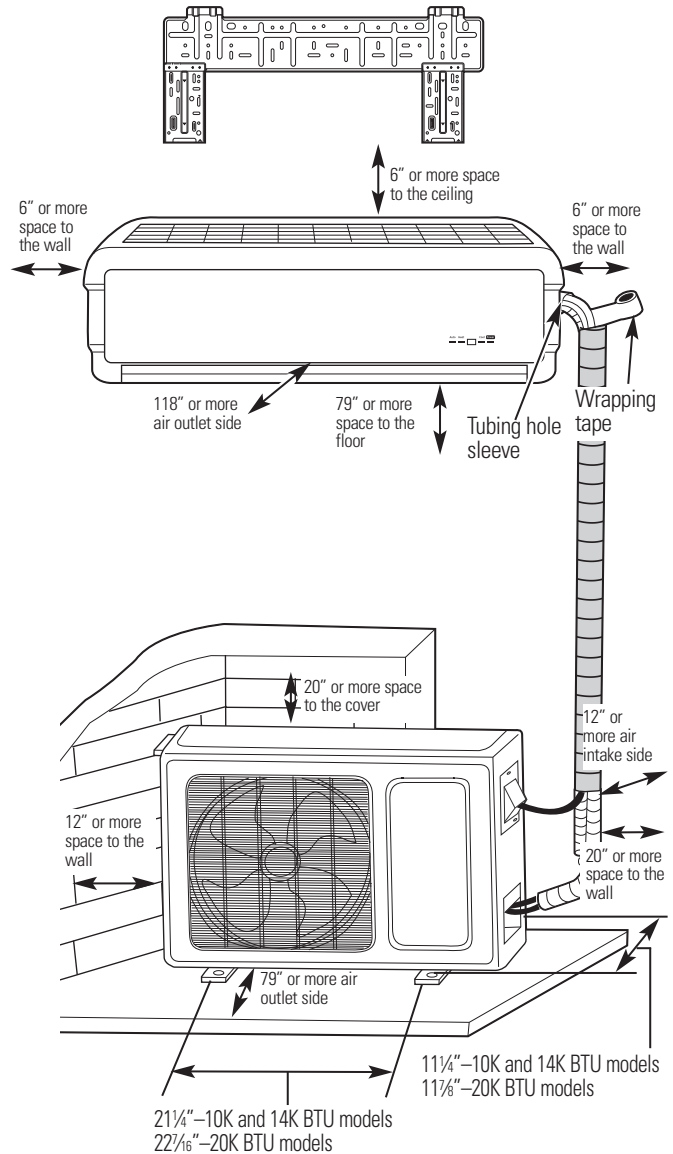
To aid installation, the following tubing kits may be ordered:



GE Kit	TUE1650	TUE3250
For use on models	AE1CD10AM	
	AE0CD10AM	
	AE1RD10AM	
	AE0RD10AM	
	AE1CD14DM	
	AE0CD14DM	
	AE1RD14DM	
	AE0RD14DM	
Suction line dia. and length	1/2" x 16 ft.	1/2" x 32 ft.
Liquid line dia. and length	1/4" x 16 ft.	1/4" x 32 ft.
Tube insulation length	16 ft.	32 ft.
Wall hole sleeves (2)	included	included
PVC wrapping tape	included	included

GE Kit	TUE1662	TUE3262
For use on models	AE1CD20DM	
	AE0CD20DM	
	AE1RD20DM	
	AE0RD20DM	
Suction line dia. and length	5/8" x 16 ft.	5/8" x 32 ft.
Liquid line dia. and length	3/8" x 16 ft.	3/8" x 32 ft.
Tube insulation length	16 ft.	32 ft.
Wall hole sleeves (2)	included	included
PVC wrapping tape	included	included

INSTALLATION DIMENSIONS



IMPORTANT NOTES:

- The installation must be done by a trained and qualified electrician and technician with Class II or Universal certification.
- When picking up and moving the units, you must be guided by trained and qualified personnel.

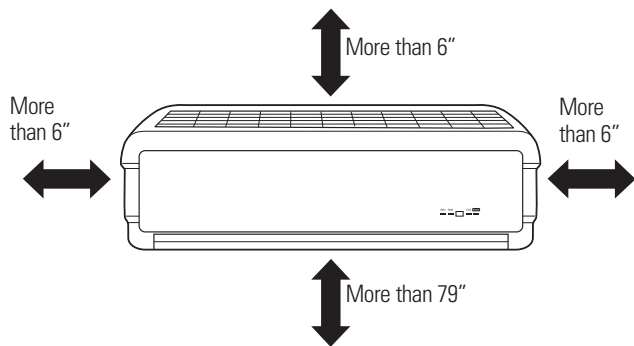
Installation Instructions

Read these instructions completely and carefully; then follow step by step.

1 SELECT THE BEST LOCATION

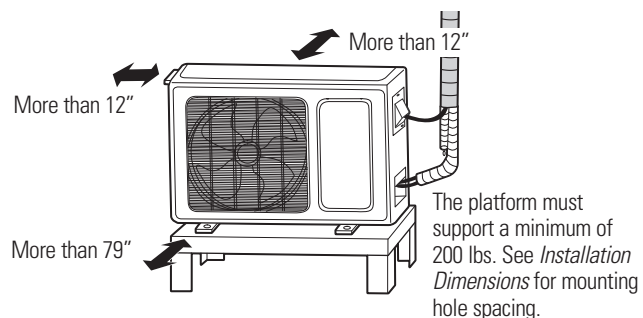
A INDOOR UNIT

- Do not allow any heat or steam near the unit.
- Select a location where there are no obstacles in front of the unit.
- Make sure that condensate drainage can be conveniently routed away.
- Do not install near a doorway.
- Ensure that the space around the left and right of the unit is more than 6". The unit should be installed as high on the wall as possible, allowing a minimum of 6" from ceiling.
- Use a stud finder to locate studs for mounting and to prevent unnecessary damage to the wall.
- Install on studs and in a location from which the condensation water can be drained out conveniently and that permits easy connection with the outdoor unit.
- Do not cover the inlet and outlet so that the outflow air can reach all parts of the room.
- Install in a location that is strong enough to withstand the full weight and vibration of the unit.
- Be sure that the installation conforms to the installation dimension diagram.
- Leave enough space to allow access for routine maintenance. The height of the installed location should be 79" or more away from the floor.
- Install in a location that is 3 ft. or more away from other electrical appliances, such as televisions and audio devices.
- Select a location that gives you easy access to remove and clean the filter.



B OUTDOOR UNIT

- If an awning is built over the unit to prevent direct sunlight or rain exposure, make sure that heat radiation from the condenser is not restricted.
- Ensure that the space around the back and sides is more than 12". The front of the unit should have more than 79" of space.



- Install in a location that is strong enough to permit safe installation and to withstand the full weight and vibration of the unit.
- Construct and anchor a strong and level mounting base or pad for the outdoor unit.
- Anchor the outdoor unit through its four mounts, using bolts.
- Select a location from which noise and outflow air emitted by the unit will not inconvenience neighbors.
- In humid locations, the unit may sweat and condensation (water) may drip from it. Take this into consideration when choosing the location.
- Select a location that has sufficient ventilation.
- Do not cover the inlet and outlet.
- Install unit away from flammable gas or corrosive gas leaks.
- Be sure the installation conforms to the installation dimension diagram.
- **Rooftop Installations:**
If the outdoor unit is installed on a roof structure, be sure to level the unit. Ensure the roof structure and anchoring method are adequate for the unit location. Consult local codes regarding rooftop mounting.

Installation Instructions

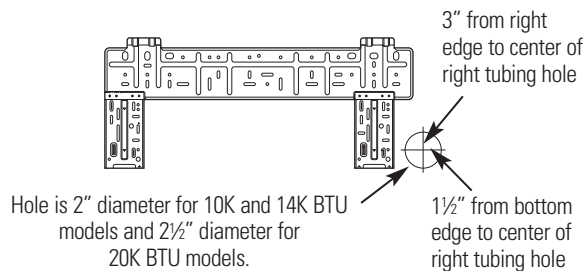
2 INSTALLATION

1 INSTALL THE MOUNTING PLATE

- Always mount the mounting plate horizontally.
- Attach the mounting plate at the selected location with screws supplied with the unit.
- Be sure that the mounting plate has been attached firmly enough to withstand the weight of an adult of 130 lbs. Also, the weight should be evenly shared by each screw.

2 INSTALL THE TUBING HOLE

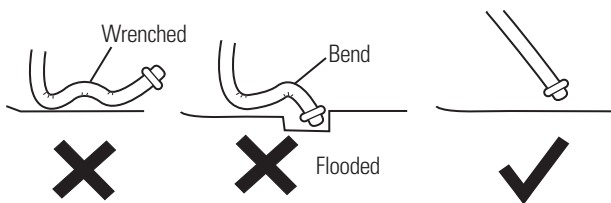
- Make the tubing hole in the wall at a slight downward slant to the outdoor side.



- To let water drain and prevent damage to wiring and tubing, insert a 2½" plastic pipe, cut to a length equal to the wall depth. Insert the tubing and wiring through the pipe.
- Copper tubing should be capped until ready to install flare fitting, to prevent contamination.

3 INSTALL THE DRAINAGE HOSE

- For good drainage, the drain hose should be placed at a downward slant.
- Do not wrench or bend the drain hose or allow it to contact standing water.
- The extended drainage tube in the room should be wrapped with the insulating materials.



4 INSTALL THE CONNECTION TUBING

- Connect the copper tubing with the relevant union tubes of the indoor unit and tighten the flare nut of the connection tubes.

NOTE: Be careful when bending the connection tubes to avoid damaging them.

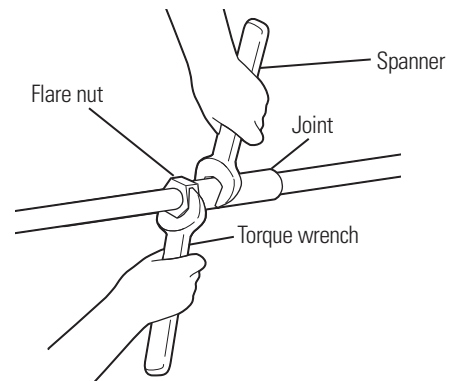
1. Align the center of the tube flare with the relevant valve.
2. Screw in the flare nut by hand and then tighten the nut with spanner and torque wrench. See the table below for the correct torque.
3. Connecting tube specifications are shown below:

Specifications	10,000/14,000 BTU Units	20,000 BTU Units
Design Length	20 ft.	26.2 ft.
Extra Refrigerant Charge Per Ft. Above Design Length	0.16 oz./ft.	0.54 oz./ft.
Outer Diameter Liquid Pipe	1/4"	3/8"
Outer Diameter Gas Pipe	1/2"	5/8"
Max. Distance Height	33 ft.	33 ft.
Max. Distance Length	68 ft.	98 ft.

NOTE: Exceeding tightening torque will damage the copper tubing.

Tightening torque table

Tubing OD	Tightening torque (in./lb.)
1/4"	140–170
3/8"	270–310
1/2"	440–480
5/8"	530–570



Installation Instructions

2 INSTALLATION (cont.)

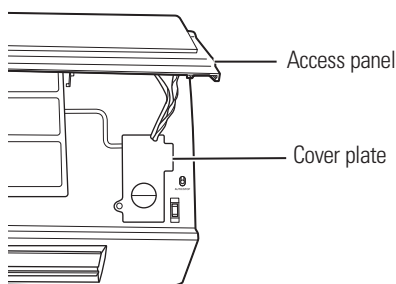
5 CONNECT ELECTRICAL WIRING BETWEEN INDOOR AND OUTDOOR UNITS

- All wiring should be rated appropriately for the current value listed on the rating plate.
- The power supply should accommodate the rated voltage.
- Wiring must be done by a qualified electrician according to local codes, regulations and this manual.
- All wiring connections should be tightened securely.

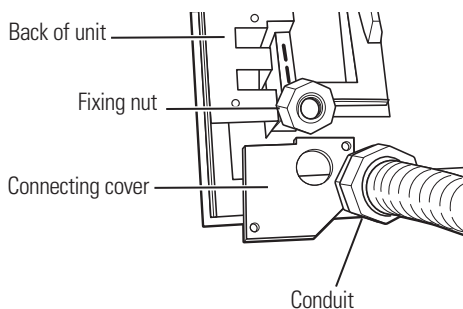
6 WIRE THE INDOOR UNIT

NOTE: Use UL-approved electrical branch circuit disconnect for providing supply voltage to split system indoor and outdoor units. Locate disconnect within sight and readily accessible per NEC and local codes.

1. Open the front access panel.
2. Remove the cover plate of the electrical box.

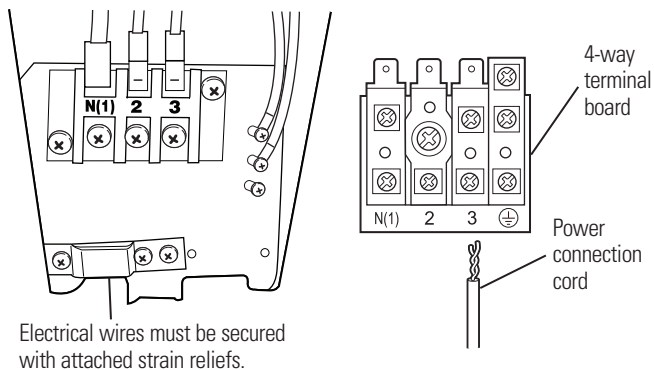


3. On the back of the indoor unit, remove the conduit connecting cover. Using the fixing nut, connect the conduit to the connecting cover. Route the wire leads through the unit to the electrical box area. Reinstall the connecting cover.

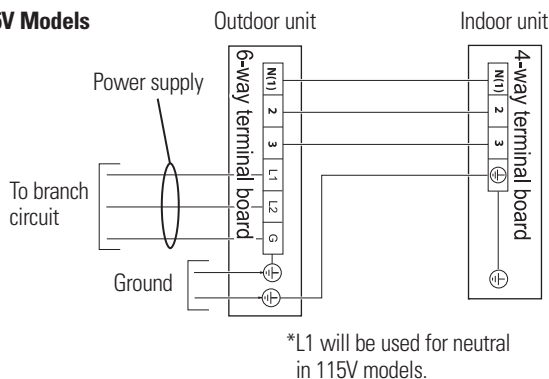


6 WIRE THE INDOOR UNIT (cont.)

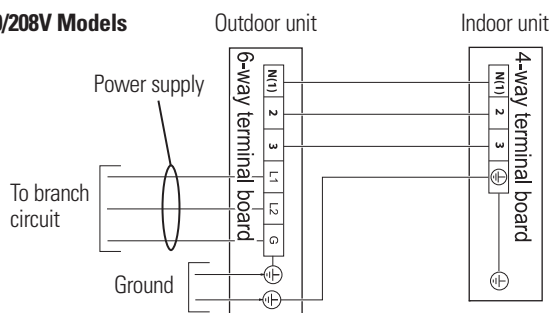
NOTE: Wiring must be done by a qualified electrician according to the local codes and regulations and this manual. The connecting wire should be correctly connected to the circuit interface.



115V Models



230/208V Models



NOTES:

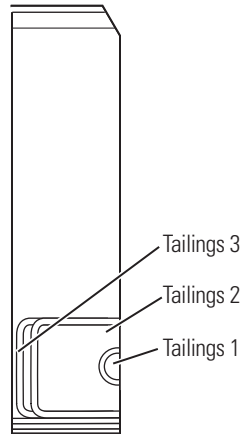
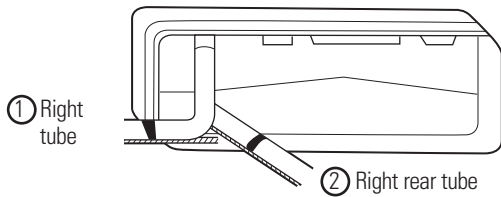
- Wiring should be consistent with the wiring diagrams above.
 - Tighten the nut of the terminal board to keep the board secured.
 - After tightening, the wire cannot be removed if pulled.
 - Incorrect wiring will cause the air conditioner to work abnormally.
 - Incorrect grounding will cause a short circuit.
4. Replace the cover plate over the electrical box and lower the access panel into position.

Installation Instructions

2 INSTALLATION (cont.)

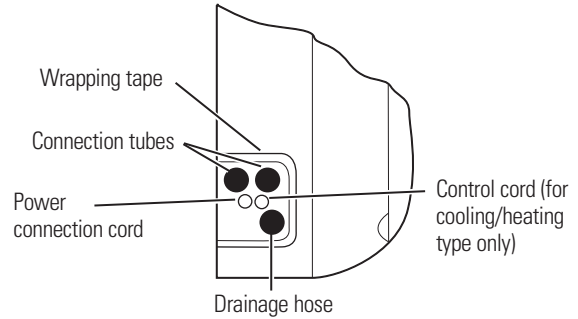
7 INSTALL THE INDOOR UNIT

- Route the tubes and wiring from the right side of the indoor unit. Cut off the tailings from the chassis as necessary.
 1. Cut off tailings 1 when routing the wiring only.
 2. Cut off tailings 1 and 2 (or tailings 1, 2 and 3) when routing both the wiring and tubing. ① and ② below are the recommended tubing.

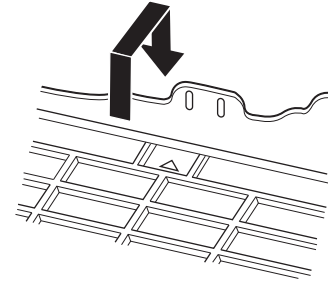


7 INSTALL THE INDOOR UNIT (cont.)

- Wrap the tubes and wiring and pull them through the cut-off-tailings hole.



- Hang the mounting slots of the indoor unit on the upper tabs of the mounting plate and make sure it is firm enough.



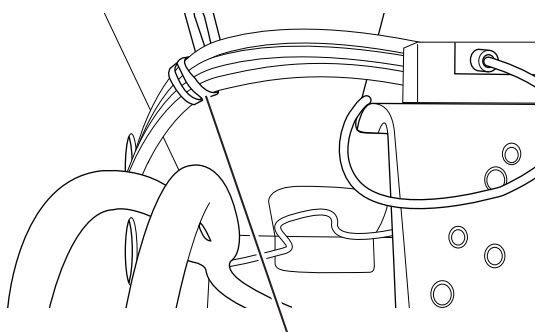
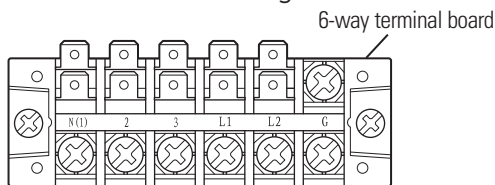
- The height of the installed location should be 79" or more from the floor.

Installation Instructions

2 INSTALLATION (cont.)

8 WIRE THE OUTDOOR UNIT

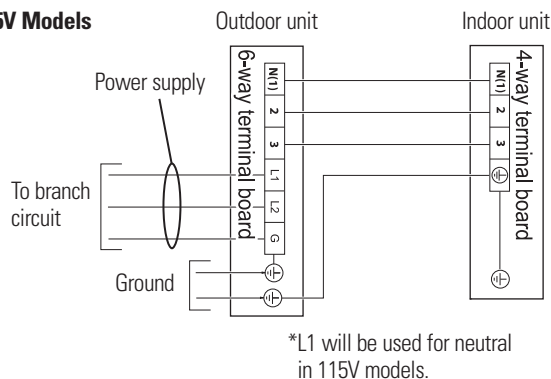
1. Open the cover of the outdoor unit.
2. The connecting wire lead from the terminal board of the indoor unit must be connected correctly.
3. The connecting wire should be a little longer so that it can be maintained easily.



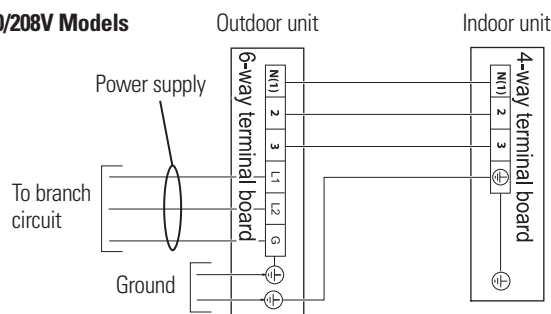
Wrap electrical cords with attached metal tie to provide strain relief.

10,000 and 14,000 BTU Models

115V Models



230/208V Models



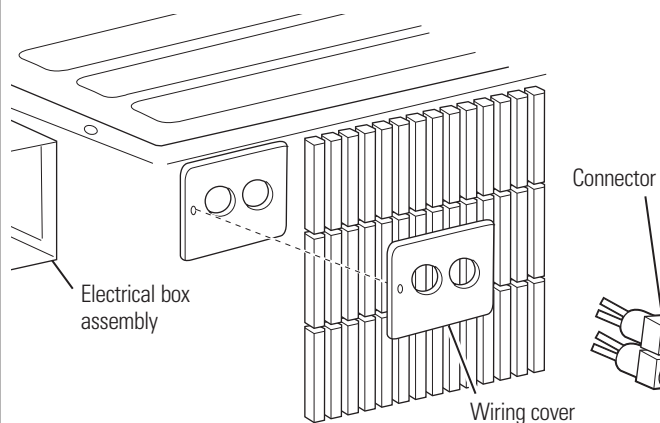
8 WIRE THE OUTDOOR UNIT (cont.)

NOTES:

- Wiring should be consistent with the above wiring diagrams.
- Wiring must be correct.
- Tighten the nut of the terminal board to keep the board secured.
- After tightening, the wire cannot be removed if pulled.
- Incorrect wiring will cause the air conditioner to work abnormally.
- Incorrect grounding will cause a short circuit.
- Electrical connections must be made by a qualified electrician.
- All electrical work must be completed according to local codes and regulations.

9 INSTALL THE POWER LINE

1. Open the wiring cover and remove the knockouts.
2. The connector should be secured by the nut, and the wiring cover should be replaced and secured with the included screw.
3. All wiring should be protected by liquid-tight tubing, and connections to the wiring cover should be with liquid-tight connectors.



NOTES:

- The connecting wire and connection tube cannot touch each other.
- The top cover of the outdoor unit and the electrical box assembly should be fixed by the screw. Otherwise, it can cause a fire or a short circuit caused by water or dust.
- Use a UL-approved electrical branch circuit disconnect for providing supply voltage to the split system outdoor unit. Locate the disconnect within sight and readily accessible per NEC and local codes.

Installation Instructions

2 INSTALLATION (cont.)

10 INSTALL THE OUTDOOR UNIT

• Install the connection tube

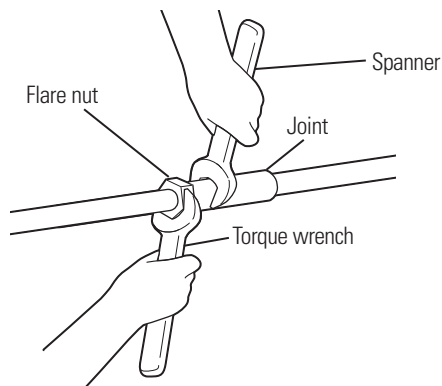
1. Align the center of the tubing flare with the relevant valve.
2. Screw in the flare nut by hand and then tighten the nut with spanner and torque wrench. See the table below for the correct torque.
3. Connecting tube specifications are shown below:

Specifications	10,000/14,000 BTU Units	20,000 BTU Units
Design Length	20 ft.	26.2 ft.
Extra Refrigerant Charge Per Ft. Above Design Length	0.16 oz./ft.	0.54 oz./ft.
Outer Diameter Liquid Pipe	1/4"	3/8"
Outer Diameter Gas Pipe	1/2"	5/8"
Max. Distance Height	33 ft.	33 ft.
Max. Distance Length	68 ft.	98 ft.

NOTE: Exceeding tightening torque will damage the copper tubing.

Tightening torque table

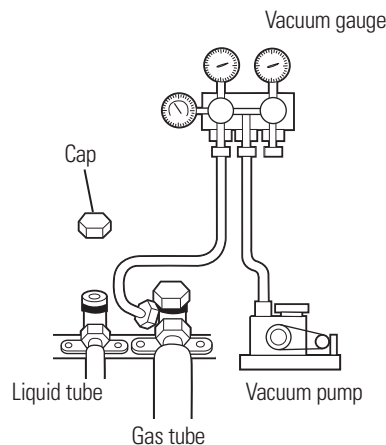
Tubing OD	Tightening torque (in./lb.)
1/4"	140-170
3/8"	270-310
1/2"	440-480
5/8"	530-570



NOTE: To prevent wind and pest infiltration, seal holes around the tubing and wiring with the supplied sealer.

11 PURGE THE AIR AND TEST FOR LEAKAGE

1. Install the connecting tubes of the indoor/outdoor unit.
2. **DO NOT OPEN THE GAS VALVES UNTIL THE EVACUATION PROCESS IS COMPLETE.**
3. Remove the gas line service port cap and connect the gas valves of the vacuum gauge, vacuum pump and outdoor unit.
NOTE: Connect by using a 1/4" Female x 1/2" Male Adapter Access Fitting (obtain locally).
4. Start the vacuum pump. (Running time should be more than 15 minutes.)
5. Check the vacuum with the vacuum gauge. The gauge should read -30 in. Hg. After evacuation, fully close the handle on the manifold valve (on the vacuum pump device). Then stop the vacuum pump and disconnect it.
6. The pressure should be kept for 1-2 minutes to confirm that the reading of the vacuum gauge does not change. The pressure should be -30 in. Hg.
7. Remove the vacuum line and replace the service port cap.
8. Remove both the liquid and gas valve caps.
9. Open the gas and liquid valve entirely, using the 5 mm Allen wrench. If this is not done, the performance will be reduced, or an error will occur.
10. Replace the caps and tighten securely.



Installation Instructions

13 TEST OPERATION AND CHECK AFTER INSTALLATION

Test operation

1. Before test operation

- Do not switch on power before installation is finished completely.
- Electrical wiring must be connected correctly and securely.
- Shut-off valves of the connection tubes should be opened.
- All impurities such as scraps and particulates must be cleared from the unit.

2. Test operation method

- Switch on power and press the **ON/OFF** pad on the remote control to turn on the air conditioner.
- Press the **MODE** pad and check the operation conditions of each of the modes.

10,000 and 14,000 BTU models only:

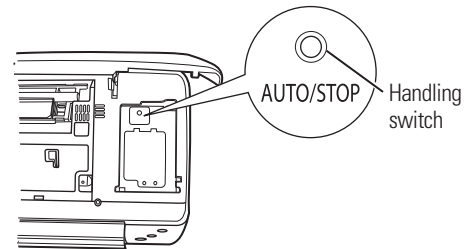
- If the remote control is lost, the emergency run operation can be performed with a ballpoint pen or similar object.

a. When the unit is off, set the handling switch to the AUTO mode.

The unit will then automatically run in the mode selected by the microcomputer system according to the surrounding temperature. If you want to turn the unit off, press the handling switch again.

b. When the unit is on, set the handling switch to the STOP mode to turn off the unit.

10,000 and 14,000 BTU Models



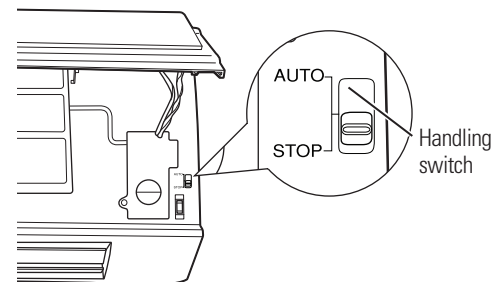
20,000 BTU models only:

- If the remote control is lost, open the front access panel and perform the following:

a. Set the handling switch to the AUTO position to operate in the AUTO mode. Once there is a remote control signal, the unit will again be controlled by that signal.

b. Set the handling switch to the STOP position to turn off the unit.

20,000 BTU Models



Installation Checklist

- Has the unit been securely installed? If not, the unit may fall, shake or make noises.
- Has the refrigerant leak test been performed? Leakage may cause insufficient cooling capacity.
- Does the unit drain well? Poor drainage can cause condensation and dripping.
- Is the voltage correct according to the nameplate? Incorrect voltage may cause electrical malfunction. Diagnostic information is available for this unit. Contact your service technician.
- Is the unit properly grounded? A nonsecure ground connection can cause damage.
- Are the air inlet and outlet completely free of cover? Covering the air inlet or outlet may cause insufficient cooling capacity.
- Have the length of the connection tubing and refrigerant capacity been recorded? It is important to know these things for future reference.

Before you call for service...

Troubleshooting Tips: Save time and money! Review the chart below first and you may not need to call for service.

Problem	Possible Causes	What To Do
The system does not start	The fuse is blown/circuit breaker is tripped.	• Check the house fuse/circuit breaker box and replace the fuse or reset the breaker.
	The Timer operation is not set correctly.	• Check the Timer functions and make sure they are set to the desired settings.
	The unit does not operate when restarted.	• This is normal. Wait about 3 minutes and the unit will restart.
The system does not cool as it should	Airflow is restricted.	• Make sure there are no curtains, blinds or furniture blocking the front of the system.
	The temperature control may not be set high or low enough.	• Turn to a lower or higher setting. The lowest setting provides maximum cooling.
	The air filter is dirty.	• Clean the filter at least every 30 days. See the <i>Operating Instructions</i> section.
	The room may have been hot.	• When the system is first turned on, you need to allow time for the room to cool down.
	Cold air is escaping.	• Check for open furnace floor registers and cold air returns.
The remote control display is faint or shows no display at all	The batteries are inserted incorrectly.	• Check the position of the batteries. They should be inserted in the opposite (+) and (-) direction.
	The batteries may be dead.	• Replace the batteries.

Normal Operating Sounds

- These sounds are common during the antifreeze cooling or heating modes.
- You may hear a sound like water flowing. This is the sound of refrigerant flowing inside the system.
- A noise that sounds like air being released is a design feature of dehumidifying water being processed inside the system.
- You may hear a clicking noise when you start or stop the unit. This sound is the expansion or contraction of the unit due to changes in the temperature.

Split System Warranty.



All warranty service provided by our designated service network. To schedule service, call 866.404.5245. For service in Canada, contact Gordon Williams Corp. at 1.888.209.0999. Please have serial number and model number available when calling for service.

Staple your receipt here. Proof of the original purchase date is needed to obtain service under the warranty.

For The Period Of: GE Will Replace:

One Year
From the date of the original purchase

Any part of the air conditioner which fails due to a defect in materials or workmanship. During this **limited one-year warranty**, GE will also provide, **free of charge**, all labor and related service to replace the defective part.

Five Years
From the date of the original purchase

Any part of the sealed refrigerating system (the compressor, condenser, evaporator and all connecting tubing) which fails due to a defect in materials or workmanship. During this **four-year limited additional warranty**, GE will also provide, **free of charge**, all labor and related service to replace the defective part.

What GE Will Not Cover:

- Service trips to your home to teach you how to use the product.
- Replacement of house fuses or resetting of circuit breakers.
- Improper installation, delivery or maintenance. If you have an installation problem, or if the air conditioner is of improper cooling capacity for the intended use, contact your dealer or installer. You are responsible for providing adequate electrical connecting facilities.
- Failure due to corrosion on models not corrosion-protected.
- Failure of the product resulting from modifications to the product or due to unreasonable use including failure to provide reasonable and necessary maintenance.
- Damage to the product caused by improper power supply voltage, accident, fire, floods or acts of God.
- In commercial locations labor necessary to move the unit to a location where it is accessible for service by an individual technician.
- Incidental or consequential damage caused by possible defects with this air conditioner.
- Damage caused after delivery.
- Product not accessible to provide required service.

EXCLUSION OF IMPLIED WARRANTIES—Your sole and exclusive remedy is product repair as provided in this Limited Warranty. Any implied warranties, including the implied warranties of merchantability or fitness for a particular purpose, are limited to one year or the shortest period allowed by law.

This warranty is extended to the original purchaser and any succeeding owner for products purchased for home use within the USA and Canada. If the product is located in an area where service by a GE Authorized Servicer is not available, you may be responsible for a trip charge or you may be required to bring the product to an Authorized GE Service location for service. In Alaska, the warranty excludes the cost of shipping or service calls to your home.

Some states do not allow the exclusion or limitation of incidental or consequential damages. This warranty gives you specific legal rights, and you may also have other rights which vary from state to state. To know what your legal rights are, consult your local or state consumer affairs office or your state's Attorney General.

Warrantor: General Electric Company, Louisville, KY 40225

Consignes de sécurité 20

Consignes d'utilisation

Entretien et nettoyage 24

Fonctions de la télécommande 22, 23

Piles 21

Instructions de montage

Avant de commencer 25

Branchements 28

Branchement électrique
de l'unité extérieure 31

Branchement électrique
de l'unité intérieure 29

Câblage électrique 29-31

Câble électrique 31

Dimensions 26

Emplacement 27

Essai de fonctionnement 33

Exigences électriques 25

Plaque de montage 28

Purge de l'air et test de fuite 32

Trou pour les tuyauteries 28

Tuyau de vidange 28

Unité extérieure 31, 32

Unité intérieure 29, 30

Conseils de dépannage 34

Bruits normaux de fonctionnement ... 34

Assistance à la clientèle

Assistance à la clientèle 36

Garantie 35

Modèles de Refroidissement

AE1CD10AM / AE0CD10AM

AE1CD14DM / AE0CD14DM

AE1CD20DM / AE0CD20DM

Modèles de Chauffage/Refroidissement

AE1RD10AM / AE0RD10AM

AE1RD14DM / AE0RD14DM

AE1RD20DM / AE0RD20DM

**Inscrivez ici le numéro de modèle et le numéro de série des unités
extérieures et intérieures:**

Numéro de modèle de l'unité intérieure _____

Numéro de série de l'unité intérieure _____

Numéro de modèle de l'unité extérieure _____

Numéro de série de l'unité extérieure _____

Vous trouverez ces numéros sur l'étiquette apposée sur le côté
de chaque appareil.

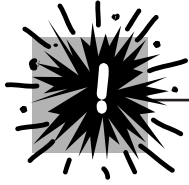
Consignes de sécurité	Consignes d'utilisation	Instructions de montage	Conseils de dépannage	Assistance à la clientèle
--------------------------	----------------------------	----------------------------	--------------------------	------------------------------

IMPORTANTES CONSIGNES DE SÉCURITÉ. VEUILLEZ LIRE TOUTES LES CONSIGNES AVANT UTILISATION.

Consignes
de sécurité

⚠ AVERTISSEMENT!

Pour votre sécurité, les informations contenues dans ce manuel doivent être suivies afin de minimiser les risques d'incendie, de chocs électriques ou de blessures corporelles.



CONSIGNES DE SÉCURITÉ

Consignes
d'utilisation

- N'utilisez cet appareil qu'aux fins prévues décrites dans le manuel d'utilisation.
- Ce système doit être correctement installé conformément aux Consignes de Montage avant toute utilisation.
- Tous les câblages devraient être adaptés à la valeur donnée sur la plaque signalétique. Utilisez uniquement des câbles en cuivre.

⚠ AVERTISSEMENT!

Risque de choc électrique. Peut provoquer des blessures voire la mort. Il est important que l'appareil soit branché à la terre avant de le connecter à l'alimentation électrique.

⚠ AVERTISSEMENT!

Risque de choc électrique. Peut provoquer des blessures voire la mort. Débranchez toutes les alimentations électriques avant d'effectuer l'entretien de l'appareil.

⚠ AVERTISSEMENT!

Risque de choc électrique. Peut provoquer des blessures voire la mort. Réparez ou remplacez immédiatement tout cordon électrique usé ou endommagé. N'utilisez pas un cordon fissuré ou présentant des dommages dus aux frottements soit sur sa longueur ou aux extrémités.

- Tous les travaux électriques doivent être effectués par un électricien qualifié conformément aux codes de construction locaux et nationaux et à la législation en vigueur.

Instructions
de montage

Conseils de
dépannage

Assistance
à la clientèle

- La maintenance doit être effectuée par un technicien qualifié.

⚠ AVERTISSEMENT!

Risque d'incendie. Peut provoquer des blessures voire la mort. Ne stockez pas et n'utilisez pas d'essence ou d'autres vapeurs et liquides inflammables dans les parages de cet appareil ou de tout autre appareil.

Pour tout entretien demandant l'ouverture du système de réfrigération étanche, il est requis par la législation fédérale que les travaux soient effectués par un technicien certifié Class II ou Universal.

- Tous les climatiseurs contiennent des fluides frigorigènes qui conformément à la législation fédérale doivent être retirés avant la mise au rebut de l'appareil. Si vous mettez au rebut un ancien appareil contenant des fluides frigorigènes, vérifiez la procédure à suivre auprès de la compagnie responsable de l'élimination.
- Pour les systèmes de climatisation au R410A, il est nécessaire que les entrepreneurs et les techniciens utilisent des outils, un équipement et des normes de sécurité autorisés pour ce fluide frigorigène. N'utilisez PAS d'équipement certifié pour le fluide frigorigène R22.



LISEZ ET SUIVEZ SOIGNEUSEMENT CES CONSIGNES
DE SÉCURITÉ.

CONSERVEZ CES INSTRUCTIONS

Procédure générale

REMARQUE : Pour obtenir de meilleurs résultats, pointez la télécommande en direction de l'unité intérieure.

- 1 Assurez-vous que l'appareil est branché à l'alimentation électrique puis appuyez sur la touche **ON/OFF (Marche/arrêt)** pour mettre l'appareil en marche.
- 2 Appuyez sur la touche **MODE (Mode)** pour sélectionner le mode de fonctionnement approprié.
- 3 Appuyez sur la touche **SWING (Orienter)** pour une orientation automatique des persiennes. Appuyez de nouveau sur cette touche pour arrêter le mouvement des persiennes.

- 4 Appuyez sur la touche **FAN (Ventilation)** pour régler la vitesse souhaitée du ventilateur (Automatique/Douce/Moyenne/Forte).
- 5 Appuyez sur la touche **TEMP +/- (Température)** pour régler l'appareil à la température désirée.

REMARQUE : Pour des instructions détaillées sur la télécommande, voir la section A *propos de la télécommande*.

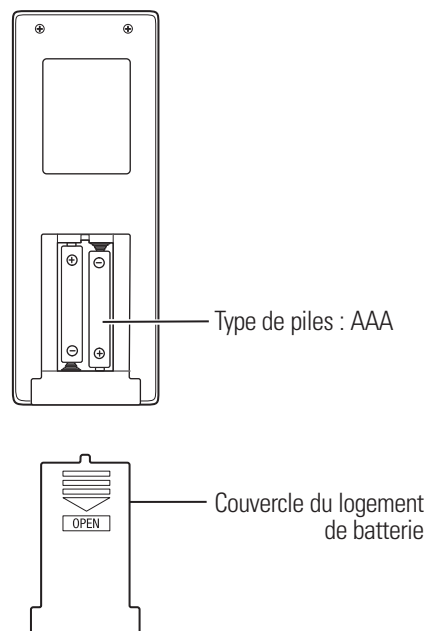
Comment insérer les piles

Deux piles AAA sont nécessaires au fonctionnement de la télécommande.

- 1 Enlevez le couvercle du logement au dos de la télécommande et insérez deux nouvelles piles (attention aux polarités).
- 2 Remettez le couvercle.

REMARQUES :

- Ne mélangez pas des piles neuves et des piles usagées et n'utilisez pas des piles différentes.
- Retirez les piles de la télécommande si vous prévoyez de ne pas utiliser le système pendant une longue durée.
- Le rayon d'action de la télécommande s'étend jusqu'à 6,1 m (20 pieds).
- La télécommande doit être placée à 1 m (3 pieds) ou plus d'un téléviseur ou de tout autre appareil électrique.



A propos de la télécommande.

La télécommande transmet les signaux au système. Les fonctions et l'apparence peuvent varier.

AUTO (Automatique)—Dans ce mode, l'unité maintient la température de la pièce entre 25 °C (77°F) et 20 °C (68 °F). Le ventilateur fonctionne en continu pendant que l'unité est en mode AUTO. Lorsque la température de la pièce dépasse 25 °C (77 °F), l'unité passe au mode COOL (Refroidissement). Lorsque la température de la pièce descend en dessous de 23 °C (73 °F), le ventilateur continue à fonctionner mais le mode COOL (Refroidissement) s'éteint. Lorsque la température de la pièce descend en dessous de 20 °C (68 °F), l'unité passe en mode HEAT (Chauffage). Lorsque la température de la pièce atteint 23 °C (73 °F), le ventilateur continue à fonctionner mais le mode HEAT (Chauffage) s'éteint.

REMARQUE : Le réglage de cette gamme de température ne peut être modifié et ne sera pas affiché.

❄️ **COOL (Refroidissement)**—Est utilisé pour refroidir la pièce à des températures variant de 16 °C (61 °F) à 30 °C (86 °F).

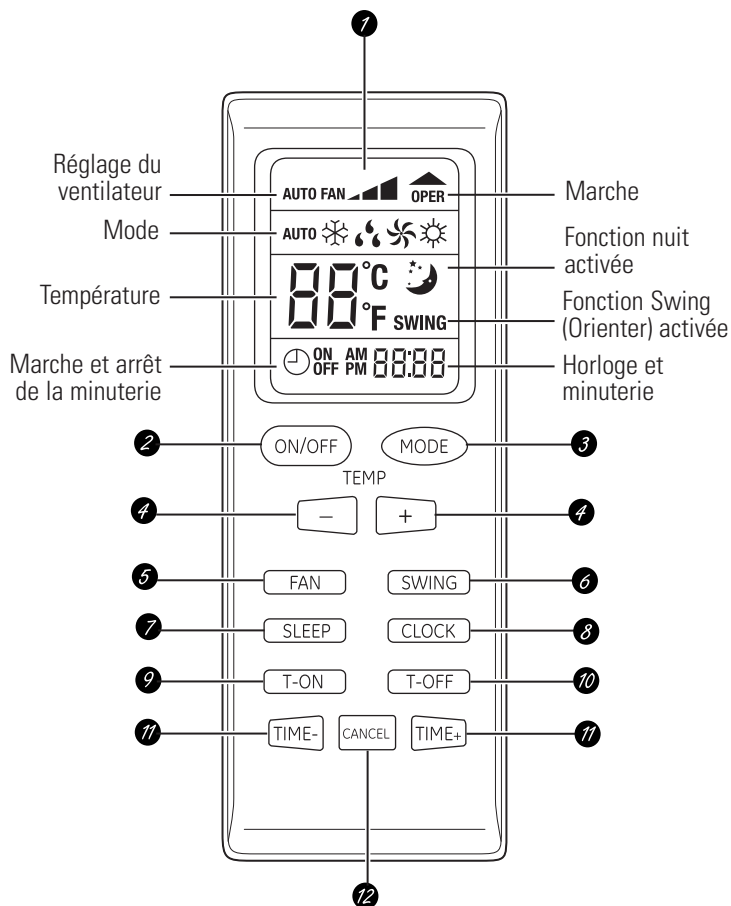
REMARQUE : L'unité ne donnera pas un refroidissement optimal si la température extérieure est inférieure à 15 °C (60 °F). Dans certaines conditions, il est possible que l'unité lance le cycle de protection contre le gel pendant environ 5 minutes pour retirer la glace formée sur le serpentin intérieur.

💧 **DRY (Déshumidification)**—Est utilisé pour déshumidifier la pièce. Le ventilateur fonctionne à une vitesse faible et fixe pour donner une déshumidification maximale. Les températures peuvent être réglées entre 16 °C (61 °F) et 30 °C (86 °F).

🌀 **FAN (Ventilation)**—Est utilisé pour éteindre ou mettre en marche la fonction n'utilisant que le ventilateur. Les modes COOL (Refroidissement), HEAT (Chauffage) et DRY (Déshumidification) ne pourront être utilisés.

☀️ **HEAT (Chauffage)** (pour les modèles équipés de cette fonction)—Est utilisé pour réchauffer la pièce à des températures variant de 16 °C (61 °F) à 30 °C (86 °F).

REMARQUE : Est utilisé pour éteindre ou mettre en marche la fonction n'utilisant que le ventilateur. L'unité ne donnera pas un chauffage optimal si la température extérieure est inférieure à -10 °C (14 °F). Dans certaines conditions, il est possible que l'unité lance le cycle de protection contre le gel pendant environ 8 minutes pour retirer la glace formée sur le serpentin extérieur. Pendant ce cycle, il est normal d'entendre des bruits de fonctionnement tels que le fluide frigorigène circulant dans le système.



La télécommande transmet les signaux au système.



Fonctions de la télécommande

- 1 Affichage**
Affiche les réglages lorsque l'appareil est mis en marche. Affiche seulement le réglage de la température et de l'heure lorsque l'appareil est éteint.
- 2 Touche ON/OFF (Marche/Arrêt)**
Appuyez sur cette touche pour allumer ou éteindre l'appareil.
- 3 Touche MODE (Mode)**
Appuyez sur cette touche pour passer à différents modes de fonctionnement AUTO (Automatique), ❄️ (COOL) (Refroidissement), 💧 (DRY) (Déshumidification), 🌀 (FAN ONLY) (Ventilation uniquement) ou 🔥 (HEAT) (Chauffage).
- 4 Touches TEMP (Température)**
Appuyez sur + pour augmenter la température de réglage par incrément d'1 °F. Appuyez sur - pour réduire la température de réglage par incrément d'1 °F. En mode COOL (Refroidissement) et HEAT (Chauffage), il est possible de sélectionner le réglage de la température entre 16 °C (61 °F) à 30 °C (86 °F). La le réglage de température ne sera pas affichée en mode AUTO (Automatique).
- 5 Touche FAN (Ventilation)**
Appuyez sur cette touche pour modifier la vitesse du ventilateur à AUTO FAN (Ventilation automatique), ▲ (Low Fan) (Ventilation douce), ▲▲ (Medium Fan) (Ventilation moyenne) ou ▲▲▲ (High Fan) (Forte ventilation).
- 6 Touche SWING (Orienter)**
Appuyez sur cette touche pour orienter automatiquement les persiennes. Appuyez de nouveau sur cette touche pour arrêter le mouvement des persiennes.
- 7 Touche SLEEP (Fonction nuit)**
Appuyez pour activer ou désactiver le mode SLEEP (Fonction nuit). Lorsque le climatiseur est en mode refroidissement et que la minuterie de nuit est activée, la température fixée augmentera automatiquement de 2 °F après la première heure et de 2 °F après la deuxième heure. Le mode SLEEP (Fonction nuit) est compatible avec les modes COOL (Refroidissement), HEAT (Chauffage) et DRY (Déshumidification).
- 8 Touche HORLOGE**
Appuyez sur cette touche pour régler l'heure. Appuyez sur TIME + ou TIME - pour régler l'heure par incrément d'une minute. Appuyez et maintenez appuyées les touches TIME + ou TIME - pour régler l'heure par incrément de 10 minutes.
- 9 Touche T-ON (Minuterie ☹️ activée)**
Lorsque le climatiseur est éteint, appuyez sur la touche T-ON (Minuterie activée) pour le programmer pour qu'il se mette en marche automatiquement (en utilisant les réglages précédents) à l'heure programmée.

Appuyez sur les touches TIME- ou TIME+ pour régler l'heure de mise en marche par incrément d'une minute.

Appuyez et maintenez appuyées les touches TIME- ou TIME+ - pour régler l'heure de mise en marche par incrément de 10 minutes.

Pour annuler ☹️ ON (T-ON) (Minuterie activée), appuyez sur la touche CANCEL (Annuler).
- 10 Touche T-OFF (Minuterie ☹️ désactivée)**
Lorsque le climatiseur est allumé, appuyez sur la touche T-OFF (Minuterie désactivée) pour le programmer pour qu'il s'arrête automatiquement à l'heure programmée.

Appuyez sur les touches TIME- ou TIME+ pour régler l'heure d'arrêt par incrément d'une minute.

Appuyez et maintenez appuyées les touches TIME- ou TIME+ pour régler l'heure d'arrêt par incrément de 10 minutes.

Pour annuler ☹️ OFF (Minuterie désactivée), appuyez sur la touche CANCEL (Annuler).
- 11 Touches TIME (Heure)**
Utilisez ces touches pour régler l'heure de la pendule (CLOCK) et des minuteries de mises en marche et d'arrêt (T-ON et T-OFF). Appuyez sur ces touches pour régler l'heure par incrément d'1 minute. Appuyez et maintenez appuyées ces touches pour régler l'heure par incrément de 10 minutes.
- 12 Touche CANCEL (Annulation)**
Appuyez sur cette touche pour annuler la/les minuterie(s).

Consignes de sécurité

Consignes d'utilisation

Instructions de montage

Conseils de dépannage

Assistance à la clientèle

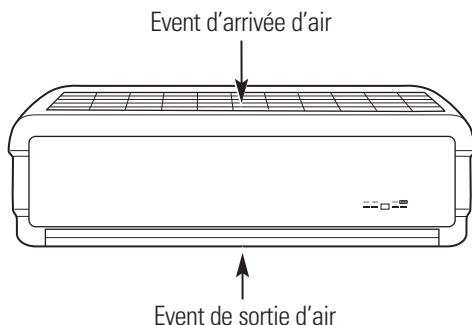
Entretien et nettoyage du climatiseur.

⚠ MISE EN GARDE : Avant d'effectuer l'entretien de votre appareil, débranchez l'alimentation électrique.

Unité intérieure

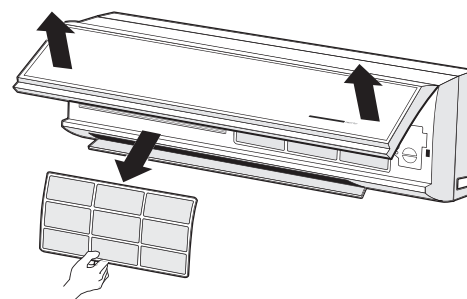
Grille, Logement et Télécommande

Eteignez le système avant de le nettoyer. Pour le nettoyer, essuyez-le avec un chiffon doux et sec. N'utilisez pas d'eau de Javel ou de nettoyeurs abrasifs.



Filtres à Air

Les deux filtres à air derrière la grille frontale doivent être inspectés et nettoyés au bout de 30 jours de fonctionnement ou plus souvent si nécessaire.



- 1 Ouvrez le panneau frontal d'accès ainsi.
- 2 Tirez légèrement la languette du filtre vers l'avant pour retirer le filtre. Nettoyez le filtre à l'aide d'un aspirateur ou avec de l'eau savonneuse tiède. Rincez le filtre et laissez-le sécher avant de le remettre dans le climatiseur.
- 3 Réinsérez les filtres et fermez le panneau frontal d'accès.

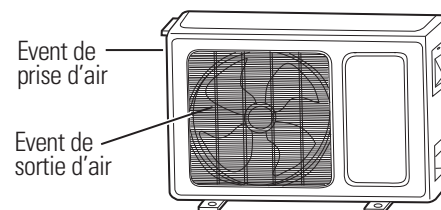
REMARQUE : NE faites PAS fonctionner le système sans un filtre sous peine de le boucher avec de la poussière et de la charpie et de réduire son efficacité.

Unité extérieure

Les serpentins échangeurs de chaleur et les événements de l'unité extérieure doivent être examinés régulièrement. S'ils sont bouchés par des saletés ou des débris, les serpentins échangeurs de chaleur et les événements doivent être nettoyés par un spécialiste.

REMARQUES :

- L'alimentation électrique doit être débranché avant de procéder à l'entretien de l'unité extérieure.
- Les serpentins sales ou bouchés réduiront l'efficacité de votre système et augmenteront les coûts de fonctionnement.



Si vous envisagez de ne pas utiliser votre climatiseur pendant une longue durée...

- 1 Faites fonctionner votre appareil dans le mode de ventilateur pendant 2 heures. Ce processus assèchera votre système.
- 2 Retirez les piles de la télécommande.
- 3 Couvrez l'unité extérieure avec une housse de protection.

REMARQUE : A la saison suivante, assurez-vous d'avoir retiré la housse de protection de l'unité extérieure avant de remettre le système en marche.

Instructions de montage

Climatiseurs Minibloc



AVANT DE COMMENCER

Lisez ces instructions entièrement et attentivement.

- **IMPORTANT** – Conservez ces instructions pour l'inspecteur électrique local.
- **IMPORTANT** – Respectez tous les codes et règlements en vigueur.
- **Remarque pour l'installateur** – Assurez-vous de remettre ces instructions au client.
- **Remarque pour le client** – Conservez ces instructions pour toute référence future.
- **Niveau de compétence** – Un technicien agréé et certifié (pour manipuler les frigorigènes R410A, récupération, etc.) et un électricien qualifié sont requis pour l'installation de ce système de climatisation à blocs.
- **Délai d'exécution** – Environ 2 heures ½.
- A cause du poids du produit, deux personnes sont requises pour installer cet appareil.
- L'installateur est responsable de l'installation correcte de l'appareil.
- La panne de l'appareil due à une mauvaise installation n'est pas couverte par la garantie.
- Pour des raisons de sécurité, cet appareil doit être correctement mis à la terre.
- Les dispositifs de protection (fusibles ou disjoncteurs) acceptables pour cette installation sont spécifiés sur la fiche signalétique de chaque unité.
- L'entretien et l'installation de ce système de climatisation doivent être effectués par un technicien qualifié, certifié pour l'installation de chauffage, de ventilation et de climatisation.
- Evitez d'avoir à effectuer des travaux de câblage et de plomberie dans le mur au moment de l'installation.
- Pour tout entretien demandant l'ouverture du système de réfrigération étanche, il est requis par la législation fédérale que les travaux soient effectués par un technicien certifié Class II ou Universal.

▲ MISE EN GARDE :

- N'utilisez pas de rallonges avec cet appareil.
- Un câblage en aluminium dans le domicile peut occasionner des problèmes particuliers—consultez un électricien qualifié.
- Lorsque l'unité est en position STOP (Arrêt), les commandes sont toujours sous tension.
- Débranchez le système de l'alimentation électrique avant d'effectuer l'entretien en retirant les fusibles du circuit dérivé ou en déclenchant le disjoncteur au niveau du tableau électrique.
- N'utilisez PAS d'équipement certifié pour le fluide frigorigène R22.



EXIGENCES ÉLECTRIQUES

- Assurez-vous que le câblage soit conforme aux codes de construction locaux et au NEC et que la tension d'alimentation pour ce système soit correcte. La tension d'alimentation du système est uniquement branchée à l'unité extérieure.
- Vérifiez la plaque signalétique sur le côté de l'unité extérieure pour connaître la protection et la tension d'alimentation requise.
- Utilisez un sectionneur de circuit dérivé homologué UL pour la tension d'alimentation aux unités extérieures et intérieures du système à blocs. Placez ce sectionneur à portée de vue et facilement accessible selon les codes locaux et le NEC.
- Tous les câblages devraient être adaptés aux valeurs données sur la plaque signalétique.
- Assurez-vous que le branchement à la terre est continu et non endommagé.
- Le câblage doit être protégé dans des tubes étanches équipés de connecteurs également étanches.

Instructions de montage

PIÈCES INCLUSES

- Plaque de montage
- Enduit
- Vis (5 pour les modèles à 10 000 et 14 000 BTU et 10 pour les modèles à 20 000 BTU)
- Télécommande
- Piles AAA (2)
- Tuyau de vidange
- Tuyau d'isolation
- Deux filtres (2)

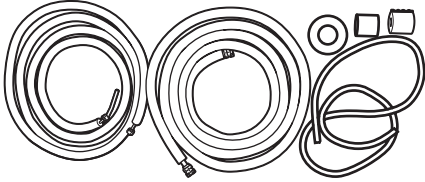
FOURNIS PAR L'INSTALLATEUR

Adaptateur : Soupape Schrader femelle 5/16 po, filetage male 1/4 po (1/2 po-20UN)



ACCESSOIRES EN OPTION

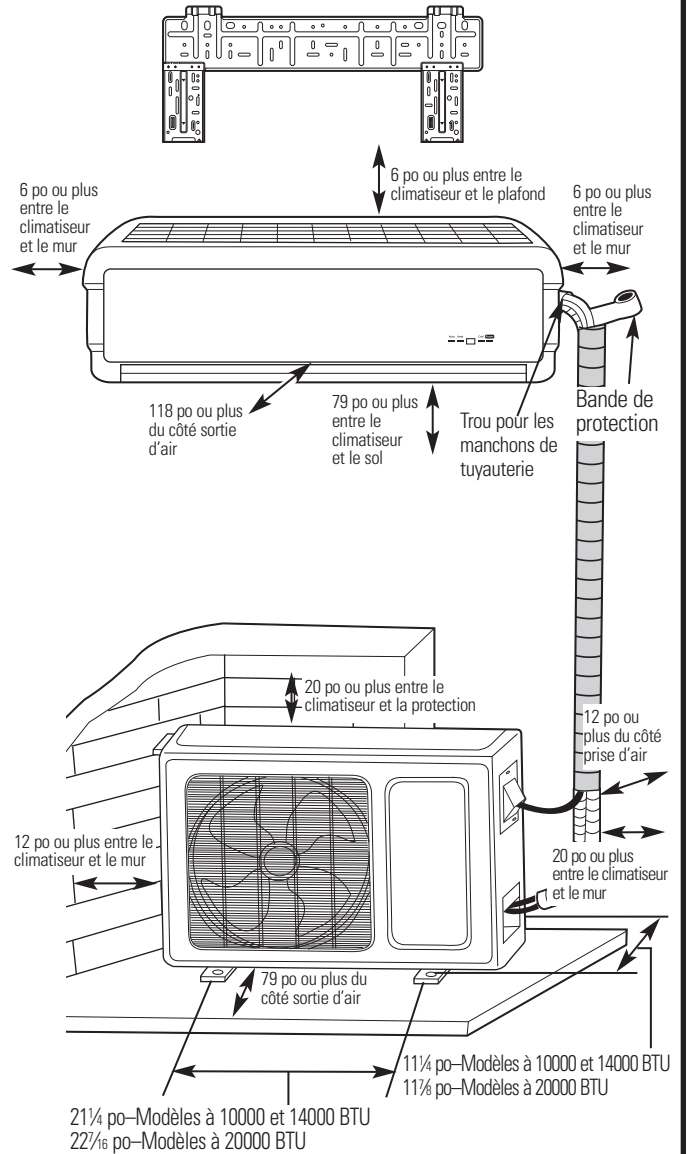
Pour faciliter le montage, les accessoires suivants peuvent être commandés :



Trouse GE	TUE1650	TUE3250
Pour une utilisation avec les modèles	AE1CD10AM	
	AE0CD10AM	
	AE1RD10AM	
	AE0RD10AM	
	AE1CD14DM	
	AE0CD14DM	
	AE1RD14DM	
	AE0RD14DM	
Diamètre et longueur du conduit d'aspiration	1/2 po x 16 pi.	1/2 po x 32 pi.
Diamètre et longueur du conduit de liquide	1/4 po x 16 pi.	1/4 po x 32 pi.
Longueur du tube d'isolation	16 pi.	32 pi.
Manchons pour trous dans le mur (2)	inclus	inclus
Bande de protection en PVC	inclus	inclus

Trouse GE	TUE1662	TUE3262
Pour une utilisation avec les modèles	AE1CD20DM	
	AE0CD20DM	
	AE1RD20DM	
	AE0RD20DM	
Diamètre et longueur du conduit d'aspiration	5/8 po x 16 pi.	5/8 po x 32 pi.
Diamètre et longueur du conduit de liquide	3/8 po x 16 pi.	3/8 po x 32 pi.
Longueur du tube d'isolation	16 pi.	32 pi.
Manchons pour trous dans le mur (2)	inclus	inclus
Bande de protection en PVC	inclus	inclus

DIMENSIONS DE L'INSTALLATION



REMARQUES IMPORTANTES :

- L'installation doit être effectuée par un électricien qualifié et par un technicien certifié Class II ou Universal.
- Lorsque vous soulevez et déplacez des unités, vous devez être guidé par une personne formée et qualifiée.

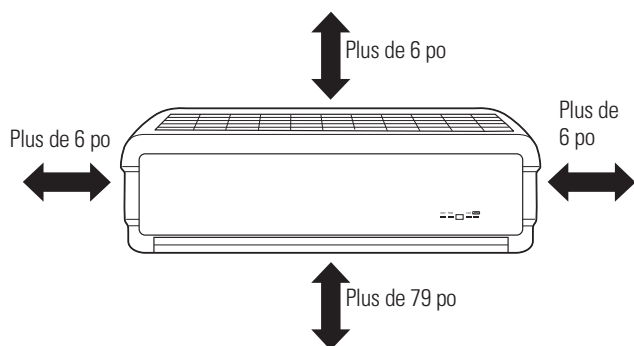
Instructions de montage

Lisez ces instructions entièrement et attentivement, puis suivez-les étape par étape.

1 CHOISISSEZ L'EMPLACEMENT LE PLUS APPROPRIÉ

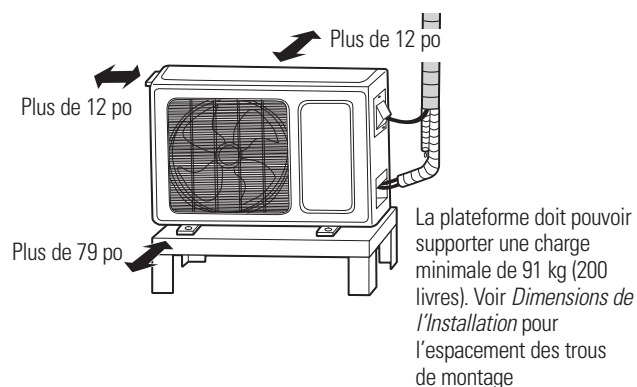
A UNITÉ INTÉRIEURE

- N'exposez pas votre unité à la chaleur ou la vapeur.
- Choisissez un emplacement sans obstacle devant l'unité.
- Assurez-vous que le condensat puisse être facilement évacué.
- N'installez pas l'appareil près d'une ouverture.
- Prévoyez un espace d'au moins 6 po à gauche et à droite de l'unité. Cette unité doit être installée le plus haut possible sur le mur, en prévoyant un espace d'au moins 6 po entre l'unité et le plafond.
- Utilisez un détecteur de montant pour localiser les montants et éviter tout dommage inutile au mur.
- Installez l'unité sur les montants et dans un emplacement d'où l'eau de condensation peut être facilement évacuée et qui permette une connexion facile à l'unité extérieure.
- Ne recouvrez pas l'entrée et la sortie pour ainsi permettre à l'air d'atteindre toutes les parties de la pièce.
- Installez l'unité dans un emplacement suffisamment solide pour supporter le poids et les vibrations de l'appareil.
- Assurez-vous que l'installation soit conforme aux dimensions indiquées sur le diagramme de montage.
- Laissez suffisamment de place pour permettre d'accéder à l'unité pour effectuer l'entretien de routine. L'unité doit être installée à une hauteur minimale de 79 po du sol.
- Installez dans un emplacement éloigné d'au moins 3 pi de tout autre appareil électrique tel qu'un téléviseur et des appareils audio.
- Choisissez un emplacement vous permettant un accès facile pour retirer et nettoyer le filtre.



B UNITÉ EXTÉRIEURE

- Si une marquise est construite au-dessus de l'unité pour la protéger d'une exposition directe au soleil ou à la pluie, assurez-vous que le rayonnement de chaleur en provenance du condenseur ne soit pas restreint.
- Prévoyez un espace d'au moins 12 po à l'arrière et sur les côtés de l'unité. Le devant de l'unité doit avoir un espace de 79 po.



- Installez l'unité dans un emplacement suffisamment solide pour permettre une installation sûre qui puisse supporter le poids et les vibrations de l'appareil.
- Construisez et ancrez une base solide et de niveau pour l'unité extérieure.
- Ancrez l'unité grâce à ses quatre montants, en utilisant les boulons.
- Choisissez un emplacement où le bruit et l'air émis par l'unité ne dérangeront pas les voisins.
- Dans les endroits humides, l'unité risque de suinter et l'eau de condensation peut s'en écouler. Tenez compte de ce point lorsque vous choisissez l'emplacement.
- Choisissez un emplacement suffisamment ventilé.
- Ne couvrez pas l'entrée et la sortie.
- Installez l'unité à l'écart des gaz inflammables ou des fuites de gaz corrosifs.
- Assurez-vous que l'installation soit conforme aux dimensions indiquées sur le diagramme de montage.
- **Installation sur un toit :**
Si l'unité extérieure doit être installée sur un toit, assurez-vous que l'unité est de niveau. Assurez-vous que la structure du toit et la méthode d'ancrage soit adéquate pour l'unité. Consultez les codes locaux concernant une installation sur un toit.

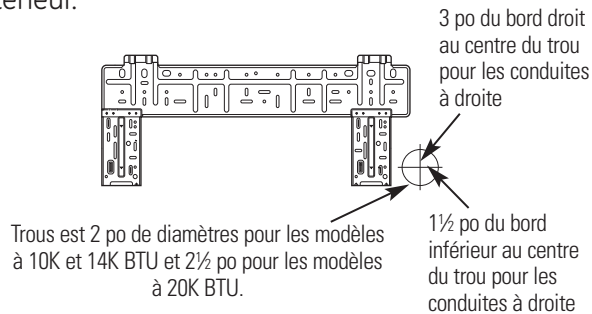
2 INSTALLATION

1 INSTALLATION DU PLAQUE DE MONTAGE

- Installez toujours le plaque de montage horizontalement.
- Fixez le plaque de montage à l'emplacement choisi avec les vis fournies avec l'unité.
- Assurez-vous que le plaque de montage est correctement fixé pour soutenir le poids d'un adulte d'environ 60 Kg (130 livres). De plus, tout le poids doit être uniformément réparti sur chaque vis.

2 INSTALLATION DU TROU POUR LES CONDUITES

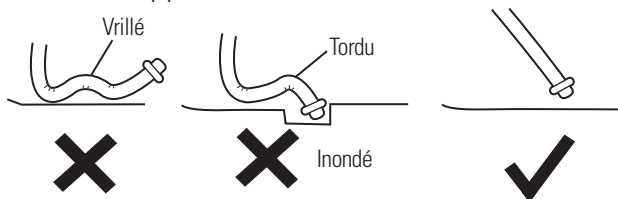
- Le trou pour les conduites doit être incliné vers l'extérieur.



- Pour permettre à l'eau de s'évacuer et pour éviter tout dommage au câblage et aux conduites, insérez un tuyau en plastique de 2 1/2 po de diamètre, coupé à une longueur égale à la profondeur du mur. Insérez les conduites et le câblage par ce tuyau.
- Les tubes en cuivre doivent être bouchés jusqu'à ce que vous soyez prêt à installer le raccord conique, pour éviter toute contamination.

3 INSTALLATION DU TUYAU D'ÉVACUATION

- Pour une bonne évacuation, le tuyau d'évacuation doit être incliné vers le bas.
- Ne vrillez pas ou ne tordez pas le tuyau d'évacuation, ne le laissez pas dans l'eau stagnante.
- Le tuyau d'évacuation allongé dans la pièce doit être enveloppé de matériau isolant.



4 INSTALLATION DES TUYAUX DE CONNEXION

- Branchez les tuyaux de cuivre de connexion avec les raccords union de l'unité intérieure et resserrez le raccord conique des tuyaux de connexion.

REMARQUE : Courbez délicatement les tuyaux de connexion pour éviter de les endommager.

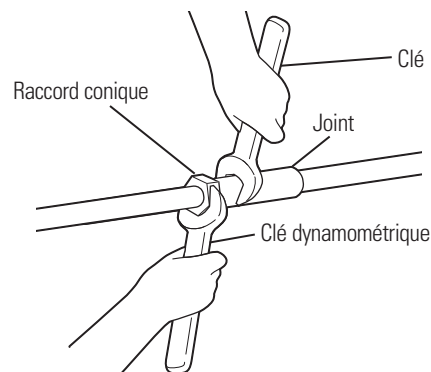
1. Alignez le centre de l'évasement du tuyau avec le robinet correspondant.
2. Vissez le raccord conique à la main, puis serrez-le à l'aide d'une clé et d'une clé dynamométrique. Référez-vous au tableau ci-dessous pour obtenir le couple de serrage approprié.
3. Le spécification du tuyau de connection est indiquée ci-dessous :

Spécifications	Modèles	
	10 000/14 000 BTU	20 000 BTU
Longueur designee (pieds)	20	26,2
Extra Charge Refrigerant par pieds par-dessus longueur designee (oz/ft)	0,16	0,54
Diamètre extérieur du tuyau de liquide (pouces)	1/4	3/8
Diamètre extérieur des tuyaus de gaz (pouces)	1/2	5/8
Max Distance Hauteur (pieds)	33	33
Distance Max Longueur (pieds)	68	98

REMARQUE : Si vous dépassez le couple de serrage, vous endommagerez les tubes en cuivre.

Tableau de couple de serrage

Diamètre extérieur du tuyau en cuivre	Couple de serrage (po/livre)
1/4 po	140-170
3/8 po	270-310
1/2 po	440-480
5/8 po	530-570



Instructions de montage

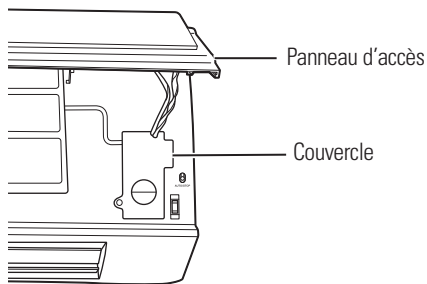
5 BRANCHEMENT DU CÂBLAGE ÉLECTRIQUE ENTRE LES UNITÉS EXTÉRIEURE ET INTÉRIEURE

- Tous les câblages devraient être adaptés à la valeur donnée sur la plaque signalétique.
- L'alimentation électrique doit pouvoir accommoder la tension nominale.
- Le câblage doit être effectué par un électricien qualifié conformément aux codes locaux, aux législations et à cette notice.
- Toutes les connexions de câblage doivent être serrées adéquatement.

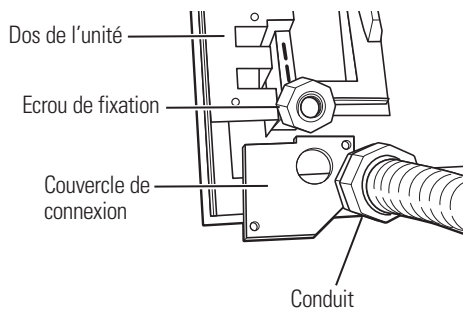
6 CÂBLAGE DE L'UNITÉ INTÉRIEURE

REMARQUE : Utilisez un sectionneur de circuit dérivé homologué UL pour la tension d'alimentation aux unités extérieures et intérieures du système à blocs. Placez ce sectionneur à portée de vue et facilement accessible selon les codes locaux et le NEC.

1. Ouvrez le panneau d'accès frontal.
2. Retirez le couvercle du coffret de branchement.

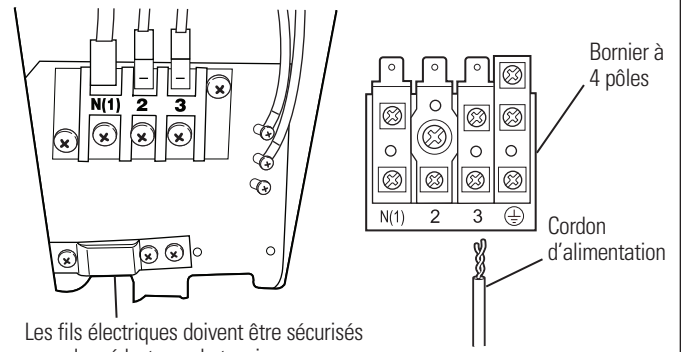


3. Au dos de l'unité intérieure, retirez le couvercle de connexion du conduit. À l'aide de l'écrou de fixation, branchez le conduit au couvercle de connexion. Faites passer les câbles à travers l'unité jusqu'au coffret de branchement. Réinstallez le couvercle de connexion.

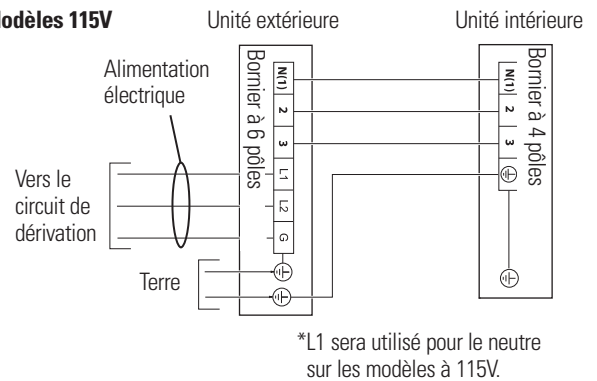


6 CÂBLAGE DE L'UNITÉ INTÉRIEURE (suite)

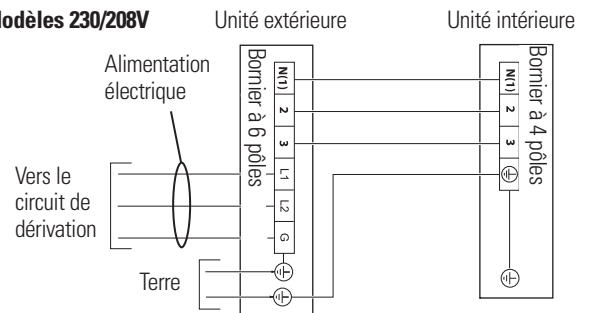
REMARQUE : Le câblage doit être effectué par un électricien qualifié conformément aux codes locaux, aux législations et à cette notice. Le fil de branchement doit être correctement branché à l'interface du circuit.



Modèles 115V



Modèles 230/208V



REMARQUES :

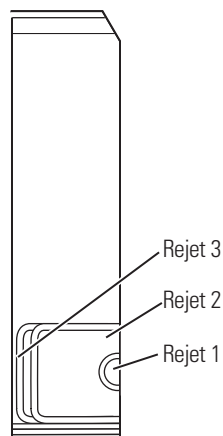
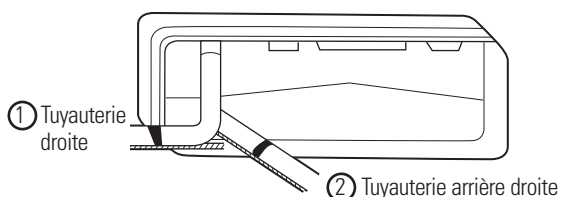
- Le câblage doit suivre les schémas de câblage ci-dessus.
 - Serrez l'écrou du bornier pour s'assurer que ce dernier est bien fixé.
 - Après serrage, le fil ne doit pas pouvoir être enlevé en tirant.
 - Le climatiseur fonctionnera de façon anormale si les fils ne sont pas branchés correctement.
 - Une mauvaise mise à la terre provoquera des courts-circuits.
4. Remettez le couvercle sur le coffret de branchement et abaissez le panneau d'accès en position fermée.

2 INSTALLATION (suite)

7 INSTALLATION DE L'UNITÉ INTÉRIURE

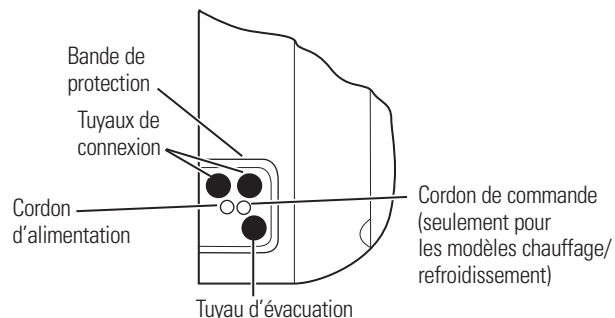
- Faites passer les tuyaux et le câblage sur la droite de l'unité intérieure. Découpez les parties en excès du châssis si nécessaire.

- Découpez le rejet 1 lorsque vous faites seulement passer le câblage.
- Découpez les rejets 1 et 2 (ou rejets 1, 2 et 3) lorsque vous faites passer le câblage et les tuyauteries. ① et ② ci-dessous sont les tuyauteries recommandées.

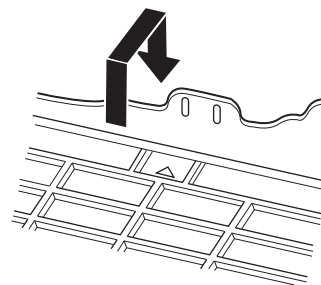


7 INSTALLATION DE L'UNITÉ INTÉRIURE (suite)

- Enveloppez les tuyauteries et le câblage et tirez-les au travers du trou découpé.



- Accrochez les fentes de montage de l'unité intérieure aux languettes supérieures de la plaque de montage et assurez-vous que le système soit résistant.

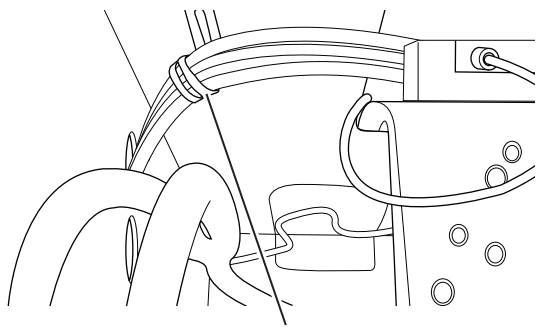
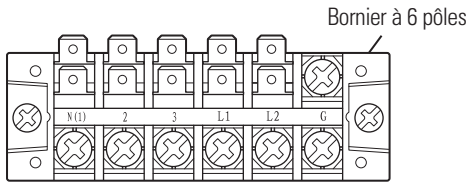


- L'unité doit être installée à une hauteur minimale de 79 po du sol.

Instructions de montage

8 CÂBLAGE DE L'UNITÉ EXTÉRIEURE

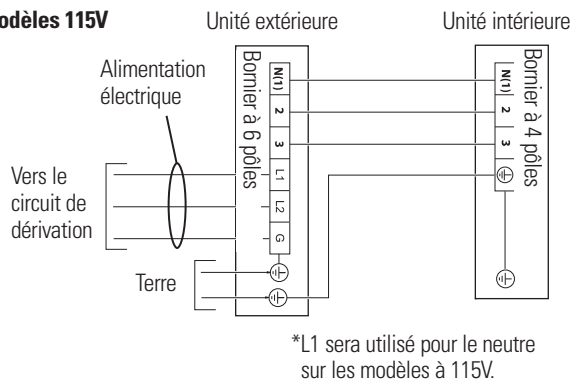
1. Ouvrez le couvercle de l'unité extérieure.
2. Le câble de connexion provenant du bornier de l'unité intérieure doit être branché correctement.
3. Ce câble doit être un peu plus long que nécessaire pour permettre un entretien facile.



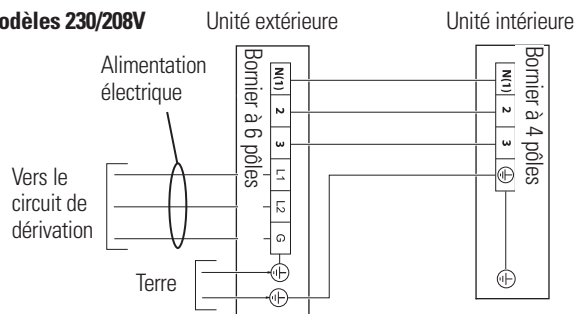
Enveloppez les cordons électriques à l'aide des attaches métalliques servant de réducteurs de tension.

Modèles à 10000 et 14000 BTU

Modèles 115V



Modèles 230/208V



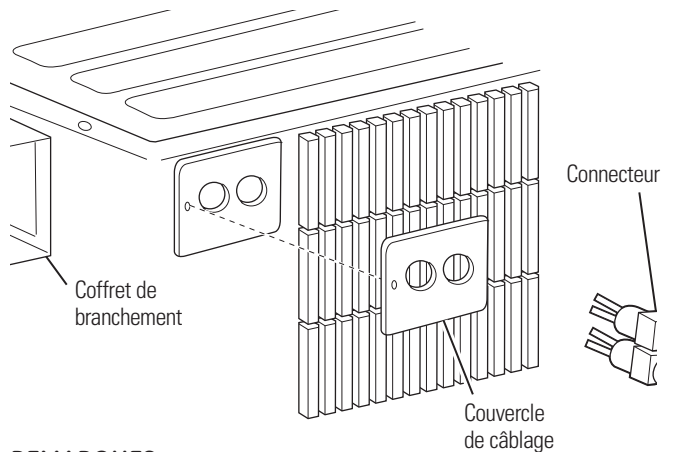
8 CÂBLAGE DE L'UNITÉ EXTÉRIEURE (suite)

REMARQUES :

- Le câblage doit suivre les schémas de câblage ci-dessus.
- Serrez l'écrou du bornier pour s'assurer que ce dernier est bien fixé.
- Après serrage, le fil ne doit pas pouvoir être enlevé en tirant.
- Le climatiseur fonctionnera de façon anormale si les fils ne sont pas branchés correctement.
- Une mauvaise mise à la terre provoquera des courts-circuits.
- Les branchements électriques doivent être effectués par un électricien qualifié.
- Tous les travaux électriques doivent être effectués conformément à la législation et aux codes locaux.

9 INSTALLATION DU CÂBLE D'ALIMENTATION

1. Ouvrez le couvercle de protection des câblages et retirez les pastilles poinçonnées.
2. Le connecteur doit être fixé à l'aide de l'écrou et le couvercle du câblage doit être remis en place et fixé à l'aide de la vis fournie.
3. Tout le câblage doit être protégé dans un tuyau étanche et les connexions au couvercle du câblage doivent être faites à l'aide de connecteurs étanches.



REMARQUES :

- Le fil de connexion et le tuyau de connexion ne doivent pas être en contact.
- Le couvercle supérieur de l'unité extérieure et le coffret de branchement doivent être fixés par une vis. Dans le contraire, il peut en résulter un incendie ou un court-circuit provoqué par la poussière ou l'eau.
- Utilisez un sectionneur de circuit dérivé homologué UL pour la tension d'alimentation aux unités extérieures du système à blocs. Placez ce sectionneur à portée de vue et facilement accessible selon les codes locaux et le NEC.

2 INSTALLATION (suite)

10 INSTALLATION DE L'UNITÉ EXTÉRIEURE

• Installez le tuyau de connexion

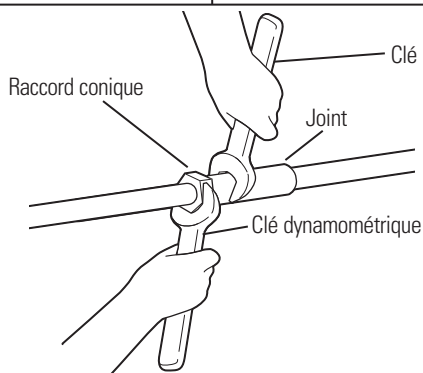
1. Alignez le centre de l'évasement du tuyau avec le robinet correspondant.
2. Vissez le raccord conique à la main, puis serrez-le à l'aide d'une clé et d'une clé dynamométrique. Référez-vous au tableau ci-dessous pour obtenir le couple de serrage approprié.
3. Le spécification du tuyau de connection est indiquée ci-dessous :

Spécifications	Modèles	
	10 000/14 000 BTU	20 000 BTU
Longueur designee (pieds)	20	26,2
Extra Charge Refrigerant par pieds par-dessus longueur designee (oz/ft)	0,16	0,54
Diamètre extérieur du tuyau de liquide (pouces)	1/4	3/8
Diamètre extérieur des tuyaus de gaz (pouces)	1/2	5/8
Max Distance Hauteur (pieds)	33	33
Distance Max Longueur (pieds)	68	98

REMARQUE : Si vous dépassez le couple de serrage, vous endommagerez les tubes en cuivre.

Tableau de couple de serrage

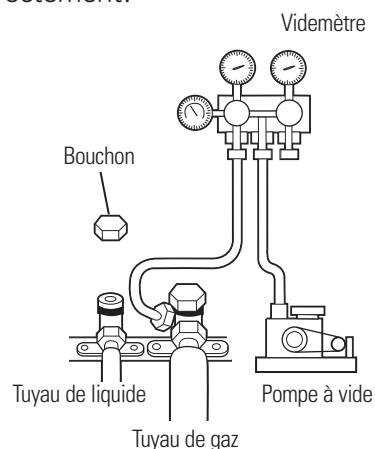
Diamètre extérieur du tuyau en cuivre	Couple de serrage (po/livre)
1/4 po	140-170
3/8 po	270-310
1/2 po	440-480
5/8 po	530-570



REMARQUE : Pour éviter l'infiltration de vent ou d'animaux nuisibles, scellez les trous autour des tuyauteries et du câblage à l'aide de l'enduit fourni.

11 PURGE DE L'AIR ET TEST DE FUITES

1. Installez les tuyaux de connexion des unités intérieure et extérieure.
2. **N'OUVREZ PAS LES ROBINETS DE GAZ AVANT QUE LE PROCESSUS DE PURGE NE SOIT TERMINÉ.**
3. Retirez le bouchon du port de maintenance de la conduite de gaz et branchez le robinet de gaz au videmètre, à la pompe à vide et à l'unité extérieure.
REMARQUE : Effectuez le branchement à l'aide d'un adaptateur 1/4 po femelle x 1/2 po mâle, obtenu localement.
4. Lancez la pompe à vide. (La pompe doit fonctionner un minimum de 15 minutes.)
5. Vérifiez le vide à l'aide du videmètre. La jauge doit indiquer -30 po Hg. Après la purge, fermez complètement la poignée du robinet d'intercommunication (sur le dispositif de pompe à vide). Puis arrêtez la pompe à vide et débranchez-la.
6. Le système doit être gardé sous pression pendant 1 à 2 minutes pour confirmer que la valeur affichée au videmètre ne change pas. La pression doit être de -30 po Hg.
7. Retirez la conduite de vide et remettez le bouchon du port de maintenance en place.
8. Retirez les bouchons des robinets de liquide et de gaz.
9. Ouvrez les robinets de gaz et de liquide complètement, en utilisant la clé Allen de 5 mm. Si vous n'ouvrez pas les robinets complètement, l'efficacité de l'appareil sera réduite ou un problème surviendra.
10. Remettez les bouchons en place et serrez-les correctement.



Instructions de montage

13 ESSAI DE FONCTIONNEMENT ET VÉRIFICATIONS APRÈS INSTALLATION

Essai de fonctionnement

1. Avant l'essai de fonctionnement

- Ne branchez pas votre appareil avant que l'installation ne soit complètement achevée.
- Le câblage électrique doit être branché de façon correcte et sûre.
- Les soupapes de détente des tuyaux de connexion doivent être ouvertes.
- Toutes les impuretés telles que les résidus et particules doivent être éliminées de l'unité.

2. Procédure d'essai de fonctionnement

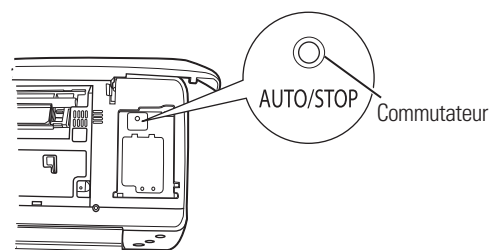
- Branchez l'appareil et appuyez sur la touche **ON/OFF (Marche/arrêt)** de votre télécommande pour allumer le climatiseur.
- Appuyez sur la touche **MODE** et vérifiez le fonctionnement de chacun des modes.

Uniquement pour les modèles à 10000 et 14000 BTU :

- Si vous avez égaré la télécommande, l'appareil peut fonctionner en urgence en utilisant un stylo bille ou tout objet similaire.

- a. Lorsque l'appareil est éteint, placez le commutateur sur le mode AUTO (Automatique). L'unité fonctionnera automatiquement dans le mode sélectionné par le micro-ordinateur en fonction de la température de la pièce. Si vous souhaitez éteindre l'unité, appuyez à nouveau sur le commutateur.
- b. Lorsque l'unité est allumée, placez le commutateur sur le mode STOP (Arrêt) pour cette dernière.

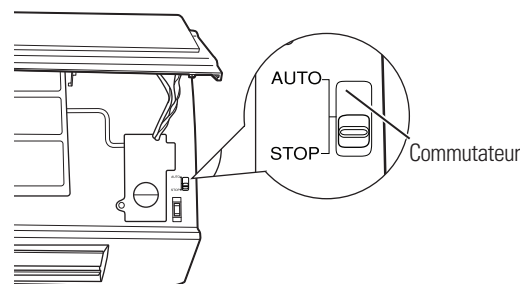
Modèles à 10000 et 14000 BTU



Uniquement pour les modèles à 20000 BTU :

- Si vous avez égaré la télécommande, ouvrez le panneau d'accès frontal et effectuez la procédure suivante :
- a. Placez le commutateur sur AUTO (Automatique) pour faire fonctionner l'appareil en mode automatique. Dès réutilisation de la télécommande et détection d'un signal, l'unité pourra à nouveau être contrôlée par la télécommande.
 - b. Placez le commutateur sur STOP (Arrêt) pour éteindre l'unité.

Modèles à 20000 BTU



Liste de vérification d'installation

- L'unité a-t-elle été solidement installée ? Dans le cas contraire, l'unité peut tomber, vibrer ou faire du bruit.
- L'essai d'étanchéité du liquide frigorigène a-t-il été effectué ? La capacité de refroidissement peut être réduite à cause des fuites.
- L'évacuation de l'eau est-elle adéquate ? Une mauvaise évacuation de l'eau peut provoquer de la condensation et des ruissellements.
- Le voltage est-il correct et en accord avec la plaque signalétique ? Un voltage incorrect peut provoquer une panne électrique. Des informations d'aide au diagnostic existent pour cette unité. Contactez votre technicien de service.
- L'appareil est-il correctement branché à la terre ? Une connexion à la terre non sécurisée peut endommager l'appareil.
- Les admission et sortie d'air sont-elles découvertes ? La capacité de refroidissement peut être réduite si l'admission ou la sortie d'air est couverte.
- La longueur des tuyaux de connexion et la capacité en fluide frigorigène ont-elles été notées ? Il est important de connaître ces valeurs pour une référence future.

Avant d'appeler à un technicien...

Conseils de dépannage: Economisez du temps et de l'argent ! Consultez d'abord le tableau ci-dessous pour peut-être éviter de faire appel à un technicien

Problème	Causes Possibles	Que faire
Le système ne démarre pas	Le fusible est grillé/ le disjoncteur est déclenché.	• Vérifiez la boîte de fusibles du domicile/le disjoncteur et remplacez les fusibles grillés/enclenchez le disjoncteur.
	La minuterie n'est pas réglée correctement.	• Vérifiez les fonctions Timer (Minuterie) et assurez-vous qu'elles soient sur les bons réglages.
	L'unité ne fonctionne pas après remise en route.	• C'est normal. Attendez 3 minutes et l'unité se remettra en marche.
Le système ne refroidit pas comme il le devrait	La circulation d'air est restreinte.	• Assurez-vous que des rideaux, des stores ou des meubles ne bloquent pas le devant du système.
	La température n'est peut-être pas réglée à une valeur assez élevée ou assez basse.	• Passez à un réglage plus élevé ou plus bas. Les réglages les plus bas donnent le refroidissement maximal.
	Le filtre à air est sale.	• Nettoyez le filtre au moins tous les 30 jours. Consultez la section <i>Instructions d'Utilisation</i> .
	La température dans la pièce était peut-être élevée.	• Après avoir mis le système en marche, attendez que la température dans la pièce se refroidisse.
L'affichage sur la télécommande est à peine ou pas visible	L'air froid s'échappe.	• Vérifiez les grilles à registre au sol du four et les retours d'air froid.
	Les piles ne sont pas insérées correctement.	• Vérifiez la position des piles. Elles doivent être insérées de façon à ce que les pôles (+) et (-) de la pile soient orientés dans des directions opposées.
	Les piles sont peut-être usées.	• Remplacez les piles.

Bruits normaux de fonctionnement

- Ces bruits sont courants pendant les modes de protection contre le gel, de refroidissement ou de chauffage.
- Vous entendrez peut-être de l'eau couler. Ce bruit est provoqué par le fluide frigorigène circulant dans l'appareil.
- Le bruit qui ressemble à une libération d'air provient d'une fonction du traitement de l'eau de déshumidification dans le système.
- Vous pourrez entendre un cliquetis à la mise en marche et à l'arrêt de l'unité. Ce bruit provient de l'expansion ou de la contraction de l'unité provoquée par les variations de températures.

Garantie du système à blocs.

www.electromenagersge.ca



Tous les services en vertu de la garantie sont fournis par notre réseau de maintenance spécialement prévu à cet effet. Pour prévoir un service, appelez le 866.404.5245. Pour un service au Canada, contactez Gordon Williams Corp. au 1.888.209.0999. Veuillez avoir votre numéro de série et votre numéro de modèle à portée de main lorsque vous appelez pour obtenir un service.

Agrafez le reçu d'achat ici. Pour obtenir le service sous garantie, vous devrez fournir la preuve de l'achat original.

Pour la période de : Nous remplacerons :	
Un an À partir de la date d'achat original	Toute pièce du conditionneur qui ne fonctionne pas à cause d'un vice de matériau ou de main-d'œuvre. Pendant cette garantie limitée d'un an , nous fournirons également, gratuitement , toute la main-d'œuvre et le service connexe nécessaires pour remplacer la pièce défectueuse.
Cinq ans À partir de la date d'achat original	Tout élément du système de réfrigération scellé (le compresseur, le condensateur, l'évaporateur et tous les tuyaux de connexion) qui ne fonctionne pas à cause d'un vice de matériau ou de main-d'œuvre. Pendant cette garantie limitée supplémentaire de quatre ans , nous fournirons également, gratuitement , toute la main-d'œuvre et le service connexe nécessaires pour remplacer la pièce défectueuse.

Ce qui n'est pas couvert :

- Les déplacements de service à votre maison pour vous apprendre à utiliser le produit.
- Un montage, une livraison ou un entretien déficient. Si vous avez un problème de montage ou si le conditionneur n'a pas la bonne capacité de refroidissement pour son usage prévu, appelez votre revendeur ou votre installateur. Vous êtes responsable de fournir une installation de raccordement électrique convenable.
- Les pannes occasionnées par des modifications au produit ou une utilisation non raisonnable, en particulier une absence d'entretien raisonnable et nécessaire.
- Dans les emplacements commerciaux, la main-d'œuvre nécessaire pour déménager l'appareil jusqu'à un emplacement où il est accessible par un technicien particulier.
- Le remplacement des fusibles de la maison ou la réactivation des disjoncteurs.
- Les pannes occasionnées par la corrosion sur les modèles qui ne sont pas protégés contre la corrosion.
- Les dommages occasionnés par un mauvais voltage de l'alimentation électrique, un accident, un incendie, une inondation ou une calamité naturelle.
- Les dommages indirects et consécutifs à la propriété personnelle occasionnés par des vices possibles de ce conditionneur.
- Les dommages occasionnés par la livraison.
- Le service s'il est impossible d'avoir accès au produit pour ce faire.

EXCLUSION DE GARANTIES IMPLICITES – Votre seul et unique recours est la réparation du produit selon les dispositions de cette Garantie limitée. Toutes les garanties implicites, incluant les garanties de commercialité et d'adéquation à un usage spécifique, sont limitées à une année ou à la période la plus courte autorisée par la législation.

Cette garantie couvre l'acheteur original et tout possesseur subséquent de produits achetés pour un usage au Canada. Si le produit est installé dans une région où ne se trouve aucun réparateur autorisé GE, vous devrez peut-être assumer les frais de transport ou apporter expédier le produit à un centre de service autorisé GE.

Certaines provinces ne permettent pas l'exclusion ou la limitation des dommages indirects ou consécutifs et, par conséquent, l'exclusion ci-dessus peut ne pas s'appliquer à vous. Cette garantie vous donne des droits juridiques particuliers et vous pouvez également avoir d'autres droits qui varient d'une province à l'autre. Pour connaître vos droits juridiques dans votre province, consultez votre bureau local ou provincial de protection des consommateurs.

Consignes de sécurité

Consignes d'utilisation

Instructions de montage

Conseils de dépannage

Assistance à la clientèle

Assistance à la clientèle.



Site Internet GE

www.electromenagersge.ca

Pour toute question ou pour un besoin d'assistance au sujet de votre appareil ménager, consultez le site Internet ci-dessus, accessible 24 heures par jour, chaque jour de l'année! À partir du site, vous pouvez télécharger les manuels d'utilisation.

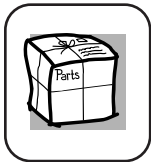


Studio de conception réaliste

www.electromenagersge.ca

Sur demande, GE peut fournir une brochure sur l'aménagement d'une cuisine pour les personnes à mobilité réduite.

Écrivez: Directeur, Relations avec les consommateurs, Mabe Canada, Inc.
Bureau 310, 1 Factory Lane
Moncton, N.B. E1C 9M3



Pièces et accessoires

www.electromenagersge.ca

Ceux qui désirent réparer eux-mêmes leurs électroménagers peuvent recevoir pièces et accessoires directement à la maison (cartes VISA, MasterCard et Discover acceptées).

Les procédures expliquées dans le présent manuel peuvent être exécutées par n'importe quel utilisateur. GE n'offre pas de services de réparation pour ce produit. Nous vous recommandons fortement de ne pas tenter de réparer vous-même le produit.

Vous trouverez dans les pages jaunes de votre annuaire le numéro du Centre de service Mabe le plus proche. Autrement, appelez-nous au 1.800.561.3344.



Contactez-nous

www.electromenagersge.ca

Si vous n'êtes pas satisfait du service après-vente dont vous avez bénéficié :

Premièrement, communiquez avec les gens qui ont réparé votre appareil.

Ensuite, si vous n'êtes toujours pas satisfait envoyez tous les détails—numéro de téléphone compris—au
Directeur, Relations avec les consommateurs, Mabe Canada, Inc.
Bureau 310, 1 Factory Lane
Moncton, N.B. E1C 9M3

Instrucciones de seguridad 38

Instrucciones de funcionamiento

Cuidado y limpieza 42, 43
Funciones del control remoto 40, 41
Pilas 39

Instrucciones de instalación

Antes de comenzar 44
Cableado de la unidad exterior 50
Cableado de la unidad interior 48
Cableado eléctrico 48-50
Conducto de la tubería 47
Dimensiones 45
Línea eléctrica 50
Manguera de drenaje 47
Operación de prueba 52
Placa de montaje 47
Prueba de pérdida y purificación de aire 51
Requisitos eléctricos 44
Tubos de conexión 47
Ubicación 46
Unidad de exterior 51
Unidad de interior 49

Consejos para la solución de problemas 53

Sonidos de funcionamiento normal 53

Apoyo al cliente

Garantía 54
Apoyo al cliente 55

Modelos de refrigeración únicamente

AE1CD10AM / AE0CD10AM
AE1CD14DM / AE0CD14DM
AE1CD20DM / AE0CD20DM

Modelos de calefacción/refrigeración

AE1RD10AM / AE0RD10AM
AE1RD14DM / AE0RD14DM
AE1RD20DM / AE0RD20DM

Escriba los números de modelo y de serie tanto de la unidad de exterior como de la interior:

Nº de Modelo de Interior _____

Nº de Serie de Interior _____

Nº de Modelo de Exterior _____

Nº de Serie de Exterior _____

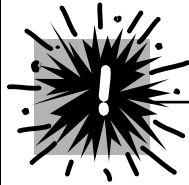
Estos números se encuentran en una etiqueta al costado de cada unidad.

Instrucciones de seguridad
Instrucciones de funcionamiento
Instrucciones de instalación
Consejos para la solución de problemas
Apoyo al cliente

INFORMACIÓN IMPORTANTE DE SEGURIDAD. LEA TODAS LAS INSTRUCCIONES ANTES DE USAR.

⚠ ¡ADVERTENCIA!

Para su seguridad, siga las instrucciones de este manual a fin de minimizar riesgos de incendio, descargas eléctricas o heridas personales.



PRECAUCIONES DE SEGURIDAD

- Use este equipo sólo para su propósito original según se describe en el Manual del Propietario.
- Este sistema se debe instalar de forma apropiada de acuerdo con las Instrucciones de Instalación antes de ser usado.
- Todo el cableado debe tener la clasificación apropiada para la corriente listada en la placa de clasificación. Sólo utilice cableado de cobre.
- Cualquier reparación sea realizada por un individuo calificado.

⚠ ¡ADVERTENCIA!

Riesgo de descarga eléctrica. Puede provocar una lesión o la muerte: Resulta esencial una conexión a tierra antes de conectar el suministro de energía.

⚠ ¡ADVERTENCIA!

Riesgo de descarga eléctrica. Puede provocar una lesión o la muerte: Desconecte todos los suministros remotos de energía eléctrica antes de realizar mantenimiento.

⚠ ¡ADVERTENCIA!

Riesgo de descarga eléctrica. Puede provocar una lesión o la muerte: Repare o reemplace de inmediato todos los cables de corriente pelados o con cualquier tipo de daño. No use un cable con cortaduras o abrasión sobre su extensión o extremos.

- Todos los trabajos eléctricos deberán ser completados por un electricista calificado y de acuerdo con los códigos y regulaciones de construcción locales y nacionales.

⚠ ¡ADVERTENCIA!

Riesgo de incendio. Puede provocar una lesión o la muerte: No acumule ni use materiales combustibles, gasolina u otros vapores o líquidos inflamables cerca de éste u otro electrodoméstico.

Para cualquier reparación sobre el sistema de refrigeración sellada, las regulaciones federales requieren que el trabajo sea realizado por un técnico que posea una certificación Clase II o Universal.

- Todos los acondicionadores de aire contienen refrigerantes, los cuales de acuerdo con la ley federal se deben quitar antes de deshacerse del producto. Si se deshará de un producto viejo que posee refrigerantes, consulte a la compañía sobre cómo deshacerse del mismo.
- Los sistemas de acondicionador de aire R410A requieren que los contratistas y técnicos utilicen herramientas, equipamiento y normas de seguridad aprobadas para su uso con este refrigerante. NO utilice equipamiento certificado sólo para refrigerante R22.



LEA Y SIGA ESTA INFORMACIÓN DE SEGURIDAD
CUIDADOSAMENTE.

CONSERVE ESTAS INSTRUCCIONES

Procedimiento general

NOTA: Para obtener mejores resultados, apunte el control remoto a la unidad interna.

- 1 Asegúrese que el cable esté conectado y presione el botón de **ENCENDIDO/APAGADO (ON/OFF)** para activar el sistema.
- 2 Presione el botón **MODO (MODE)** para seleccionar el modo de funcionamiento deseado.
- 3 Presione el botón **BALANCEO (SWING)** para una rotación automática de las rejillas. Presione nuevamente para detener la rotación.

- 4 Presione el botón **VENTILADOR (FAN)** para configurar la velocidad deseada (Automático/Bajo/Medio/Alto).
- 5 Presione los botones **+/-** para configurar la temperatura deseada.

NOTA: Para instrucciones detalladas sobre el control remoto, consulte la sección *Sobre el control remoto*.

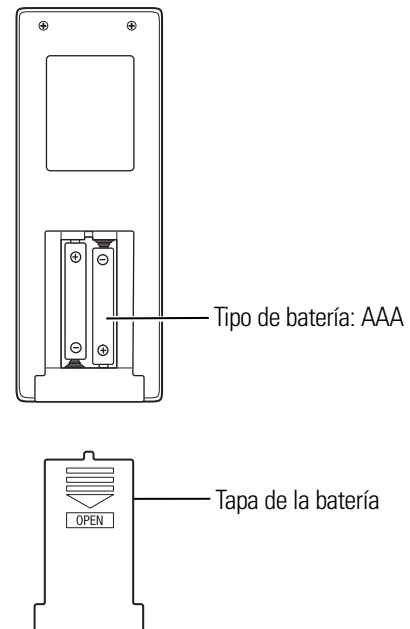
Cómo insertar las pilas

El control remoto utiliza dos pilas AAA.

- 1 Quite la cubierta trasera del control remoto e inserte dos pilas nuevas (preste atención a la polaridad).
- 2 Vuelva a colocar la cubierta.

NOTAS:

- No combine pilas nuevas y usadas o pilas de tipos diferentes.
- Quite las pilas cuando el control remoto no se utilice durante un período de tiempo prolongado.
- La señal del control remoto sólo puede ser recibida dentro de un alcance de 20 pies.
- El control remoto se debería colocar a unos 3 pies de distancia o más del equipo de TV o de cualquier otro dispositivo eléctrico.



Sobre el control remoto del sistema.

El control remoto transmite las señales al sistema.

Las características y apariencia pueden variar.

AUTO (automático)—En este modo, la unidad controla automáticamente la temperatura ambiente dentro del rango de 77 °F y 68 °F. El ventilador funciona sin interrupción mientras la unidad se encuentra en el modo AUTO (automático). Cuando la temperatura ambiente supera los 77 °F, la unidad pasa al Modo COOL (frío). Cuando la temperatura ambiente desciende a 73 °F, el ventilador sigue funcionando pero el Modo COOL (frío) se apaga. Cuando la temperatura desciende por debajo de los 68 °F, la unidad acciona el Modo HEAT (calor). Cuando la temperatura alcanza los 73 °F, el ventilador sigue funcionando pero el Modo HEAT (calor) se apaga.
NOTA: Esta configuración de rango de temperatura no puede ajustarse y no se verá en pantalla.

❄️ **COOL (frío)**—Úselo para enfriar la habitación con la temperatura deseada configurada entre 61 °F y 86 °F.

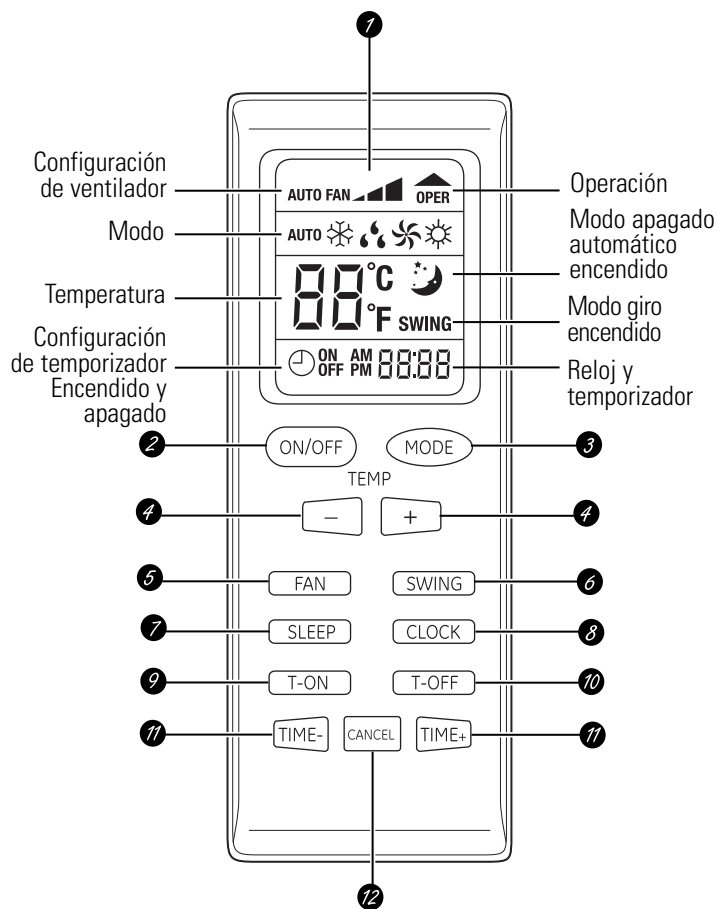
NOTA: La unidad no brindará una refrigeración óptima si la temperatura exterior es menor a 60 °F. En ciertas condiciones, la unidad puede activar el ciclo de protección anticongelante por aproximadamente 5 minutos para quitar el hielo de la bobina de interior.

💧 **DRY (secar)**—Úselo para deshumidificar la habitación. El ventilador funcionará a una velocidad baja fija para brindar una máxima deshumidificación. La temperatura puede configurarse entre 61 °F y 86 °F.

🌀 **FAN (ventilador)**—Utilícelo para encender (ON) y apagar (OFF) la operación de sólo ventilador. No podrán utilizarse los modos COOL (frío), HEAT (calor) o DRY (secar).

☀️ **HEAT (calor)** (en modelos equipados con dicha característica)—Úselo para calentar la habitación con la temperatura deseada configurada entre 61 °F y 86 °F.

NOTA: La unidad no brindará una calefacción óptima si la temperatura exterior es menor a 14 °F. En ciertas condiciones, la unidad puede activar el ciclo de protección anticongelante por aproximadamente 8 minutos para quitar el hielo de la bobina de exterior. Durante este ciclo, es normal oír sonidos de funcionamiento, tales como el flujo de refrigerante dentro del sistema.



El control remoto transmite las señales al sistema.



Características del control remoto

- 1 Pantalla**
Muestra todos los contenidos configurados cuando se enciende. Muestra sólo la temperatura configurada y la hora cuando se apaga.
- 2 Botón ON/OFF (encendido/apagado)**
Presione para encender o apagar el sistema.
- 3 Botón MODE (modo)**
Presione para cambiar el modo de operación a AUTO (automático), ❄️ (COOL) (frío), ☀️ (DRY) (secar), 🌀 (FAN ONLY) (sólo ventilador) or 🔥 (HEAT) (calor).
- 4 Botones de temperatura**
Presione + para subir la temperatura en unidades de 1 °F. Presione - para bajar la temperatura en unidades de 1 °F. En los modos COOL (frío) y HEAT (calor), la temperatura configurada puede seleccionarse desde 61 °F a 86 °F. La temperatura configurada no se muestra en el modo AUTO (automático).
- 5 Botón FAN (ventilador)**
Presione para cambiar la velocidad del ventilador a AUTO FAN (ventilador automático), ▽ (Low Fan) (ventilador bajo), ▲ (Medium Fan) (ventilador medio) o ▲▲ (High Fan) (ventilador alto).
- 6 Botón SWING (giro)**
Presione para una rotación automática de las rejillas. Presione de nuevo para frenar su rotación.
- 7 Botón SLEEP (apagado automático)**
Presione para encender o apagar el modo apagado automático. Cuando se encuentra en el modo de refrigeración y el temporizador de apagado automático está configurado, la temperatura configurada aumentará automáticamente 2 °F después de la primera hora y 2 °F después de la segunda hora. El Modo SLEEP (apagado automático) es compatible con COOL (frío), HEAT (calor) y DRY (secar).
- 8 Botón CLOCK (reloj)**
Presione para configurar la hora. Presione las teclas TIME- (hora-) o TIME+ (hora+) para configurar la hora en unidades de 1 minuto. Presione y sostenga las teclas TIME- (hora-) o TIME+ (hora+) para configurar la hora en unidades de 10 minutos.
- 9 Tecla T-ON (Timer ⏰ ON) (temporizador encendido)**
Cuando el acondicionador de aire está apagado, presione T-ON (temporizador encendido) para configurar su encendido automático (utilizando sus configuraciones previas) en el horario predeterminado.

Presione las teclas TIME- (hora-) o TIME+ (hora+) para configurar la hora de inicio en unidades de 1 minuto.

Presione y sostenga las teclas TIME- (hora-) o TIME+ (hora+) para configurar la hora de inicio en unidades de 10 minutos.

Para cancelar ⏰ ON (T-ON) (temporizador encendido), presione la tecla CANCEL (cancelar).
- 10 Tecla OFF (Timer ⏰ OFF) (temporizador apagado)**
Cuando el acondicionador de aire está encendido, presione T-OFF (temporizador apagado) para configurar el apagado automático en el horario configurado.

Presione las teclas TIME- (hora-) o TIME+ (hora+) para configurar la hora de apagado en unidades de 1 minuto.

Presione y sostenga las teclas TIME- (hora-) o TIME+ (hora+) para configurar la hora de apagado en unidades de 10 minutos.

Para cancelar ⏰ OFF (T-OFF) (temporizador apagado), presione la tecla CANCEL (cancelar).
- 11 Teclas TIME (hora)**
Úselas cuando configure CLOCK (reloj) y los temporizadores (T-ON y T-OFF) (temporizador apagado y encendido). Presione para configurar en unidades de 1 minuto. Presione y sostenga para configurar en unidades de 10 minutos.
- 12 Tecla CANCEL (cancelar)**
Presione para cancelar los temporizadores.

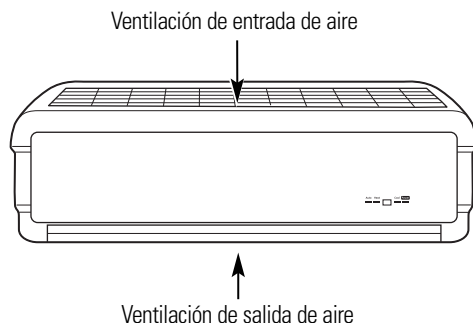
Cuidado y limpieza del acondicionador de aire.

⚠ PRECAUCIÓN: Antes de realizar cualquier mantenimiento, apague la unidad central de corriente del sistema.

Unidad de interior

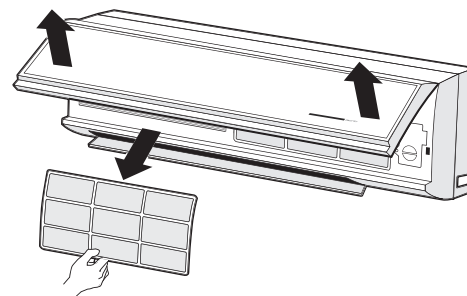
Rejilla, caja y control remoto

Apague el sistema antes de limpiarlo. Para limpiar, utilice un paño suave y seco. No use blanqueadores ni abrasivos.



Filtros de aire

Los dos filtros de aire que se encuentran detrás de la rejilla frontal se deberían revisar y limpiar por lo menos cada 30 días o con una frecuencia mayor, si fuera necesario.



- 1 Abra el panel de acceso frontal.
- 2 Tire de la lengüeta del filtro suavemente hacia adelante para quitar el filtro. Limpie el filtro con una aspiradora o con agua tibia jabonosa. Enjuague y deje secar el filtro antes de volver a colocarlo.
- 3 Vuelva a insertar los filtros y reinstale el panel de acceso frontal.

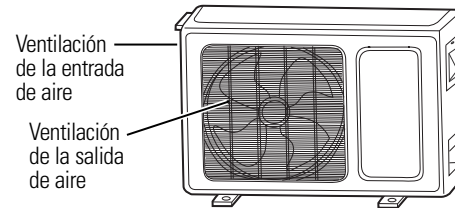
NOTA: NO opere el sistema sin un filtro ya que la suciedad y las pelusas producirán atascamientos y reducirán su funcionamiento.

Unidad de exterior

Las bobinas de intercambio de calefacción y la ventilación del panel de la unidad de exterior se deberían revisar en forma regular. Si se bloquean con polvillo o partículas, el intercambiador de calor y las ventilaciones del panel deben ser limpiados por un profesional.

NOTAS:

- El cable de corriente se debe desconectar antes de limpiar la unidad de exterior.
- Si las bobinas están sucias o poseen pelusa, esto reducirá la eficacia del sistema ocasionando costos de funcionamiento más elevados.



Si dejará de usarlo durante esa temporada...

- 1 Opere el sistema en el modo del ventilador durante 2 horas. Esto secará el sistema.
- 2 Quite las pilas del control remoto.
- 3 Cubra la unidad exterior con un protector.

NOTA: En la próxima temporada, asegúrese de quitar la tapa protectora de la unidad exterior antes de reiniciar el sistema.

Instrucciones de instalación

Acondicionador de aire de sistema mini split



ANTES DE COMENZAR

Lea estas instrucciones en su totalidad y atentamente.

- **IMPORTANTE** – Conserve estas instrucciones para uso del inspector local.
- **IMPORTANTE** – Cumpla con todos los códigos y ordenanzas gubernamentales.
- **Nota para el Instalador** – Asegúrese que el comprador conserve estas instrucciones.
- **Nota para el Comprador** – Conserve estas instrucciones para referencia futura.
- **Nivel de habilidad** – La instalación de este sistema de acondicionador de aire tipo split debe ser realizada por un técnico licenciado y certificado (para manejar refrigerante-R410A, recuperación, etc.) y por un electricista.
- **Tiempo de compleción** – Aproximadamente 2½ horas
- Se necesitan dos personas para instalar esta unidad debido al peso del producto.
- Es responsabilidad del instalador realizar una instalación adecuada.
- Si se producen fallas en el producto debido a una instalación inadecuada la Garantía no cubrirá las mismas.
- Para seguridad personal, este sistema debe estar conectado adecuadamente a tierra.
- Los dispositivos de protección (fusibles o disyuntores) aceptables para la instalación aparecen especificados en la placa de cada unidad.
- La reparación e instalación del sistema de refrigeración deberá ser realizada por un técnico licenciado y certificado por HVAC.
- Asegúrese de evitar cableados o tuberías en las paredes al realizar la instalación.
- Para cualquier revisión sobre el sistema de refrigeración sellada, las regulaciones federales solicitan que el trabajo sea realizado por un técnico que posea una certificación Clase II o Universal.

⚠ PRECAUCIÓN:

- No use extensiones de cables con este sistema.
- Los cables de aluminio para construcciones pueden presentar problemas especiales—consulte a un electricista calificado.
- Cuando la unidad se encuentra en la posición DETENIDO (STOP), hay aún voltaje en los controles eléctricos.
- Desconecte el cable del sistema antes de hacer reparaciones, quitando los fusibles del circuito derivado o desconectando los disyuntores en el panel.
- **NO** utilice equipamiento certificado sólo para refrigerante R22.



REQUISITOS ELÉCTRICOS

- Asegúrese que todos los cables cumplan con los códigos locales de construcción y el NEC y que el suministro de voltaje de este sistema sea el correcto. El sistema de suministro de voltaje está conectado a la unidad de exterior solamente.
- Revise la placa que se encuentra sobre el panel lateral de la unidad de exterior para controlar los valores requeridos para la protección del circuito y suministro de voltaje.
- Use un interruptor de circuito derivado aprobado por UL para brindar suministro de voltaje a las unidades de interior y exterior del sistema de split. Ubique el interruptor en un lugar visible y accesible de acuerdo con las normas del CEN y normas locales.
- Todos los cables deben ser adecuados al valor de corriente que figura en la placa de valores.
- Asegúrese de contar con una conexión eléctrica a tierra sin interrupciones ni roturas.
- Para el cableado se deberá usar tubos herméticos a los líquidos con conexiones selladas y conectores herméticos.

Instrucciones de instalación

PARTES INCLUIDAS

- Placa de montaje
- Sellante
- Control remoto
- Pilas AAA (2)
- Tornillos (5 por modelos de 10,000 y 14,000 BTU/10 por modelos de 20,000 BTU)
- Manguera de drenaje
- Manguera aislante
- Dos (2) filtros

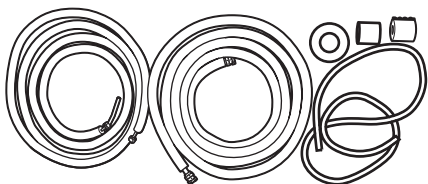
SUMINISTRADO POR EL INSTALADOR

Adaptador abierto macho de 3/4" con válvula Schrader x hembra de 5/16" (1/2-20UN)



KITS DE ACCESORIOS OPCIONALES

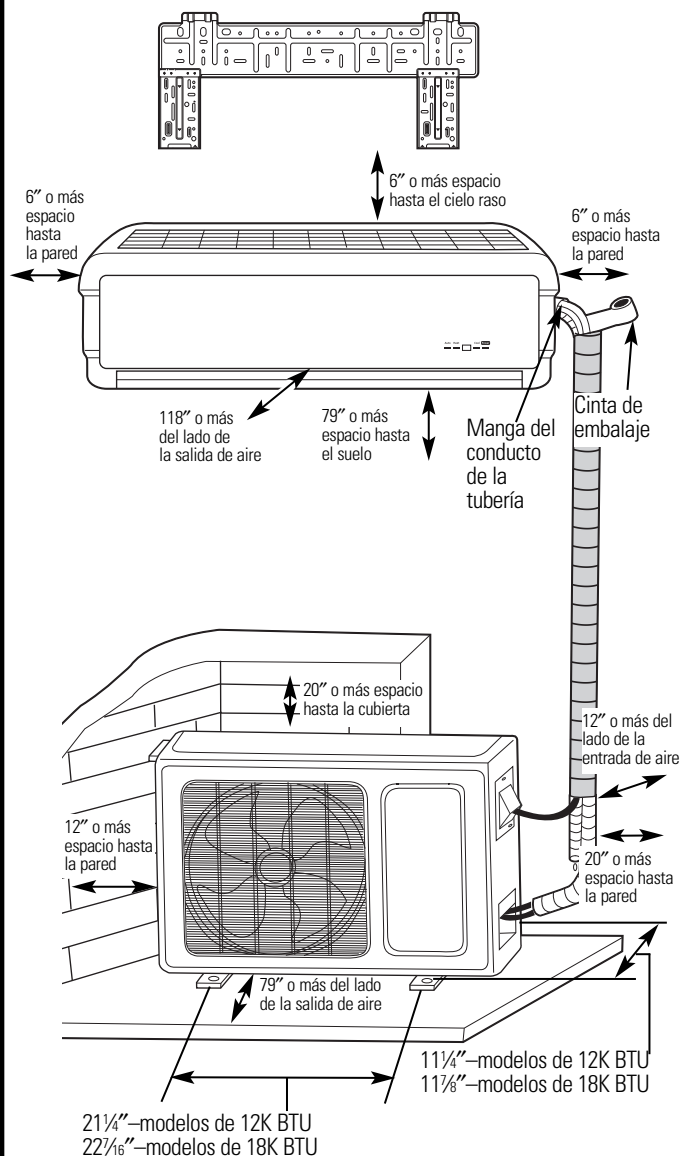
Para ayudar en la instalación, pueden solicitarse los siguientes kits de tuberías:



Kit GE	TUE1650	TUE3250
Para usar en los modelos	AE1CD10AM	
	AE0CD10AM	
	AE1RD10AM	
	AE0RD10AM	
	AE1CD14DM	
	AE0CD14DM	
	AE1RD14DM	
	AE0RD14DM	
Diámetro y longitud de la línea de succión	1/2" x 16 pies	1/2" x 32 pies
Diámetro y longitud de la línea de líquido	1/4" x 16 pies	1/4" x 32 pies
Longitud de la aislación de la tubería	16 pies	32 pies
Mangas de orificios de pared (2)	incluidos	incluidos
Cinta para envolver de PVC	incluidos	incluidos

Kit GE	TUE1662	TUE3262
Para usar en los modelos	AE1CD20DM	
	AE0CD20DM	
	AE1RD20DM	
	AE0RD20DM	
Diámetro y longitud de la línea de succión	5/8" x 16 pies	5/8" x 32 pies
Diámetro y longitud de la línea de líquido	3/8" x 16 pies	3/8" x 32 pies
Longitud de la aislación de la tubería	16 pies	32 pies
Mangas de orificios de pared (2)	incluidos	incluidos
Cinta para envolver de PVC	incluidos	incluidos

DIMENSIONES DE INSTALACIÓN



NOTAS IMPORTANTES:

- La instalación debe ser realizada por un electricista y técnico entrenado y calificado con certificación Clase II o Universal.
- Al elegir y retirar las unidades, es necesario que usted reciba la guía de personal entrenado y calificado.

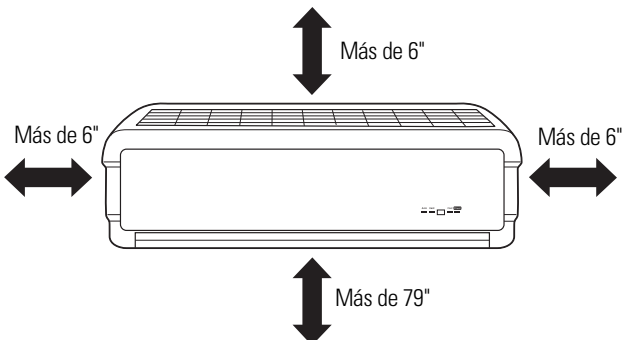
Instrucciones de instalación

Lea estas instrucciones en forma completa y atentamente; luego sígalas paso a paso.

1 ELIJA LA MEJOR UBICACIÓN

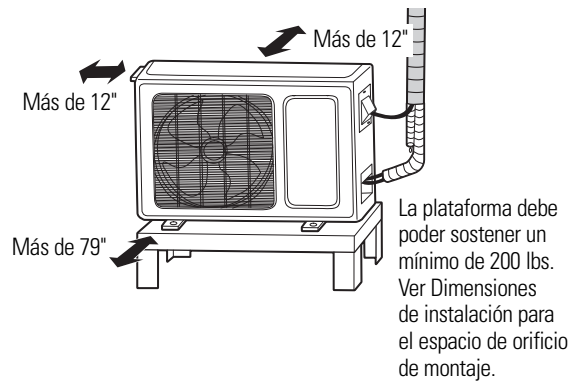
A UNIDAD DE INTERIOR

- No permita que haya calor ni vapor cerca de la unidad.
- Elija una ubicación donde no haya obstáculos frente a la unidad.
- Asegúrese que el drenaje condensado se pueda evacuar de forma conveniente.
- No instale la unidad cerca de una entrada.
- Asegúrese que el espacio hacia la izquierda y derecha de la unidad sea de más de 6". La unidad se debería instalar lo más alto posible en la pared, dejando 6" como mínimo desde el cielo raso.
- Utilice un detector de montantes para ubicar los montantes y para prevenir daños innecesarios a la pared.
- Instálelo sobre montantes en un lugar desde donde el agua de condensación pueda drenarse convenientemente y que permita una conexión sencilla con la unidad de exterior.
- No cubra la entrada ni la salida de modo que el flujo de aire cubra cada parte del ambiente.
- Realice la instalación en una ubicación lo suficientemente fuerte como para resistir todo el peso y la vibración de la unidad.
- Asegúrese que la instalación sea acorde con el diagrama de dimensiones de instalación.
- Deje espacio suficiente para dejar acceso para la rutina de mantenimiento. La altura de la ubicación donde se instale debe ser de 79" o más desde el suelo.
- Instale en una ubicación que se encuentre a 3 pies o más de otros dispositivos eléctricos, tales como televisores o dispositivos de audio.
- Elija una ubicación que le brinde fácil acceso para retirar y limpiar el filtro.



B UNIDAD DE EXTERIOR

- Si coloca un toldo sobre la unidad a fin de evitar la exposición directa a la luz solar o lluvia, asegúrese que éste no restrinja la radiación de calor del condensador.
- Asegúrese que el espacio sobre la parte trasera y los laterales supere las 12". El frente de la unidad debería tener más de 79" de espacio.



- Realice la instalación en una ubicación lo suficientemente fuerte como para resistir todo el peso y la vibración de la unidad.
- Construya y sujete una base montable o plataforma fuerte y a nivel para la unidad de exterior.
- Sujete la unidad de exterior a través de sus cuatro soportes, utilizando tornillos.
- Elija una ubicación desde la cual la emisión del ruido y flujo de aire emitidos por la unidad no ocasionen inconvenientes a sus vecinos.
- En ubicaciones húmedas, la unidad puede provocar condensación y puede caer agua de la misma. Téngalo en cuenta cuando elija su ubicación.
- Elija una ubicación que posea suficiente ventilación.
- No cubra la entrada ni la salida.
- Instale la unidad lejos de gases inflamables o de pérdidas de gases corrosivos.
- Asegúrese que la instalación sea acorde con el diagrama de dimensiones de instalación.

• Instalaciones sobre tejados:

Si la unidad de exterior se instalará sobre una estructura de tejas, asegúrese que la unidad quede a nivel. Asegúrese que la estructura de tejas y el método de sujeción sean adecuados para la ubicación de la unidad. Consulte los códigos locales con relación al montaje sobre tejados.

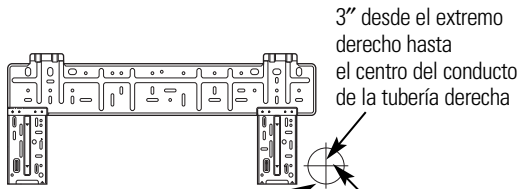
2 INSTALACIÓN

1 INSTALACIÓN DE LA PLACA DE MONTAJE

- Siempre monte la placa de montaje en forma horizontal.
- Adjunte la placa de montaje en la ubicación elegida con los tornillos incluidos con la unidad.
- Asegúrese que la placa de montaje quede colocado bien firme como para resistir el peso de un adulto de 130 libras. Además, cada tornillo debe soportar el mismo peso que el otro.

2 INSTALACIÓN DEL CONDUCTO DE LA TUBERÍA

- Haga el conducto de la tubería en la pared con una pequeña inclinación descendente hasta el lado exterior.



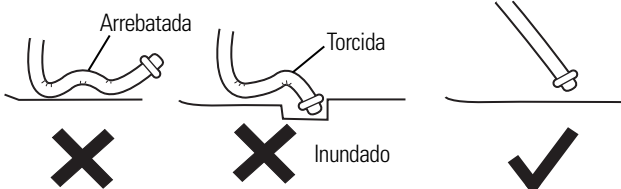
Los conductos poseen 2" de diámetro para los modelos de 12,000 BTU y 2 1/2" de diámetro para los modelos de 18,000 BTUs.

1 1/2" desde el extremo inferior hasta el centro del conducto de la tubería derecha

- Para dejar drenar el agua evitar daños en el cableado y la tubería, inserte un tubo de plástico de 2 1/2", corte hasta una longitud equivalente a la profundidad de la pared. Inserte el tubo y el cableado a través de la tubería.
- La tubería de cobre se debería cubrir hasta instalar la unión con avellanado, para evitar la contaminación.

3 INSTALACIÓN DE LA MANGUERA DE DRENAJE

- Para un buen drenaje, la manguera de drenaje se debería colocar en la inclinación descendente.
- No arrebate ni tuerza la manguera de drenaje ni permita que entre en contacto con agua acumulada.
- La tubería de drenaje extendida en el ambiente se debería cubrir con los materiales aislantes.



4 INSTALACIÓN DE LAS TUBERÍAS DE CONEXIÓN

- Conecte las tuberías de cobre de conexión con los tubos de unión de la unidad de interior y ajuste la tuerca cónica de los tubos de conexión.

NOTA: Incline los tubos de conexión cuidadosamente a fin de evitar dañarlos.

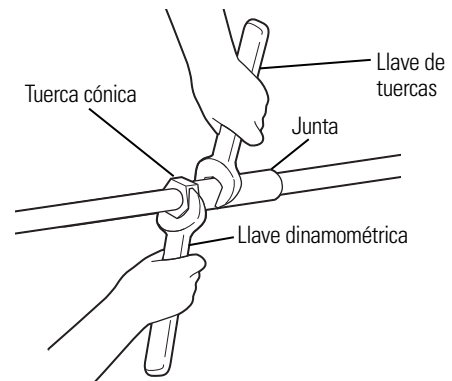
1. Alíe el centro del conducto cónico con la válvula relevante.
2. Coloque la tuerca cónica en forma manual y luego ajuste la misma con una llave de tuercas y una llave dinamométrica. Busque la llave correspondiente en la tabla que aparece debajo.
3. La especificación del tubo conector se muestra a continuación:

Especificaciones	Modelos	
	10,000/14,000 BTU	20,000 BTU
Longitud del Diseño (pies)	20	26,2
Carga de Refrigerante Adicional por Pies por Encima de la Longitud de Diseño (onza/pie)	0,16	0,54
Diámetro Exterior de la Tubería de Líquido (pulgada)	1/4	3/8
Diámetro Exterior de la Tubería de Gas (pulgada)	1/2	5/8
Altura Máxima (pies)	33	33
Longitud Máxima (pies)	68	98

NOTA: Un ajuste de tuerca excesivo dañará la tubería de cobre.

Tabla de ajuste de tuerca

Diámetro exterior de la tubería	Ajuste de tuerca (pulg. / lb.)
1/4"	140-170
3/8"	270-310
1/2"	440-480
5/8"	530-570



2 INSTALACIÓN (cont.)

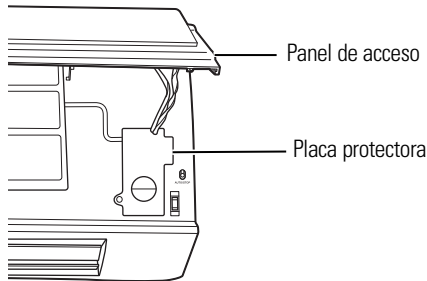
5 CONEXIÓN DEL CABLEADO ELÉCTRICO ENTRE LA UNIDAD INTERIOR Y EXTERIOR

- Todas las conexiones de cableado se deben ser adecuado con relación al índice de voltaje.
- El cableado debe ser realizado por un electricista calificado de acuerdo con los códigos locales, regulaciones y este manual.
- Todas las conexiones de cableado se deben ajustar de forma segura.

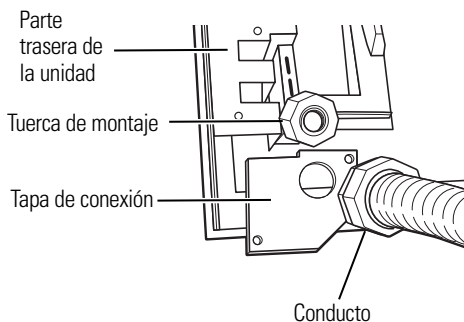
6 CONECTE LA UNIDAD INTERIOR

NOTA: Use un interruptor de circuito derivado aprobado por UL para brindar suministro de voltaje a las unidades de interior y exterior del sistema de split. Ubique el interruptor en un lugar visible y accesible de acuerdo con las normas del CEN y normas locales.

1. Abra el panel de acceso frontal.
2. Quite la placa protectora de la caja eléctrica.

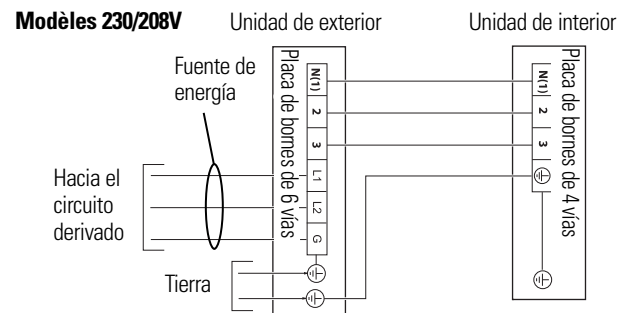
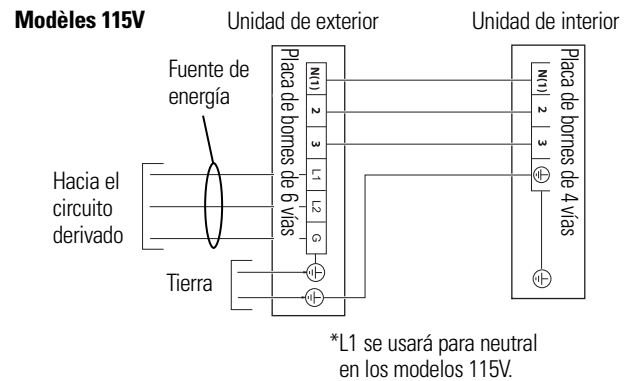
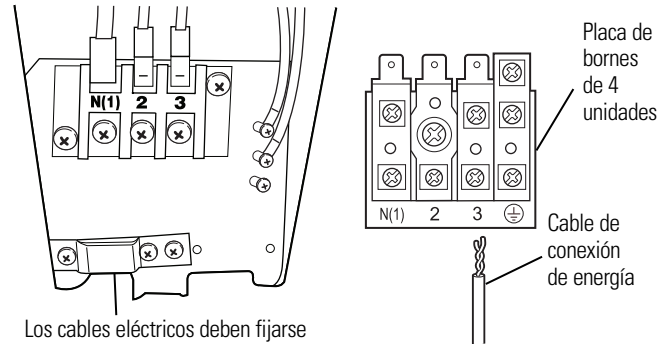


3. En la parte trasera de la unidad interna, quite la tapa de conexión de los conductos. Utilizando la tuerca de montaje, conecte el conducto a la tapa de conexión. Coloque los cables a través de la unidad hasta el área de la caja eléctrica. Vuelva a instalar la tapa de conexión.



6 CONECTE LA UNIDAD INTERIOR (cont.)

NOTA: El cableado debe ser realizado por un electricista calificado de acuerdo con los códigos locales, regulaciones y este manual. El cable de conexión debería estar conectado correctamente a la interfase del circuito.



NOTES:

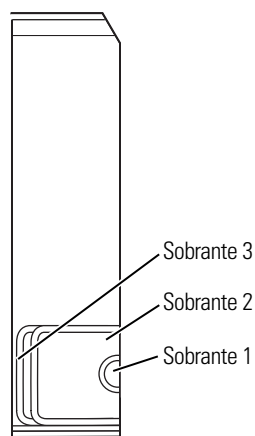
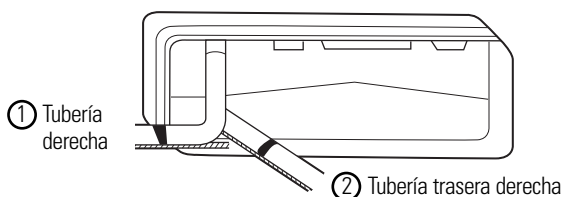
- El cableado debe ser congruente con los diagramas de cableado de arriba.
 - Ajuste la tuerca a la placa de bornes para mantener la placa segura.
 - Luego del ajuste, no se podrá quitar el cable si se jala del mismo.
 - Un cableado incorrecto hará que el acondicionador de aire funcione de modo anormal.
 - Una conexión a tierra incorrecta causará un cortocircuito.
4. Vuelva a colocar la placa sobre la caja eléctrica y baje el panel de acceso a su posición.

2 INSTALACIÓN (cont.)

7 INSTALACIÓN DE LA UNIDAD DE INTERIOR

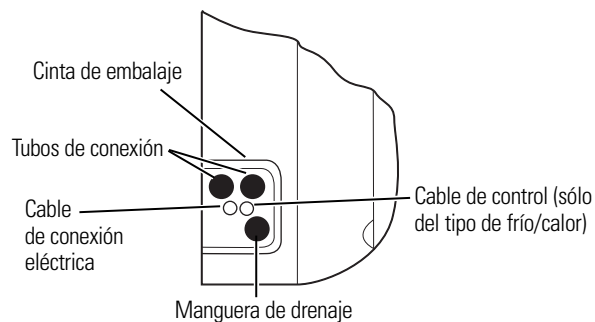
- Dirija la tubería y cableado desde el lado izquierdo o derecho de la unidad de interior, corte los sobrantes del chasis según sea necesario.

1. Corte el sobrante 1 al extender sólo el cableado.
2. Corte los sobrantes 1 y 2 (o sobrantes 1, 2 y 3) al extender el cableado y la tubería. Debajo figuran las tuberías ① y ② recomendadas.

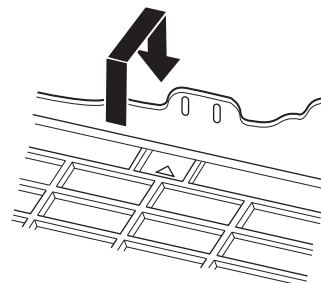


7 INSTALACIÓN DE LA UNIDAD DE INTERIOR (cont.)

- Cubra la tubería y el cableado e insértelos a través del conducto donde se cortaron los sobrantes.



- Coloque las ranuras de montaje de la unidad de interior en los ganchos superiores de la placa de montaje y asegúrese que estén lo suficientemente firmes.



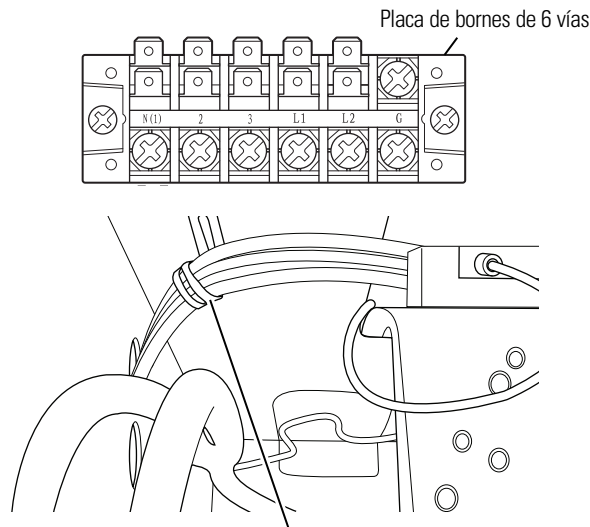
- La altura de la ubicación donde se instale debe ser de 79" o más desde el suelo.

Instrucciones de instalación

2 INSTALACIÓN (cont.)

8 CABLEADO DE LA UNIDAD DE EXTERIOR

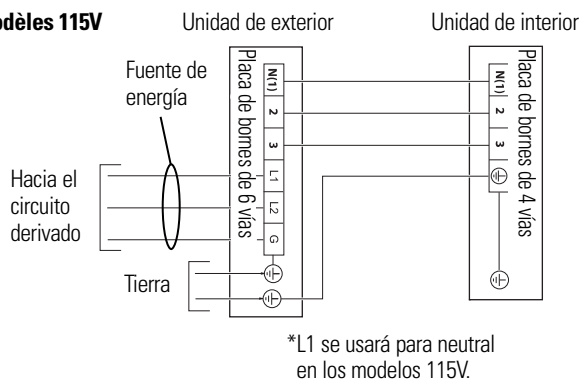
1. Abra la cubierta de la unidad de exterior.
2. El cable de conexión desde la placa de bornes de la unidad de interior debe estar correctamente conectado.
3. El cable de conexión debería ser un poco más largo para poder conservarlo fácilmente.



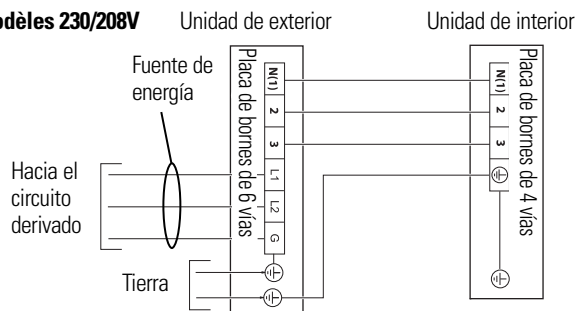
Cables eléctricos cubiertos con enlace metálico añadido para brindar amortiguación de refuerzo.

Modelos de 10000 y 14000 BTU

Modèles 115V



Modèles 230/208V



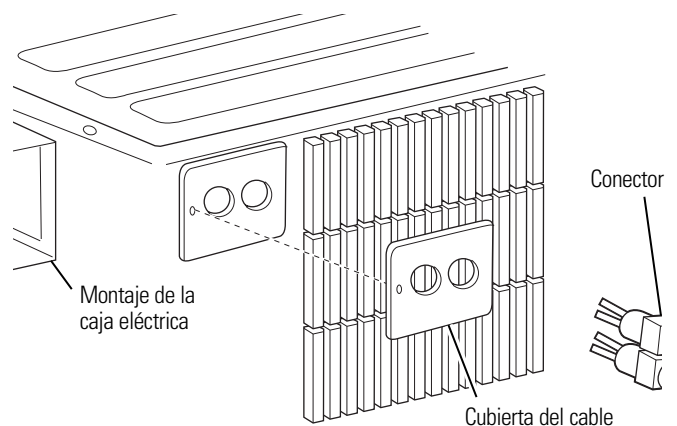
8 CABLEADO DE LA UNIDAD DE EXTERIOR (cont.)

NOTAS:

- El cableado debe ser congruente con los diagramas de cableado de arriba.
- Ajuste la tuerca a la placa de bornes para mantener la placa segura.
- Luego del ajuste, no se podrá quitar el cable si se jala del mismo.
- Un cableado incorrecto hará que el acondicionador de aire funcione de modo anormal.
- Una conexión a tierra incorrecta causará un cortocircuito.
- Las conexiones eléctricas deben ser realizadas por un electricista calificado.
- Todo el trabajo eléctrico debe ser completado de acuerdo con los códigos y regulaciones locales.

9 INSTALACIÓN DE LA LÍNEA DE CORRIENTE

1. Abra la cubierta del cableado y quite los cobertores de los agujeros.
2. La tuerca debe asegurar el conector, y la cubierta del cableado se debería reemplazar y asegurar con el tornillo incluido.
3. Todo el cableado debería estar protegido por tubos herméticos, y las conexiones a la cubierta del cableado por conectores herméticos.



NOTAS:

- El cable de conexión y el tubo de conexión no se pueden tocar el uno con el otro.
- La cubierta superior de la unidad de exterior y el montaje de la caja eléctrica se deberían ajustar con el tornillo. De otro modo, se pueden ocasionar incendios o cortocircuitos causados por agua o polvo.
- Use un interruptor del circuito derivado aprobado por UL para brindar suministro de voltaje a las unidades de exterior del sistema de split. Ubique el interruptor en un lugar visible y accesible de acuerdo con las normas del CEN y normas locales.

2 INSTALACIÓN (cont.)

10 INSTALACIÓN DE LA UNIDAD DE EXTERIOR

• Instalación del tubo de conexión

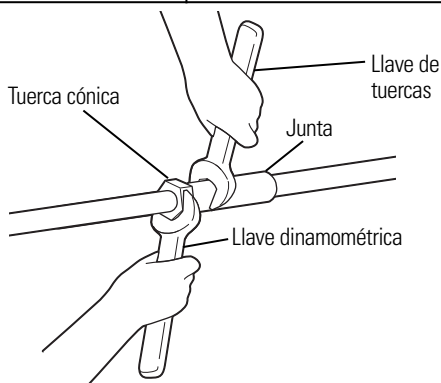
1. Alíne el centro del conducto cónico con la válvula relevante.
2. Coloque la tuerca cónica en forma manual y luego ajuste la misma con una llave de tuercas y una llave dinamométrica. Observe la llave correcta en la tabla que aparece debajo.
3. La especificación del tubo conector se muestra a continuación:

Especificaciones	Modelos	
	10,000/14,000 BTU	20,000 BTU
Longitud del Diseño (pies)	20	26,2
Carga de Refrigerante Adicional por Pies por Encima de la Longitud de Diseño (onza/pie)	0,16	0,54
Diámetro Exterior de la Tubería de Líquido (pulgada)	1/4	3/8
Diámetro Exterior de la Tubería de Gas (pulgada)	1/2	5/8
Altura Máxima (pies)	33	33
Longitud Máxima (pies)	68	98

NOTA: Un ajuste de tuerca excesivo dañará la tubería de cobre.

Tabla de ajuste de tuerca

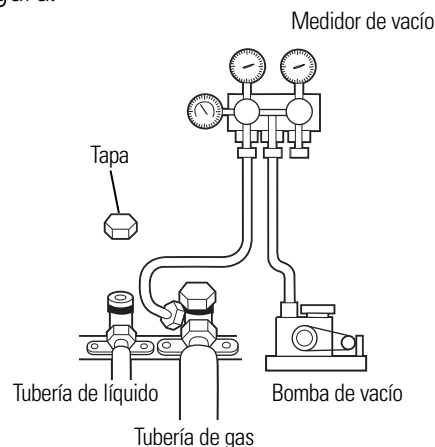
Diámetro exterior de la tubería	Ajuste de tuerca (pulg. / lb.)
1/4"	140-170
3/8"	270-310
1/2"	440-480
5/8"	530-570



NOTA: Para evitar la infiltración de viento y plagas, selle los huecos alrededor de la tubería y cableado con el sellador provisto.

11 PURIFIQUE EL AIRE Y HAGA UNA PRUEBA DE PÉRDIDAS

1. Instale las tuberías de conexión de la unidad de interior/externo.
2. **NO ABRA LAS VÁLVULAS DE GAS HASTA QUE EL PROCESO DE EVACUACIÓN SE HAYA COMPLETADO.**
3. Quite la tapa de entrada del servicio de gas y conecte las válvulas de gas del medidor de vacío, de la bomba de vacío y de la unidad de exterior.
NOTA: Conecte utilizando un accesorio adaptador 1/4" hembra x 1/2" macho (se obtiene en forma local).
4. Encienda la bomba de vacío. (El tiempo de funcionamiento debería superar los 15 minutos.)
5. Controle el nivel de vacío con el medidor de vacío. El manómetro debe señalar -30 pulgadas Hg. Luego de la evacuación, cierre totalmente la manija de la válvula de distribución (en el dispositivo de la bomba de vacío). Luego desactive la bomba de vacío y desconéctela.
6. Se debería mantener la presión de 1 a 2 minutos para confirmar que la lectura del medidor de vacío no varía. La presión debería ser de -30 pulgadas Hg.
7. Quite la tubería de vacío y reemplace la tapa de entrada del servicio.
8. Quite las tapas tanto de la válvula líquida como la de gas.
9. Abra la válvula de gas y de líquido totalmente, usando la llave Allen de 5 mm. Si esto no se hace, el funcionamiento se reducirá o se producirá un error.
10. Reemplace las tapas y ajústelas en forma segura.



2 INSTALACIÓN (cont.)

13 OPERACIÓN Y CONTROL DE PRUEBA LUEGO DE LA INSTALACIÓN

Operación de prueba

1. Antes de la operación de prueba

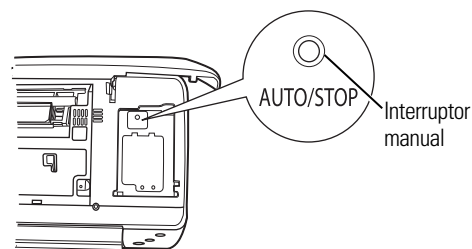
- No conecte la corriente antes de completar la instalación totalmente.
- El cableado eléctrico se debe conectar de forma correcta y segura.
- Las válvulas de cierre de las tuberías de conexión se deberían abrir.
- Todas las impurezas de suciedad y partículas se deben eliminar de la unidad.

2. Método de operación de prueba

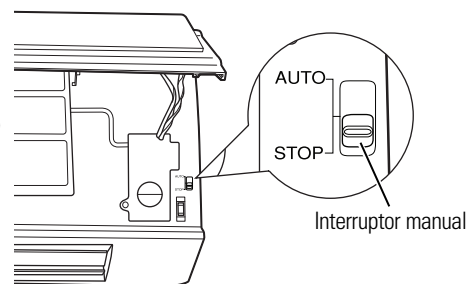
- Active la corriente y presione el botón **ENCENDIDO/APAGADO (ON/OFF)** del control remoto para encender el acondicionador de aire.
- Presione el botón **MODO (MODE)** y revise el funcionamiento de cada uno de los modos.

Sólo modelos de 10,000 y 14,000 BTU:

- Si el control remoto se extravía, se puede utilizar la operación de emergencia con un bolígrafo u objeto similar.
 - a. Cuando la unidad esté apagada, ajuste el control manual en el modo AUTOMÁTICO (AUTO). Entonces la unidad funcionará en el modo seleccionado por el sistema microcomputarizado en relación con la temperatura del ambiente. Si desea apagar la unidad, presione el interruptor manual nuevamente.
 - b. Cuando la unidad esté encendida, configure el interruptor manual en el modo DETENER (STOP) para apagar la unidad.



Modelos de 12,000 BTU



Modelos de 18,000 BTU

Sólo modelos de 20,000 BTU:

- Si el control remoto se extravía, abra el panel de acceso frontal y haga lo siguiente:
 - a. Configure el control manual en la posición AUTOMÁTICO (AUTO) para que funcione en el modo AUTOMÁTICO (AUTO). Una vez que el control remoto tenga señal, la unidad será controlada nuevamente por esa señal.
 - b. Configure el control manual en la posición PRUEBA (TEST) para que funcione en el modo FRÍO (COOL). El ventilador interior funcionará a una velocidad alta. Una vez que el control remoto tenga señal, la unidad será controlada nuevamente por esa señal.
 - c. Ajuste el interruptor manual en la posición FUNCIONAR (RUN) para controlar la unidad a través del control remoto.
 - d. Ajuste el control manual en la posición DETENER (STOP) para apagar la unidad.

Lista de control de instalación

- ¿Se ha instalado bien la unidad? Si no, la unidad puede caerse, moverse o hacer ruido.
- ¿Se ha efectuado la prueba de pérdida de refrigerante? La pérdida de refrigerante puede provocar una capacidad de refrigeración insuficiente.
- ¿La unidad drena bien? Un drenaje pobre puede provocar condensación y goteo.
- ¿El voltaje es el correcto de acuerdo con la placa? Un voltaje incorrecto puede provocar un mal funcionamiento eléctrico. Se cuenta con información diagnóstica para esta unidad. Comuníquese con su técnico.
- ¿Tiene la unidad una adecuada conexión a tierra? Una conexión a tierra poco segura puede provocar daños.
- ¿Se encuentran la entrada y salida de aire completamente libres de bloqueos? Cubrir la entrada o salida de aire puede provocar una capacidad de refrigeración insuficiente.
- ¿Se han registrado la longitud de la tubería de conexión y la capacidad del refrigerante? Es importante saberlo para referencia futura.

Antes de solicitar reparaciones...

GEAppliances.com

Consejos para la Solución de Problemas: ¡Ahorre tiempo y dinero! Lea primero el cuadro que aparece a continuación y posiblemente ya no necesite solicitar reparaciones...

Problema	Causas Posibles	Qué Hacer
El sistema no se enciende	Se quemó el fusible/ el disyuntor está activado.	• Controle la caja de fusibles/ disyuntor de su hogar y reemplace el fusible o reinicie el disyuntor.
	El Temporizador no está programado correctamente.	• Controle las funciones del Temporizador y asegúrese que están programadas del modo deseado.
	La unidad no funciona al ser reiniciada.	• Esto es normal. Espere 3 minutos y la unidad se reiniciará.
El sistema no enfría como debería	El flujo de aire está obstruido.	• Asegúrese que no haya cortinas, persianas ni muebles que bloqueen la parte frontal del sistema.
	Es posible que el control de temperatura no esté programado lo suficientemente alto o bajo.	• Cambia la configuración a más lento o más rápido. La configuración más lenta brinda un nivel de enfriamiento máximo.
	El filtro de aire está sucio.	• Limpie el filtro por lo menos cada 30 días. Lea la sección de <i>Instrucciones de funcionamiento</i> .
	Es posible que el ambiente haya estado caliente.	• Cuando el sistema se enciende por primera vez, debe dejar transcurrir un período de tiempo para que el ambiente se enfríe.
	Hay una fuga de aire frío.	• Controle si hay registro de salidas de aire y retornos de aire frío.
La imagen de la pantalla del control remoto es débil o no aparece ninguna imagen	Las pilas se insertaron de modo incorrecto.	• Controle la posición de las pilas. Se deben insertar en la posición opuesta (+) y (-).
	Es posible que las pilas estén descargadas.	• Reemplace las pilas.

Sonidos de funcionamiento normal

- Estos sonidos son normales durante los modos de refrigeración anticongelante o de calefacción.
- Puede escuchar un sonido similar a agua que fluye. Es el sonido del refrigerante que fluye dentro del sistema.
- Si escucha un ruido que suena como aire que se está liberando, se trata de una función para deshumidificar agua que está procesando dentro del sistema.
- Puede escuchar un ruido similar a un clic al encender o apagar la unidad. Este sonido es la expansión o contracción de la unidad debido a los cambios en la temperatura.

Instrucciones de seguridad

Instrucciones de funcionamiento

Instrucciones de instalación

Consejos para la solución de problemas

Apoyo al cliente

Garantía del sistema de split.



Todo el servicio de garantía se encuentra provisto por nuestra red de servicio designada. Para programar un servicio técnico, llame al 866.404.5245. Para atención en Canadá, comuníquese con Gordon Williams Corp. al 1.888.209.0999. Tenga el número de serie y de modelo a mano cuando llame para solicitar un servicio técnico.

Pegue aquí su recibo.
Se requiere facilitar prueba de la fecha de compra original para obtener un servicio bajo la garantía.

Por el período de:	GE reemplazará:
Un año A partir de la fecha de la compra original	Cualquier parte del acondicionador de aire que falle debido a defectos en los materiales o en la fabricación. Durante esta garantía limitada de un año , GE también proporcionará, sin costo alguno , toda la mano de obra y el servicio relacionado—para reemplazar partes defectuosas.
Cinco años A partir de la fecha de la compra original alguno ,	Cualquier parte del sistema de refrigeración sellada (compresor, condensador, evaporador y tuberías de conexión) que fallen debido a defectos en los materiales o fabricación. Durante estos cuatro años adicionales de garantía limitada , GE también proporcionará, sin costo toda la mano de obra y el servicio relacionado para reemplazar partes defectuosas.

Lo que no está cubierto:

- Viajes de servicio a su casa para mostrarle cómo funciona el equipo.
- Instalación, entrega o mantenimiento inapropiada. Si usted tiene un problema durante la instalación, o si su acondicionador de aire no tiene la capacidad de enfriamiento que usted necesita, póngase en contacto con nuestro distribuidor o instalador. Usted es responsable de proporcionar las facilidades de conexión eléctrica necesarias.
- Fallo del producto resultante de modificaciones al producto o debido a uso irrazonable incluyendo no proporcionar mantenimiento razonable y necesario.
- En locales comerciales, la mano de obra necesaria para retirar la unidad hacia un lugar para revisión por parte de un técnico individual.
- Reemplazo de fusibles de la casa o reajuste del sistema de circuitos.
- Fallos debido a la corrosión en modelos que no están protegidos contra la corrosión.
- Daño al producto causado por voltaje inapropiado hacia el equipo, accidentes, incendios, inundaciones o actos de la naturaleza de fuerza mayor.
- Daños incidentales o consecuenciales causados por defectos posibles con este acondicionador de aire.
- Daños causados después de la entrega.
- Producto no accesible para facilitar el servicio requerido.

EXCLUSIÓN DE GARANTÍAS IMPLÍCITAS—Su único y exclusivo derecho es la reparación del producto, tal y como se indica en esta Garantía limitada. Cualquier garantía implícita, incluyendo las garantías implícitas de comerciabilidad o adecuación para un fin determinado, están limitadas a un año o el período de tiempo más breve permitido por la ley.

Esta garantía se extiende al comprador original y cualquier comprador posterior de productos comprados para uso residencial dentro de Estados Unidos. Si el producto está situado en un área que no dispone de servicio por parte de un proveedor de servicio autorizado de GE, podría tener que hacerse cargo de los costes de envío o bien podría solicitársele que lleve el producto a una centro de servicio de GE autorizado para realizar la reparación. En Alaska, la garantía excluye el costo de envío o las visitas de servicio a su casa.

Algunos estados no permiten la exclusión o las limitaciones de daños incidentales o consecuenciales. Esta garantía da derechos legales específicos, y usted podría tener otros derechos que variarán de estado a estado. Para saber cuáles son sus derechos legales, consulte a la oficina de asuntos del consumidor local o la oficina del Attorney General en su localidad.

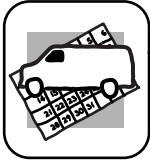
Apoyo al cliente.



Sitio Web de GE Appliances

GEAppliances.com

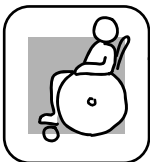
¿Tiene una consulta o necesita ayuda con su aparato? ¡Visite el Sitio Web de GE Appliances las 24 horas al día, todos los días del año! Para una mayor comodidad y un servicio más rápido, ahora usted puede bajar los Manuales del Propietario, solicitar piezas o programar atención on-line.



Programe una reparación

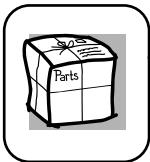
GEAppliances.com

El servicio experto de reparación de GE está sólo a un paso de su hogar. ¡Programe on-line el servicio técnico a su conveniencia cualquier día del año! O llame al 800.GE.CARES (800.432.2737) durante horario normal de trabajo.



Real Life Design Studio (Diseño para la Vida Real) **GEAppliances.com**

GE apoya el concepto de Diseño Universal: Productos, servicios y ambientes que pueden ser utilizados por personas de todas las edades, tamaños y capacidades. Reconocemos la necesidad de la creación de diseños para una amplia gama de capacidades y limitaciones físicas y mentales. Para más detalles sobre las aplicaciones de Diseño Universal de GE, incluyendo ideas de diseño de cocina para personas con discapacidades, visite el Sitio Web hoy mismo. Para las personas con problemas auditivos, llame al 800.TDD.GEAC (800.833.4322).



Piezas y accesorios

GEAppliances.com

Las personas calificadas para arreglar sus propios aparatos pueden recibir las piezas o accesorios directamente en sus hogares (se aceptan las tarjetas VISA, MasterCard y Discover). Solicítelos on-line hoy mismo, las 24 horas del día o por teléfono al 800.626.2002 en horario normal de trabajo.

Las instrucciones incluidas en este manual cubren los procedimientos a realizar por cualquier usuario. Personal de servicio técnico calificado debe efectuar otra clase de arreglos. Debe tenerse mucho cuidado, porque los arreglos inadecuados pueden provocar un funcionamiento poco seguro.



Comuníquese con nosotros

GEAppliances.com

Si no se encuentra satisfecho con el servicio que recibe de GE, comuníquese con nosotros a través del Sitio Web con todos los detalles, incluyendo número de teléfono, o escríbanos al: General Manager, Customer Relations
GE Appliances, Appliance Park
Louisville, KY 40225



Registre su aparato

GEAppliances.com

Registre su nuevo aparato on-line, ¡como le resulte más conveniente! Una inscripción de producto oportuna mejorará y acelerará las comunicaciones y el servicio según los términos de la presente garantía, si surgiera la necesidad. Usted también puede enviar por correo la tarjeta de inscripción pre-impresa incluida con el material de empaque.

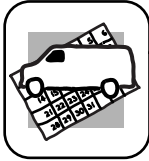
Consumer Support.



GE Appliances Website

GEAppliances.com

Have a question or need assistance with your appliance? Try the GE Appliances Website 24 hours a day, any day of the year! For greater convenience and faster service, you can now download Owner's Manuals, order parts or even schedule service on-line.



Schedule Service

GEAppliances.com

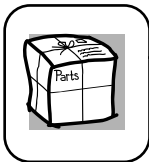
Expert GE repair service is only one step away from your door. Get on-line and schedule your service at your convenience any day of the year! Or call 800.GE.CARES (800.432.2737) during normal business hours.



Real Life Design Studio

GEAppliances.com

GE supports the Universal Design concept—products, services and environments that can be used by people of all ages, sizes and capabilities. We recognize the need to design for a wide range of physical and mental abilities and impairments. For details of GE's Universal Design applications, including kitchen design ideas for people with disabilities, check out our Website today. For the hearing impaired, please call 800.TDD.GEAC (800.833.4322).



Parts and Accessories

GEAppliances.com

Individuals qualified to service their own appliances can have parts or accessories sent directly to their homes (VISA, MasterCard and Discover cards are accepted). Order on-line today, 24 hours every day or by phone at 800.626.2002 during normal business hours.

Instructions contained in this manual cover procedures to be performed by any user. Other servicing generally should be referred to qualified service personnel. Caution must be exercised, since improper servicing may cause unsafe operation.



Contact Us

GEAppliances.com

If you are not satisfied with the service you receive from GE, contact us on our Website with all the details including your phone number, or write to:

General Manager, Customer Relations
GE Appliances, Appliance Park
Louisville, KY 40225



Register Your Appliance

GEAppliances.com

Register your new appliance on-line—at your convenience! Timely product registration will allow for enhanced communication and prompt service under the terms of your warranty, should the need arise. You may also mail in the pre-printed registration card included in the packing material.