

AEQ05LN

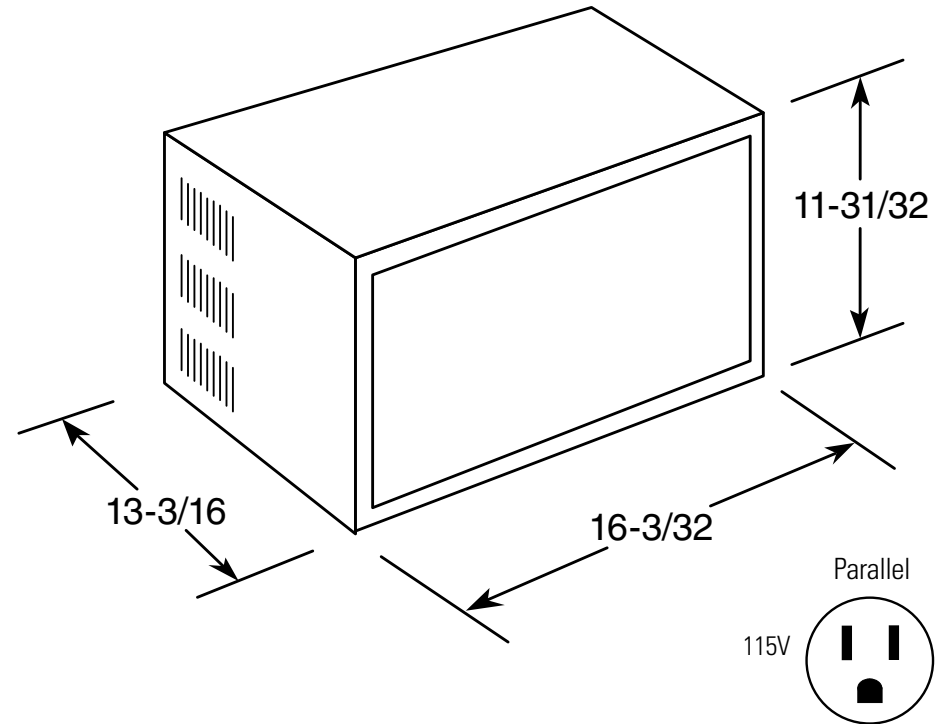
GE® 115 Volt Electronic Room Air Conditioner

Wall Case Dimensions and Installation Information (in inches)

Note: When installing slide-out chassis units in through-the-wall applications, keep louvers free. Do not restrict air flow areas. Fixed chassis units are not suitable for through-the-wall applications.

Wall Outlets: All wiring including installation of receptacle must be made in accordance with local electrical codes and regulations. Electrical outlet should be in reach of line cord.

Note: Aluminum wiring may pose special problems – consult a qualified electrician.



For answers to your Monogram®, GE Profile™ or GE® appliance questions, visit our website at ge.com or call GE Answer Center® service, 800.626.2000.



Total volume and shelf area are calculated by the Association of Home Appliance Manufacturers' standards.



Listed by Underwriters Laboratories

AEQ05LN

GE® 115 Volt Electronic Room Air Conditioner

Features and Benefits

- 5,200 BTU, 9.7 E.E.R., 115 Volts
- R-410A refrigerant
- Electronic thermostat with remote
- Energy saver feature
- 24 hour on/off timer
- 3 cooling / 3 fan only speeds
- Power interruption restart
- Fixed chassis
- EZ mount window kit
- Model AEQ05LN - Light cool grey

