

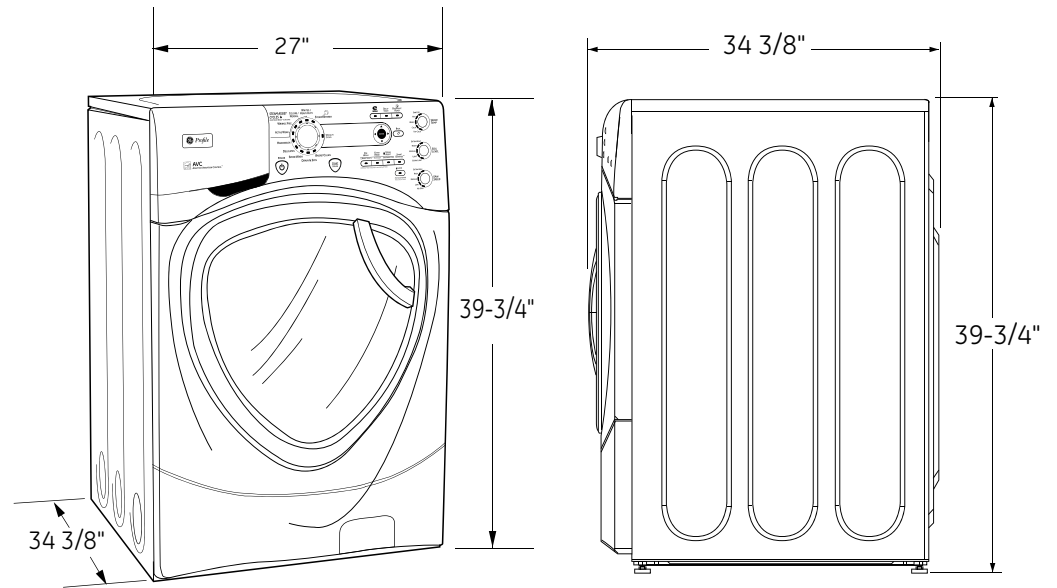
PFWS4600L/PFWS4605L

GE Profile 5.1 IEC* cu. ft. stainless steel capacity frontload washer with Steam

Dimensions and Installation Information (in inches)

Electric Rating	
120V	12.0A, 60Hz

Installation Information: For complete information, see installation instructions packed with your washer.



For answers to your Monogram,[®] GE Profile[™] or GE[®] appliance questions, visit our website at ge.com or call GE Answer Center[®] service, 800.626.2000.



imagination at work



Listed by
Underwriters
Laboratories

PFWS4600L/PFWS4605L

GE Profile 5.1 IEC* cu. ft. stainless steel capacity frontload washer with Steam

Special Installation Requirements:

Stacked Installation:

Kit for stacking dryer over washer is not included with the washer.
Order GEFLSTACK.

Alcove or Closet Installation:

- If your dryer is approved for installation in an alcove or closet, it will be stated on a label on the dryer back.
- The dryer MUST be exhausted to the outside.
- Minimum clearances between dryer cabinet and adjacent walls or other surfaces are: 0" either side, 3" front and rear
- Minimum vertical space from floor to overhead cabinets, ceilings, etc. is 52".
- Closet doors must be louvered or otherwise ventilated and must contain a minimum of 60 sq. in. of open area equally distributed. If this closet contains both a washer and a dryer, doors must contain a minimum of 120 sq. in. of open area equally distributed.
- No other fuel-burning appliance shall be installed in the same closet with a gas dryer.

Bathroom or Bedroom Installation:

- The dryer MUST be exhausted to the outdoors.
- The installation must conform with the local codes, or in the absence of local codes, with the National Fuel Gas Code, ANSI Z223.

Minimum Clearance other than Alcove or Closet Installations:

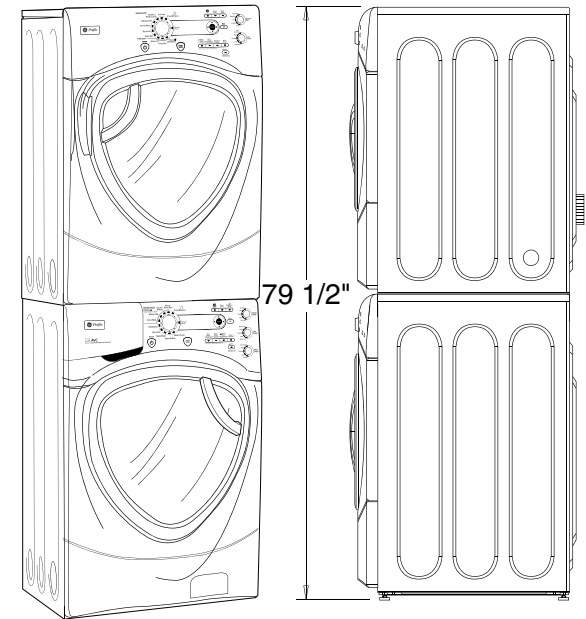
- Minimum clearances to combustible surfaces 0" both sides, 3" rear.

For more information on venting kits and accessories, please call 1-800-GE-CARES.

For answers to your Monogram®, GE Profile™ or GE® appliance questions, visit our website at ge.com or call GE Answer Center® service, 800.626.2000.



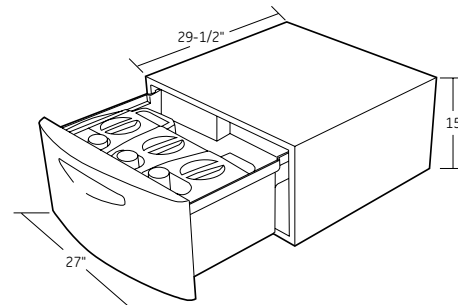
Stacked Dimensions (in inches)



SmartDispense™ Pedestal Dimensions (in inches)

SPBD880JMG - Champagne
SPBD880JWW - White

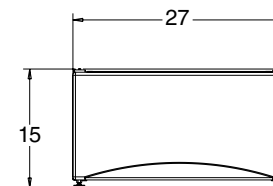
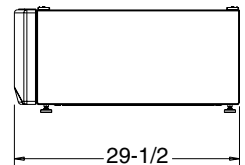
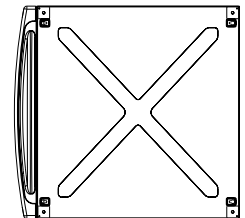
This optional 15" pedestal raises the door opening and height of the washer or dryer. Feet on 15" pedestal allow it to adjust to 15-3/8" height.



Storage Pedestal Dimensions (in inches)

SPSD157JMG - Champagne
SPSD157JWW - White

This optional 15" pedestal raises the door opening and height of the washer or dryer. Feet on 15" pedestal allow it to adjust to 15-3/8" height.

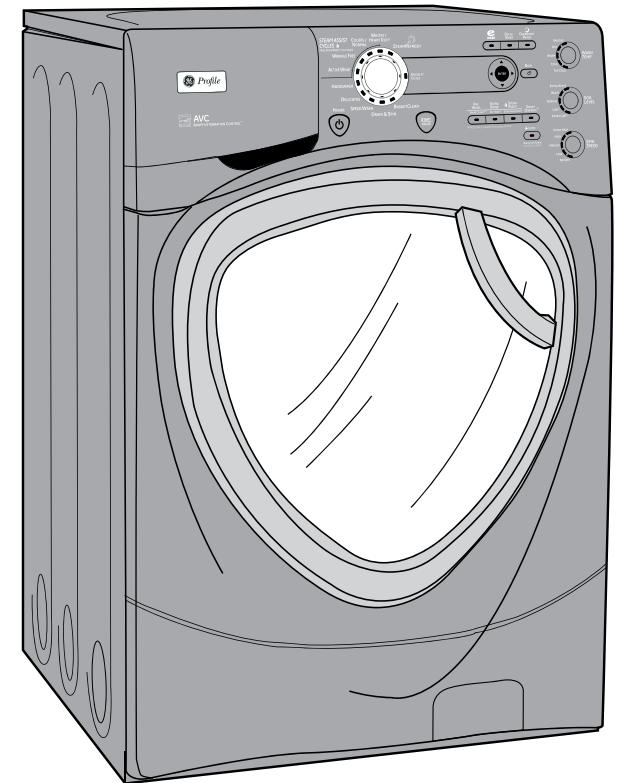


PFWS4600L/PFWS4605L

GE Profile 5.1 IEC* cu. ft. stainless steel capacity frontload washer with Steam

Features and Benefits

- Steam Refresh/Steam Assist - Steam Refresh helps reduce wrinkles and odors and rejuvenates fabrics, while Steam Assist penetrates fabrics to dissolve soils and help remove tough stains
 - ENERGY STAR® qualified and CEE Tier III rated - Meets or exceeds federal guidelines for energy efficiency for year-round energy and money savings
 - Adaptive Vibration Control (AVC) - Laundry room on the second floor? No problem! AVC adapts and optimizes spin patterns reducing vibration and sound no matter where your laundry room is located
 - Overnight Ready - A small load is washed and ready to wear in 8 hours or less without changing the load from the washer to the dryer
 - Specialty cycles - Pre-set cycles take specific care of 24 types of specialty loads including performance fabrics, fleece, pet bedding, and bras and hosiery
 - eWash option - Energy-saving option uses a cold water wash on select cycles without sacrificing performance
 - SmartDispense™ technology - Pedestal holds up to six months of detergent and fabric softener* and dispenses the right amount at the right time
 - Stain Inspector™ system - The most comprehensive stain removal system available treats over 40 common stains, from grass stains to grease
 - 1300 RPM spin speed - Fast spin speeds remove water efficiently and minimize dry time
 - My Cycles - Custom cycle that can be set for specific or frequent needs
- * Based on an 8-lb. AHAM load, 10 loads per week
- Model PFWS4605LMG – Champagne
 - Model PFWS4600LWW – White



Modified Energy Factor (MEF)	2.69
Water Factor (WF)	3.9

