



# Spacemaker Washers

**Safety Instructions** ..... 2-4

**Operating Instructions**

Control Panels ..... 5

Control Settings ..... 5

Fabric Care Labels ..... 10

Features ..... 6, 7

Loading and Using the Washer ..... 8, 9

**Installation Instructions** ..... 11-16

Drain Requirements ..... 14

Electrical Requirements ..... 14

Installing the Washer ..... 15, 16

Location of Your Washer ..... 12

Preparing to Install Your Washer ..... 11

Replacement Parts ..... 16

Rough-In Dimensions ..... 12

Unpacking Your Washer ..... 13

Water Supply Requirements ..... 14

**Troubleshooting Tips** ..... 17-20

**Consumer Support**

Consumer Support ..... 24

Warranty ..... 23

**Owner's Manual & Installation Instructions**

WSSH300

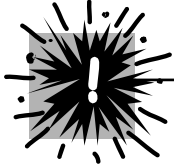


As an ENERGY STAR® partner, GE has determined that this product meets the ENERGY STAR® guidelines for energy efficiency.

# IMPORTANT SAFETY INFORMATION. READ ALL INSTRUCTIONS BEFORE USING.

**⚠ WARNING!** For your safety, the information in this manual must be followed to minimize the risk of fire or explosion, electric shock, or to prevent property damage, personal injury, or loss of life.

The instructions in this manual and all other literature included with this washer are not meant to cover every possible condition and situation that may occur. Good, safe practices and caution **MUST** be applied when installing, operating, and maintaining any appliance.



## WATER HEATER SAFETY

*Under certain conditions, hydrogen gas may be produced in a water heater that has not been used for two weeks or more. Hydrogen gas can be explosive under these circumstances.*

If the hot water has not been used for two weeks or more, prevent the possibility of damage or injury by turning on all hot water faucets and allowing them to run for several minutes. Do this before using any electrical appliance which is connected to the hot water system. This simple procedure will allow any built-up hydrogen gas to escape. Since the gas is flammable, do not smoke or use an open flame or appliance during this process.



## **PROPER INSTALLATION**

*This washer must be properly installed and located in accordance with the Installation Instructions before it is used.*

- Install or store where it will not be exposed to temperatures below freezing or exposed to the weather.
- Properly ground washer to conform with all governing codes and ordinances. Follow details in Installation Instructions.



## **YOUR LAUNDRY AREA**

- Keep the area underneath and around your appliances free of combustible materials such as lint, paper, rags and chemicals.
- Do not leave the washer door open. An open door could entice children to hang on the door or crawl inside the washer.
- Close supervision is necessary if this appliance is used by or near children. Do not allow children to play on, with, or inside this or any other appliance.

# IMPORTANT SAFETY INFORMATION. READ ALL INSTRUCTIONS BEFORE USING.



## WHEN USING THE WASHER

Use this appliance only for its intended purpose as described in this Owner's Manual.

- Never reach into washer while it is moving. Wait until the machine has completely stopped before opening the door.
- Do not mix chlorine bleach with ammonia or acids such as vinegar and/or rust remover. Mixing different chemicals can produce a toxic gas which may cause death.
- Do not wash or dry articles that have been cleaned in, washed in, soaked in, or spotted with combustible or explosive substances (such as wax, oil, paint, gasoline, degreasers, dry-cleaning solvents, kerosene, etc.) which may ignite or explode. Do not add these substances to the wash water. Do not use or place these substances around your washer or dryer during operation.
- The laundry process can reduce the flame retardancy of fabrics. To avoid such a result, carefully follow the garment manufacturer's wash and care instructions.
- To minimize the possibility of electric shock, unplug this appliance from the power supply or disconnect the washer at the household distribution panel by removing the fuse or switching off the circuit breaker before attempting any maintenance or cleaning.  
**NOTE:** Pressing the **PAUSE** button does **NOT** disconnect the appliance from the power supply.
- Never attempt to operate this appliance if it is damaged, malfunctioning, partially disassembled, or has missing or broken parts, including a damaged cord or plug.
- Do not slam the washer door closed or try to force the door open when locked (Door Lock light ON). This could result in damage to the washer.
- The washer is equipped with an electrical overload protector. The motor will stop if it becomes overheated. The washer will automatically restart after a cool-down period of up to 30 minutes, if the washer has not been manually turned off during this time.



## WHEN NOT IN USE

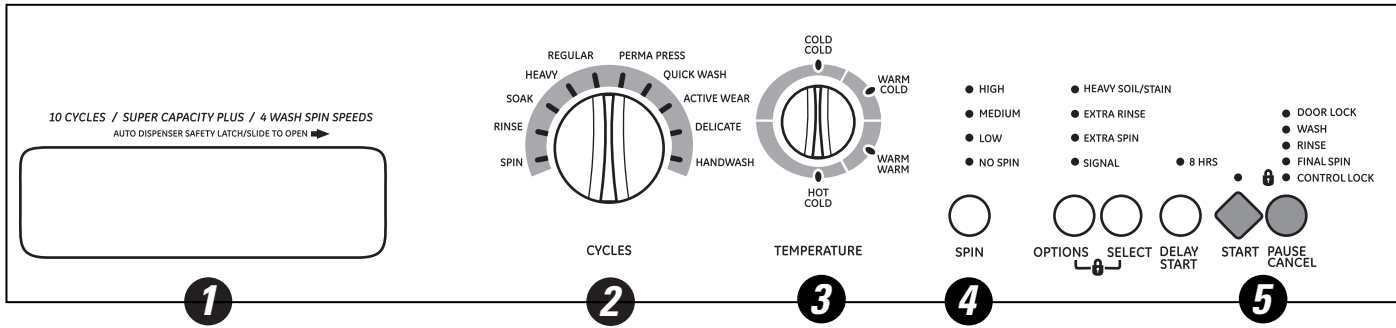
- Turn off water faucets to relieve pressure on hoses and valves and to minimize leakage if a break or rupture should occur. Check the condition of the fill hoses; they should be replaced every 5 years.
- Before discarding a washer, or removing it from service, remove the washer door to prevent children from hiding inside.
- Do not attempt to repair or replace any part of this appliance unless specifically recommended in this Owner's Manual, or in published user-repair instructions that you understand and have the skills to carry out.
- Do not tamper with controls.



**READ AND FOLLOW THIS SAFETY INFORMATION CAREFULLY.  
SAVE THESE INSTRUCTIONS**

# About the washer control panel.

You can locate your model number at the top inside of the door opening.



## Control Settings

### 1 Automatic Dispenser and Safety Latch

Safety latch slides to the right to open drawer. (Latch locks to the left on its own.) Add detergent, liquid bleach and fabric softener to this drawer.

### 2 Wash Cycle

The wash cycle controls the length of the washing process. The chart below will help you match the wash cycle setting with your loads. Set the desired wash cycle by turning the cycle knob.

<b>HANDWASH</b>	For items labeled hand-washable with light soils. Provides gentle rocking to mimic the handwashing action.
<b>DELICATE</b>	For lingerie and special-care fabrics with light to normal soil. Provides gentle tumbling and soak during wash and rinse.
<b>ACTIVE WEAR</b>	For active sports, exercise and some casual wear clothes. Fabrics include modern technology finishes and fibers such as spandex, stretch and micro-fibers.
<b>QUICK WASH</b>	For lightly soiled items you need in a hurry.
<b>PERMA PRESS</b>	For wrinkle-free and permanent press items.
<b>HEAVY</b>	For heavily soiled cottons, household linens, work and play clothes.

### 3 Temperature

Select the water temperature for the wash and rinse cycles. Always follow garment manufacturer's care label or instructions when laundering.

### 4 Spin Speed

The HIGH spin speed is for durable items.

The MEDIUM spin speed is for delicate items like sweaters and lingerie.

When using the MEDIUM spin speed, clothes will be less dry than when using the HIGH spin speed.

### 5 START/PAUSE CANCEL

Start the washer by closing the door and pressing the **START** button.

To stop the washer, press the **PAUSE CANCEL** button. Press the **START** button to restart.

- The washer will not operate with the door open.
- The door will automatically lock during the entire wash cycle.

## About the washer features.

---

### **Signal**

When the Signal is ON, it will sound at the end of the cycle.

---

### **Extra Rinse (available on some cycles)**

Use an extra rinse when additional rinsing is desired to remove excess dirt and detergent from soiled loads.

---



● DOOR LOCK

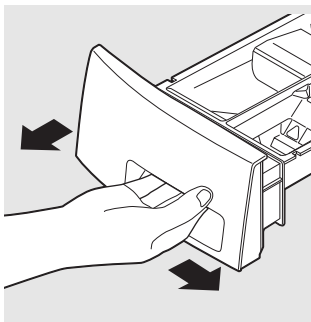
### **Door Lock Indicator Light**

The indicator light is ON and the door is locked when the **START** button is pressed. The light turns OFF at the end of the cycle.

---

### **Control Lock**

To prevent accidentally starting or stopping the washer, press **OPTIONS** and **SELECT** at the same time until the Control Lock indicator is lighted. To unlock the controls, press **OPTIONS** and **SELECT** again.



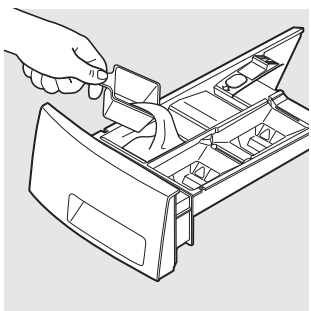
### The Dispenser Drawer

Slowly open the dispenser drawer by first sliding the safety latch to the right, then pulling the drawer out until it stops.

After adding laundry products, slowly close the dispenser drawer. Closing the drawer too quickly could result in early dispensing of the bleach and fabric softener.

You may see water in the bleach and fabric softener compartments. This is a result of the siphoning action and is part of the normal operation of the washer.

**!** If the dispenser drawer is pulled out more than 1-1/2" when the washer is in operation, the washer will shut off. The DOOR LOCK indicator light will turn off and the door will be unlocked. Slowly close the drawer, and the washer will automatically resume operation.



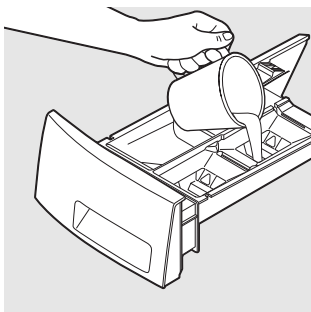
### The Detergent Compartment

- Add measured detergent to the detergent compartment of the dispenser drawer.
- Detergent is flushed from the dispenser at the beginning of the cycle. Either powdered or liquid detergent can be used.


**NOTE:** Liquid detergent will drain into the washer drum as it is added.

- **Low sudsing detergent is recommended for this washer. Use the manufacturer's recommended amount.**

- Detergent usage may need to be adjusted for water temperature, water hardness, size and soil level of the load. Avoid using too much detergent in your washer as it can lead to oversudsing and detergent residue being left on the clothes.
- Color-safe bleach, water conditioner, detergent booster and enzyme products may be added to the detergent compartment. Avoid mixing liquids and powders.
- If the dispenser drawer is opened during operation, the washer will shut off. Slowly close the dispenser drawer, and press **START** to continue cycle.



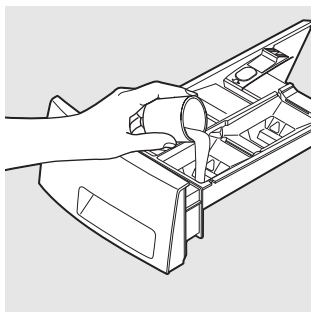
### The Liquid Bleach Compartment

If desired, measure out the recommended amount of liquid chlorine bleach, not to exceed 1/3 cup (80 ml) and pour into the center compartment labeled "LIQUID BLEACH" marked with this symbol .

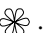
Fill to the minimum fill line (MIN.) for small loads.

Do not exceed the maximum fill line. Overfilling can cause early dispensing of the bleach which could result in damaged clothes.

**NOTE:** Do not use powdered bleach in the dispenser.



### The Fabric Softener Compartment

If desired, pour the recommended amount of liquid fabric softener into the compartment labeled "FABRIC SOFTENER" and marked with this symbol .

Fill to the minimum fill line (MIN.) for small loads. Fill to the maximum fill line (MAX.) for large loads.

Dilute with water to the maximum fill line.

Do not exceed the maximum fill line. Overfilling can cause early dispensing of the fabric softener which could stain clothes.

**NOTE:** Do not pour fabric softener directly on the wash load.

## Loading and using the washer. *Always follow fabric manufacturer's care label when laundering.*



### Sorting Wash Loads

Sort laundry into loads that can be washed together.

<b>Colors</b>	<b>Soil</b>	<b>Fabric</b>	<b>Lint</b>
Whites	Heavy	Delicates	Lint Producers
Lights	Normal	Easy Care	Lint Collectors
Darks	Light	Sturdy Cottons	

- *Combine large and small items in a load. Load large items first. Large items should not be more than half the total wash load.*
- *Do not wash single items. This may cause an out-of-balance load. Add one or two similar items.*



### Loading the Washer

Wash drum may be fully loaded with loosely added items. **Do not wash fabrics containing flammable materials (waxes, cleaning fluids, etc.).**

To add items after washer has started, press the **PAUSE CANCEL** button and wait until there is no longer any water on the door window. Do not force open the locked door; open gently. Add items, close the door and press the **START** button.



### Care and Cleaning

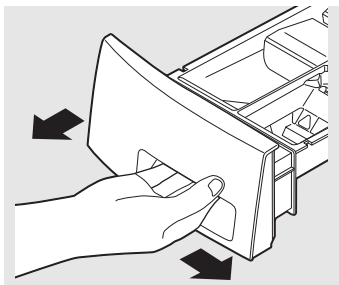
**Exterior:** Immediately wipe off any spills. Wipe with damp cloth. Try not to hit surface with sharp objects.

**Interior:** Dry around the washer door opening, flexible gasket and door glass. These areas should always be clean to ensure a water tight seal.

**Moving and Storage:** Ask the service technician to remove water from drain pump and hoses. Do not store the washer where it will be exposed to the weather. When moving the washer, the tub should be kept stationary by using the brackets and bolts removed during installation. See Installation Instructions in this book. If these parts are not available, they can be ordered by visiting our Website at [ge.com](http://ge.com) or by calling 800.GE.CARES.

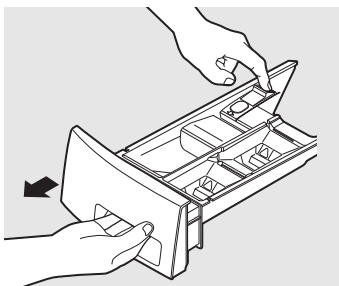
**Long Vacations:** Be sure water supply is shut off at faucets. Drain all water from hoses if weather will be below freezing.



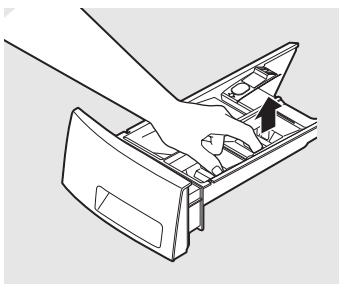


**Dispenser Drawer Area:** Detergent and fabric softener may build up in the dispenser drawer. Residue should be removed once or twice a month.

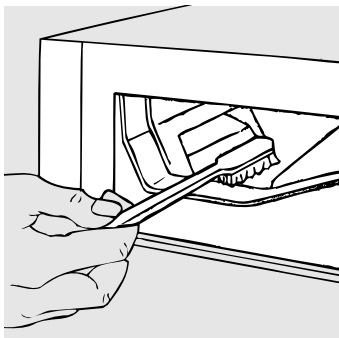
- Remove the drawer by first sliding the safety latch to the right, then pulling the drawer out until it stops. Reach back into the left rear corner of the drawer cavity and press down firmly on the lock tab, pulling out the drawer.



Lock tab is visible only after drawer has been pulled out



- Remove the inserts from the bleach and fabric softener compartments. Rinse the inserts and the drawer with hot water to remove traces of accumulated laundry products.



- To clean the drawer opening, use a small brush to clean the recess. Remove all residue from the upper and lower parts of the recess.

**NOTE:** Large amounts of fabric softener residue may indicate improper dilution or that more frequent cleaning is required.

- Return the bleach and fabric softener inserts to the proper compartments. Replace the insert, pressing the "X" to lock it in place. Replace the dispenser drawer and run the QUICK WASH cycle without any wash load in the drum.

# About the washer features.



## Fabric Care Labels

Below are fabric care label “symbols” that affect the clothing you will be laundering.

### WASH LABELS

<b>Machine wash cycle</b>						
	Normal	Permanent Press/ wrinkle resistant	Gentle/ delicate	Hand wash	Do not wash	Do not wring
<b>Water temperature</b>						
	Hot (50°C/120°F)		Warm (40°C/105°F)		Cold/cool (30°C/85°F)	

### DRY LABELS

<b>Tumble dry</b>						
	Dry	Normal	Permanent Press/ wrinkle resistant	Gentle/ delicate	Do not tumble dry	Do not dry (used with do not wash)
<b>Heat setting</b>						
	High	Medium	Low	No heat/air		
<b>Special instructions</b>						
	Line dry/ hang to dry	Drip dry	Dry flat	In the shade		

### BLEACH LABELS

<b>Bleach symbols</b>			
	Any bleach (when needed)	Only non-chlorine bleach (when needed)	Do not bleach

# Installation Instructions

# Spacemaker Washer

Model WSSH300

If you have any questions, call 800.GE.CARES (800.432.2737) or visit our Website at: [ge.com](http://ge.com)

## BEFORE YOU BEGIN

Read these instructions completely and carefully.

- **IMPORTANT** – Save these instructions for local inspector's use.
- **IMPORTANT** – Observe all governing codes and ordinances.
- **Note to Installer** – Be sure to leave these instructions with the Consumer.
- **Note to Consumer** – Keep these instructions for future reference.
- **Skill level** – Installation of this appliance requires basic mechanical and electrical skills.
- **Completion time** – 1-3 hours
- Proper installation is the responsibility of the installer.
- Product failure due to improper installation is not covered under the Warranty.

## FOR YOUR SAFETY:

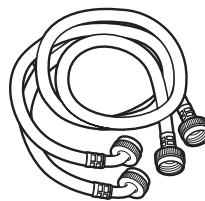
### ⚠ WARNING

- This appliance must be properly grounded and installed as described in these *Installation Instructions*.
- Do not install or store appliance in an area where it will be exposed to water/weather. See *Location of Your Washer* section.
- **NOTE: This appliance must be properly grounded, and electrical service to the washer must conform with local codes and ordinances and the latest edition of the National Electrical Code, ANSI/NFPA 70.**

## TOOLS REQUIRED FOR WASHER INSTALLATION

- Phillips screwdriver
- 10 mm socket with ratchet
- Channel-lock adjustable pliers
- Carpenter's level

## PARTS SUPPLIED



- Water Hoses (2)



- Cable Tie



- Rubber Washers (4)

# Installation Instructions

## LOCATION OF YOUR WASHER

### Do Not Install the Washer:

1. In an area exposed to dripping water or outside weather conditions. The ambient temperature should never be below 60°F (15.6°C) for proper washer operation.
2. In an area where it will come in contact with curtains or drapes.
3. On carpet. The floor **MUST** be a hard surface with a maximum slope of 1/2" per foot (1.27 cm per 30 cm). To make sure the washer does not vibrate or move, you may have to reinforce the floor.

### IMPORTANT:

#### Minimum Installation Clearances

- When installed in alcove: Sides, Rear, Top = 0" (0 cm)
- When installed in closet: Sides, Rear, Top = 0" (0 cm), Front = 1" (2.54 cm)
- Closet door ventilation openings required: 2 louvers each 60 square in. (387 cm<sup>2</sup>), located 3" (7.6 cm) from top and bottom of door

#### Undercounter Installation

If an undercounter installation is desired, a custom-sized countertop is required (36" to the underside of the countertop). No special washer top is required.

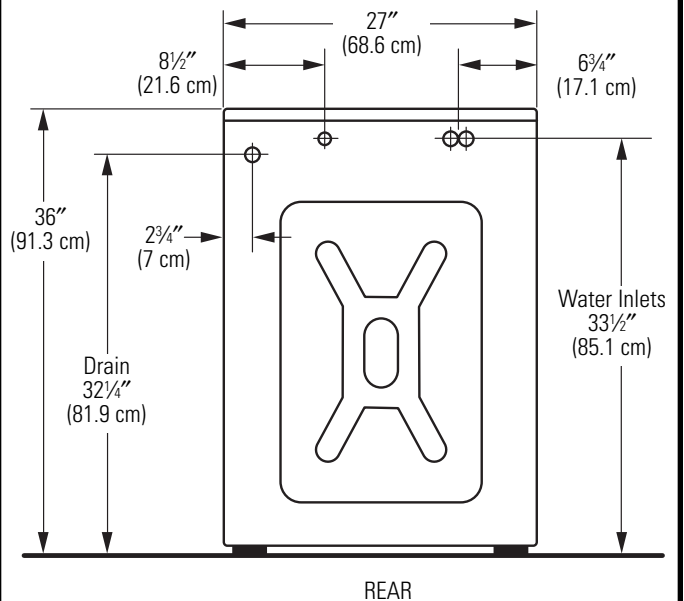
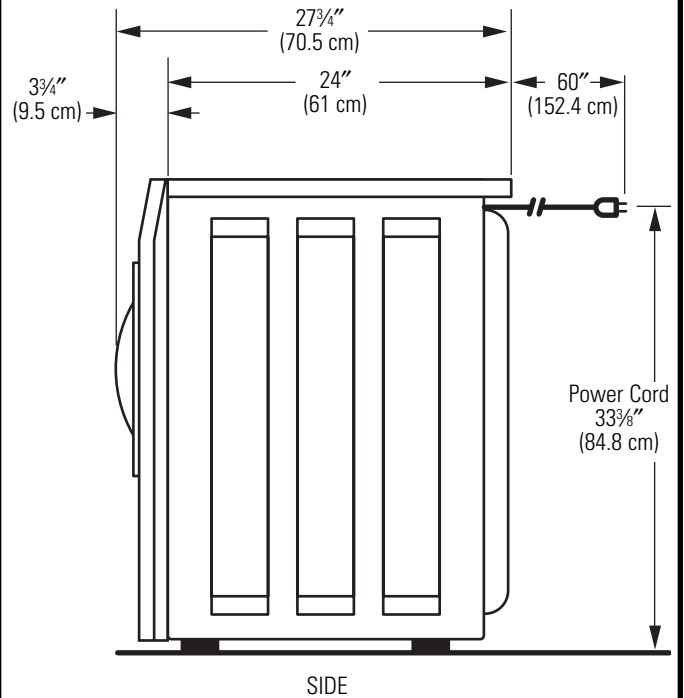
#### Mobile Home Installation

Installation must conform to Standard for Mobile Homes, ANSI A119.1 and National Mobile Home Construction and Safety Standards Act of 1974 (PL93-383).

#### Stacked Installation

If a stacked washer/dryer installation is desired, you **MUST** use Stacking Kit WE25X10020. This kit is available through your GE retailer.

## ROUGH-IN DIMENSIONS

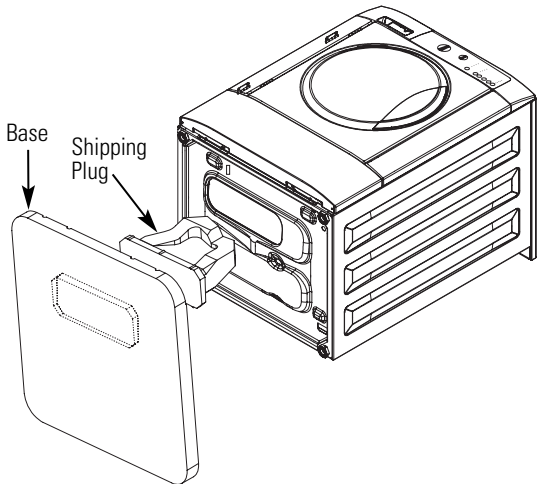


# Installation Instructions

## UNPACKING THE WASHER

**⚠ WARNING:** Destroy the carton and plastic bags after the washer is unpacked. Children might use them for play. Cartons covered with rugs, bedspreads, or plastic sheets can become airtight chambers causing suffocation. Place all materials in a garbage container or make materials inaccessible to children.

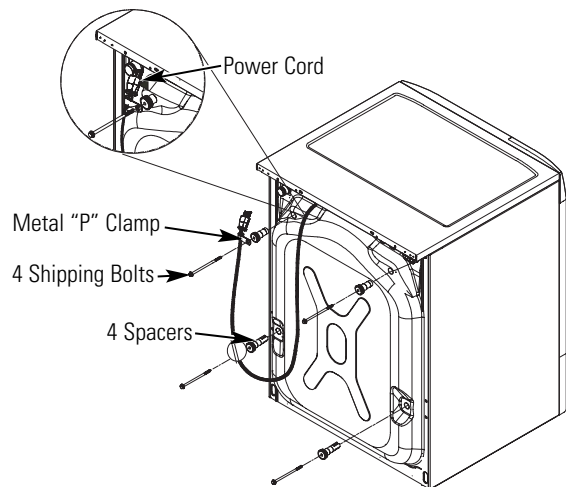
1. Cut the shipping carton along the dotted line along the bottom. Remove the carton.
2. Using a rug, blanket or piece of cardboard to protect the floor, lay the washer on its back.
3. Remove and save the styrofoam base and shipping plug.



4. Carefully return the washer to an upright position.
5. Carefully move the washer to within 4 feet (122 cm) of the final location.
6. Remove the following from the back panel of the washer:
  - 4 shipping bolts
  - 4 spacers
  - 1 metal "P" clamp
7. Remove the 4 plugs from the literature pack located in the drum and install them in the holes vacated by the packaging spacers.

**Save all bolts, washers, spacers, brackets, clamps and blocks for future use.**

**NOTE:** If you must transport the washer at a later date, you must reinstall the shipping support hardware to prevent shipping damage. Keep the hardware in the plastic bag provided.



# Installation Instructions

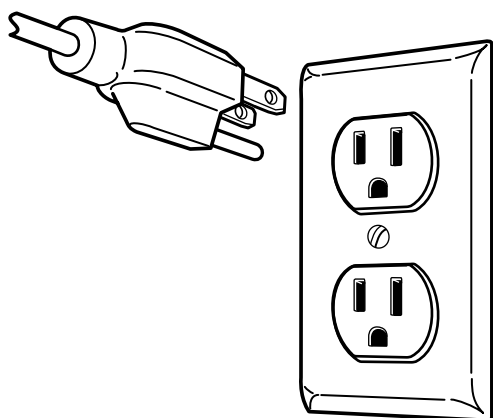
## ELECTRICAL REQUIREMENTS

Read these instructions completely and carefully.

**CIRCUIT** – Individual, properly polarized and grounded 15-amp branch circuit fused with 15-amp time-delay fuse or circuit breaker.

**POWER SUPPLY** – 2-wire, with ground, 120-volt, single-phase, 60-Hz, Alternating Current.

**OUTLET RECEPTACLE** – Properly grounded 3-prong receptacle to be located so the power supply cord is accessible when the washer is in an installed position.



## GROUNDING REQUIREMENTS

**⚠ WARNING:** Improper connection of the equipment grounding conductor can result in a risk of electrical shock. Check with a licensed electrician if you are in doubt as to whether the appliance is properly grounded.

1. The washer **MUST** be grounded. In the event of malfunction or breakdown, grounding will reduce the risk of electrical shock by providing a path of least resistance for electrical current.
2. Since your washer is equipped with a power supply cord having an equipment-grounding conductor and a grounding plug, the plug **MUST** be plugged into an appropriate, copper-wired receptacle that is properly installed and grounded in accordance with all local codes and ordinances or in the absence of local codes, with the National Electrical Codes, ANSI/NFPA 70 (latest edition). If in doubt, call a licensed electrician. **DO NOT** cut off or alter the grounding prong on the power supply cord. In situations where a two-slot receptacle is present, it is the owner's responsibility to have a licensed electrician replace it with a **properly grounded** three-prong grounding-type receptacle.

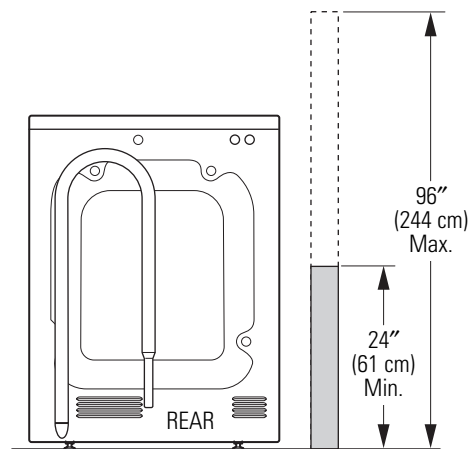
## WATER SUPPLY REQUIREMENTS

Hot and cold water faucets **MUST** be installed within 42 inches (107 cm) of your washer's water inlet. The faucets **MUST** be 3/4" (1.9 cm) garden hose-type so inlet hoses can be connected. Water pressure **MUST** be between 10 and 120 pounds per square inch (maximum unbalanced pressure, hot vs. cold, 10 psi.) Your water department can advise you of your water pressure. The hot water temperature should be set to deliver water at 120° to 140°F (48°–60°C).

## DRAIN REQUIREMENTS

1. Drain capable of eliminating 17 gals (64.3 L) per minute.
2. A standpipe diameter of 1 1/4" (3.18 cm) minimum.
3. The standpipe height above the floor should be:

Minimum height: 24" (61 cm)  
Maximum height: 96" (244 cm)

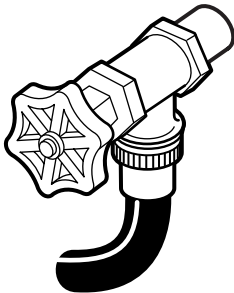
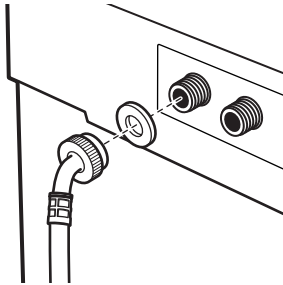


**NOTE:** The drain hose attached to the washer can reach a 90" (229 cm) high standpipe. For a higher standpipe, contact an authorized parts distributor. If the drain is less than 24" (61 cm), install a siphon break kit, available at your local hardware store.

# Installation Instructions

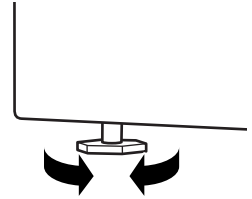
## INSTALLING THE WASHER

1. Run some water from the hot and cold faucets to flush the water lines and remove particles that might clog up the water valve screens.
2. Remove the inlet hoses and rubber washers from the plastic bag and install the rubber washers in each end of the inlet hoses.
3. (90° elbow end)  
Carefully connect the inlet hose marked HOT to the outside "H" outlet of the water valve. Tighten by hand, then tighten another 2/3 turn with pliers. Carefully connect the other inlet hose to the inside "C" outlet of the water valve. Tighten by hand; then tighten another 2/3 turn with pliers. **Do not crossthread or over-tighten these connections.**
4. Connect the inlet hose ends to the HOT and COLD water faucets tightly by hand, then tighten another 2/3 turn with pliers. Turn the water on and check for leaks.



5. Carefully move the washer to its final location. Gently lift up on the front of the washer and slide back.  
**NOTE:** Do not use the dispenser drawer or door to lift the washer.

6. With the washer in its final position, place a level on top of the washer (if the washer is installed under a counter, the washer should not be able to rock). Adjust the front leveling legs up or down to ensure the washer is resting solid. Turn the lock nuts on each leg up towards the base of the washer and snug with a wrench.



**NOTE:** Keep the leg extension at a minimum to prevent excessive vibration. The farther out the legs are extended, the more the washer will vibrate.

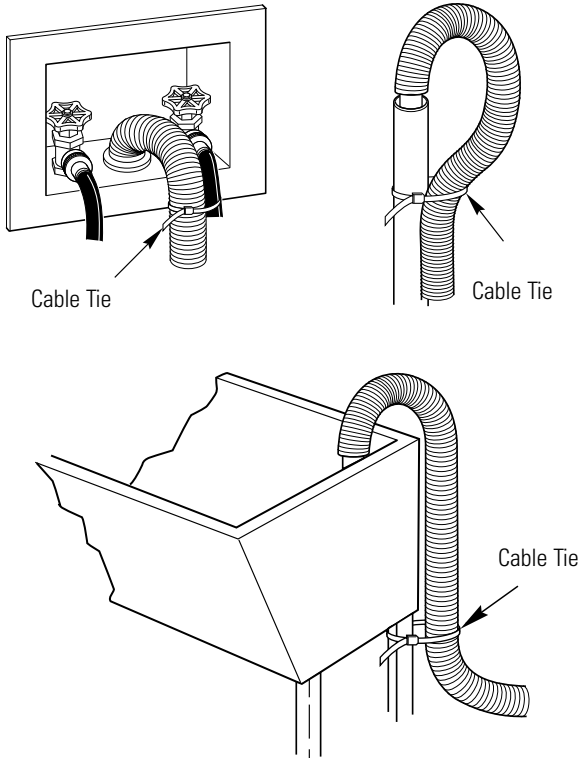
If the floor is not level or is damaged, you may have to extend the rear leveling legs. For undercounter installations, you can adjust the rear legs by removing the front service panel.

# Installation Instructions

## INSTALLING THE WASHER (cont.)

7. Form a U shape on the end of the drain hose with the hose pointed toward the drain. Place the hose in a laundry tub or standpipe and secure it with the cable tie provided in the enclosure package.

**NOTE:** If the drain hose is placed in a standpipe without forming a U shape, a siphoning action could occur. There must be an air gap around the drain hose. A snug hose fit can also cause a siphoning action.



8. Plug the power cord into a grounded outlet.

**NOTE:** Check to be sure the power is off at a circuit breaker/fuse box before plugging the power cord into an outlet.

9. Turn on the power at a circuit breaker/fuse box.
10. Read the rest of this Owner's Manual. It contains valuable and helpful information that will save you time and money.
11. **Before starting the washer, check to make sure:**
- Main power is turned on.
  - The washer is plugged in.
  - The water faucets are turned on.
  - The unit is level.
  - The shipping support hardware is removed and saved.
  - The drain hose is properly tied up.
  - There are no leaks at the faucet, drain line or washer.
12. Run the washer through a complete cycle. Check for water leaks and proper operation.
13. If your washer does not operate, please review the *Before You Call For Service* section before calling for service.
14. Place these instructions in a location near the washer for future reference.

## REPLACEMENT PARTS

If replacement parts are needed for your washer, they can be ordered by visiting our Website at [ge.com](http://ge.com) or by calling 800.GE.CARES.



## Before you call for service...



**Troubleshooting Tips**  
Save time and money! Review the charts on the following pages first and you may not need to call for service.

<b>WATER</b>	<b>Possible Causes</b>	<b>What To Do</b>
<b>Water leaks</b>	<b>Fill hoses or drain hose is improperly connected</b>	<ul style="list-style-type: none"> <li>• Make sure hose connections are tight at washer and faucets and make sure end of drain hose is correctly inserted in and secured to drain facility.</li> </ul>
	<b>Household drain may be clogged</b>	<ul style="list-style-type: none"> <li>• Check household plumbing. You may need to call a plumber.</li> </ul>
	<b>Constant water pressure to the fill hoses at the water source</b>	<ul style="list-style-type: none"> <li>• Tighten hoses at the faucets and turn the water off after each use.</li> <li>• Check condition of the fill hoses; they should be replaced every 5 years.</li> </ul>
	<b>Oversudsing</b>	<ul style="list-style-type: none"> <li>• Use less detergent or low sudsing detergent.</li> </ul>
<b>Too many suds</b>	<b>Type of detergent</b>	<ul style="list-style-type: none"> <li>• Switch to a low-sudsing detergent and follow instructions on package.</li> </ul>
	<b>Very soft water</b>	<ul style="list-style-type: none"> <li>• Try less detergent.</li> </ul>
<b>Water won't drain</b>	<b>Drain hose is kinked or improperly connected</b>	<ul style="list-style-type: none"> <li>• Straighten drain hose and make sure washer is not sitting on it.</li> <li>• Top of drain outlet should be less than 8 ft. (2.5 m) above floor.</li> </ul>
	<b>Household drain may be clogged</b>	<ul style="list-style-type: none"> <li>• Check household plumbing. You may need to call a plumber.</li> </ul>
<b>Water temperature is incorrect</b>	<b>Control is not set properly</b>	<ul style="list-style-type: none"> <li>• Check water temperature control and adjust.</li> </ul>
	<b>Water supply is improperly connected</b>	<ul style="list-style-type: none"> <li>• Make sure hoses are connected to correct faucets.</li> </ul>
	<b>Water valve screens are stopped up</b>	<ul style="list-style-type: none"> <li>• Turn off the water source and remove the water connection hoses from the upper back of the washer. Use a brush or toothpick to clean the screens in the machine. Reconnect the hoses and turn the water back on.</li> </ul>
	<b>House water heater is not set properly</b>	<ul style="list-style-type: none"> <li>• Make sure house water heater is delivering water at 120°–140°F (48°–60°C).</li> </ul>
<b>Water does not enter washer or enters slowly</b>	<b>Water supply is turned off</b>	<ul style="list-style-type: none"> <li>• Turn on both hot and cold faucets fully.</li> </ul>

## Before you call for service...

<b>OPERATION</b>	<b>Possible Causes</b>	<b>What To Do</b>
<b>Washer pauses in cycle</b>	The washer normally pauses between washing steps	
<b>Washer won't operate</b>	Washer is unplugged	• Make sure cord is plugged securely into a working outlet.
	Water supply is turned off	• Turn both hot and cold faucets fully on.
	Circuit breaker/fuse is tripped/blown	• Check house circuit breakers/fuses. Replace fuses or reset breaker. Washer should have separate outlet.
	Controls are not set properly	• Check controls and make sure the <b>START</b> or <b>DELAY START</b> button has been pressed.
	Door is open	• Close door and press the <b>START</b> button.
	Dispenser drawer is open	• Close drawer.
<b>Washer won't spin</b>	Motor is overheated	• Washer motor will stop if it becomes overheated. It will automatically restart after a cool down period of up to 30 minutes (if washer has not been manually turned off).
	Washer door open	• Make sure door is closed.
	Dispenser drawer open	• Close drawer.
	Load is too small	• Add one or two similar items to help balance the load.

<b>NOISE</b>	<b>Possible Causes</b>	<b>What To Do</b>
<b>Washer is noisy</b>	Washer is uneven	• Make sure washer is level and rests firmly on the floor.
	Washer load is unbalanced	• Press the <b>PAUSE</b> button to stop the washer, open the door and redistribute the load evenly. Close the door and restart.
	High pitch jet engine sound	• This is normal during the spin cycle.
	Squealing sound or hot rubber odor	• Washer is overloaded. Stop washer and reduce load.
	Shipping bolts and foam block have not been removed	• See Installation Instructions for directions to remove shipping bolts and foam block.
	Rattling and clanking caused by foreign objects in tub or pump or metal fasteners hitting tub	• Check drum for foreign objects. Turn items with metal fasteners inside out. Call authorized servicer to inspect pump.

<b>PERFORMANCE</b>	<b>Possible Causes</b>	<b>What To Do</b>
<b>Lint or residue on clothes</b>	Incorrect sorting	• Separate lint producers from lint collectors.
	Washing too long	• Excess wash time may create lint.
	Detergent not dissolving	• Try a liquid detergent. • Use warmer water temperature.
	Overloading	• Wash drum may be fully loaded with loosely added items.
	Incorrect use of fabric softener	• Check fabric softener package for instructions and follow directions for using dispenser.

<b>PERFORMANCE (cont.)</b>	<b>Possible Causes</b>	<b>What To Do</b>
<b>Clothes too wet</b>	<b>Load is too small</b>	<ul style="list-style-type: none"> <li>• Add one to two similar items.</li> </ul>
	<b>Load is out of balance</b>	<ul style="list-style-type: none"> <li>• Redistribute load.</li> </ul>
<b>Pilling</b>	<b>Result of normal wear on poly-cotton blends and fuzzy fabrics</b>	<ul style="list-style-type: none"> <li>• While this is not caused by the washer, you can slow the pilling process by washing garments inside out.</li> </ul>
<b>Grayed or yellowed clothes</b>	<b>Not enough detergent</b>	<ul style="list-style-type: none"> <li>• Use correct amount of detergent.</li> </ul>
	<b>Hard water</b>	<ul style="list-style-type: none"> <li>• Use hottest water safe for fabric.</li> <li>• Use a water conditioner like Calgon brand or install a water softener.</li> </ul>
	<b>Water is not hot enough</b>	<ul style="list-style-type: none"> <li>• Make sure water heater is delivering water at 120°–140°F (48°–60°C).</li> </ul>
	<b>Detergent is not dissolving</b>	<ul style="list-style-type: none"> <li>• Try a liquid detergent.</li> </ul>
	<b>Dye transfer</b>	<ul style="list-style-type: none"> <li>• Sort clothes by color. If fabric label states <i>wash separately</i>, unstable dyes may be indicated.</li> </ul>
<b>Colored spots</b>	<b>Incorrect use of fabric softener</b>	<ul style="list-style-type: none"> <li>• Check fabric softener package for instructions and follow directions for using dispenser.</li> </ul>
	<b>Dye transfer</b>	<ul style="list-style-type: none"> <li>• Sort whites or lightly colored items from dark colors.</li> <li>• Promptly remove wash load from washer.</li> </ul>
<b>Wrinkling</b>	<b>Improper sorting</b>	<ul style="list-style-type: none"> <li>• Avoid mixing heavy items (like work clothes) with light items (like blouses).</li> </ul>
	<b>Overloading</b>	<ul style="list-style-type: none"> <li>• Load your washer so clothes have enough room to move freely.</li> </ul>
	<b>Incorrect wash cycle</b>	<ul style="list-style-type: none"> <li>• Match Cycle selection to the type of fabric you are washing (especially for easy care loads).</li> </ul>
	<b>Repeated washing in water that is too hot</b>	<ul style="list-style-type: none"> <li>• Wash in warm or cold water.</li> </ul>
<b>Snags, holes, tears, rips or excessive wear</b>	<b>Pins, snaps, hooks, sharp buttons, belt buckles, zippers, and sharp objects left in pockets</b>	<ul style="list-style-type: none"> <li>• Fasten snaps, hooks, buttons and zippers.</li> <li>• Remove loose items like pins, objects in pockets and sharp buttons.</li> <li>• Turn knits (which snag easily) inside out.</li> </ul>
	<b>Undiluted chlorine bleach</b>	<ul style="list-style-type: none"> <li>• Never add undiluted bleach to wash or allow clothes to come in contact with undiluted bleach. Follow directions for use of bleach dispenser.</li> </ul>
	<b>Chemicals like hair bleach or dye, permanent wave solution</b>	<ul style="list-style-type: none"> <li>• Rinse items that may have chemicals on them before washing.</li> </ul>

## Before you call for service...

### Error Codes

If the washer stops, an error code flashes and the signal beeps periodically, press **PAUSE/CANCEL**. Consult the Error Code Chart below for the possible cause and solution. If Control Lock is on when an Error Code occurs, the controls will unlock. Make the correction, select a cycle and press **START**. If the error code flashes again and the beeping continues, please contact service for assistance.

No. of Beeps, Error	Possible Causes	What To Do
<b>1, Water doesn't enter</b>	<b>Water supply to the home is interrupted</b>	<ul style="list-style-type: none"> <li>• Check to see if water flows adequately from other faucets in the home; wait for service to be restored.</li> </ul>
	<b>Water pressure is too low</b>	<ul style="list-style-type: none"> <li>• Avoid running water in other areas of the home when doing laundry.</li> </ul>
	<b>Water may not be turned on or faucet may not be fully opened</b>	<ul style="list-style-type: none"> <li>• Fully open supply faucets to washer.</li> </ul>
	<b>Hoses are kinked or drain pipe is below minimum height of 24"</b>	<ul style="list-style-type: none"> <li>• Straighten hoses. Raise height of bend in drain hose to a minimum of 24".</li> </ul>
<b>1, Water leaks</b>	<b>Hose connections are loose</b>	<ul style="list-style-type: none"> <li>• Tighten inlet hose connections at faucets and washer.</li> </ul>
	<b>Household drain is clogged</b>	<ul style="list-style-type: none"> <li>• Unclog household drain.</li> </ul>
	<b>Oversudsing</b>	<ul style="list-style-type: none"> <li>• Use high efficiency detergent in the amount recommended on the label.</li> </ul>
<b>2, Water doesn't drain</b>	<b>Drain hose is kinked or household drain is clogged</b>	<ul style="list-style-type: none"> <li>• Straighten hose and unclog household drain.</li> </ul>
<b>3, Drum overfilled</b>	<b>Inlet valve, pressure switch or control board failure</b>	<ul style="list-style-type: none"> <li>• Do not open door. Select Drain/Spin to remove water; restart the cycle.</li> </ul>
<b>4, Door is open</b>	<b>Washer will not operate if the door is open</b>	<ul style="list-style-type: none"> <li>• Close the washer door.</li> </ul>
<b>5, Motor is overheated</b>	<b>Washer motor stops if overheated</b>	<ul style="list-style-type: none"> <li>• Wait 30 minutes for motor to cool down.</li> </ul>
<b>7, Cold water doesn't enter washer</b>	<b>Cold water hose is connected to wrong faucet</b>	<ul style="list-style-type: none"> <li>• Connect the hose to the cold water faucet and the cold water inlet on the washer.</li> </ul>
	<b>Cold water faucet is not turned on</b>	<ul style="list-style-type: none"> <li>• Be sure cold water faucet is fully opened.</li> </ul>
<b>15, Oversudsing</b>	<b>A high efficiency detergent was not used</b>	<ul style="list-style-type: none"> <li>• Use only a high efficiency detergent. Follow manufacturer's recommendation for dosage.</li> </ul>
	<b>Too much detergent was added</b>	<ul style="list-style-type: none"> <li>• The amount may need to be adjusted for water temperature, water hardness, load size and soil level.</li> </ul>
<b>15, Hot water doesn't enter</b>	<b>Hot water hose is connected to the wrong faucet</b>	<ul style="list-style-type: none"> <li>• Connect the hot water hose to the hot water faucet and the hot water inlet on the washer.</li> </ul>
	<b>Hot water faucet is not turned on</b>	<ul style="list-style-type: none"> <li>• Be sure the hot water faucet is fully opened.</li> </ul>

**Notes.**

---

***Safety Instructions***

***Operating Instructions***

***Installation Instructions***

***Troubleshooting Tips***

***Consumer Support***

<b>Consumer Support</b>
<b>Troubleshooting Tips</b>
<b>Installation Instructions</b>
<b>Operating Instructions</b>
<b>Safety Instructions</b>

**Notes.**

---

# GE Washer Warranty.



All warranty service provided by our Factory Service Centers, or an authorized Customer Care® technician. To schedule service, on-line, 24 hours a day, visit us at [ge.com](http://ge.com), or call 800.GE.CARES (800.432.2737). Please have serial number and model number available when calling for service.

Staple your receipt here.  
Proof of the original purchase date is needed to obtain service under the warranty.

For The Period Of:	We Will Replace:
<b>One Year</b> From the date of the original purchase	<b>Any part</b> of the washer which fails due to a defect in materials or workmanship. During this <b>limited one-year warranty</b> , GE will also provide, <b>free of charge</b> , all labor and related service costs to replace the defective part.

## What Is Not Covered:

- Service trips to your home to teach you how to use the product.
- Improper installation, delivery or maintenance.
- Failure of the product if it is abused, misused, or used for other than the intended purpose or used commercially.
- Damage after delivery.
- Replacement of house fuses or resetting of circuit breakers.
- Damage to the product caused by accident, fire, floods or acts of God.
- Incidental or consequential damage caused by possible defects with this appliance.
- Product not accessible to provide required service.

**EXCLUSION OF IMPLIED WARRANTIES—Your sole and exclusive remedy is product repair as provided in this Limited Warranty. Any implied warranties, including the implied warranties of merchantability or fitness for a particular purpose, are limited to one year or the shortest period allowed by law.**

*This warranty is extended to the original purchaser and any succeeding owner for products purchased for home use within the USA. If the product is located in an area where service by a GE Authorized Servicer is not available, you may be responsible for a trip charge or you may be required to bring the product to an Authorized GE Service location for service. In Alaska, the warranty excludes the cost of shipping or service calls to your home.*

*Some states do not allow the exclusion or limitation of incidental or consequential damages. This warranty gives you specific legal rights, and you may also have other rights which vary from state to state. To know what your legal rights are, consult your local or state consumer affairs office or your state's Attorney General.*

**Warrantor: General Electric Company, Louisville, KY 40225**

## Consumer Support.

---



### *GE Appliances Website*

**ge.com**

Have a question or need assistance with your appliance? Try the GE Appliances Website 24 hours a day, any day of the year! For greater convenience and faster service, you can now download Owner's Manuals, order parts or even schedule service on-line.



### *Schedule Service*

**ge.com**

Expert GE repair service is only one step away from your door. Get on-line and schedule your service at your convenience 24 hours any day of the year! Or call 800.GE.CARES (800.432.2737) during normal business hours.



### *Real Life Design Studio*

**ge.com**

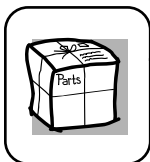
GE supports the Universal Design concept—products, services and environments that can be used by people of all ages, sizes and capabilities. We recognize the need to design for a wide range of physical and mental abilities and impairments. For details of GE's Universal Design applications, including kitchen design ideas for people with disabilities, check out our Website today. For the hearing impaired, please call 800.TDD.GEAC (800.833.4322).



### *Extended Warranties*

**ge.com**

Purchase a GE extended warranty and learn about special discounts that are available while your warranty is still in effect. You can purchase it on-line anytime, or call 800.626.2224 during normal business hours. GE Consumer Home Services will still be there after your warranty expires.

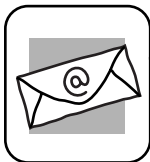


### *Parts and Accessories*

**ge.com**

Individuals qualified to service their own appliances can have parts or accessories sent directly to their homes (VISA, MasterCard and Discover cards are accepted). Order on-line today, 24 hours every day or by phone at 800.626.2002 during normal business hours.

**Instructions contained in this manual cover procedures to be performed by any user. Other servicing generally should be referred to qualified service personnel. Caution must be exercised since improper servicing may cause unsafe operation.**



### *Contact Us*

**ge.com**

If you are not satisfied with the service you receive from GE, contact us on our Website with all the details including your phone number, or write to: General Manager, Customer Relations  
GE Appliances, Appliance Park  
Louisville, KY 40225



### *Register Your Appliance*

**ge.com**

**Register your new appliance on-line—at your convenience!** Timely product registration will allow for enhanced communication and prompt service under the terms of your warranty, should the need arise. You may also mail in the pre-printed registration card included in the packing material.





# Spacemaker Lavadoras

**Instrucciones de seguridad** ... 2-4

**Instrucciones de operación**

Ajustes de control ..... 5  
Cómo cargar y usar la lavadora ..... 8, 9  
Etiquetas del cuidado de la tela ..... 10  
Funciones ..... 6, 7  
Panel de control ..... 5

**Instrucciones de instalación** ..... 11-16

Desembalaje de la lavadora ..... 13  
Dimensiones aproximadas ..... 12  
Instalación de la lavadora ..... 15, 16  
Piezas de repuesto ..... 16  
Preparación para la instalación de la lavadora ..... 11  
Requisitos de desagüe ..... 14  
Requisitos de suministro de agua ..... 14  
Requisitos eléctricos ..... 14  
Ubicación de la lavadora ..... 12

**Consejos para la solución de problemas** ..... 17-20

**Soporte al consumidor**

Garantía ..... 23  
Soporte al consumidor ..... 24

**Manual de propietario & Instrucciones de instalación**

WSSH300



Como socio de ENERGY STAR®, GE ha confirmado que este producto cumple las directrices de ENERGY STAR® relativas al rendimiento energético.

# INFORMACIÓN DE SEGURIDAD IMPORTANTE. LEA TODAS LAS INSTRUCCIONES ANTES DEL USO.

Seguridad

## ⚠ ¡ADVERTENCIA!

Para su seguridad, siga la información de este manual con el fin de minimizar el riesgo de incendio, explosión o descarga eléctrica, así como para evitar daños materiales, lesiones o la muerte.

Las instrucciones de este manual, así como el resto de la documentación que se incluye con la lavadora, no cubren todas las situaciones o estados posibles que pueden producirse. El usuario **DEBE** adoptar procedimientos correctos, seguros y prudentes al instalar, utilizar y realizar el mantenimiento de cualquier electrodoméstico.

Operación



## SEGURIDAD DEL CALENTADOR DE AGUA

En determinadas condiciones, en un calentador de agua que no se haya utilizado durante un mínimo de dos semanas se puede producir gas hidrógeno. El gas hidrógeno puede resultar explosivo en determinadas circunstancias.

Si el agua caliente no se ha utilizado por dos semanas o más, prevenga la posibilidad de sufrir daños o lesiones abriendo todos los grifos de agua caliente y dejándola correr durante varios minutos. Realice este proceso antes de utilizar cualquier electrodoméstico que se conecte al sistema de agua caliente. Este sencillo procedimiento le permitirá liberar todo el gas hidrógeno acumulado. Debido a que el gas es inflamable, no fume ni utilice ninguna llama o electrodoméstico durante el proceso.

Instrucciones  
de instalación

Solucionar problemas

Soporte al consumidor



## INSTALACIÓN CORRECTA

La lavadora se debe instalar y colocar correctamente de acuerdo con las instrucciones de instalación, antes de utilizarla.

- Instale o almacene la lavadora en un lugar donde no esté expuesta a temperaturas por debajo del punto de congelación o expuesta a la intemperie.
- Conecte correctamente a tierra la lavadora de conformidad con todos los códigos y ordenanzas regulatorias. Siga la información de Instrucciones de instalación.



## ZONA DE LAVADERO

- Mantenga las zonas debajo de los electrodomésticos y en torno a ellos sin materiales combustibles como pelusa, papel, trapos y productos químicos.
- No deje la puerta de la lavadora abierta. Si la puerta está abierta, puede hacer que los niños se cuelguen de ella o se introduzcan en la lavadora.
- Es necesario vigilar con atención a los niños si utilizan la lavadora o se encuentran en las proximidades. No deje que los niños jueguen sobre éste u otro electrodoméstico, con él o en su interior.

# INFORMACIÓN DE SEGURIDAD IMPORTANTE. LEA TODAS LAS INSTRUCCIONES ANTES DEL USO.

Seguridad



## AL UTILIZAR LA LAVADORA

Utilice este electrodoméstico sólo para el uso que se describe en este manual del propietario.

- No abra nunca la lavadora mientras esté en movimiento. Espere a que se detenga por completo para abrir la puerta.
- No mezcle blanqueadores clorados con amoníaco o ácidos como vinagre o desoxidantes. La mezcla de distintos productos químicos puede producir gases tóxicos que pueden causar la muerte.
- No lave ni seque prendas que se hayan limpiado, lavado, empapado o manchado con sustancias inflamables o explosivas (como cera, aceite, pintura, gasolina, desengrasantes, disolventes de limpieza en seco, queroseno, etc.) que puedan prenderse o explotar. No añada ninguna de estas sustancias al agua de lavado. No utilice ni coloque ninguna de estas sustancias en torno a la lavadora o la secadora durante el funcionamiento.
- El proceso de lavado puede reducir el tiempo previo a la inflamación de los tejidos. Para evitar este efecto, siga con atención las instrucciones de lavado y cuidado del fabricante de la prenda.
- Para minimizar la posibilidad de descarga eléctrica, desenchufe el electrodoméstico de la corriente o desconecte la lavadora en el panel de distribución de la vivienda quitando el fusible o apagando el interruptor antes de realizar cualquier tarea de mantenimiento o limpieza.  
**NOTA:** Presionar el botón **PAUSE NO** se desconecta la lavadora de la corriente.
- No intente en ningún caso utilizar la lavadora si está dañada, funciona incorrectamente, está parcialmente desmontada, le faltan piezas o algunas están rotas, incluidos el cable o el enchufe.
- No cierre la puerta bruscamente. No intente forzar la puerta para abrirla cuando esté bloqueada (el indicador DOOR LOCK está ENCENDIDO). Puede dañar la lavadora.
- La lavadora está equipada con un sistema de protección de sobrecargas eléctricas. El motor se detendrá si se recalienta. La lavadora se iniciará de nuevo automáticamente después de un período de enfriamiento de hasta 30 minutos si no se apaga manualmente durante ese tiempo.

Operación

Instrucciones de instalación

Solucionar problemas

SopORTE al consumidor



## CUANDO NO ESTÉ EN USO

- Cierre las llaves de paso para reducir la presión de las tuberías y las válvulas, y minimizar las fugas en caso de que se produzca una rotura o grieta. Compruebe el estado de las tuberías de toma de agua, ya que deben sustituirse cada 5 años.
- Antes de deshacerse de una lavadora o de desecharla, quite la puerta de la lavadora para evitar que los niños se escondan en su interior.
- No intente reparar ni sustituir ninguna pieza de este electrodoméstico, a menos que se recomiende de manera explícita en el manual del propietario o en instrucciones publicadas de uso y reparación que sean comprensibles y que pueda realizar usted.
- No manipule los controles.

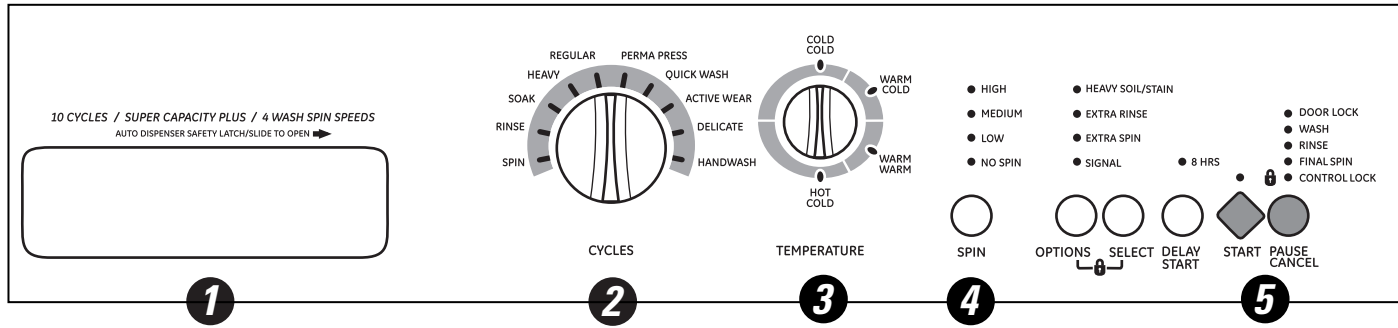


LEA DETENIDAMENTE Y SIGA LA INFORMACIÓN DE SEGURIDAD.

**GUARDE ESTAS INSTRUCCIONES**

# El panel de control de la lavadora.

Puede ubicar el número de modelo en la parte superior del interior de la abertura de la puerta.



## Ajustes de control

### 1 Despachador automático y pestillo de seguridad

El pestillo de seguridad se desliza hacia la derecha para abrir el cajón. (El pestillo se cierra automáticamente hacia la izquierda). Añada el detergente, lejía líquida y suavizante de telas en este cajón.

### 2 Ciclo de lavado

El ciclo de lavado controla la duración del proceso de lavado. El cuadro que aparece a continuación le ayudará a establecer el ajuste del ciclo de lavado según las cargas. Ajuste el ciclo de lavado deseado haciendo girar la perilla de ciclo.

<b>HANDWASH (LAVADO A MANO)</b>	Para prendas en las que se indique que se pueden lavar a mano con poca suciedad. La ropa se sacude con ligereza a fin de imitar la acción del lavado a mano.
<b>DELICATE (PRENDAS DELICADAS)</b>	Para lencería y telas de cuidado especial ligeramente a normalmente sucias. Proporciona una limpieza y un remojo suaves durante el lavado y el enjuagado.
<b>ACTIVE WEAR (PRENDAS DEPORTIVAS)</b>	Ropa utilizada para realizar ejercicios y deportes activos y ciertas prendas informales. Las telas incluyen acabados y fibras de última tecnología como spandex, telas elásticas y microfibras.
<b>QUICK WASH (LAVADO RÁPIDO)</b>	Para prendas ligeramente sucias y que necesita lavarse rápidamente.
<b>PERMA PRESS (PLANCHADO PERMANENTE)</b>	Para prendas en las que deseemos eliminar arrugas o conseguir un planchado permanente.
<b>HEAVY (PESADO)</b>	Para prendas de algodón, ropa de cama y prendas de trabajo y juegos muy sucios.

### 3 Temperatura

Seleccione la temperatura del agua para los ciclos de lavado y enjuague. Siga siempre las instrucciones de cuidado que aparecen en las etiquetas de las prendas.

### 4 Velocidad del centrifugado

La velocidad de centrifugado HIGH (Alta) es para prendas duraderas.

La velocidad de centrifugado MEDIUM (Media) es para prendas delicadas, tales como suéteres y lencería.

Cuando use la velocidad de centrifugado MEDIUM (Media), las prendas estarán menos secas que si utiliza la velocidad de centrifugado HIGH (Alta).

### 5 START/PAUSE CANCEL (Inicio/Pausar Cancelar)

Comience a lavar cerrando la puerta y presionando el botón **START**.

Para detener la lavadora, presione el botón **PAUSE CANCEL**. Presione el botón **START** para reiniciar.

- La lavadora no funcionará si la puerta está abierta.
- La puerta se cerrará automáticamente durante el ciclo de lavado completo.

## Funciones de la lavadora.

---

Seguridad

### Señal

Cuando la Señal esté en la posición ON (Encendido), emitirá un sonido al final del ciclo.

---

Operación

### Extra Rinse (Enjuagado extra) (disponible en algunos ciclos)

Use esta función cuando desee un enjuagado adicional para eliminar los restos de suciedad y detergente en cargas sucias.

---



● DOOR LOCK

### Luz indicadora del cierre de puerta

La luz indicadora está ENCIENDA y la puerta se cierra cuando se presiona el botón **START**. La luz se apaga (OFF) al final del ciclo.

---

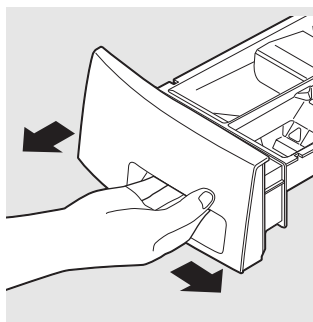
Instrucciones  
de instalación

### Seguro de control

Para evitar iniciar o detener accidentalmente la operación de la lavadora, presione **OPTIONS** (Opciones) y **SELECT** (Seleccionar) al mismo tiempo mientras el indicador del Seguro de control está encendido. Para desbloquear los controles, presione **OPTIONS** y **SELECT** otra vez.

Solucionar problemas

Soporte al consumidor



### Cajón dispensador de productos de lavado

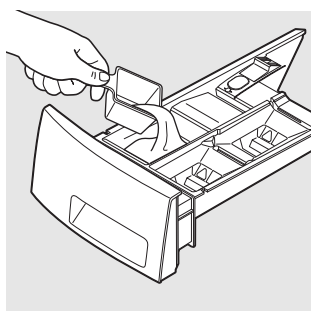
Abra lentamente el cajón dispensador deslizando el pestillo de seguridad hacia la derecha, después abra el cajón hasta que se detenga.

Tras añadir los productos de lavado, ciérre el cajón dispensador. Si cierra el cajón demasiado rápido, puede provocar que la lejía y el suavizante se administren antes de tiempo.

Es posible que observe agua en los compartimentos de lejía y suavizante. Este es el resultado de la acción de trasvase y forma parte del funcionamiento normal de la lavadora.



Si abre el cajón dispensador más de 1-1/2" (3.8 cm) cuando la lavadora está en funcionamiento, esta dejará de funcionar. La luz indicadora del SEGURO DE LA PUERTA (DOOR LOCK) se apagará y el seguro de la puerta se desactivará. Cierre lentamente el cajón y la lavadora automáticamente volverá a funcionar.



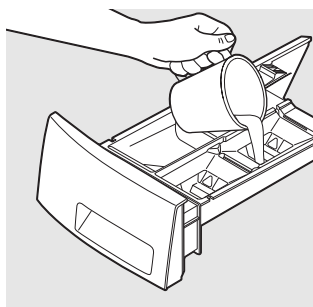
### Compartimento para el detergente

- Añada la medida de detergente al compartimento de detergente en el cajón dispensador.
- El detergente sale del dispensador al principio del ciclo. Puede usar detergente tanto en polvo como líquido.

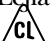
**NOTA:** El detergente líquido se escurrirá hasta el tambor de la lavadora a medida que se vierte.

- Se recomienda el uso de detergente que produzca poca espuma. Use la cantidad recomendada por el fabricante.

- Es posible que haya que ajustar el uso de detergente a la temperatura del agua, a la dureza de la misma, al tamaño y al nivel de suciedad de la carga. Evite utilizar demasiado detergente en la lavadora ya que puede producir demasiado jabón y dejar restos en las prendas.
- Puede añadirse lejía que no destiñe, acondicionador de agua, mejorador de detergente y productos con enzimas en el compartimento del detergente. Evite mezclar productos líquidos con productos en polvo.
- Si el cajón dispensador se abre durante la operación, la lavadora se apagará. Cierre lentamente el cajón dispensador y presione **START** para continuar con el ciclo.



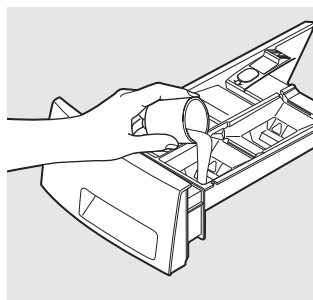
### Compartimento para lejía líquida

Si lo desea, mida la cantidad recomendada de lejía líquida, que no sobrepase 1/3 del recipiente (80 ml) y viértala en el compartimento central con la etiqueta "Liquid Bleach" (Lejía líquida) marcado con este símbolo .


Llene hasta la línea de suministro mínimo (MIN.) para cargas pequeñas.

No sobrepase la línea de llenado máximo. Un llenado excesivo puede hacer que la lejía se administre demasiado pronto y, como resultado, dañe las prendas.

**NOTA:** No utilice lejía en polvo en el depósito.



### Compartimento para el suavizante

Si lo desea, vierta la cantidad recomendada de suavizante líquido en el compartimento con la etiqueta "FABRIC SOFTENER" (Suavizante) y marcado con este símbolo .

Llene hasta la línea de suministro mínimo (MIN.) para cargas pequeñas. Llene hasta la línea de suministro máximo (MAX.) para cargas grandes.

Dilúyalo con agua hasta la línea de llenado máximo.

No sobrepase la línea de llenado máximo. Un llenado excesivo puede hacer que el suavizante se administre demasiado pronto y manche las prendas.

**NOTA:** No vierta directamente el suavizante sobre la carga.

# Cómo cargar y usar la lavadora.

Siga siempre las indicaciones de la etiqueta de cuidado del tejido del fabricante en el lavado y el planchado.

Seguridad



## Separación de cargas

Ordene la ropa sucia en cargas que se puedan lavar juntas.

Colores	Suciedad	Tejido	Pelusas
Ropa blanca	Mucha	Prendas delicadas	Prendas que sueltan pelusa
Ropa de colores claros	Normal	Prendas de fácil cuidado	Prendas a las que se adhiere la pelusa
Ropa de colores oscuros	Poca	Prendas resistentes de algodón	

- Combine las prendas grandes y pequeñas en cada carga. Cargue primero las prendas grandes. Las prendas grandes no deben representar más de la mitad de la carga total de lavado.
- No lave una sola prenda. Esto puede producir una carga desequilibrada. Añada una o dos prendas similares.

Operación



## Carga de la lavadora

Puede que el tambor de la lavadora esté totalmente lleno con prendas sueltas que se añadan. **No lave tejidos que contengan materiales inflamables (ceras, líquidos de limpieza, etc.).**

Para añadir prendas una vez que la lavadora haya empezado a funcionar, presione el botón **PAUSE CANCEL** y espere hasta que no haya agua en la ventanilla de la puerta. No fuerce la puerta asegurada para abrirla; ábrala con cuidado. Añada las prendas, cierre la puerta y presione el botón **START**.

Instrucciones de instalación



## Cuidado y limpieza

**Exterior:** Limpie inmediatamente cualquier vertido. Utilice un trapo húmedo. No aplique objetos afilados a la superficie.

**Interior:** Seque alrededor de la abertura de la puerta de la lavadora, la junta obturadora elástica y el cristal de la puerta. Estas zonas deben estar siempre limpias para garantizar un sellado hermético frente al agua.

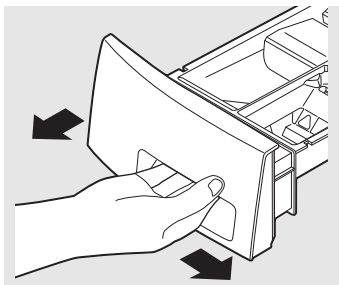
**Desplazamiento y almacenamiento:** Pida al técnico de servicio que elimine el agua de las tuberías y la bomba de desagüe. No guarde la lavadora en un lugar donde esté expuesta a las inclemencias climáticas. Al mover la lavadora, la cuba debe mantenerse estable utilizando los soportes y los pernos que se han extraído durante la instalación. Consulte las Instrucciones de instalación en este manual. Si estas piezas no están disponibles, se pueden solicitar a través del sitio Web [www.ge.com](http://www.ge.com) o llamando al 800.GE.CARES.

**Largas vacaciones:** Asegúrese de cortar el agua de todas las llaves de paso. Vacíe todas las tuberías de agua si la temperatura va a encontrarse por debajo del punto de congelación.

Solucionar problemas

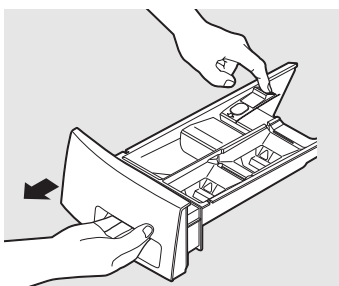
SopORTE al consumidor



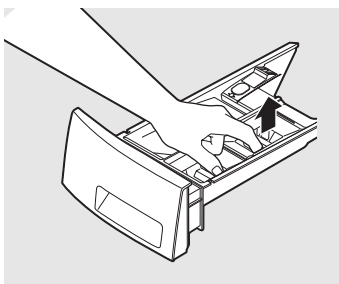


**Zona del cajón dispensador de productos de lavado:** El detergente y el suavizante pueden acumularse en el cajón dispensador de productos de lavado. Los residuos deben eliminarse una o dos veces al mes.

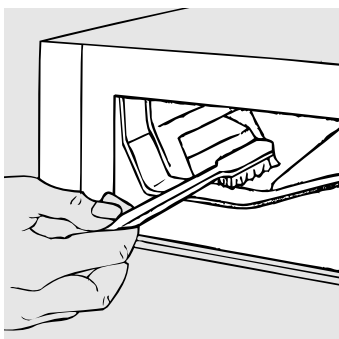
- Retire el cajón deslizando el pestillo de seguridad hacia la derecha y tirando del cajón hacia afuera hasta que se detenga. Busque la esquina posterior izquierda de la cavidad del cajón y presione firmemente en la lengüeta de seguridad, y saque el cajón.



Lock tab is visible only after drawer has been pulled out



- Extraiga los accesorios de los compartimentos para lejía y suavizante. Lave los accesorios y el cajón con agua caliente para eliminar los restos de productos de limpieza acumulados.



- Para limpiar la abertura del cajón, utilice un cepillo pequeño a fin de limpiar los huecos. Retire todos los restos de las partes superior e inferior del hueco.

**NOTA:** Una gran cantidad de residuos de suavizante para telas podría indicar una dilución inadecuada o bien que se requiere una limpieza más frecuente.

- Devuelva los accesorios para lejía y suavizante para telas a los compartimentos adecuados. Vuelva a colocar el accesorio, presionando la "X" para asegurarlo en su lugar. Vuelva a colocar el cajón dispensador y ejecute el ciclo QUICK WASH (lavado rápido) sin ninguna carga en el tambor.

## Funciones de la lavadora.



### Etiquetas de cuidado de tejido

A continuación se muestran “símbolos” de etiquetas de cuidado de tejido que afectan a las prendas que se lavan.

#### ETIQUETAS DE LAVADO

<i>Ciclo de lavado en máquina</i>						
	Normal	Planchado permanente/ resistente a arrugas	Suave/ delicado	Lavar a mano	No lave	No escurra
<i>Temperatura del agua</i>						
	Caliente (50°C/120°F)	Tibia (40°C/105°F)	Fría/fresca (30°C/85°F)			

#### ETIQUETAS DE SECADO

<i>Tumble dry / Secado con giro</i>						
	Dry / Seco	Normal	Permanent Press/ wrinkle resistant / Resistente a arrugas	Gentle/ delicate / Gentil/ Delicado	Do not tumble dry / No use secado con giro	Do not dry (used with) do not wash / No lavar
<i>Heat setting / Temperatura de secado</i>						
	High / Alto	Medium / Mediana	Low / Baja	No heat/air / Sin calor/Con aire		
<i>Special instructions / Instrucciones especiales</i>						
	Line dry/ hang to dry / Cuelgue para secar	Drip dry / Ropa que no se arruga	Dry flat / Extendido	In the shade / En la sombra		

#### ETIQUETAS DE LEJÍA

<i>Símbolos de blanqueador</i>			
	Cualquier blanqueador (cuando se necesita)	Sólo blanqueador sin cloro (cuando se necesita)	No use blanqueador

# Instrucciones de instalación

# Lavadora Spacemaker

Modelo WSSH300

Si tiene alguna pregunta, llame a 800.GE.CARES (1.800.432.2737) o visite nuestro sitio Web en: [ge.com](http://ge.com)

## ANTES DE COMENZAR

Lea detenidamente todas las instrucciones.

- **IMPORTANTE** – Guarde estas instrucciones para uso del inspector local.
- **IMPORTANTE** – Cumpla todos los códigos y ordenanzas regulatorias.
- **Nota al instalador** – Asegúrese de dejar estas instrucciones al usuario.
- **Nota al usuario** – Guarde estas instrucciones para consultas futuras.
- **Nivel de habilidad** – la instalación de este electrodoméstico requiere habilidades mecánicas y eléctricas básicas.
- **Duración** – de 1 a 3 horas
- La instalación adecuada es responsabilidad del instalador.
- La garantía no cubre fallas producidas por la instalación inadecuada del producto.

## PARA SU SEGURIDAD:

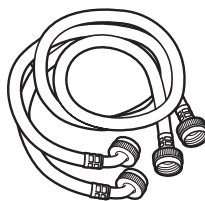
### ⚠ ADVERTENCIA

- Este electrodoméstico se debe conectar a tierra e instalar correctamente tal y como se describe en estas *Instrucciones de instalación*.
- No instale ni guarde este electrodoméstico en una zona en la que esté expuesto al agua o al exterior. Consulte la sección *Ubicación de la lavadora*.
- **NOTA:** Este electrodoméstico debe estar correctamente conectado a tierra y la corriente eléctrica de la lavadora debe cumplir los códigos y ordenanzas locales, así como la última edición del Código eléctrico nacional, ANSI/NFPA 70.

## HERRAMIENTAS NECESARIAS PARA LA INSTALACIÓN DE LA LAVADORA

- Destornillador Phillips
- Toma de corriente de 10 mm con trinquete
- Channel-lock adjustable pliers
- Carpenter's level

## PIEZAS INCLUIDAS



- Tuberías de agua (2)



- Abrazadera de cable



- Arandelas de goma (4)

# Instrucciones de instalación

## UBICACIÓN DE LA LAVADORA

### No instale la lavadora:

1. En un área expuesta a goteras o a las condiciones del exterior. La temperatura ambiente no debe ser nunca inferior a 60°F (15.6°C) para que la lavadora funcione correctamente.
2. En una zona en la que pueda entrar en contacto con cortinas u otras telas.
3. Sobre una alfombra. El suelo **DEBE** ser una superficie dura con una inclinación máxima de 1/2" por pie (1.27 cm por cada 30 cm). Para asegurarse de que la lavadora no vibre ni se mueva, es posible que tenga que reforzar el suelo.

### IMPORTANTE:

#### Distancias mínimas de separación para la instalación

- Cuando se instale en alcoba: costados, parte trasera, parte superior = 0" (0 cm)
- Cuando se instale en un armario: costados, parte trasera, parte superior = 0" (0 cm), parte delantera = 1" (2.54 cm)
- Aberturas de ventilación necesarias en la puerta del armario: 2 listones, cada uno de 60 pulgadas cuadradas (387 cm<sup>2</sup>), situados a 3" (7.6 cm) de las partes superior e inferior de la puerta

#### Instalación debajo de un mostrador

Si se desea instalar la lavadora debajo de un mostrador, se requiere un mostrador de tamaño a la medida (distancia de 36" hacia el suelo a la superficie inferior del mostrador). No se requiere una tapa de la lavadora especial.

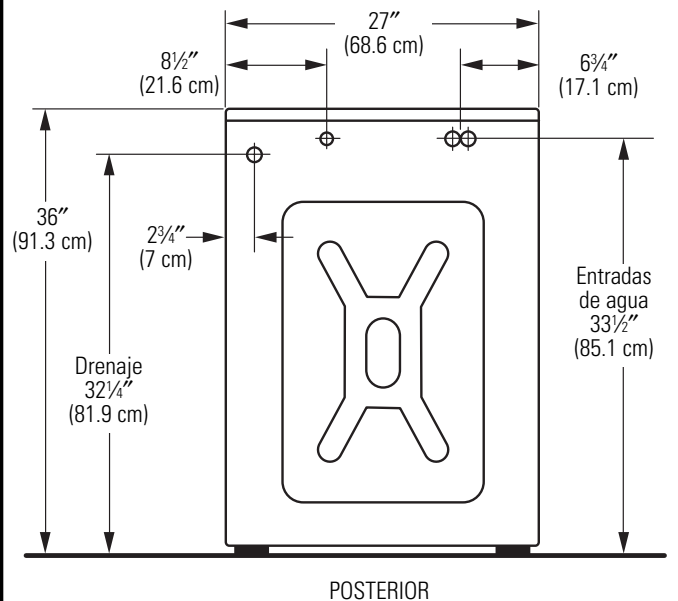
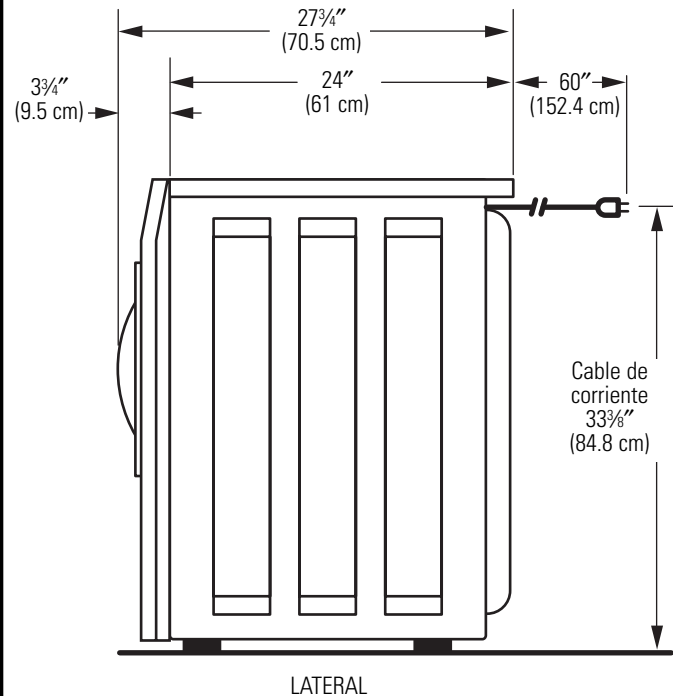
#### Instalación en casas rodantes

La instalación debe cumplir con la Norma para casas rodantes, ANSI A119.1 y la Ley nacional de normas de construcción y seguridad para casas rodantes de 1974 (PL93-383).

#### Instalación apilada

Si desea apilar su lavadora/secadora, **DEBE** emplear el Equipo de instalación apilada WE25X10020. Este equipo está disponible a través de su distribuidor de GE.

## DIMENSIONES APROXIMADAS

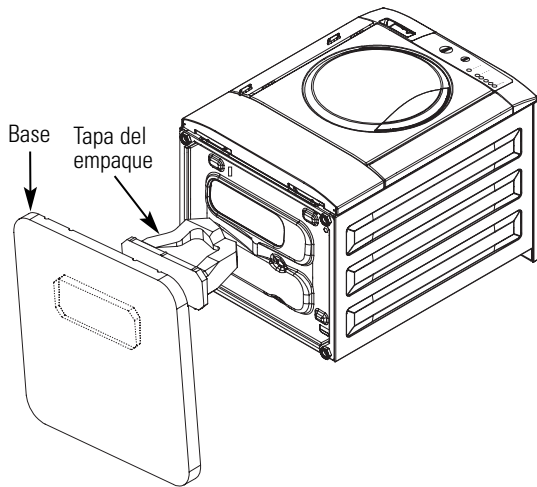


# Instrucciones de instalación

## CÓMO DESEMPACAR LA LAVADORA

**⚠ ADVERTENCIA:** Destruya la caja y las bolsas de plástico una vez que desempaque la lavadora. Los niños podrían usarlas para jugar. Las cajas cubiertas con alfombras, edredones o láminas de plástico podrían cerrarse herméticamente y provocar asfixia. Coloque todos los materiales en un bote de basura o bien colóquelos en un lugar inaccesible para los niños.

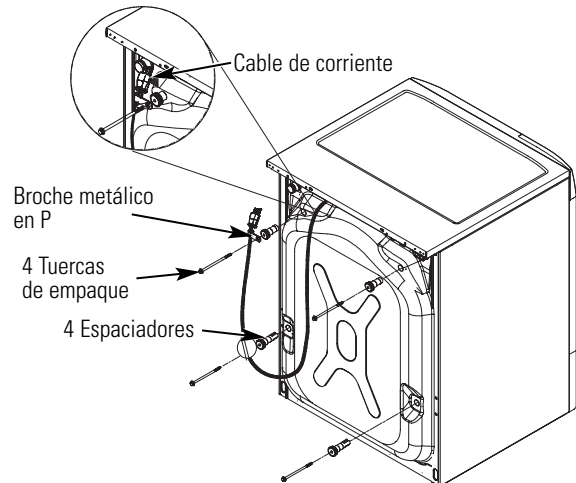
1. Corte la caja del empaque a lo largo de la línea punteada en la parte inferior. Retire la caja.
2. Con una alfombra, manta o pedazo de cartón para proteger el piso, coloque la lavadora descansando sobre su parte posterior.
3. Retire y conserve la espuma de poliestireno y la tapa del empaque.



4. Con cuidado devuelva la lavadora a una posición vertical.
5. Con cuidado mueva la lavadora a una distancia de 4 pies (122 cm) de su ubicación final.
6. Retire lo siguiente del panel posterior de la lavadora:
  - 4 pernos de empaque
  - 4 espaciadores
  - 1 broche metálico en P
7. Retire los 4 tapones que vienen dentro del paquete con material impreso ubicado dentro del tambor e instálelos en los agujeros vacíos al lado de los espaciadores del empaque.

**Conserve todos los pernos, arandelas, espaciadores, soportes, broches y seguros para uso posterior.**

**NOTA:** Si usted debe transportar la lavadora en el futuro, debe reinstalar los soportes y los pernos de empaque para evitar los daños. Conserve los soportes y los pernos de empaque en la bolsa de plástico.



# Instrucciones de instalación

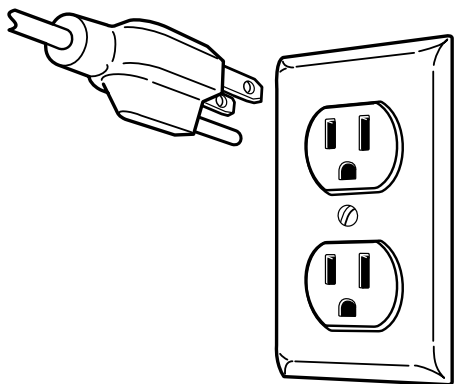
## REQUISITOS ELÉCTRICOS

Lea detenidamente todas las instrucciones.

**CIRCUITO** – circuito derivado de 15 amperios individual, correctamente polarizado y conectado a tierra, con interruptor o fusible de retardo de 15 amperios.

**ALIMENTACIÓN ELÉCTRICA** – corriente alterna de 60 Hz, monofásica, de 120 voltios, con conexión a tierra, bifilar.

**RECEPTÁCULO DE SALIDA** – receptáculo correctamente conectado a tierra con 3 clavijas, situado de forma que se pueda acceder al cable de alimentación cuando la lavadora esté instalada.



## REQUISITOS DE CONEXIÓN A TIERRA

**⚠ ADVERTENCIA:** La conexión incorrecta del conductor de tierra del equipo puede causar riesgos de descargas eléctricas. Consulte a un electricista calificado si tiene dudas acerca de la conexión a tierra correcta del electrodoméstico.

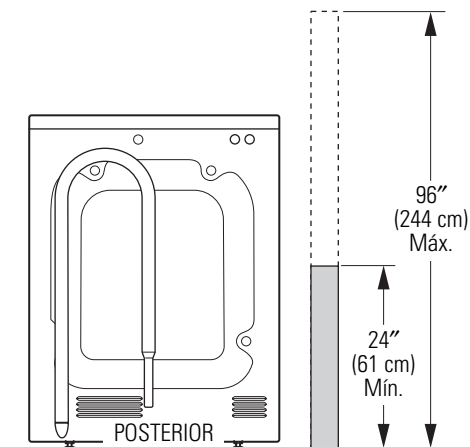
1. La lavadora **DEBE** estar conectada a tierra. En caso de un mal funcionamiento o avería, la conexión a tierra reducirá el riesgo de descargas eléctricas al proporcionar un recorrido de resistencia mínima a la corriente eléctrica.
2. Debido a que la lavadora está equipada con un cable de alimentación que tiene un conductor para conexión a tierra y una clavija de conexión a tierra, la clavija se **DEBE** enchufar en el receptáculo de hilo de cobre apropiado que se haya instalado y conectado a tierra correctamente de acuerdo con todos los códigos y ordenanzas locales o, a falta de normativa local, con el Código eléctrico nacional, ANSI/NFPA 70 (última edición). En caso de duda, llame a un electricista calificado. **NO** corte ni modifique la clavija de conexión a tierra del cable de alimentación. En situaciones en las que exista un receptáculo de dos ranuras, es responsabilidad del propietario que un electricista calificado lo sustituya por **un receptáculo apropiado de tipo de conexión a tierra** para tres clavijas.

## REQUISITOS DE SUMINISTRO DE AGUA

Las llaves de paso de agua caliente y fría **DEBEN** encontrarse a 42 pulgadas (107 cm) como máximo de la toma de agua de la lavadora. Las llaves de paso **DEBEN** ser de 3/4" (1.9 cm) y tipo jardín para que se puedan conectar las tuberías de entrada. La presión del agua **DEBE** estar entre 10 y 120 libras por pulgada cuadrada (presión desbalanceada máxima, caliente vs. frío, 10 psi.) La compañía de agua puede informarle de la presión del agua. La temperatura del agua caliente se debe establecer para suministrar agua a una temperatura de entre 120° y 140°F (48°– 60°C).

## REQUISITOS DE DESAGÜE

1. Desagüe capaz de eliminar 17 galones (64.3 l) por minuto.
2. Diámetro mínimo de tubería vertical de 1 1/4" (3.18 cm).
3. La altura de la tubería vertical desde el suelo debe ser:  
Altura mínima: 24" (61 cm)  
Altura máxima: 96" (244 cm)

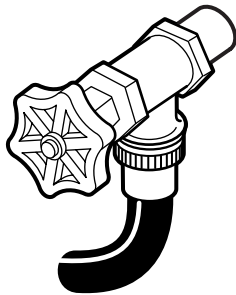
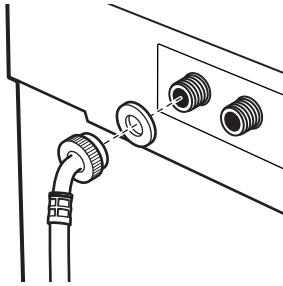


**NOTA:** La manguera de drenaje sujeta a la lavadora puede llegar hasta una tubería vertical de 90" (229 cm) de altura. Para tuberías verticales más altas, póngase en contacto con un distribuidor autorizado de piezas de repuesto. Si el drenaje es menor a 24" (61 cm), instale un equipo interruptor de sifones, disponible en la ferretería de su localidad.

# Instrucciones de instalación

## INSTALACIÓN DE LA LAVADORA

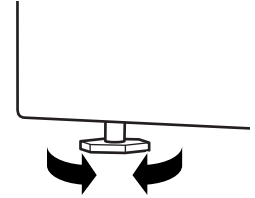
1. Deje correr un poco de agua de los grifos de agua caliente y fría para purgar las tuberías de agua y eliminar las partículas que puedan obstruir los filtros de la válvula de agua.
2. Saque de la bolsa de plástico las mangueras de entrada y las arandelas de goma e instale estas últimas en cada uno de los extremos de las mangueras de entrada.
3. (Extremo acodado de 90°)  
Conecte con cuidado la tubería de entrada marcada con HOT (Caliente) a la salida "H" exterior de la válvula de agua. Apriete con la mano y, a continuación, apriete 2/3 de vuelta con los alicates. Conecte con cuidado la otra tubería de entrada a la salida "C" interior de la válvula de agua. Apriete con la mano y, a continuación, apriete 2/3 de vuelta con los alicates. **No pase las roscas ni apriete excesivamente estas conexiones.**
4. Conecte los extremos de la tubería de entrada a las tomas de agua CALIENTE y FRÍA ajustándolos con la mano y, a continuación, apriete de nuevo 2/3 de vuelta con los alicates. Abra la llave de paso y compruebe que no hay ninguna fuga.



5. Coloque cuidadosamente la lavadora a su ubicación final. Levante ligeramente el frente de la lavadora y deslícela hacia atrás.

**NOTA:** No use el cajón dispensador o la puerta para levantar la lavadora.

6. Una vez situada la lavadora en su posición final, coloque un nivel en la parte superior de la misma (si está instalada debajo de un mostrador, la lavadora no debería vibrar).



Ajuste los soportes de nivelación delanteros hacia arriba o hacia abajo para asegurarse que la lavadora se apoya en una superficie sólida. Gire las contratuerzas de cada soporte hacia la base de la lavadora y apriételas con una llave.

**NOTA:** Mantenga la extensión de los soportes al mínimo para evitar una vibración excesiva. Cuanto más se extiendan los soportes, más vibrará la lavadora.

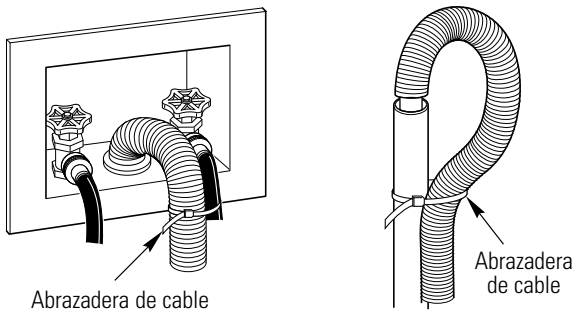
Si el suelo no está nivelado o está dañado, puede que sea necesario extender los soportes de nivelación traseros. Para instalaciones debajo de mostradores, debe ajustar las patas traseras retirando el panel frontal de servicio.

# Instrucciones de instalación

## INSTALACIÓN DE LA LAVADORA (cont.)

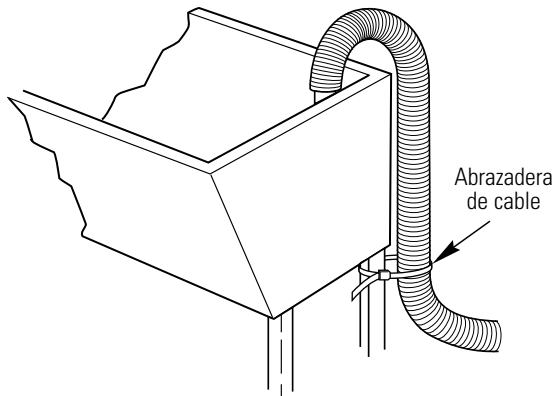
7. Forme una U en el extremo de la manguera de drenaje con la manguera apuntando hacia el drenaje. Coloque la tubería en una pila de lavar o tubería vertical y sujétela con la abrazadera de cable que se proporciona en el paquete adjunto.

**NOTA:** Si la tubería de desagüe se coloca en una tubería vertical que no tiene forma de U, se puede producir un efecto sifón. Debe haber un espacio de aire alrededor de la tubería de desagüe. Una tubería demasiado ajustada también puede producir un efecto de sifón.



Abrazadera de cable

Abrazadera de cable



Abrazadera de cable

8. Enchufe el cable de alimentación en una toma de corriente de conexión a tierra.

**NOTA:** Asegúrese de que la alimentación está cortada en un interruptor/caja de fusibles antes de enchufar el cable de alimentación a una toma de corriente.

9. Conecte la alimentación a un interruptor/caja de fusibles.
10. Lea el resto del Manual del propietario. Contiene información valiosa y útil que supondrá un ahorro de tiempo y dinero.
11. Antes de poner en funcionamiento la lavadora, asegúrese de comprobar lo siguiente:
- La alimentación está conectada.
  - La lavadora está enchufada.
  - Las llaves de paso están abiertas.
  - La lavadora está nivelada.
  - Las piezas de sujeción para el transporte se han quitado y guardado.
  - La tubería de desagüe se ha asegurado correctamente.
  - No existe ninguna fuga en la llave de paso, la tubería de desagüe ni la lavadora.
12. Ponga en funcionamiento la lavadora en un ciclo completo. Compruebe que no haya fugas de agua y que funcione correctamente.
13. Si la lavadora no funciona, revise la sección *Antes de llamar para solicitar servicio* antes de ponerse en contacto con el servicio de asistencia técnica.
14. Coloque las instrucciones en un lugar próximo a la lavadora para futuras consultas.

## PIEZAS DE REPUESTO

Si se necesitan piezas de repuesto para la lavadora, se pueden solicitar en Estados Unidos a través del sitio Web [ge.com](http://ge.com) o llamando a 800.GE.CARES.



## Antes de llamar para solicitar servicio...



Consejos para la solución de problemas  
¡Ahorre tiempo y dinero! Consulte primero las tablas de las páginas siguientes y quizás no necesite llamar al servicio.

AGUA	Causas posibles	Qué hacer
<b>Fugas de agua</b>	Las tuberías de toma de agua o la tubería de desagüe no se han conectado correctamente	<ul style="list-style-type: none"> <li>Asegúrese de que se han apretado correctamente las conexiones de las tuberías de la lavadora y las llaves de paso y que el extremo de la tubería de desagüe se ha introducido y fijado correctamente al desagüe.</li> </ul>
	Puede que la tubería de desagüe de la vivienda esté obstruida	<ul style="list-style-type: none"> <li>Compruebe las tuberías de la vivienda. Puede que sea necesario llamar a un plomero.</li> </ul>
	Presión de agua constante en las tuberías de toma de agua	<ul style="list-style-type: none"> <li>Apriete las tuberías a la altura de las llaves de paso y cierre el agua después de cada uso.</li> <li>Compruebe el estado de las tuberías de toma de agua; deben sustituirse cada 5 años.</li> </ul>
	Exceso de espuma	<ul style="list-style-type: none"> <li>Utilice menos detergente o un detergente menos espumoso.</li> </ul>
<b>Demasiada espuma</b>	Tipo de detergente	<ul style="list-style-type: none"> <li>Cambie a un detergente de alta eficacia y siga las instrucciones del paquete.</li> </ul>
	Agua muy blanda	<ul style="list-style-type: none"> <li>Pruebe utilizar menos detergente.</li> </ul>
<b>No se desagua</b>	La tubería de desagüe está torcida o no se ha conectado correctamente	<ul style="list-style-type: none"> <li>Enderece la tubería de desagüe y asegúrese de que la lavadora no está situada sobre la misma.</li> <li>La parte superior de la salida del desagüe debe estar a menos de 8 pies (2.5 m) del suelo.</li> </ul>
	Puede que la tubería de desagüe de la vivienda esté obstruida	<ul style="list-style-type: none"> <li>Compruebe las tuberías de la vivienda. Puede que sea necesario llamar a un plomero.</li> </ul>
<b>La temperatura del agua no está correcta</b>	El control no se ha fijado de manera correcta	<ul style="list-style-type: none"> <li>Verifique el control de temperatura del agua y ajuste.</li> </ul>
	El suministro de agua no está conectado correctamente	<ul style="list-style-type: none"> <li>Asegúrese de que las tuberías están conectadas a las tomas correctas.</li> </ul>
	Los filtros de la válvula de agua están obstruidos	<ul style="list-style-type: none"> <li>Cierre la llave de paso y quite las tuberías de conexión de agua de la parte trasera superior de la lavadora. Utilice un cepillo o un palillo de dientes para limpiar los filtros de la lavadora. Vuelva a conectar las tuberías y abra la llave de paso.</li> </ul>
	El calentador de agua de la vivienda no se ha ajustado correctamente	<ul style="list-style-type: none"> <li>Asegúrese de que el calentador de agua de la vivienda suministre agua a 120°–140°F (48°–60°C).</li> </ul>
<b>El agua no entra en la lavadora o entra lentamente</b>	El suministro de agua está cerrado	<ul style="list-style-type: none"> <li>Abra por completo las llaves de paso de agua fría y caliente.</li> </ul>

Seguridad

Operación

Instrucciones de instalación

Solucionar problemas

Soporte al consumidor

## Antes de llamar para solicitar servicio...

OPERACIÓN	Causas posibles	Qué hacer				
<b>Seguridad</b>	La lavadora se detiene durante el ciclo	La lavadora usualmente se detiene entre los diversos pasos de lavado				
	<b>Operación</b>	La lavadora no está en funcionamiento	<ul style="list-style-type: none"> <li>La lavadora está desconectada</li> <li>El suministro de agua está cerrado</li> <li>El interruptor/fusible se ha quemado/saltado</li> <li>Los controles no se han establecido correctamente</li> <li>La puerta está abierta</li> <li>El cajón dispensador está abierto</li> <li>El motor se ha recalentado</li> </ul>	<ul style="list-style-type: none"> <li>Asegúrese de que el cable esté enchufado de manera segura en un enchufe funcional.</li> <li>Abra por completo las llaves de paso de agua fría y caliente.</li> <li>Compruebe los interruptores/fusibles de la vivienda. Cambie los fusibles o restablezca el interruptor. La lavadora debe tener una toma individual.</li> <li>Verifique los controles y asegúrese de haber presionado los botones <b>START</b> o <b>DELAY START</b>.</li> <li>Cierre la puerta y presione el botón <b>START</b>.</li> <li>Cierre el cajón.</li> <li>El motor de la lavadora se detendrá si se recalienta. La lavadora se iniciará de nuevo automáticamente después de un período de enfriamiento de hasta 30 minutos (si no se ha apagado manualmente).</li> </ul>		
		<b>Instrucciones de instalación</b>	La lavadora no centrifuga	<ul style="list-style-type: none"> <li>La puerta de la lavadora está abierta</li> <li>El cajón dispensador está abierto</li> <li>La carga es muy reducida</li> </ul>	<ul style="list-style-type: none"> <li>Asegúrese de que la puerta esté cerrada.</li> <li>Cierre el cajón.</li> <li>Añada una o dos prendas similares para contribuir a equilibrar la carga.</li> </ul>	
			<b>Solucionar problemas</b>	<b>RUIDO</b>	<b>Causas posibles</b>	<b>Qué hacer</b>
				La lavadora hace ruido	La lavadora no está nivelada	Asegúrese de que la lavadora esté nivelada y se apoye firmemente sobre el suelo.
		La carga de la lavadora está desequilibrada			Presione el botón <b>PAUSE</b> para detener la lavadora, abra la puerta y redistribuya la carga uniformemente. Cierre la puerta y vuelva a iniciar el funcionamiento.	
Sonido agudo de un motor de propulsión a chorro	Esto es normal durante el ciclo de centrifugado.					
Sonido estridente u olor a goma quemada	La lavadora tiene sobrecarga. Detenga la lavadora y reduzca la carga.					
No se han quitado los pernos de transporte ni la espuma	Consulte las Instrucciones de instalación a fin de ver las indicaciones para quitar los pernos de transporte y la espuma.					
Vibración y ruidos producidos por objetos extraños en la cuba o bomba o cierres metálicos que chocan con la cuba	Compruebe que no hay objetos extraños en el tambor. Déle la vuelta a las prendas con cierres metálicos. Llame al servicio autorizado para inspeccionar la bomba.					
<b>SopORTE al consumidor</b>	<b>RENDIMIENTO</b>	<b>Causas posibles</b>	<b>Qué hacer</b>			
	Pelusas o restos en las prendas	Separación incorrecta	Separe las prendas que suelten pelusa de aquéllas a las que se adhiera.			
		El tiempo de lavado es demasiado largo	Seleccione un nivel de suciedad menor.			
		El detergente no se disuelve	Pruebe un detergente líquido.			
			Utilice una temperatura más elevada para el agua.			
Sobrecarga		Puede que el tambor de la lavadora esté totalmente lleno con prendas sueltas que se añadan.				
Uso incorrecto del suavizante	Consulte el bote de suavizante para ver las instrucciones y siga las indicaciones de uso del distribuidor.					

<b>RENDIMIENTO (cont.)</b>	<b>Causas posibles</b>	<b>Qué hacer</b>
<b>Las prendas están demasiado mojadas</b>	<b>La carga es muy reducida</b>	<ul style="list-style-type: none"> <li>• Añada una o dos prendas similares.</li> </ul>
	<b>La carga está desequilibrada</b>	<ul style="list-style-type: none"> <li>• Redistribuya la carga.</li> </ul>
<b>Formación de bolitas</b>	<b>Resultado de un deterioro normal en las prendas de polialgodón y tejidos voluminosos</b>	<ul style="list-style-type: none"> <li>• Mientras no se produzca por la lavadora, se puede hacer más lento el proceso de formación de bolitas lavando las prendas del revés.</li> </ul>
<b>Prendas oscurecidas o amarillentas</b>	<b>No hay suficiente detergente</b>	<ul style="list-style-type: none"> <li>• Utilice la cantidad adecuada de detergente.</li> </ul>
	<b>Agua dura</b>	<ul style="list-style-type: none"> <li>• Utilice agua lo más caliente posible para no dañar los tejidos.</li> <li>• Utilice un acondicionador de agua como, por ejemplo, el de la marca Calgon o instale un ablandador de agua.</li> </ul>
	<b>El agua no está suficientemente caliente</b>	<ul style="list-style-type: none"> <li>• Asegúrese de que el calentador suministre agua a 120°–140°F (48°–60°C).</li> </ul>
	<b>El detergente no se disuelve</b>	<ul style="list-style-type: none"> <li>• Pruebe un detergente líquido.</li> </ul>
	<b>Tinte</b>	<ul style="list-style-type: none"> <li>• Separe las prendas por colores. Si en la etiqueta de la prenda se indica <i>Lavar por separado</i>, puede ser indicio de tintes con poca fijación.</li> </ul>
<b>Manchas de color</b>	<b>Uso incorrecto del suavizante</b>	<ul style="list-style-type: none"> <li>• Consulte el bote de suavizante para ver las instrucciones y siga las indicaciones de uso del distribuidor.</li> </ul>
	<b>Tinte</b>	<ul style="list-style-type: none"> <li>• Separe las prendas blancas o de color claro de las prendas oscuras.</li> <li>• Saque inmediatamente la carga de la lavadora.</li> </ul>
<b>Arrugas</b>	<b>Separación incorrecta</b>	<ul style="list-style-type: none"> <li>• Evite mezclar prendas pesadas (como prendas de trabajo) con prendas delicadas (como blusas).</li> </ul>
	<b>Sobrecarga</b>	<ul style="list-style-type: none"> <li>• Cargue la lavadora de manera que haya suficiente espacio para que las prendas se muevan libremente.</li> </ul>
	<b>Ciclo de lavado incorrecto</b>	<ul style="list-style-type: none"> <li>• Combine la selección de ciclo con el tipo de tejido que va a lavar (especialmente para cargas de prendas de fácil cuidado).</li> </ul>
	<b>Lavado constante en agua demasiado caliente</b>	<ul style="list-style-type: none"> <li>• Lave las prendas en agua tibia o fría.</li> </ul>
<b>Enganchones, agujeros, rotos, rasgaduras o deterioro excesivo</b>	<b>Alfileres, broches, corchetes, botones en punta, hebillas de cinturones, cremalleras, y objetos puntiagudos olvidados en los bolsillos</b>	<ul style="list-style-type: none"> <li>• Abroche los corchetes, broches, botones y cremalleras.</li> <li>• Quite los objetos sueltos como alfileres, objetos en los bolsillos y botones en punta.</li> <li>• Vuelva del revés las prendas de punto (se enganchan fácilmente).</li> </ul>
	<b>Blanqueadores sin diluir</b>	<ul style="list-style-type: none"> <li>• No añada nunca lejía sin diluir para lavar ni deje que las prendas entren en contacto con lejía sin diluir. Siga las indicaciones de uso del distribuidor de lejía.</li> </ul>
	<b>Productos químicos como decolorante o líquidos de permanente para el solución</b>	<ul style="list-style-type: none"> <li>• Enjuague las prendas que puedan tener productos químicos antes de lavarlas.</li> </ul>

**Seguridad**

**Operación**

**Instrucciones de instalación**

**Solucionar problemas**

**Soporte al consumidor**

# Antes de llamar para solicitar servicio...

Seguridad

## Códigos de error

Si la lavadora para, un código de error destella y la señal hace un "bip" periódicamente, presione PAUSE/CANCEL. Consulte la Carta de código de error abajo para la causa y la solución posible. Si el Bloqueo de control está activado cuando se produce un Código de error, los controles se desbloquearán. Haga la corrección, seleccione un ciclo y presione START. Si el código de error destella otra vez y la señal continúa, contacte el servicio para la ayuda.

Operación

No. de señales sonoras, Error	Causas posibles	Qué hacer
<b>1, El agua no entra</b>	El abastecimiento de agua al hogar se interrumpe	• Compruebe para ver si el agua fluye adecuadamente de otros grifos en el hogar; espere para restauración del servicio.
	La presión del agua es demasiado baja	• Evite el uso de agua en otras áreas del hogar al hacer el lavadero.
	El agua no puede ser girada o el grifo no puede ser abierto completamente	• Abra completamente los grifos de suministro a la lavadora.
	Se enroscan las mangueras o el tubo de desagüe está debajo de la altura mínima de 24"	• Enderece las mangueras. Levante la altura de la curva en tubo de drenaje a un mínimo de 24".

Instrucciones de instalación

<b>1, Fugas del agua</b>	Las conexiones de las mangueras son flojas	• Apriete las conexiones de las mangueras de entrada en los grifos y la lavadora.
	La tubería de desagüe de la casa esté obstruida	• Limpie el tubería de desagüe de la casa.
	Exceso de espuma	• Utilice un detergente de eficacia alta en la cantidad recomendada en la etiqueta.

<b>2, El agua no drena</b>	Se enrosca la manguera de drenaje o el tubo de desagüe está obstruida	• Enderece la manguera y limpie la tubería de desagüe.
----------------------------	---	--

<b>3, Tambor sobrellenado</b>	Falta de la válvula de entrada, del interruptor de presión o del tablero de control	• No abra la puerta. Seleccione desagüe/centrifugado para quitar el agua. Reinicie el ciclo.
-------------------------------	---	--

<b>4, La puerta está abierta</b>	La lavadora no funcionará si la puerta está abierta	• Cierre la puerta de la lavadora.
----------------------------------	---	------------------------------------

<b>5, El motor se ha recalentado</b>	El motor de la lavadora se detendrá si se recalienta	• Espere por 30 minutos para que el motor se refresque.
--------------------------------------	--	---

<b>7, El agua fría no entra en la lavadora</b>	La manguera de agua fría está conectada con el grifo incorrecto	• Conecte la manguera con el grifo de agua fría y con la entrada de agua fría de la lavadora.
	El grifo de agua fría no se gira	• Asegúrese de que el grifo de agua fría está abierto completamente.

<b>15, Exceso de espuma</b>	Un detergente de la eficacia alta no fue utilizado	• Utilice solamente un detergente de la eficacia alta. Siga la recomendación del fabricante para la cantidad.
	Demasiado detergente fue agregado	• La cantidad puede necesitar ser ajustado según la temperatura del agua, dureza del agua, tamaño de la carga y nivel del suciedad.

<b>15, El agua caliente no entra</b>	La manguera de agua caliente esta conectada con el grifo incorrecto	• Conecte la manguera de agua caliente con el grifo de agua caliente y la entrada de agua caliente de la lavadora.
	El grifo de agua caliente no se gira	• Asegúrese de que el grifo de agua caliente está abierto completamente.

SopORTE al consumidor

<b>Seguridad</b>	<b>Operación</b>	<b>Instrucciones de instalación</b>	<b>Solucionar problemas</b>	<b>Soporte al consumidor</b>
------------------	------------------	-------------------------------------	-----------------------------	------------------------------

**Notas.**

---

<b>Soporte al consumidor</b>	<b>Solucionar problemas</b>	<b>Instrucciones de instalación</b>	<b>Operación</b>	<b>Seguridad</b>
------------------------------	-----------------------------	-------------------------------------	------------------	------------------

# Garantía de la lavadora GE.



Todos los servicios de garantía se ofrecen a través de nuestros centros de asistencia técnica o un técnico autorizado de Customer Care®. Para programar servicio de asistencia técnica, en línea y las 24 horas, visite la página [ge.com](http://ge.com) o llame al 800.GE.CARES (1.800.432.2737). Cuando llame para solicitar servicio, por favor tenga a mano el número de serie y el número de modelo.

Engrape el recibo aquí.  
Se necesita el comprobante con la fecha de compra original para que la garantía cubra los servicios.

## Por el período de:

## Reemplazaremos:

### Un año

A partir de la fecha de adquisición original

Cualquier pieza de la lavadora que falle debido a un defecto en los materiales o la fabricación. Durante este **garantía limitada de un año**, GE correrá además, **sin cargo alguno**, con todos los gastos de mano de obra y reparación relacionados para sustituir la pieza defectuosa.

## Lo que no está cubierto:

- Visitas de servicio a domicilio para mostrarle cómo utilizar el producto.
- Instalación, envío o mantenimiento incorrectos.
- Fallas del producto por manipulación, uso incorrecto o distinto al destinado o previsto comercialmente.
- Daños tras la entrega.
- Sustitución de los fusibles de la vivienda o restablecimiento de los interruptores.
- Daños causados por accidentes, incendios, inundaciones o fenómenos naturales.
- Daños emergentes o fortuitos causados por posibles defectos del electrodoméstico.
- Producto no accesible para facilitar el servicio requerido.

**EXCLUSIÓN DE GARANTÍAS IMPLÍCITAS—Su único y exclusivo derecho es la reparación del producto, tal y como se indica en esta Garantía limitada. Cualquier garantía implícita, incluyendo las garantías implícitas de comerciabilidad o adecuación para un fin determinado, están limitadas a un año o el período de tiempo más breve permitido por la ley.**

Esta garantía se extiende al comprador original y cualquier comprador posterior de productos comprados para uso residencial dentro des Estados Unidos. Si el producto está situado en un área que no dispone de servicio por parte de un proveedor de servicio autorizado de GE, podría tener que hacerse cargo de los costes de envío o bien podría solicitársele que lleve el producto a una centro de servicio de GE autorizado para realizar la reparación. En Alaska, la garantía excluye el costo de envío o las visitas de servicio a su casa.

Algunos estados no permiten la exclusión o las limitaciones de daños incidentales o consecuenciales. Esta garantía da derechos legales específicos, y usted podría tener otros derechos que variarán de estado a estado. Para saber cuáles son sus derechos legales, consulte a la oficina de asuntos del consumidor local o la oficina del Procurador (Attorney General) en su localidad.

**Garante: General Electric Company. Louisville, KY 40225**

Seguridad

Operación

Instrucciones de instalación

Solucionar problemas

Soporte al consumidor

## ***Soporte al consumidor.***

---



### *Página Web de GE Appliances*

***ge.com***

¿Tiene alguna pregunta sobre su electrodoméstico? ¡Pruebe la página Web de GE Appliances 24 horas al día, cualquier día del año! Para mayor conveniencia y servicio más rápido, ya puede descargar los Manuales de los Propietarios, pedir piezas o incluso hacer una cita en línea para que vengan a realizar una reparación.



### *Solicite una reparación*

***ge.com***

El servicio de expertos GE está a tan sólo un paso de su puerta. ¡Entre en línea y solicite su reparación cuando le venga bien 24 horas al día cualquier día del año! O llame al 800.GE.CARES (800.432.2737) durante horas normales de oficina.



### *Real Life Design Studio (Estudio de diseño para la vida real)*

***ge.com***

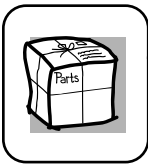
GE apoya el concepto de Diseño Universal—productos, servicios y ambientes que pueden usar gente de todas las edades, tamaños y capacidades. Reconocemos la necesidad de diseñar para una gran gama de habilidades y dificultades físicas y mentales. Para más detalles sobre las aplicaciones de GE Diseño Universal, incluyendo ideas de diseño para la cocina para personas con discapacidades, mire nuestra página Web hoy mismo. Para personas con dificultades auditivas, favor de llamar al 800.TDD.GEAC (800.833.4322).



### *Garantías ampliadas*

***ge.com***

Compre una garantía ampliada y obtenga detalles sobre descuentos especiales disponibles mientras su garantía está aún activa. Puede comprarla en línea en cualquier momento, o llamar al 800.626.2224 durante horas normales de oficina. GE Consumer Home Services estará aún ahí cuando su garantía termine.



### *Piezas y accesorios*

***ge.com***

Aquellos individuos con la calificación necesaria para reparar sus propios electrodomésticos pueden pedir que se les manden las piezas o accesorios directamente a sus hogares (aceptamos las tarjetas VISA, MasterCard y Discover). Haga su pedido en línea hoy, 24 horas cada día o llamar por teléfono al 800.626.2002 durante horas normales de oficina.

***Las instrucciones descritas en este manual cubren los procedimientos a seguir por cualquier usuario. Cualquier otra reparación debería, por regla general, referirse a personal calificado autorizado. Debe ejercerse precaución ya que las reparaciones incorrectas pueden causar condiciones de funcionamiento inseguras.***



### *Póngase en contacto con nosotros*

***ge.com***

Si no está satisfecho con el servicio que recibe de GE, póngase en contacto con nosotros en nuestra página Web indicando todos los detalles así como su número de teléfono o escribanos a:

General Manager, Customer Relations  
GE Appliances, Appliance Park  
Louisville, KY 40225



### *Registre su electrodoméstico*

***ge.com***

¡Registre su nuevo electrodoméstico en línea—cuando usted prefiera! El registrar su producto a tiempo le proporcionará, si surgiera la necesidad, una mejor comunicación y un servicio más rápido bajo los términos de su garantía. También puede enviar su tarjeta de registro pre-impresa que se incluye en el material de embalaje.