

# GTWP1000M GE® 3.4 cu. ft. capacity PermaTuf® II smooth basket

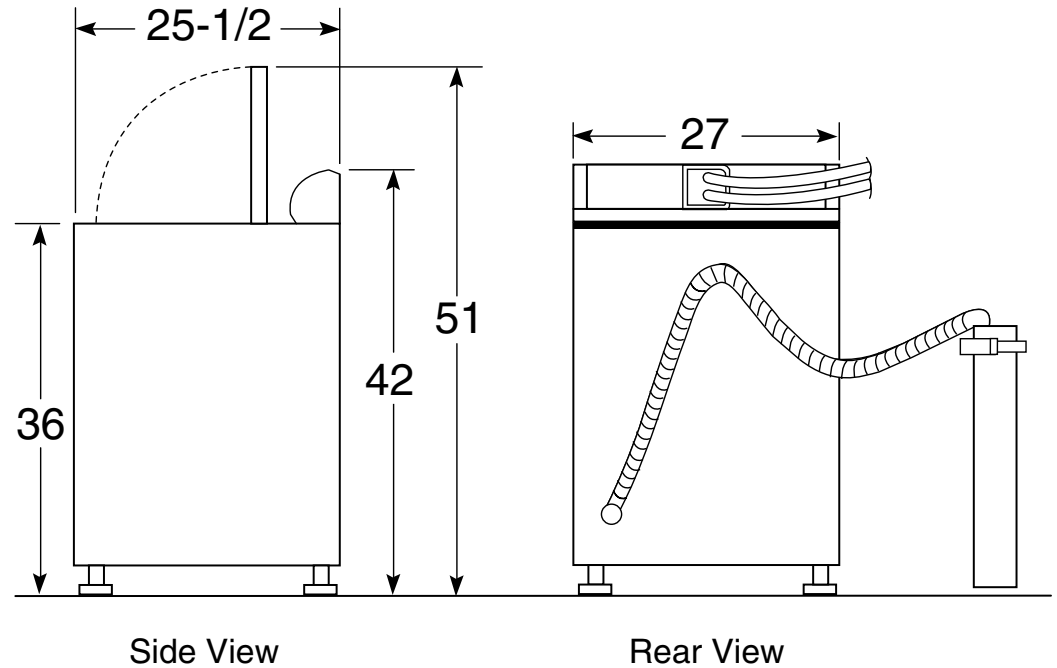
## Dimensions and Installation Information (in inches)

**Circuit Requirements:** An individual, properly-grounded branch circuit, with a three-prong grounding-type receptacle, protected by a 15 or 20 amp circuit breaker or a time-delay fuse, is required.

**Electrical Rating:** 115V, 60Hz, 10A

**Note:** Washer wall outlet must be located within 36" of service code entry. Wall outlet must not be located behind dryer.

**Installation Information:** Before installing, consult installation instructions packed with product for current dimensional data.



For answers to your Monogram®, GE Profile™ or GE® appliance questions, visit our website at [ge.com](http://ge.com) or call GE Answer Center® service, 800.626.2000.

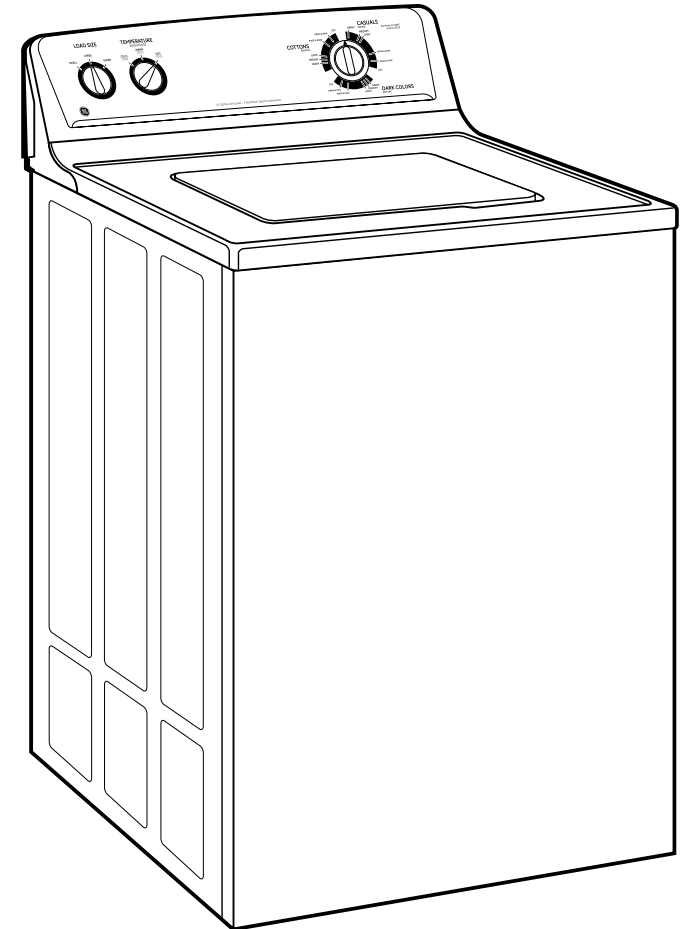


# GTWP1000M

## GE® 3.4 cu. ft. capacity PermaTuf® II smooth basket

### Features and Benefits

- GentlePower™ agitator - Enjoy advanced cleaning results while reducing normal wear and tear
- Rotary electromechanical controls - Easy-to-use controls make it simple to set cycles
- 2 wash/spin speed combinations - Speeds are matched to fabric type for great clothes care
- 12 wash cycles - Multiple cycles are designed to specifically handle various fabrics and soils
- Bleach dispenser - Automatically mixes bleach with wash water for proper dilution and bleaching action
- 3 water levels - Allows user to match the water level to each load of wash
- 3 wash/rinse temperatures - A variety of temperatures provide great wash results and longer fabric life
- Auto balance suspension system - Handles the heaviest loads without banging or walking, to help reduce noise
- 630 RPM spin speed - Fast speeds remove more water during the spin cycle to minimize drying time
- Model GTWP1000MWW - White on white



imagination at work