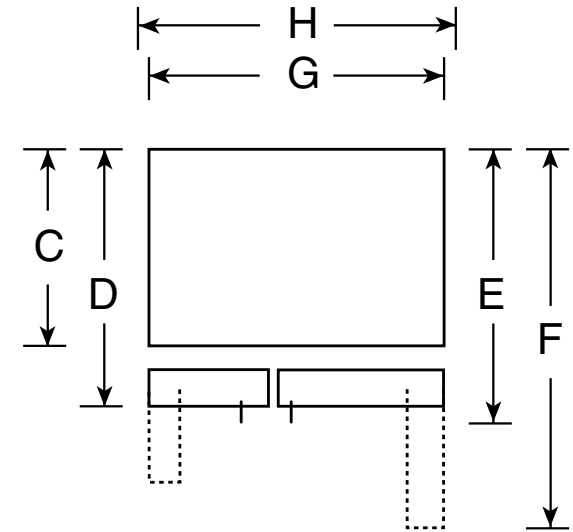
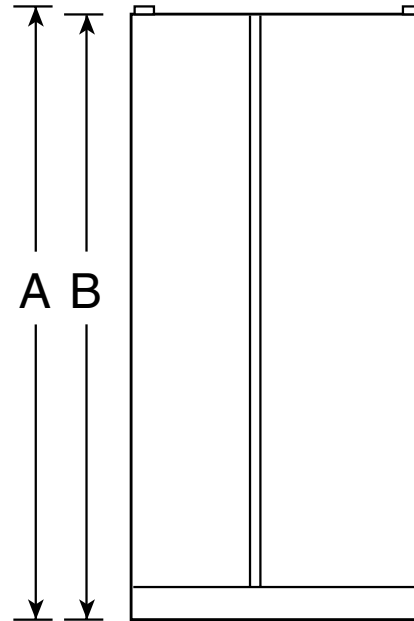


GSS20GEW

GE® 19.9 Cu. Ft. Side-By-Side Refrigerator with Dispenser

Dimensions and Installation Information (in inches)

Overall Dimensions	Height to top of hinge (in.) A	67-1/2
	Height to top of case (in.) B	66-1/2
	Case depth without door (in.) C†	28
	Case depth less door handle (in.) D†	31-1/4
	Case depth with door handle (in.) E†	33-9/16
	Depth with fresh food door open 90° (in.) F†	47-3/8
	Width (in.) G	31-1/2
	Width with door open 90° inc. door handle (in.) H	33-15/16
Air Clearances	Each side (in.)	1/8
	Top (in.)	1
	Back (in.)	1



Top View

†Water hook-up fits in back air clearance when calculating installation depth.

If installed against a wall, allow clearance of 14-3/16" on freezer side to remove bin.

Clearance required to remove fresh food full-size pan without disassembling is 18-15/16".

Allow additional space for any necessary leveling adjustments.

For answers to your Monogram,® GE Profile™ or GE® appliance questions, visit our website at ge.com or call GE Answer Center® service, 800.626.2000.



imagination at work



Listed by
Underwriters
Laboratories



Specification Revised 8/10

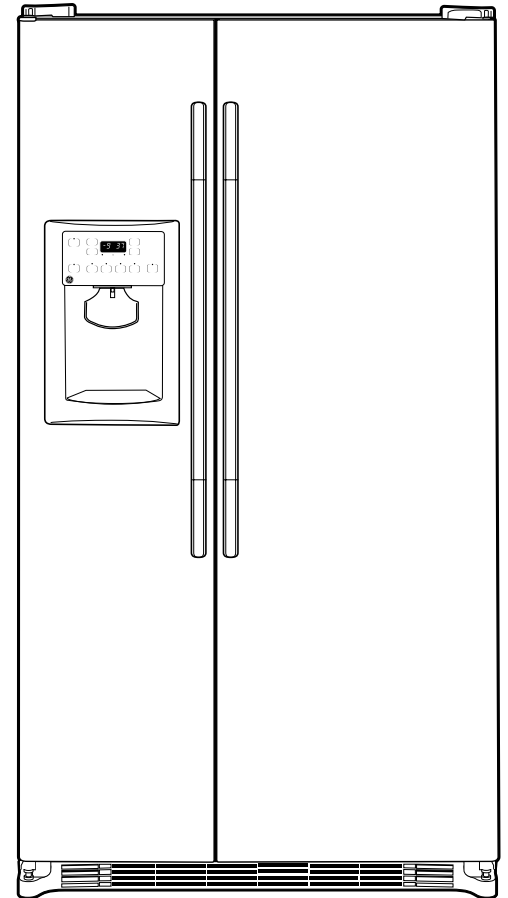
310281

GSS20GEW

GE® 19.9 Cu. Ft. Side-By-Side Refrigerator with Dispenser

Features and Benefits

- ClimateGuard System - Monitors temperatures and adjusts cooling to help maintain freshness
- External temperature controls with child lock - Controls are easy to set while a child lock helps provide additional peace of mind
- Sealed crisper drawers - Keep fruits and vegetables tasting fresh and delicious
- Gallon door bins - Deep bins handle large containers in the door for more fresh food space
- Adjustable glass shelves - Shelves adjust to handle tall items and create additional space
- FrostGuard™ technology - Controlled defrosting keeps frozen foods from feeling the burn
- AutoEnergy saver - Senses door openings and adjusts refrigeration operation cycles accordingly
- NeverClean™ condenser - Sealed compartment keeps coils clean and simplifies maintenance
- Deluxe quiet design - Significantly reduces unnecessary operating noise in the kitchen
- Model GSS20GEWWW - White on white
- Model GSS20GEWCC - Bisque on bisque
- Model GSS20GEWBB - Black on black



imagination at work