

GTH18HBT

GE® ENERGY STAR® 18.2 Cu. Ft. Top-Freezer Refrigerator

Dimensions and Installation Information

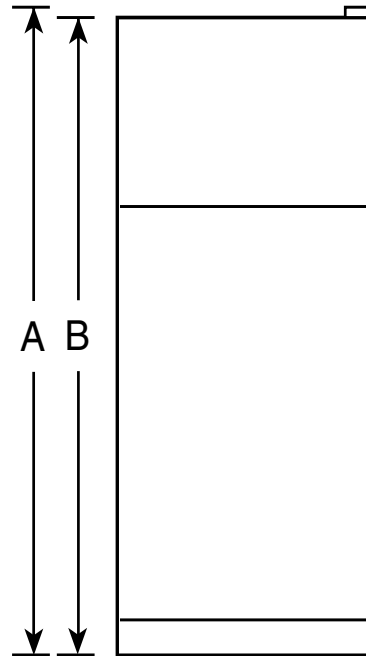
Overall Dimensions	Height to top of hinge (in.) A	67-3/8
	Height to top of case (in.) B	66-7/8*
	Case depth without door (in.) C	26-3/4
	Case depth less door handle (in.) D	30-1/2
	Case depth with door handle (in.) E	32-3/8
	Depth with fresh food door open 90° (in.) F	56-3/8
	Width (in.) G	28
	Width with door open 90° less door handle (in.) H	30-3/4
Air Clearances	Each side (in.)	3/4
	Top (in.)	1
	Back (in.)	1

*Height to mid-freezer (in.): 57

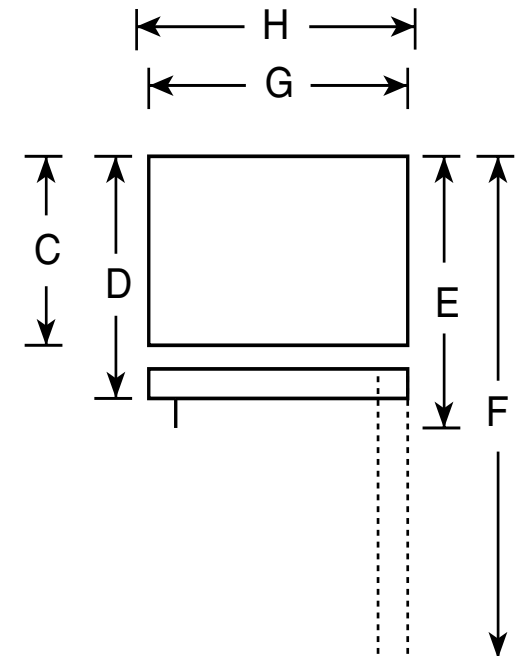
For answers to your Monogram®, GE Profile™ or GE® appliance questions, visit our website at geappliances.com or call GE Answer Center® service, 800.626.2000.



Front View



Top View



Above illustration intended for dimensional reference only. Refer to photography for actual product appearance.

Dimension and installation information are shown in inches.



Specification Revised 8/10

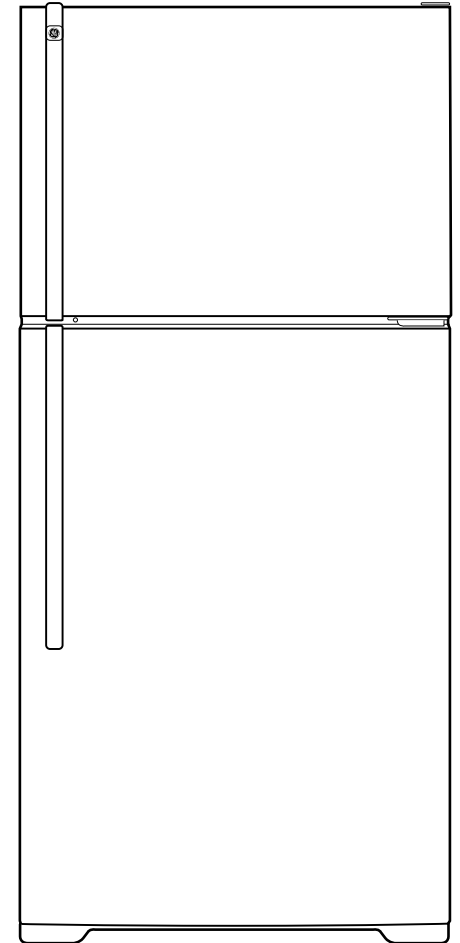
310353

GTH18HBT

GE® ENERGY STAR® 18.2 Cu. Ft. Top-Freezer Refrigerator

Features and Benefits

- Adjustable glass shelves - Shelves adjust to handle tall items and create additional space
- Upfront temperature controls - Easy-to-use control simplifies temperature setting
- Crisper drawers - Provides the ideal environment for storing your fruits and vegetables
- Gallon door storage - Milk and larger items are easily accommodated in the door
- Can storage door shelf - Holds soft drink cans in the door for easy selection and quick access
- Wire freezer shelves - Sturdy shelves provide additional storage for frozen foods
- NeverClean™ condenser - Sealed compartment keeps coils clean and simplifies maintenance
- Deluxe quiet design - Designed to reduce unnecessary sounds in the kitchen
- Model GTH18HBTWW - White



imagination at work



As an ENERGY STAR® partner, GE has determined that this product meets the ENERGY STAR guidelines for energy efficiency.

Specification Revised 8/10

310353