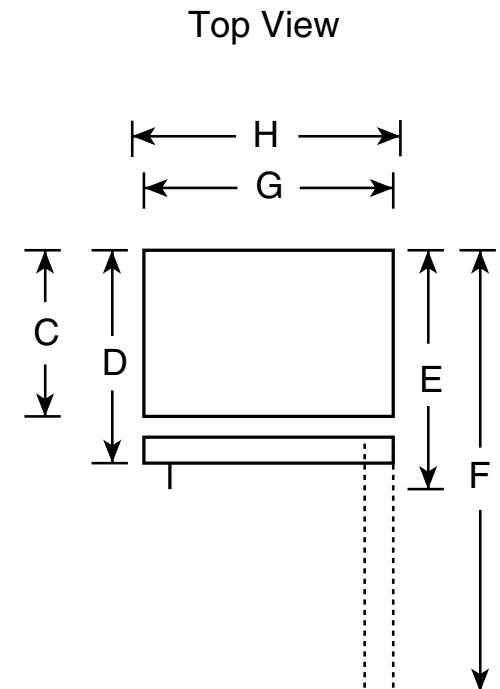
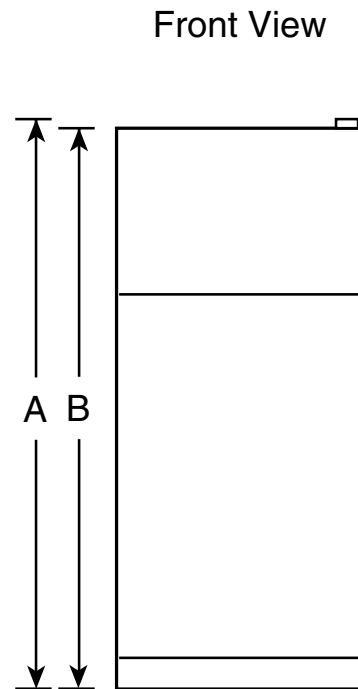


GTH18ECT

GE® ENERGY STAR® 18.1 Cu. Ft. Top-Freezer Refrigerator with Icemaker

Dimensions and Installation Information (in inches)

| | | |
|--------------------|--|--------|
| Overall Dimensions | Height to top of hinge (in.) A | 67-3/8 |
| | Height to top of case (in.) B | 66-7/8 |
| | Height to mid-freezer (in.) | 57 |
| | Case depth without door (in.) C | 26-3/4 |
| | Case depth less door handle (in.) D | 30-1/2 |
| | Case depth with door handle (in.) E | 32-3/8 |
| | Depth with fresh food door open 90° (in.) F | 56-3/8 |
| | Width (in.) G | 28 |
| | Width with door open 90° with door handle (in.) H | 30-3/4 |
| Air Clearances | Each side (in.) | 3/4 |
| | Top (in.) | 1 |
| | Back (in.) | 1 |



Note: All Top-Freezer No-Frost Right-Hand Refrigerator Doors:
As you face the front of the refrigerator, the handle is on your left and the hinges are on your right.

Note: Top-Freezer No-Frost Left-Hand Refrigerator Doors:
As you face the front of the refrigerator, the handle is on your right and the hinges are on your left.

For answers to your Monogram®, GE Profile™ or GE® appliance questions, visit our website at ge.com or call GE Answer Center® service, 800.626.2000.



Total volume and shelf area are calculated by the Association of Home Appliance Manufacturers' standards.



Listed by Underwriters Laboratories



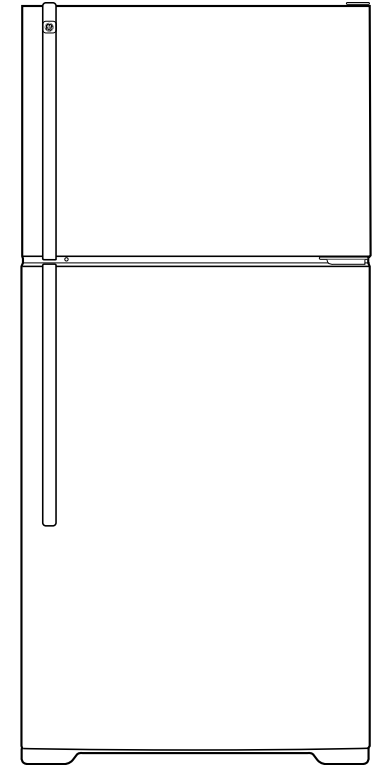
As an ENERGY STAR® partner, GE has determined that this product meets the ENERGY STAR guidelines for energy efficiency.

GTH18ECT

GE® ENERGY STAR® 18.1 Cu. Ft. Top-Freezer Refrigerator with Icemaker

Features and Benefits

- Factory-installed icemaker - Refrigerator comes ready to automatically create ice
- Upfront temperature controls - Easy-to-use control simplifies temperature setting
- Adjustable glass shelves - Shelves adjust to handle tall items and create additional space
- Crisper drawers - Provides the ideal environment for storing your fruits and vegetables
- Gallon door storage - Milk and larger items are easily accommodated in the door
- Can storage door shelf - Holds soft drink cans in the door for easy selection and quick access
- Wire freezer shelves - Sturdy shelves provide additional storage for frozen foods
- NeverClean™ condenser - Sealed compartment keeps coils clean and simplifies maintenance
- Deluxe quiet design - Significantly reduces unnecessary operating noise in the kitchen
- Model GTH18ECTWW - White
- Model GTH18ECTBB- Black



imagination at work