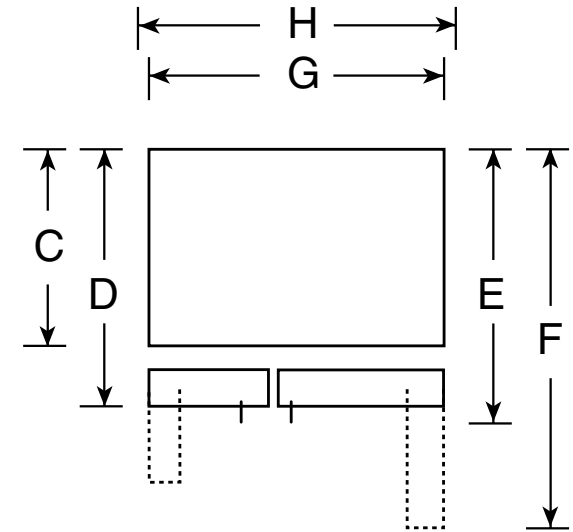
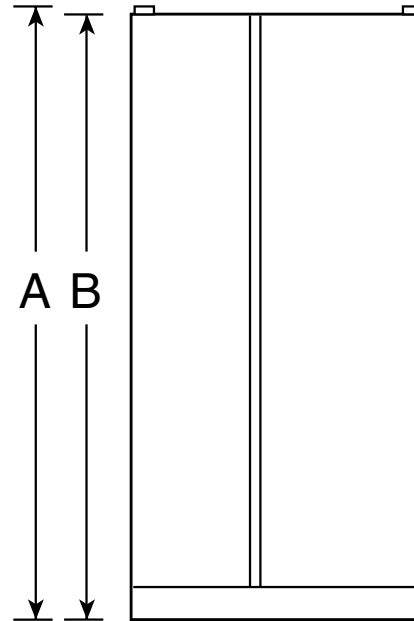


CSHS6UGZ

GE Café™ ENERGY STAR® 25.7 Cu. Ft. Side-By-Side Refrigerator with Dispenser

Dimensions and Installation Information (in inches)

Overall Dimensions	Height to top of hinge (in.) A	69-1/4
	Height to top of case (in.) B	68-3/4
	Case depth without door (in.) C†	28
	Case depth less door handle (in.) D†	32-1/4
	Case depth with door handle (in.) E†	34-3/4
	Depth with fresh food door open 90° (in.) F†	50-1/8
	Width (in.) G	35-7/8
	Width with door open 90° inc. door handle (in.) H	41-1/4
Air Clearances	Each side (in.)	1/8
	Top (in.)	1
	Back (in.)	1



Top View

†Water hook-up fits in back air clearance when calculating installation depth.

If installed against a wall, allow clearance of 14-3/16" on freezer side to remove bin.

Clearance required to remove fresh food full-size pan without disassembling is 18-15/16".

Allow additional space for any necessary leveling adjustments.

For answers to your Monogram,® GE Profile™ or GE® appliance questions, visit our website at geappliances.com or call GE Answer Center® service, 800.626.2000.



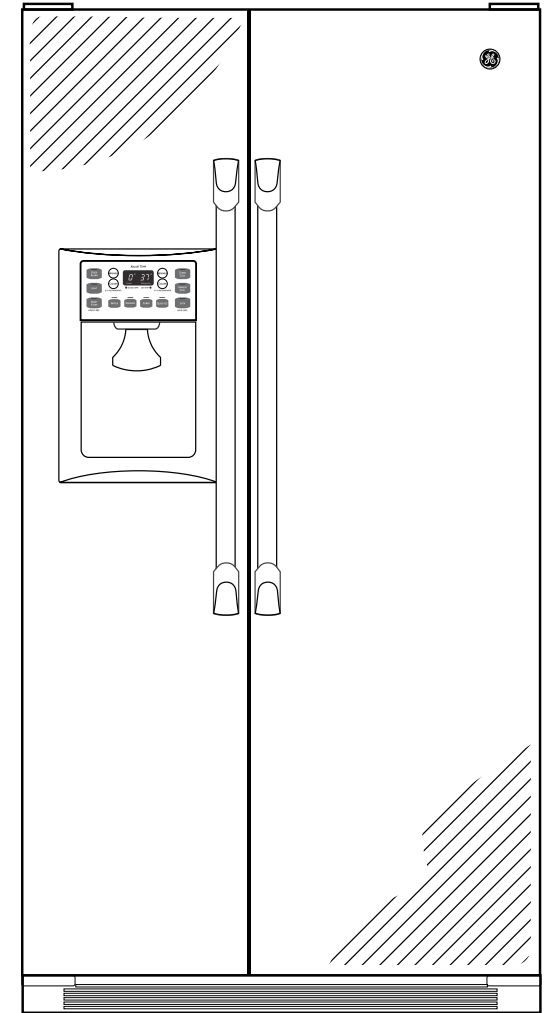
As an ENERGY STAR® partner, GE has determined that this product meets the ENERGY STAR guidelines for energy efficiency.

CSHS6UGZ

GE Café™ ENERGY STAR® 25.7 Cu. Ft. Side-By-Side Refrigerator with Dispenser

Features and Benefits

- Stainless steel exterior - Stainless steel adds elegance to any kitchen décor
- ClimateKeeper™ system - Electronic controls, multiple electronic sensors and a multi-flow air system help provide even cooling
- GE Café™ stainless steel handles with stainless sides - Smooth design complements the sophisticated appearance GE Café™ appliances
- External controls with actual-temperature display and UltraFlow100 - See the exact temperature and dispense 100 ounces of filtered water per minute
- ExpressChill™ - Chill your favorite cans, bottles and 2-liters in minutes, not hours
- Slide 'n Store™ freezer baskets - Full-extension baskets slide well beyond the door for easy access to all your frozen favorites
- Quick Ice™ setting - Speed up your icemaker to keep up with your life
- TurboCool™ setting - Restores proper temperature to the refrigerator after frequent door openings
- Arctica® icemaker - Holds up to 10 lbs of ice, so there's enough for all occasions
- Tilt-out freezer door bins - Even when bins are filled to capacity, items are easy to remove
- Integrated shelf support system - Strong shelf supports add a contemporary look
- Adjustable ClearLook™ door bins - Store gallon containers with ease in the door and free up valuable shelf space
- In-the-door beverage rack - Beverages are easy to grab when you're on the go
- Model CSHS6UGZSS - Stainless steel



imagination at work



As an ENERGY STAR® partner, GE has determined that this product meets the ENERGY STAR guidelines for energy efficiency.