

Installation instructions

Freestanding range

Instructions d'installation

Cuiseur indépendant

OR24SDMBGX model

US CA



WARNING

- ALL RANGES CAN TIP
- INJURY TO PERSON COULD RESULT
- INSTALL ANTI-TIP DEVICE PACKED WITH RANGE
- SEE INSTALLATION INSTRUCTIONS

WARNING: IF THE INFORMATION IN THIS MANUAL IS NOT FOLLOWED EXACTLY, A FIRE OR EXPLOSION MAY RESULT CAUSING PROPERTY DAMAGE, PERSONAL INJURY, OR

- ✓ Do not store or use gasoline or other flammable vapors and liquids in the vicinity of this or any other appliance.
- ✓ **WHAT TO DO IF YOU SMELL GAS:**
 - Do not try to light any appliance.
 - Do not touch any electrical switch; do not use any phone in your building.
 - Immediately call your gas supplier from a neighbor's phone. Follow the gas supplier's instructions.
 - If you cannot reach your gas supplier, call the fire department.
- ✓ Installation and service must be performed by a qualified installer, service agency, or the gas supplier.

This appliance is designed and manufactured solely for the cooking of domestic (household) food and is not suitable for any non-domestic application and therefore should not be used in a commercial environment.

The appliance guarantee will be void if the appliance is used within a non-domestic environment i.e. a semi-commercial, commercial or communal environment.

DATA PLATE

CONVERSION LABEL

IMPORTANT - PLEASE READ AND FOLLOW

- ✓ Before beginning, please read these instructions completely and carefully.
- ✓ Do not remove permanently affixed labels, warnings, or plates from the product. This may void the warranty.
- ✓ Please observe all local and national codes and ordinances.
- ✓ Please ensure that this product is properly grounded.
- ✓ The electrical plug should always be accessible.
- ✓ **The installer should leave these instructions with the consumer who should retain for local inspector's use and for future reference.**



Installation must conform with local codes or in the absence of codes, the National Fuel Gas Code ANSIZ223.1 - latest edition. Electrical installation must be in accordance with the National Electrical Code, ANSI/NFPA70 - latest edition and/or local codes. IN CANADA: Installation must be in accordance with the current CAN/CGA-B149.1 National Gas Installation Code or CAN/CGA-B149.2, Propane Installation Code and/or local codes. Electrical installation must be in accordance with the current CSA C22.1 Canadian Electrical Codes Part 1 and/or local codes.

INSTALLATION IN MANUFACTURED (MOBILE) HOME: The installation must conform with the Manufactured Home Construction and Safety Standard, Title 24 CFR, Part 3280 [formerly the Federal Standard for Mobile Home Construction and Safety, Title 24, HUD (Part 280)] or, when such standard is not applicable, the Standard for Manufactured Home Installations, ANSI/NCSBCS A225.1, or with local codes where applicable.

INSTALLATION IN RECREATIONAL PARK TRAILERS: The installation must conform with state or other codes or, in the absence of such codes, with the Standard for Recreational Park Trailers, ANSI A119.5.

Installation of any gas-fired equipment should be made by a licensed plumber. A manual gas shut-off valve must be installed in the gas supply line ahead of the appliance in the gas stream for safety and ease of service.

If an external electrical source is utilized, the appliance, when installed, must be electrically grounded in accordance with local codes or, in the absence of local codes, with the national Electrical Code, ANSI/NFPA 70.

**This range is supplied with a protective film on steel and aluminium parts.
This film must be removed before installing/using the appliance.**

FOR INSTALLER ONLY

THIS RANGE IS FOR RESIDENTIAL USE ONLY

INSTALLATION INSTRUCTIONS

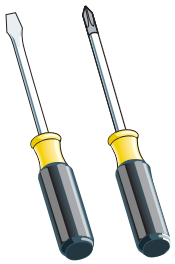
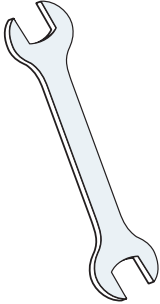
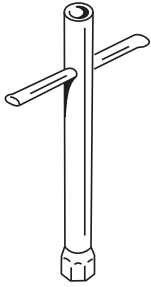

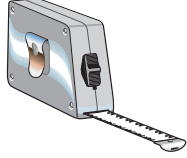
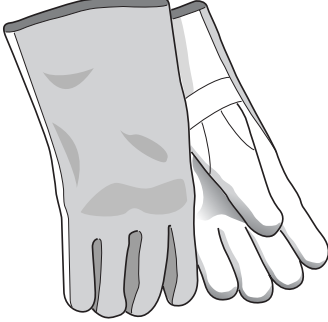

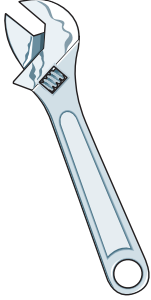
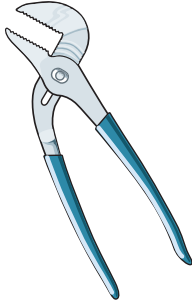
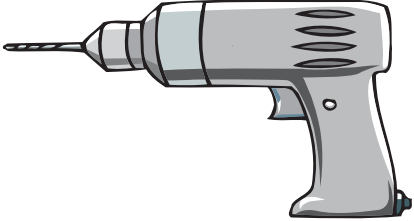
WARNING!

THIS APPLIANCE HAS TO BE INSTALLED BY A QUALIFIED INSTALLER.

Improper installation, adjustment, alteration, services, or maintenance can cause injury or property damage. Consult a qualified installer, service agent, or the gas supplier.

IMPORTANT: The use of suitable protective clothing/gloves is recommended when handling, installing of this appliance.

TOOLS NEEDED FOR INSTALLATION (NOT SUPPLIED WITH THE APPLIANCE)

 <p>Screwdriver</p>	 <p>2 - Wrench</p>	 <p>T-handle wrench</p>	 <p>Pencil</p>	 <p>Tape measure</p>
 <p>Suitable protective gloves</p>	 <p>Hammer</p>	 <p>Adjustable wrench</p>	 <p>Adjustable pliers</p>	 <p>Drill</p>

GENERAL INFORMATION

1. Installation must conform with local codes or, in the absence of local codes, with the **National Fuel Gas Code, ANSI Z223.1-Latest Edition.**
2. Installation in manufactured (mobile) home: installation must conform with the **Manufactured Home Construction and Safety Standard, Title 24 CFR, Part 3280 [formerly the Federal Standard for Mobile Home Construction and Safety, Title 24, HUD (Part 280)]** or, when such standard is not applicable, the **Standard for Manufactured Home Installations, ANSI/NCSBCS A225.1**, or with local codes where applicable.
3. Installation in **Recreational Park Trailers**: installation must conform with state or other codes or, in the absence of such codes, with the **Standard for Recreational Park Trailers, ANSI A119.5.**



WARNING!!

4. **This appliance shall not be used for space heating. This information is based on safety considerations.**
5. All openings in the wall behind the appliance and in the floor under the appliance shall be sealed.
6. Keep appliance area clear and free from combustible materials, gasoline, and other flammable vapors.
7. Do not obstruct the flow of combustion and ventilation air.
8. Disconnect the electrical supply to the appliance before servicing.
9. When removing appliance for cleaning and/or service;
 - A. Shut off gas at main supply.
 - B. Disconnect AC power supply.
 - C. Disconnect gas line to the inlet pipe.
 - D. Carefully remove the range by pulling outward.
CAUTION: Range is heavy; use care in handling.
10. **Electrical Requirement**
Electrical installation should comply with national and local codes.
11. **Air Supply and Ventilation**
The installer must refer to local/national codes.
12. **Gas Manifold Pressure**
Natural gas - 4.0" W.C.P.
LP/Propane - 11.0" W.C.P.
13. The misuse of oven door (e.g. stepping, sitting, or leaning on them) can result in potential hazards and/or injuries.
14. When installing or removing the range for service, a rolling lift jack should be used. Do not push against any of the edges of the range in an attempt to slide it into or out of the installation. Pushing or pulling a range (rather than using a lift jack) also increases the possibility of bending the leg spindles or the internal coupling connectors.



WARNING!!

ELECTRICAL GROUNDING INSTRUCTIONS

The range must be electrically grounded in accordance with local codes or, in the absence of local codes, with the **National Electrical Code, ANSI/NFPA No. 70-latest edition.** Installation should be made by a licensed electrician.

FOR PERSONAL SAFETY, THIS APPLIANCE MUST BE PROPERLY GROUNDED.

If an external electrical source is utilized, the installation must be electrically grounded in accordance with local codes or, in the absence of local codes, with the national Electrical Code, ANSI/NFPA 70.

This appliance is equipped with a three-prong grounding plug for your protection against shock hazard and should be plugged directly into a properly grounded socket.

Do not under any circumstances cut or remove the third (ground) prong from the power plug.

REPLACEMENT PARTS

Only authorized replacement parts may be used in performing service on the range. Replacement parts are available from factory authorized parts distributors. Contact the nearest parts distributor in your area.

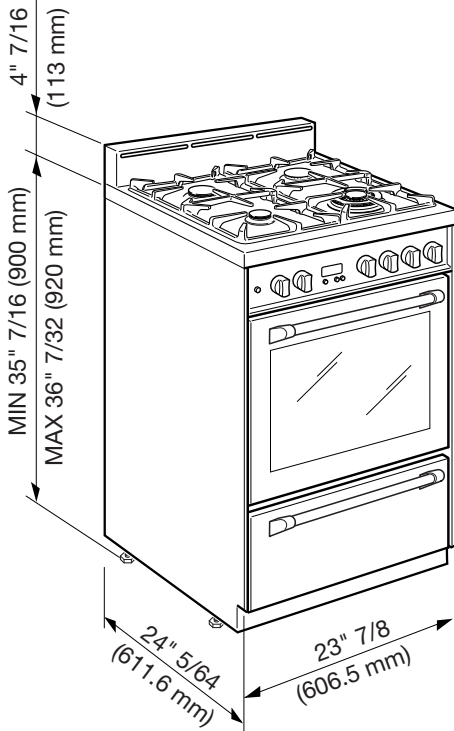


Fig. 1.1

PROXIMITY TO SIDE CABINETS

1. This range may be installed directly adjacent to existing 36" (914 mm) high base cabinets.

Range dimensions:

- width: 23" 7/8 (606.5 mm)
- depth: 24" 5/64 (611.6 mm)
- height (without backguard): MIN 35" 7/16 (900 mm) - MAX 36" 7/32 (920 mm)
- backguard (height): 4" 7/16 (113 mm)

Gas line opening:

Wall - 5" 57/64 (150 mm) from the floor; 11" 15/16 (303 mm) from the rear left side of the range.

Grounded outlet: the electric cord with 3-prong ground plug has a length of 72" (1830 mm). Grounded outlet should be located 5" 57/64 (150 mm) from the floor and 11" 15/16 (303 mm) from the rear right side of the range.

2. The range CANNOT be installed directly adjacent to sidewalls, tall cabinets, tall appliances, or other side vertical surfaces above 36" (914 mm) high.

There must be a minimum of 3" (76 mm) side clearance from the range to such combustible surfaces TO THE LEFT above the 36" (914 mm) high countertop; or there must be a minimum of 11" 13/16 (300 mm) side clearance from the range to such combustible surfaces TO THE RIGHT above the 36" (914 mm) high countertop.

IMPORTANT: One side (left or right) above the 36" (914 mm) high countertop must always be kept clear.

3. The maximum upper cabinet depth recommended is 13" (330 mm). Wall cabinet above the range must be a minimum of 30" (762 mm) above the countertop for a width of minimum 24" (609.6 mm): it has to be centred with the range. Side wall cabinets above the range must be a minimum of 18" (457 mm) above the countertop.

GAS AND ELECTRIC CONNECTION

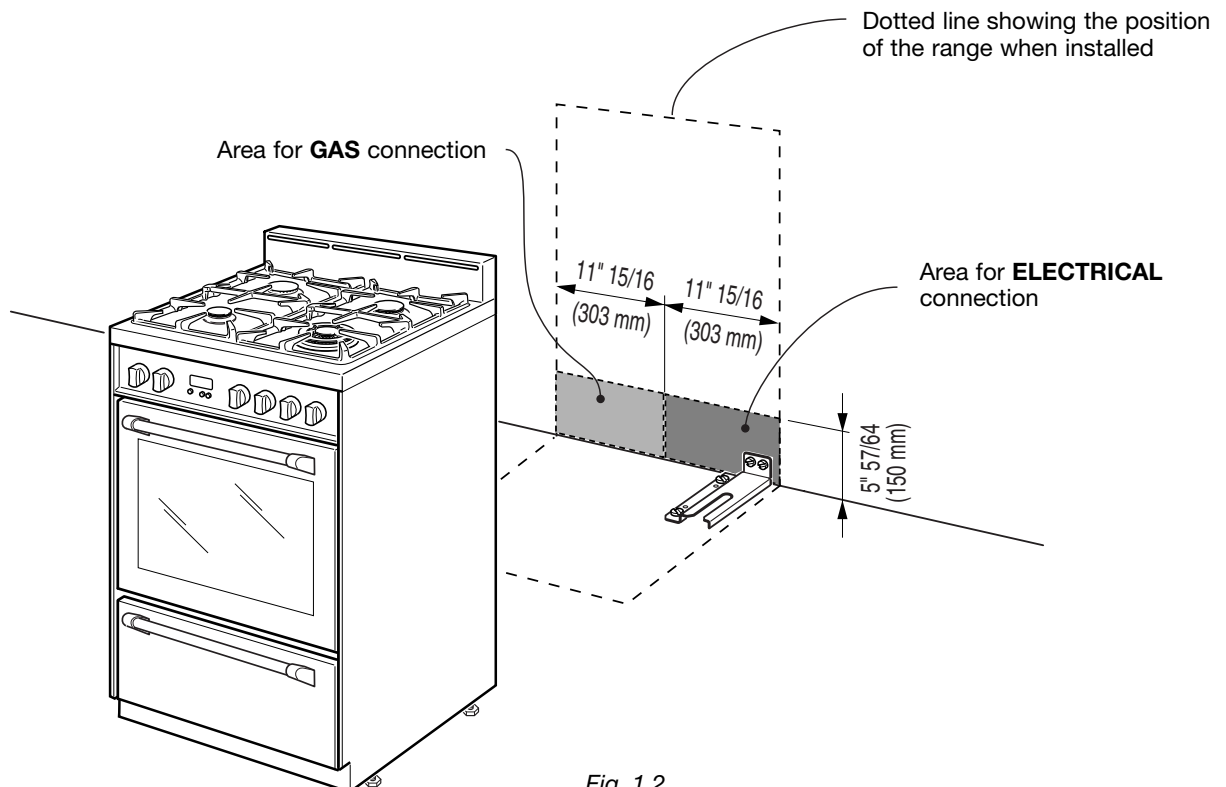


Fig. 1.2

PROXIMITY TO SIDE CABINETS

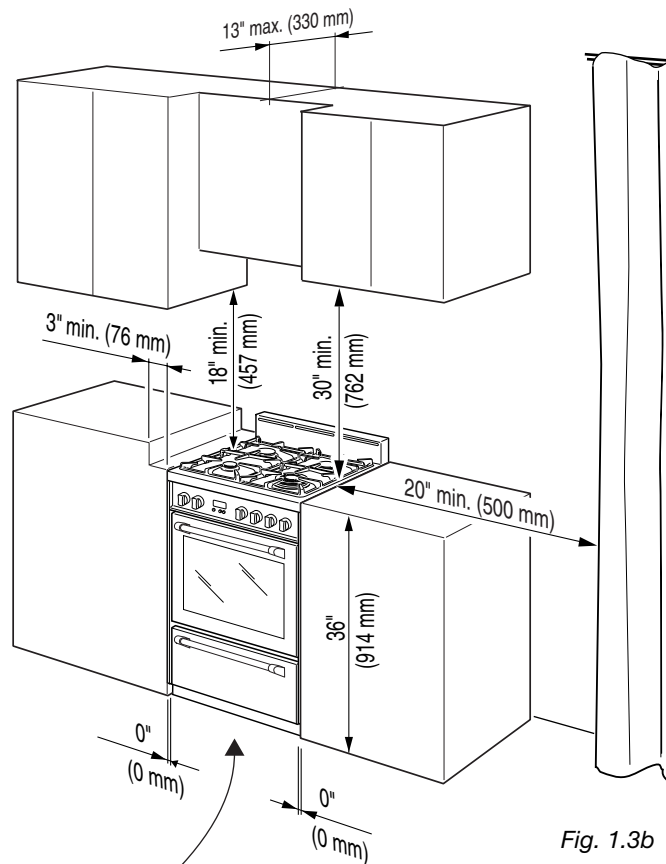
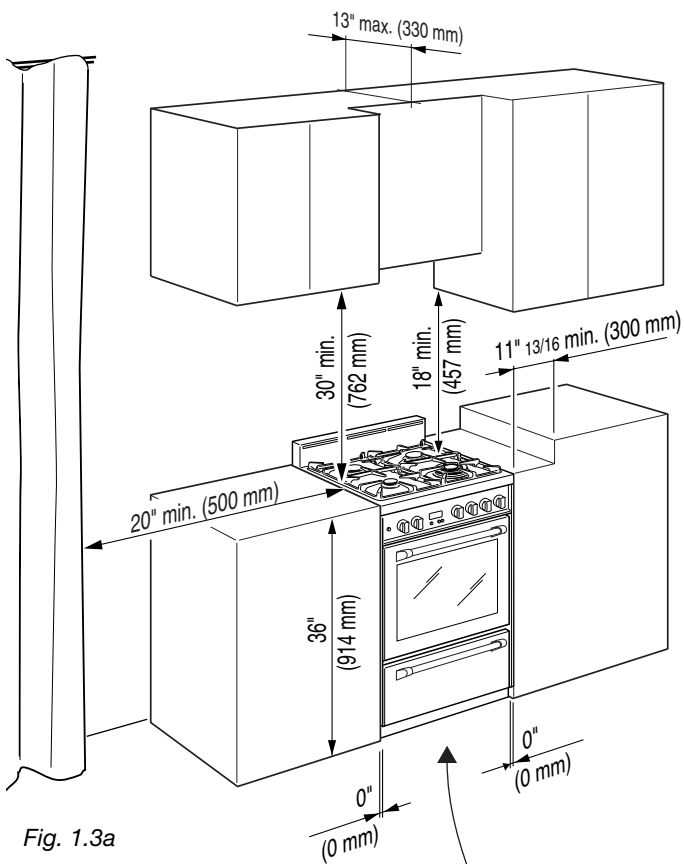


Fig. 1.3a

Fig. 1.3b

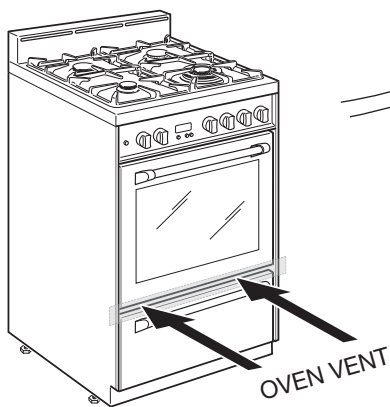


Fig. 1.4

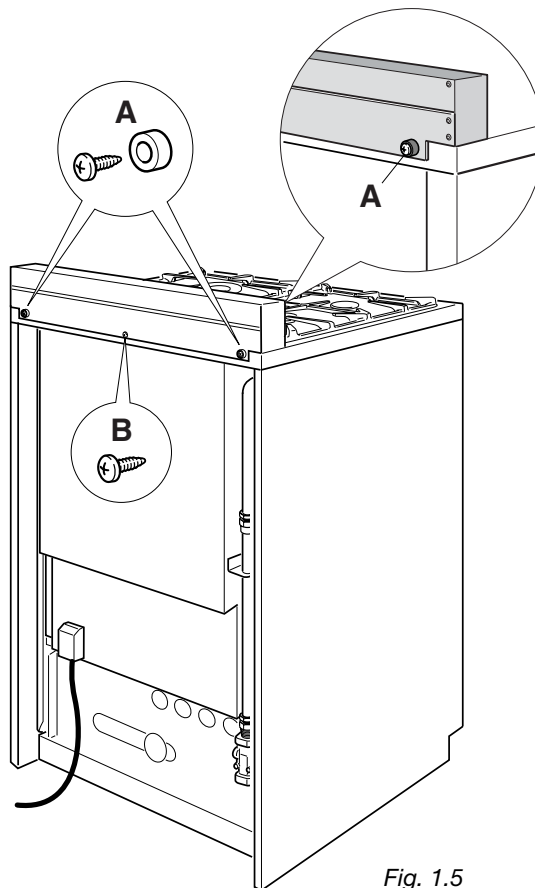


Fig. 1.5

ASSEMBLING THE BACKGUARD

It is mandatory to install the backguard

Assemble the backguard as shown in figure 1.5:

- Screw the 2 screws "A" interposing the spacers.
- Screw the central screw "B".

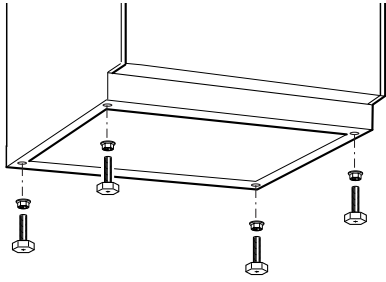


Fig. 1.6

LEVELLING THE RANGE

The range is equipped with 4 LEVELLING FEET (SUPPLIED IN A SEPARATE KIT) and may be levelled by screwing or unscrewing the feet with a spanner (fig. 1.8).

It is important to observe the directions of figures 1.6, 1.7a, 1.7b.

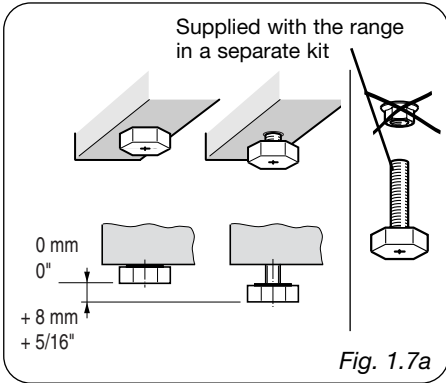


Fig. 1.7a

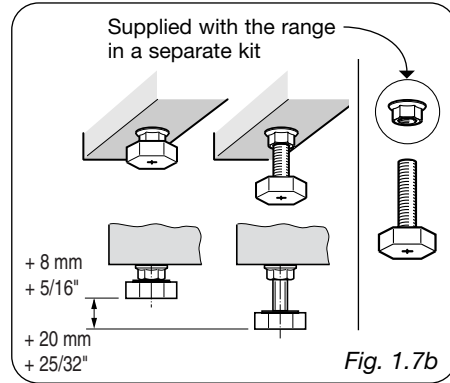


Fig. 1.7b

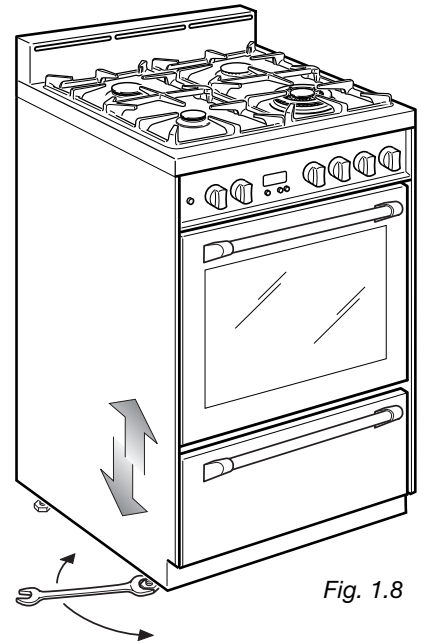
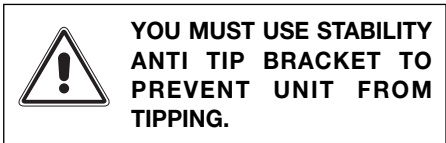


Fig. 1.8



YOU MUST USE STABILITY ANTI TIP BRACKET TO PREVENT UNIT FROM TIPPING.

ANTI-TIP STABILITY DEVICE INSTALLATION INSTRUCTIONS

1. The anti-tip bracket has to be attached as shown on figure below (only rear right side), it has to be fixed on the floor and on the rear wall by no. 4 (four) suitable screws (not supplied).
2. After fixing the anti-tip bracket, slide range into place. Be sure the rear right foot slides under the anti-tip bracket attached.

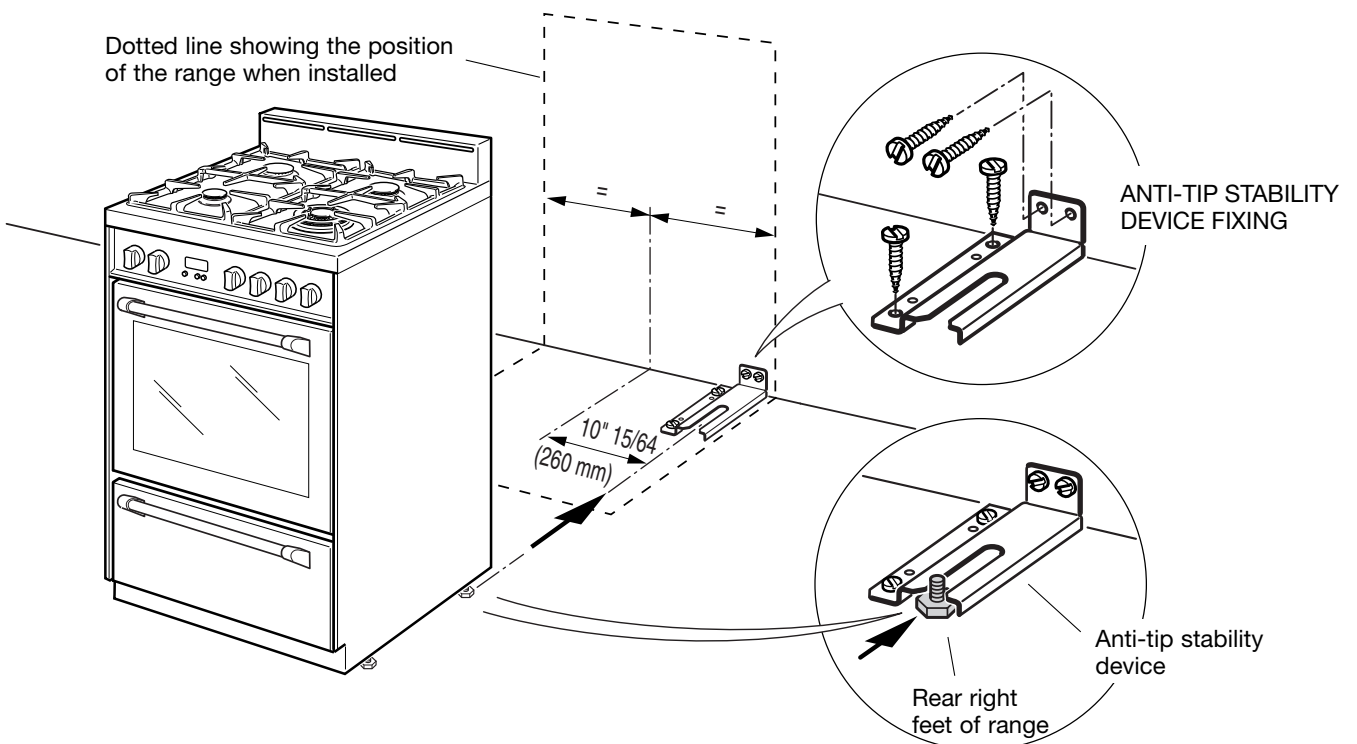


Fig. 1.9

All gas connections must be made according to national and local codes. This gas supply (service) line must be the same size or greater than the inlet line of the appliance. Sealant on all pipe joints must be resistant to the action of LP/Propane gas.

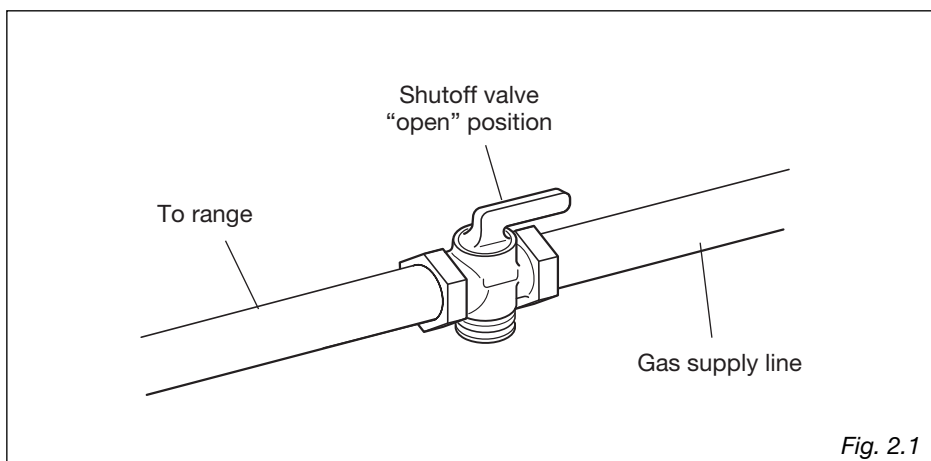
The range is equipped for the use with NATURAL gas. It is design-certified by CSA International for NATURAL and L.P. gases with appropriate conversion.

The model/serial rating plate, located inside the drawer, has information on the type of gas that can be used. If this information does not agree with the type of gas available, check with the local gas supplier. See page from 13 to 16 for L.P. gas conversion instructions.

1. Manual Shut-off Valve (fig: 2.1):

The supply line shall be equipped with an approved shutoff valve. This valve should be located in the same room as the range and should be in a location that allows ease of opening and closing (in a position where it can be reached quickly in the event of an emergency).

Do not block access to the shutoff valve. The valve is for turning on or shutting off gas to the appliance.





2. Pressure Regulator:

a) All heavy duty, commercial type cooking equipment must have a pressure regulator on the incoming service line for safe and efficient operation, since service pressure may fluctuate with local demand.

Before installing the regulator mount the 1/2" NPT (conical) male connector to the regulator (see picture 2.2). Gasket supplied have to be placed between 1/2" NPT (conical) connector/extension pipe male pipe fitting (see picture 2.3).

The regulator supplied with this range must be installed before any gas connections are made.

Use supplied pressure regulator only.

 WARNING

Explosion Hazard
Use a new CSA or UL approved gas supply line.
Install a shut-off valve.
Securely tighten all gas connections.
If connected to LP, have a qualified person make sure gas pressure does not exceed 14" water column.
Examples of a qualified person include licensed heating personnel, authorized gas company personnel, and authorized service personnel.
Failure to do so can result in death, explosion, or fire.

PRESSURE REGULATOR INSTALLATION

STEP 1

Mount the 1/2" NPT (conical) male connector to the pressure regulator and tighten by using a wrench.

Do not over tighten the connector.

Over tightening may crack regulator.

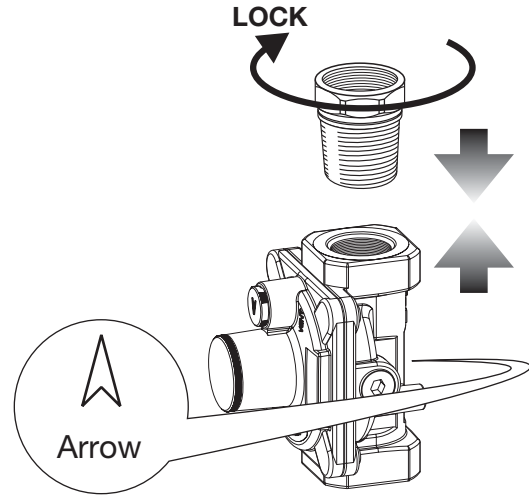


Fig. 2.2

STEP 2

Assemble the 1/2" NPT connector + pressure regulator group to the extension pipe interposing the gasket supplied. The regulator cover must be oriented toward the front side of the range.

IMPORTANT: use two spanners to tighten the connection.

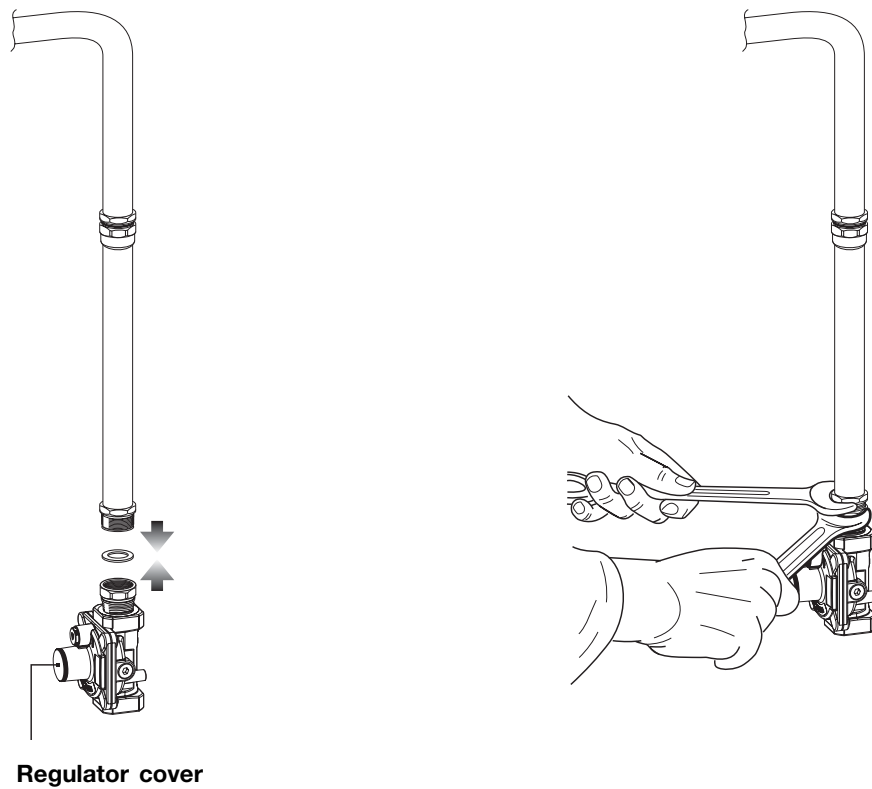
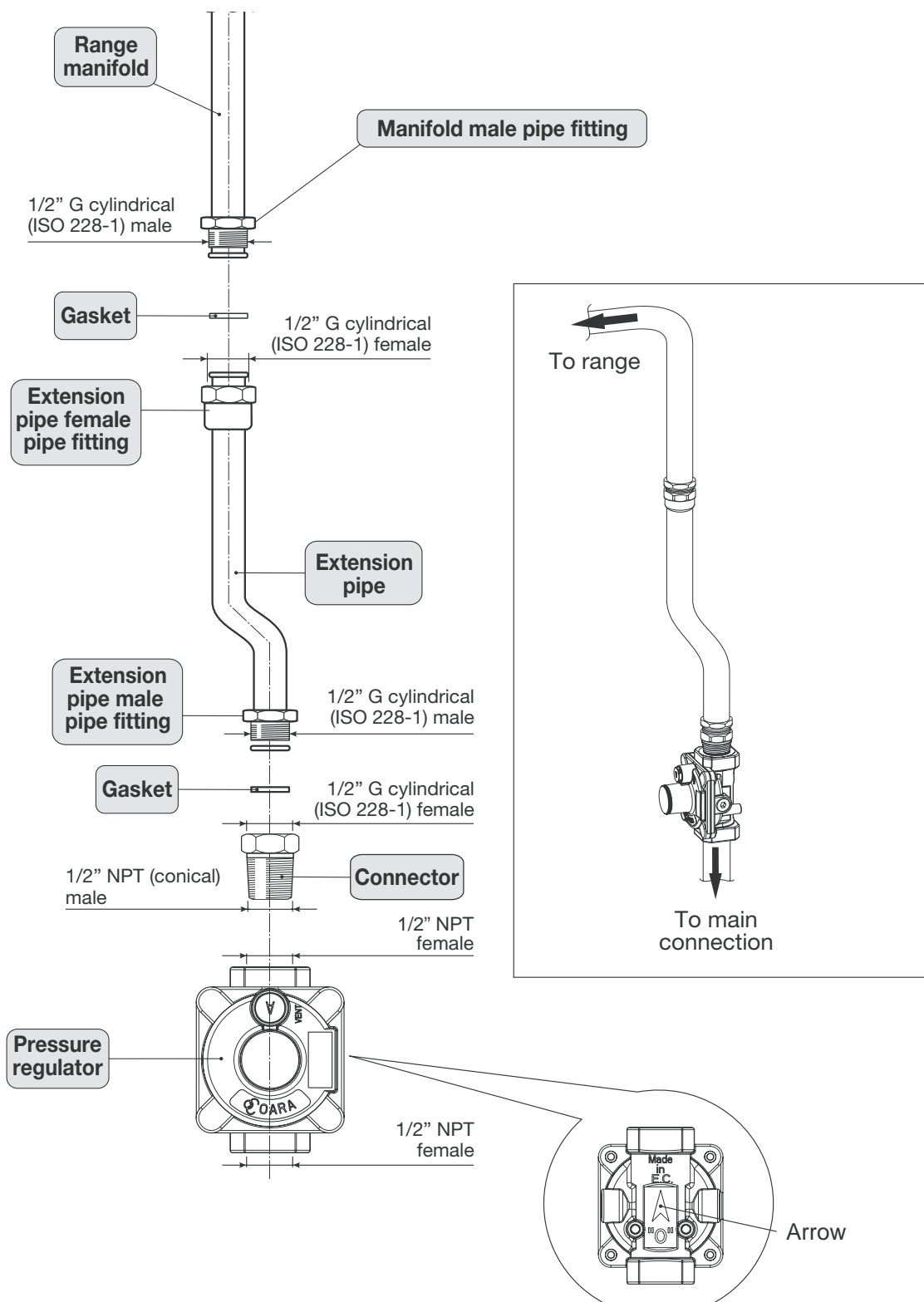


Fig. 2.3

GAS CONNECTION SPECIFICATION



WARNING: check the right positioning of the gas regulator. The arrow on the back of the gas regulator must be oriented toward the connector.

Fig. 2.4

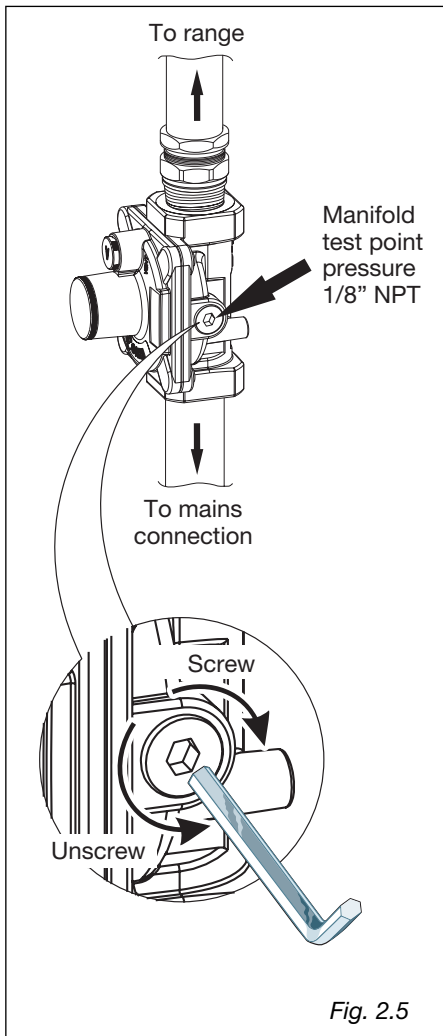


Fig. 2.5

- b) Any conversion required must be performed by your dealer or a qualified licensed plumber or gas service company. Please provide the service person with this manual before work is started on the range. (Gas conversions are the responsibility of the dealer or end user.)
- c) This range can be used with NATURAL or LP/PROPANE gas. It is shipped from the factory adjusted for use with NATURAL gas.
- d) Manifold pressure should be checked with a manometer; NATURAL gas requires 4.0" W.C.P. and LP/PROPANE requires 11.0" W.C.P. (see side figure).
Incoming line pressure upstream from the regulator must be 1" W.C.P. higher than the manifold pressure in order to check the regulator.
The regulator used on this range can withstand a maximum input pressure of 1/2 PSI (14.0" W.C.P). If the line pressure is in excess of that amount, a step-down regulator will be required.
- e) The appliance, its individual shut-off valve, and pressure regulator must be disconnected from the gas supply piping system during any pressure testing of that system at pressures in excess of 1/2 PSI (3.5 kPa).
- f) The appliance must be isolated from the gas supply piping system by closing its individual manual shut-off valve during any pressure testing of the gas supply piping system at test pressure equal to or less than 1/2 PSI (3.5 kPa).

3. Flexible Connections:

If local codes permit, CSA design-certified, flexible metal appliance connector is recommended for connecting this range to the gas supply line. Do Not kink or damage the flexible connector when moving the range. The pressure regulator has 1/2" NPT female pipe threads. You will need to determine the fittings required, depending on the size of your gas supply line, flexible metal connector and shutoff valve.

4. Rigid Pipe Connections:

If rigid pipe is used as a gas supply line, a combination of pipe fittings must be used to obtain an in-line connection to the range. All strains must be removed from the supply and fuel lines so range will be level and in line.

- Use joint compounds and gaskets that are resistant to action of natural or propane gas on all male pipe threads.
- Do not over tighten gas fitting when attaching to pressure regulator. Over tightening may crack regulator.

5. Leak Testing:

IMPORTANT: Leak testing of the appliance shall be conducted as follows:

- After final gas connection is made, turn on manual gas valve and test all connections in gas supply piping and appliance for gas leaks with a soapy water solution. During this test all appliance gas valves have to be closed.
- In order to avoid property damage or serious personal injury, never use a lighted match. If a leak is present, tighten joint or unscrew, apply more joint compound, tighten again and retest connection for leak.

CONVERSION TO LP/PROPANE GAS

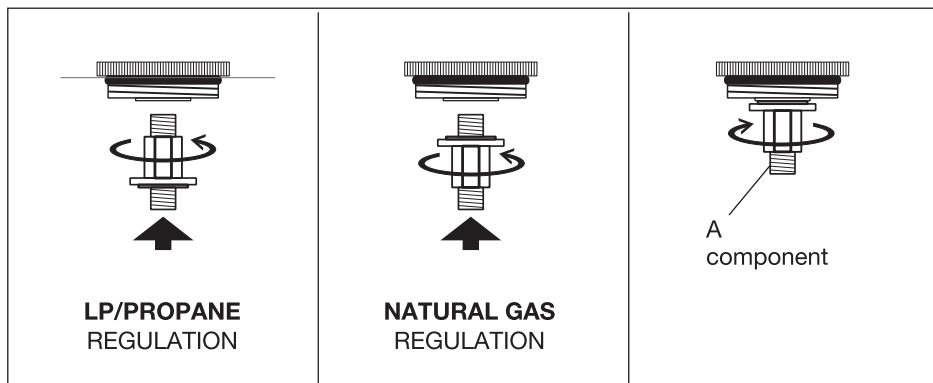
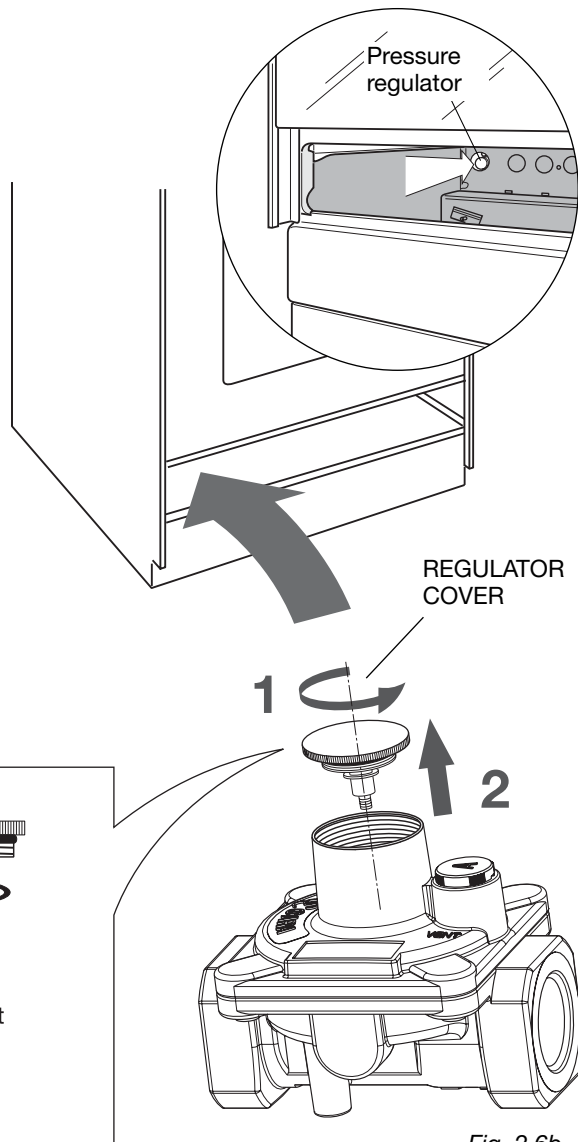
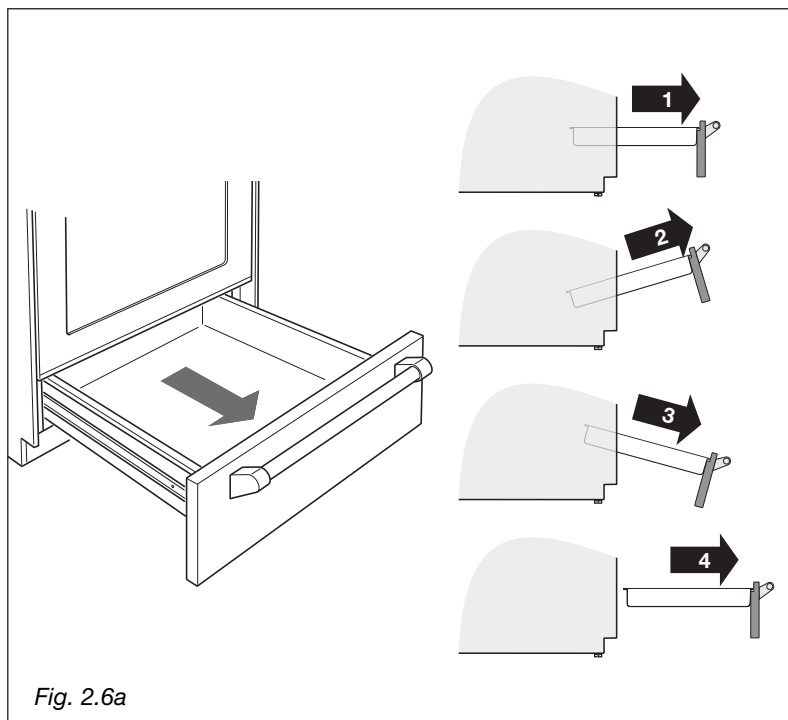
Every range is provided with a set of injectors for the various types of gas. Select the injectors to be replaced according to the "INJECTORS TABLE". The nozzle diameters, expressed in hundredths of a millimetre, are marked on the body of each injector.

SETTING THE PRESSURE REGULATOR (fig. 2.6b)

The pressure regulator is accessible by removing the bottom drawer; the pressure regulator is positioned on the rear left side of the range. To remove the drawer proceed as per figure 2.6a.

To set the pressure regulator:

1. Unscrew the regulator cover;
2. Unscrew the A component, reverse and screw it according to the LP/PROPANE regulation.



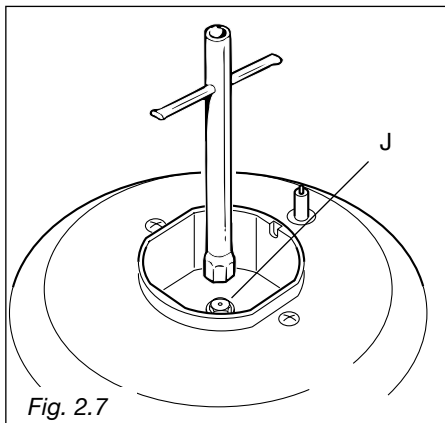


Fig. 2.7

INJECTORS TABLE

BURNERS	NOMINAL POWER BTU/hr	REDUCED POWER BTU/hr	LP/PROPANE 11" W.C.P.		NATURAL GAS 4" W.C.P.	
			Ø injector [1/100 mm]	By-pass [1/100 mm]	Ø injector [1/100 mm]	By-pass [1/100 mm]
Auxiliary (AUX)	3500	1000	55	27	90	adjustable
Semirapid (SR)	6000	1500	72	32	118	adjustable
Triple ring (TC)	12000	5000	102	65	170	adjustable
Oven burner	13000	1500	109	34	180	adjustable
Broil burner	8500	-	88	-	146	-

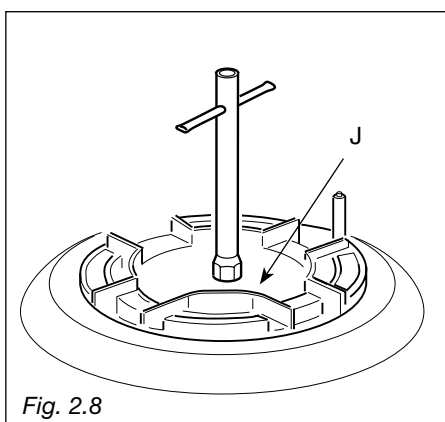


Fig. 2.8

OPERATIONS TO BE PERFORMED WHEN SUBSTITUTING THE INJECTORS

- ✓ Remove the gratings, the burner covers and the knobs;
- ✓ Using a wrench substitute the nozzle injectors "J" (figs. 2.7 - 2.8) with those most suitable for the kind of gas for which it is to be used.

The burner are conceived in such a way so as not to require the regulation of the primary air.

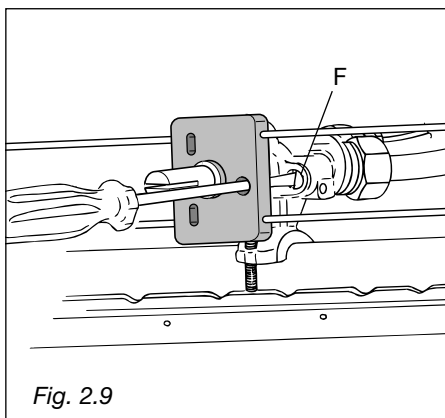


Fig. 2.9

SETTING THE BURNER MINIMUM

When switching from one type of gas to another, the minimum flow rate must also be correct: the flame should not go out even when passing suddenly from maximum to minimum flame.

To regulate the flame follow the instructions below:

- Light the burner
- Set the gas valve to LO position
- Remove the knob
- With a thin screwdriver pass by the hole of microswitch and turn the screw F until adjustment is correct (fig. 2.9).

For LP/PROPANE gas, tighten the adjustment screws completely.

OPERATIONS TO BE EXECUTED FOR THE REPLACEMENT OF THE INJECTORS OF THE OVEN AND BROIL BURNERS

a) Oven Burner

- Lift and remove the lower panel inside the oven.
- Remove the burner securing screw (fig. 2.10).
- Withdraw the burner as shown in figure 2.11 and rest it inside the oven. Take care not to damage the wire to the ignition electrode and the safety valve probe.
- Using a 7 mm box spanner, unscrew the injector (indicated by the arrow in fig. 2.11) and replace it by the proper one according to the kind of gas.
Then replace the burner repeating the above steps in reverse order.

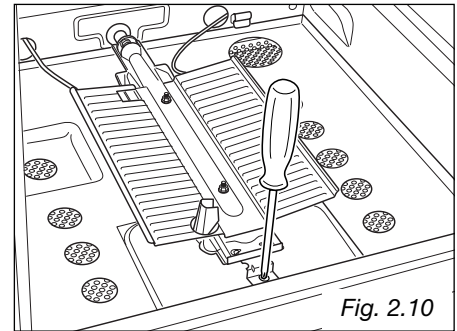


Fig. 2.10

b) Broil Burner

- Remove the burner by unscrewing the front screw (fig. 2.12). Gently suspend the burner as shown in figure 2.13. Be careful not to damage the wire of the electric ignition and the probe of the safety valve.
- Using a 7 mm box spanner, replace the injector (indicated by the arrow in fig. 2.13) by the proper one according to the kind of gas.
- Replace the burner repeating the above steps in reverse order.

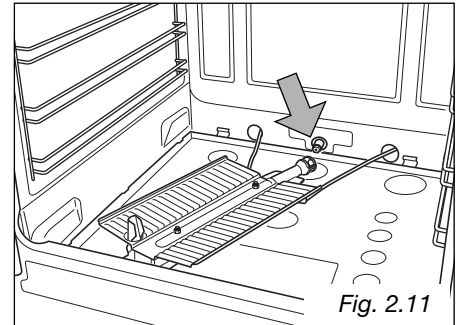


Fig. 2.11

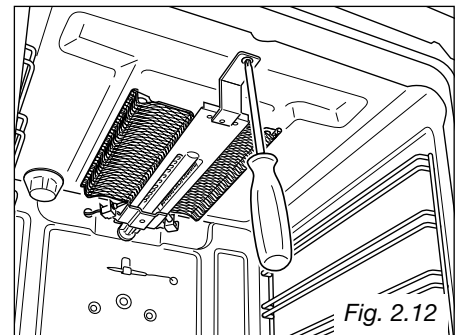


Fig. 2.12

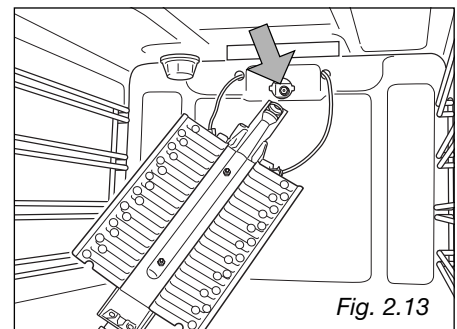
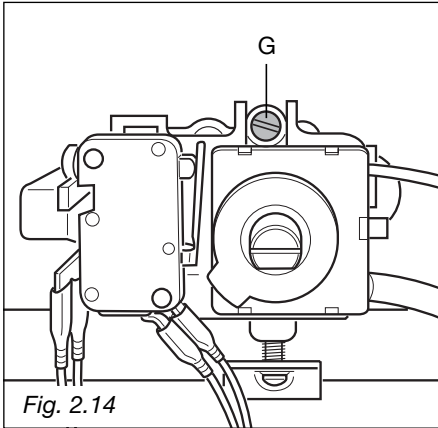


Fig. 2.13



ADJUSTMENT OF THE OVEN BURNER MINIMUM

This needs to be done only for the oven burner (the broil is a fixed capacity) by acting on the thermostat in the following way:

- Turn on the burner by setting the thermostat knob on position 8.
- Remove the knob and unscrew the by-pass screw "G" (fig. 2.14) about three times by passing a small flat screwdriver (Ø 3 mm blade, 100 mm length) through the panel opening.
- Re-mount the knob and let the oven heat up for about 10 minutes, then bring the knob to position 1 (minimum) to operate the thermostat by-pass.
- After having removed the knob again and being very careful not to turn the tap rod, slowly screw the by-pass screws "G" (fig. 2.14) until you obtain a flame of 3-4 mm in height.

N.B. For LP/PROPANE gas the by-pass screw must be fixed thoroughly.

After regulation repeat the operations indicated in paragraph "2. Pressure regulator" at page 9 and 12.

If the range has been disconnected and then connected again to the gas supply line repeat the operations indicated in paragraph "5. Leak Testing" at page 12.

IMPORTANT:

After conversion to LP/PROPANE gas has been carried out affix inside the drawer, near the data plate, the conversion label supplied and also affix a conversion label at page 3 of this instruction manual.

If codes permit and a separate ground wire is used, it is recommended that a qualified electrician determine that the ground path is adequate.

Check with a qualified electrician if you are not sure whether the range is properly grounded.

Do Not ground to a gas pipe.

A 120-volt, 60-Hz, AC-only, 15-ampere, fused electrical supply is required. A time-delay fuse or circuit breaker is recommended. It is recommended that a separate circuit serving only this appliance be provided.

The outlet must be checked by a qualified electrician to see if it is wired with correct polarity.

This appliance, when installed, must be electrically grounded in accordance with local codes.

Recommended ground method

For your personal safety, this range must be grounded. This range is equipped with a 3-prong ground plug. To minimize possible shock hazard, the cord must be plugged into a mating 3-prong ground-type outlet, grounded in accordance with the National Electrical Code ANSI/NFPA 70 latest edition and local codes and ordinances. If a mating outlet is not available, it is the personal responsibility and obligation of the customer to have a properly polarized and grounded, 3-prong outlet installed by a qualified electrician.

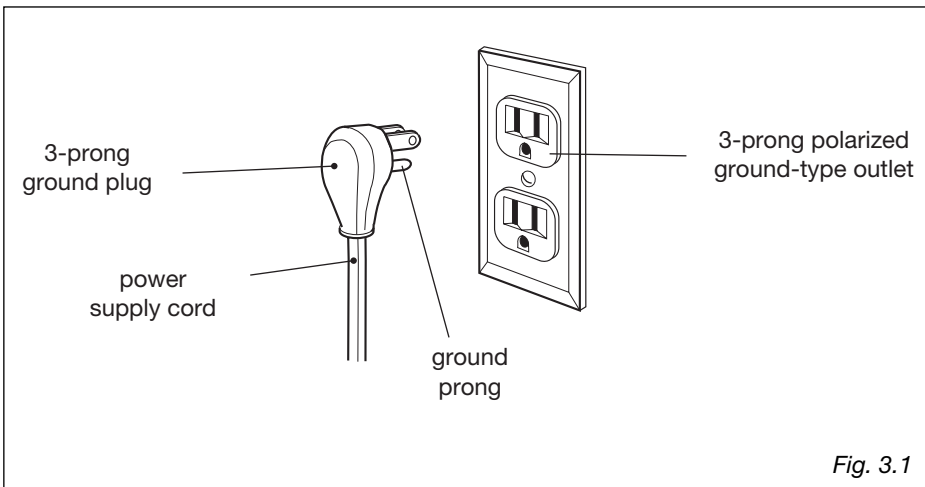


Fig. 3.1

WARNING



Electrical Shock Hazard

Plug into a grounded 3-prong outlet.

Do not remove ground prong.

Do not use an adapter.

Failure to follow these instructions can result in death, fire, or electrical shock.

WARNING VERY IMPORTANT

Before any operation of maintenance disconnect the appliance from the electrical mains supply.

WIRING DIAGRAM

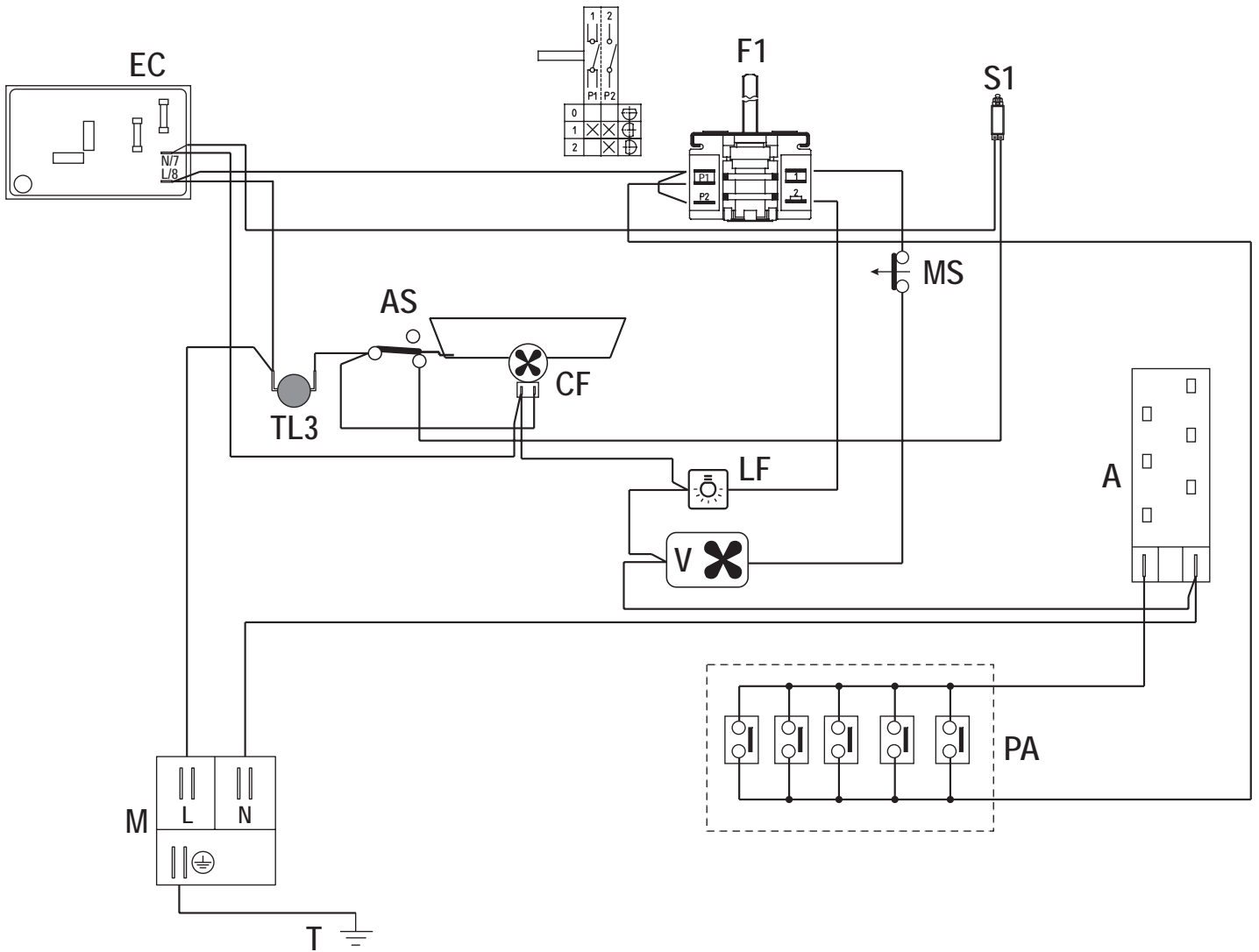


Fig. 3.2

ELECTRIC DIAGRAM KEY

- F1 Switch
- MS Security microswitch
- S1 Cooling fan safety lamp
- LF Oven lamp
- AS Air switch
- V Fan
- TL3 Thermal overload
- PA Ignition switches group
- A Ignition coil
- EC Electronic clock
- CF Cooling fan
- M Terminal block
- T Earth connection



AVERTISSEMENT

- TOUS LES TYPES DE CUISINIÈRE PEUVENT BASCULER
- CELA PEUT PROVOQUER DES BLESSURES
- INSTALLEZ LE DISPOSITIF ANTIBASCULEMENT FOURNI AVEC LA CUISINIÈRE
- CONSULTEZ LES INSTRUCTIONS D'INSTALLATION

AVERTISSEMENT : SI L'INFORMATION CONTENUE DANS CE MANUEL N'EST PAS SUIVIE À LA LETTRE, UN INCENDIE OU UNE EXPLOSION PEUVENT SE PRODUIRE ET ENTRAÎNER DES DOMMAGES MATÉRIELS, DES BLESSURES OU MÊME LA MORT.

- ✓ Ne rangez pas et n'utilisez pas d'essence ou d'autres vapeurs et liquides inflammables à proximité de cet appareil ou de tout autre appareil électroménager.
- ✓ **QUOI FAIRE SI VOUS SENTEZ UNE ODEUR DE GAZ :**
 - N'essayez pas d'allumer un appareil quel qu'il soit.
 - Ne touchez à aucun interrupteur électrique. N'utilisez aucun téléphone de votre domicile.
 - Appelez immédiatement votre fournisseur de gaz depuis le téléphone d'un voisin.
Suivez les instructions de votre fournisseur de gaz.
 - Si vous ne pouvez joindre votre fournisseur de gaz, appelez les pompiers.
- ✓ L'installation, ainsi que toute réparation, doivent être effectuées par un installateur ou une entreprise de service qualifiés, ou par le fournisseur de gaz.

Cet appareil a été conçu et fabriqué uniquement pour la cuisson domestique des aliments et ne convient pas à l'usage non ménager. Cet appareil ne devrait donc pas être utilisé dans un environnement commercial.

La garantie de l'appareil sera annulée s'il est utilisé dans un environnement non domestique, c'est-à-dire un environnement semi-commercial, commercial ou communautaire.

PLAQUE SIGNALÉTIQUE

ÉTIQUETTE DE CONVERSION

IMPORTANT - VEUILLEZ LIRE ET SUIVRE

- ✓ Avant de commencer, veuillez lire attentivement toutes les instructions.
- ✓ N'enlevez pas les étiquettes, plaques ou avertissements permanents de l'appareil. Cela pourrait annuler la garantie.
- ✓ Veuillez respecter tous les codes et les règlements locaux et nationaux.
- ✓ Veuillez vous assurer que cet appareil est bien mis à la terre.
- ✓ La prise de courant devrait être toujours accessible.
- ✓ **L'installateur doit confier ces instructions au consommateur qui les conservera pour l'usage de l'inspecteur local et pour s'y reporter ultérieurement.**



L'installation doit être conforme aux codes locaux, ou en l'absence de ceux-ci, à la dernière édition du National Fuel Gas Code ANSI Z223.1. L'installation électrique doit être conforme à la dernière édition du Code national de l'électricité, ANSI/NFPA 70 et/ou aux codes locaux. AU CANADA : L'installation doit être conforme au CAN/CGA-B149.1, Code d'installation du gaz naturel ou au CAN/CGA-B149.2, Code d'installation du propane en vigueur et/ou aux codes locaux. L'installation électrique doit être conforme au Code canadien de l'électricité CSA C22.1, partie 1, en vigueur et/ou aux codes locaux.

INSTALLATION DANS UNE MAISON PRÉFABRIQUÉE (MOBILE) : L'installation doit être conforme au Manufactured Home Construction and Safety Standard, Titre 24 CFR, Partie 3280 (anciennement le Federal Standard for Mobile Home Construction and Safety, Titre 24, HUD/Partie 280) ou, lorsque cette norme n'est pas applicable, au Standard for Manufactured Home Installations, ANSI/NCSBCS A225.1, ou aux codes locaux, là où il y a lieu.

INSTALLATION DANS UNE CARAVANE DE PARC : L'installation doit être conforme aux codes de l'État ou aux autres codes ou, en l'absence de tels codes, au Standard for Recreational Park Trailers, ANSI A119.5.

L'installation de tout appareil au gaz doit être effectuée par un technicien qualifié. Par mesure de sécurité et pour faciliter le service, un robinet d'arrêt de gaz manuel doit être installé dans le tuyau d'alimentation en gaz, juste avant l'appareil.

Si vous utilisez une source d'alimentation électrique extérieure, cet appareil doit être, au moment de son installation, mis à la terre conformément aux codes locaux en vigueur ou, en l'absence de tels codes, conformément au Code national de l'électricité, ANSI/NFPA 70.

**Cette cuisinière est livrée avec une pellicule protectrice recouvrant les pièces en acier et en aluminium.
Cette pellicule doit être enlevée avant l'installation ou l'utilisation de l'appareil.**

À L'INTENTION DE L'INSTALLATEUR SEULEMENT

**CETTE CUISINIÈRE EST RÉSERVÉE À L'USAGE
RÉSIDENTIEL UNIQUEMENT.**

INSTRUCTIONS D'INSTALLATION

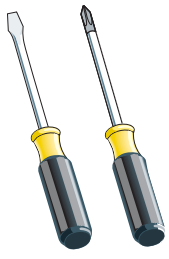
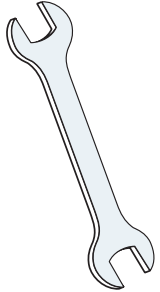
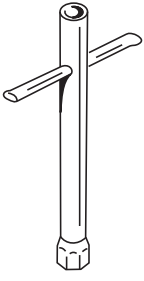
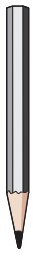
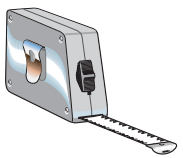
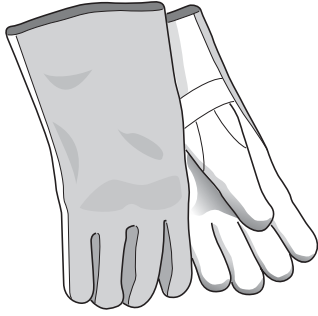
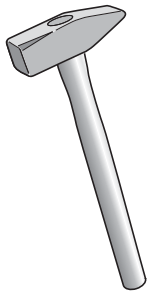
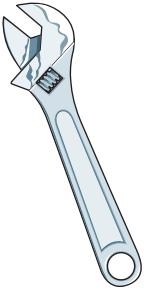
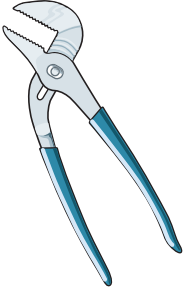
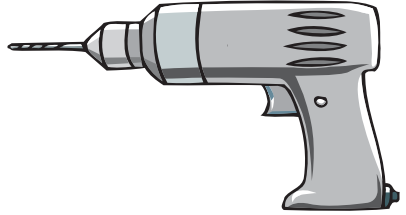
AVERTISSEMENT!

CET APPAREIL DOIT ÊTRE INSTALLÉ PAR UN INSTALLATEUR QUALIFIÉ.

Une mauvaise installation, modification, réparation ou un mauvais réglage ou entretien peuvent causer des blessures ou des dommages matériels. Consultez un installateur qualifié, un agent autorisé ou le fournisseur de gaz.

IMPORTANT : L'utilisation de vêtements et de gants de protection est recommandée lors de la manutention et l'installation de cet appareil.

OUTILS REQUIS POUR L'INSTALLATION (NON FOURNIS AVEC L'APPAREIL)

 <p>Tournevis</p>	 <p>2 - Clef</p>	 <p>Clef à poignée en T</p>	 <p>Crayon</p>	 <p>Mètre à ruban</p>
 <p>Gants de protection</p>	 <p>Marteau</p>	 <p>Clef à molette</p>	 <p>Pince multiprise</p>	 <p>Perceuse</p>

RENSEIGNEMENTS GÉNÉRAUX

1. L'installation doit être conforme aux codes locaux ou, en l'absence de ceux-ci, à la dernière édition du **National Fuel Gas Code**, ANSI Z223.1.
2. Installation dans une maison préfabriquée (mobile) : L'installation doit être conforme au **Manufactured Home Construction and Safety Standard**, Titre 24 CFR, Partie 3280 (anciennement le **Federal Standard for Mobile Home Construction and Safety**, Titre 24, HUD/Partie 280) ou, lorsque cette norme n'est pas applicable, au **Standard for Manufactured Home Installations**, ANSI/NCSBCS A225.1, ou aux codes locaux, là où il y a lieu.
3. Installation dans une caravane de parc : L'installation doit être conforme aux codes de l'État ou aux autres codes ou, en l'absence de tels codes, au **Standard for Recreational Park Trailers**, ANSI A119.5.



4. **AVERTISSEMENT!!**

Cet appareil ne doit pas être utilisé pour chauffer une pièce. Ces renseignements sont basés sur des facteurs de sécurité.

5. Toute ouverture dans le mur derrière l'appareil et dans le sol au-dessous de l'appareil doit être obstruée.
6. Gardez l'appareil loin des matériaux combustibles, de l'essence ou de toute autre vapeur inflammable.
7. N'obstruez pas le flux de l'air de combustion et de l'air de ventilation.
8. Coupez l'alimentation électrique de l'appareil avant de procéder à l'entretien.
9. Lors du déplacement de l'appareil pour le nettoyage et/ou une réparation :
 - A. Fermez l'alimentation générale en gaz.
 - B. Coupez l'alimentation c.a.
 - C. Débranchez le tuyau d'alimentation en gaz du tuyau d'entrée.
 - D. Déplacez la cuisinière avec soin en la tirant en dehors de l'installation.

ATTENTION : La cuisinière est lourde. Faites attention lorsque vous la manipulez.
10. **Exigences électriques**

L'installation électrique doit être conforme aux codes nationaux et locaux.
11. **Alimentation d'air et ventilation**

L'installateur doit consulter les codes locaux et nationaux.
12. **Pression du collecteur d'alimentation en gaz**

Gaz naturel - 4,0 po CE
Gaz propane/GPL - 11,0 po CE
13. L'utilisation inappropriée de la porte du four (par exemple, marcher, s'asseoir ou s'appuyer dessus) peut présenter des dangers possibles et/ou entraîner des blessures.
14. Lors de l'installation ou du déplacement de la cuisinière pour une réparation, un timon rouleau devrait être utilisé. Ne poussez pas en appuyant sur les rebords de la cuisinière en tentant de la faire glisser dans ou en dehors de l'installation. Pousser ou tirer une cuisinière (plutôt que d'utiliser un timon rouleau) augmente également les risques de déformation des tiges ou des connecteurs de couplage internes.



AVERTISSEMENT!!

INSTRUCTIONS DE MISE À LA TERRE

La cuisinière doit être mise à la terre conformément aux codes locaux ou, en l'absence de ceux-ci, à la dernière édition du Code national de l'électricité, ANSI/NFPA n° 70 ou au Code canadien de l'électricité au Canada.

L'installation doit être effectuée par un électricien qualifié.

POUR VOTRE SÉCURITÉ, CET APPAREIL DOIT ÊTRE CORRECTEMENT MIS À LA TERRE.

Si vous utilisez une source d'alimentation électrique extérieure, cet appareil doit être, au moment de son installation, mis à la terre conformément aux codes locaux en vigueur ou, en l'absence de ceux-ci, conformément au Code national de l'électricité, ANSI/NFPA 70.

Pour diminuer les risques de choc électrique, cet appareil est muni d'une fiche à trois broches (mise à la terre) et devrait être branché directement dans une prise correctement mise à la terre.

Ne coupez et ne retirez en aucun cas la troisième broche (mise à la terre) de la fiche du cordon d'alimentation.

PIÈCES DE RECHANGE

Seules les pièces de rechange autorisées peuvent être utilisées lors d'une réparation sur la cuisinière. Des pièces de rechange sont disponibles chez les concessionnaires de pièces d'origine. Veuillez communiquer avec le concessionnaire de pièces de votre région.

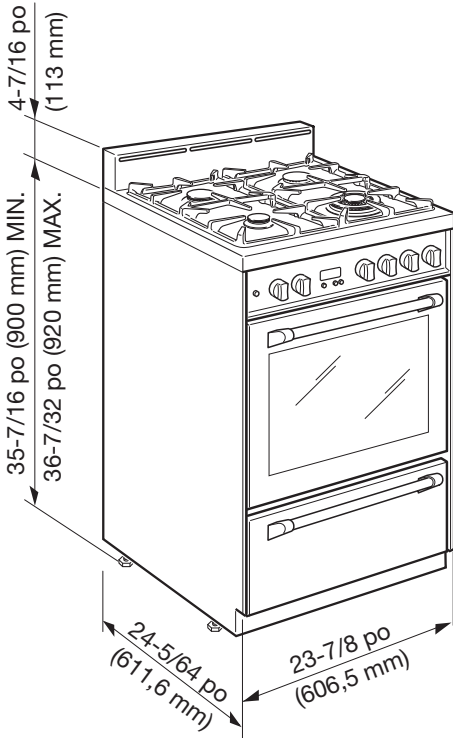


Fig. 1.1

PROXIMITÉ DES ARMOIRES

1. Cette cuisinière peut être installée directement adjacente à des armoires de base existantes de 36 po (914 mm) de hauteur.

Dimensions de la cuisinière :

- largeur : 23-7/8 po (606,5 mm)
- profondeur : 24-5/64 po (611,6 mm)
- hauteur (sans dossier) : 35-7/16 po (900 mm) MIN. - 36-7/32 po (920 mm) MAX.
- dossier (hauteur) : 4-7/16 po (113 mm)

Ouverture du tuyau de gaz :

Mur - 5-57/64 po (150 mm) du sol; 11-15/16 po (303 mm) du côté gauche arrière de la cuisinière.

Prise mise à la terre : Le cordon d'alimentation électrique avec fiche à 3 broches (mise à la terre) a une longueur de 72 po (1 830 mm). La prise mise à la terre doit être située à 5-57/64 po (150 mm) du sol, et à 11-15/16 po (303 mm) du côté droit arrière de la cuisinière.

2. La cuisinière NE PEUT PAS être installée directement adjacente à un mur, à une armoire haute, à un électroménager haut, ou à toute autre surface latérale verticale de plus de 36 po (914 mm) de hauteur.

Un dégagement latéral minimal de 3 po (76 mm) est nécessaire entre la cuisinière et toute surface combustible À GAUCHE, au-dessus du comptoir de 36 po (914 mm) de hauteur. Un dégagement latéral minimal de 11-13/16 po (300 mm) est nécessaire entre la cuisinière et toute surface combustible À DROITE, au-dessus du comptoir de 36 po (914 mm) de hauteur.

IMPORTANT : Un côté (gauche ou droit) au-dessus du comptoir de 36 po (914 mm) de hauteur doit toujours être dégagé.

3. La profondeur maximale recommandée de l'armoire supérieure est de 13 po (330 mm). L'armoire au-dessus de la cuisinière doit être située au moins 30 po (762 mm) au-dessus du comptoir, avec une largeur minimale de 24 po (609,6 mm); elle doit être centrée avec la cuisinière. Les armoires latérales au-dessus de la cuisinière doivent être situées au moins 18 po (457 mm) au-dessus du comptoir.

RACCORDEMENTS ÉLECTRIQUE ET AU GAZ

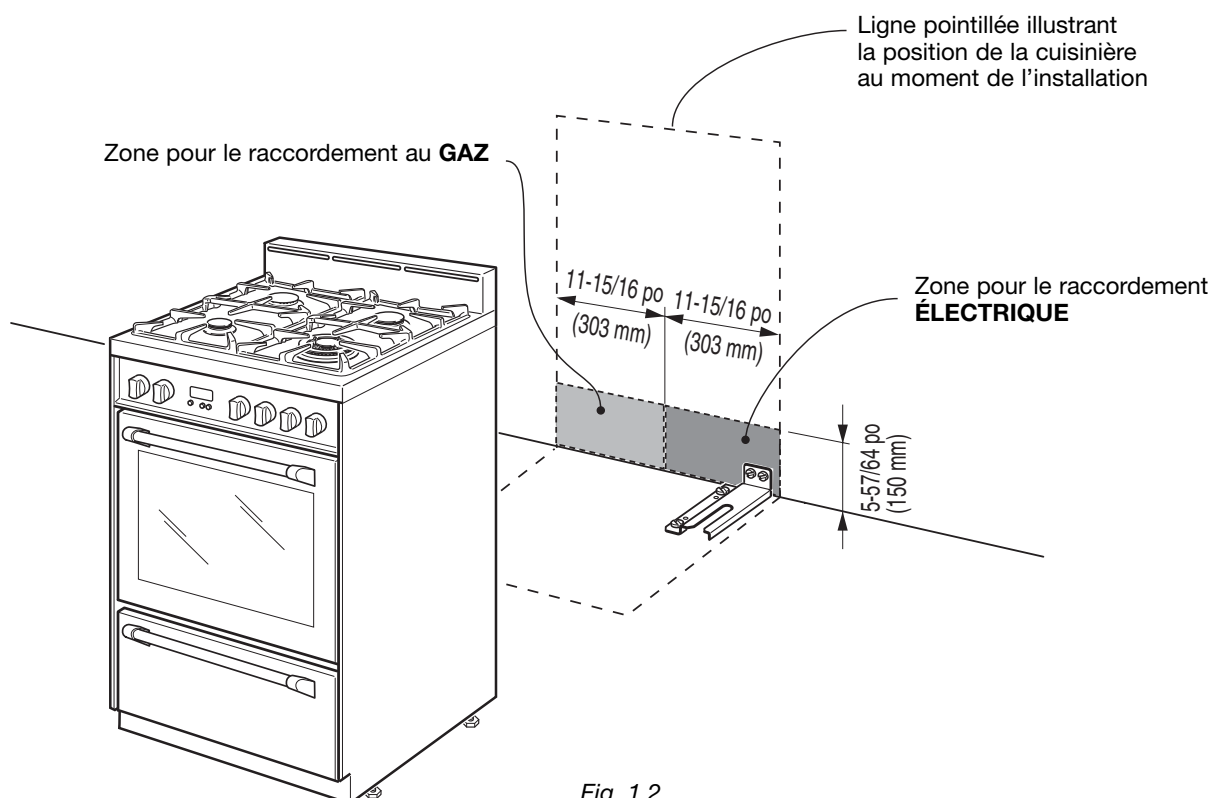


Fig. 1.2

PROXIMITÉ DES ARMOIRES

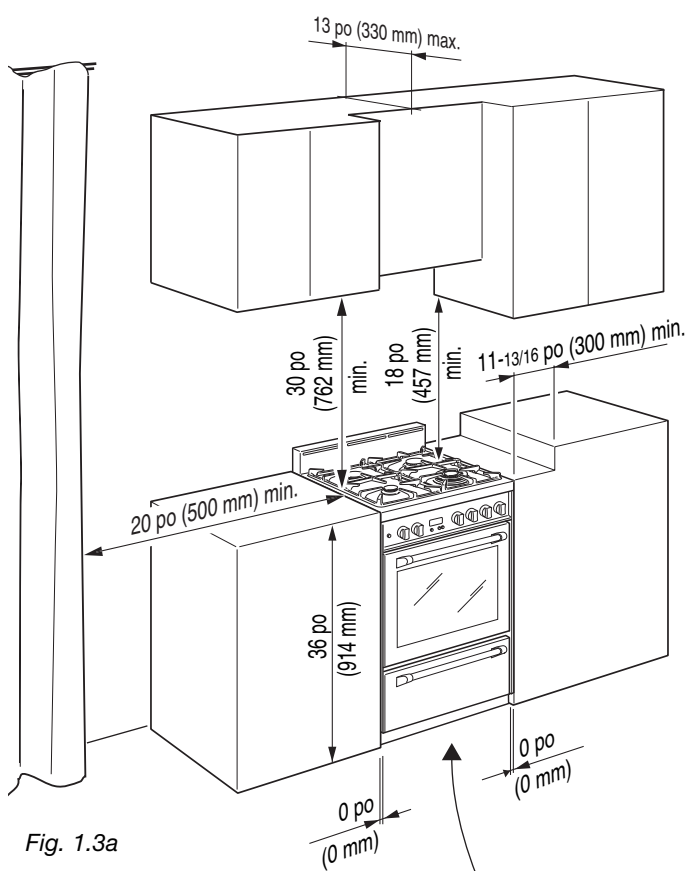


Fig. 1.3a

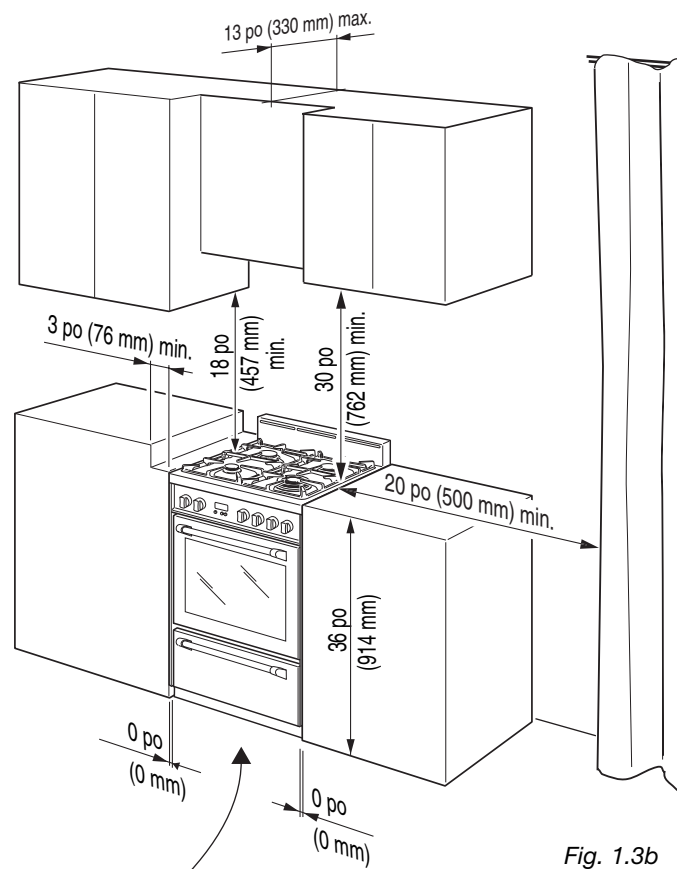


Fig. 1.3b

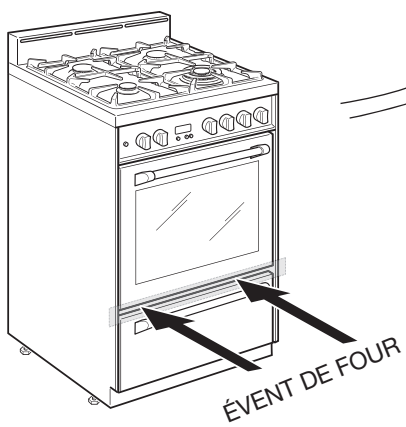


Fig. 1.4

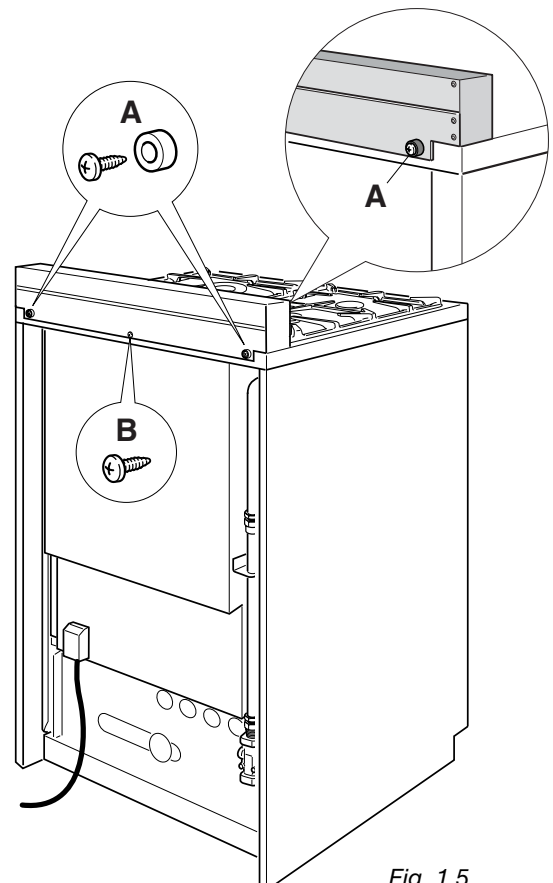


Fig. 1.5

MONTAGE DU DOSSERET

L'installation du dosseret est obligatoire.

Montez le dosseret tel qu'indiqué à la figure 1.5 :

- Vissez les 2 vis « A » en interposant les butoirs.
- Vissez la vis centrale « B ».

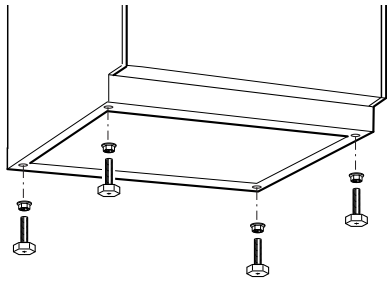


Fig. 1.6

MISE À NIVEAU DE LA CUISINIÈRE

La cuisinière est munie de 4 PIEDS DE MISE À NIVEAU (FOURNIS DANS UNE TROUSSE SÉPARÉE) et peut être mise à niveau en vissant ou en dévissant ces pieds à l'aide d'une clef (fig. 1.8).

Il est important de respecter les instructions des figures 1.6, 1.7a, 1.7b.

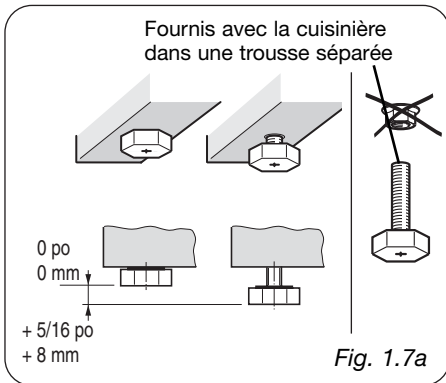


Fig. 1.7a

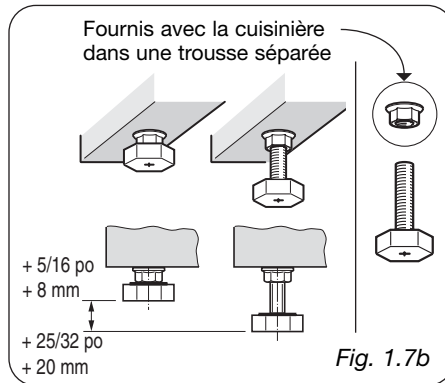


Fig. 1.7b

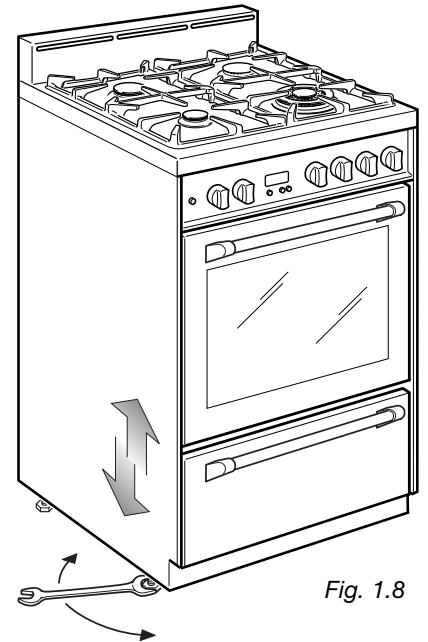



Fig. 1.8



VOUS DEVEZ UTILISER LE SUPPORT DE STABILITÉ ANTIBASCULEMENT POUR ÉVITER QUE L'APPAREIL BASCULE.

INSTRUCTIONS D'INSTALLATION DU DISPOSITIF DE STABILITÉ ANTIBASCULEMENT

1. Le support antibasculé doit être fixé tel qu'indiqué dans l'illustration ci-dessous (seulement le côté droit arrière). Vous devez le fixer au sol et au mur arrière avec des vis n° 4 (quatre) appropriées (non fournies).
2. Après avoir fixé le support antibasculé, glissez la cuisinière en place. Assurez-vous que le pied arrière droit glisse sous le support antibasculé fixé.

Ligne pointillée illustrant la position de la cuisinière au moment de l'installation

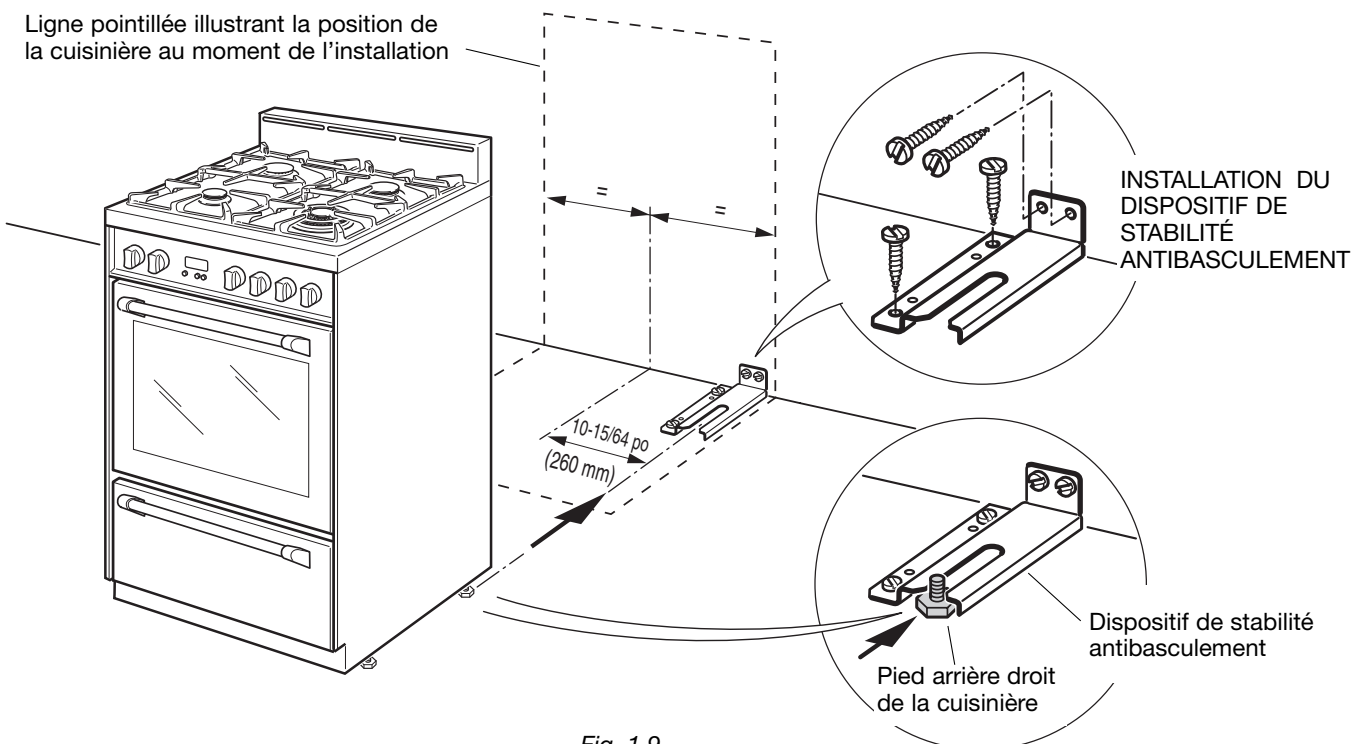


Fig. 1.9

Tous les raccordements au gaz doivent être effectués conformément aux codes nationaux et locaux. Ce tuyau d'alimentation en gaz doit être du même format ou plus grand que la conduite de l'appareil. Le produit d'étanchéité sur tous les joints de tuyau doit être résistant à l'action du gaz propane/GPL.

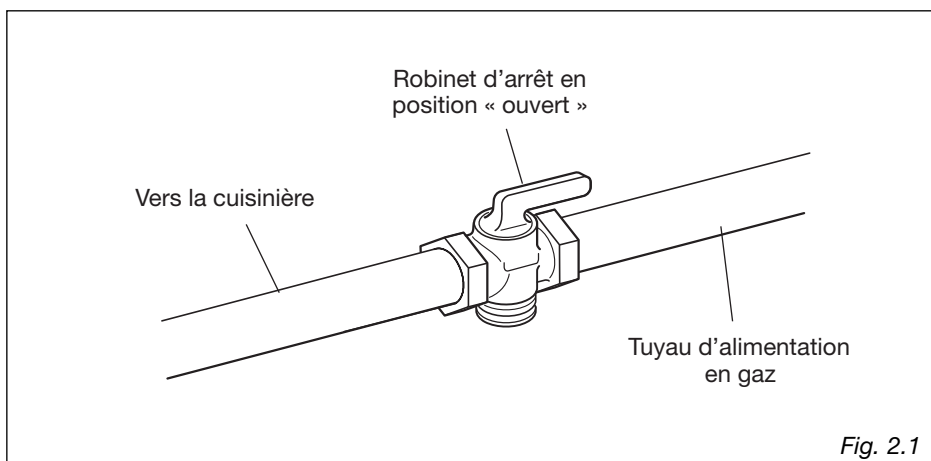
Cet appareil est muni d'un équipement pour l'utilisation avec du gaz NATUREL. La conception a été certifiée par CSA International pour le gaz NATUREL et le GPL, avec conversion appropriée.

La plaque signalétique de modèle/série, située à l'intérieur du tiroir, contient des renseignements sur le type de gaz pouvant être utilisé. Si cette information ne correspond pas au type de gaz disponible, consultez le fournisseur de gaz de votre région. Consultez les pages 31 à 34 pour les instructions de conversion au GPL.

1. Robinet d'arrêt manuel (fig. 2.1) :

Le tuyau d'alimentation doit être muni d'un robinet d'arrêt approuvé. Ce robinet doit être situé dans la même pièce que la cuisinière et à un endroit permettant la mise en service et l'arrêt faciles (dans une position rapidement accessible en cas d'urgence).

Ne bloquez pas l'accès au robinet d'arrêt. Le robinet sert à mettre en service ou à fermer l'alimentation en gaz à l'appareil.



2. Régulateur de pression :

a) Tout appareil de cuisson à usage industriel ou commercial doit être muni d'un régulateur de pression sur le tuyau d'alimentation pour un fonctionnement sécuritaire et efficace, étant donné que la pression de service peut varier en fonction de la demande de la région.

Avant d'installer le régulateur, montez le connecteur mâle (conique) NPT de 1/2 po au régulateur (fig. 2.2). Le joint fourni doit être placé entre le connecteur (conique) NPT de 1/2 po et le raccord mâle du tuyau de prolongation (fig. 2.3).

Le régulateur fourni avec cette cuisinière doit être installé avant d'effectuer tout raccordement au gaz.

Utilisez uniquement le régulateur de pression fourni.

AVERTISSEMENT



Risque d'explosion

Utilisez un nouveau tuyau d'alimentation en gaz homologué CSA ou cUL.

Installez un robinet d'arrêt.

Serrez bien tous les raccordements au gaz.

Dans le cas d'un raccordement au GPL, faites vérifier par une personne qualifiée que la pression de gaz ne dépasse pas 14 po de colonne d'eau.

Les personnes qualifiées comprennent le technicien en chauffage agréé, le personnel autorisé de la société gazière, et le technicien autorisé.

Le non-respect de ces consignes peut entraîner la mort, provoquer une explosion ou un incendie.

INSTALLATION DU RÉGULATEUR DE PRESSION

ÉTAPE 1

Montez le connecteur mâle (conique) NPT de 1/2 po sur le régulateur de pression et serrez avec une clef.

Ne serrez pas le connecteur outre mesure.

Trop serrer pourrait entraîner une fissure dans le régulateur.

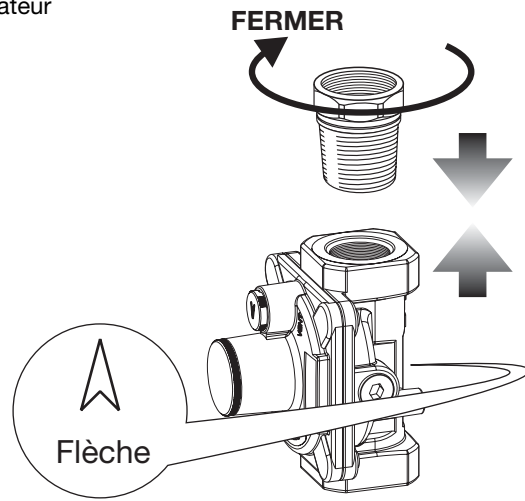


Fig. 2.2

ÉTAPE 2

Montez le connecteur NPT de 1/2 po et l'ensemble du régulateur de pression sur le tuyau de prolongation en interposant le joint fourni. Le couvercle du régulateur doit être orienté vers l'avant de la cuisinière.

IMPORTANT : Utilisez deux clefs pour serrer le raccord.

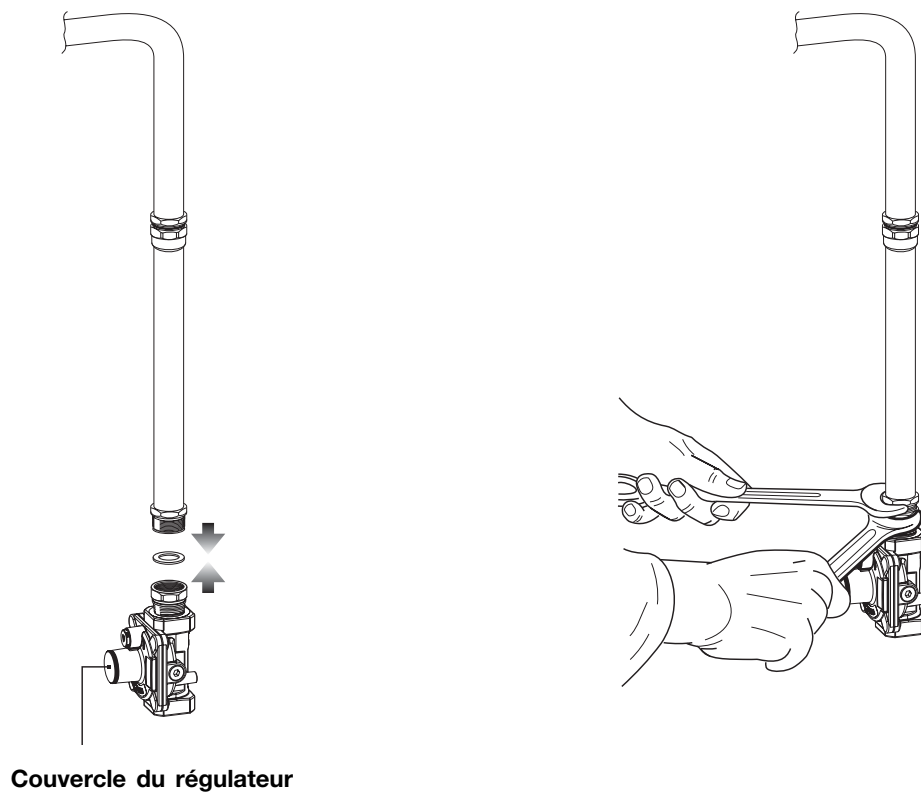


Fig. 2.3

SPÉCIFICATION DU RACCORDEMENT AU GAZ

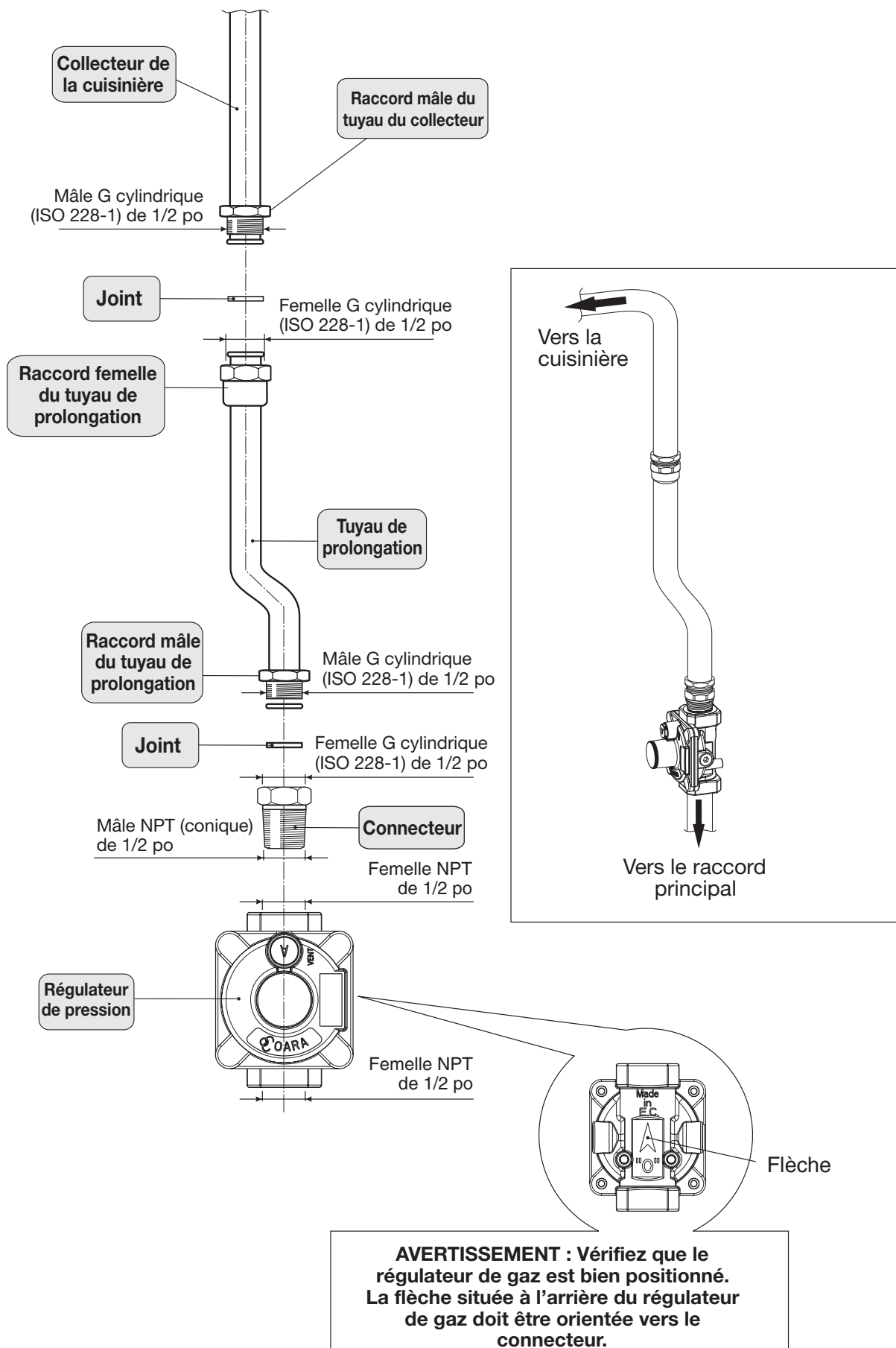


Fig. 2.4

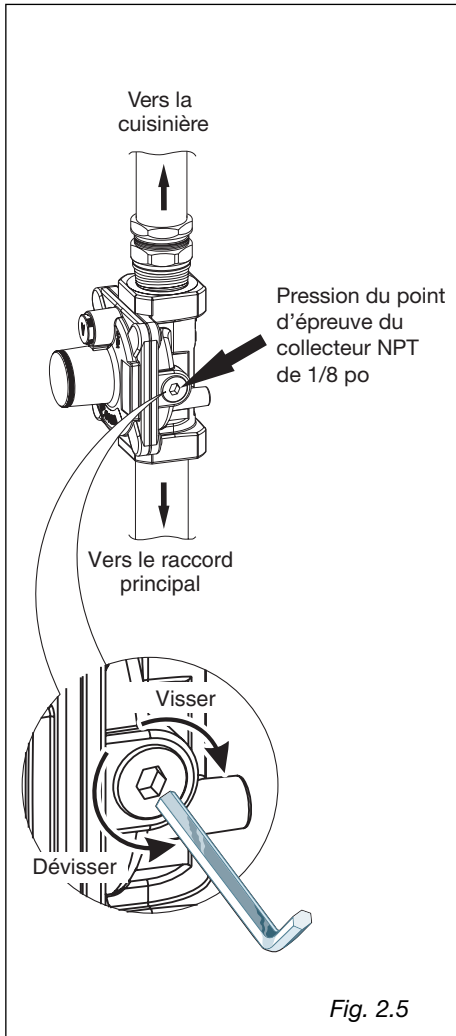


Fig. 2.5

b) Toute conversion requise doit être effectuée soit par votre détaillant, soit un technicien agréé qualifié ou par la société gazière. Veuillez remettre le présent manuel au technicien avant de commencer l'entretien de la cuisinière. (Les conversions de gaz sont la responsabilité du détaillant ou de l'utilisateur final.)

c) Cette cuisinière fonctionne au gaz NATUREL ou au gaz PROPANE/GPL. Elle est livrée avec le gaz NATUREL comme réglage par défaut.

d) La pression d'admission doit être réglée avec un manomètre; le gaz NATUREL nécessite une pression de 4,0 po CE et le gaz PROPANE/GPL nécessite une pression de 11,0 po CE (reportez-vous à la figure ci-contre).

La pression du tuyau d'alimentation en amont du régulateur doit être de 1 po CE plus élevée que celle de la pression d'admission afin de pouvoir vérifier le régulateur.

Le régulateur utilisé avec cette cuisinière peut résister à une pression d'entrée maximale de $1/2 \text{ lb/po}^2$ (14,0 po CE). Si la pression du tuyau excède cette valeur, vous aurez besoin d'un régulateur abaisseur.

e) Lorsque vous utilisez des pressions de plus de $1/2 \text{ lb/po}^2$ (3,5 kPa) pour faire un essai de pression sur le système d'alimentation en gaz, débranchez l'appareil, le robinet d'arrêt individuel de la tuyauterie d'alimentation en gaz et le régulateur de pression.

f) Lorsque vous utilisez des pressions de $1/2 \text{ lb/po}^2$ (3,5 kPa) ou moins pour faire un essai de pression sur le système d'alimentation en gaz, isolez l'appareil du système d'alimentation en gaz en fermant le robinet d'arrêt individuel.

3. Raccords flexibles :

Si les codes locaux le permettent, l'utilisation d'un raccord flexible métallique pour électroménager, certifié par CSA International, est recommandée pour raccorder cette cuisinière au tuyau d'alimentation en gaz. Assurez-vous de ne pas plier ni endommager le raccord flexible lorsque vous déplacez la cuisinière. Le régulateur de pression possède un filetage femelle NPT de 1/2 po. Vous devez déterminer les raccords requis en fonction du format du tuyau d'alimentation en gaz, du raccord de métal flexible et du robinet d'arrêt.

4. Raccords de tuyaux rigides :

Si vous utilisez un tuyau rigide comme tuyau d'alimentation en gaz, vous devez vous servir d'une combinaison de raccords de tuyauterie pour obtenir un raccordement en ligne à la cuisinière. Vous devez éliminer toute tension mécanique des tuyaux d'alimentation et de carburant afin que la cuisinière soit de niveau et en ligne.

- Utilisez de la pâte à joints et des joints qui résistent à l'action du gaz naturel ou du propane sur tout filetage mâle.
- Ne serrez pas le raccord de gaz outre mesure lors de la fixation du régulateur de pression. Trop serrer pourrait entraîner une fissure dans le régulateur.

5. Vérification de l'absence de fuite :

IMPORTANT : La vérification de l'absence de fuite doit être effectuée comme suit :

- Après avoir effectué le dernier raccordement au gaz, ouvrez le robinet de gaz manuel et testez chaque raccord de la tuyauterie d'alimentation en gaz ainsi que l'appareil pour vérifier l'absence de fuite de gaz, en utilisant une solution d'eau savonneuse. Lors de cette vérification, tous les robinets de gaz de l'appareil doivent être fermés.
- Pour réduire les risques de dommages matériels ou de blessures corporelles graves, n'utilisez jamais la flamme d'une allumette. S'il y a une fuite, serrez le joint ou dévissez-le, appliquez-y de la pâte à joints supplémentaire, resserrez-le et vérifiez à nouveau l'absence de fuite.

CONVERSION AU GAZ PROPANE/GPL

Chaque cuisinière est fournie avec un ensemble d'injecteurs pour les divers types de gaz.

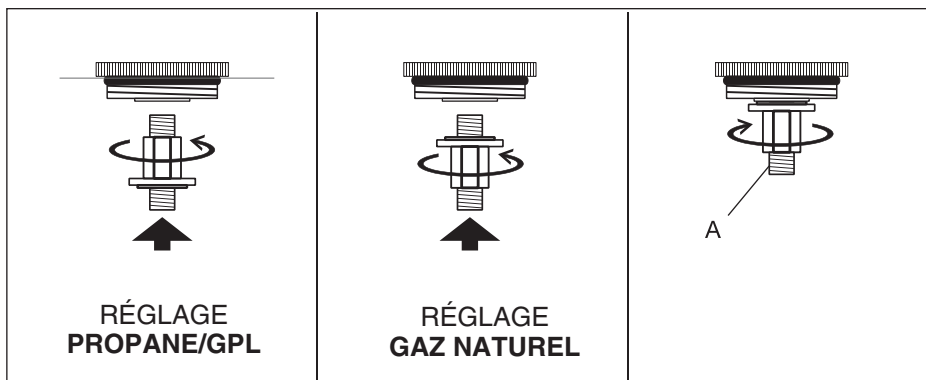
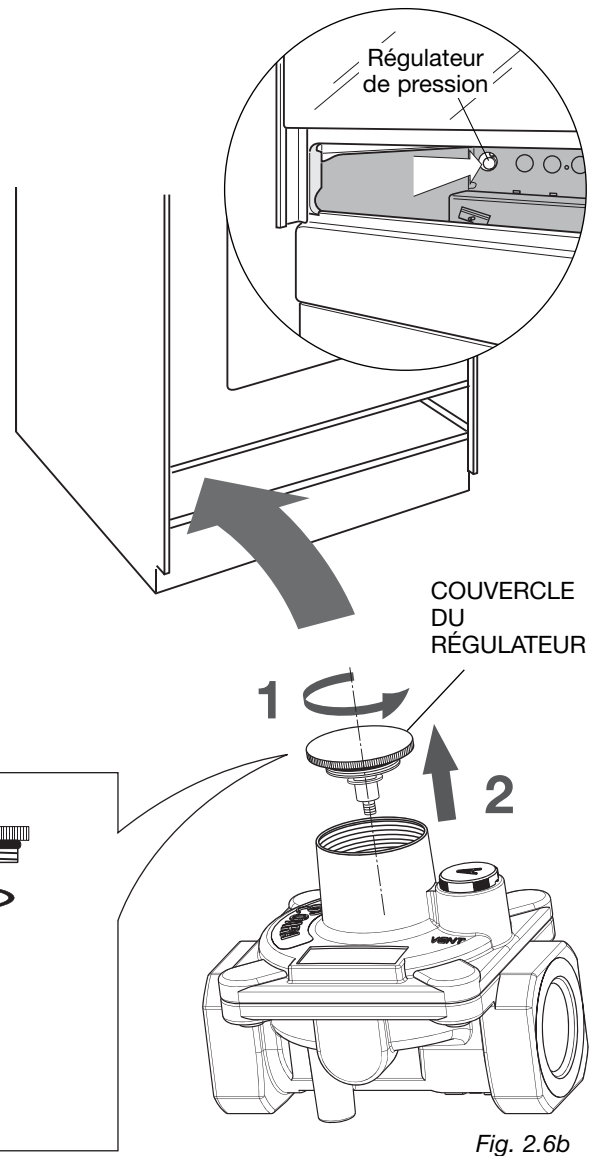
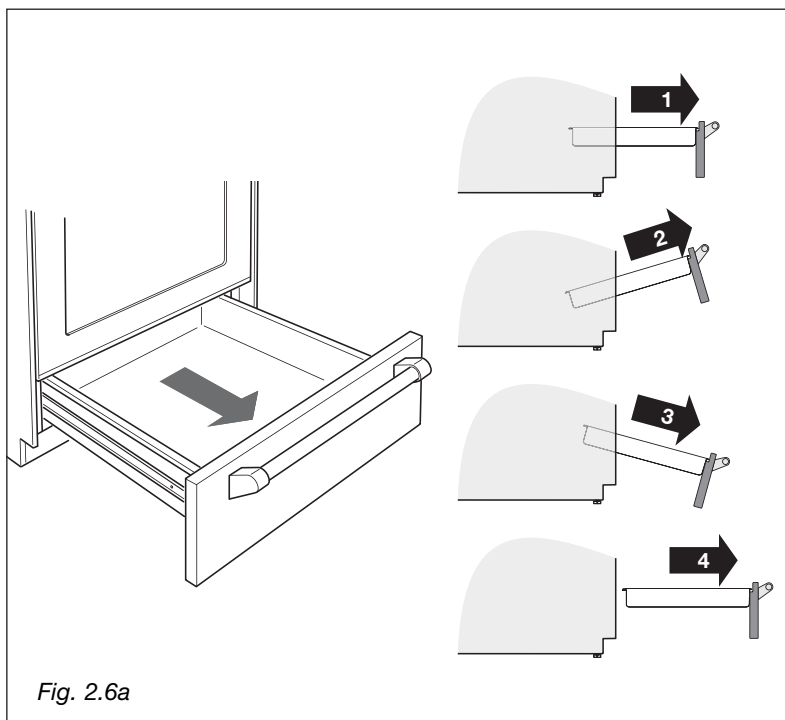
Choisissez les injecteurs à être remplacés selon le « TABLEAU DES INJECTEURS ». Le diamètre de la busette, exprimé en centièmes de millimètre, est indiqué sur le corps de chaque injecteur.

RÉGLAGE DU RÉGULATEUR DE PRESSION (fig. 2.6b)

Vous pouvez accéder au régulateur de pression en retirant le tiroir du bas. Le régulateur de pression est situé sur le côté gauche arrière de la cuisinière. Pour retirer le tiroir, procédez tel qu'indiqué à la figure 2.6a.

Pour régler le régulateur de pression :

1. Dévissez le couvercle du régulateur.
2. Dévissez le composant A, inversez-le et vissez-le selon le réglage PROPANE/GPL.



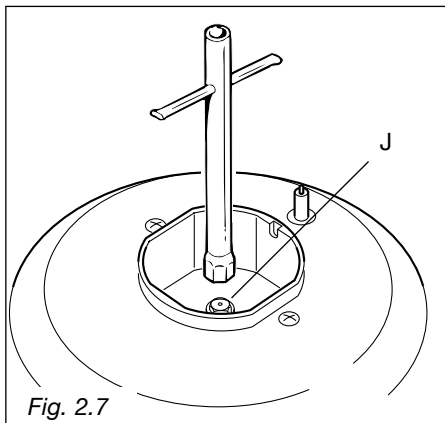


Fig. 2.7

TABLEAU DES INJECTEURS

BRÛLEURS	PUISSANCE NOMINALE BTU/h	PUISSANCE RÉDUITE BTU/h	PROPANE/GPL Pression de 11 po CE		GAZ NATUREL Pression de 4 po CE	
			Injecteur Ø [1/100 mm]	Dérivation [1/100 mm]	Injecteur Ø [1/100 mm]	Dérivation [1/100 mm]
Auxiliaire (AUX)	3 500	1 000	55	27	90	réglable
Semi-rapide (SR)	6 000	1 500	72	32	118	réglable
Triple couronne (TC)	12 000	5 000	102	65	170	réglable
Brûleur du four	13 000	1 500	109	34	180	réglable
Brûleur du gril	8 500	-	88	-	146	-

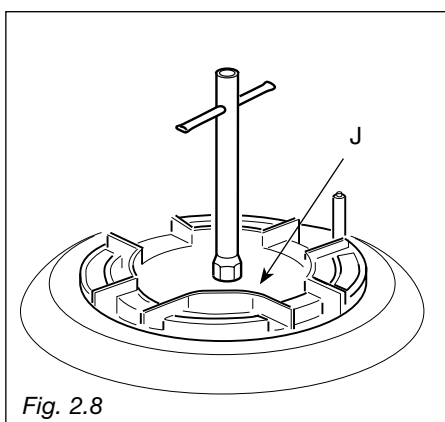


Fig. 2.8

OPÉRATIONS À EFFECTUER POUR REMPLACER LES INJECTEURS

- ✓ Enlevez les grilles, les couvercles des brûleurs et les boutons.
- ✓ En vous servant d'une clef, remplacez les busettes « J » (fig. 2.7, 2.8) avec celles les plus appropriées pour le type de gaz à utiliser.

Les brûleurs ont été conçus de façon telle qu'ils ne nécessitent pas de réglage de l'air primaire.

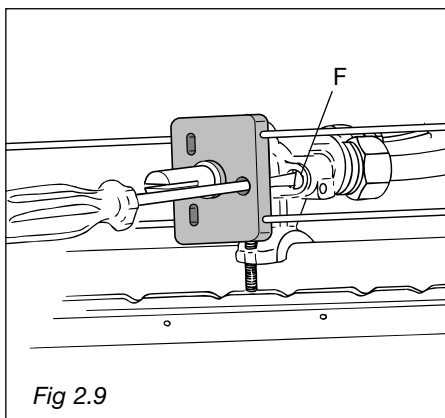


Fig. 2.9

RÉGLAGE MINIMUM DU BRÛLEUR

Lorsque vous passez d'un type de gaz à un autre, le débit minimal doit aussi être correct : les flammes ne devraient pas s'éteindre même lors du passage brusque des flammes maximales aux flammes minimales.

Pour régler les flammes, suivez les instructions ci-dessous :

- Allumez le brûleur.
- Réglez le robinet de gaz à la position LO (ouverture minimale).
- Enlevez le bouton.
- En vous servant d'un tournevis fin, passez par le trou du microcontact et tournez la vis F jusqu'à ce que le réglage soit correct (fig. 2.9).

Pour le gaz PROPANE/GPL, serrez complètement les vis de réglage.

OPÉRATIONS À EFFECTUER POUR REMPLACER LES INJECTEURS DES BRÛLEURS DU FOUR ET DU GRIL

a) Brûleur du four

- Soulevez et enlevez le panneau inférieur à l'intérieur du four.
 - Enlevez la vis de blocage du brûleur (fig. 2.10).
 - Enlevez le brûleur tel qu'indiqué à la figure 2.11 et déposez-le à l'intérieur du four. Faites attention de ne pas endommager le fil qui mène à l'électrode d'allumage et à la sonde de la soupape de sécurité.
 - En vous servant d'une clef polygonale de 7 mm, dévissez l'injecteur (indiqué par la flèche dans la figure 2.11) et remplacez-le par l'injecteur approprié, selon le type de gaz.
- Remplacez ensuite le brûleur en répétant les étapes ci-dessus dans l'ordre inverse.

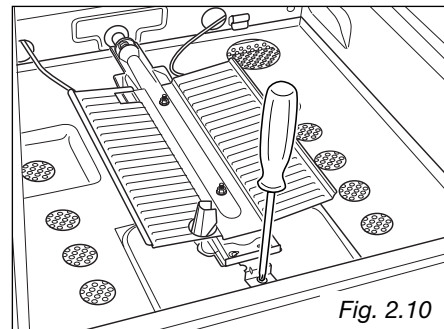


Fig. 2.10

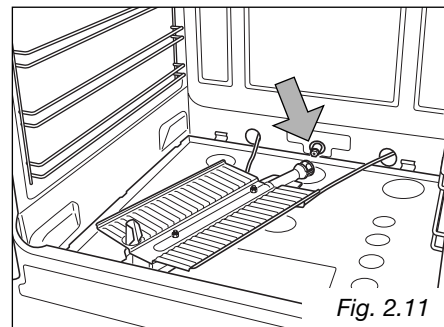


Fig. 2.11

b) Brûleur du gril

- Enlevez le brûleur en dévissant la vis antérieure (fig. 2.12).
Suspendez doucement le brûleur tel qu'indiqué à la figure 2.13. Faites attention de ne pas endommager le fil qui mène à l'électrode d'allumage et à la sonde de la soupape de sécurité.
- En vous servant d'une clef polygonale de 7 mm, remplacez l'injecteur (indiqué par la flèche dans la figure 2.13) par l'injecteur approprié, selon le type de gaz.
- Remplacez le brûleur en répétant les étapes ci-dessus dans l'ordre inverse.

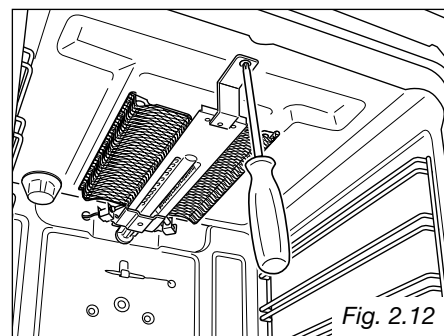


Fig. 2.12

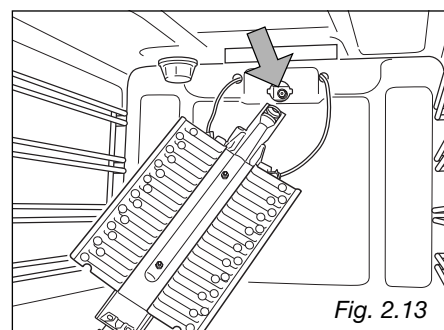


Fig. 2.13

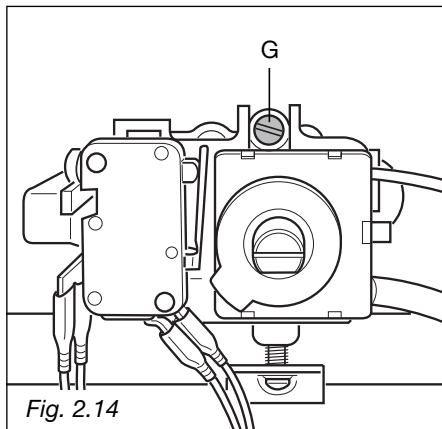


Fig. 2.14

RÉGLAGE MINIMUM DU BRÛLEUR DU FOUR

Cela doit être fait seulement pour le brûleur du four (pour le brûleur du gril, la capacité est fixe) en effectuant les opérations suivantes sur le thermostat :

- Allumez le brûleur en réglant le bouton du thermostat à la position 8.
- Enlevez le bouton et dévissez la vis de dérivation « **G** » (fig. 2.14) environ trois fois en passant un petit tournevis plat (lame de Ø 3 mm, longueur de 100 mm) à travers l'ouverture du panneau.
- Remplacez le bouton et faites chauffer le four pendant une dizaine de minutes, puis réglez le bouton à la position 1 (minimum) pour faire fonctionner la dérivation du thermostat.
- Après avoir enlevé à nouveau le bouton et en faisant attention de ne pas tourner la tige du robinet, vissez lentement les vis de dérivation « **G** » (fig. 2.14) jusqu'à l'obtention d'une flamme d'une hauteur de 3 à 4 mm.

N.B. Pour le gaz PROPANE/GPL, la vis de dérivation doit être complètement serrée.

Après le réglage, répétez les opérations indiquées au paragraphe « 2. Régulateur de pression » à la page 27 et 30.

Si la cuisinière a été débranchée, puis branchée à nouveau au tuyau d'alimentation en gaz, répétez les opérations indiquées au paragraphe « 5. Vérification de l'absence de fuite » à la page 30.

IMPORTANT :

Une fois la conversion au gaz PROPANE/GPL complétée, apposez dans le tiroir, près de la plaque signalétique, l'étiquette de conversion fournie et apposez également une étiquette de conversion à la page 21 du présent manuel d'instructions.

Si les codes le permettent et qu'un fil de mise à la terre distinct est utilisé, il est recommandé qu'un électricien qualifié détermine que le trajet de mise à la terre est approprié.

Si vous n'êtes pas certain que la cuisinière est bien mise à la terre, consultez un électricien qualifié.

Ne mettez pas à la terre à un tuyau de gaz.

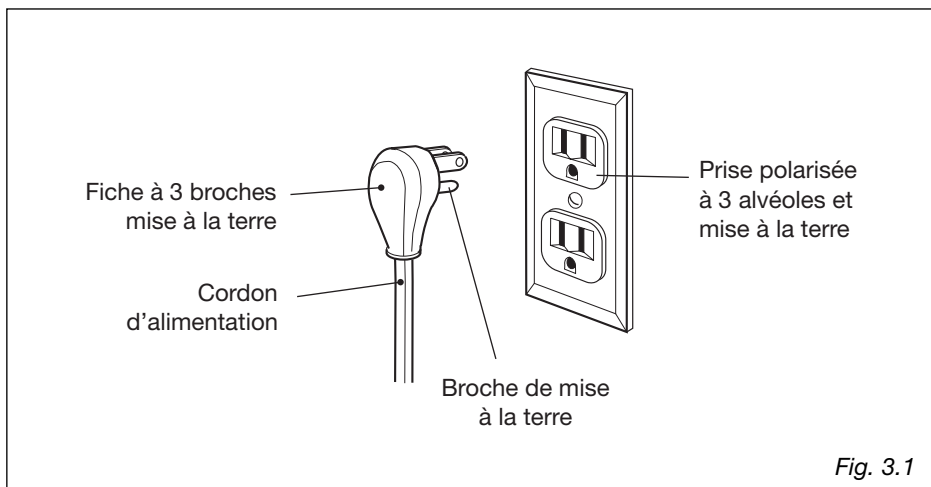
Une alimentation électrique fusionnée, en c.a. uniquement, de 15 ampères, 120 volts, 60 Hz est nécessaire. Un fusible temporisé ou un disjoncteur est recommandé. Il est recommandé qu'un circuit distinct, servant seulement à cet appareil, soit fourni.

La prise doit être vérifiée par un électricien qualifié pour s'assurer qu'elle est branchée avec la polarité appropriée.

Cet appareil, lors de son installation, doit être mis à la terre conformément aux codes locaux.

Méthode de mise à la terre recommandée

Pour votre sécurité, cette cuisinière doit être mise à la terre. Cette cuisinière est munie d'une fiche à trois broches (mise à la terre). Pour diminuer les risques de choc électrique le cordon doit être branché à une prise d'accouplement à 3 alvéoles mise à la terre conformément à la dernière édition du Code national de l'électricité ANSI/NFPA 70 et aux codes et règlements locaux. Si une prise d'accouplement n'est pas disponible, le client a la responsabilité et l'obligation personnelle de faire installer, par un électricien qualifié, une prise à trois alvéoles correctement polarisée et mise à la terre.



AVERTISSEMENT



Risque de choc électrique

Branchez dans une prise à 3 alvéoles.

Ne retirez pas la broche de mise à la terre.

N'utilisez pas d'adaptateur.

Le non-respect de ces instructions peut entraîner la mort, provoquer un incendie ou un choc électrique.

AVERTISSEMENT TRÈS IMPORTANT

Avant toute opération d'entretien, déconnectez l'appareil de l'alimentation électrique.

SCHÉMA DE CÂBLAGE

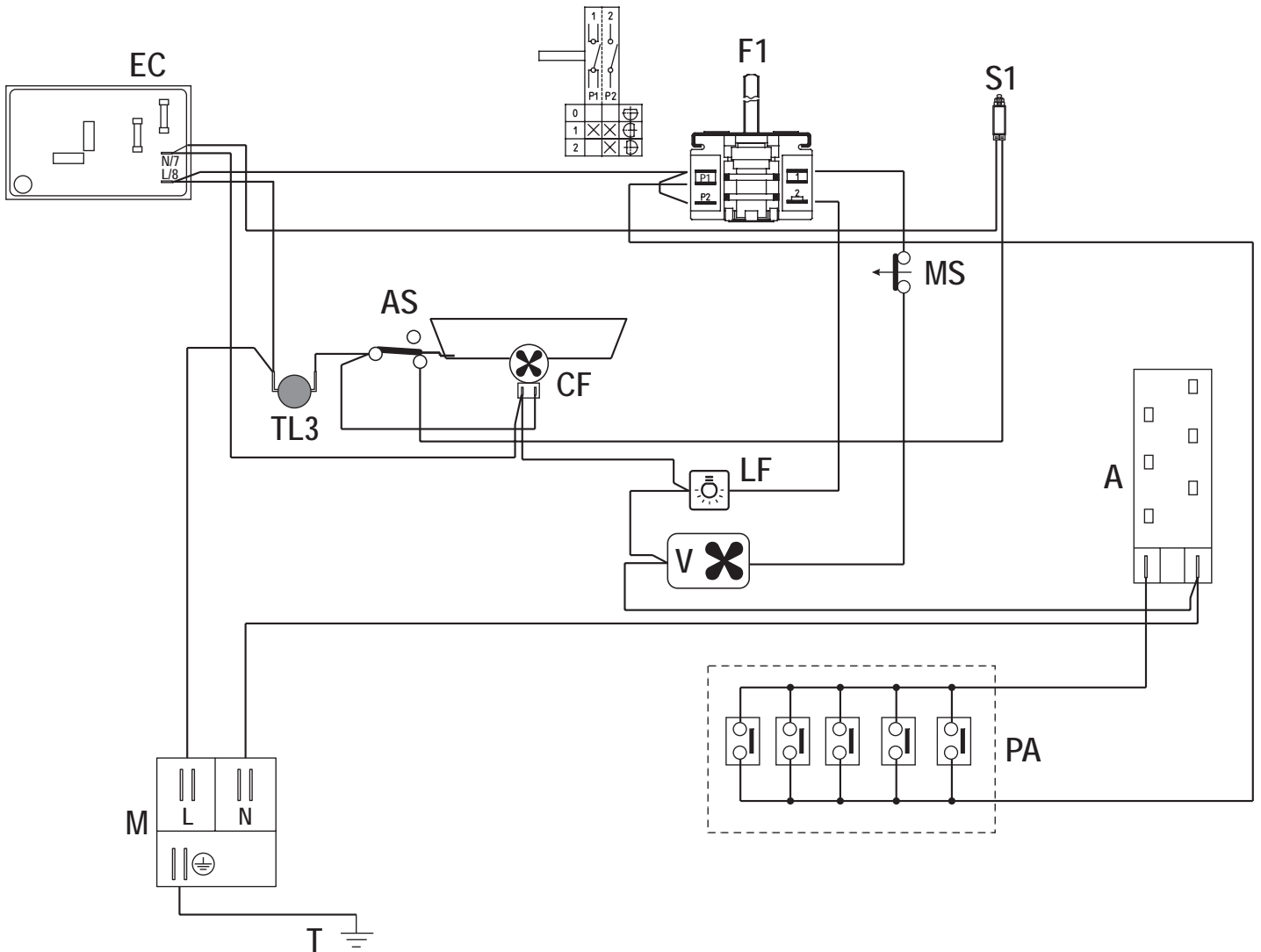


Fig. 3.2

LÉGENDE DU SCHÉMA DE CÂBLAGE

- F1 Interrupteur
- MS Microcontact de sécurité
- S1 Voyant de sécurité du ventilateur de refroidissement
- LF Lampe du four
- AS Interrupteur d'air
- V Ventilateur
- TL3 Rupteur thermique
- PA Groupe de contacteurs
- A Bobine d'allumage
- EC Horloge électronique
- CF Ventilateur de refroidissement
- M Bloc de raccordement
- T Mise à la terre

Copyright © Fisher & Paykel 2007. All rights reserved.

The product specifications in this booklet apply to the specific products and models described at the date of issue. Under our policy of continuous product improvement, these specifications may change at any time. You should therefore check with your Dealer to ensure this booklet correctly describes the product currently available.

Droits réservés © Fisher & Paykel 2007.

Les spécifications du produit contenues dans ce manuel s'appliquent aux modèles et produits spécifiques comme décrits à la date de publication. Dans le cadre de notre politique d'améliorations en permanence de nos produits, ces spécifications pourront être modifiées à tout moment. Nous vous recommandons de vérifier auprès de votre revendeur que ce manuel décrit le produit actuellement disponible.

www.usa.fisherpaykel.com

US CA

Freestanding range installation instructions

Published: 03/2007

Part No. 599400 A

Elba Part No. 1103000