

SPECS/DIMENSIONS

CIS365GB

36" INDUCTION COOKTOP WITH SENSOR DOME™

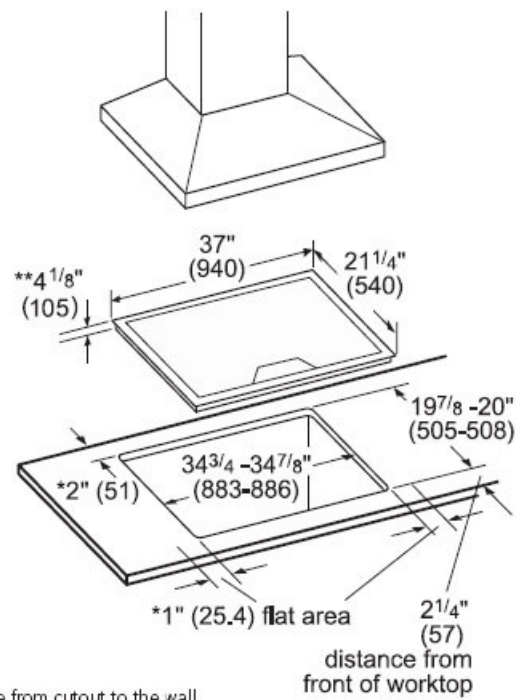
[Print](#)

UPC code	825225866442
Main color of product	Black
Energy source	Electric
Gas type	
Alternative gas type	
Watts (W)	10800
Current (A)	50
Volts (V)	208-240
Frequency (Hz)	60
Approval certificates	CSA
Power cord length (in)	37
Plug type	No plug
Required cutout size (HxWxD) (in)	4 3/8" x 34 3/4" x 19 7/8"
Minimum distance from counter front (in)	2 1/2"
Minimum distance from rear wall (in)	2 3/8"
Overall appliance dimensions (HxWxD) (in)	3/8"+4 3/8" x 37" x 21 1/4"
Product packaging dimensions (HxWxD) (in)	7.08 x 26.77 x 42.12
Net weight (lbs)	53
Gross weight (lbs)	63
Total number of cooktop burners	5
Knob Material	
Sealed Burners	No
Burners with booster	All
Type of grate	
Number of Single grates	
Number of Double grates	
Location of 1st heating element	front left
Dimension of 1st heating element (in)	7"
Power of 1st heating element (kW)	1.8
Location of 2nd heating element	back left
Dimension of 2nd heating element (in)	7"
Power of 2nd heating element (kW)	1.8
Location of 3rd heating element	middle back
Dimension of 3rd heating element (in)	11"; 13"; 9"
Power of 3rd heating element (kW)	2.2 ; 2.6 ; 3.3
Location of 4th heating element	back right
Dimension of 4th heating element (in)	6"
Power of 4th heating element (kW)	1.4
Location of 5th heating element	front right
Dimension of 5th heating element (in)	9"
Power of 5th heating element (kW)	2.2
Location of 6th heating element	
Dimension of 6th heating element (in)	
Power of 6th heating element (kW)	
Included accessories	
Optional accessories	
Construction type	
Number of gas burners	0

Number of electric cooking zones	5
Number of induction elements	5
SKU	CIS365GB
SERIES	

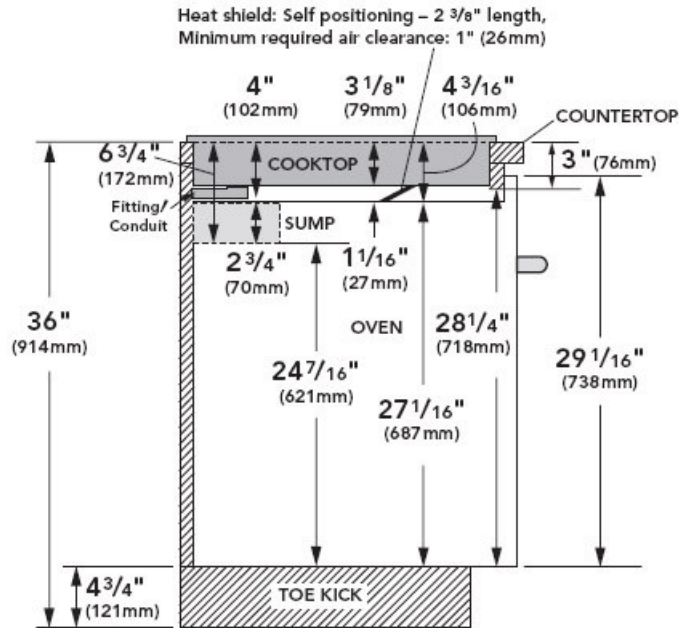
Diagrams

36-INCH



*Minimum distance from cutout to the wall
 **Recessed depth (includes 1" air clearance)
 Measurement in inches (mm in brackets)
Note: The work surface should be horizontal and level. The stability of the countertop should be confirmed even after making the cutout.

INSTALLATION ABOVE A THERMADOR BUILT-IN OVEN



Note: Dimensions based on standard countertop height (36" with 4 3/4" toe kick including base plate).

The built-in oven can be installed below the induction cooktop as long as there is an air clearance of 1" between the bottom of the cooktop and the top of the oven.

[Click Here to View Features](#)

Notes: All height, width and depth dimensions are shown in inches. *Represents wattage of PowerBoost® setting. Some localities may require a 40A circuit breakers for 30" cooktops and 50A circuit breaker for 36" cooktops. Refer to local building codes. **Please refer to installation instructions available on thermador.com, prior to making cutout. Countertop must be 26" wide overall for best fit. When the cabinet measures 24" front to back (outside dimensions), it must be positioned so the countertop has a 1" overhang. The countertop must have a 25" flat area so that no problems can occur with a backsplash. It is important to measure from the front edge of the countertop. All cutouts start at 2 1/2" from the front edge of the countertop. BSH reserves the absolute and unrestricted right to change product materials and specifications, at any time, without notice. Consult the product's installation instructions for final dimensional data and other details. Applicable product warranty can be found in accompanying product literature (or you may contact your account manager for further details).

Print

Close

Email