

# 30" *precision series*™ GRILLS



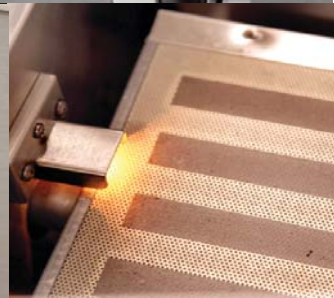
THE POWER OF PRECISION™

## CAPITAL RAISES THE BAR AGAIN (IN DESIGN AND INNOVATIONS)



### Unique Features of "Precision Series Barbecues"

- \* Hidden Rotisserie Motor for Clean Look
- \* Spring Assisted Lid for Easy Lift
- \* Unique "Hot Surface Ignition System" for Reliable Ignition
- \* Unique "Stainless Steel Encased Ceramic Rods" for Longer Life and Flareup Suppression
- \* 'Infra-Red' and Regular Burner Combination available
- \* Stainless Steel Channeled Grates for Grease Drainage
- \* Die-Cast Chrome Plated Knobs with Black Trims (red optional)
- \* Indicator lights on each burner



Unique  
"Stainless Steel  
Encased Ceramic Rods"  
For Longer Life and  
Flare-up Suppression

25,000 BTU  
stainless steel W-shaped  
Precision burners

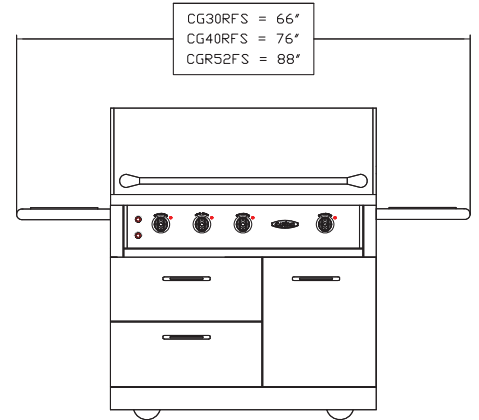
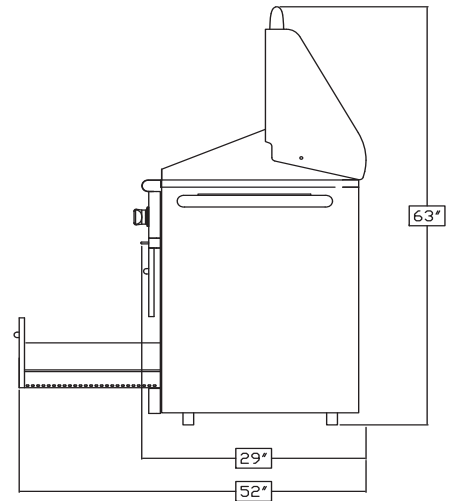
Stainless Steel Channeled  
Grates for Grease Drainage

Indicator Lights On Each Burner  
Die-Cast Chrome plated knobs  
with Black Trims (red optional) and  
elegant design stainless steel bezels

25,000 BTU  
Infrared-Zone burner

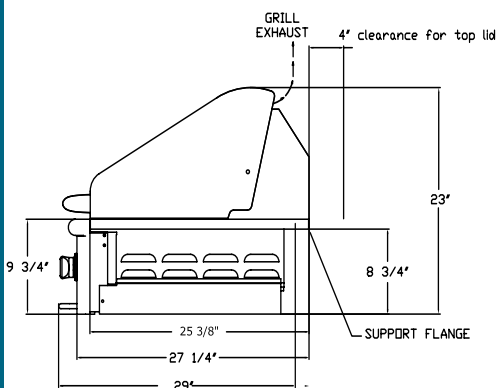
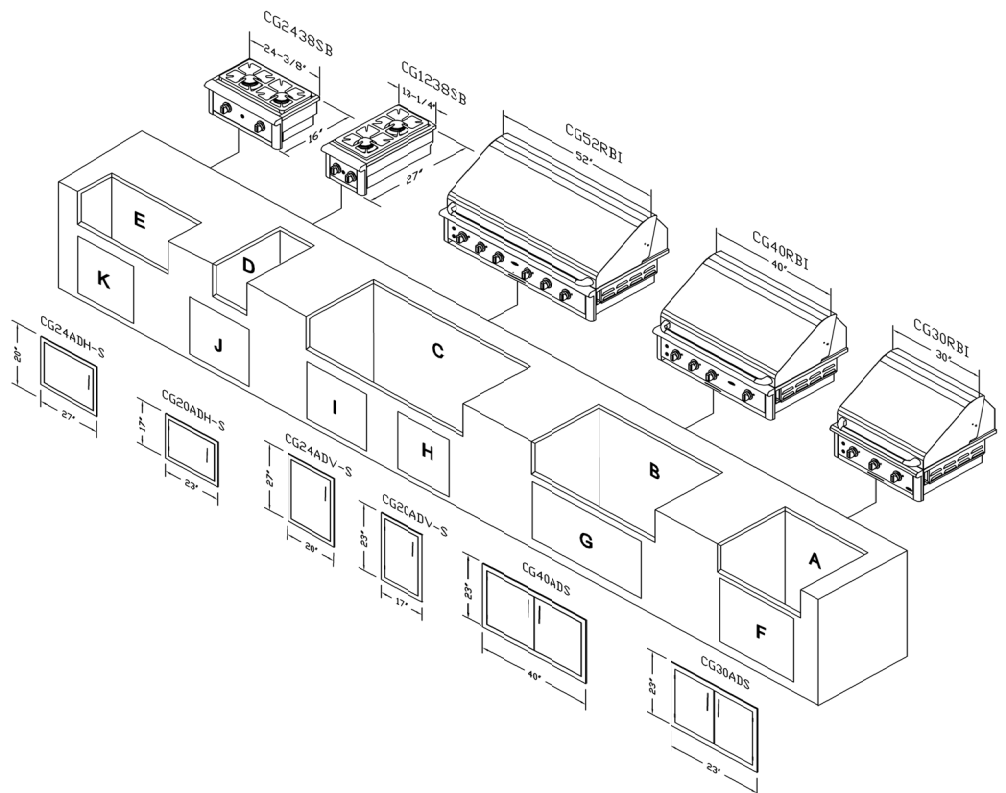
	BUILT IN MODELS			CART MODELS		
	CG30RBI	CG40RBI	CG52RBI	CG30RFS	CG40RFS	CG52RFS
COOKING AREA IN SQ.IN.	500	690	896	500	690	896
GRILL BURNERS BTUS RATE	25,000	25,000	25,000	25,000	25,000	25,000
INFRARED ZEAR-ZONE BTUS RATE	25,000	25,000	25,000	25,000	25,000	25,000
INFRARED ROTSSERIE BURNER	13,000	15,000	13,000	13,000	15,000	13,000
TOTAL BTUS	63,000	90,000	126,000	63,000	90,000	126,000
SHIPPING WEIGHT (lbs)	240	300	360	400	500	600
POWER NEEDS 15 amps	120V 60HZ	120V 60HZ	120V 60HZ	120V 60HZ	120V 60HZ	120V 60HZ

AVAILABLE ACCESSORIES	WARRANTY
<ul style="list-style-type: none"> <li>* SS Griddle Plate</li> <li>* Birch Wood Chopping Boards</li> <li>* SS Smoker Box</li> <li>* Vinyl Covers</li> <li>* Access Doors</li> <li>* Built In Side Burners</li> <li>* 24" Built In Wok</li> <li>* Conversion Kits LP and NG</li> </ul>	<p>ONE (1) year full parts and labor warranty covers entire product against manufacturing defects.</p> <p>TWO (2) years Limited warranty covers Radiant System and Infra-Red Burners.</p> <p>FIVE (5) years Limited warranty covers all stainless steel parts and stainless steel Grill Burner provided the grill is used under normal house-hold conditions.</p>
<ul style="list-style-type: none"> <li>* DO NOT build grilling island under combustible materials.</li> <li>* DO NOT leave a lit grill unattended.</li> <li>* For dor use only</li> <li>* Use only in ventilated areas.</li> </ul>	



### BUILT IN DIMENSIONS

CUT-OUT	HEIGHT	WIDTH	DEPTH
A	8-3/4"	28-1/2"	24-3/4"
B	8-3/4"	38-1/2"	24-3/4"
C	8-3/4"	50-1/2"	24-3/4"
D	8-3/4"	12-1/2"	24-1/16"
E	8-3/4"	23-5/8"	13"
F	20-1/4"	27-3/16"	N/A
G	20-1/4"	37-3/16"	N/A
H	20-3/8"	14-3/4"	N/A
I	24-3/8"	17-38"	N/A
J	14-3/8"	20-3/8"	N/A
K	17-3/8"	24-3/8"	N/A



Capital Cooking Equipment Inc.  
13211 Florence Ave.  
Santa Fe Springs CA 90670

Phone: 562 903-1168  
Toll Free: 866 402-4600  
email: customerservice@capital-cooking.com

Made in the U.S.A.  
Visit our web site: [www.capital-cooking.com](http://www.capital-cooking.com)