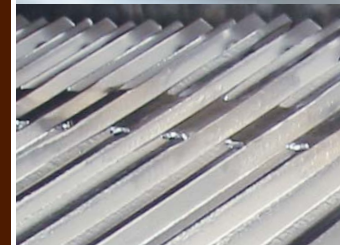


THE POWER OF
PERFORMANCE



PERFORMANCE SERIES™
OUTDOOR COLLECTION





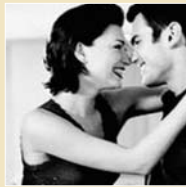
INFRARED ZONE

IGNITION



PERFORMANCE SERIES

BATTERY LOCATION



Welcome to Capital Cooking's outdoor collection.

Our products speak to the heart and mind, conveying the fact that emotion will always be at the center of our vision. Our high-end grills deliver the highest levels of control, power and grace in their category. They allow you to express untapped resources of creativity, freeing your imagination to invent, experiment and create joy. Discover how Capital's Performance Series™ transforms ordinary grilling into extraordinary living.

PERFORMANCE SERIES™



PSQ52RCSB

No matter how you define performance, it is simply **the art of living better.**



They're the flagship of Capital's grills, combining awe-inspiring power and control with breathtaking levels of sophistication. Featuring an exclusive sear-zone infrared burner, lights for nighttime cooking, and lifetime stainless steel burners. Also featuring flare-up reducing stainless steel grill racks with a grease management design, and our distinguished seamless body construction. With reinforced hoods and exclusive zone-cooking system, we created these grills to perform. Choose the 52" all-grill (shown), or the 52" w/ integrated side burners and you'll soon discover unbridled cooking pleasure.

the most commanding and
celebrated grills in the high-end category

THE 52" PERFORMANCE SERIES GRILLS: POWER UNLIKE ANY OTHER

52"

PSQ52RC

40"

Indulge your senses with our incomparable line of built-in products and accessories. Each Performance Series model can be built into masonry enclosures and outfitted with an array of complimentary products. With our double side burner, cocktail station, 24" power wok and smoker box, we have everything you need to transform your backyard paradise into the perfect outdoor kitchen.

your luxury outdoor kitchen awaits

THE BUILT-IN GRILL SERIES: VERSATILITY BEYOND COMPARISON



FUNCTION / FORM

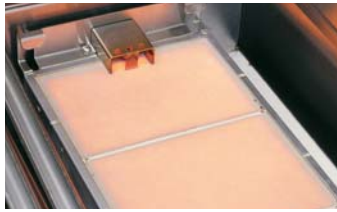


fig: 1



fig: 2



fig: 3



fig: 4



fig: 5



fig: 6



fig: 7

Function:

- 20 Watt built in lights
- Infrared-Zone™ burner at 25,000 BTUS w/ SS Zone Cover
- "W" Stainless steel burner at 25,000 BTUS
- 15,000 BTU infrared rotisserie burner
- 30,000 BTU total sealed double side burner w/ SS Cover
- Rapid-Fire™ electronic ignition (batteries required)
- Stainless steel wave shaped radiant system
- 50 LB capacity rotisserie motor
- Heavy duty cast stainless steel rotisserie forks

- Zone-Cooking™ allows optimization of cooking areas into zones for LO, MED, and HI settings
- Tru-Side™: Double-sided two position stainless steel channel grates minimize flare-ups and manage grease flow.
- Double lined hood minimizes discoloration and warping
- Cart storage drawers on easy glides for smooth operation
- Trays within a tray drip pan system for easier grease management
- Collapsible side tray shelves
- Removable warming rack

Form:

- Finest 304 Stainless Steel in elegant brush finish
- All seamless construction means no sharp corners
- Chrome plated knobs, bezels, handle end caps, and cart handles
- Accent stripes on lid
- Lid handle with knurling
- Rounded bull-nose, cart drawers and side shelves
- Hidden casters

- fig: 1 25,000 BTU "Infrared-Zone" burner
- fig: 2 25,000 BTU "W" shaped SS Performance burner
- fig: 3 15,000 BTU Flush mounted infrared rotisserie burner
- fig: 4 30,000 BTU Total sealed double side burner
- fig: 5 20 Watt integrated lights
- fig: 6 Tru-Side™ SS grates with grease channeling design
- fig: 7 Seamless construction

Built-In Models



52" Performance Built-In Gas Grill
PSQ52RBI



52" Performance Built-In Gas Grill
PSQ52RSBI



40" Performance Built-In Gas Grill
PSQ40RBI



30" Performance Built-In Gas Grill
PSQ30ZRBI, PSQ30RBI

Cart Style



52" Performance Gas Grill
PSQ52RC



52" Performance Gas Grill
PSQ52RCSB



40" Performance Gas Grill
PSQ40RC



30" Performance Gas Grill
PSQ30ZRC, PSQ30RC

COMPLEMENTS

BURNER

Create your own style!

For special sauces and special memories, choose our stylish and powerful double side burner. Like every item we create it transforms ordinary cooking into something extraordinary. With style, power, efficiency and control you'll sauté and sear, boil and simmer like a true professional.

Features:

- 304 Stainless Steel construction
- Two 15,000 BTU sealed burners
- Electronic ignition (batteries required)
- Cast-iron top grate w/ matte porcelain finish
- Rounded bullnose
- Chrome plated knobs and bezels
- Stainless Steel cover included

Note:

- Available in LP or Natural Gas
- For combustible enclosures please use an insulated jacket

Accessories:

- PSQSB2VCBI Vinyl Cover
- PSQSB2IJS Double Side Burner Insulated Jacket
- Conversion Kits From LP to NG or NG to LP



30,000 BTU Double Side Burner
PSQSB2000

POWER-WOK



24" Power-Wok at 35,000 BTU
PSQ24WK

COOLER



26" Stainless Steel Cooler
26CLRBI

Features:

- 304 stainless steel construction in elegant brush finish
- Insulated lid and body
- Removable internal condiment section with four trays
- Drainage plug
- Rounded bull-nose to match Performance Series grills
- Wide mouth front cavity for additional storage

Accessories:

- Vinyl Cover

ACCESSORIES

ACCESS DOORS/DRAWER SYSTEMS



20x40
PSQ40ADS



20x30
PSQ30ADS



24" High LP/Trash Drawer
CCEPD24SS



17x24
PSQ24ADVS



14x20
PSQ20ADVS



30" Wide Cooler Drawer w/ 48 Quart Cooler
CCECD30SS



1 Drawer SS Built in System
CCE1DRWSS



2 Drawer SS Built in System
CCE2DRWSS



3 Drawer SS Built in System
CCE3DRWSS

CHOPPING BLOCK/SMOKER BOX

Because form should never follow function, our grilling accessories raise the bar in terms of beauty and functionality. Every detail is carefully considered, every curve and line a statement of great design.



Chopping Block
PSQ-CHBX



Smoker Box
PSQ-SBX

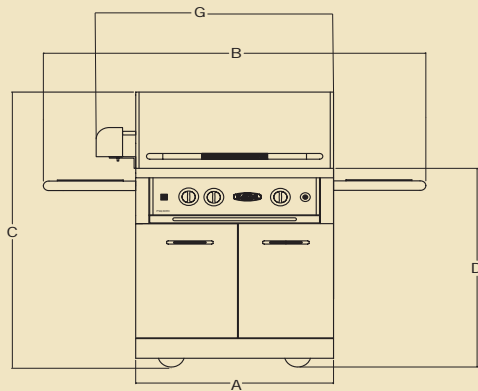
See your authorized dealer for details.

SPECIFICATIONS

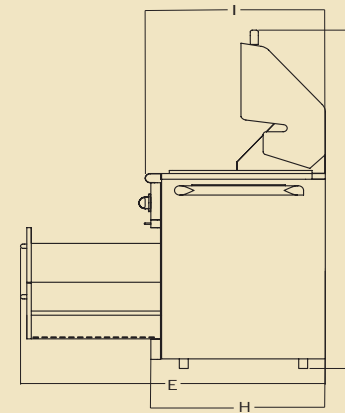
CART MODEL		COOKING AREA IN SQ. IN	A	B	C	D	E	F	G	H	I
PSQ52RC	52" all-grill w/rotiss + 3 SS burners + 1 sear-zone + lights + cart	896	52	88	49	36	52	63	59	28	28.25
PSQ52RCSB	52" grill w/rotiss + 2 SS burners + 1 sear-zone + lights +side burners + cart	690	52	88	49	36	52	63	47	28	28.25
PSQ40RC	40" w/rotiss + 2 SS burners + 1 sear-zone + lights + cart	690	40	76	49	36	52	63	47	28	28.25
PSQ30ZRC	30" grill w/rotiss + 1 SS burner + 1 sear-zone + lights + cart	500	30	66	49	36	52	63	37	28	28.25
PSQ30RC	30" grill w/rotiss + 2 SS burners + lights + cart	500	30	66	49	36	52	63	37	28	28.25
PSQ30XRC	30" grill w/rotiss + 2 SS burners + lights + cart w/ single access door and 1 shelf	CALL FOR DETAILED SPECS: 1-866-402-4600									

BUILT IN MODEL		COOKING AREA IN SQ. IN	A	B	C	D	E	F	G	H	I
PSQ52RBI	52" built in all-grill w/rotiss + 3 SS burners + 1 sear-zone + lights	896	52	88	49	N/A	N/A	N/A	59	N/A	28.25
PSQ52RSBI	52" built in grill w/rotiss + 2 SS burners + 1 sear-zone + lights + side burners	690	52	88	49	N/A	N/A	N/A	47	N/A	28.25
PSQ40RBI	40" built in grill w/rotiss + 2 SS burners + 1 sear-zone + lights	690	40	76	49	N/A	N/A	N/A	47	N/A	28.25
PSQ30ZRBI	30" built in grill w/rotiss + 1 SS burner + 1 sear-zone + lights	500	30	66	49	N/A	N/A	N/A	37	N/A	28.25
PSQ30RBI	30" built in grill w/rotiss + 2 SS burners + lights	500	30	66	49	N/A	N/A	N/A	37	N/A	28.25

• Capital will produce non-rotisserie versions of the 30" grills only as special order items. Longer lead times will apply.



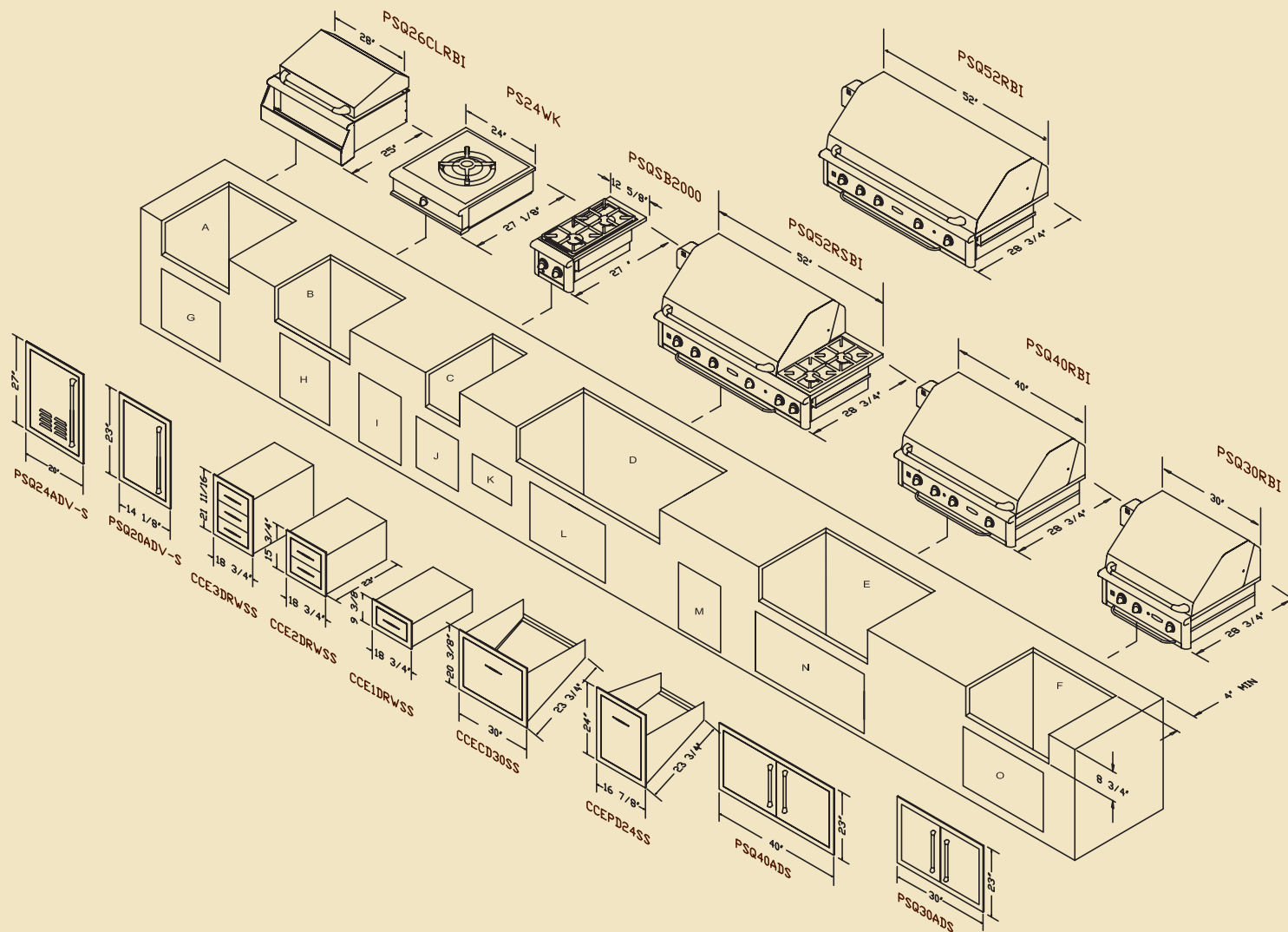
PSQ30RC Front



PSQ30RC Side

BUILT-IN DIMENSIONS

CUTOUT	A	B	C	D	E	F	G	H	I	J	K	L	M	N	O
HEIGHT	10"	7-1/2"	8-3/4"	8-3/4"	8-3/4"	8-3/4"	24-3/8"	20-3/8"	19"	13"	6-13/16"	17-1/2"	21-1/4"	20-1/4"	20-1/4"
WIDTH	26-3/4"	23"	11"	50-1/2"	38-1/2"	28-1/2"	17-3/8"	14-3/8"	16"	16"	16"	27-1/2"	14-1/4"	37-3/16"	27-3/16"
DEPTH	19-1/2"	23-1/8"	24-3/4"	24-3/4"	24-3/4"	24-3/4"	N/A	N/A	N/A	N/A	N/A	N/A	N/A	N/A	N/A





We fashion our products by selecting the highest quality stainless steel, the most reliable components, and handcrafting each grill one at a time. Every item we create reflects the utmost standards of engineering excellence and craftsmanship. It's the reason why our products are more durable, more proficient and in a class all their own.

the performance series family:
form and function like none other.



PSQ30RC



Unlike any other grill, the Performance Series speaks to the essence of pure outdoor entertaining. We welcome you to our family, where the joy of improving the quality of your culinary life is our number one priority.

differences you can see, touch, taste and feel.



THE POWER OF PERFORMANCE™

Toll Free: 866.402.4600
www.capital-cooking.com

WARRANTY:
Capital provides a limited lifetime warranty against rust on all 304 stainless steel components.

One Year Full Warranty (parts and labor) covers the entire product, and a 5 Year Warranty on infrared burners.

Due to ongoing product improvements, these specifications may change without notice.

Please check with your local dealer for a complete line of Capital Performance Series Accessories.

Made in the U.S.A.

87066-08

VIII

© 2006 Capital Cooking Equipment, Inc.