

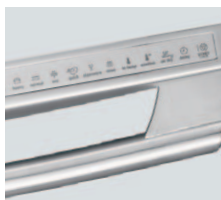
Dishwashers

EIDW5905J S, EIDW5905J W, EIDW5905J B



Luxury-Quiet™ Dishwasher¹

So quiet you can run it whenever you want and no one will notice. Tested to 50 dBA sound level.



IQ-Touch™ Controls

For those who like to have their options always visible on the IQ-Touch™ control panel.



Luxury-Dry™ System

Uses a high-efficiency fan for outstanding drying results.



Luxury-Glide® Racks

With our Luxury-Glide® technology, upper and lower racks are so smooth they extend effortlessly.

24" BUILT-IN DISHWASHERS

Features

Stainless Steel Interior	Yes
Signature Soft-Arc Door and Handle Design	Yes
Luxury-Hold™ Door	Yes
IQ-Touch™ Electronic Controls	Yes
Fully Integrated Control Panel	Yes
Tall Tub Design	Yes
Smart Soil Sensor	Yes
Luxury-Quiet™ Sound Package	Yes
Sound Level	50dB
Wash Levels	5
AquaLux™ Wash System	Yes
Luxury-Dry™ System	Yes
Adjustable Rinse Aid Dispenser with Indicator	Yes
ENERGY STAR®	Yes

Cycles

Auto Wash	Yes
Heavy	Yes
Normal	Yes
Favorite	
Quick	Yes
Rinse Only	Yes

Options

Hi-Temp. Wash	Yes
Air Dry	Yes
NSF® Certified Sanitize Option	Yes
Delay Start (Hours)	2, 4, 6

Rack System

Nylon Rack System	Yes
Luxury-Glide® Nylon Upper Rack –	
Adjustable Height	Yes
Cup Shelf/Stemware Holder	2/Yes
Fold-Down Tines	2 Rows
Rack Handle	Yes
Luxury-Glide® Nylon Lower Rack –	
Fold-Down Tines	2 Rows
Silverware Basket	3-Piece Split

Specifications

Color –	
Stainless Steel	S
White	W
Black	B
Product Dimensions –	
Height (Adjustable*)	33-7/8" – 34-7/8"
Width	23-3/4"
Depth (to Center of Arc) (with 90° Door Open)	24-5/8" 49-7/8"
Power Supply/Water Inlet Location	Right Bottom Front
Leveling Legs	Yes
Water Usage (Gallons) – Normal Cycle	4.9 – 8.5
Water Pressure (PSI)	15 – 120
Integral Air Gap on Supply	Yes
Voltage Rating	120V/60Hz/15A
Connected Load (kW Rating) @ 120 Volts [‡]	1.44
Amps @ 120 Volts	9
Shipping Weight (Approx.)	91 Lbs.

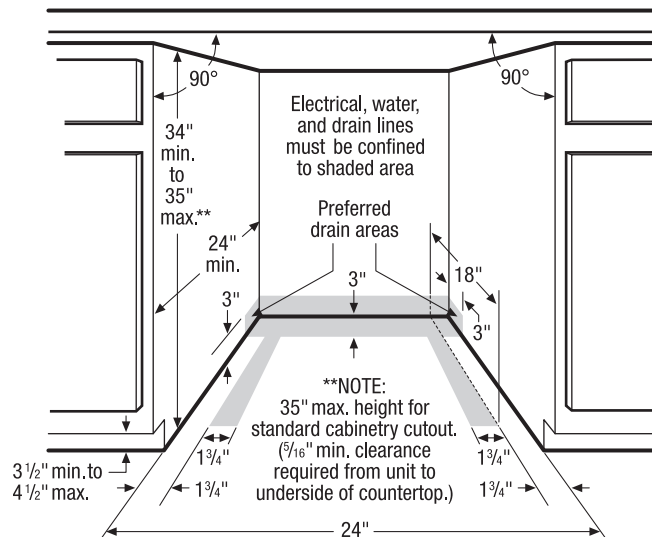
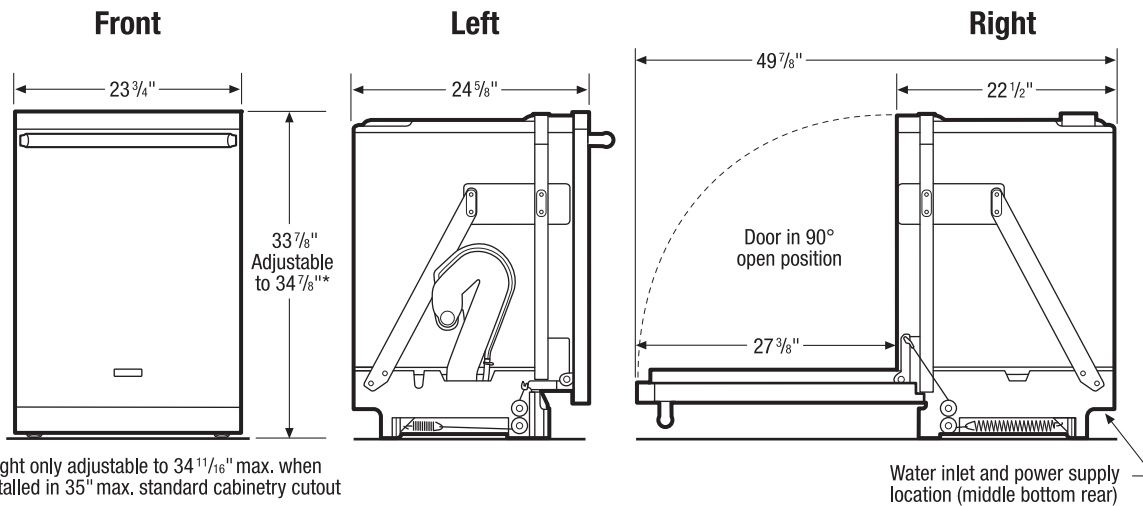
*Height only adjustable to 34-11/16" max. when installed in 35" max. standard cabinetry cutout to allow for 5/16" min. clearance.

[‡]For use on adequately wired 120V, dedicated circuit having 2-wire service with a separate ground wire. Appliance must be grounded for safe operation.

NOTE: Always consult local and national electric & plumbing codes. Meets requirements of ASSE 1006. Refer to Product Installation Guide for detailed installation instructions on the web at www.electroluxappliances.com.

Specifications subject to change.

¹Available on select models.



Built-In Dishwasher Specifications

- Product Weight – 75 Lbs.
- Voltage Rating – 120V/60Hz/15 Amps
- Connected Load (kW Rating) @ 120 Volts = 1.44kW (For use on adequately wired 120V, dedicated circuit having 2-wire service with a separate ground wire. Appliance must be grounded for safe operation.)
- Amps @ 120V = 9 Amps
- Always consult local and national electric & plumbing codes. Meets requirements of ASSE 1006.
- Water Pressure – Hot water line to dishwasher must provide between 15 and 120 pounds per square inch (psi).
- Make sure location has right drain, water and electrical outlets to make connections.
- Keep back free of drain, water & electrical supply.
- Electrical and water supplies should enter cabinet opening on floor, or through back or side walls, as shown in shaded areas.

- Connections preferably located toward left side of dishwasher. Do not cross drain, water or electrical lines in front of motor, blower or frame.
- Minimum clearance of 5/16" required from unit to underside of countertop.
- Leveling legs supplied to adjust height. (Note: Height only adjustable to 34-11/16" max. when installed in 35" max. standard cabinetry cutout to allow for 5/16" min. clearance.)
- When installing adjacent to wall, cabinet or other obstruction that extends beyond front edge of unit, allow 2" minimum clearance between opened door and obstruction.
- When installing at end of cabinet line, sides must be fully enclosed.
- Do not install unit under a cooktop, damage may occur.

Note: For planning purposes only. Refer to Product Installation Guide on the web at electroluxappliances.com for detailed instructions.

Electrolux Major Appliances, N.A.

USA • 250 Bobby Jones Expressway • Augusta, GA 30907 • 1-877-4electrolux (1-877-435-3287) • electroluxappliances.com
 CANADA • 5855 Terry Fox Way • Mississauga, ON L5V 3E4 • 1-800-265-8352 • electroluxappliances.ca