

ISLAND VENTHOODS

52" Island Venthood (as shown) | IVS40, IVS52



PROFESSIONAL CHEFS DEMAND PERFORMANCE WHEN THEY COOK. SO SHOULD YOU. BECAUSE OF OUR UNIQUE HERITAGE IN MANUFACTURING BOTH COMMERCIAL AND RESIDENTIAL APPLIANCES, WE HAVE EXPERIENCE IN CREATING PRODUCTS THAT DELIVER EXCEPTIONAL PERFORMANCE.

OUR TIRELESS PURSUIT OF PROFESSIONAL PERFORMANCE HAS LEAD TO SEVERAL UNIQUE FEATURES, MANY OF WHICH YOU WILL NOT FIND ON OTHER RESIDENTIAL KITCHEN APPLIANCES.

TRUE VENTILATION: Professional chefs need powerful ventilation when cooking. Our Vent Hood system eliminates unwanted grease, smoke and odors instantly, allowing you to get on with the business at hand without worrying about driving your guests out of the kitchen.

That means a more enjoyable cooking experience.

We encourage you to find out more about these features and learn how they could make you a better cook by visiting our learning page at: www.dcsappliances.com.



VENTHOODS

MODEL NUMBER	IVS40	IVS52
CFM RATING	1200	1200
MAXIMUM DUCT LENGTH	40 FT. TOTAL	40 FT. TOTAL
REQUIRED DUCT SIZE (Diameter)	10" Ø	10" Ø
SONES RATING	11	11
SHIPPING DIMS (L x W x H)	47" x 40" x 21"	58" x 40" x 21"
SHIPPING WEIGHTS (lb)	144	188

Power Requirements:

- ▶ 120V 60Hz
- ▶ 3 wire 15 amp circuit

Standard Features:

- ▶ 2 level halogen lighting (50 watts, 120V)
- ▶ Duct transition included
- ▶ Inline damper included
- ▶ 4 level exhaust control
- ▶ Stainless steel baffle filters and grease trays

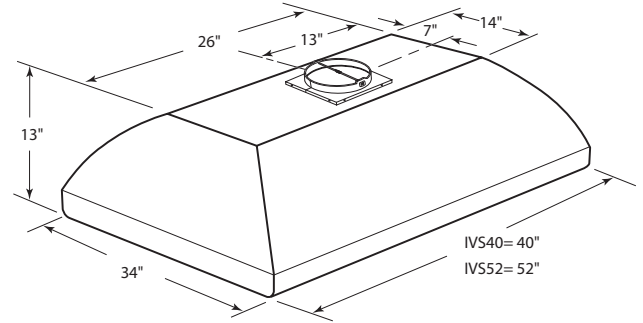
Recommended Accessories:

- ▶ IVCK – Island Venthood Chimney Kit (includes outer full width stainless steel duct cover and inner mounting structure) designed for use with ceiling height between 8-1/2 feet to 10 feet. A custom installation is required for installations outside this range.

Warranty

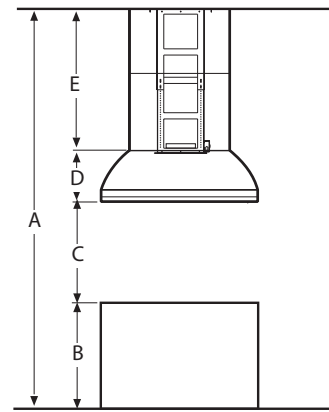
All Venthoods are covered by a one (1) year comprehensive parts and labor warranty. In addition, a five (5) year limited parts warranty covers specific parts that vary by model. Please see the product Use and Care Manual for the specified parts covered under this warranty. A lifetime warranty covers all stainless steel components against manufacture related defects. This excludes discoloration or surface corrosion, scratches resulting from improper use and care. Please refer to product Use and Care Manual for proper care and maintenance.

Product Dimensions:

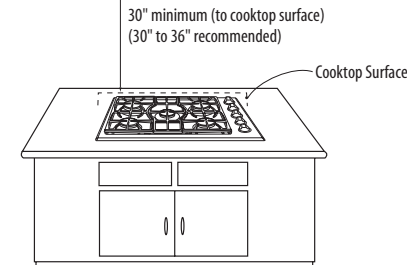
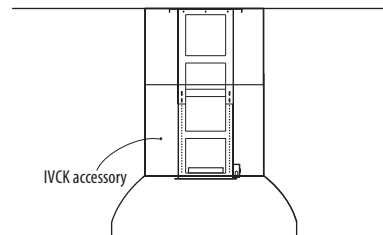


PLANNING YOUR INSTALLATION

Cabinet Preparation:



- A = Ceiling Height
- B = Cooking Surface (36" standard)
- C = Hood Installation Height, bottom of hood to top of counter 30" to 36" recommended
- D = Canopy Height (13")
- E = 24-1/2" to 36" (adjustable chimney structure height)



A Fisher & Paykel Appliances, Inc. Company



Because of continuing product improvement these specifications are subject to change without notice.

For more information on our complete line of residential kitchen appliances or to find out more about our outdoor product line, please call 1.800.433.8466 or visit www.dcsappliances.com.

©2005 Fisher & Paykel Appliances, Inc.
5900 Skylab Road, Huntington Beach, CA 92647

P/N 17847 REV. A 01/05