



PERFECT HEAT.

CONVECTION MICROWAVE OVEN

Installation/Use and Care Guide



MODEL:
CMO24SS



A MESSAGE TO OUR CUSTOMERS

Thank you for selecting this DCS Convection Microwave Oven. Because of this appliance's unique features we have developed this Use and Care Guide. It contains valuable information on how to properly operate and maintain your new appliance for years of safe and enjoyable cooking.

To help serve you better, please fill out and return the Ownership Registration Card and keep this Guide handy, as it will help answer questions that may arise as you use your new appliance.

For your convenience, product questions can be answered by a DCS Customer Service Representative by phone: 1-888-281-5698, Fax: 714-372-7004, email: support@dcsappliances.com, or by mail:

DCS
Attention: Customer Care Center
5800 Skylab Road
Huntington Beach, CA 92647

www.dcsappliances.com

PRECAUTIONS TO AVOID POSSIBLE EXPOSURE TO EXCESSIVE MICROWAVE ENERGY

- ***Do not attempt to operate this microwave oven with the door open since open-door operation can result in harmful exposure to microwave energy. It is important not to defeat or tamper with the safety interlocks***
- ***Do not place any object between the microwave oven front face and the door or allow soil or cleaner residue to accumulate on sealing surfaces.***
- ***Do not operate the microwave oven if it is damaged. It is particularly important that the microwave oven door close properly and that there is no damage to the: (1) door (bent), (2) hinges and latches (broken or loosened), (3) door seals and sealing surfaces.***
- ***The microwave oven should not be adjusted or repaired by anyone except properly qualified service personnel.***

PLEASE RETAIN THIS MANUAL FOR FUTURE REFERENCE.

TABLE OF CONTENTS

Precautions to Avoid Possible Exposure to Excessive Microwave Energy	2	Convection Automatic Operation 29-31	
Important Safety Instructions ...	4	Auto Broil	29
Installation Instructions	6	Auto Roast	30
Grounding Instructions	7	Auto Bake	31
Information You Need to Know ..	8-13	Manual Convection and Automatic Mix Cooking	32-47
About Your Microwave Oven	8	Convection Cooking	32-36
About Children and the Microwave	8	Broil	36-37
About Microwave Cooking	8-9	Slow Cook	37-40
About Food	9	Automatic Mix Cooking	40-47
About Utensils and Coverings	10-13	Other Convenient Features	48-50
About Safety	13	Multiple Sequence Cooking	48
Part Names	14-15	More or Less Time Adjustment	48
Before Operating	16	Extra Minute	48
To Set the Clock	16	Help Menu	48-49
Stop/Clear	16	Kitchen Timer	50
Manual Operation	17	Start	50
Time Cooking	17	Help (Display indicator)	50
To Set Power Level	17	Demonstration Mode	50
Manual Defrost	17	Cleaning and Care	50-51
Microwave Features	18-28	Specifications	52
Microwave Cooking Principles	18	Service Call Check	53
Defrosting Frozen Foods	18-19	Warranty	54
Reheating	19-23		
Defrost	24		
Sensor Reheat	25-26		
Popcorn	26		
Sensor Cook	26-28		

IMPORTANT SAFETY INSTRUCTIONS

When using electrical appliances basic safety precautions should be followed, including the following:

WARNING - To reduce the risk of burns, electric shock, fire, injury to persons or exposure to excessive microwave energy:

1. Read all instructions before using the appliance.
2. Read and follow the specific "PRECAUTIONS TO AVOID POSSIBLE EXPOSURE TO EXCESSIVE MICROWAVE ENERGY" on page 2.
3. This appliance must be grounded. Connect only to properly grounded outlet. See "GROUNDING INSTRUCTIONS" on page 7.
4. Install or locate this appliance only in accordance with the provided installation instructions.
5. Some products such as whole eggs and sealed containers—for example, closed glass jars—are able to explode and should not be heated in this microwave oven.
6. Use this appliance only for its intended use as described in this manual. Do not use corrosive chemicals or vapors in this appliance. This type of microwave oven is specifically designed to heat, cook or dry food. It is not designed for industrial or laboratory use.
7. As with any appliance, close supervision is necessary when used by children.
8. Do not operate this appliance if it has a damaged cord or plug, if it is not working properly or if it has been damaged or dropped.
9. This appliance should be serviced only by qualified service personnel. Contact nearest DCS Authorized Servicer for examination, repair or adjustment.
10. Do not cover or block any openings on the appliance.
11. Do not store or use this appliance outdoors. Do not use this product near water—for example, near a kitchen sink, in a wet basement or near a swimming pool, or similar locations.
12. Do not immerse cord or plug in water.
13. Keep cord away from heated surfaces.
14. Do not let cord hang over edge of table or counter.
15. See door surface cleaning instructions on page 50.
16. To reduce the risk of fire in the microwave oven cavity:
 - a. Do not overcook food. Carefully attend appliance when paper, plastic or other combustible materials are placed inside the microwave oven to facilitate cooking.
 - b. Remove wire twist-ties from paper or plastic bags before placing bag in microwave oven.
 - c. If materials inside the microwave oven should ignite, keep microwave oven door closed, turn microwave oven off and disconnect the power cord or shut off power at the fuse or circuit breaker panel.
 - d. Do not use the cavity for storage purposes. Do not leave paper products, cooking utensils or food in the cavity when not in use.

IMPORTANT SAFETY INSTRUCTIONS

17. Liquids, such as water, coffee or tea are able to be overheated beyond the boiling point without appearing to be boiling. Visible bubbling or boiling when the container is removed from the microwave oven is not always present. THIS COULD RESULT IN VERY HOT LIQUIDS SUDDENLY BOILING OVER WHEN A SPOON OR OTHER UTENSIL IS INSERTED INTO THE LIQUID.

To reduce the risk of injury to persons:

- a. Do not overheat the liquid.
- b. Stir the liquid both before and halfway through heating it.
- c. Do not use straight-sided containers with narrow necks. Use a wide-mouthed container.
- d. After heating, allow the container to stand in the microwave oven at least for 20 seconds before removing the container.
- e. Use extreme care when inserting a spoon or other utensil into the container.

18. If the microwave oven is installed as a built-in, observe the following instructions:

- a. Do not mount over a sink.
- b. Do not store anything directly on top of the appliance surface when the appliance is in operation.

19. If the microwave oven light fails, consult a DCS AUTHORIZED SERVICER.

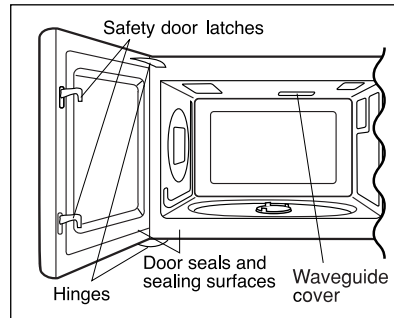
SAVE THESE INSTRUCTIONS

INSTALLATION INSTRUCTIONS

UNPACKING AND EXAMINING YOUR MICROWAVE OVEN

Remove all packing materials from inside the microwave oven cavity; however, DO NOT REMOVE THE WAVEGUIDE COVER, which is located on the top cavity wall. Read enclosures and SAVE this Installation/Use and Care Guide.

Check the microwave oven for any damage, such as misaligned or bent door, damaged door seals and sealing surfaces, broken or loose door hinges and latches and dents inside the cavity or on the door. If there is any damage, do not operate the microwave oven and contact your dealer or DCS AUTHORIZED SERVICER.



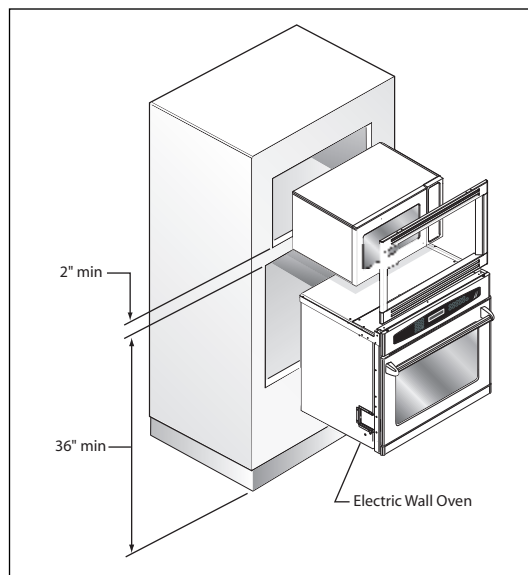
CHOOSING A LOCATION FOR YOUR MICROWAVE OVEN

You will use your oven frequently so plan its location for ease of use. Allow at least 2 inches on the sides, top and at the rear of the oven for air circulation.

Your oven can be built into a cabinet or wall by itself or above any DCS wall oven using DCS's Built-in Trim Kit listed below. It cannot be built in above conventional gas or electric ranges or any other wall ovens.

DCS Built-in Trim Kit: CMOSTK27, CMOSTK30

DCS Wall Ovens: WO-127, WO-130, WOS-127, WOS-130



GROUNDING INSTRUCTIONS

This appliance must be grounded. This microwave oven is equipped with a cord having a grounding wire with a grounding plug. It must be plugged into a wall receptacle that is properly installed and grounded in accordance with the National Electrical Code and local codes and ordinances. In the event of an electrical short circuit, grounding reduces risk of electric shock by providing an escape wire for the electric current.

Warning – Improper use of the grounding plug can result in a risk of electric shock.

ELECTRICAL REQUIREMENTS

The electrical requirements are a 120 volt 60 Hz, AC only, 15 amp or more protected electrical supply. It is recommended that a separate circuit serving only this appliance be provided.

The microwave oven is equipped with a 3-prong grounding plug. It must be plugged into a wall receptacle that is properly installed and grounded. Should you only have a 2-prong outlet, have a qualified electrician install a correct wall receptacle.

A 3-prong adapter may be purchased and used temporarily if local codes allow. Follow package directions.

A short power-supply cord is provided to reduce risk of becoming entangled in or tripping over a longer cord.

EXTENSION CORD

If it is necessary to use an extension cord, use only a 3-wire extension cord that has a 3-blade grounding plug and a 3-slot receptacle that will accept the plug on the microwave oven. The marked rating of the extension cord should be AC 115-120 volt, 15 amp or more.

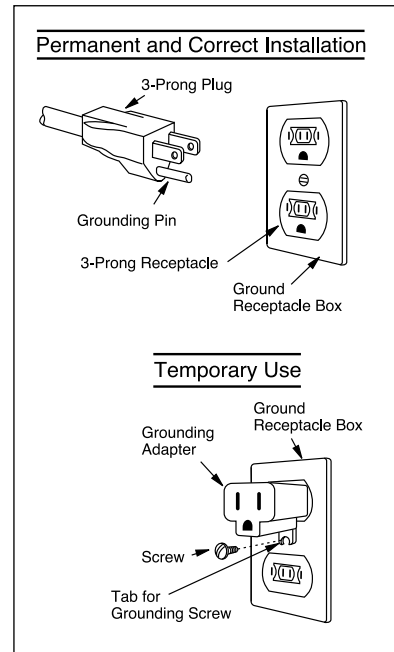
Be careful not to drape the cord over the countertop or table where it can be pulled on by children or tripped over accidentally.

Notes:

1. If you have any questions about the grounding or electrical instructions, consult a qualified electrician or service person.
2. Neither DCS nor the dealer can accept any liability for damage to the microwave oven or personal injury resulting from failure to observe the correct electrical connection procedures.

RADIO OR TV INTERFERENCE

Should there be any interference caused by the microwave oven to your radio or TV, check that the microwave oven is on a different electrical circuit, relocate the radio or TV as far away from the microwave oven as feasible or check position and signal of receiving antenna.



INFORMATION YOU NEED TO KNOW

ABOUT YOUR MICROWAVE OVEN

This Installation/Use and Care Guide is valuable: read it carefully and always save it for reference.

A good microwave cookbook is a valuable asset. Check it for microwave cooking principles, techniques, hints and recipes.

NEVER use the microwave oven without the turntable and support nor turn the turntable over so that a large dish could be placed in the microwave oven. The turntable will turn both clockwise and counterclockwise.

ALWAYS have food in the microwave oven when it is on to absorb the microwave energy.

When using the oven at power levels below 100%, you may hear the magnetron cycling on and off.

Condensation is a normal part of microwave cooking. Room humidity and the moisture in food will influence the amount of moisture that condenses in the oven. Generally, covered foods will not cause as much condensation as uncovered ones. Vents on the oven back must not be blocked.

After using convection, automatic mix or broil, you will hear the sound of the cooling fan. The fan may continue to operate as long as 5 minutes, depending on the oven temperature.

Be aware that, unlike microwave-only ovens, convection microwave ovens have a tendency to become hot during convection, automatic mix and broil cooking.

The oven is for food preparation only. It should not be used to dry clothes or newspapers.

Your oven is rated 900 watts using the IEC Test Procedure. In using recipes or package directions, check food at the minimum time and add time accordingly.

ABOUT MICROWAVE COOKING

- Arrange food carefully. Place thickest areas towards outside of dish.
- Watch cooking time. Cook for the shortest amount of time indicated and add more as needed. Food severely overcooked can smoke or ignite.
- Cover foods while cooking. Check recipe or cookbook for suggestions: - paper towels, wax paper, microwave plastic wrap or a lid. Covers prevent spattering and help foods to cook evenly.
- Shield with small flat pieces of aluminum foil any thin areas of meat or poultry to prevent overcooking before dense, thick areas are cooked thoroughly.
- Stir foods from outside to center of dish once or twice during cooking, if possible.
- Turn foods over once during microwaving to speed cooking of such foods as chicken and hamburgers. Large items like roasts must be turned over at least once.
- Rearrange foods such as meatballs halfway through cooking both from top to bottom and from the center of the dish to the outside.
- Add standing time. Remove food from microwave oven and stir, if possible. Cover for standing time which allows the food to finish cooking without overcooking.
- Check for doneness. Look for signs indicating that cooking temperatures have been reached.

Doneness signs include:

- Food steams throughout, not just at edge.
- Center bottom of dish is very hot to the touch.
- Poultry thigh joints move easily.
- Meat and poultry show no pinkness.
- Fish is opaque and flakes easily with a fork.

INFORMATION YOU NEED TO KNOW

ABOUT CHILDREN AND THE MICROWAVE

Children below the age of 7 should use the microwave oven with a supervising person very near to them. Between the ages of 7 and 12, the supervising person should be in the same room.

The child must be able to reach the microwave oven comfortably; if not, he/she should stand on a sturdy stool.

At no time should anyone be allowed to lean or swing on the microwave oven door.

Children should be taught all safety precautions: use potholders, remove coverings carefully, pay special attention to packages that crisp food because they may be extra hot.

Don't assume that because a child has mastered one cooking skill he/she can cook everything.

Children need to learn that the microwave oven is not a toy. See page 48 for Safety Lock feature.

ABOUT FOOD

FOOD	DO	DON'T
Eggs, sausages, nuts, seeds, fruits & vegetables	<ul style="list-style-type: none">• Puncture egg yolks before cooking to prevent "explosion".• Pierce skins of potatoes, apples, squash, hot dogs and sausages so that steam escapes.	<ul style="list-style-type: none">• Cook eggs in shells.• Reheat whole eggs.• Dry nuts or seeds in shells.
Popcorn	<ul style="list-style-type: none">• Use specially bagged popcorn for the microwave oven.• Listen while popping corn for the popping to slow to 1 or 2 seconds or use special Popcorn pad.	<ul style="list-style-type: none">• Pop popcorn in regular brown bags or glass bowls.• Exceed maximum time on popcorn package.
Baby food	<ul style="list-style-type: none">• Transfer baby food to small dish and heat carefully, stirring often. Check temperature before serving.• Put nipples on bottles after heating and shake thoroughly. "Wrist" test before feeding.	<ul style="list-style-type: none">• Heat disposable bottles.• Heat bottles with nipples on.• Heat baby food in original jars.
General	<ul style="list-style-type: none">• Cut baked goods with filling after heating to release steam and avoid burns.• Stir liquids briskly before, during and after heating to avoid "eruption".• Use deep bowl, when cooking liquids or cereals, to prevent boilovers.	<ul style="list-style-type: none">• Heat or cook in closed glass jars or air tight containers.• Can in the microwave as harmful bacteria may not be destroyed.• Deep fat fry.• Dry wood, gourds, herbs or wet papers.

INFORMATION YOU NEED TO KNOW

ABOUT UTENSILS AND COVERINGS

UTENSILS AND COVERINGS	MICROWAVE ONLY	CONVECTION BROIL, SLOW COOK	HIGH MIX/ROAST LOW MIX/BAKE
Aluminum foil	YES. Small flat pieces of aluminum foil placed smoothly on food can be used to shield areas from cooking or defrosting too quickly. Keep foil at least 1 inch from walls of oven.	YES. For shielding	YES. For shielding
Aluminum containers	YES. Can be used if 3/4 filled with food. Keep 1 inch away from walls and do not cover with foil.	YES. Broil-No cover	YES. Can be used if 3/4 filled with food. Keep 1 inch away from walls and do not cover with foil.
Browning dish	YES. Do not exceed recommended preheating time. Follow manufacturer's directions.	NO	NO
Glass ceramic (Pyroceram®)	YES. Excellent	YES. Excellent	YES. Excellent
Glass, heat-resistant	YES. Excellent. Overturned pie plate necessary for popping popcorn.	YES. Excellent	YES. Excellent
Glass, non-heat-resistant	NO	NO	NO
Lids, glass	YES	YES. Broil-No cover	YES.
Lids, metal	NO	YES. Broil-No cover	NO
Metal cookware	NO	YES.	YES. Do not use metal covering.
Metal, misc: dishes with metallic trim, screws, bands, handles. Metal twist ties	NO	NO	NO
Oven cooking bags	YES. Good for large meats or foods that need tenderizing. DO NOT use metal twist ties.	YES. Broil-No cover	YES. DO NOT use metal twist ties.

INFORMATION YOU NEED TO KNOW

ABOUT UTENSILS AND COVERINGS

UTENSILS AND COVERINGS	MICROWAVE ONLY	CONVECTION BROIL, SLOW COOK	HIGH MIX/ROAST LOW MIX/BAKE
Paper plates	YES. For reheating	NO	NO
Paper towels	YES. To cover for reheating and cooking. Do not use recycled paper towels which may contain metal fillings.	NO	NO
Paper, ovenable	YES	YES. For temperatures up to 400°F. Do not use for broiling.	YES. For temperatures up to 400°F.
Microwave-safe plastic containers	YES. Use for reheating and defrosting. Some microwave-safe plastics are not suitable for cooking foods with high fat and sugar content. Follow manufacturer's directions.	NO	NO
Plastic, Thermoset®	YES	YES. Are heat resistant up to 425°F. Do not use for broiling.	YES
Plastic wrap	YES. Use brands specially marked for microwave use. DO NOT allow plastic wrap to touch food. Vent so steam can escape.	NO	NO
Pottery, porcelain stoneware	YES. Check manufacturer's recommendation for being microwave safe.	YES	YES. Must be microwave safe AND ovenable.
Styrofoam	YES. For reheating	NO	NO
Wax paper	YES. Good covering for cooking and reheating	NO	NO
Wicker, wood, straw	YES. May be used for short periods of time. Do not use with high fat or high sugar content foods. Could char.	NO	NO

INFORMATION YOU NEED TO KNOW

DISH CHECK

If you wish to check if a dish is safe for microwaving, place the empty dish in the oven and microwave on HIGH for 30 seconds. If the dish becomes very hot, do NOT use it for microwaving.

ACCESSORIES

There are many microwave accessories available for purchase. Evaluate carefully before you purchase so that they meet your needs. A microwave-safe thermometer will assist you in determining correct doneness and assure you that foods have been cooked to safe temperatures when using microwave-only cooking. DCS is not responsible for any damage to the oven when accessories are used.

MICROWAVE UTENSILS

The ideal material for a microwave utensil allows energy to pass through the container and heat the food. Many common household items, such as paper plates and glass or plastic bowls, are good choices for warming foods.

When a utensil is used for cooking, it must also be able to withstand contact with hot food or boiling liquid.

Dual-purpose, heat-resistant paper and plastic utensils can be used in microwave and conventional ovens. Look for materials that are marked "safe for microwave or conventional oven up to 400°F." Many traditional cooking containers, such as casseroles and measuring cups, are also suitable for microwaving.

Oven-glass and glass ceramic (Pyroceram®) utensils can be used for microwaving, serving and storing. Oven-glass utensils are inexpensive and widely available. Use them for measuring, mixing and microwaving. Choose clear glass for pies, cakes and breads, so you can easily check for doneness through the bottom of the dish.

Microwave-safe Dish Test. If you are not sure whether your dish is safe to use in the microwave oven, use this test. Place the dish in the oven. Measure 1/2 to 1 cup water in glass cup. Place on or beside dish. Microwave at HIGH (100%) for 1 to 2 minutes. If dish remains cool, it is suitable for microwaving. Do not use this test for plastic and metal.

Pottery, stoneware and porcelain offer the convenience of cook-and-serve versatility. Serving bowls, platters, casseroles, plates and cups are practical and attractive. Look for dishware that is marked "microwave-safe." If you are not sure if your dish is safe to use, use the dish test above.

Plastic cookware (Thermoset®) marked microwave-safe is designed for microwave oven and conventional oven use and can withstand temperatures up to 400°F. Follow manufacturer's recommendations.

Plastic storage containers and tableware marked "dishwasher-safe" and Styrofoam® may be used for short-term heating to serving temperature. Do not use them for cooking raw foods or for heating foods high in fat or sugar, since they distort at fairly low temperatures. "Original" Tupperware® may melt or distort; Ultra 21® lines from Tupperware are designed for microwave use.

Plastic wrap or plastic food-storage bags should not be used for cooking.

Paper plates, hot drink, cups, towels and napkins are good choices for short-term cooking and heating. Avoid recycled paper, which may contain metal chips, and wax-coated paper cups or plates. Paper baking cups absorb excess moisture and save clean-ups. Plain white paper towels are excellent for warming breads, cooking bacon or covering to prevent splatters. Wax paper can be used as a light, nonstick cover that holds in steam; it also prevents splattering for dishes such as chili or spaghetti.

Dual-purpose paper products, such as ovenable paperboard containers, are versatile choices. They are freezer-proof and safe for both microwave and conventional ovens up to 400°F.

Metal, such as small pieces of aluminum foil, may be used to shield small areas of food (wingtips, leg ends, breast bones) from overcooking and overdefrosting. Metal reflects energy away from food and

INFORMATION YOU NEED TO KNOW

slows cooking. Special microwave thermometers design to be left in the oven during cooking and temperature probes are also valuable tools. Shallow (no more than 1³/₄ inches in depth) foil convenience-food trays may be used. The amount of metal used must be in proportion to the volume of food; foil trays should be two-thirds to three-fourths full. Always keep metal at least 2 inches away from oven walls and ceiling to prevent arching.

Not Recommended for Use in the Microwave Oven Do not use metal pots, pans or bakeware, metal twist ties or dishes with metallic trim. Also avoid utensils with metal screws, bands or handles, metal reinforcement in some baskets or wicker-wrapped handles and conventional meat or candy thermometers. Melamine® or Centura® tableware, plastics that may be sensitive to hot foods, leaded crystal, antique or delicate glassware, fine bone china and ceramic mugs or cups with glued-on handles, brown paper bags and recycled paper products are not recommended for any microwave cooking use.

ABOUT SAFETY

- Check foods to see that they are cooked to the United States Department of Agriculture's recommended temperatures.

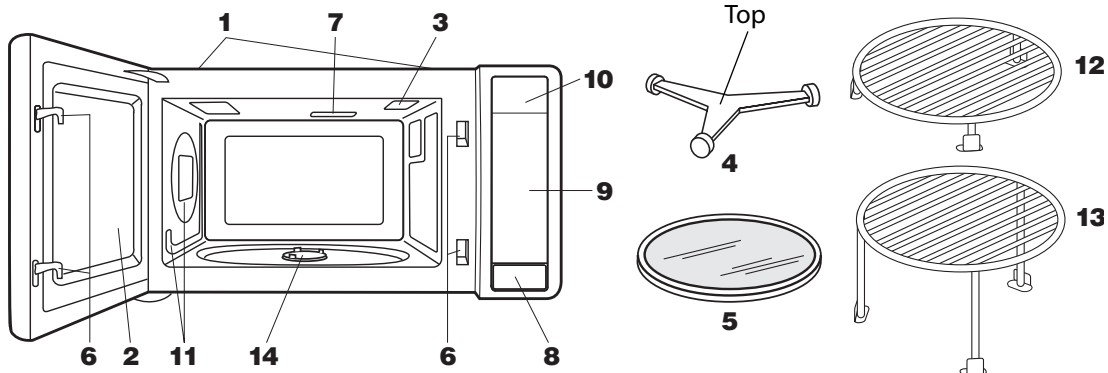
To test for doneness, insert a meat thermometer in a thick or dense area away from fat or bone. Never leave the thermometer in the food during cooking, unless it is approved for microwave oven use.

TEMP	FOOD
160°F / 71°C	For fresh pork, ground meat, boneless white poultry, fish, seafood, egg dishes and frozen prepared food.
165°F / 74°C	For leftover, ready-to-reheat refrigerated, and deli and carry-out "fresh" food.
170°F / 77°C	White meat of poultry.
180°F / 82°C	Dark meat of poultry.

- **ALWAYS** use potholders to prevent burns when handling utensils that are in contact with hot food. Enough heat from the food can transfer through utensils to cause skin burns.
- Avoid steam burns by directing steam away from the face and hands. Slowly lift the farthest edge of a dish's covering and carefully open popcorn and microwave oven cooking bags away from the face.
- Stay near the microwave oven while it's in use and check cooking progress frequently so that there is no chance of overcooking food.
- **NEVER** use the cavity for storing cookbooks or other items.
- Select, store and handle food carefully to preserve its high quality and minimize the spread of foodborne bacteria.
- Keep waveguide cover clean. Food residue can cause arcing and/or fires.
- Use care when removing items from the microwave oven so that the utensil, your clothes or accessories do not touch the safety door latches.
- Keep aluminum foil used for shielding at least 1 inch away from walls, ceiling and door of microwave oven.

PART NAMES

MICROWAVE OVEN PARTS



- | | |
|--|---|
| <p>1 Ventilation openings. (Rear side)</p> <p>2 Oven door with see-through window</p> <p>3 Oven light.
It will light when the door is opened or when oven is in operation.</p> <p>4 Turntable support</p> <p>5 Removable turntable
The turntable will rotate clockwise or counterclockwise.</p> <p>6 Safety door latches
The oven will not operate unless the door is securely closed.</p> | <p>7 Waveguide cover:
DO NOT REMOVE.</p> <p>8 Door open button</p> <p>9 Auto-Touch control panel</p> <p>10 Lighted digital display</p> <p>11 Convection air openings</p> <p>12 Removable low rack (Broiling rack)</p> <p>13 Removable high rack (Baking rack)</p> <p>14 Turntable motor shaft</p> |
|--|---|

ACCESSORIES

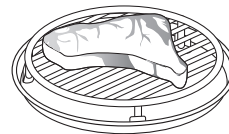
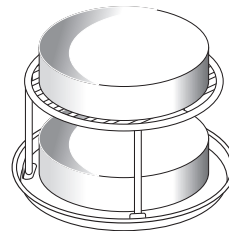
The following accessories are designed especially for use in this oven only for convection, mix or broil cooking. **DO NOT USE FOR MICROWAVE ONLY COOKING.** Do not substitute similar types of racks for these specially designed ones.

High rack (Baking rack)–for convection and low mix.

- This rack is placed on the turntable for two-level cooking, such as layer cakes, muffins, etc.

Low rack (Broiling rack)–for convection, broiling or high mix.

- Place on the turntable and use for roasting or broiling to allow juices to drain away from food.

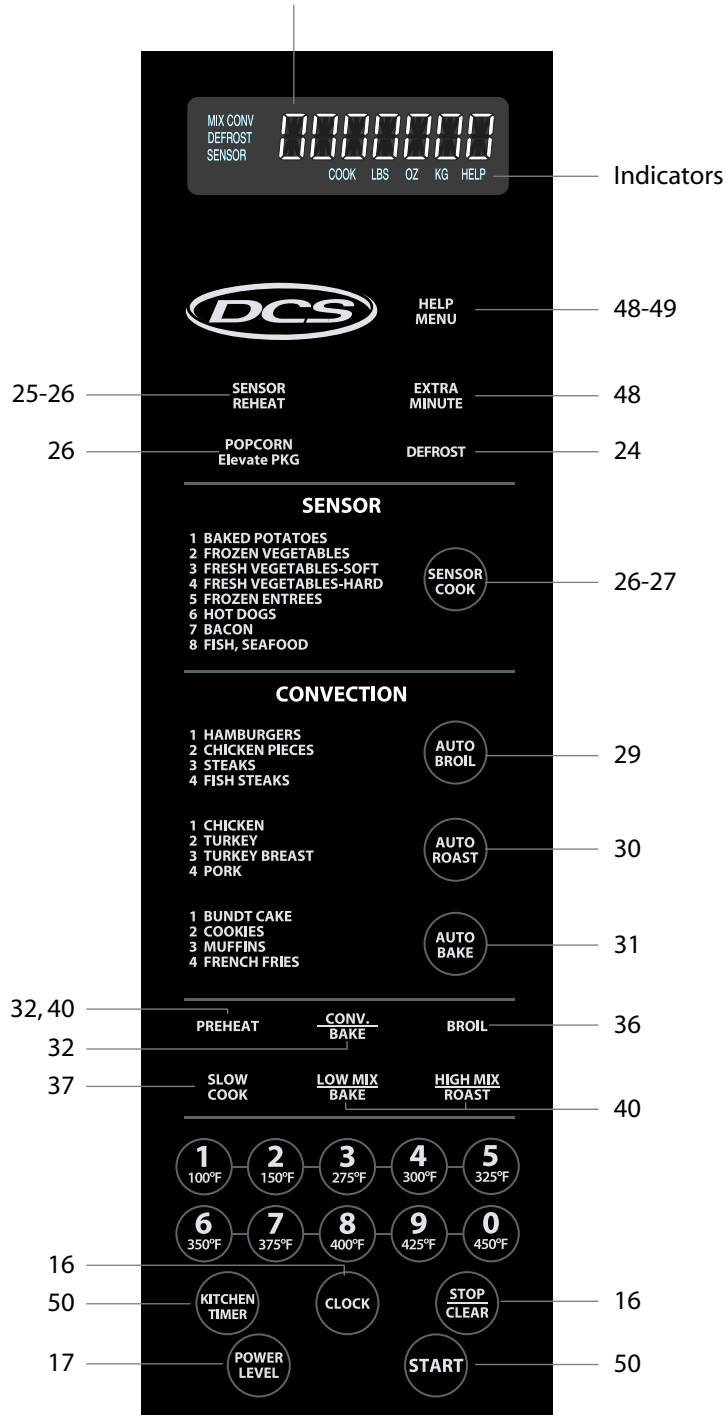


PART NAMES

CONTROL PANEL

Interactive Display

Words will light in the display to indicate features and cooking instructions.



Number next to the control panel illustration indicates pages on which there are feature descriptions and usage information.

BEFORE OPERATING

- Before operating your new microwave oven make sure you read and understand this Installation/Use and Care Guide completely.
- Before the microwave oven can be used, follow these procedures:
 1. Plug in the microwave oven. Close the door. The microwave oven display will show WELCOME PRESS CLEAR AND PRESS CLOCK.
 2. Touch the STOP/CLEAR pad. : will appear.
 3. Set clock.

TO SET THE CLOCK

1. Touch CLOCK pad.
2. Enter the correct time of day by touching the numbers in sequence. Touch CLOCK pad again.

This is a 12 hour clock. If you attempt to enter an incorrect clock time, ERROR will appear in the display. Touch the STOP/CLEAR pad and re-enter the time.

- If the electrical power supply to your microwave oven should be interrupted, the display will intermittently show WELCOME PRESS CLEAR AND PRESS CLOCK after the power is reinstated. If this occurs during cooking, the program will be erased. The time of day will also be erased. Simply touch STOP/CLEAR pad and reset the clock for the correct time of day.

STOP/CLEAR

Touch the STOP/CLEAR pad to:

1. Erase if you make a mistake during programming.
2. Cancel KITCHEN TIMER.
3. Stop the microwave oven temporarily during cooking.
4. Return the time of day to the display.
5. Cancel a program during cooking, touch twice.

MANUAL OPERATION

TIME COOKING

Your microwave oven can be programmed for 99 minutes and 99 seconds (99.99). **Always enter the seconds after the minutes, even if they are both zeros.**

- Suppose you want to cook for 5 minutes at 100%.
 1. Enter cooking time by touching the number pads **5|0|0**.
 2. Touch START pad.

TO SET POWER LEVEL

There are eleven preset power levels.

Using lower power levels increases the cooking time which is recommended for foods such as cheese, milk and long slow cooking of meats. Consult cookbook or recipes for specific recommendations.

TOUCH POWER LEVEL PAD ONCE THEN TOUCH	APPROXIMATE PERCENTAGE OF POWER	COMMON WORDS FOR POWER LEVELS
POWER LEVEL	100%	High
9	90%	
8	80%	
7	70%	Medium High
6	60%	
5	50%	Medium
4	40%	
3	30%	Med. Low / Defrost
2	20%	
1	10%	
0	0%	Low

- Suppose you want to defrost for 5 minutes at 30%.
 1. Enter defrosting time by touching the number pads **5|0|0**.
 2. Touch POWER LEVEL pad and number **3**.
 3. Touch START pad.

You can program up to 4 automatic cooking sequences. Follow directions on page 48. Note that Power Level must be entered first when programming multiple sequences.

MANUAL DEFROST

If the food that you wish to defrost is not listed on the DEFROST CHART or is above or below the limits in the "Amount" column on the DEFROST CHART, you need to defrost manually.

You can defrost any frozen food, either raw or previously cooked, by using Power Level 3. Follow the exact 3-step procedure found under Time Cooking above. Estimate defrosting time and press 3 for 30% when you select the power level.

For either raw or previously cooked frozen food the rule of thumb is approximately 5 minutes per pound. For example, defrost 5 minutes for 1 pound of frozen spaghetti sauce.

Always stop the oven periodically to remove or separate the portions that are defrosted. If food is not defrosted at the end of the estimated defrosting time, program the oven in 1 minute increments on Power Level 3 until totally defrosted.

When using plastic containers from the freezer, defrost only long enough to remove from the plastic in order to place in a microwave-safe dish.

MICROWAVE FEATURES

MICROWAVE COOKING PRINCIPLES

The key to successful microwave cooking is understanding the basic conditions which may affect cooking results. The speed and evenness of microwave cooking are influenced by characteristics of the food itself and by differences in line voltage. House power varies throughout the country. Voltage fluctuates and is lower during periods of peak consumption.

Microwaves penetrate foods to a depth of about $\frac{3}{4}$ to $1\frac{1}{2}$ inches on all surfaces: top, bottom and sides. The interior of foods greater than 2 inches in diameter heats by conduction, as it does in conventional cooking. Foods with high water, fat or sugar content respond quickly to microwave energy.

Size - Small pieces cook faster than large ones. To speed cooking, cut pieces smaller than 2 inches so microwave can penetrate to the center from all sides. For even cooking, cut vegetables, fruit and meat into pieces of uniform size.

Quantity - Small amounts cook faster than large ones. Microwaving time is always directly related to the amount of food and increases with the quantity. When doubling a recipe, increase time by about one-half and check for doneness.

Starting temperature - Frozen or refrigerated food takes longer to heat than food at room temperature. Cooking times in this book are based on normal storage temperatures. Since rooms, refrigerators and freezers differ in temperature, check for doneness at the minimum time.

Fat and bone - Marbling within meat or a thin, even layer of fat on a roast attracts energy and speeds cooking. Drain excess drippings in dish during cooking to speed cooking. Bone conducts heat, so areas next to it may cook faster than other areas.

Shape - Foods which are irregular in shape, like fish fillets, chicken breasts or drumsticks, take longer to cook in the thicker parts. To help them cook evenly, place the thickest parts to the outside of the dish, where they will receive more energy.

Moisture content - Microwaves are readily attracted to moisture. Naturally moist foods microwave better than dry ones. Add a minimum of liquid to moist foods, as excess water slows cooking.

Density. Porous foods, such as ground beef or mashed potatoes, cook faster than dense foods, such as steak or whole potatoes, since microwaves penetrate them more easily. Turn dense foods over after one-half cooking time to speed and equalize cooking.

DEFROSTING FROZEN FOODS

Defrosting food with the microwave oven is not only faster than any other method, it can also give better results. Many microwave ovens are designed with a special automatic defrost setting which makes it safe, quick and easy to defrost meat and poultry.

Once frozen meat is defrosted, it begins to lose its juices. Microwave ovens give you the advantage of letting you defrost meat just before you cook it for maximum juiciness and quality.

Microwave defrosting is easy, but some attention is needed to make sure that the ice crystals in frozen food melt without the food starting to cook. MEDIUM-LOW (30%) is fast enough to be convenient but gradual enough to give good results. At MEDIUM (50%) meat defrosts in about one-third less time but needs more attention.

Place plastic or paper-wrapped package of frozen food directly in oven. To speed defrosting, remove wrap as soon as possible and cover food with wax paper to hold in heat and prevent moisture loss. Foil wrappings must be removed.

Remove wrapping from turkey so you can feel warm spots as it defrosts. Metal clamps holding legs should be removed as soon as possible. Start breast side down, shield warm areas with small strips of foil and turn over after each one-fourth of time.

Let turkey stand 20 to 30 minutes submerged in cold water after defrosting, until giblets and neck can be removed and breast meat under wings is completely defrosted. Turkey may be microwaved with clamps if they are difficult to move.

MICROWAVE FEATURES

CONVENIENCE FOODS

How to Defrost Bagels and Muffins

Wrap frozen bagel or muffin in a paper towel or napkin. Microwave at MEDIUM (50%) until just warm to the touch (about 25 to 45 seconds for one, 40 seconds to 1 minute 20 seconds for two). Split bagels or muffins and toast, if desired.

How to Defrost Orange Juice or Lemonade Concentrate

Remove one metal lid from 6-ounce can of frozen juice. Place can upright in oven. Microwave at HIGH (100%) 30 seconds to 1 minute 30 seconds. Concentrate should be softened but not warm. Pour into container and stir in cold water as directed on can.

Most convenience foods now include microwave directions, making it easier than ever to enjoy soups, snacks, beverages, entrees and desserts. The package instructions are usually for HIGH (100%) for maximum speed and efficiency.

REHEATING

Reheating food is a specialty of the microwave oven. DCS microwave ovens are equipped with special programmed settings or automatic sensors for reheating favorite foods, check this Use Guide for specific directions. For freshest-tasting results, use power levels recommended in chart.

Pasta, rice and rolls. For leftover rice or pasta, drizzle with 1 tablespoon water per cup and reheat, covered. To reheat bread rolls or muffins, wrap in paper towel and microwave only until warm to the touch, not piping hot. Breads heat in seconds; overheating can cause breads to become tough, dry and hard.

Meats. Medium (¹/₄ inch) slices reheat best. Cover meat with sauce or gravy to protect from drying out. Meats with sauce should be covered with wax paper to hold in heat. Cover meat slices without gravy with paper towel.

REHEATING CHART

ITEM	STARTING TEMPERATURE	MICROWAVE TIME	PROCEDURE
Plate of Food 1 serving of meat, 2 servings of vegetables	Room temp. Refrigerated	MED.-HIGH (70%) 1-2 ¹ / ₂ min. 2 ¹ / ₂ -3 ¹ / ₂ min.	Meaty portions and bulky vegetables to outside. Cover with wax paper.
Meat (Chicken pieces, chops, hamburgers, meat loaf slices) 1 serving 2 servings	Refrigerated Refrigerated	MED.-HIGH (70%) 1-2 min. 2-4 min.	Cover loosely with wax paper.
Meat Slices (Beef, ham, pork, turkey) 1 or more servings	Room temp. Refrigerated	MEDIUM (50%) 1-1 ³ / ₄ min. per serving 1 ¹ / ₂ -2 ¹ / ₂ min. per serving	Cover with gravy or wax paper. Check after 30 sec. per serving.

MICROWAVE FEATURES

REHEATING CHART

ITEM	STARTING TEMPERATURE	MICROWAVE TIME	PROCEDURE
Stirrable Casseroles and Main Dishes 1 serving 2 servings 4-6 servings	Refrigerated Refrigerated Refrigerated	HIGH (100%) 1 ³ / ₄ -3 ¹ / ₂ min. 3 ¹ / ₄ -5 min. 6 ¹ / ₂ -7 ¹ / ₂ min.	Cover with glass lid. Stir after half the time.
Nonstirrable Casseroles and Main Dishes 1 serving 2 servings 4-6 servings	Refrigerated Refrigerated Refrigerated	MEDIUM (50%) 4 ¹ / ₂ -7 ¹ / ₂ min. 7 ¹ / ₂ -11 min. 12-15 min.	Cover with wax paper.
Soup, Cream 1 cup 1 can (10 3/4 oz)	Refrigerated Room temp.	MEDIUM (50%) 2 ³ / ₄ -5 ¹ / ₂ min. 5-7 ¹ / ₂ min.	Cover. Stir after half the time.
Soup, Clear 1 cup 1 can (10 ³ / ₄ oz)	Refrigerated Room temp.	HIGH (100%) 1 ³ / ₄ -3 min. 3 ¹ / ₂ -4 ¹ / ₂ min.	Cover. Stir after half the time.
Pizza 1 slice 1 slice 2 slices 2 slices	Room temp. Refrigerated Room temp. Refrigerated	HIGH (100%) 15-25 sec. 25-35 sec. 25-35 sec. 55-60 sec.	Place on paper towel on microwave-safe rack.
Vegetables 1 serving 2 servings	Refrigerated Refrigerated	HIGH (100%) 3/4-1 ¹ / ₄ min. 1 ¹ / ₂ -2 min.	Cover. Stir after half the time.
Baked Potato 1 2	Refrigerated Refrigerated	HIGH (100%) 1-2 ¹ / ₂ min. 2 ¹ / ₂ -3 min.	Cut potato lengthwise and then several times crosswise. Cover with wax paper.
Breads (Dinner or breakfast roll) 1 roll 2 rolls 4 rolls	Room temp. Room temp. Room temp.	HIGH (100%) 8-10 sec. 10-12 sec. 15-18 sec.	Wrap single roll, bagel or muffin in paper towel. To reheat several, line plate with paper towel; cover with another paper towel.
Pie 1 slice 2 slices	Refrigerated Refrigerated	HIGH (100%) 30-45 sec. 1-1 ¹ / ₂ min.	Place on microwave-safe dish. Do not cover.

After reheating, food should be very hot-165°F, if possible, stir food, cover and allow to stand two to three minutes before serving.

MICROWAVE FEATURES

VEGETABLE CHART

VEGETABLE	AMOUNT	COOKING PROCEDURE	MICROWAVE TIME AT HIGH (100%)	STANDING TIME, COVERED
Artichokes Fresh	2 medium	Trim and rinse. 2-qt casserole. 2 tbsp water. Cover with glass lid.	5-8 min.	5 min.
Asparagus Fresh Spears	1 lb	2-qt casserole. 2 tbsp water. Cover. Rearrange after 3 min.	4-7 min.	2 min.
Frozen Spears	10-oz. pkg.	1-qt. casserole. 1 tbsp. water. Cover. Rearrange after 3 min.	7-9 min.	2 min.
Beans Fresh, Green and Wax	1 lb	1 ¹ / ₂ -in. pieces, 2-qt casserole. 1/4 cup water. Cover. Stir twice.	9-13 min.	2 min.
Frozen, Green	10-oz. pkg.	1-qt. casserole. 1 tbsp. water. Cover. Stir after 3 min.	5-7 min.	2 min.
Frozen, Lima	10-oz. pkg.	1-qt. casserole. 1 tbsp. water. Cover. Stir once.	6-9 min.	2 min.
Beets Fresh, Whole	5 medium	Wash. Leave 1 inch of tops. 2-qt casserole. 1/4 cup water. Cover. Stir every 5 min.	12-18 min.	3 min.
Broccoli Fresh, Spears	1 lb	Wash. 2-qt casserole. Add no water. Cover. Rearrange after 3 min. Uncover during stand.	6-8 min.	3 min. uncovered
Fresh, Pieces	1 lb	Wash. 2-qt casserole. Add no water. Cover. Stir after 3 min. Uncover during stand.	5-7 min.	2 min. uncovered
Frozen, Spears, Cuts, Chopped	10-oz. pkg.	1-qt. casserole. 2 tbsp. water. Cover. Stir after 3 min. Uncover during stand.	5-7 min.	2 min. uncovered
Brussels Sprouts Fresh	4 cups	2-qt casserole. 1/4 cup water. Cover. Stir after 2 min.	6-8 min.	3 min.
Frozen	10-oz. pkg.	1-qt. casserole. 2 tbsp. water. Cover. Stir after 3 min.	6-8 min.	3 min.
Cabbage Shredded	1 lb	2-qt casserole. 2 tbsp water. Cover. Stir, after 4 min.	8-12 min.	2 min.
Wedges	1 lb	2-qt casserole. 2 tbsp water. Cover. Rearrange after 5 min.	12-14 min.	3 min.

MICROWAVE FEATURES

VEGETABLE CHART

VEGETABLE	AMOUNT	COOKING PROCEDURE	MICROWAVE TIME AT HIGH (100%)	STANDING TIME, COVERED
Carrots				
Fresh, Slices	2 cups	1-qt casserole. 2 tbsp water. Cover. Stir after 3 min.	5-8 min.	3 min.
Frozen, Slices	2 cups	1-qt casserole. 1 tbsp water. Cover. Stir after 3 min.	5-7 min.	3 min.
Cauliflower				
Fresh, Flowerets	2 cups	1-qt casserole. 1 tbsp water. Cover. Stir after 2 min.	3-5 min.	2 min.
Fresh, Whole	1 1/2 lb	Remove leaves and core center. 2-qt casserole. 2 tbsp water. Cover.	7-9 min.	3 min.
Frozen, Flowerets	10-oz. pkg.	1-qt casserole. 1 tbsp water. Cover. Stir after 3 min.	4-6 min.	2 min.
Corn				
Fresh, on Cob	2 ears	9-in pie plate. 2 tbsp water. Cover. Rearrange after 4 min.	6-9 min.	5 min.
	4 ears	2-qt oval or rectangular casserole. 1/4 cup water. Cover.	12-14 min.	5 min.
Frozen, on Cob	2 ears	9-in pie plate. 2 tbsp water. Cover. Rearrange after 4 min.	6-8 min.	5 min.
	4 ears	2-qt oval or rectangular casserole. 1/4 cup water. Cover.	10-12 min.	5 min.
Frozen, Whole Kernel	10-oz. pkg.	1-qt casserole. 1 tbsp water. Cover. Stir after 3 min.	4-6 min.	2 min.
Okra				
Fresh, Whole	3/4 lb	1 1/2-2-qt casserole. 1/4 cup water. Cover. Stir after 3 min.	8-10 min.	3 min.
Frozen, Whole or slices	10-oz. pkg.	1 1/2-2-qt casserole. 2 tbsp water. Cover. Stir after 3 min.	6-8 min.	3 min.
Peas, Black-Eyes				
Frozen	10-oz. pkg.	2-qt casserole. 1/4 cup water. Cover. Stir after 4 min.	8-10 min.	3 min.
Peas, Green				
Fresh	2 cups	1-qt casserole. 1/4 cup water. Cover. Stir after 3 min.	4-6 min.	3 min.
Frozen	10-oz. pkg.	1-qt casserole. 1 tbsp water. Cover. Stir after 3 min.	6-8 min.	3 min.

MICROWAVE FEATURES

VEGETABLE CHART

VEGETABLE	AMOUNT	COOKING PROCEDURE	MICROWAVE TIME AT HIGH (100%)	STANDING TIME, COVERED
Potatoes Baked	2 medium 4 medium	Prick; place on paper towels. Turn over, rearrange at 1/2 time. Let stand, foil wrapped.	7-9 min. 13-16 min.	5-10 min. 5-10 min.
Boiled	4 medium	Peel and quarter potatoes. 2-qt casserole. Cover. Stir after 5 min.	9-12 min.	3 min.
Spinach Fresh	1 lb	Wash and trim. Add no water. 3-qt casserole. Cover. Stir after 3 min.	5-7 min.	2 min.
Frozen, Leaf or Chopped	10-oz. pkg.	1-qt casserole. Add no water. Cover. Stir after 3 min.	6-8 min.	2 min.
Squash Fresh, Acorn	1 whole	Prick; place on paper towel. Turn over after 4 min.	7-10 min.	5 min.
Fresh, Sliced Zucchini	2 cups	1-qt casserole. Add no water. Cover. Stir after 2 min.	2-4 min.	1 min.
Frozen, Mashed	10-oz. pkg.	1-qt casserole. Add no water. Cover. Break apart and stir after 3 min.	6-8 min.	2 min.
Sweet Potatoes Baked	2 medium 4 medium	Prick; place on paper towels. Turn over, rearrange after 5 min.	5-9 min. 10-13 min.	5 min. 5 min.
Tomatoes Fresh	2 medium 4 medium	Halve tomatoes. Round dish. Cover. Rearrange once.	2-4 min. 5-8 min.	2 min. 2 min.
Canned Vegetables	15 to 16 oz	1-qt casserole. Drain all but 2 tbsp liquid. Stir once.	2-4 min.	2 min.

MICROWAVE FEATURES

DEFROST

Defrost automatically defrosts foods shown in the Defrost Chart.

- Suppose you want to defrost a 2.0 pound steak:

1. Touch DEFROST pad once.
2. Select desired food by touching DEFROST pad until the display shows the food name. Example: Touch twice for steak.
3. Enter weight by touching the number pads **2****0**.
4. Touch START pad.

The oven will stop and directions will be displayed. Follow the indicated message.

5. After the 1st stage, open the door. Turn steak over and shield any warm portions. Close the door. Touch START pad.
6. After the 2nd stage, open the door. Shield any warm portions. Close the door. Touch START pad.
7. After defrost cycle ends, cover and let stand as indicated in chart below.

Note:

1. If you attempt to enter more or less than the allowed amount as indicated in chart, an error message will appear in the display.
2. Defrost can be programmed with More or Less Time Adjustment. See page 48.
3. To defrost other foods or foods above or below the weights allowed on Defrost Chart see Manual Defrost on page 17.

DEFROST CHART

FOOD	AMOUNT	PROCEDURE
1. Ground meat	0.5-3.0 lb (0.3-1.3 kg)	Remove any thawed pieces after each stage. Let stand, covered, 5–10 minutes.
2. Steaks (Chops/Fish)	0.5-4.0 lb (0.3-1.8 kg)	After each stage of defrost cycle, rearrange and if there are warm or thawed portions, shield with small flat pieces of aluminum foil. Remove any meat or fish that is nearly defrosted. Let stand, covered, 10–20 minutes.
3. Chicken pieces	0.5-3.0 lb (0.3-1.3 kg)	After each stage of defrost cycle, if there are warm or thawed portions, rearrange or remove. Let stand, covered, 10–20 minutes.

Note:

Check foods when oven signals. After final stage, small sections may still be icy. Let stand to continue thawing. Do not defrost until all ice crystals are thawed.

Shielding prevents cooking from occurring before the center of the food is defrosted. Use small smooth strips of aluminum foil to cover edges and thinner sections of the food.

MICROWAVE FEATURES

SENSOR

The Sensor is a semi-conductor device that detects the vapor (moisture and humidity) emitted from food as it heats. The sensor adjusts the cooking times and power level for various foods and quantities.

Using SENSOR Settings:

1. After oven is plugged in, wait 2 minutes before using sensor settings.
2. Be sure the exterior of the cooking container and the interior of the oven are dry. Wipe off any moisture with a dry cloth or paper towel.
3. SENSOR REHEAT and POPCORN can only be entered within 1 minute after cooking, opening and closing the door or touching the STOP/CLEAR pad.
4. During the first part of sensor cooking, the food name will appear on the display. Do not open the oven door or touch STOP/CLEAR during this part of the cooking cycle. The measurement of vapor will be interrupted. If this occurs, an error message will appear. To continue cooking, touch the STOP/CLEAR pad and select cooking time and variable power.

When the sensor detects the vapor emitted from the food, remainder of cooking time will appear. Door may be opened when remaining cooking time appears on the display. At this time, you may stir or season food, as desired.

5. Check food for temperature after cooking. If additional time is needed, continue to cook with variable power and time.
6. If the sensor does not detect vapor properly when popping popcorn, the oven will turn off, and the correct time of day will be displayed. If the sensor does not detect vapor properly when using sensor reheat, ERROR will be displayed, and the oven will turn off.
7. Any SENSOR mode can be programmed with More or Less Time Adjustment. See page 48.
8. Each food has a cooking hint. Touch HELP MENU when the HELP indicator is lighted in the display.

Selecting Foods:

1. The sensor works with foods at normal storage temperature. For example, food for dinner plate reheat would be at refrigerator temperature and popcorn at room temperature.
2. Foods weighing less than 3 ounces should be reheated by time and variable power.

Covering Foods:

Some foods work best when covered. Use the cover recommended in the chart for these foods.

1. Casserole lid
2. Plastic wrap: Use plastic wrap recommended for microwave cooking. Cover dish loosely; allow approximately $\frac{1}{2}$ inch to remain uncovered to allow steam to escape. Plastic wrap should not touch food.
3. Wax paper: Cover dish completely; fold excess wrap under dish to secure. If dish is wider than paper, overlap two pieces at least one inch to cover.

Be careful when removing any covering to allow steam to escape away from you.

SENSOR REHEAT

You can reheat many foods by touching just one pad. You don't need to calculate reheating time or power level.

- Suppose you want to heat prepared chili:

Touch SENSOR REHEAT pad.

When sensor detects the vapor emitted from the food, remainder of reheating time will appear.

MICROWAVE FEATURES

POPCORN

• Suppose you want to pop a 3.5 oz. bag of popcorn:

1. Place bag on overturned 9" glass pie plate.
2. Touch POPCORN pad once.

This sensor setting works well with most brands of microwave popcorn. You may wish to try several and choose your favorite. Pop only one bag at a time. Unfold the bag and place in oven according to directions.

SENSOR CHART

FOOD	AMOUNT	PROCEDURE
SENSOR REHEAT Leftovers such as rice, potatoes, vegetables, casserole.	4-36 oz	Place in dish or casserole slightly larger than amount to reheated. Flatten, if possible. Cover with lid, plastic wrap or wax paper. Use covers such as plastic wrap or lids with larger quantities of more dense foods such as stews.
Soups	1-4 cups	After reheating, stir well, if possible. Foods should be very hot. If not, continue to heat with variable power and time. After stirring, recover and allow to stand 2 to 3 minutes.
Canned entrees and vegetables	4-36 oz	Use Less Time Adjustment by touching Power Level pad twice for small quantities of canned vegetables.
POPCORN	Only 1 package at a time	Use only popcorn packaged for microwave oven use. Try several brands to decide which you like best. Do not try to pop unpopped kernels. More/Less Time Adjustment can be used to provide adjustment needed for older popcorn or individual tastes.
	3.0-3.5 oz bag (Regular size)	Touch POPCORN pad once. This setting works well with most 3.0-3.5 oz bags of microwave popcorn.
	1.5-1.75 oz bag (Snack size)	Touch POPCORN pad twice within 2 seconds for snack size bags.

SENSOR COOK

• Suppose you want to cook a baked potato:

1. Touch SENSOR COOK pad.
2. Select desired sensor setting. Example: Touch number pad **1** to cook baked potatoes.
3. Touch START pad. When sensor detects the vapor emitted from the food, the remainder of cooking time will appear.

MICROWAVE FEATURES

SENSOR COOK CHART

FOOD	AMOUNT	PROCEDURE
1. BAKED POTATOES	1-8 medium	Pierce. Place on paper-towel-lined turntable. After cooking, remove from oven, wrap in aluminum foil and let stand 5 to 10 minutes.
2. FROZEN VEGETABLES	1-8 cups	Cover with lid or plastic wrap. After cooking, stir and let stand 3 minutes, covered.
3. FRESH VEGETABLES, SOFT Broccoli Brussels sprouts Cabbage Cauliflower (flowerets) Cauliflower (whole) Spinach Zucchini Baked apples	0.25-2 lb 0.25-2 lb 0.25-2 lb 0.25-2 lb 1 medium 0.25-1 lb 0.25-2 lb 2-4 medium	Wash and place in casserole. Add no water if vegetables have just been washed. Cover with lid for tender vegetables. Use plastic wrap for tender-crisp vegetables. Stir before standing if possible. After cooking, let stand, covered, 2-5 minutes.
4. FRESH VEGETABLES, HARD Carrots, sliced Corn on cob Green beans Winter squash, diced halves	0.25-1.5 lb 2-4 pcs. 0.25-1.5 lb 0.25-1.5 lb 1-2	Place in casserole. Add 1-4 tbsp. water. Cover with lid for tender vegetables. Use plastic wrap cover for tender-crisp vegetables. Stir before standing, if possible. After cooking, let stand, covered, 2-5 minutes.
5. Frozen entrees	6-17 oz	Use for frozen convenience foods. It will give satisfactory results for most brands. You may wish to try several and choose your favorite. Remove package from outer wrapping and follow package directions for covering. After cooking, let stand, covered, for 1 to 3 minutes.
6. Hot dogs	1-4 servings	Place hot dog in bun and wrap in paper towel or paper napkin.
7. Bacon	2-6 slices	Place bacon on paper plate, lined with paper towel. Bacon should not extend over the rim of plate. Cover with paper towel. Put another paper plate upside down on turntable. Place plate of bacon on top of overturned plate.
8. Fish, seafood	0.25-2.0 lb	Arrange in ring around shallow glass dish (roll fillet with edges underneath). Cover with plastic wrap. After cooking, let stand, covered, 3 minutes.

MICROWAVE FEATURES

SENSOR COOK RECIPES

Cranberry Fluff

Makes 6 to 8 servings

- 2 cups fresh cranberries
- 1 cup water
- ³/₄ cup sugar
- 1 carton (3 oz.) orange-flavored gelatin
- ¹/₂ pint whipping cream, whipped OR
- 1 carton (8 oz.) non-dairy whipped topping

1. Combine cranberries, water and sugar in a 2-quart casserole dish. Cover with wax paper. Microwave using SENSOR REHEAT Less. Drain cranberries and reserve liquid.
2. Add enough hot water to reserved liquid to make 2 cups. Stir gelatin into hot liquid until it dissolves. Cover with wax paper. Microwave using SENSOR REHEAT Less.
3. Add berries and cool. Refrigerate until thickened. Fold whipped cream into cooled cranberry mixture. Spoon into serving dishes and garnish with extra whipped cream. Refrigerate until ready to serve.

Glazed Apple Slices

Makes 6 to 8 servings

- ¹/₄ cup firmly-packed brown sugar
- 3 tablespoons butter or margarine
- 2 tablespoons apricot preserves
- ¹/₂ teaspoon ground nutmeg
- ¹/₄ teaspoon salt
- ¹/₂ cup sugar
- ³/₄ cup orange juice
- 1 tablespoon cornstarch
- 4 baking apples (about 1¹/₂ lbs), peeled and sliced into 8 pieces each
- 3 tablespoons chopped green pistachios

1. Combine brown sugar, butter and apricot preserves in a small bowl. Microwave at HIGH (100%) 45 seconds to 1 minute, until butter melts and preserves soften. Stir in nutmeg, salt, sugar, orange juice and cornstarch. Microwave at HIGH (100%), 4 to 6 minutes or until thickened, stirring several times.
2. Arrange apple slices in a large microwave serving dish. Spread hot sauce over apples. Cover well with vented wax paper. Microwave using FRESH VEGETABLES-SOFT. Allow to cool 5 minutes before serving.
3. Sprinkle with pistachios. Serve alone or over vanilla ice cream or sponge cake.

Savory Flounder Fillets

Makes 4 servings

- ³/₄ cup corn flake crumbs
- 3 tablespoons chopped parsley
- 2 teaspoons grated lemon peel
- ¹/₂ teaspoon paprika
- 1 pkg. (1 lb.) flounder fillets
- 1 egg, slightly beaten
- Tarter or cocktail sauce, optional

1. On wax paper, combine crumbs, parsley, lemon peel and paprika. Dip fillets in beaten egg, then coat with crumb mixture.
2. Place fish in a covered, microwave-safe baking dish. Microwave using FISH, SEAFOOD.
3. Serve with tartar or cocktail sauce, if desired.

CONVECTION AUTOMATIC OPERATION

This section of the operation manual offers instructions for preparing 12 popular foods using AUTO BROIL, AUTO ROAST and AUTO BAKE.

After selecting the desired feature, follow the directions indicated in the display.

For helpful hints, simply touch HELP MENU anytime HELP is lighted in the display.

Caution: The oven cabinet, cavity, door, turntable, turntable support, racks and dishes will become hot. To PREVENT BURNS, use thick oven gloves when removing the food or turntable from the oven.

AUTO BROIL

AUTO BROIL automatically broils hamburgers, chicken pieces, steaks and fish steaks.

- Suppose you want to broil 2 hamburgers:

1. Touch AUTO BROIL pad.
2. Select desired setting. Example: for hamburgers, touch number pad **1**.
3. Touch number pad to enter quantity. Example: **2**. Follow information in display for cooking information.

For well done or rare burgers, touch POWER LEVEL pad to select More for well done or Less for rare. See More/Less Time Adjustment on page 48.

4. Touch START pad.

After broil preheat cycle ends, the oven will stop and directions will be displayed. Follow the indicated message. Open the door and place hamburgers into oven. Close the door.

5. Touch START pad.

Note:

1. AUTO BROIL can be programmed with More/Less Time Adjustment. See page 48.

2. If you attempt to enter more or less than the allowed amount as indicated in chart below, an error message will appear in the display.

3. To broil other foods or foods above or below the weight or number allowed on AUTO BROIL Chart, see Convection Broiling Chart.

AUTO BROIL CHART

SETTING/FOOD	AMOUNT	RACK	PROCEDURE
1. HAMBURGERS	1-8 pieces 0.25 lb each	Low	Use this setting to broil hamburger patties. Place on low rack.
2. CHICKEN PIECES	0.5-3.5 lb	Low	Arrange pieces on low rack. After cooking, let stand, 3-5 minutes. Dark meat should be 180°F, and white meat should be 170°F.
3. STEAKS	0.5-2.0 lb	Low	Use this setting to broil steaks from $\frac{3}{4}$ " to 1" thick. Individual boneless steaks broil evenly. Place steak on low rack. For well done, touch POWER LEVEL once; for rare, touch POWER LEVEL twice.
4. FISH STEAKS	0.5-2.0 lb	Low	Use this setting to broil fish steak which is $\frac{3}{4}$ " to 1" thick. Place on low rack.

CONVECTION AUTOMATIC OPERATION

AUTO ROAST

AUTO ROAST automatically roasts chicken, turkey, turkey breast or pork.

- Suppose you want to roast a 2.5 pound chicken:

1. Touch AUTO ROAST pad.
2. Select desired setting. Example: For chicken, touch number pad **1**.
3. Touch number pad to enter weight. Example: **2****5** lb.
4. Touch START pad.

After AUTO ROAST cycle ends, a long tone will sound. Follow the indicated message.

Note:

1. AUTO ROAST can be programmed with More/Less Time Adjustment. See page 48.
2. If you attempt to enter more or less than the allowed weight as indicated in chart below, an error message will appear in the display.
3. To roast other food or foods above or below the weights allowed on AUTO ROAST Chart, check Combination Roasting Chart.

AUTO ROAST CHART

SETTING/FOOD	AMOUNT	RACK	PROCEDURE
1. CHICKEN	2.5-7.5 lb	Low	After the cycle ends, cover with foil and let stand for 5-10 minutes.
2. TURKEY	6.5-16.0 lb	Low	Season, as desired. Place on low rack. After the cycle ends, cover with foil and let stand 10 minutes. Internal temperature of white meat should be 170°F and of dark meat, 180°F.
3. TURKEY BREAST	3.0-6.0 lb	Low	Season, as desired. Place on low rack. After the cycle ends, cover with foil and let stand 10 minutes. Internal temperature of white meat should be 170°F.
4. PORK	2.0-3.5 lb	Low	Boneless pork loin is recommended because it cooks evenly. Place on a low rack. After cooking, remove from oven, cover with foil and allow to stand 5-10 minutes. Internal temperature should be 160°F.

CONVECTION AUTOMATIC OPERATION

AUTO BAKE

AUTO BAKE automatically bakes cakes, brownies, muffins and French fries.

- Suppose you want to bake a bundt cake:

1. Touch AUTO BAKE pad.
2. Select desired setting. Example: For bundt cake, touch number pad **1**.
3. Touch START pad.

Note:

1. AUTO BAKE can be programmed with More/Less Time Adjustment. See page 48.
2. To bake other foods, see baking chart.

AUTO BAKE CHART

SETTING/FOOD	AMOUNT	RACK	PROCEDURE
1. BUNDT CAKE	1 cake	No rack	Ideal for packaged cake mix or your own recipe. Prepare according to package or recipe directions and place in a greased and floured bundt pan. Place pan in oven. Cool before frosting and serving.
2. COOKIES	1 or 2 pizza pans	1 pizza pan No rack 2 pizza pans High	Ideal for refrigerated cookie dough. Prepare according to package or recipe directions and place on a greased and floured 12" pizza pan. Cookies should be approximately 1/3 inch thick and 2 inches in diameter for best results. After the preheat is over, place pan in oven. Cool before serving.
3. MUFFINS	6-12 cups 1 or 2 muffin pan	1 pan No rack 2 pans High	Ideal for packaged muffin mix or your own recipe for 6-12 medium size muffins. Prepare according to package or recipe directions and place in muffin pan. After the preheat is over, place pan in oven.
4. FRENCH FRIES	3-24 oz 1 or 2 pizza pans For more than 12 oz use 2 pans	1 pizza pan No rack 2 pizza pans High	Use frozen prepared French fries. No preheat is required for the French fries baking procedure. Place French fries on pizza pan. For shoestring potatoes, touch POWER LEVEL pad twice to enter less time before touching START pad.

MANUAL CONVECTION AND AUTOMATIC MIX COOKING


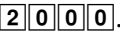
This section gives you specific cooking instructions and procedures. The oven should not be used without the turntable in place, and it should never be restricted so that it cannot rotate. You may remove the turntable when preheating the oven and when preparing food to be cooked directly on the turntable.

Caution: The oven cabinet, cavity, door, turntable, turntable support, racks and dishes will become hot. To PREVENT BURNS, use thick oven gloves when removing the food or turntable from the oven.

CONVECTION COOKING

During convection heating, hot air is circulated throughout the oven cavity to brown and crisp foods quickly and evenly. This oven can be programmed for ten different convection cooking temperatures for up to 99 minutes, 99 seconds.

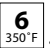

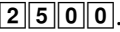
To Cook with Convection

- Suppose you want to cook at 350°F for 20 minutes:
 1. Touch CONV./BAKE pad.
 2. Select temperature by touching number pad .
 3. Enter cooking time by touching number pads .
 4. Touch START pad.

Note: If you wish to know the programmed oven temperature, simply touch the CONV./BAKE pad. As long as your finger is touching the CONV./BAKE pad, the programmed oven temperature will be displayed.

To Preheat and Cook with Convection

Your oven can be programmed to combine preheating and convection cooking operations. You can preheat to the same temperature as the convection temperature or change to a higher or lower temperature.

- Suppose you want to preheat to 350°F, and then cook 25 minutes at 375°F convection:
 1. Touch PREHEAT pad.
 2. Select temperature by touching number pad .
 3. Touch CONV./BAKE pad.
 4. Select temperature by touching number pad .
 5. Enter cooking time by touching number pads .
 6. Touch START pad.

When the oven reaches the programmed temperature, a signal will sound 4 times*. The oven will stop, and directions will be displayed. Follow the indicated message.

7. Open the door. Place food in the oven. Close the door. Touch START pad.

* If the oven door is not opened, the oven will automatically hold at the preheat temperature for 30 minutes. After this time has elapsed, an audible signal will sound, and the oven will turn off.

Note:

1. To program only preheat, touch the START pad after step 2. Preheating will start. When the oven reaches the programmed temperature, follow the indicated message.
2. To preheat and cook with the same temperature, enter same temperature in steps 2 and 4.

MANUAL CONVECTION AND AUTOMATIC MIX COOKING

Convection-Only Techniques

Convenience foods such as frozen appetizers, pizzas, egg rolls and refrigerated bread products bake and brown quickly with convection-only cooking. Follow package directions for conventional baking times.

Preheating the oven is necessary with convection cooking of smaller, faster-cooking food items that require less than 20 minutes of baking. Foods requiring longer baking time use LOW MIX.

Two-level baking allows baking of two pans of cookies, small muffins or pizzas at the same time. Round baking pans are excellent cooking utensils for many convection-only items.

Bread & Baking Techniques

Preheating of oven is not necessary. Bake one loaf 25 minutes and two loaves 30 minutes at LOW MIX. After baking, bread should be golden brown and sound hollow when tapped. Do not let bread stand in oven; remove from pans immediately to cool on wire rack.

Proofing dough. Use your own recipe or frozen dough. Place in well-greased bowl or loaf pan; cover with damp cloth. Place in oven at *SLOW COOK 100°F 30 to 45 minutes. Frozen dough will take longer, 2 to 2³/₄ hours. Dough is doubled when impressions remain after fingers are pressed 1/2 inch into dough. (*necessary to change temperature on SLOW COOK.)

Braid or other shape. Remove turntable from oven. Shape bread; lace directly on turntable. No preheating is needed. Bake for three-fourths of the time in your conventional recipe on LOW MIX.

Pie Techniques

Custard Pies. Prebake and cool pie shell as directed above. Fill with uncooked custard. Without preheating, bake pie on round baking pan placed on broiling rack for 30 to 35 minutes on *LOW MIX, 325°F. If custard is not set, let stand in oven a few minutes to complete cooking. (*Necessary to change temperature on LOW MIX).

Pie Shell. Use mix, frozen pie dough, or your recipe for single crust pie. Prick crust with fork. Preheat oven to 425°F. Place pie shell on broiling rack; bake with convection heat 8 to 10 minutes or until lightly browned. Cool and fill.

Frozen Prepared Custard-Type Pies. Preheat oven to temperature listed on package. Place pie on broiling rack. Bake three-fourths of package time using LOW MIX set at the package temperature. If filling is not set, let stand in oven to complete cooking. **Frozen Prepared Fruit Pies.** Do not preheat oven. Bake on broiling rack. Use *HIGH MIX, 375°F. Bake 8-inch, 35 minutes; 9-inch, 40 to 45 minutes. (*Necessary to change temperature on HIGH MIX).

Double Crust or Crumb Top Pies. Prepare pie as you would for conventional baking; make slits in top of two crust pie. Preheat oven to 400°F. Place pie on broiling rack. Bake double crust or lattice pies 25 to 35 minutes on *HIGH MIX, 400°F; crumb top pies 20 to 25 minutes on *HIGH MIX, 400°F (*Necessary to change temperature on HIGH MIX).

Convection Baking Chart

ITEM (For foods requiring 25 minutes or less)	BAKING TIME AND TEMPERATURE
Appetizers: Brown and serve, pastry	Follow package directions.
Biscuits: Your recipe, mix or refrigerator	Follow recipe or package directions.
Cookies: Drop, rolled, refrigerator, spritz, molded	Follow recipe or package directions.
Fish Sticks: Frozen	Follow package directions.
Layer Cakes: Your recipe or mix	Follow recipe or package directions.
Muffins: Your recipe or mix	Follow recipe or package directions.
Pizza: Your recipe or frozen	Follow recipe or package directions.
Puff Pastry: Your recipe or frozen	Follow recipe or package directions.
Rolls: Your recipe, package or refrigerator	Follow recipe or package directions.

MANUAL CONVECTION AND AUTOMATIC MIX COOKING

Cake Techniques

Layer Cakes. Use a mix or your own conventional recipe. Follow recipe or package directions for preheating and baking instructions. Use baking rack and turntable to bake two layers at once, in AUTO BAKE.

Tube or Bundt Cakes. Do not preheat oven. Bake cakes for three-fourths of time on recipe or package directions using LOW MIX. Bake cake on broiling rack. If arcing occurs with fluted tube pan, place a heat-and-microwave-safe dish or plate between pan and broiling rack.

Angel Food. Do not preheat oven. Bake your recipe or a mix 25 to 30 minutes on LOW MIX or until crust is golden brown, firm and looks very dry in Angel Food Cake pan.

Loaf Cakes or Quick Breads. Do not preheat oven. Bake for three-fourths of time on recipe or package directions using LOW MIX. Test for doneness at minimum time. If loaf is not done, let stand in oven a few minutes to complete cooking.

Combination Baking Chart

FOOD	PROCEDURE
<p>Cakes: Your recipe or mix</p> <ul style="list-style-type: none"> • Tube or Bundt Cakes** • Angel Food • Loaf Cakes or Quick Breads 	<ul style="list-style-type: none"> • Bake on broiling rack three-fourths the recommended time on LOW MIX. • Bake 25 to 30 minutes on LOW MIX. • Bake three-fourths the recommended time on LOW MIX.
<p>Bar Cookies: Your recipe or mix</p>	<ul style="list-style-type: none"> • Bake three-fourths the recommended time or until wooden pick inserted in center comes out clean on LOW MIX.
<p>Pies</p> <ul style="list-style-type: none"> • Single Crust: baked before filling, your recipe, mix or frozen prepared • Double Crust • Crumb Top • Custard Pie • Pecan Pie • Frozen Prepared Fruit Pies • Frozen Prepared Custard Pies 	<ul style="list-style-type: none"> • Prick crust with fork. Preheat oven to 425°F. Bake on broiling rack 8 to 10 minutes or until lightly browned. Let cool before filling. • Preheat oven to 400°F. Bake on broiling rack 25 to 35 minutes on *HIGH MIX 400°F. • Preheat oven to 400°F. Bake on broiling rack 20 to 25 minutes on *HIGH MIX 400°F. • Prebake, following directions for single crust; cool. Fill with desired uncooked custard. Bake on round baking pan on broiling rack 35 minutes on *LOW MIX 325°F. If custard is not set, let stand in oven a few minutes. • Preheat oven to 350°F. Bake on broiling rack 25 to 30 minutes on LOW MIX. • Place on broiling rack and bake 30 to 40 minutes using *HIGH MIX 375°F. • Preheat oven to package temperature. Place on broiling rack and bake three-fourths of package time using LOW MIX and package temperature. If not set, let stand in oven a few minutes.

MANUAL CONVECTION AND AUTOMATIC MIX COOKING

Combination Baking Chart

FOOD	PROCEDURE
<p>Breads</p> <ul style="list-style-type: none"> Loaf: Your recipe or frozen, defrosted and proofed Braid or other shape Muffins: Large, bakery-style 	<ul style="list-style-type: none"> Bake 25 to 30 minutes on LOW MIX for 1 to 2 loaves. Remove metal turntable from oven. Place bread directly on metal turntable. Bake on LOW MIX three-fourths the recommended time. Bake three-fourths the recommended package or recipe time on LOW MIX.
<p>Desserts</p> <ul style="list-style-type: none"> Cheesecake Crisps and Cobblers 	<ul style="list-style-type: none"> Bake three-fourths the recipe time on LOW MIX or until center is nearly set. Bake three-fourths the recipe time on LOW MIX.
<p>** If arcing occurs while using a fluted tube pan, place a heat-resistant dish (Pyrex® pie plate, glass pizza tray or dinner plate) between the pan and the broiling rack.</p> <p>* Necessary to change temperature on HIGH MIX and LOW MIX.</p>	

Upside Down Spice Pear Cake

Makes 12 servings

Convection, Turntable and High Rack

A fast elegant dessert.

- 1 Spice cake mix, one package
- 2 pears, cored, sliced into 12 slices each
- 1 cup brown sugar, packed
- 1 cube butter, melted
- 8 Maraschino Cherries, sliced in half

1. Prepare spice cake mix as directed on package.
2. Prepare two 9-inch cake pans, divide melted butter and brown sugar into pans, and spread it evenly on bottom.
3. After peeling pears, cut in half and core seeds and remove stem. Place cut side down and cut from small end to large end, $\frac{1}{4}$ inch thick. Place slice pears in pan with larger end of pear near pan edge, go in a circle around pan.
4. Put 3 Maraschino Cherries halves in center with the rounded part of the cherry on bottom of each pan. Cut the other cherries into $\frac{1}{8}$ th. Place between each pear slice.
5. Divide batter between the two 9 inch cake pans.
6. Place **high rack** on **turntable**; place both the 9 inch cake pans in center of each turntable and rack. Close door.
7. Press PREHEAT, temperature 6_{350°F}, CONV. and temperature 6_{350°F} and then press time 4500 minutes. Check cake at 40 minutes, if not done continue 5 more minutes on program.
8. Cool for 5 minutes on cooling rack.
9. Invert on serving platter, you'll have two elegant Pear Cakes. Top off with whipping cream or vanilla ice cream if you wish. Surprise your family and guest with your creativity.

MANUAL CONVECTION AND AUTOMATIC MIX COOKING

Fiesta Cheese Strata

Makes 6 servings

Convection - Low Rack

A fast elegant dessert.

- 1 cup milk
- 1 cup (4 oz.) shredded sharp cheddar cheese
- 1/4 cup (1 oz.) grated parmesan cheese
- 1/4 teaspoon dry mustard
- 1/2 teaspoon salt
- Dash of cayenne pepper
- 3 egg yolks
- 2 cups bread, soft, cubed
- 1 teaspoon oil
- 1/2 cup onion, chopped, sauté
- 1/2 cup red pepper, sauté
- 1/2 cup green pepper, sauté
- 4 oz. mushrooms
- 3 egg whites, stiffly beaten, but not dry
- 1 large tomato, 6 slices

Pre-heat 325°F CONVECTION

1. Scald milk. Add cheddar cheese, parmesan cheese, mustard, salt and cayenne pepper. Stir to partially melt cheese. Add bread cubes; stir in egg yolks.
2. Sauté green, red pepper, onions and mushrooms in skillet with hot oil.
3. Beat egg whites until stiff. Fold-in beaten egg whites into cheese mixture until it is one color.
4. Spray with vegetable oil, 9-inch cake pan. Spread Strata mixture evenly in baking dish, place sliced tomatoes on top, around edge.
5. Press CONV., touch 5
325°F and enter max time of 40 minutes. Check at 35 minutes, if not done, close door and finish the 40 minute program. A silver knife should come clean when inserted in center of Strata.
6. Serve Hot.

For variety, you can add bacon, chicken, ham, and a variety of vegetables, like peas, broccoli, and asparagus, great for brunch.

BROIL

Preheating is automatic when the BROIL setting is used. Only actual cooking time is entered; the oven signals when it is preheated to 450°F. Oven temperature cannot be changed. Use BROIL setting for steaks, chops, chicken pieces and many other foods. See Convection Broiling Chart.

- Suppose you want to broil a steak for 15 minutes:

1. Touch BROIL pad.
2. Enter cooking time by touching the number pads 1500.
3. Touch START pad. No food in oven.

When the oven reaches the programmed temperature, a signal will sound 4 times*.

4. Open the door. Place food in oven. Close the door. Touch START pad.

* If the oven door is not opened, the oven will automatically hold at the preheat temperature for 30 minutes. After this time has elapsed, an audible signal will sound and the oven will turn off.

MANUAL CONVECTION AND AUTOMATIC MIX COOKING


Note:

1. Preheating for broil may take from 7 to 10 minutes depending on temperature of room and available power.
2. Although time is usually set for the maximum broiling time, always check food at the minimum time recommended in the chart. This will eliminate the need to completely reprogram the oven if additional cooking time is needed. Simply close the oven door and touch START to continue.
3. Should you need more broiling time, reprogram within 1 minute of the end to eliminate preheating.

Caution: The oven cabinet, cavity, door, turntable, turntable support, racks and dishes will become hot. To PREVENT BURNS, use thick oven gloves when removing the food or turntable from the oven.

SLOW COOK

SLOW COOK is preset at 300°F for 4 hours. The temperature can be changed to below 300°F. The cooking time cannot be changed. This feature can be used for foods such as baked beans or marinated chuck steak.

- Suppose you want to change oven temperature from 300°F to 275°F:
 1. Touch SLOW COOK pad.
 2. Touch SLOW COOK pad once more if you want to change the temperature from 300°F.
 3. Touch temperature pad .
 4. Touch START pad.

Note: If you do not change the temperature, omit steps 2 and 3.

Convection Broiling Chart

CUT	WEIGHT/THICKNESS	CONVECTION TIME
Beef		Rare : 10-13 min.
Rib-eye Steak	3/4-1 in. 7-8 oz. each	Medium : 14-16 min. Well Done : 17-20 min.
Steaks: Sirloin, Porterhouse, T-bone Rib-eye Steak	1-1 1/2 in. 7-8 oz. each	Rare : 10-13 min. Medium : 14-18 min. Well Done : 19-25 min.
Chuck, Steak	1 in.	Rare : 12-14 min. Medium : 15-18 min. Well Done : 19-23 min.
London Broil	1-1 1/4 in. 2 1/2-3 lbs.	Rare : 23-25 min. Medium : 26-30 min.
Hamburgers	1/4 lb. each	Medium : 13-15 min. Well Done : 18-20 min.

MANUAL CONVECTION AND AUTOMATIC MIX COOKING

Convection Broiling Chart

CUT	WEIGHT/THICKNESS	CONVECTION TIME
Pork		
Rib-eye Steak	3/4-1 in.	Well Done : 16-20 min.
Bacon	Regular sliced	4-5 min.
	Thick sliced	7-8 min.
Sausage: Brown 'n Serve Fresh	Patties: 1/2 in., 8 oz.-1 lb.	8-10 min.
	Links: 8 oz. - 1 lb.	8-10 min.
Ham, slice, fully cooked	3/4 in.	10-12 min.
Frankfurters	1 lb.	5-7 min.
Lamb		
Chops: rib, loin or center	3/4 in.	Medium : 12-14 min.
	3-4 oz. each	Well Done : 15-17 min.
Chicken		
Broiler-Fryer, halved, quartered or cut up	1-3 lbs.	25-35 min.
Fish		
Filletts	1/4-3/4 in.	6-7 min.
Steaks	3/4 in.	12-14 min.

Check chart above for maximum broiling time. Program oven for maximum time on BROIL or 450°F, following BROIL directions. Season and slash fat at 1-inch intervals. When audible signal sounds that oven is preheated, quickly put food in oven.

Spray rack and turntable with nonstick vegetable cooking spray for easy cleanup. Do not cover rack with aluminum foil, as it blocks the flow of warm air that cooks the food.

Cook for the minimum time recommended in the chart; then test for doneness. Time varies with the thickness or weight of meat and degree of desired doneness. Turning meat over is not necessary, as moving air cooks it on both sides.

Broil food in advance, if desired, then slice. Individual servings may be reheated as needed by microwaving at MEDIUM (50%).

Hawaiian Stuffed Mushrooms

Appetizers - 20+ serving

Broil

- 1 lb. mushrooms, fresh, medium to large in size
- 8 oz. cream cheese, soft
- 4 oz. Bay Shrimp or crab
- 8 oz. pineapple, crushed, drained
- 1/4 teaspoon garlic salt
- 2 tablespoons chives, chopped fine

MANUAL CONVECTION AND AUTOMATIC MIX COOKING

- 1/4 teaspoon garlic salt
- 1/4 teaspoon red pepper flakes
- 1 tablespoon olive oil
- 1/2 cup bread crumb, dried

1. Wash, dry, and remove stems from mushrooms, save stems for soup or a stew. If using bay shrimp, save out as many as you have mushrooms, put aside for topping.
2. Mix together cream cheese, shrimp or crab, crushed pineapple, chives, 1/4 teaspoon garlic salt and red pepper.
3. Add olive oil, garlic salt to breadcrumbs, and toss together, until coated.
4. Preheat Microwave convection for 5 minutes. Press BROIL, set time for 5-7 minutes, then press START.
5. Spoon the cream cheese mixture into the mushroom cap. Dip mushroom cap into bread crumbs. Place tiny shrimp on top, push down into cheese and bread crumb mixture.
6. Place on a low rack. Place low rack on turntable, press BROIL, set time for 5 minutes. Add more time if they are not hot enough.
7. Serve hot as a great appetizer

Teriyaki Sesame Chicken Wings

Appetizers - 20+ serving

Broil - Low Rack

- 2 1/2 lbs. chicken wings
- 1/2 cup soy sauce
- 1/2 cup sherry wine
- 1 tablespoon sesame oil
- 1/4 teaspoon black pepper
- 1/2 teaspoon cayenne pepper
- 1 teaspoon liquid hickory smoke
- 1/2 cup brown sugar
- 2 tablespoons cornstarch
- 2 tablespoons sesame seeds

1. Cut off chicken wing tips, discard, cut drummet at joint, wash.
2. In a 2 cup microwavable glass measure, add soy sauce, sherry wine, sesame seed oil, black pepper, cayenne pepper and liquid hickory smoke.
3. Mix brown sugar and cornstarch together, until it looks like one color, in a large bowl. Add to liquid. Microwave on high for 3 to 5 minutes, until it starts to thicken, stir every minute.
4. Add chicken to large bowl and pour hot liquid over chicken and marinate for 1 to 2 hours, stirring occasionally, cover.
5. Use low rack, spray with a vegetable oil. Place chicken wings on low rack. Sprinkle 1 tablespoon sesame seeds over chicken wings. Broil for 35 minutes on BROIL. Press BROIL, then press **3|5|0|0** minutes, press START. It should be a rich golden brown color. No need to turn wings, they will brown on both sides.

Serve warm as a finger food and plenty of napkins, a tasty delight.

MANUAL CONVECTION AND AUTOMATIC MIX COOKING

AUTOMATIC MIX COOKING

This oven has two pre-programmed settings that make it easy to cook with both convection heat and microwave automatically.

	Oven temperature	Microwave power
High mix/Roast	300°F	30%
Low mix/Bake	350°F	10%

With the exception of those foods that cook best by convection heating alone, most foods are well suited to mix cooking using either LOW MIX/BAKE or HIGH MIX/ROAST.

The marriage of these two cooking methods produces juicy meats, moist and tender cakes and fine textured breads, all with just the right amount of browning and crispness.

The temperatures can be changed; however, the microwave power cannot.

The oven temperature can be changed from 100°F to 450°F To change the temperature, first touch HIGH MIX or LOW MIX then touch the same pad again. When the display says SELECT TEMP, touch desired temperature pad. Example: High mix, HIGH MIX pad, [7]. The mix temperature will change to 375°F automatically.

To Cook with Automatic Mix

- Suppose you want to bake a cake for 25 minutes on LOW MIX/BAKE:

1. Touch LOW MIX/BAKE pad.
2. Enter cooking time by touching number pads [2][5][0][0].
3. Touch START pad.

To Preheat and Cook with Automatic Mix

Your oven can be programmed to combine preheating and automatic mix cooking operations. You can preheat at the same temperature as the preset combination temperature or change it to a different temperature.

- Suppose you want to preheat to 350°F and then cook 25 minutes on 325°F LOW MIX/BAKE:

1. Touch PREHEAT pad.
2. Touch temperature pad [6]_{350°F}.
3. Touch LOW MIX pad.
4. Touch LOW MIX pad once more to change the cooking temperature.
5. Touch temperature pad [5]_{325°F}.
6. Enter cooking time by touching number pads [2][5][0][0].
7. Touch START pad.

When the oven reaches the programmed temperature, signal will sound 4 times*. The oven will stop and directions will be displayed. Follow the indicated message.

8. Open the door. Place food in the oven. Close the door. Touch START pad.

- * If the oven door is not opened, the oven will automatically hold at the preheat temperature for 30 minutes. After this time has elapsed, an audible signal will sound and the oven will turn off.

Note: To program only preheat, touch the START pad after step 2. Preheating will start. When the oven reaches the programmed temperature, follow the indicated message.

MANUAL CONVECTION AND AUTOMATIC MIX COOKING

Helpful Hints for Convection and Automatic Mix Cooking

Your Convection Microwave Oven can cook any food perfectly because of the number of ways it can cook: microwave only, automatic mix, convection only or broil. This Use and Care Guide tells you how to program the oven, with excellent instructions, guidelines, hints, charts and recipes.

The oven cannot be used without the turntable in place. Never restrict the movement of the turntable.

Convection Cooking:

1. When preheating, the turntable can be left in or removed. When using the high rack for 2 shelf baking in a preheated oven, it is easier to remove the turntable for preheat.

Place high rack on turntable along with foods. When preheat is over, open oven door and quickly place turntable, high rack and foods to be baked inside.

2. Do not cover turntable, low rack or high rack with aluminum foil. It interferes with air flow that cooks food.
3. Round pizza pans are excellent cooking utensils for many convection-only items. Choose pans that do not have extended handles, 10", 12" and 14" size.
4. Using a preheated low rack can give a grilled appearance to steaks, hot dogs etc.

Automatic Mix Cooking:

1. Meats are best when roasted directly on the low rack. A dish can be placed below the meat if gravy is to be made from the drippings.
2. Less tender cuts of meat can be roasted and tenderized using oven cooking bags.
3. When baking, check for doneness after time has elapsed. If not completely done, let stand in oven a few minutes to complete cooking.

Note: During mix baking some metal baking utensils may cause arcing when they come in contact with the turntable, oven walls or accessory racks. Arcing is a discharge of electricity that occurs when microwaves come in contact with metal.

If arcing occurs, place a heat resistant dish (Pyrex® pie plate, glass pizza dish or dinner plate) between the pan and the turntable or rack. If arcing occurs with other metal baking utensils, discontinue their use for mix cooking.

MANUAL CONVECTION AND AUTOMATIC MIX COOKING

Breakfast Smoked Sausage Pizza

Makes 6-8 servings

Low Mix - Low Rack

Crust

- 3 cups biscuit mix
- ³/₄ cup milk
- 1 egg

Filling

- 4 eggs
- 1 lb. cooked smoked sausage cut in slices ¹/₂ inch thick.
- 8 oz. cream cheese, soften
- 1 cup cheddar cheese, shredded
- 2 green onions, slice fine
- ¹/₈ teaspoon salt and pepper

1. Mix all the crust ingredients together in medium bowl; knead dough on flour board about 10 to 12 times. Spray 14-inch pizza pan with vegetable oil.
2. Spread dough, using your hands or the back of wooden spoon to spread evenly in pizza pan, start to go up sides.
3. Touch PREHEAT pad, press 6
350°F, touch LOW MIX, enter time 2000, and touch START pad. This will start the Preheat and your program for this dish.
4. In mixer, beat eggs with soften cream cheese, till smooth, add salt and pepper.
5. Place cut sausages ¹/₂ inch from edge, press towards edge to make a lip around pizza and place the rest of the sausage evenly thru out the dough.
6. Pour egg mixture over pizza dough up to 1 inch from edge.
7. Sprinkle cheddar cheese and green onions over topping.
8. When the bell rings four times, the oven is preheated. Place pizza pan on low rack, then press START. It is programmed to stop at 20 minutes.

This recipe can be cut in half for fewer servings using the 7 or 9-inch pizza pan, serves four people. Change time to 15 minutes. Always check to see if the eggs are cooked. Serve with fresh fruit, you have a complete delicious meal.

MANUAL CONVECTION AND AUTOMATIC MIX COOKING

Apple Puff Oven Pancake

Makes 6 servings

Low Mix

- 2 tablespoons butter
- 3 large eggs
- 1/2 cup unbleached flour
- 1/2 cup milk
- 1/4 teaspoon salt

- 4 tart apples, large, peeled, cored, sliced thin
- 2 tablespoons butter
- 1/2 cup brown sugar
- 1/4 teaspoon nutmeg
- 1/2 teaspoon cinnamon
- Pinch of salt
- 1 teaspoon cornstarch
- 3 drops red food coloring

Preheat Oven on LOW MIX at 400°F.

- Prepare apples, melt butter in large skillet, and add thinly cut apples, sugar, cinnamon, nutmeg, salt, cornstarch and food coloring. Stir and cook till caramelized and limp. Cover and keep warm after cooking.
- Place butter in a 9 or 10 inch Pyrex pie plate. Place Pyrex dish in oven on low rack for 3 minutes on LOW MIX or until butter melts and bubbles, while oven is preheating.
- In a bowl, beat eggs, till creamy yellow. Add flour, milk, and salt. Beat till smooth. Immediately pour into the hot Pyrex pie pan over hot butter. Close door. Press LOW MIX twice; change temperature to 400°F, by pressing **8**_{400°F}, then press in **1500** minutes for time. Press START, egg batter will gradually go up sides and turn golden brown around the edges. Pour hot apple mixture on top of cooked puff pancake, serve immediately while hot.

This is a great brunch idea or a wonderful quick dessert for a fall or winter day.

MANUAL CONVECTION AND AUTOMATIC MIX COOKING

Lemon Curd Tart

Makes 10-12 servings

Low Mix - Low Rack

With this dark sweet pastry as the shell of our tart, it brings out the brilliant yellow color and the tangy taste of the curd.

Dark Sweet Pastry Dough

- 1 large egg
 - 2 tablespoons heavy Cream
 - 1/2 teaspoon vanilla extract
 - 1 cup flour, unbleached, plus 1 tablespoon for dusting
 - 1/4 cup cornstarch
 - 2/3 cup powder sugar
 - 1/4 teaspoon salt
 - 8 tablespoons butter or 1 cube, very cold, cut into 14 pieces
- Parchment paper, 12 x 12 inches.

This sweet dark crust has lots of flavor that is brought out with the Low Mix baking.

1. In a small bowl, whisk egg yolk, cream and vanilla together.
2. Use your food processor with steel blade, process, flour, sugar, cornstarch and salt for 5 to 10 seconds.
3. Scatter butter pieces on top of flour mixture, pulse on and off for 15 to 20 seconds, till it looks like course meal.
4. While processor is "on", add egg, cream pulse for about 20 to 25 seconds, till it comes together into a ball.
5. Turn dough out on a 14 inch piece of plastic wrap. Flatten dough to make a 6 inch circle, wrap tightly, refrigerate for 2 hours or freeze for 30 minutes.
6. Unwrap dough, sprinkle flour onto Parchment or wax paper. Place dough on top of parchment; roll out 1 inch larger than tart pan. Always roll from the center out, go a different direction on each roll.
7. Press PREHEAT, 6_{350°F}. Touch LOW MIX, and Touch 6_{350°F}, enter time 1800, low rack position, press START.
8. Roll dough onto rolling pin, place over 2 piece tart pan. Unroll over tart pan.
9. Lift edges of dough, ease into tart bottom, and don't stretch dough.
10. Press dough into the fluted edges, it should be 1/4 inch thick around fluted edges. Add more dough around edge, if it's not thick enough.
11. With rolling pin, roll over top edge, remove the extra dough. Push dough into corners of tart pan.
12. Make two 12 x 6 inch strips of wax paper, fold to make 1 inch roll by 12 inches long. Place wax paper on inside edge seam to hold dough in place while baking or use weighted beads or beans along bottom seam.
13. Place in preheated oven, low rack, for 18:00 minutes. Pastry will look dark.
14. While crust is baking, prepare the Lemon Curd Filling for tart.

MANUAL CONVECTION AND AUTOMATIC MIX COOKING

Lemon Curd Tart Filling

Convection - Low Rack

- 1 9 to 10 inch baked dark sweet tart shell
- 7 eggs yolks, large
- 1 whole eggs, large
- 1¹/₂ cups powder sugar
- 1 tablespoon lemon zest
- ³/₄ cup lemon juice, fresh, (4 to 5)
- ¹/₂ cup water
- ¹/₄ teaspoon salt
- ¹/₄ cup cream

1. While tart crust is baking, make Lemon Curd filling.
2. Whisk together yolk and whole eggs in non-reactive medium size bowl for about 5 seconds.
3. Hint: Zest lemons first when they are still cold or at room temperature, using the yellow skin only, white is very bitter.
4. Before cutting lemons, rolls lemons with the palm of your hands on a hard surface, then place all the lemons in the microwave for 20 to 25 second, usually 5 to 10 seconds per lemon. You will get more juice from your lemons from this method.
5. Add sugar, lemon juice, zest and salt, whisk together.
6. Pour into medium sauce pan, cook over medium heat, stirring with a wooden spoon constantly. It should thicken and read a temperature 170°F on the instant read thermometer, about 5 minutes. Remove from range.
7. Pour curd through a wire sieve strainer, using a back of a wooden spoon to push the curd through the sieve, into a medium size bowl. It will be silky smooth.
8. Add cream, whisk till blended.
9. Pour Lemon Curd into warm tart pan, smooth out equally over crust tart.
10. Press CONVECTION. Touch 6
350°F, and press 1500 for time. When done, center will jiggle a little. Take out of oven, place on cooling rack to cool for at least 45 minutes.
11. Remove outer fluted ring, and take a long metal spatula, slip it under the tart bottom and release from the bottom of tin, place on serving platter.
12. Cut when completely cool, garnish with fresh mint, fresh berries of the season.

The dark sweet crust enhances the appearance of the bright yellow curd, a wonderful combination, and a very refreshing taste.

MANUAL CONVECTION AND AUTOMATIC MIX COOKING

Cuban Flan

Makes 12 servings

Low Mix - Low Rack

Flan

- 4 oz. cream cheese
- 4 whole eggs, large
- 2¹/₂ cups sweetened condense milk
- 2 cups milk

Caramel Sauce

- 2¹/₃ cups granulated sugar
- ¹/₂ teaspoon lemon juice
- ³/₄ cup hot water

1. Place the sugar and the lemon juice into a saucepan. Cook, stirring constantly with a wooden spoon over medium heat. The sugar will start to melt and change its color to a caramel. Continue to cook the sugar till it reaches the desired color.
2. Carefully pour in the hot water very slowly, while continuing to cook, keep stirring. Once dissolved into a syrup, stop the cooking and cool completely. In its cooled state, add additional water as needed to thin to the proper consistency.

Flan Mixture

1. Soften the cream cheese to room temperature. Place into a mixer with a paddle attachment. Add in the eggs one at a time and incorporate till the mixture is smooth. Scrape down the bowl to make sure that all of the cream cheese is mixed evenly with the eggs.
2. Add in slowly the sweetened condense milk and the milk till blended well. Before pouring it into the 8¹/₂ x 4¹/₂-loaf bread pan, strain mixture through a sieve to avoid any lumps from the cream cheese or parts of the egg. Pour caramel sauce on bottom of loaf pan, just to cover. Pour Flan over caramel sauce.
3. Place loaf pan inside of 9 x 13-cake pan.
4. Boil 4 cups of water in the microwave oven.
5. Place Flan loaf inside 9 x 13-cake pan; place on low rack on turntable in microwave oven. Pour hot water into 9 x 13 pan, up to ³/₄ inch from top of pan. Make sure 9 x 13 pan is centered and can turn completely without touching sides of the microwave oven.
6. Press LOW MIX. Press **4|5|0|0** minutes. Close door. Press START. Using a silver knife, place in center of Flan, it should come out clean, and center should be firm and not jiggle. If not done add some extra time, it should be firm.
7. Carefully remove Flan from hot water bath, cool completely, refrigerate. Unmold when cool, run a knife around edges, turn upside down on your serving platter. It should be firm to slice, ³/₄ inch wedges. Place on plate and use the extra caramel sauce to top Flan, serve with fresh fruit or some sprigs of mint.

MANUAL CONVECTION AND AUTOMATIC MIX COOKING

Spicy Mex-Fried Chicken

Makes 4-6 servings

High Mix

- 4 oz. Cheese crackers crumbs, fine
- 2 tablespoons Taco Mix, dry
- 1 egg
- 1 tablespoon water
- 4-6 chicken legs and thighs, or 4-6 Breast or 1 whole cut up chicken

1. Use food processor to process cheese cracker with taco mix. Pour mixture on to plate.
2. Mix egg with 1 tablespoon water in small bowl.
3. Wash chicken, pat dry.
4. Dip chicken pieces into egg wash, then into cracker crumbs, place chicken on lower rack on top of turntable. Place largest pieces of chicken along the edge and smaller piece in the center of rack. Evenly distribute the meat.
5. Press HIGH MIX twice, then 7
375°F, for time press 3000 minutes. Correct temperature for thighs and legs is 180°F and chicken breast 170°F for doneness. Check at 25 minutes for temperatures, if not done you still have another 5 minutes on your program left. Close door and continue, if not done. Using an instant read thermometer in each chicken piece is always a good idea. Chicken should always be fully cooked.

This is a tasty meal, while chicken is cooking fix a green salad with vegetables and fruit. Watch this chicken dish disappear fast.

OTHER CONVENIENT FEATURES

MULTIPLE SEQUENCE COOKING

The oven can be programmed for up to 4 automatic cooking sequences for the microwave mode and 2 automatic cooking sequences with preheat for convection/mix mode, switching from one power level setting to another automatically.

Sometimes cooking directions tell you to start on one power level and then change to a different power level. Your oven can do this automatically.

- Suppose you want to cook roast beef for 5 minutes at 100% and then continue to cook for 30 minutes at 50%:

1. First touch POWER LEVEL pad twice for 100% power. Then enter cooking time.
2. Touch POWER LEVEL pad. Touch number pad **5** for 50% power. Then enter second cooking time.
3. Touch START pad.

Note:

1. If POWER LEVEL pad is touched twice, HIGH will be displayed.
2. If you wish to know power level, simply touch the POWER LEVEL pad. As long as your finger is touching the POWER LEVEL pad, the power level will be displayed.

MORE OR LESS TIME ADJUSTMENT

Should you discover that you like any of the SENSOR, SENSOR COOK, DEFROST, AUTO BROIL, AUTO ROAST or AUTO BAKE settings slightly more done, touch the POWER LEVEL pad once after touching your choice of pads.

Should you discover that you like any of the SENSOR, SENSOR COOK, DEFROST, AUTO BROIL, AUTO ROAST or AUTO BAKE settings slightly less done, touch the POWER LEVEL pad twice after touching your choice of pads.

EXTRA MINUTE

EXTRA MINUTE allows you to cook for a minute at 100% by simply touching the EXTRA MINUTE pad. You can also extend cooking time in multiples of 1 minute by repeatedly touching the EXTRA MINUTE pad during manual cooking.

- Suppose you want to heat a cup of soup for one minute.

Touch EXTRA MINUTE pad.

Note:

1. To use EXTRA MINUTE, touch pad within 1 minute after cooking, closing the door, touching the Stop/Clear pad or during cooking.
2. EXTRA MINUTE cannot be used with SENSOR, SENSOR COOK, DEFROST, AUTO BROIL, AUTO ROAST or AUTO BAKE.

HELP MENU

HELP MENU provides 5 features which make using your microwave oven easy because specific instructions are provided in the interactive display.

1. Safety Lock

The Safety Lock prevents unwanted microwave oven operation such as by small children. The microwave oven can be set so that the control panel is deactivated or locked. To set, touch HELP MENU, the number **1** and START pads. Should a pad be touched, LOCK will appear in the display.

To cancel, touch HELP MENU and STOP/CLEAR pads.

OTHER CONVENIENT FEATURES

2. Audible Signal Elimination

If you wish to have the microwave oven operate with no audible signals, touch HELP MENU, the number **2** and STOP/CLEAR pads.

To cancel and restore the audible signal, touch HELP MENU, the number **2** and START pads.

3. Auto Start

If you wish to program your microwave oven to begin cooking automatically at a designated time of day, follow this procedure:

- Suppose you want to start cooking a stew on 50% for 20 minutes at 4:30. Before setting, check to make sure the clock is showing the correct time of day.
1. Touch HELP MENU pad.
 2. Touch number **3** to select the Auto Start.
 3. To enter the start time at 4:30, touch numbers **4**, **3** and **0**.
 4. Touch CLOCK pad.
 5. To enter cooking program, touch POWER LEVEL, number **5** and then touch numbers **2**, **0**, **0**, and **0** for cooking time.
 6. Touch START pad. The chosen Auto Start time will appear in the display.

Note:

1. Auto Start can be used for manual cooking, AUTO BROIL, AUTO ROAST, AUTO BAKE, if clock is set.
2. If the microwave oven door is opened after programming Auto Start, it is necessary to touch the START pad for Auto Start time to appear in the readout so that the microwave oven will automatically begin programmed cooking at the chosen Auto Start time.
3. Be sure to choose foods that can be left in the microwave oven safely until the Auto Start time. Acorn or butternut squash are often a good choice.
4. If you wish to know the time of day, simply touch the CLOCK pad. As long as your finger is touching the CLOCK pad, the time of day will be displayed.

4. Language Selection

The microwave oven comes set for English. To change, touch HELP MENU and the number **4** pads. Continue to touch the number **4** pad until your choice is selected. Then, touch START pad.

Touch number **4** once for English.

Touch number **4** twice for Spanish.

Touch number **4** three times for French.

5. Weight and Temperature Selections

The microwave oven comes set for U.S. Customary Unit-pounds. To change, touch HELP MENU and the number **5**. Continue to touch the number **5** until your choice is selected. Then, touch START pad.

Touch number **5** once for LB / °F.

Touch number **5** twice for KG / °C.

OTHER CONVENIENT FEATURES

KITCHEN TIMER

- Suppose you want to time a 3 minute long distance phone call.

1. Touch KITCHEN TIMER pad.
2. Enter time by touching the number pads **3****0****0**.
3. Touch START pad.

START

START allows you to cook at 100% power by touching the START pad continuously. START is ideal for melting cheese, bringing milk to just below boiling etc.

The maximum cooking time is 3 minutes.

- Suppose you want to melt cheese on a piece of toast:
1. Continuously touch the START pad. The cooking time will begin counting up.
 2. When the cheese is melted to desired degree, remove finger from START pad. Microwave oven stops immediately.

Note:

1. Note time it takes for frequently used foods and program that time in the future.
2. To use START, touch pad within 1 minute after cooking, opening and closing the door or touching the STOP/CLEAR pad.
3. START can only be used 3 times in a row. If more times are needed, open and close door or touch STOP/CLEAR.

HELP (DISPLAY INDICATOR)

Each setting of DEFROST, AUTO BROIL, AUTO ROAST, AUTO BAKE, SENSOR COOK and SENSOR has a cooking hint. If you wish to check, touch HELP MENU pad whenever HELP is lighted in the Interactive Display for these hints.

DEMONSTRATION MODE

To demonstrate, touch CLOCK, the number **0** and then touch START pad and hold for 3 seconds. DEMO ON will appear in the display. Cooking operations and specific special features can now be demonstrated with no power in the microwave oven. For example, touch EXTRA MINUTE pad and the display will show 1.00 and count down quickly to END.

To cancel, touch CLOCK, then the number **0** and STOP/CLEAR pads. If easier, unplug the microwave oven from the electrical outlet and replug.

CLEANING AND CARE

Disconnect the power cord before cleaning or leave the door open to inactivate the microwave oven during cleaning.

Exterior

The outside surface is painted. Clean the outside with mild soap and water; rinse and dry with a soft cloth. Do not use any type of household or abrasive cleaner.

Door

Wipe the window on both sides with a damp cloth to remove any spills or splatters. Metal parts will be easier to maintain if wiped frequently with a damp cloth. Avoid the use of spray and other harsh cleaners as they may stain, streak or dull the door surface.

CLEANING AND CARE

Touch Control Panel

Care should be taken in cleaning the touch control panel. If the control panel becomes soiled, open the microwave oven door before cleaning. Wipe the panel with a cloth dampened slightly with water only. Dry with a soft cloth. Do not scrub or use any sort of chemical cleaners. Close door and touch STOP/CLEAR pad.

Interior - after microwave cooking

Cleaning is easy because little heat is generated to the interior surfaces; therefore, there is no baking and setting of spills or spattering. To clean the interior surfaces, wipe with a soft cloth and warm water. DO NOT USE ABRASIVE OR HARSH CLEANERS OR SCOURING PADS. For heavier soil, use baking soda or a mild soap; rinse thoroughly with hot water. NEVER SPRAY OVEN CLEANERS DIRECTLY ONTO ANY PART OF THE MICROWAVE OVEN.

Interior - after convection, mix or broil cooking

Spatters may occur because of moisture and grease. Wash immediately after use with hot, soapy water. Rinse and polish dry. Harder to remove spatters may occur if oven is not thoroughly cleaned or if there is long time/high temperature cooking. If so, you may wish to purchase an oven cleaner pad with liquid cleaner within it—not a soap filled steel pad—for use on stainless or porcelain surfaces. Follow manufacturer's directions carefully and be especially cautious not to get any of the liquid cleaner in the perforations on the wall or ceiling or any door surfaces. Rinse thoroughly and polish dry.

After cleaning the interior thoroughly, residual grease may be removed from the interior ducts and heater by simply operating the oven on 450°F for 20 minutes without food. Ventilate the room if necessary.

Waveguide Cover

The waveguide cover is made from mica so requires special care. Keep the waveguide cover clean to assure good microwave oven performance. Carefully wipe with a damp cloth any food spatters from the surface of the cover immediately after they occur. Built-up splashes may overheat and cause smoke or possibly catch fire. Do not remove the waveguide cover.

Odor Removal

Occasionally, a cooking odor may remain in the microwave oven. To remove, combine 1 cup water, grated peel and juice of 1 lemon and several whole cloves in a 2-cup glass measuring cup. Boil for several minutes using 100% power. Allow to set in microwave oven until cool. Wipe interior with a soft cloth.

Turntable/Turntable Support/Racks

The turntable, turntable support and racks can be removed for easy cleaning. Wash them in mild, sudsy water; for stubborn stains use a mild cleanser and a non-abrasive scouring sponge. They are also dishwasher-proof. Use top rack of dishwasher for turntable support.

Foods with high acidity, such as tomatoes or lemons, will cause the porcelain enamel turntable to discolor. Do not cook highly acidic foods directly on the turntable; if spills occur, wipe up immediately.

The turntable motor shaft is not sealed, so excess water or spills should not be allowed to stand in this area.

SPECIFICATIONS

AC Line Voltage:	UL Rating - Single phase 120V, 60Hz, AC only CSA Rating - Single phase 117V, 60Hz, AC only
AC Power Required:	UL Rating - Microwave 1.55 kw, 13.0 amps. UL Rating - Convection 1.55 kw, 13.0 amps. CSA Rating - Microwave 1.5 kw, 13.0 amps. CSA Rating - Convection 1.5 kw, 13.0 amps.
Output Power:	
Microwave*	900 watts
Convection Heater	1450 watts
Frequency:	2450 MHz
Outside Dimensions:	24 5/8"(W) x 14 7/8"(H) x 19"(D)
Cavity Dimensions:	16 1/8"(W) x 9 5/8"(H) x 16 1/8"(D)
Microwave oven Capacity:**	1.5 Cu. Ft.
Cooking Uniformity:	Turntable system, diameter 15 3/8"
Weight:	Approx. 60 lb


* The International Electrotechnical Commission's standardized method for measuring output wattage. This test method is widely recognized.

** Internal capacity is calculated by measuring maximum width, depth and height. Actual capacity for holding food is less.

In compliance with standards set by:

FCC - Federal Communications Commission Authorized.

DHHS - Complies with Department of Health and Human Services (DHHS) rule, CFR, Title 21, Chapter I, Subchapter J.

 - This symbol on the nameplate means the product is listed by Underwriters Laboratories, Inc. for use in USA or Canada.

NHW - Department of National Health and Welfare of Canada.

This microwave oven is listed by the Canadian Standard Association as certified.

SERVICE CALL CHECK

Please check the following before calling for service:

1. Place one cup of water in a glass measuring cup in the microwave oven and close the door securely.

Operate the microwave oven for one minute at HIGH 100%.

- | | | |
|--|-----------|----------|
| A. Does the microwave oven light come on? | YES _____ | NO _____ |
| B. Does the cooling fan work?
(Put your hand over the rear ventilating openings.) | YES _____ | NO _____ |
| C. Does the turntable rotate?
(It is normal for the turntable to turn in either direction.) | YES _____ | NO _____ |
| D. Is the water in the microwave oven warm? | YES _____ | NO _____ |

2. Remove water from the oven and operate the oven for 5 minutes at AUTO 450°F.

Operate the microwave oven for one minute at HIGH 100%.

- | | | |
|---|-----------|----------|
| A. Do CONV and COOK indicators light? | YES _____ | NO _____ |
| B. After the oven shuts off, is inside of the microwave oven hot? | YES _____ | NO _____ |

If "NO" is the answer to any of the above questions, please check electrical outlet, fuse and/or circuit breaker. If they are functioning properly, CONTACT YOUR NEAREST DCS AUTHORIZED SERVICER.

A microwave oven should never be serviced by a "do-it-yourself" repair person.

Note: If time appearing in the display is counting down very rapidly, check Demonstration Mode on page 50 and cancel.

WARRANTY

LENGTH OF WARRANTY

One (1) year parts and labor. The warranty period continues for an additional four (4) years, for a total of five (5) years, with respect to the magnetron tube in the Product for parts only; labor and service are not provided free of charge for this additional period.

DCS WILL PAY FOR

All repair labor and parts found to be defective due to materials or workmanship for one full year from date of purchase. Service must be provided by Authorized Factory Agent during normal working hours.

DCS WILL NOT PAY FOR

- Installation or start-up.
- Shipping damage.
- Service by an unauthorized agency.
- Damage or repairs due to service by an unauthorized agency or the use of unauthorized parts.
- Service during other than normal working hours
- Improper installation, such as improper hook-up, etc.
- Service visits to teach you how to use the appliance; correct the installation; reset circuit breakers or replace home fuses
- Repairs due to other than normal household use.
- Damage caused from accident, abuse, alteration, misuse, incorrect installation or installation not in accordance with local codes
- Units installed in non-residential application such as day care centers, bed and breakfast centers, churches, nursing homes, restaurants, hotels, schools, etc.

This warranty applies to appliances used in residential applications; it does not cover their use in commercial situations.

This warranty is for products purchased and retained in the 50 states of the U.S.A., the District of Columbia and Canada. This warranty applies even if you should move during the warranty period. Should the appliance be sold by the original purchaser during the warranty period, the new owner continues to be protected until the expiration date of the original purchaser's warranty period.

This warranty gives you specific legal rights. You may also have other rights which vary from state to state.



PERFECT HEAT.

FOUR MICRO-ONDES À CONVECTION

Guide d'installation/utilisation et entretien



MODÈLE:
CMO24SS



UN MESSAGE À NOS CLIENTS

Merci d'avoir choisi ce four micro-ondes DCS à convection. Du fait des caractéristiques uniques de cet appareil nous avons développé le présent manuel d'utilisation et d'entretien. Il contient des informations utiles sur la façon de faire fonctionner et d'entretenir convenablement votre nouvel appareil pour des années de cuisine sûre et agréable.

Pour nous aider à mieux vous servir, veuillez remplir et nous retourner la carte d'enregistrement d'appartenance. Gardez ce guide à portée de main car il vous aidera à répondre aux questions que vous pourrez vous poser au fur et à mesure de l'utilisation de votre nouvel appareil.

Pour votre commodité vos questions sur le produit peuvent trouver leurs réponses par un agent du service à la clientèle de DCS, que vous pourrez joindre : par téléphone au 1-888-281-5698 ; par télécopie au 714-372-7004 ; par courriel à support@dcsappliances.com ; par la poste à l'adresse :

DCS

Attention: Customer Care Center

5800 Skylab Road

Huntington Beach, CA 92647

www.dcsappliances.com

PRÉCAUTIONS POUR ÉVITER LE RISQUE D'UNE EXPOSITION AUX MICRO-ONDES

- **Ne pas essayer de faire fonctionner ce four lorsque que la porte est ouverte, car le fonctionnement avec la porte ouverte pourrait entraîner une exposition dangereuse aux micro-ondes. Il est important que le système de fermeture de sûreté ne soit pas désamorcé ou modifié.**
- **Ne placer aucun objet entre le cadre et la porte du four et ne pas laisser de saleté ou de traces de produits de nettoyage s'accumuler sur les surfaces d'étanchéité**
- **Ne pas utiliser le four s'il est endommagé. Il est particulièrement important que la porte ferme correctement et que les éléments suivants ne présentent pas de défauts : (1) porte (gauchie), (2) charnières et verrous (brisés ou desserrés), (3) joints et surfaces d'étanchéité de la porte.**
- **Le four ne doit être réglé ou réparé que par du personnel d'entretien qualifié.**

VEUILLEZ CONSERVER CE MANUEL COMME RÉFÉRENCE FUTURE.

TABLE DES MATIÈRES

Précautions à prendre pour éviter le risque d'une exposition aux micro-ondes	2	Convection automatique fonctions.....	30-32
Table des matières	3	Auto Broil (Voûte automatique)	30
Importantes consignes de sécurité	4-5	Auto Roast (Rôtissage automatique)	31
Instructions de déballage	5	Auto Bake (Sole automatique)	32
Instructions de mise à la terre ...	6	Cuisson par convection/ combinaison automatique	33-49
Renseignements utiles	7-13	Cuisson par convection	33-38
Le four à micro-ondes	7	Broil (Gril)	38
À propos des enfants et du four à micro-ondes	7	Slow Cook (Cuisson lente)	39-41
À propos de la cuisson aux micro-ondes	7-8	Cuisson avec combinaison automatique	42-49
Préparation de divers aliments	8	Autres particularités pratiques ..	50-52
Ustensiles et couvercles	9-12	Séquence de cuisson multiple	50
À propos de la sécurité	13	Réglage des temps de cuisson	50
Nomenclature	14-15	Extra Minute (Minute supplémentaire)	50
Avant l'usage	16	Help Menu (Menu d'aide)	50-51
Réglage de l'horloge	16	Kitchen Timer (Minuterie de cuisine)	52
Arrêt/annulation	16	Start (Démarrage)	52
Fonctionnement manuel	17	Help (Aide-Indication à l'affichage) .	52
Cuisson par micro-ondes	17	Mode de démonstration	52
Réglage du niveau de puissance ...	17	Nettoyage et entretien	52-53
Décongélation manuelle	17	Fiche technique	54
Micro-ondes particularités	18-28	Appel de service	55
Principes de cuisson au micro-ondes	18	Garantie	56
Décongélation des aliments surgelés	18-19		
Reheating (Réchauffage)	19-24		
Defrost (Décongélation)	25		
Sensor (Cuisson au capteur)	26		
Sensor reheat (Capteur de réchauffage)	27		
Popcorn	27		
Sensor Cook (Cuisson au capteur) ..	27-29		

IMPORTANTES CONSIGNES DE SÉCURITÉ

Certaines précautions de sécurité devraient toujours être prises lorsqu'on se sert d'appareils électriques :

AVERTISSEMENT - Pour réduire les risques de brûlures, de chocs électriques, de feu, de blessures ou d'exposition aux micro-ondes :

1. Lire toutes les instructions avant de se servir de l'appareil.
2. Lire et suivre les PRÉCAUTIONS POUR ÉVITER LE RISQUE D'UNE EXPOSITION AUX MICRO-ONDES à l'intérieur de la couverture avant.
3. Cet appareil doit être mis à la terre. Brancher seulement à une prise à trois broches. Se reporter aux «INSTRUCTIONS DE MISE À LA TERRE», page 6.
4. Installer ou placer l'appareil conformément aux instructions d'installation fournies.
5. Certains produits comme des oeufs entiers et des contenants scellés — par exemple des bocaux en verre fermés — peuvent exploser et ne devraient pas être utilisés dans ce four
6. N'utiliser cet appareil qu'aux fins décrites dans ce manuel. Ne pas utiliser de produits corrosifs dans le four à micro-ondes. Ce four a été conçu pour la cuisson et le réchauffage des aliments, non pour un usage industriel ou des travaux en laboratoire.
7. Comme pour tout appareil, exercer une surveillance étroite quand des enfants l'utilisent.
8. Ne pas faire fonctionner l'appareil si le cordon ou la fiche sont endommagés, si l'appareil ne fonctionne pas bien ou s'il a été endommagé ou est tombé.
9. Cet appareil ne doit être réparé que par du personnel de service autorisé. Communiquer avec le service de réparations autorisé DCS le plus proche pour un examen, une réparation ou un réglage.
10. Ne couvrir ou bloquer aucune ouverture de l'appareil.
11. Ne pas laisser, ni utiliser cet appareil à l'extérieur. Ne pas utiliser ce produit auprès de l'eau – comme par exemple près d'un évier de cuisine, dans un sous-sol humide, près d'une piscine ou dans d'autres endroits semblables.
12. Ne pas immerger le cordon ou la fiche dans l'eau.
13. Garder le cordon loin des surfaces chauffées.
14. Ne pas laisser pendre le cordon de la table ou du comptoir.
15. Voir les instructions pour le nettoyage de la surface de la porte à la page 53.
16. Pour réduire les risques de feu à l'intérieur du four :
 - a. Ne pas trop faire cuire les aliments. Rester prudemment près du four lorsqu'on utilise du papier, du plastique ou tout autre matériel combustible pour faciliter la cuisson.
 - b. Retirer les attaches de métal des sacs de papier ou de plastique avant de mettre les sacs au four.
 - c. Si les matériaux à l'intérieur du four prennent feu, garder la porte du four fermée, arrêter le four et débrancher la fiche ou couper l'électricité au panneau d'entrée.
 - d. Ne pas utiliser la cavité comme espace de rangement. Ne laisser ni papier, ni ustensiles, ni aliments dans la cavité lorsque l'appareil n'est pas utilisé.
17. Des liquides tels que l'eau, le café ou le thé peuvent chauffer au-delà du point d'ébullition sans qu'aucun bouillonnement n'apparaisse. Ainsi, quand le contenant est retiré du four, il peut ne pas y avoir d'ébullition ou de bouillonnement apparents. IL PEUT EN RÉSULTER UN DÉBORDEMENT DES LIQUIDES TRÈS CHAUDS LORSQU'UNE CUILLER OU UN AUTRE USTENSILE EST INSÉRÉ DANS LE LIQUIDE.

IMPORTANTES CONSIGNES DE SÉCURITÉ

- Pour réduire le risque de blessures personnelles:
- Ne pas trop chauffer le liquide.
 - Remuer le liquide et avant de le chauffer et à mi-cuisson.
 - Ne pas utiliser de contenants à bords droits et à goulot mince. Utiliser un bocal à large goulot.
 - Après le chauffage, laisser reposer le contenant dans le four à micro-ondes pour au moins 20 secondes avant de le retirer.
 - Lors d'insérer une cuiller ou un autre ustensile dans le contenant, le faire très soigneusement.
18. Si le four est installé encastré, suivre ces instructions :
- Ne pas monter ce four au-dessus d'un évier.
 - Ne rien poser au dessus du four quand il est en fonctionnement.
19. Si la lumière du four ne s'allume pas, communiquer avec un BUREAU DE SERVICE DCS AUTORISÉ.

CONSERVER CE MODE D'EMPLOI

INSTRUCTIONS DE DÉBALLAGE

DÉBALLAGE ET INSPECTION DU FOUR

Retirer tous les matériaux d'emballage qui se trouvent à l'intérieur de la cavité du four; cependant, **NÉ PAS ENLEVER LE COUVERCLE DU GUIDE D'ONDES** qui se trouve sur la paroi supérieure de la cavité du four. Lire les pièces jointes et **CONSERVER** le manuel d'utilisation.

Vérifier que le four n'a subi aucun dommage, en particulier que la porte n'est ni tordue ni décentrée, que les joints et les surfaces d'étanchéité ne sont pas endommagés, que les charnières et les verrous ne sont pas brisés ou desserrés et que la porte ou l'intérieur de la cavité ne porte aucune trace de coups. Si on constate quelque dommage que ce soit, ne pas faire fonctionner le four et communiquer avec le détaillant ou un BUREAU DE SERVICE DCS AUTORISÉ.

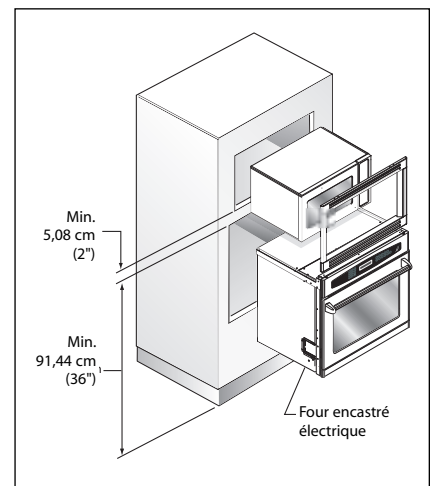
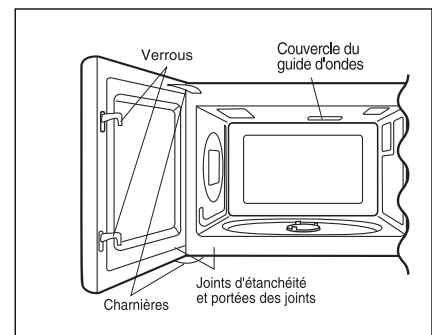
CHOIX D'UN EMPLACEMENT POUR LE FOUR

Un four étant un appareil d'usage fréquent, il est conseillé de choisir un emplacement commode. Dans la mesure du possible, prévoir un plan de travail à côté du four. Il faut prévoir un espace d'au moins 5 cm de chaque côté, au-dessus et à l'arrière du four pour la circulation d'air.

Votre four peut se monter dans un meuble ou au mur tout seul, ou au-dessus de tout four mural DCS en utilisant le kit intégré référence plus bas. Il ne peut pas se monter au-dessus de cuisinières conventionnelles à gaz ou électriques, ou de tous les autres modèles de fours muraux.

Kits DCS : CMOSTK27, CMOSTK30

Fours encastrés DCS : WO-127, WO-130, WOS-127, WOS-130



INSTRUCTIONS DE MISE À LA TERRE

Cet appareil doit être mis à la terre. Ce four est équipé d'un cordon d'alimentation avec fil de mise à la terre, et d'une fiche de mise à la terre. Il faut le brancher dans une prise murale qui a été installée correctement et mise à la terre selon le Code national de l'électricité et les codes et décrets locaux. En cas de court-circuit électrique, la mise à la terre réduit les risques de choc électrique en permettant au courant de s'échapper par le fil de mise à la terre.

AVERTISSEMENT – Un mauvais usage de la prise de terre peut causer des chocs électriques.

INSTALLATION ÉLECTRIQUE

La tension d'alimentation est 120 volts, 60 Hz, CA seulement, 15 A ou plus et doit être protégée. Il est recommandé d'alimenter le four par un circuit séparé.

Le four est équipé d'une fiche de terre à trois broches. Il faut la brancher dans une prise murale correctement installée et mise à la terre. Si vous ne possédez que des prises à deux broches, demandez à un électricien de métier d'installer une prise murale qui convienne.

Un adaptateur à trois broches peut être utilisé temporairement si les codes électriques locaux le permettent. Suivre les instructions fournies sur l'emballage.

Le cordon d'alimentation est court pour éviter qu'on ne s'y empêtre ou qu'on tombe.

RALLONGE

Si une rallonge est nécessaire, utiliser une rallonge à trois fils munie d'une fiche de terre à trois broches et d'une prise à trois fentes qui accepte la fiche du four à micro-ondes. La puissance nominale de la rallonge doit être de 115-120 volts CA, 15 ampères ou plus.

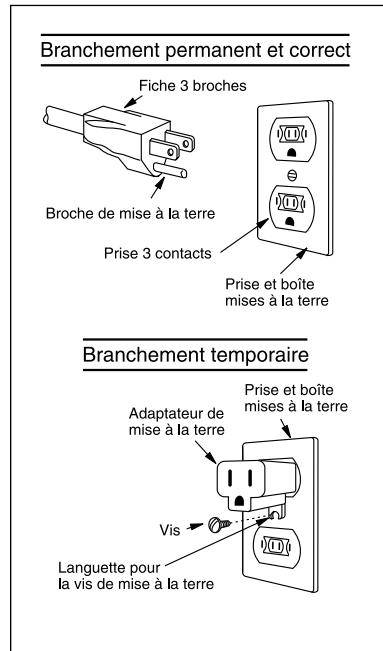
Faire attention de ne pas laisser dépasser le cordon du comptoir ou de la table, pour éviter que des enfants ne tirent dessus ou que quelqu'un ne s'y empêtre et tombe.

Remarques :

1. Pour toute question à propos de l'installation électrique ou de la mise à la terre, consulter un électricien de métier ou un réparateur qualifié.
2. Ni DCS ni le détaillant ne peuvent être tenus responsables des dommages au four ou des blessures causés par une installation qui ne répond pas aux normes.

INTERFÉRENCE RADIO OU TÉLÉVISION

Si le four à micro-ondes provoque de l'interférence avec la radio ou la télévision, vérifier qu'il est branché sur un circuit indépendant, en éloigner la radio ou la télévision le plus possible et vérifier la position et le signal de l'antenne de réception.



RENSEIGNEMENTS UTILES

LE FOUR À MICRO-ONDES

Ce mode d'emploi est précieux; le lire attentivement et le conserver pour s'y reporter, au besoin.

Un bon livre de cuisine aux micro-ondes est très utile. Il présente les principes, les techniques, des conseils et des recettes de cuisine aux micro-ondes.

Ne **JAMAIS** se servir du four sans le plateau tournant et le support. Ne pas installer le plateau tournant à l'envers pour faire entrer dans le four un plat de grandes dimensions. Le plateau tourne dans les deux sens.

S'assurer à ce qu'il y ait **TOUJOURS** des aliments dans le four lorsqu'il est allumé, de sorte qu'ils absorbent l'énergie produite.

Quand on utilise le four à des niveaux de puissance inférieurs à 100 %, on peut entendre la mise en marche et l'arrêt du magnétron. Il est normal que l'extérieur du four soit chaud au toucher pendant la cuisson ou le réchauffement.

La condensation est un phénomène normal pendant la cuisson au four à micro-ondes. L'humidité ambiante et la teneur en eau des aliments déterminent le degré de condensation à l'intérieur du four.

En règle générale, les aliments couverts produisent moins de condensation que les aliments cuits à découvert. Veiller à ce que les événements à l'arrière du four soient toujours dégagés.

Ce four est conçu seulement pour la préparation des aliments. Il ne doit pas être utilisé pour sécher des vêtements ou des journaux.

La puissance de ce four est de 900 watts calculée par la méthode d'essai IEC. Vérifier la cuisson des aliments une minute ou deux avant la fin de la période minimum de cuisson indiquée sur les recettes et les emballages et, s'il y a lieu, augmenter le temps de cuisson.

À PROPOS DES ENFANTS ET DU FOUR À MICRO-ONDES

Les enfants de moins de 7 ans ne devraient utiliser le four à micro-ondes que sous la surveillance étroite d'un adulte. Les enfants de 7 à 12 ans devraient utiliser l'appareil sous la surveillance d'un adulte se trouvant dans la même pièce qu'eux.

L'enfant doit être capable d'atteindre facilement le four; sinon, le faire monter sur un tabouret robuste et stable.

Il ne faut jamais s'appuyer ou s'accrocher à la porte du four à micro-ondes. Il faut enseigner les mesures de sécurité aux enfants : employer des gants isolants, enlever les couvercles avec précaution, faire très attention aux contenants d'aliments croustillants qui peuvent devenir très chauds.

Ne pas présumer qu'un enfant qui connaît bien une fonction de l'appareil les connaît toutes.

Les enfants doivent savoir qu'un four à micro-ondes n'est pas un jouet. Voir la page 50 pour obtenir des renseignements sur le verrouillage de sécurité.

À PROPOS DE LA CUISSON AUX MICRO-ONDES

- Disposer les aliments avec soin. Placer la partie la plus épaisse des aliments vers l'extérieur du plat.
- Vérifier le temps de cuisson. Cuire les aliments pendant la plus courte période indiquée et prolonger la cuisson au besoin. Des aliments trop cuits peuvent dégager de la fumée ou prendre feu.
- Recouvrir les aliments pendant la cuisson. Selon la recette ou le livre de cuisine, utiliser un essuie-tout, du papier ciré, un film plastique allant au micro-ondes ou un couvercle. Couvrir les aliments empêche les éclaboussures et leur permet de cuire de manière uniforme.
- Protéger les parties de viande ou de volaille très minces par des petits écrans en papier d'aluminium pour éviter qu'ils ne cuisent trop vite par rapport aux parties plus épaisses.
- Si possible, remuer les aliments de l'extérieur du plat vers le centre une ou deux fois pendant la cuisson.

RENSEIGNEMENTS UTILES

- Retourner les aliments comme du poulet et des galettes de viande une fois au cours de la cuisson afin d'accélérer le processus. Il faut retourner les grosses pièces comme les rôtis au moins une fois.
- Au milieu de la cuisson, déplacer les aliments comme les boulettes de viande, de l'intérieur du plat vers l'extérieur, et du haut vers le bas.
- Prévoir du temps de repos. Retirer les aliments du four et, si possible, les remuer. Couvrir les aliments pendant ce temps pour leur permettre de finir de cuire.
- Vérifier la cuisson. Rechercher les signes qui indiquent que les aliments sont cuits à point.

Par exemple :

- La vapeur s'élève de toute la surface des aliments, pas seulement des bords.
- Le fond du plat est très chaud au toucher.
- Les cuisses de poulet se détachent facilement.
- La viande et la volaille ne présentent plus de parties rosées.
- Le poisson est opaque et se défait facilement à la fourchette.

PRÉPARATION DE DIVERS ALIMENTS

ALIMENT	A FAIRE	A NE PAS FAIRE
Œufs, saucisses, noix, graines, fruits et légumes	<ul style="list-style-type: none">• Percer les jaunes pour éviter qu'ils n'éclatent pendant la cuisson.• Piquer la pelure des pommes de terre, des pommes, des courges ainsi que les saucisses afin de permettre à la vapeur de s'échapper.	<ul style="list-style-type: none">• Cuire les œufs dans leur coquille.• Réchauffer des œufs entiers.• Faire sécher les noix ou les graines dans leur écale.
Maïs	<ul style="list-style-type: none">• Utiliser seulement du maïs emballé pour micro-ondes.• Attendre que seuls quelques grains isolés éclatent toutes les 1 ou 2 secondes, ou appuyer sur la touche Popcorn.	<ul style="list-style-type: none">• Faire éclater des grains de maïs dans des sacs de papier brun ou dans un bol de verre.• Dépasser le temps indiqué sur l'emballage.
Aliments pour bébés	<ul style="list-style-type: none">• Transférer la nourriture dans de petits plats et faire réchauffer doucement, en remuant souvent. Vérifier la température des aliments avant de servir.• Mettre la tétine sur le biberon après l'avoir réchauffé et bien brassé celui-ci ce dernier faire le «test du poignet» avant de donner le biberon à bébé.	<ul style="list-style-type: none">• Faire chauffer les aliments commerciaux pour bébés dans leurs pots.• Faire chauffer des biberons jetables.• Faire chauffer les biberons avec la tétine.
Généralités	<ul style="list-style-type: none">• Après avoir réchauffé des aliments contenant une garniture, les couper afin de laisser s'échapper la vapeur et d'éviter des brûlures.• Bien mélanger les liquides avant et après la cuisson pour que la chaleur soit uniforme.• Faire cuire les aliments liquides et les céréales dans un bol profond afin d'éviter qu'ils ne débordent.	<ul style="list-style-type: none">• Réchauffer ou faire cuire des aliments dans des contenants hermétiques ou fermés en verre.• Préparer des conserves au four à micro-ondes, car des bactéries dangereuses pourraient ne pas être tuées.• Utiliser le four à micro-ondes pour faire de la friture.• Faire sécher du bois, des courges, des herbes ou du papier.

RENSEIGNEMENTS UTILES

USTENSILES ET COUVERCLES

USTENSILES ET COUVERCLES	MICRO-ONDES SEULEMENT	GRILLADE PAR CONV., CUISSON LENTE	MODE COMBINÉ HAUTE TEMP./ RÔTIR MODE COMBINÉ BASSE TEMP./CUISSON AU FOUR
Feuille d'aluminium	OUI. Des petites feuilles d'aluminium lisses peuvent être placées sur une préparation pour protéger ses surfaces contre une cuisson ou une décongélation trop rapide. Maintenir les feuilles à au moins un pouce d'écart des parois du four.	OUI. Comme protection.	OUI. Comme protection.
Récipients en aluminium	OUI. À condition de ne remplir qu'aux 3/4. Maintenir à un pouce d'écart des parois du four et ne pas recouvrir de feuille d'aluminium.	OUI. Griller sans couvercle.	OUI. À condition de ne remplir qu'aux 3/4. Maintenir à un pouce d'écart des parois du four et ne pas recouvrir de feuille d'aluminium.
Plat à gratin	OUI. Ne pas dépasser la durée de préchauffage recommandée. Suivre le mode d'emploi du fabricant.	NON	NON
Vitrocéramique (Pyroceram®)	OUI. Excellent.	OUI. Excellent.	OUI. Excellent.
Verre calorifuge	OUI. Excellent.	OUI. Excellent.	OUI. Excellent.
Verre non-calorifuge	NON	NON	NON
Couvercles en verre	OUI	OUI. Griller sans couvercle.	OUI
Couvercles en métal	NON	OUI. Griller sans couvercle.	NON
Casseroles en métal	NON	OUI	OUI. Ne pas employer de couvercles métalliques.
Métaux assortis : plats à rebords métalliques, etc. Ligatures métalliques	NON	NON	NON

RENSEIGNEMENTS UTILES

USTENSILES ET COUVERCLES

USTENSILES ET COUVERCLES	MICRO-ONDES SEULEMENT	GRILLADE PAR CONV., CUISSON LENTE	MODE COMBINÉ HAUTE TEMP./ RÔTIR MODE COMBINÉ BASSE TEMP./CUISSON AU FOUR
Poches de cuisson au four	OUI. Conviennent aux grosses pièces de viande ou aux préparations à attendrir. NE PAS utiliser de ligatures métalliques.	OUI. Grillades, non.	OUI. NE PAS utiliser de ligatures métalliques.
Assiettes en carton	OUI. Pour ré chauffer.	NON	NON
Serviettes en papier	OUI. Comme couvercles au réchauffage et à la cuisson. Ne pas employer de produits recyclés pouvant contenir des fibres métalliques.	NON	NON
Papier allant au four	OUI	OUI. Pour températures jusqu'à 400° F. Ne pas employer pour griller.	OUI. Pour températures jusqu'à 400° F.
Récipients en plastique bons pour micro-ondes	OUI. Pour réchauffer et décongeler. Suivre le mode d'emploi du fabricant.	NON	NON
Plastique, Thermoset®	OUI	OUI. Résiste à la chaleur jusqu'à 425° F. Ne pas employer pour griller.	OUI
Film plastique	OUI. Choisir des marques spécialement indiquées pour micro-ondes. NE PAS placer le film en contact avec les aliments. Percer pour laisser s'échapper la vapeur.	NON	NON
Céramiques, grès, porcelaine	OUI. Voir les recommandations du fabricant pour usage micro-ondes.	OUI	OUI. Doivent être bons pour micro-ondes et cuisson au four.
Polystyrène	OUI. Pour réchauffer.	NON	NON
Papier ciré	OUI. Recommandé comme couvercle à la cuisson et au réchauffage.	NON	NON

RENSEIGNEMENTS UTILES

USTENSILES ET COUVERCLES

USTENSILES ET COUVERCLES	MICRO-ONDES SEULEMENT	GRILLADE PAR CONV., CUISSON LENTE	MODE COMBINÉ HAUTE TEMP./RÔTIR MODE COMBINÉ BASSE TEMP./CUISSON AU FOUR
Osier, bois, paille	OUI. Convient aux cuissons très courtes. Ne pas employer avec des plats très gras ou très sucrés. Risque de se calciner.	NON	NON

VÉRIFICATION DE RÉCIPIENTS

Pour vérifier qu'un récipient est bon pour micro-ondes, placez-le vide dans le four et réglez sur HIGH pendant 30 secondes. Si le plat chauffe à l'extrême, NE PAS l'utiliser pour la cuisson aux micro-ondes.

ACCESSOIRES

Il y a de nombreux accessoires pour micro-ondes proposés à l'achat. Évaluez-les avec soin avant l'achat pour qu'ils satisfassent bien vos besoins. Un thermomètre compatible avec micro-ondes vous aidera à déterminer le bon degré de cuisson, et assurera que les aliments ont été cuits à des températures sûres quand vous ne cuisez en utilisant que les micro-ondes. DCS n'est pas responsable des éventuels dommages au four en cas d'utilisation d'accessoires.

USTENSILES POUR MICRO-ONDES

Le matériau idéal d'un ustensile pour micro-ondes permet à l'énergie de passer au travers du conteneur pour chauffer les aliments. Beaucoup d'articles de maison, comme les assiettes en carton et les bols en verre ou en plastique sont de bons choix pour juste réchauffer les aliments.

Quand un ustensile est utilisé pour la cuisson, il doit pouvoir résister au contact avec les aliments très chauds ou le liquide bouillant.

Des ustensiles à double usage, en carton ou plastique résistant à la chaleur, peuvent s'utiliser dans des fours conventionnels et micro-ondes. Recherchez les matériaux marqués « supporte les micro-ondes ou les fours conventionnels jusqu'à 400°F (204°C) ». Beaucoup de récipients de cuisson traditionnels, comme casseroles et tasses à mesurer conviennent également pour les micro-ondes.

Les ustensiles en verre pour four ou vitrocéramique (Pyroceram®) peuvent être utilisés pour les micro-ondes, pour servir et pour conserver. Les ustensiles en verre allant au four sont bon marché et faciles à trouver. Vous pourrez les utiliser pour mesurer, mélanger et cuire au four à micro-ondes. Choisissez du verre transparent pour les tartes, gâteaux et pains, afin de pouvoir facilement contrôler le degré de cuisson par transparence au travers du fond.

Test de compatibilité micro-ondes pour la vaisselle. Si vous n'êtes pas sûr que votre vaisselle puisse passer sans risques au four à micro-ondes, vérifiez-le auparavant. Placez-la dans le four. Mettez une demie à une tasse d'eau dans une coupe en verre, que vous placez sur ou à côté de la vaisselle. Actionnez le four en position forte (HIGH) pendant 1 à 2 minutes. Si la vaisselle n'a pas chauffé, elle est micro-ondable. N'utilisez pas ce test pour des ustensiles en plastique ou en métal.

Poterie, grès et porcelaine présentent la polyvalence pour cuire et servir. Les bols, plateaux, casseroles, plats et coupes de service sont commodes et jolis. Choisissez-les marqués « compatible micro-ondes ». Si vous n'êtes pas sûr de la compatibilité de plats que vous possédez effectuez le test précédent.

Les batteries de cuisine en plastique (Thermoset®) marquées comme micro-ondables sont conçues pour être utilisées en four à micro-ondes ou traditionnel et peuvent supporter des températures allant jusqu'à 204° C (400° F). Suivez les recommandations de leur fabricant.

RENSEIGNEMENTS UTILES

Les récipients de stockage en plastique et la vaisselle en plastique marqués comme micro-ondables et Styrofoam® peuvent être utilisés pour des réchauffements courts à la température pour servir. Ne les utilisez pas pour cuire des aliments crus ou pour réchauffer des aliments riches en graisse ou en sucre, car ils se déforment à une température relativement peu élevée. Les récipients de Tupperware® traditionnels peuvent fondre et se déformer, mais les modèles Ultra 21® de cette marque sont conçus pour passer au four à micro-ondes.

Le film étirable et les sacs en plastique pour conservation des aliments ne doivent pas être gardés pour la cuisson.

Les plats, gobelets, coupes, serviettes et nappes en papier sont de bons supports pour cuisson courte et réchauffage. Évitez le papier recyclé qui pourrait contenir des particules métalliques, et les ustensiles en papier paraffiné. Les moules à gâteaux en papier absorbent l'excès d'humidité et évitent le nettoyage. Les serviettes blanches tout papier sont excellentes pour réchauffer des pains, cuire du bacon ou recouvrir des récipients pour éviter des projections. Le papier paraffiné peut être utilisé comme un couvercle léger non adhérent pour maintenir la vapeur, il empêche également les éclaboussures avec des plats tels que le chili ou les spaghetti.

Les produits papier à double usage, comme les conteneurs carton micro-ondables, sont polyvalents. Ils peuvent supporter la congélation et passer aux fours à micro-ondes ou traditionnel jusqu'à 204° C (400° F).

Le métal, comme des petits morceaux de feuille d'aluminium, peut être utilisé pour entourer des petites quantités d'aliments (ailerons, pilons, os de poitrine) pour empêcher cuisson ou décongélation excessives. Le métal réfléchit l'énergie et l'écarte de l'aliment, freinant sa cuisson. Des thermomètres spéciaux ou des sondes à laisser dans le four à micro-ondes pendant la cuisson sont aussi des outils de contrôle valables. Des plats de faible profondeur (pas plus de 4,5 cm) pour aliments prêts à servir peuvent être utilisés. Le taux de métal utilisé doit être proportionnel au volume des aliments contenus, Ces récipients doivent être pleins aux deux tiers ou aux trois quarts. Gardez toujours les conteneurs métalliques à au moins 5 cm à l'écart des parois du four pour éviter la production d'arcs.

Matériaux à usage non recommandé dans un four à micro-ondes. N'utilisez pas de pot, casserole ou plat à four traditionnel métallique, de fermetures à tordre métalliques, ou d'assiettes avec un rebord métallisé. Évitez également les ustensiles ayant des vis, des bandes ou des poignées en métal, des renforcements métalliques de paniers ou poignées, ou des thermomètres classiques pour cœur de viande ou sucre fondu. De même ne sont pas recommandés pour cuire dans un micro-ondes, les articles de table Melamine® ou Centura®, les plastiques qui peuvent être sensibles aux aliments chauds, le cristal au plomb, les antiquités et les vaisselles délicates, la porcelaine de chine et les chopes ou tasses en céramique à poignée collée, les sacs en papier brun et les produits en papier recyclé.

RENSEIGNEMENTS UTILES

À PROPOS DE LA SÉCURITÉ

- On recommande les températures de cuisson suivantes.

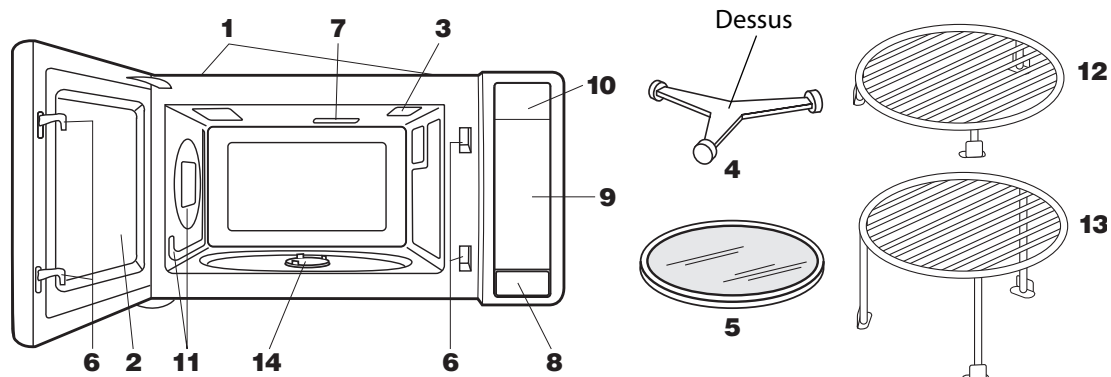
Pour vérifier si les aliments sont cuits à point, insérer un thermomètre à viande dans un endroit épais, à l'écart de la graisse et des os. Ne JAMAIS laisser le thermomètre dans les aliments qui cuisent, sauf s'il est approuvé pour emploi aux micro-ondes.

TEMP	ALIMENTS
160°F / 71°C	Pour le porc, la viande hachée, le blanc de poulet sans os, le poisson, les fruits de mer, les œufs frais et les aliments préparés surgelés.
165°F / 74°C	Pour les restes de table, les aliments réfrigérés prêts-à-réchauffer, et les aliments frais d'un traiteur ou l'équivalent.
170°F / 77°C	Les blancs de volaille.
180°F / 82°C	La viande brune de volaille.

- **TOUJOURS** utiliser des gants isolants pour éviter des brûlures lorsque l'on se sert d'ustensiles en contact avec des aliments chauds. La chaleur transférée des aliments aux ustensiles peut provoquer des brûlures.
- Diriger la vapeur loin du visage et des mains afin d'éviter des brûlures. Soulever doucement la partie la plus éloignée des couvercles et des pellicules et ouvrir lentement les sacs de maïs soufflé ou de cuisson en les tenant loin du visage.
- Rester près du four quand il fonctionne et vérifier fréquemment la cuisson afin d'éviter de trop cuire les aliments.
- Ne **JAMAIS** entreposer des livres de cuisine ou autres objets dans la cavité du four.
- Choisir, entreposer et manipuler la nourriture de manière à préserver sa qualité et à minimiser la prolifération de bactéries alimentaires.
- Garder le couvercle du guide d'ondes propre. Les résidus d'aliments peuvent causer des étincelles ou s'enflammer.
- Retirer les aliments du four en prenant soin de ne pas toucher le système de fermeture de sûreté de la porte avec des ustensiles, ses vêtements ou les accessoires.

NOMENCLATURE

PIÈCES DU FOUR À MICRO-ONDES



- 1 Orifices de ventilation (arrière)
- 2 Porte du four avec hublot
- 3 Éclairage de four
Il s'allume quand la porte est ouverte ou quand le four est en fonctionnement.
- 4 Support de plateau tournant
- 5 Plateau tournant amovible
Il tourne dans les deux sens alternativement.
- 6 Verrous de la porte
Le four ne peut pas fonctionner si la porte n'est pas parfaitement fermée.
- 7 Couverture du guide d'ondes : NE PAS ENLEVER.
- 8 Bouton d'ouverture de la porte
Appuyer sur ce bouton pour ouvrir la porte.
- 9 Tableau de commande à touches
- 10 Lampe du four
Elle s'allume lorsque la porte est ouverte ou que le four est en service.
- 11 Ouvertures pour air de convection
- 12 Grille basse amovible (trépied de cuisson)
- 13 Grille haute amovible (trépied de grill)
- 14 Arbre d'entraînement du plateau tournant

ACCESSOIRES

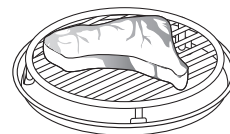
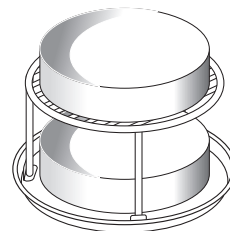
Les accessoires qui suivent sont conçus spécialement pour une utilisation dans le four uniquement en cuisson par convection, combinaison ou grill. NE PAS LES UTILISER EN CUISSON MICRO-ONDES UNIQUEMENT. Ne pas remplacer ces supports conçus spécialement par d'autres semblant similaires.

Support de cuisson haut, pour convection et mélange faible.

- Ce support est placé sur la plaque tournante pour des cuissons à deux niveaux, comme les gâteaux à étages, les muffins, etc.

Trépied support de cuisson bas pour convection, four et combinaison forte.

- Ce trépied est placé sur le plateau tournant et sert à rôtir ou cuire en laissant les jus s'écouler des aliments.

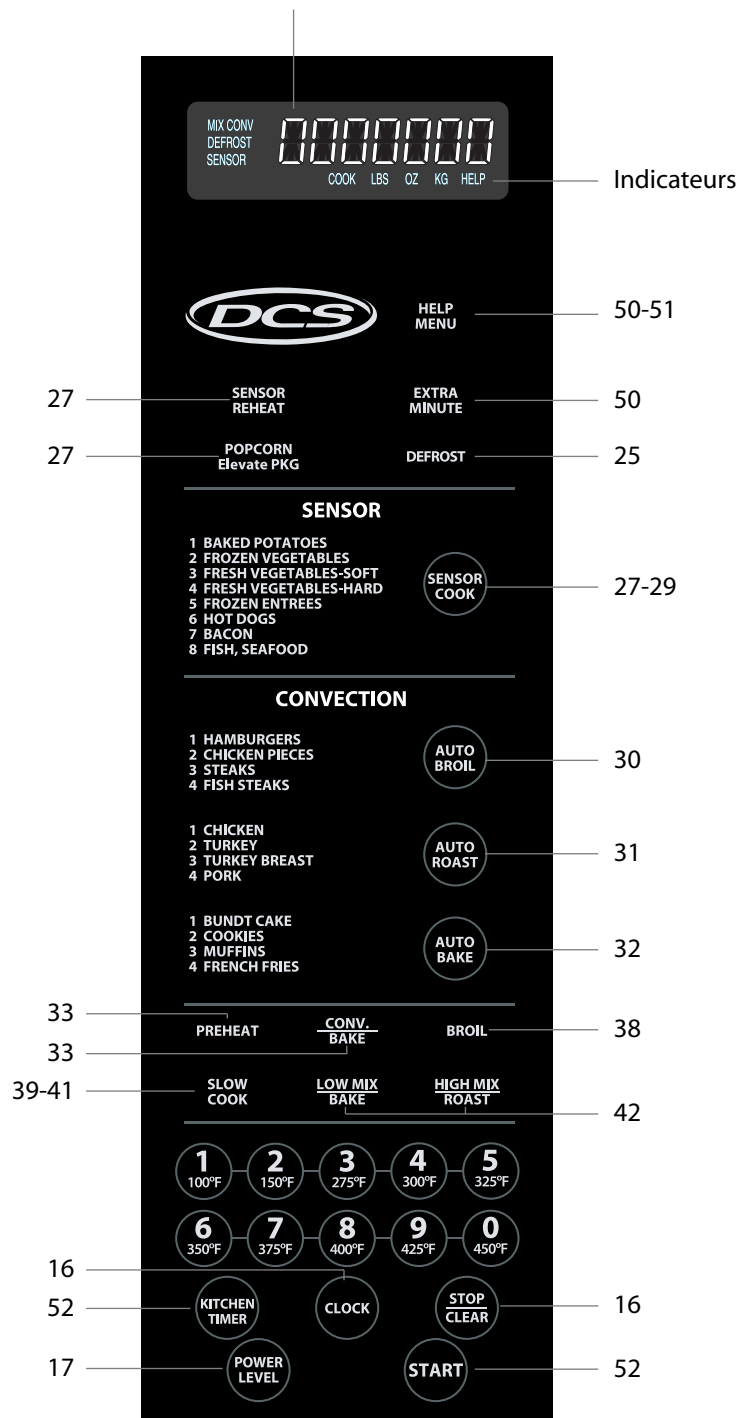


NOMENCLATURE

TABLEAU DE COMMANDE

Affichage du panneau de contrôle

Des mots apparaîtront dans l'affichage pour indiquer les caractéristiques et les instructions de cuisson.



Les chiffres en marge de l'illustration du tableau de commande renvoient aux pages où sont décrits les caractéristiques et les renseignements concernant le mode d'emploi.

AVANT L'USAGE

- Avant d'utiliser ce four, prendre la peine de lire intégralement ce mode d'emploi.
- Avant d'utiliser le four, procéder ainsi :
 1. Brancher la fiche du cordon d'alimentation. Fermer la porte. La phrase WELCOME PRESS CLEAR AND PRESS CLOCK s'affiche.
 2. Appuyer sur la touche STOP/CLEAR. L'indication : s'affiche.
 3. Régler l'horloge.

RÉGLAGE DE L'HORLOGE

1. Appuyer sur la touche CLOCK.
2. Entrer l'heure correcte de la journée en appuyant sur les touches numériques. Appuyer à nouveau sur la touche CLOCK.

Cette horloge est conçue selon un cycle de 12 heures. En cas d'entrée d'une heure non valable, l'indication ERROR s'affiche. Appuyer sur la touche STOP/CLEAR et entrer l'heure correcte.

- Si l'alimentation électrique du four à micro-ondes est coupée, l'indication WELCOME PRESS CLEAR AND PRESS CLOCK s'affiche et clignote dès que l'alimentation est rétablie. Si cela se produit durant la cuisson, le programme de cuisson et l'heure de la journée seront effacés. Appuyer sur la touche STOP/CLEAR et remettre l'horloge à l'heure.

ARRÊT/ANNULATION

Utiliser la touche STOP/CLEAR pour :

1. Effacer une erreur durant la programmation.
2. Annuler le fonctionnement de la minuterie.
3. Arrêter le four temporairement durant la cuisson.
4. Afficher l'heure actuelle.
5. Annuler un programme durant la cuisson (toucher deux fois).

FONCTIONNEMENT MANUEL

CUISSON PAR MICRO-ONDES

Le four peut être programmé pour 99 minutes 99 secondes (99.99). **Indiquer les secondes après les minutes même si le nombre de secondes est égal à zéro.**

- Supposons que l'on veuille cuire pendant 5 minutes à 100 %.
1. Entrer la durée de cuisson en composant **5|0|0** aux touches numériques.
 2. Appuyer sur la touche START.

RÉGLAGE DU NIVEAU DE PUISSANCE

Onze niveaux de puissance sont prévus. Plus le niveau de puissance est faible, plus le temps de cuisson est long, ce qui est conseillé pour les aliments tels que le fromage, le lait ou les viandes qui exigent une cuisson lente. Consulter un livre de cuisine ou de recettes pour chaque cas particulier.

TOUCHER UNE FOIS SUR POWER LEVEL PUIS TOUCHER	POURCENTAGE APPRO- XIMATIF DE LA PUISSANCE	NOMS DONNÉS AUX NIVEAUX DE PUISSANCE
POWER LEVEL	100%	High (élevé)
9	90%	
8	80%	
7	70%	Medium High (mi-élevé)
6	60%	
5	50%	Medium (moyen)
4	40%	
3	30%	Med. Low / Defrost (mi-faible/décongélation)
2	20%	
1	10%	Low (faible)
0	0%	

- Supposons que l'on veuille décongeler des aliments pendant 5 minutes à 30 %.
1. Entrer la durée de décongélation en composant **5|0|0** aux touches numériques.
 2. Appuyer sur la touche POWER LEVEL et entrer le chiffre **3**.
 3. Appuyer sur la touche START.

Il est possible de programmer jusqu'à 4 séquences de cuisson automatique. Suivez les instructions de la page 48. Retenir que le niveau de puissance doit être entré en premier en programmant des séquences multiples.

DÉCONGÉLATION MANUELLE

Si les aliments que vous voulez décongeler ne sont pas listés dans les tableaux de décongélation, ou sont au-dessus ou en-dessous des limites de leur colonne de quantité, vous devrez décongeler manuellement.

Vous pouvez décongeler n'importe quel aliment congelé, cru ou précuit, en utilisant la puissance au niveau 3. Suivre exactement la procédure en **3** étapes donnée avec le Temps de cuisson en page --. Estimer le temps de décongélation et appuyer sur 3 pour la sélection du niveau de puissance.

Pour les aliments crus ou cuits, compter en moyenne 5 minutes par livre. Par exemple, choisir 5 minutes pour décongeler une livre de sauce à spaghetti.

Arrêter le four périodiquement pour retirer ou séparer les portions déjà décongelées. Si les aliments ne sont pas entièrement décongelés à l'expiration du temps précisé, utiliser le niveau de puissance 3 pendant des périodes de une minute pour obtenir la décongélation complète.

Si les aliments congelés sont dans un récipient en matière plastique, ne les décongeler que pendant le temps nécessaire pour les retirer du récipient, puis les déposer dans un plat convenant aux micro-ondes.

MICRO-ONDES PARTICULARITÉS

PRINCIPES DE CUISSON AUX MICRO-ONDES

La clé d'une cuisson réussie aux micro-ondes tient à la compréhension des conditions de base qui peuvent affecter les résultats de cuisson. La vitesse et la régularité de la cuisson aux micro-ondes sont influencées par les caractéristiques des aliments eux-mêmes, et par les divers niveaux de tension secteur. Le secteur disponible varie suivant la région, et fluctue dans la journée, la tension étant plus basse aux heures de pointe de consommation.

Les micro-ondes pénètrent les aliments sur une profondeur d'environ 1,9 à 3,8 cm par toutes les surfaces : dessus, dessous et côtés. La zone des aliments située plus loin au centre chauffe par conduction, comme dans des fours conventionnels. Les aliments avec un important contenu d'eau, gras ou sucre répondent plus rapidement à l'énergie des micro-ondes.

Taille – Les petits morceaux cuisent plus vite que les gros. Pour accélérer la cuisson, coupez en morceaux de moins de 5 cm pour que l'énergie pénètre directement au cœur par tous les côtés. Pour que votre cuisson soit uniforme, coupez légumes, fruit et viande en morceaux de tailles égales.

Quantité – Les petites quantités cuisent plus vite que les grosses. Le temps de cuisson par micro-ondes est toujours proportionnel à la quantité de nourriture, en augmentant avec. Quand vous doublez les quantités d'une recette, augmentez la durée de cuisson habituelle d'environ la moitié et vérifiez le degré de cuisson.

Température de départ – Les surgelés ou les aliments réfrigérés prennent plus de temps à chauffer que ceux à température ambiante. Les durées de cuisson du livre sont pour des aliments à température ambiante. Comme les pièces, les réfrigérateurs et congélateurs ont des températures variables, vérifiez le degré de cuisson à la durée minimum préconisée.

Graisse et os – Le persillage dans la viande, ou une fine couche régulière de gras sur un rôti attire l'énergie et accélère la cuisson. Videz les écoulements excessifs du plat au milieu de la cuisson pour la raccourcir. Les os sont conducteurs de chaleur, et la viande adjacente peut cuire plus vite que les autres parties.

Forme – Les aliments qui sont de forme irrégulière, comme les filets de poisson, les blancs de poulet ou les bâtonnets prennent plus de temps à cuire leurs parties épaisses. Pour aider à cuire également, placez les parties les plus épaisses à l'extérieur du plat, là où elles recevront plus d'énergie.

Contenu en eau – Les micro-ondes sont attirés par l'humidité. Les aliments contenant naturellement beaucoup d'eau se cuisent plus facilement que les secs. Ajoutez un minimum d'eau pour humidifier les aliments, l'excès ralentissant leur cuisson.

Densité – Les matières poreuses, comme le bifteck haché ou la purée de pommes de terre, se cuisent plus vite que les matières denses, comme les pièces de bifteck et les pommes de terre entières, car les micro-ondes les pénètrent plus facilement. Retournez les aliments denses à mi-temps de cuisson pour accélérer et égaliser la cuisson.

DÉCONGÉLATION DES ALIMENTS SURGELÉS

La décongélation des aliments avec le four à micro-ondes est non seulement plus rapide que toute autre méthode, c'est aussi celle qui donne les meilleurs résultats. Beaucoup de fours à micro-ondes sont conçus avec un réglage de décongélation automatique qui rend l'opération sûre, rapide et facile pour viandes et volailles.

Une fois la viande surgelée décongelée, elle commence à perdre ses jus. Le four à micro-ondes donne l'avantage de pouvoir décongeler la viande juste avant de la cuire, pour qu'elle conserve un maximum de sucs et de saveur.

La décongélation aux micro-ondes est facile, mais il faut un peu d'attention pour s'assurer que les cristaux de glace dans les tissus fondent sans pour autant entamer la cuisson. Le réglage moyen/bas (MEDIUM-LOW) à 30% est suffisamment rapide pour être adéquat, mais reste assez graduel pour donner de bons résultats. Au réglage moyen (MEDIUM) à 50% la viande se décongèle en un tiers de temps de moins mais cela nécessite plus d'attention.

MICRO-ONDES PARTICULARITÉS

Placez le paquet enrobé de plastique ou papier du surgelé directement dans le four. Pour accélérer la décongélation enlevez cet emballage dès que c'est possible et couvrez l'aliment avec du papier paraffiné pour garder la chaleur et empêcher la perte d'humidité. Les feuilles enveloppantes doivent être ôtées.

Enlevez l'enveloppe de la dinde pour pouvoir sentir les points chauds pendant la décongélation. Les agrafes métalliques maintenant les pattes doivent être ôtées dès que possible. Commencez avec la poitrine vers le bas, protégez les zones déjà chaudes avec des petites bandes de papier d'aluminium et retournez la volaille après chaque quart du temps total.

Laissez la dinde reposer 20 à 30 minutes immergée dans de l'eau froide après sa décongélation, jusqu'à ce que les abattis et le cou puissent être enlevés, et que la chair sous les ailes soit totalement décongelée. La dinde peut être passée four à micro-ondes avec les attaches si elles sont difficiles à enlever.

ALIMENTS PRÊTS À L'EMPLOI

Comment décongeler bagels et muffins

Enveloppez le bagel ou le muffin surgelé dans du papier essuie-tout ou une serviette de table en papier. Passez au micro-ondes réglage MEDIUM (50%) juste pour réchauffer au toucher (environ 25-45 secondes pour un, 40-60 secondes pour deux). Fendez les bagels ou muffins pour les rôtir si vous le souhaitez.

Comment décongeler du concentré de jus d'orange ou de limonade

Enlevez la capsule métallique d'une boîte de 0,18 L (6 onces) de jus surgelé. Placez la droite dans le four à micro-ondes, activé pendant 30 à 90 secondes à réglage fort (HIGH 100%). Le concentré doit être ramolli mais pas chauffé. Versez le contenu dans un récipient et ajoutez-y de l'eau froide dans la proportion indiquée sur la boîte.

La plupart des aliments prêts à l'emploi incluent désormais des instructions pour micro-ondes, ce qui rend encore plus facile la dégustation de soupes, grignotines, boissons, plats cuisinés et desserts. Les instructions sur l'emballage sont généralement données pour un réglage fort (HIGH 100%), afin d'atteindre une rapidité et une efficacité maximales.

RÉCHAUFFAGE

Réchauffer des aliments est une des spécialités du four à micro-ondes. Les fours DCS sont équipés avec des réglages programmés spéciaux ou des détecteurs automatiques pour le réchauffage de vos plats préférés. Vérifiez dans le guide d'utilisation les instructions spécifiques. Pour obtenir le plus de fraîcheur de goût, utilisez les niveaux de puissance recommandés dans le tableau.

Pâtes, riz et petits pains. Pour les restes de riz ou de pâtes, projetez l'équivalent d'une cuiller à soupe d'eau par tasse, et réchauffez à couvert. Pour réchauffer des petits pains ou des muffins, enrobez-les de papier essuie-tout et passez-les au four à micro-ondes pour qu'ils soient chauds au toucher, mais pas brûlants. Les pains se réchauffent en quelques secondes, une surchauffe les durcit et les assèche.

Viandes. Les tranches moyennes (6 mm) se réchauffent le mieux. Couvrez la viande de sauce pour empêcher le dessèchement. L'ensemble viande plus sauce doit être recouvert de papier paraffiné pour garder la chaleur. Les tranches de viande sans sauce peuvent être recouvertes de papier essuie-tout.

TABLEAU DE RÉCHAUFFAGE

ALIMENT	TEMP. DE DÉPART	DURÉE DE CUISSON MICROONDES	PROCÉDURE
Plat préparé 1 portion de viande 2 portions de légumes	Temp. Ambiante Réfrigéré	MEDIUM-HIGH (70%) 1-2,5 minutes 2,5-3,5 minutes	Mettez les grosses portions et les gros légumes sur l'extérieur. Couvrez de papier paraffiné.

MICRO-ONDES PARTICULARITÉS

TABLEAU DE RÉCHAUFFAGE

ALIMENT	TEMP. DE DÉPART	DURÉE DE CUISSON MICROONDES	PROCÉDURE
Viande (morceaux de poulet, côtelettes, hamburgers, tranches de pain de viande) 1 portion 2 portions	Réfrigéré Réfrigéré	MEDIUM-HIGH (70%) 1-2 minutes 2-4 minutes	Couvrez sans serrer avec du papier paraffiné
Tranches de viande Tranches de viande (bœuf, jambon, porc, dinde) 1 ou plusieurs portions	Temp. Ambiante Réfrigéré	MEDIUM (50%) 1-1,75 minute/portion 1,5-2,5 minutes/portion	Couvrez de sauce ou de papier paraffiné. Vérifiez après 30 secondes par portion.
Daubes et plats de résistance remuables 1 portion 2 portions 4-6 portions	Réfrigéré Réfrigéré Réfrigéré	HIGH (100%) 1,75-3,5 minutes 3,25-5 minutes 6,5-7,5 minutes	Couvrez avec un couvercle en verre. Touillez à mi-cuisson.
Daubes et plats de résistance non remuables 1 portion 2 portions 4-6 portions	Réfrigéré Réfrigéré Réfrigéré	MEDIUM (50%) 4,5-7,5 minutes 7,5-11 minutes 12-15 minutes	Couvrez avec du papier paraffiné.
Soupe crémée 1 tasse 1 boîte (1/3 L)	Réfrigéré Temp. Ambiante	MEDIUM (50%) 2,75-5,5 minutes 5-7,5 minutes	Couvrez. Touillez à mi-cuisson.
Soupe claire 1 tasse 1 boîte (1/3 L)	Réfrigéré Temp. Ambiante	HIGH (100%) 1,75-3 minutes 3,5-4,5 minutes	Couvrez. Touillez à mi-cuisson.
Pizza 1 tranche 1 tranche 2 tranches 2 tranches	Temp. Ambiante Réfrigéré Temp. Ambiante Réfrigéré	HIGH (100%) 15-25 secondes 25-35 secondes 25-35 secondes 55-60 secondes	Placez sur du papier essuie-tout sur un plateau micro-ondable.
Légumes 1 portion 2 portions	Réfrigéré Réfrigéré	HIGH (100%) 0,75-1,25 minutes 1,5-2 minutes	Couvrez. Remuez à mi-cuisson.
Pommes de terre au four 1 2	Réfrigéré Réfrigéré	HIGH (100%) 1-2,5 minutes 2,5-3 minutes	Coupez la pomme de terre dans la longueur et plusieurs fois en travers. Couvrez avec du papier sulfurisé.

MICRO-ONDES PARTICULARITÉS

TABLEAU DE RÉCHAUFFAGE

ALIMENT	TEMP. DE DÉPART	DURÉE DE CUISSON MICROONDES	PROCÉDURE
Petits pains (dîner ou petit déjeuner) 1 pain 2 pains 4 pains	Temp. Ambiante Temp. Ambiante Temp. Ambiante	HIGH (100%) 8-10 secondes 10-12 secondes 15-18 secondes	Enrobez un seul petit pain, bagel ou muffin dans du papier essuie-tout. Pour plusieurs à la fois mettez un papier essuie-tout sur le plat et un autre par-dessus les pains.
Tarte 1 tranche 2 tranches	Réfrigéré Réfrigéré	HIGH (100%) 30-45 secondes 1-1,5 minute	Placez les tranches sur un plat micro-ondable. Ne couvrez pas.

Après le réchauffage, les aliments peuvent être très chauds (jusqu'à 74°C). Si possible remuez-les aliments, couvrez-les et laissez-les reposer deux à trois minutes avant de les servir.

CUISSON DES LÉGUMES

LÉGUME	QUANTITÉ	PROCÉDURE DE CUISSON	DURÉE MICRO-ONDES HIGH (100%)	DURÉE DE REPOS À COUVERT
Artichauts Frais	2 moyens	Habiller et rincer. Récipient 2 L avec 2 cuillers à soupe d'eau. Couvercle en verre.	5-8 min.	5 minutes
Asperges Turions frais Turions surgelés	450 g paquet 300 g	Récipient 2 L avec 2 cuillers à soupe d'eau. Couvercle en verre. Déplacer après 3 minutes. Récipient 1 L avec 1 cuiller à soupe d'eau. Couvercle en verre. Déplacer après 3 minutes.	4-7 min. 7-9 min.	2 minutes 2 minutes
Haricots Verts et beurre frais Verts surgelés Lima surgelés	450 g paquet 300 g paquet 300 g	Morceaux de 3,8 cm dans récipient 2 L avec 1/4 de tasse d'eau. Couvrir et remuer 2 fois. Récipient 1 L avec 1 cuiller à soupe d'eau. Couvrir et remuer après 3 minutes. Récipient 1 L avec 1 cuiller à soupe d'eau. Couvrir et remuer une fois.	9-13 min. 5-7 min. 6-9 min.	2 minutes 2 minutes 2 minutes
Betteraves Fraîches entières	5 moyennes	Laver. Enlever 2,5 cm du haut. Mettre dans un récipient 2 L avec 1/4 de tasse d'eau.	12-18 min.	3 minutes

MICRO-ONDES PARTICULARITÉS

CUISSON DES LÉGUMES

LÉGUME	QUANTITÉ	PROCÉDURE DE CUISSON	DURÉE MICRO-ONDES HIGH (100%)	DURÉE DE REPOS À COUVERT
Brocoli Frais, tiges	450 g	Laver et placer dans récipient de 2 L sans eau, couvrir. Remuer après 3 minutes. Faire reposer sans couvercle. Mettre dans un récipient 1 L avec 2 cuillers à soupe d'eau. Remuer après 3 minutes. Faire reposer sans couvercle.	6-8 minutes	3 minutes à découvert
Frais, bouquets	450 g		5-7 minutes	2 minutes à découvert
surgelés, tiges coupées, hachées	paquet 300 g		5-7 minutes	2 minutes à découvert
Choux Bruxelles Frais	4 tasses	Mettre dans un récipient 2 L avec 1/4 de tasse d'eau. Couvrir, remuer après 2 minutes.	6-8 minutes	3 minutes
Surgelés	paquet 300 g	Mettre dans un récipient 1 L avec 2 cuillers à soupe d'eau. Couvrir, remuer après 2 minutes.	6-8 minutes	3 minutes
Chou En lanières	450 g	Mettre dans un récipient 2 L avec 2 cuillers à soupe d'eau. Couvrir, remuer après 4 minutes.	8-12 minutes	2 minutes
En quartiers	450 g	Mettre dans un récipient 2 L avec 2 cuillers à soupe d'eau. Couvrir, remuer après 5 minutes.	12-14 minutes	3 minutes
Carottes Fraîches, rondelles	2 tasses	Récipient 1 L avec 2 cuillers à soupe d'eau. Couvrir. Remuer après 3 minutes.	5-8 minutes	3 minutes
Surgelées, rondelles	2 tasses	Récipient 1 L avec 1 cuiller à soupe d'eau. Couvercle en verre. Déplacer après 3 minutes.	5-7 minutes	3 minutes
Chou-fleur Fais, bouquets	2 tasses	Récipient 1 L avec 1 cuiller à soupe d'eau. Couvercle en verre. Déplacer après 2 minutes.	3-5 minutes	2 minutes
Surgelé, entier	675 g	Enlever feuilles et tige centrale. Récipient 2 L avec 2 cuillers à soupe d'eau. Couvrir.	7-9 minutes	3 minutes
Surgelé, bouquets	paquet 300 g	Récipient 1 L avec 1 cuiller à soupe d'eau. Couvercle en verre. Déplacer après 3 minutes.	4-6 minutes	2 minutes

MICRO-ONDES PARTICULARITÉS

CUISSON DES LÉGUMES

LÉGUME	QUANTITÉ	PROCÉDURE DE CUISSON	DURÉE MICRO-ONDES HIGH (100%)	DURÉE DE REPOS À COUVERT	
Maïs Frais, en épis	2 épis	Plat à tarte 23 cm avec 2 cuillers à soupe d'eau. Couvrir, déplacer après 4 minutes.	6-9 minutes	5 minutes	
	4 épis	Récipient 2 L ovale ou rectangulaire avec 2 cuillers à soupe d'eau. Couvrir, déplacer après 4 minutes.	12-14 minutes	5 minutes	
	Surgelé, en épis	2 épis	Plat à tarte 23 cm avec 2 cuillers à soupe d'eau. Couvrir, déplacer après 4 minutes.	6-8 minutes	5 minutes
		4 épis	Récipient 2 L ovale ou rectangulaire avec 2 cuillers à soupe d'eau. Couvrir.	10-12 minutes	5 minutes
	Surgelé, en grains	paquet 300 g	Récipient 1 L avec une soupe d'eau. Couvrir.	4-6 minutes	2 minutes
			Récipient 1 L avec 1 cuiller à soupe d'eau. Couvrir, remuer après 3 minutes.		
Gombo Frais entiers	340 g	Récipient 1,5-2L avec 1/2 tasse d'eau. Couvrir, remuer après 3 minutes.	8-10 minutes	3 minutes	
	Surgelé, entier ou tranché	paquet 300 g	Récipient 1,5-2L avec 2 cuillers à soupe d'eau. Couvrir, remuer après 3 minutes.	6-8 minutes	3 minutes
Pois, à hile noir Surgelés	paquet 300 g	Mettre dans un récipient 2 L avec 1/4 de tasse d'eau. Couvrir, remuer après 4 minutes.	8-10 minutes	3 minutes	
Pois, verts Frais	2 tasses	Mettre dans un récipient 1 L avec 1/4 de tasse d'eau. Couvrir, remuer après 3 minutes.	4-6 minutes	3 minutes	
	Surgelés	paquet 300 g	Récipient 1 L avec 1 cuiller à soupe d'eau. Couverture en verre. Remuer après 2 minutes.	6-8 minutes	3 minutes
Pommes de terre Au four	2 moyennes	Piquer, placer sur du papier essuie-tout. Tourner et déplacer à mi-cuisson. Garder emballées dans du papier alu.	7-9 minutes	5-10 minutes	
	4 moyennes		13-16 minutes	5-10 minutes	
	Cuites à l'eau	4 moyennes	Peler et couper en quartiers. Placer dans une casserole de 2 litres. Couvrir et remuer après 5 minutes.	9-12 minutes	3 minutes

MICRO-ONDES PARTICULARITÉS

CUISSON DES LÉGUMES

LÉGUME	QUANTITÉ	PROCÉDURE DE CUISSON	DURÉE MICRO-ONDES HIGH (100%)	DURÉE DE REPOS À COUVERT
Épinards Frais	450 g	Laver et parer. Mettre dans un récipient de 3 L couvert sans eau. Remuer après 3 minutes.	5-7 minutes	2 minutes
Surgelés, en feuilles ou hachés	paquet 300 g	Mettre dans un récipient de 1 L couvert sans eau. Remuer après 3 minutes.	6-8 minutes	2 minutes
Courge Reine de table, fraîche	1 entière	Piquer et mettre sur du papier essuie-tout. Retourner après 4 minutes.	7-10 minutes	5 minutes
Zucchini, frais tranché	2 tasses	Récipient 1 L sans eau couvert, remuer après 2 minutes.	2-4 minutes	1 minute
Surgelée, purée	paquet 300 g	Récipient 1 L sans eau couvert, briser et remuer après 2 minutes.	6-8 minutes	2 minutes
Patates douces Au four	2 moyennes 4 moyennes	Piquer et mettre sur du papier essuie-tout. Retourner et déplacer après 5 minutes.	5-9 minutes 10-13 minutes	5 minutes 5 minutes
Tomates Fraîches	2 moyennes 4 moyennes	Couper les tomates en 2, les mettre dans un plat rond couvert. Remuer une fois.	2-4 minutes 5-8 minutes	2 minutes 2 minutes
Légumes en conserve	450-480 g	Récipient 1L. Jeter tout le jus sauf 2 cuillers à soupe. Remuer une fois.	2-4 minutes	2 minutes

MICRO-ONDES PARTICULARITÉS

DEFROST (DÉCONGÉLATION)

Le mode « Defrost » décongèle automatiquement les aliments montrés dans le tableau de décongélation.

- Supposition : décongeler une tranche de viande de 2 livres (900 g).

1. Toucher une fois la commande DEFROST.
2. Sélectionner le type d'aliment voulu en actionnant la même commande DEFROST jusqu'à ce que son nom apparaisse. Ici appuyer 2 fois pour arriver à "steak".
3. Entrer le poids en composant **2 0** sur les touches numériques.
4. Toucher la commande START.

Le four va s'arrêter et des instructions seront affichées. Suivre le message indiqué.

5. Après la première étape, ouvrir la porte. Retourner la tranche et protéger toutes les parties chaudes. Refermer la porte. Toucher la commande START.
6. Après la seconde étape, ouvrir la porte. Protéger toutes les parties chaudes. Refermer la porte. Toucher la commande START.
7. Après la fin du cycle de décongélation, couvrir et laisser reposer comme indiqué sur le tableau qui suit.

Remarque :

1. Si on essaye d'entrer plus ou moins que la valeur permise indiquée au tableau, un message d'erreur s'affiche.
2. La décongélation peut être programmée avec un réglage de durée en plus ou en moins. Voir en page 50.
3. Pour décongeler d'autres aliments ou ces aliments à des poids inférieurs ou supérieurs à ceux indiqués au tableau de décongélation, voir en page 17 : Décongélation manuelle.

TABLEAU DEFROST (DÉCONGÉLATION)

ALIMENT	QUANTITÉ	MARCHE À SUIVRE
1. Viande hachée	0,5 à 3,0 livres (0,3 à 1,3 kg)	Enlevez les morceaux décongelés après chaque étape. Laissez reposer à couvert pour 5 à 10 minutes.
2. Bifteck (côtelettes) (poisson)	0,5 à 4,0 livres (0,3 à 1,8 kg)	Après chaque étape de cycle de décongélation, réarrangez et protégez avec des petits morceaux lisses de feuille d'aluminium. Enlevez toute viande ou poisson presque décongelé. Laissez reposer couvert pour 10 à 20 minutes.
3. Poulet découpé	0,5 à 3.0 livres (0,3 à 1,3 kg)	Après chaque étape de cycle de décongélation, réarrangez ou enlevez toutes pièces chaudes ou décongelées. Laissez reposer couvert pour 10 à 20 minutes.

Remarque :

Vérifiez les aliments dès que le four émet un signal. Après l'étape finale, quelques petites parties restent quelquefois glacées. Laissez reposer pour terminer la décongélation. Ne pas décongeler avant que tous les cristaux de glace se soient dégivrés.

Couvrez ou protégez afin d'empêcher toute cuisson avant la décongélation au coeur de l'aliment. Appliquez des bandelettes lisses de feuille d'aluminium pour recouvrir les bords et les sections minces de l'aliment.

MICRO-ONDES PARTICULARITÉS

SENSOR (CUISSON AU CAPTEUR)

Le capteur est un dispositif à semi-conducteur qui décèle la vapeur (humidité) émise par les aliments qui sont chauffés. Il permet de régler les durées de cuisson et la puissance de chauffe en fonction des divers aliments et de leur quantité.

Utilisation des réglages du capteur :

1. Après que le four ait été branché, attendre 2 minutes avant d'utiliser les paramètres du capteur.
2. S'assurer que l'extérieur du récipient de cuisson et l'intérieur du four sont bien secs. Essuyer toute trace d'humidité avec un linge sec ou du papier essuie-tout.
3. Réchauffer et Popcorn sont les seules commandes possibles dans la minute après cuisson, ouverture et fermeture de porte, ou action sur la commande STOP/CLEAR.
4. Durant la première partie de la cuisson au capteur, le nom de l'aliment apparaîtra à l'affichage. Ne pas ouvrir la porte et ne pas toucher STOP/CLEAR durant cette partie du cycle de cuisson. La mesure du taux de vapeur en serait interrompue. Si cela arrivait, un message d'erreur s'afficherait. Pour poursuivre la cuisson, actionner la commande STOP/CLEAR et sélectionner le temps de cuisson et la variable de puissance.

Quand le capteur calibre la vapeur émise par l'aliment, la durée restante pour la cuisson de l'aliment apparaît. La porte peut être ouverte durant ce laps de temps, on peut alors remuer ou assaisonner les aliments au besoin.

5. Vérifier la température des aliments en fin de cuisson. Si du temps additionnel est nécessaire continuez la cuisson avec puissance et durée variables.
6. Si le capteur ne repère pas correctement la formation de vapeur pendant la cuisson du maïs, le four est arrêté, et l'heure exacte du moment est affichée. Si le capteur ne repère pas correctement la formation de vapeur en utilisant le réchauffage du capteur, ERROR sera affiché, et le four s'arrêtera.
7. Tout mode de cuisson au capteur peut être programmé avec des ajustements de temps en plus ou en moins. Voir en page 34.
8. Chaque aliment présente un temps conseillé. Pour plus d'information, presser sur HELP MENU quand le témoin est allumé.

Sélection d'aliments :

1. Le capteur fonctionne avec les aliments à température normale de conservation. Par exemple, les plats à réchauffer seront à la température du réfrigérateur, et les pommes de terre à rôtir seraient à température ambiante.
2. Les aliments pesant moins de 3 onces (90 g environ) doivent être réchauffés avec durée et puissance variables.

Couvercles d'aliments :

Il est recommandé de couvrir certains aliments. Reportez-vous au tableau.

1. Couvercle de cocotte
2. Film plastique : utilisez les produits recommandés pour la cuisine micro-ondes. Couvrez légèrement, en laissant environ 1/2 po à découvert pour permettre aux vapeurs de s'échapper. Le film plastique ne doit pas être en contact avec les aliments.
3. Papier ciré : recouvrez le récipient complètement ; repliez le papier sous le plat de cuisson pour le maintenir en place. Si le papier est plus étroit que le récipient, utilisez deux couches se chevauchant d'au moins 1 po.

Faire attention en enlevant tout couvercle à ce que la vapeur puisse s'échapper en ne partant pas vers soi.

MICRO-ONDES PARTICULARITÉS

SENSOR REHEAT (CAPTEUR DE RÉCHAUFFAGE))

On peut réchauffer beaucoup d'aliments en ne touchant qu'une commande. Il n'est pas nécessaire de calculer la durée de réchauffage ni sa puissance.

- Supposition : du chili préparé doit être réchauffé.

Toucher la commande SENSOR REHEAT.

Lorsque le capteur perçoit les vapeurs émises par l'aliment, le temps de cuisson restant s'affiche.

POPCORN

- Supposition : un sac de maïs à popcorn de 3,5 onces (environ 100 g) doit être éclaté.

1. Placer le sac sur une assiette en verre renversée de diamètre 22,9 cm (9").

2. Appuyer une fois sur la commande POPCORN.

Ce réglage de capteur convient à la plupart des marques de popcorn à cuire aux micro-ondes. Faites quelques essais pour choisir votre marque préférée. Préparez un seul sac à la fois. Dépliez le sac et préparez selon le mode d'emploi fourni.

TABLEAU SENSOR (CAPTEUR)

ALIMENT	QUANTITÉ	MARCHE À SUIVRE
SENSOR REHEAT pommes de terre, légumes, plats préparés ou autres	4 à 36 onces	Placez dans un récipient ou cocotte légèrement plus grand que la quantité à réchauffer. Aplatissez le contenu si possible. Couvrez d'un couvercle, film plastique ou papier ciré. Couvrez de film plastique ou couvercle pour les quantités importantes ou les aliments à consistance épaisse tels que les ragoûts.
Soupes	1 à 4 tasses	Remuez si possible le plat réchauffé, qui doit être très chaud. Sinon, continuez à réchauffer à puissance et durée variables. Une fois remué, couvrez le plat et laissez reposer 2 ou 3 minutes.
Plats principaux et légumes en conserves	4 à 36 onces	Ajustez pour moins de temps en touchant Power Level deux fois pour de petites quantités de légumes en conserves.
POPCORN	Un seul sac à la fois	N'utilisez que du popcorn conditionné pour cuisson micro-ondes. Faites quelques essais pour choisir votre marque préférée. N'essayez pas de faire éclater les grains restés entiers. Ajustez par plus ou moins de temps si nécessaire, pour accommoder les grains plus mûrs ou les préférences de chacun.
	Sac de 3,0-3,5 onces (taille courante)	Appuyez une fois sur la commande Popcorn. Ce réglage fonctionne bien pour les sacs de cette taille.
	Sac de 1,5-1,75 onces (format snack)	Appuyez deux fois sur la commande Popcorn dans les 2 secondes pour les sacs de taille snack.

SENSOR COOK (CUISSON AU CAPTEUR)

- Pour faire rôtir une pomme de terre :

1. Appuyez sur la commande SENSOR COOK (cuisson au capteur).

MICRO-ONDES PARTICULARITÉS

- Sélectionnez le paramétrage voulu du capteur. Par exemple actionnez **1** pour cuire des pommes de terre au four.
- Appuyez sur la commande START. Quand le capteur détecte la vapeur émise par l'aliment à cuire, la durée restante de cuisson apparaît.

TABLEAU SENSOR COOK (CUISSON AU CAPTEUR)

ALIMENT	QUANTITÉ	MARCHE À SUIVRE
1. BAKED POTATOES	1 à 8 moyennes	Percez. Placez sur le plateau tournant recouvert de serviette en papier. Après la cuisson, retirez du four, enveloppez de feuille d'aluminium et laissez reposer 5 à 10 minutes.
2. FROZEN VEGETABLES	1 à 8 tasses	Mettez sous couvercle ou film plastique. Après la cuisson, remuez et laissez reposer recouvert pendant 3 minutes.
3 FRESH VEGETABLES, SOFT Brocoli Choux de Bruxelles Chou Chou-fleur (en bouquets) Chou-fleur (entier) Épinards Zucchini Pommes cuites	0,25 à 2,0 livres 0,25 à 2,0 livres 0,25 à 2,0 livres 0,25 à 2,0 livres 1 moyen 0,25 à 1,0 livres 0,25 à 2,0 livres 2 à 4 moyen	Lavez et placez dans un récipient. Ne pas ajouter d'eau si les légumes viennent d'être lavés. Posez un couvercle pour des légumes tendres, ou du film plastique pour une cuisson plus croquante. Remuez si possible avant de laissez reposer. Après la cuisson, laissez reposer recouvert de 2 à 5 minutes.
4. FRESH VEGETABLES, HARD Carottes en tranches Maïs en épi Haricots verts Courges, en dés Coupées en moitié	0,25 à 1,5 livres 2 à 4 pièces 0,25 à 1,5 livres 0,25 à 1,5 livres 1 à 2	Placez dans une casserole. Ajoutez 1 à 4 cuillères à soupe d'eau. Posez un couvercle sur les légumes à cuisson tendre, ou du film plastique pour une cuisson plus croquante. Remuez si possible avant de laissez reposer. Après cuisson, laissez reposer recouvert de 2 à 5 minutes.
5. FROZEN ENTREES	6 à 17 onces	Utilisez pour les légumes surgelés prêts à servir. Les résultats seront bons dans la plupart des cas. Faites quelques essais pour trouver votre marque préférée. Défaites l'emballage extérieur et suivez les indications concernant les couvercles. Après la cuisson, laissez reposer recouvert de 1 à 3 minutes.
6. HOT DOGS	1 à 4 portions	Placez la saucisse dans son petit pain et enveloppez d'une serviette en papier.
7. BACON	2 à 6 tranches	Placez le bacon sur une assiette en carton recouverte d'une serviette en papier. Le bacon ne doit pas dépasser hors de l'assiette. Couvrez d'une serviette en papier.
8 FISH, SEAFOOD	0,25 à 2,0 livres	Disposez en rond sur un plat en verre peu profond (enroulez les filets afin qu'ils reposent sur leurs bords repliés). Recouvrez de film plastique. Après la cuisson, laissez reposer recouverts pendant 3 minutes.

MICRO-ONDES PARTICULARITÉS

RECETTES DE CUISSON AU CAPTEUR

Mousse aux canneberges

Pour 6 à 8 personnes

2	tasses de canneberges fraîches	500 ml
1	tasse d'eau	250 ml
³ / ₄	tasse de sucre	175 ml
1	boîte (3 onces) de gélatine à l'orange	90 g
¹ / ₂	chopine de crème à fouetter, fouettée OU	250 ml
1	boîte (8 onces) de gamiture non laitière à dessert	230 g

1. Mélanger les canneberges, l'eau et le sucre dans un bol de 2 pintes/2l. Couvrir de papier ciré. Cuire au four en utilisant le réglage SENSOR REHEAT Moins. Égoutter les canneberges et conserver le jus.
2. Ajouter suffisamment d'eau pour obtenir 2 tasses/500 ml. Dissoudre complètement la gélatine dans ce jus chauffé. Couvrir de papier ciré. Cuire au four en utilisant le réglage SENSOR REHEAT Moins.
3. Ajouter les canneberges et laisser refroidir. Placer au réfrigérateur jusqu'à l'obtention d'un produit consistant. Napper alors les canneberges de crème fouettée. Verser dans les bols à desserts avec une cuillère et garnir de crème fouettée. Conserver au réfrigérateur jusqu'au moment de servir.

Tranches de pommes glacées

Pour 6 à 8 personnes

¹ / ₄	tasse de cassonade	50 ml
3	c. à soupe de margarine ou de beurre	50 ml
2	c. à soupe de confiture d'abricots	30 ml
¹ / ₂	c. à thé de muscade moulue	2 ml
¹ / ₄	c. à thé de sel	1 ml
¹ / ₂	tasse de sucre	125 ml
³ / ₄	tasse de jus d'orange	175 ml
1	c. à soupe de fécule de maïs	15 ml
4	pommes à cuire au four (environ 0,7 kg (1,5 lb)) pelées et coupées en 8 morceaux chacune	700 g
3	c. à soupe de pistaches vertes, hachées	50 ml

1. Mélanger la cassonade, la margarine et la confiture d'abricots dans un petit bol. Faire cuire au four en utilisant le réglage HIGH (100%) pendant 45 secondes à 1 minute, le temps nécessaire pour fondre la margarine et ramollir la confiture. Ajouter la muscade, le sel, le sucre, le jus d'orange et la fécule de maïs. Cuire au four de 4 à 6 minutes en utilisant le réglage HIGH (100%) jusqu'à épaississement, en remuant plusieurs fois.
2. Disposer les tranches de pommes dans un grand plat de service allant au four à micro-ondes. Napper les pommes de la préparation chaude. Bien couvrir d'une pellicule plastique percée de trous. Cuire au four en utilisant le réglage FRESH VEGETABLES : Tendres. Laisser refroidir 5 minutes avant de servir.
3. Parsemer de pistaches. Servir seul ou accompagné de crème glacée à la vanille ou d'un gâteau éponge.

Filets de plie

Pour 4 personnes

³ / ₄	tasse de flocons de maïs	175 ml
3	c. à soupe de persil, haché	50 ml
2	c. à thé d'écorce de citron, râpée	10 ml
¹ / ₂	c. à thé de paprika	2 ml
1	livre de filets de plie	500 g
1	oeuf, légèrement battu	1
	Sauce tartare ou à cocktail, optionnel	

1. Sur du papier ciré, mélanger les flocons de maïs, le persil, l'écorce de citron et le paprika. Tremper les filets dans l'oeuf battu, puis les enrober du mélange de flocons.
2. Placer le poisson dans un plat couvert allant au four à micro-ondes. Cuire en utilisant le réglage FISH, SEAFOOD.
3. Servir avec de la sauce tartare ou à cocktail ou du fromage fondu.

CONVECTION AUTOMATIQUE FONCTIONS

Cette section du manuel d'opérations explique la préparation de 12 plats populaires utilisant les fonctions de grillade AUTO BROIL, de rôtissage AUTO ROAST et de four AUTO BAKE.

Après avoir sélectionné la fonction voulue, suivez les indications de l'affichage.

Pour des conseils pratiques, touchez simplement HELP lorsque le message d'aide HELP s'allume en affichage.

Attention : L'enceinte, la chambre, la porte le plateau tournant, les supports et les plats du four à micro-ondes deviennent chauds. Pour ÉVITER LES BRÛLURES, utilisez des gants épais pour four en enlevant les aliments ou le plateau tournant du four.

AUTO BROIL (VOÛTE AUTOMATIQUE)

AUTO BROIL fait griller automatiquement les hamburgers, le poulet en morceaux, les biftecks et les tranches de poisson.

• Pour faire griller deux hamburgers :

1. Actionnez la commande AUTO BROIL.

2. Sélectionnez le réglage voulu. Par exemple pour des hamburgers entrez **1**.

3. Entrez la quantité au clavier numérique, par exemple **2**. Suivez les informations affichées pour la cuisson.

Pour avoir des hamburgers bien cuits ou saignants, actionnez la commande POWER LEVEL pour choisir respectivement More ou Less. Voir les réglages de plus ou moins de durée en page 50.

4. Touche START.

Après la fin du cycle de préchauffage de gril, le four s'arrête et des instructions sont affichées, suivez ce que dit le message. Ouvrez la porte et placez les hamburgers dans le four, refermez la porte.

5. Touche START.

Remarque :

1. AUTO BROIL peut se programmer avec un ajustement de plus ou moins de temps. Voir la page 48.

2. Si on essaye d'entrer plus ou moins que la valeur permise indiquée au tableau, un message d'erreur s'affiche.

3. Pour faire griller d'autres aliments ou des aliments de poids ou de chiffres inférieurs ou supérieurs aux valeurs établies dans le tableau ci-dessous, reportez-vous au tableau de cuisson au grilloir à convection.

TABLEAU AUTO BROIL (VOÛTE AUTOMATIQUE)

RÉGLAGE/ALIMENT	QUANTITÉ	GRILLE	MARCHE À SUIVRE
1. HAMBURGERS	1 à 8 pesant 1/4 de livre chacun	Inférieure	Choisissez ce réglage pour faire griller des hamburgers. Posez sur la grille inférieure.
2. CHICKEN PIECES (Morceaux de poulet)	0,5 à 3,5 livres	Inférieure	Disposez les morceaux sur la grille inférieure. Après cuisson, laissez reposer 3-5 minutes. La température doit être de 180° F sauf pour les blancs qui doivent être à 170° F.
3. STEAKS (Biftecks)	0,5 à 2,0 livres	Inférieure	Choisissez ce réglage pour faire griller des biftecks de 3/4 à 1 po d'épaisseur. Les biftecks individuels désossés cuisent uniformément. Posez les biftecks sur la grille inférieure. Touche POWER LEVEL une fois une cuisson à point et deux fois pour des biftecks saignants.
4. FISH STEAKS (Tranches de poisson)	0,5 à 2,0 livres	Inférieure	Choisissez ce réglage pour faire griller une tranche de poisson de 3/4 à 1 po d'épaisseur. Posez sur la grille inférieure.

CONVECTION AUTOMATIQUE FONCTIONS

AUTO ROAST (RÔTISSAGE AUTOMATIQUE)

AUTO ROAST fait automatiquement rôtir le poulet, la dinde, le blanc de dinde ou le porc.

- Pour faire rôtir un poulet de 2,5 livres :

1. Touche AUTO ROAST.
2. Sélectionner le réglage voulu. Par exemple pour le poulet entrez **1**.
3. Entrer le poids aux touches numériques, par exemple **2****5** livres.
4. Touche START.

Après la fin du cycle de rôtissage à convection, une tonalité longue retentit. Suivre les consignes du message affiché.

Remarque :

1. AUTO ROAST peut se programmer avec un ajustement de plus ou moins de temps. Voir la page 50.
2. Si on essaye d'entrer plus ou moins que la valeur permise indiquée au tableau, un message d'erreur s'affiche.
3. Pour faire rôtir d'autres aliments ou des plats pesant plus ou moins que les poids donnés au tableau ci-dessous, vérifiez sur le tableau de rôtissage combiné.

TABLEAU AUTO ROAST (RÔTISSAGE AUTOMATIQUE)

RÉGLAGE/ALIMENT	QUANTITÉ	GRILLE	MARCHE À SUIVRE
1. CHICKEN (Poulet)	2,5 à 7,5 livres (1,2 à 3,1 kg)	Inférieure	À la fin du cycle, couvrir d'une feuille d'aluminium et laissez reposer 5 à 10 minutes.
2. TURKEY (Dinde)	6,5 à 9,0 livres (3,0 à 4,0 kg)	Inférieure	Assaisonner au goût. Placer sur la grille inférieure. À la fin du cycle, couvrir d'une feuille d'aluminium et laissez reposer pendant 10 minutes. La température interne des blancs de dinde doit être de 170° F et de 180° F pour les autres pièces.
3. TURKEY BREAST (Blanc de dinde)	3,0 à 6,0 livres (1,4 à 2,7 kg)	Inférieure	Assaisonner au goût. Placer sur la grille inférieure. À la fin du cycle, couvrir d'une feuille d'aluminium et laissez reposer pendant 10 minutes. La température interne des blancs de dinde doit être de 170° F.
4. PORK (Porc)	2,0 à 3,5 livres (0,9 à 1,5 kg)	Inférieure	Le filet de porc désossé est recommandé pour sa cuisson uniforme. Placez sur la grille inférieure. Après la cuisson, retirez du four, couvrez d'une feuille d'aluminium et laissez reposer 5 à 10 minutes. La température interne doit être de 160° F.

CONVECTION AUTOMATIQUE FONCTIONS

AUTO BAKE (SOLE AUTOMATIQUE)

AUTO BAKE automatiquement cuire au four les gâteaux, les carrés au chocolat, muffins, et frites.

- Supposition : cuisson au four d'un gâteau Bundt.

1. Touche AUTO BAKE.
2. Sélectionner le réglage voulu. Pour ce type de gâteau entrer **1**.
3. Touche START.

Remarque :

1. AUTO BAKE peut se programmer avec un ajustement de plus ou moins de temps. Voir la page 50.
2. Pour cuire au four d'autres aliments, reportez-vous au tableau approprié.

TABLEAU AUTO BAKE (SOLE AUTOMATIQUE)

RÉGLAGE/ALIMENT	QUANTITÉ	GRILLE	MARCHE À SUIVRE
1. BUNDT CAKE (Gâteau Bundt)	1 gâteau	Pas de support	Idéal pour préparation à gâteau toute prête ou votre propre recette. Suivre les recommandations ou la recette et placer l'appareil dans un moule à bundt beurré et fariné, enfourner. Laisser refroidir avant de décorer et servir.
2. COOKIES (Biscuits)	1 ou 2 moules à pizza	1 moule sans support 2 moules avec support haut	Idéal pour de la pâte à biscuit réfrigérée. Suivre les recommandations ou la recette et répartir la pâte dans un moule à pizza beurré et fariné. Les biscuits doivent faire environ 8 mm d'épaisseur et 5 cm de diamètre pour les meilleurs résultats. Enfourner à la fin du préchauffage. Laisser refroidir avant de servir.
3. MUFFINS	6-12 coupes, 1 ou 2 moules à muffins	1 moule et pas de support. 2 moules et trépied haut	Idéal pour préparation à muffins toute prête ou votre propre recette pour 6-12 muffins moyens. Suivre les recommandations ou la recette et placer l'appareil dans un moule à muffins. Enfourner à la fin du préchauffage.
4. FRENCH FRIES (Frites)	90-680 g (3-34 onces), 1 ou 2 moules à pizza. Utiliser 2 moules si plus de 340 g	1 moule et pas de support. 2 moules et trépied haut	Utiliser des frites surgelées placées dans le moule à pizza. Il n'y a pas besoin de préchauffage pour les cuire. Pour des pommes allumettes actionner 2 fois POWER LEVEL pour entrer une durée de cuisson inférieure avant d'actionner la commande START.

CUISSON PAR CONVECTION/ COMBINAISON AUTOMATIQUE

Cette section vous fournit des instructions et procédures de cuisson spécifiques. Le four ne doit pas être utilisé sans le plateau tournant en place, et rien ne doit l'empêcher de tourner librement. Vous pouvez enlever la table tournante pour préchauffer le four, et pour préparer les aliments à cuire directement dessus.


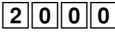
Attention : L'enceinte, la chambre, la porte le plateau tournant, les supports et les plats du four à micro-ondes deviennent chauds. Pour ÉVITER LES BRÛLURES, utilisez des gants épais pour four en enlevant les aliments ou le plateau tournant du four.

CUISSON PAR CONVECTION

Le chauffage par convection fait circuler l'air chaud dans tout l'espace du four pour que les aliments deviennent rapidement dorés et croustillants de part en part. Ce four peut se programmer à dix températures différentes de cuisson par convection pour un maximum de 99 minutes, 99 secondes.

Cuire par convection

- Pour une cuisson de 20 minutes à 350° F :



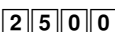
1. Touche CONV./BAKE.
2. Sélectionner la température en actionnant la touche numérique .
3. Entrer la durée de cuisson en sélectionnant  aux touches numériques.
4. Touche START.

Remarque : Si l'on souhaite connaître la température de four programmée, il suffit de toucher la commande CONV./BAKE. La température s'affiche temps que le doigt reste sur cette touche.

Préchauffage et cuisson par convection

Le four peut se programmer pour combiner les fonctions de préchauffage et de cuisson par convection. La convection peut être réglée à la même température que le préchauffage ou à une température plus ou moins élevée.

- Pour un préchauffage à 350° F suivi d'une cuisson de 25 minutes à 375° F par convection :

1. Touche PREHEAT.
2. Sélectionner la température en actionnant la touche numérique .
3. Touche CONV./BAKE.
4. Sélectionner la température en actionnant la touche numérique .
5. Entrer la durée de cuisson en sélectionnant  aux touches numériques.
6. Touche START.

Quand le four atteint la température programmée, un signal sonore retentit 4 fois*. Le four s'arrête et des instructions à suivre sont affichées.

7. Ouvrir la porte, enfourner les aliments, refermer la porte. Actionner START.

* Si la porte du four n'est pas ouverte, le four va automatiquement garder cette température de préchauffage pendant 30 minutes. Après ce délai de maintien un signal sonore est émis et le four s'éteint.

Note:

1. Pour programmer un préchauffage seul, actionner la commande START après l'étape 2. Le préchauffage démarre, et quand le four atteint cette température programmée suivre le message indiqué.
2. Pour préchauffer et cuire à la même température, entrer la même température aux étapes 2 et 4.

CUISSON PAR CONVECTION/ COMBINAISON AUTOMATIQUE

Techniques en convection uniquement

Les aliments tout prêts, comme les gâteaux d'apéritif, pizzas, pâtés impériaux et viennoiseries se cuisent et brunissent rapidement en mode à convection uniquement. Suivez les indications des emballages pour les durées de cuisson conventionnelle.

Le préchauffage du four est nécessaire avec la cuisson à convection pour les pièces d'aliments petites à cuisson rapide (moins de 20 minutes). Les aliments nécessitant des cuissons au four plus longues sont à traiter avec le réglage LOW MIX.

La cuisson au four à deux niveaux permet de cuire à la fois deux plateaux de gâteaux, petits muffins ou pizzas. Les moules à four ronds sont d'excellents ustensiles pour beaucoup d'aliments à cuire avec convection.

Techniques de cuisson du pain au four

Le préchauffage du four n'est pas nécessaire. Enfourez un pâton pour 25 minutes ou deux pour 30 minutes au réglage LOW MIX. Après ce temps de cuisson le pain doit être doré et sonner creux au toucher. Ne laissez pas ensuite le pain dans le four, sortez-les immédiatement pour refroidir sur une grille.

Vérification de la pâte. Utilisez votre propre recette ou de la pâte surgelée. Placez le pâton dans un récipient bien graissé ou un moule à pain. Couvrez avec un linge humide. Mettez au four à réglage SLOW COOK* à 38° C (100° F) pendant 30-45 minutes. La pâte surgelée demande plus de temps, 2-2-3/4 heures. La pâte a doublé quand l'impression demeure après que les doigts se soient enfoncés de 1,25 cm dans la pâte (*il est nécessaire de changer la température sur SLOW COOK).

Tresse ou autres formes. Sortez le plateau tournant du four. Façonnez le pain, en tressant directement sur le plateau. Il n'y a pas besoin de préchauffage. Faites cuire pendant 3/4 du temps de votre recette traditionnelle au réglage LOW MIX.

Techniques des tartes

Tarte à la crème. Cuissez à l'avance et laissez refroidir l'enveloppe de tarte comme indiqué précédemment. Remplissez avec la crème non cuite. Sans préchauffage, faites cuire la tarte sur un moule à four rond placé sur le trépied de gril pendant 30-35 minutes sur LOW MIX* à 163° C (425° F). Si la crème n'est pas complètement cuit, laissez reposer dans le four éteint quelques minutes de plus (*il est nécessaire de changer la température sur LOW MIX).

Fond de tarte. Utilisez un mélange tout prêt, de la pâte surgelée ou votre propre recette pour un fond de tarte simple. Piquez la pâte étalée dans le moule à la fourchette. Préchauffez le four à 218° C (425° F). Placez le moule à tarte sur le trépied de gril. Faites cuire 8-10 minutes avec convection, ou jusqu'à ce que la pâte commence à dorer. Laissez refroidir et garnissez.

Tarte à la crème surgelée préparée. Préchauffez le four à la température indiquée sur l'emballage du produit. Placez la tarte sur le trépied du gril. Faites cuire pendant les trois quarts de la durée indiquée à la température indiquée, en utilisant le réglage LOW MIX. Si le remplissage n'est pas complètement cuit, laissez reposer dans le four éteint quelques minutes de plus.

Tarte aux fruits surgelée toute prête. Ne préchauffez pas le four. Enfourez sur le trépied de gril. Utilisez le réglage HIGH MIX* à 190° C (375° F). Faites cuire 35 minutes pour un diamètre de 20 cm, 40-45 minutes pour 23 cm (*il est nécessaire de changer la température sur HIGH MIX).

Tartes à double croûte ou avec croûte de recouvrement. Préparez la tarte comme pour une cuisson au four traditionnel. Faites des fentes sur la croûte du dessus de la tarte. Préchauffez le four à 204° C (400° F) et enfourez sur le trépied de gril. Faites cuire la tarte à double croûte ou à croisillons 25-35 minutes au réglage HIGH MIX* à 204° C (400° F). Faites cuire la tarte avec émiettement sur le dessus 20-25 minutes au réglage HIGH MIX* à 204° C (400° F) (*il est nécessaire de changer la température sur HIGH MIX).

CUISSON PAR CONVECTION/ COMBINAISON AUTOMATIQUE

Tableau de cuisson au four avec convection

Aliment (moins de 25 minutes de cuisson)	Durée et température de cuisson
Gâteaux d'apéritif : dorés prêts à servir, pâte	Suivre les indications de l'emballage.
Gâteaux : votre recette, mélange ou réfrigéré	Suivre les indications de la recette ou de l'emballage.
Biscuits : Roulés, réfrigérés, formés ou moulés	Suivre les indications de la recette ou de l'emballage.
Bâtonnets de poisson : surgelé	Suivre les indications l'emballage.
Gâteaux fourrés : votre recette ou mélange.	Suivre les indications de la recette ou de l'emballage.
Muffins : votre recette ou mélange	Suivre les indications de la recette ou de l'emballage.
Pizza : votre recette ou surgelé	Suivre les indications de la recette ou de l'emballage.
Soufflés : votre recette ou surgelé	Suivre les indications de la recette ou de l'emballage.
Petits pains : votre recette, paquet ou réfrigéré	Suivre les indications de la recette ou de l'emballage.

Techniques de gâteaux

Gâteaux à étages. Utilisez du mélange tout prêt ou votre propre recette habituelle. Suivez les indications de la recette ou de l'emballage pour le préchauffage et la cuisson. Utilisez le trépied de cuisson au four et le plateau tournant pour cuire deux étages en même temps, en mode AUTO BAKE.

Babas ou gâteaux Bundt. Ne préchauffez pas le four. Placez le gâteau sur le trépied du gril. Faites cuire pendant les trois quarts de la durée indiquée à la température indiquée, en utilisant le réglage LOW MIX. S'il se produit un arc avec le moule à baba cannelé, placez un plat résistant aux micro-ondes et à la chaleur entre le moule et le trépied de gril.

Gâteau des anges. Ne préchauffez pas le four. Faites cuire votre propre préparation ou un mélange tout prêt de 25 à 30 minutes sur LOW MIX, ou jusqu'à ce que la croûte devienne bien dorée et semble bien sèche dans le moule à gâteau des anges.

Quatre quarts et pains éclairs. Ne préchauffez pas le four. Faites cuire pendant les trois quarts de la durée indiquée sur la recette ou le mélange en réglage LOW MIX. Testez la cuisson à la durée minimum. Si le gâteau n'est pas cuit, laissez-le encore quelques minutes dans le four.

Guide de cuisson combinée

ALIMENT	MARCHE À SUIVRE
Gâteaux : votre recette ou mélange <ul style="list-style-type: none"> • Baba ou gâteau Bundt** • Gâteau des anges • Quatre quarts et pain éclair 	<ul style="list-style-type: none"> • Faites cuire sur le trépied de gril à LOW MIX 3/4 du temps de la recette . • Cuisez au four à LOW MIX de 25 à 30 minutes. • Faites cuire à LOW MIX 3/4 du temps de la recette .
Barres de gâteaux : votre recette ou mélange	<ul style="list-style-type: none"> • Faites cuire à LOW MIX aux trois quarts du temps recommandé ou jusqu'à ce qu'une pique en bois enfoncée à cœur ressorte propre.

CUISSON PAR CONVECTION/ COMBINAISON AUTOMATIQUE

Tableau de cuisson au four combinée

ALIMENT	MARCHE À SUIVRE
<p>Tartes</p> <ul style="list-style-type: none"> • Croûte simple : cuite avant garniture, votre recette, mélange ou surgelé • Croûte double • Emiettement sur le dessus • Tarte à la crème • Tarte aux pacanes • Tarte aux fruits surgelée • Tarte à la crème surgelée 	<ul style="list-style-type: none"> • Piquez la pâte avec une fourchette. Préchauffez à 218°C (425°F), enfournez sur le trépied de gril 8-10 minutes ou jusqu'à la dorure légère. Laissez refroidir avant de garnir. • Préchauffez à 204°C (400°F). Faites cuire sur le trépied de gril 25-35 minutes sur HIGH MIX* à cette température. • Préchauffez à 204°C (400°F). Faites cuire sur le trépied de gril 25-25 minutes sur HIGH MIX* à cette température. • Précuisez comme pour une croûte simple, Laissez refroidir. Garnissez avec l'appareil non cuit. Faites cuire à LOW MIX* 163°C (325°C) dans un moule rond sur le trépied de gril 35 minutes. Laissez un peu plus au four si la cuisson est incomplète. • Préchauffez à 177°C (350°F). Faites cuire à LOW MIX* 25-30 minutes. • Enfournez sur le trépied de gril et faites cuire à HIGH MIX * à 190°C (375°F) 30-40 minutes. • Préchauffez le four à la température indiquée sur l'emballage. Enfourez sur le trépied de gril et cuisez aux trois quarts du temps indiqué à LOW MIX à la température indiquée. Si la cuisson est incomplète laissez au four quelques minutes de plus.
<p>Pains</p> <ul style="list-style-type: none"> • Classique : votre recette ou surgelé, décongelé et fermenté à nouveau • Tresse ou autre forme • Muffins : gros, style boulangerie 	<ul style="list-style-type: none"> • Cuisez à LOW MIX 25-30 minutes pour 2 pains. • Enlevez le plateau tournant métallique du four. Placez-y directement le pain. Cuisez à LOW MIX les 3/4 du temps habituel. • Cuisez à LOW MIX les 3/4 du temps de l'emballage ou de la recette.
<p>Desserts</p> <ul style="list-style-type: none"> • Tarte au fromage blanc • Craquants et pavés 	<ul style="list-style-type: none"> • Cuisez à LOW MIX les 3/4 du temps de la recette ou jusqu'à la bonne cuisson du centre. • Cuisez à LOW MIX les 3/4 du temps de la recette.
<p>** En cas d'arcs, placez un plat résistant à la chaleur (plat à tarte en Pyrex®, plateau à pizza en verre ou assiettes de cuisine) entre le bac et le trépied de gril.</p> <p>* Il est nécessaire de changer la température sur HIGH MIX et LOW MIX.</p>	

CUISSON PAR CONVECTION/ COMBINAISON AUTOMATIQUE

Gâteau renversé à la poire et aux épices

Pour 12 personnes

Convection, plateau tournant, trépied haut

Un dessert élégant à confectionner.

- 1 mélange pour gâteau aux épices
- 2 poires pelée, épépinées et coupées en 12 rondelles
- 1 tasse de sucre roux
- 1 morceau de beurre fondu
- 8 cerises au marasquin coupées en deux

1. Préparez le mélange pour gâteau aux épices, comme indiqué sur l'emballage.
2. Préparez deux moules à gâteaux de 23 cm, divisez et répartissez dedans le beurre fondu et le sucre roux.
3. Préparez les poires, en les pelant, les coupant en deux, en enlevant pépins et tige. Placez-les sur la surface de coupe et coupez-les de la partie large vers la pointe en tranches de 6 mm d'épaisseur. Disposez-les en cercle dans les moules, côtés larges vers le bord.
4. Placez trois demies cerises au marasquin au centre avec leur partie bombée sur le fond des moules. Tronçonnez les autres cerises en huit et placez un morceau entre chaque tranche de poire.
5. Répartissez la pâte dans les deux moules.
6. Placez le **trépied haut** sur la **table tournante**, disposez les moules au centre de la table et du trépied. Refermez le four.
7. Actionnez le préchauffage (PREHEAT), sélectionnez **6** 350°F, et pour la cuisson CONV. et la température **6** 350°F, puis sélectionnez **4 5 0 0** pour 45 minutes de cuisson. Vérifiez à 40 minutes et poursuivez jusqu'à la fin si la cuisson n'est pas suffisante.
8. Laissez refroidir 5 minutes sur grille.
9. Renversez en démoulant sur le plat de service pour donner deux jolis gâteaux façon Tatin. Surmontez de crème Chantilly ou de glace à la vanille à votre goût. Surprenez famille et amis par votre créativité.

Strata de fête au fromage

Pour 6 personnes


Convection, trépied bas

Un plat élégant et rapide à faire.

- 1 tasse de lait
- 1 tasse (120 g) de fromage cheddar finement haché
- 1/4 tasse (30 g) de parmesan râpé
- 1/4 cuiller à café de moutarde sèche
- 1/2 teaspoon salt
- 1 pincée de poivre de Cayenne
- 3 jaunes d'œufs
- 2 tasses de pain de mie en cubes
- 1 cuiller à café d'huile
- 1/2 tasse d'oignon, haché sauté
- 1/2 tasse de poivron rouge sauté
- 1/2 tasse de poivron vert sauté
- 120 g champignons de Paris
- 3 blancs d'œufs, battus et montés mais pas secs
- 1 grosse tomate coupée en 6 tranches

CUISSON PAR CONVECTION/ COMBINAISON AUTOMATIQUE

Préchauffez en CONVECTION à 163° C (325° F)

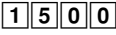
1. Faites bouillir le lait. Ajoutez-y le cheddar, le parmesan, la moutarde, le sel et le poivre. Touillez pour faire partiellement fondre le fromage. Ajoutez les cubes de pain, incorporez les jaunes d'œufs.
2. Faites sauter les poivrons vert et rouges, l'oignon et les champignons dans une poêle à frire avec de l'huile chaude.
3. Montez les blancs d'œufs en neige. Incorporez-les dans la préparation au fromage jusqu'à obtenir une couleur uniforme.
4. Vaporisez un plat à gâteaux de 23 cm avec de l'huile végétale. Répartissez dedans la préparation et les ingrédients, en plaçant les rondelles de tomate sur le dessus autour du bord.
5. Actionnez la touche CONV. et  et entrez une durée maximale de 40 minutes. Vérifiez la cuisson à 35 minutes, si c'est insuffisant refermez et laissez cuire jusqu'à la fin des 40 minutes. Une lame de couteau plongée au cœur de la Strata doit ressortir propre.
6. Servez chaud.

Pour varier, vous pouvez ajouter à la recette du bacon, du poulet, du jambon, ou divers légumes comme pois, brocoli et asperges, pour faire un plat bien adapté à un brunch.

BROIL (Gril)

Le préchauffage est automatique quand le mode BROIL est sélectionné. Seul le temps réel de cuisson est entré, le four signale quand il a atteint le préchauffage à 232° C (450° F). La température du four ne peut pas être modifiée. Utiliser ce mode de cuisson pour les tranches, côtelettes, morceaux de poulet et beaucoup d'autres pièces. Se reporter au tableau de cuisson au gril à convection dans le livre de cuisine.

- Supposition : griller une tranche de viande 15 minutes.

1. Touche BROIL.
2. Entrer la durée de cuisson en sélectionnant  aux touches numériques.
3. Actionner la commande START sans aliments dans le four.

Quand le four atteint la température programmée, un signal sonore retentit 4 fois*.

4. Ouvrir la porte du four, enfourner les aliments et refermer la porte. Actionner la commande START.

* Si la porte du four n'est pas ouverte, le four va automatiquement garder cette température de préchauffage pendant 30 minutes. Après ce délai de maintien un signal sonore est émis et le four s'éteint.

Remarque :

1. Le préchauffage de gril prend de 7 à 10 minutes, en fonction de la température de la pièce et de la puissance disponible.
2. Bien que la durée soit en général fixée pour le temps maximum de grillage, vérifier toujours les aliments au bout du temps minimum recommandé dans le tableau du livre de cuisine. Cela éliminera le besoin de reprogrammer complètement le four si du temps additionnel était nécessaire. Refermer simplement la porte du four et réactiver Start/Touch On pour reprendre jusqu'à la fin du temps maximum.
3. Si plus de temps de gril est nécessaire, reprogrammer dans la minute qui suit la fin pour éliminer le préchauffage.

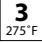
Attention : L'enceinte, la chambre, la porte le plateau tournant, les supports et les plats du four à micro-ondes deviennent chauds. Pour ÉVITER LES BRÛLURES, utilisez des gants épais pour four en enlevant les aliments ou le plateau tournant du four.

CUISSON PAR CONVECTION/ COMBINAISON AUTOMATIQUE

SLOW COOK (Cuisson lente)

Le mode SLOW COOK est préréglé à 149° C (300° F) pendant 4 heures. La température peut être modifiée pour être inférieure. La durée de cuisson ne peut pas être changée. Ce mode est utilisé pour des aliments comme haricots au four ou tranche de viande ferme marinée.

- Supposition : abaissement de la température de 300° F à 275° F.

1. Actionner la commande SLOW COOK.
2. Actionner de nouveau SLOW COOK si la température de consigne 300°F doit être changée.
3. Actionner la touche de température  .
4. Actionner la commande START.

Remarque : Si la température ne doit pas être changée, omettre les étapes 2 et 3.

Tableau de grill avec convection

PIÈCE	POIDS/ÉPAISSEUR	TEMPS DE CONVECTION
Bœuf		Saignant : 10-13 minutes
Bifteck de faux-filet	1,9-2,5 cm 210-240 g pièce	À point : 14-16 minutes Bien cuit : 17-20 minutes
Biftecks : surlonge, aloyau, contre-filet, Faux-filet	2,5-3,8 cm 210-240 g pièce	Saignant : 10-13 minutes À point : 14-18 minutes Bien cuit : 19-25 minutes
Steak de qualité inférieure	2,5 cm	Saignant : 12-14 minutes À point : 15-18 minutes Bien cuit : 19-23 minutes
London broil (farci)	2,5-3,2 cm 1,1 à 1,35 kg	Saignant : 23-25 minutes À point : 26-30 minutes
Hambourgeois	112 g chaque	À point : 13-15 minutes Bien cuit : 18-20 minutes
Porc		
Pièce de filet	1,9-2,5 cm	Bien cuit : 16-20 minutes
Bacon	Tranches standard Tranches épaisses	4-5 minutes 7-8 minutes
Saucisse : chair Fraîches	Galettes : 1,2 cm et 240-450 g Chapelets : 240-450 g	8-10 minutes 8-10 minutes
Jambon tranché cuit	1,9 cm	10-12 minutes
Frankfort	450 g	5-7 minutes

CUISSON PAR CONVECTION/ COMBINAISON AUTOMATIQUE

Tableau de grill avec convection

PIÈCE	POIDS/ÉPAISSEUR	TEMPS DE CONVECTION
Agneau Côtelettes : côte, longe ou noix	1,9 cm 90-120 g pièce	À point : 12-14 minutes Bien cuit : 15-17 minutes
Poulet À griller ou frire, demi, quart ou morceau	450 à 1 350 g	25-35 minutes
Poisson Filets	0,6 à 1,9 cm	6-7 minutes
Darnes	1,9 cm	12-14 minutes

Vérifiez le temps maximum de grillage sur le tableau précédent. Programmez le four pour la durée de grill (BROIL) maximale ou 232°C (450°F), suivez les instructions pour ce mode de cuisson. Assaisonnez et fendez le gras à intervalles de 2,5 cm. Quand vous percevez la signalisation sonore, le four est préchauffé, enfournez alors rapidement les aliments.

Vaporisez le trépied et le plateau tournant d'huile de cuisson anti-adhésion pour faciliter le nettoyage. Ne recouvrez pas le trépied de feuille d'aluminium car cela bloque la circulation de l'air qui assure la cuisson.

Cuisez pour la durée minimum recommandée dans le tableau, puis testez le degré de cuisson. La durée nécessaire dépend de l'épaisseur et du poids de la pièce de viande et du degré de cuisson voulu. Il n'est pas nécessaire de retourner la viande car l'air en circulation la cuit de tous les côtés.

Grillez les aliments à l'avance, si vous le souhaitez, puis tranchez-les. Les portions individuelles peuvent être réchauffées si nécessaire aux micro-ondes avec réglage MEDIUM (50%).

Champignons farcis garniture hawaïenne

Apéritif – pour >20 personnes

Griller

- 450 g champignons de Paris frais, moyens à gros
- 250 cl fromage crème onctueux
- 120 g crevettes décortiquées ou chair de crabe
- 250 cl chair d'ananas écrasée et égouttée
- 1/4 cuiller à café de sel à l'ail
- 2 cuillers à soupe de ciboulette hachée finement
- 1/4 cuiller à café de sel à l'ail
- 1/4 cuiller à café d'éclats de piment de Cayenne
- 1 cuiller à soupe d'huile d'olive
- 1/2 tasse de chapelure sèche

1. Lavez et séchez les champignons, ôtez leurs queues (à garder pour soupe ou ragoût). Si vous utilisez des crevettes roses, mettez-en de côté autant que de têtes de champignons pour la garniture.
2. Mélangez ensemble le fromage crème, les crevettes ou le crabe, l'ananas, la ciboulette, le sel à l'ail et le poivron rouge.
3. Ajoutez l'huile d'olive et la chapelure, pour l'imprégner.

CUISSON PAR CONVECTION/ COMBINAISON AUTOMATIQUE

4. Préchauffez le four en convection pendant 5 minutes. Activez BROIL en définissant une durée de 5-7 minutes, puis activez START.
5. Remplissez les chapeaux de champignons à la cuiller avec la préparation au fromage. Trempez les chapeaux pleins dans la chapelure. Posez la petite crevette décorative sur le dessus, et enfoncez-la dans le mélange de fromage et chapelure.
6. Enfourez sur le trépied bas. Placez-la sur la table tournante, actionnez BROIL, fixez une durée de 5 minutes. Vous pouvez rajouter du temps de cuisson si les champignons ne sont pas assez chauds.
7. Servez chaud à l'apéritif.

Ailes de poulet Teriyaki au sésame

Apéritif – pour >20 personnes

Griller – trépied bas

- 1,10 kg ailes de poulet
- 1/2 tasse de sauce de soja
- 1/2 tasse de xérès
- 1 cuiller à soupe d'huile de sésame
- 1/4 cuiller à café de poivre noir moulu
- 1/2 cuiller à café de poivre de Cayenne
- 1 cuiller à café de fumée de noyer
- 1/2 tasse de sucre roux
- 2 cuillers à soupe de fécule de maïs
- 2 cuillers à soupe de graines de sésame

1. Coupez les extrémités des ailes de poulet et jetez-les, coupez à l'articulation, lavez.
2. Dans une mesure de dosage micro-ondable ajoutez la sauce de soja, le xérès, l'huile de sésame, le poivre noir et de Cayenne et la fumée liquide de noyer.
3. Mélangez dans un grand bol le sucre roux et la fécule de maïs, jusqu'à l'harmonisation de la couleur. Ajoutez à la préparation liquide. Passez au four à micro-ondes sur HIGH de 3 à 5 minutes, jusqu'au début d'épaississement, en ouvrant pour mélanger chaque minute.
4. Mettez le poulet dans un grand bol et versez dessus le liquide chaud pour le recouvrir. Laissez mariner 2 heures à couvert, en remuant de temps en temps.
5. Utilisez le trépied bas, vaporisez avec de l'huile végétale. Placez-y les ailes de poulet. Saupoudrez-les avec les graines de sésame. Faites griller 35 minutes : actionnez BROIL, sélectionnez **3 5 0 0** minutes et actionnez START. La couleur doit devenir d'un joli doré. Il n'est pas nécessaire de retourner les ailes, elles vont dorer des deux côtés.

Servez chaud comme amuse-gueule avec une pile de serviettes en papier, c'est délicieux.

CUISSON PAR CONVECTION/ COMBINAISON AUTOMATIQUE

CUISSON AVEC COMBINAISON AUTOMATIQUE

Ce four a deux réglages préprogrammés qui permettent une cuisson facile avec à la fois automatiquement la chaleur en convection et les micro-ondes.

	Température de four	Puissance micro-ondes
High mix/Roast (Combinaison forte/rôtissage)	149° C (300° F)	30 %
Low mix/Bake (Combinaison faible/cuisson)	177° C (350° F)	10 %

À l'exception des aliments qui se cuisent mieux avec simplement la chaleur par convection, la plupart des aliments bénéficient d'une cuisson hybride à combinaison faible ou forte d'appoint micro-ondes.

Le mariage de ces deux méthodes de cuisson donne des viandes juteuses, non desséchées et tendres, et des pains à texture fine, avec juste la bonne dose de doré et de croustillant.

Les températures peuvent être modifiées, mais pas la puissance des micro-ondes.

La température du four peut être fixée de 38 à 232° C (100-450° F). Il faut pour cela actionner un mode de combinaison High ou Low, puis actionner de nouveau cette même commande. Quand l'affichage montre SELECT TEMP, toucher niveau de température voulue. Par exemple la séquence d'actions peut être pour une température de 190° C (375° F) : HIGH MIX, HIGH MIX, **7**.

Pour cuire avec combinaison automatique

- Supposition : cuisson au four de 25 minutes en combinaison faible.

1. Actionner la commande LOW MIX/BAKE.
2. Entrer la durée de cuisson en sélectionnant **2500** aux touches numériques.
3. Actionner la commande START.

Pour préchauffer et cuire avec combinaison automatique

Votre four peut être programmé pour combiner les opérations successives de préchauffage et de cuisson à combinaison automatique. On peut préchauffer à la même température que la valeur prédéterminée pour la combinaison ou fixer la valeur de préchauffage.

- Supposition : Préchauffage à 350° F et cuisson de 25 minutes à 325° F en combinaison LOW MIX/BAKE:

1. Actionner la commande PREHEAT.
2. Actionner la commande de température **6**_{350°F}.
3. Actionner la commande LOW MIX..
4. Actionner de nouveau LOW MIX pour modifier la température de cuisson.
5. Actionner la commande de température **5**_{325°F}.
6. Entrer la durée de cuisson en sélectionnant **2500** aux touches numériques.
7. Actionner la commande START.

Quand le four atteint la température programmée, un signal sonore retentit 4 fois*. Le four s'arrête et des instructions à suivre sont affichées.

8. Ouvrir la porte, enfourner les aliments, refermer la porte. Actionner START.

* Si la porte du four n'est pas ouverte, le four va automatiquement garder cette température de préchauffage pendant 30 minutes. Après ce délai de maintien un signal sonore est émis et le four s'éteint.

CUISSON PAR CONVECTION/ COMBINAISON AUTOMATIQUE

Remarque : Pour programmer un préchauffage seul, actionner la commande START après l'étape 2. Le préchauffage démarre, et quand le four atteint cette température programmée suivre le message indiqué.

Conseils utiles pour cuisson par convection et combinaison automatique

Votre four à micro-ondes et convection peut cuire n'importe quels aliments parfaitement du fait des nombreuses façons possibles de cuire : micro-ondes uniquement, mélange automatique, convection uniquement ou gril. Ce guide d'utilisation et d'entretien vous dit comment programmer le four, avec des instructions pertinentes, des conseils, des tableaux et des recettes.

Le four ne peut pas être utilisé sans que le plateau tournant soit en place. Ne bloquez jamais le mouvement de ce plateau.

Cuisson par convection :

1. Durant le préchauffage, le plateau tournant peut rester en place ou être enlevé. Quand vous utilisez le trépied du haut pour une cuisson à deux trépieds dans un four préchauffé, il est plus facile d'enlever le plateau tournant durant le préchauffage.

Placez le trépied du haut sur le plateau tournant avec les aliments. Quand le préchauffage est terminé ouvrez la porte du four et mettez rapidement en place le plateau tournant, le trépied du haut et les aliments à cuire.

2. Ne couvrez pas le plateau tournant, le trépied bas ou le haut, avec du papier d'aluminium. cela interfère avec la circulation de l'air qui permet la cuisson des aliments.

3. Les moules à pizza ronds sont d'excellents ustensiles de cuisson pour beaucoup d'aliments à cuire avec convection. Choisissez des moules n'ayant pas de poignées qui dépassent, de 25, 30 et 35 cm de diamètre.

4. L'utilisation du trépied bas avec préchauffage donne une apparence grillée aux steaks, hot dogs, etc.

Cuisson par mélange automatique :

1. Les viandes sont meilleures quand elles sont rôties directement sur le trépied bas. Un plat peut être placé sous la viande si on veut utiliser les écoulements pour une sauce.

2. Les pièces de viande moins tendres peuvent être rôties et attendries en utilisant des sacs de cuisson au four.

3. En cuisant au four vérifiez le degré de cuisson à la fin de la durée prévue. Si elle est incomplète laissez reposer quelques minutes à four pour la terminer.

Remarque : Durant la cuisson mixte certains ustensiles de cuisson métalliques peuvent causer des arcs en entrant en contact avec le plateau tournant, les parois du four ou les trépieds accessoires. Un arc est une décharge d'électricité qui survient quand les micro-ondes entrent en contact avec du métal.

En cas d'arcs, placez un plat résistant à la chaleur (plat à tarte en Pyrex®, plateau à pizza en verre ou assiettes de cuisine) entre le bac et le plateau tournant ou le trépied. Si le phénomène d'arcs arrive avec d'autres ustensiles de cuisson au four, arrêtez leur utilisation dans le mode de cuisson mixte.

CUISSON PAR CONVECTION/ COMBINAISON AUTOMATIQUE

Pizza à la saucisse fumée

Pour 6 à 8 personnes


Mode Low Mix – Trépied du bas

Fond

- 3 tasses de mélange pour pâte à pain
- ³/₄ tasse de lait
- 1 œuf

Garniture

- 4 œufs
- 450 g saucisse fumée cuite coupée en rondelles de 1,2 cm
- 250 g fromage crème onctueux
- 1 tasse de fromage cheddar en tranches fines
- 2 oignons verts en tranches fines
- ¹/₈ cuiller à café de sel et de poivre

1. Mélangez ensemble tous les éléments pour préparer le fond dans un bol moyen. Pétrissez la pâte sur une planche farinée 10 à 12 fois. Vaporisez de l'huile végétale sur un moule à pizza de 35 cm.
2. Étalez la pâte, et répartissez-la de façon égale dans le moule en vous aidant des mains ou d'une cuiller en bois, en partant du centre pour aller vers les bords.
3. Actionnez la touche de préchauffage (PREHEAT), appuyez sur , actionnez LOW MIX, entrez la durée **2|0|0|0**, et actionnez la touche de démarrage START. Cela va démarrer le préchauffage et sélectionner votre programme pour la cuisson.
4. Dans un mixeur battez les œufs avec le fromage crème onctueux, jusqu'à l'obtention d'un appareil lisse, ajoutez sel et poivre.
5. Placez les rondelles de saucisse à 1,2 cm du périmètre du fond, en pressant vers les bords pour former une lèvre autour de la pizza, et répartissez également le reste de la saucisse pour garnir le centre de la pâte.
6. Versez l'appareil sur la pâte jusqu'à 2,5 cm des bords.
7. Saupoudrez avec le cheddar et les oignons verts.
8. Quand la cloche retentit 4 fois le four est préchauffé. Placez le moule à pizza garni sur le trépied bas, puis actionnez START. Le four est programmé pour s'arrêter après 20 minutes.

Cette recette peut être diminuée par deux pour confectionner moins de portions, en utilisant un moule à pizza de 18 à 22 cm pour quatre personnes. Diminuez le temps de cuisson à 15 minutes. Vérifiez que les œufs sont bien cuits. En servant avec des fruits frais, vous avez un plat complet délicieux pour le petit déjeuner.

CUISSON PAR CONVECTION/ COMBINAISON AUTOMATIQUE

Crêpe soufflée aux pommes



Pour 6 personnes

Low Mix

- 2 cuillers à soupe de beurre
- 3 gros œufs
- 1/2 tasse de farine non blanchie
- 1/2 tasse de lait
- 1/4 cuiller à café de sel

- 4 grosses pommes à tarte, pelées et épépinées, en tranches fines
- 2 cuillers à soupe de beurre
- 1/2 tasse de sucre roux
- 1/4 cuiller à café de noix muscade
- 1/2 cuiller à café de cannelle
- 1 pincée de sel
- 1 cuiller à café de fécule de maïs
- 3 gouttes de colorant alimentaire rouge

Préchauffez le four à LOW MIX à 204° C (400° F)

- Préparez les pommes, faites fondre du beurre dans une grande poêle et ajoutez les tranches fines de pomme, le sucre, la cannelle, la muscade, le sel, la fécule de maïs et le colorant. Mélangez et faites cuire jusqu'à la caramélisation et le ramollissement. Couvrez et conservez au chaud après cuisson.
- Beurrez un plat à tarte en Pyrex de 23 ou 25 cm. Enfourez-le sur le trépied bas pour 3 minutes à LOW MIX ou jusqu'à ce que le beurre fonde et fasse des bulles pendant le préchauffage du four.
- Battez les œufs dans un bol, jusqu'à consistance crémeuse jaune pâle. Ajoutez-y farine, lait et sel. Battez pour un mélange lisse. Versez immédiatement dans le plat Pyrex sur le beurre chaud. Refermez la porte. Actionnez deux fois LOW MIX. Passez la température sur 204° C en actionnant  puis fixez une durée de  minutes. Actionnez START, la préparation aux œufs va graduellement monter et bien dorer sur les bords. Versez les pommes assaisonnées sur le dessus de la crêpe soufflée et servez immédiatement pendant qu'elle est chaude.

C'est une bonne idée de préparation pour un brunch et un bon dessert pour l'automne ou l'hiver.

CUISSON PAR CONVECTION/ COMBINAISON AUTOMATIQUE

Tarte à la crème de citron

Pour 10 à 12 personnes



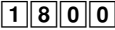
Low Mix – Trépied bas

Le fond foncé sucré de votre tarte met en valeur le jaune brillant et le goût piquant de la préparation au citron.

Pâte pour fond de tarte foncé sucré

- 1 gros œuf
- 2 cuillers à soupe de crème épaisse
- 1/2 cuiller à café d'extrait de vanille
- 1 tasse de farine non blanchie (plus une cuiller à soupe pour farinage)
- 1/4 tasse de fécule de maïs
- 2/3 tasse de sucre en poudre
- 1/4 cuiller à café de sel
- 8 cuillers à soupe de beurre bien froid (ou une plaquette de 125 g coupée en 14)
papier sulfurisé 30 x 30 cm

Le fond par lui-même est très savoureux et mis en valeur par la cuisson à Low Mix.


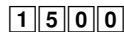
1. Dans un petit bol battez le jaune d'œuf, la crème et l'extrait de vanille.
2. Dans votre mixeur ménager, malaxez avec la lame acier farine, sucre, fécule de maïs et sel pendant 5 à 10 secondes.
3. Dispersez les parcelles de beurre sur le mélange de farine et faites tourner par impulsions de 15 à 20 secondes.
4. Sans arrêter de tourner, ajoutez œuf et crème, et activez par impulsions de 20 à 25 secondes pour former une boule.
5. Sortez la pâte sur une feuille de plastique de 35 cm. Abaissez la pâte pour confectionner un cercle de 15 cm, enrobez-le complètement et mettez la pâte 2 heures au réfrigérateur ou 30 minutes au congélateur.
6. Déballez la pâte refroidie, farinez le papier sulfurisé et placez-y au centre la pâte. Abaissez pour un diamètre de 2,5 cm de plus que la taille du moule à tarte. Roulez toujours de centre vers les bords, en changeant la direction à chaque passage.
7. Actionnez la touche de préchauffage (PREHEAT)  appuyez sur  actionnez LOW MIX, entrez la durée , mettez le trépied bas et actionnez la touche de démarrage START.
8. Enroulez la pâte sur le rouleau à pâtisserie, déroulez-la sur le moule en 2 parties.
9. Relevez la pâte étalée sur les côtés et tassez-la dans le moule sans la déformer.
10. Pressez la pâte dans les bords cannelés elle doit avoir une épaisseur de 6 mm sur les rebords cannelés. Si nécessaire rajoutez de la pâte sur ces bords.
11. Avec la roue dentée coupez le pourtour du fond de tarte. Tassez la pâte dans l'angle du fond de moule.
12. Réalisez deux bandes de 30 x 15 cm avec le papier sulfurisé, confectionnez des cylindres de 2,5 cm sur 30 cm de long à mettre sur le pourtour du fond pour maintenir la pâte en place à la cuisson, ou maintenez-la par des billes de verre ou des haricots sur le pourtour.
13. Mettez dans le four préchauffé, sur le trépied bas pour 18 minutes. Le fond va devenir foncé.
14. Pendant que le fond cuit, préparez la crème citron (lemon curd) pour la garniture.

CUISSON PAR CONVECTION/ COMBINAISON AUTOMATIQUE

Crème au citron (lemon curd) pour la garniture de tarte

Convection – Trépied bas

- 1 fond de tarte foncé sucré de 23 à 25 cm précuit
- 7 jaunes de gros œufs
- 1 gros œuf entier
- 1,5 tasse de sucre en poudre
- 1 cuiller à soupe de zeste de citron
- $\frac{3}{4}$ tasse de jus de citron frais (4 ou 5 fruits)
- $\frac{1}{2}$ tasse d'eau
- $\frac{1}{4}$ cuiller à café de sel
- $\frac{1}{4}$ tasse de crème

1. Pendant que cuit le fond de tarte, préparez sa garniture.
2. Battez ensemble les jaunes d'œufs et l'œuf entier dans un bol neutre pendant environ 5 secondes.
3. Conseil : prélevez le zeste de citrons quand ils sont encore froids ou tempérés, en ne prélevant que la partie jaune (le blanc est amer).
4. Avant de couper les citrons, roulez-les avec la paume de main sur une surface dure puis mettez-les au four à micro-ondes de 5 à 10 secondes par citron. Ainsi vous récupérez plus de jus.
5. Ajoutez aux œufs le sucre, le jus de citron, le zeste et le sel, battez l'ensemble.
6. Dans une casserole de taille moyenne, faites cuire à feu moyen en touillant avec une cuiller en bois en permanence. L'appareil doit s'épaissir et monter à la température de 76°C (170°F) au thermomètre à sucre au bout de 5 minutes environ. Enlevez alors du feu.
7. Versez la crème dans un chinois à tamis métallique posé sur un récipient, et passez-la en appuyant avec le dos de la cuiller en bois. La crème finale doit être soyeuse.
8. Ajoutez alors la crème et intégrez-la complètement.
9. Versez l'appareil dans le fond de tarte chaud, en le répartissant bien.
10. Activez la touche CONVECTION, activez  et composez  pour la durée. En fin de cuisson le centre va onduler un peu. Sortez du four et placez la tarte à refroidir sur une grille pendant au moins 45 minutes.
11. Enlevez le cerclage cannelé du moule, et avec une spatule longue passée en le fond de tarte et le dessous de moule faites passer la tarte sur le plat de service.
12. Quand la tarte est complètement refroidie, coupez et décorez avec de la menthe fraîche ou des fraises fraîches de saison.

Le fond sucré foncé ajoute à l'apparence de la crème jaune, pour une combinaison jolie à l'œil et un goût rafraîchissant.

CUISSON PAR CONVECTION/ COMBINAISON AUTOMATIQUE

Flan cubain

Pour 12 personnes

Low Mix - Trépied bas

Flan

- 120 g fromage crème
- 4 gros œufs entiers
- 2,5 tasses de lait concentré sucré
- 2 tasses de lait

Sauce caramel

- 2,3 tasses de sucre cristallisé
- 1/2 cuiller à café de jus de citron
- 3/4 tasse d'eau chaude

1. Placez sucre et jus de citron dans une casserole. Cuisez à feu moyen, en remuant constamment avec une cuiller en bois. Le sucre doit commencer à fondre et passer couleur caramel blond. Poursuivre la cuisson jusqu'à l'obtention de la couleur de caramel voulue.
2. Versez doucement le caramel dans l'eau chaude et continuer de remuer en cuisant. Une fois le caramel dissous en sirop, arrêtez la cuisson et laissez refroidir complètement. Vous pouvez alors rajouter de l'eau si nécessaire pour obtenir la bonne consistance.

Confection et cuisson du flan

1. Laissez réchauffer le fromage crème à la température ambiante. Placez-le dans le mixeur avec l'accessoire palette. Ajoutez les œufs un à un en incorporant jusqu'à l'obtention d'un mélange lisse. Récurez les parois pour vous assurer que le fromage est mélangé de façon homogène aux œufs.
2. Ajoutez progressivement le lait concentré sucré et le lait pour bien incorporer. Passez au tamis pour retenir tous grumeaux ou morceaux de coquille. Dans un moule à pain de 21,6 x 11,4 cm, versez d'abord au fond la sauce caramel, puis la préparation de flan par-dessus.
3. Placez le moule à pain dans un moule à gâteaux plus grand 23 x 33 cm.
4. Faites chauffer aux micro-ondes 4 tasses d'eau.
5. Mettez l'eau chaude dans le grand moule avec le moule du flan, pour une cuisson au bain-marie, en veillant à ne pas mettre de l'eau plus qu'à 1,9 cm du bord. Placez l'ensemble sur le trépied bas, en vérifiant que la table peut tourner sans que le moule ne touche les parois.
6. Actionnez LOW MIX et entrez **4|5|0|0** minutes. Fermez la porte et actionnez START. En fin de cuisson une lame de couteau enfoncée à cœur doit ressortir propre, et le centre du flan doit rester ferme et plat. Si nécessaire poursuivez un peu la cuisson.
7. Retirez avec précautions le moule du flan de l'eau chaude, laissez refroidir complètement et mettez au réfrigérateur. Démoulez à froid, après avoir passé une lame de couteau autour des bords, En le retournant sur le plat de service. Le flan doit être assez ferme pour y couper des tranches de 1,9 cm. Disposez les tranches sur assiettes, napées du reste de sauce caramel, servez avec un fruit frais ou une pointe de menthe en décoration.

CUISSON PAR CONVECTION/ COMBINAISON AUTOMATIQUE

Poulet frit épicé à la mexicaine

Pour 4 à 6 personnes

High Mix

- 120 g de miettes de craquelins au fromage
- 2 cuillères à soupe de mélange à taco sec
- 1 œuf
- 1 cuiller à soupe d'eau
- 4-6 cuisses et hauts de cuisse de poulet, ou 4-6 filets, ou un poulet entier découpé

1. Utilisez le mixeur domestique pour traiter ensemble les craquelins au fromage et le mélange pour taco. Versez le résultat dans une assiette.
2. Dans un bol mélangez une cuiller à soupe d'eau et un œuf.
3. Lavez les morceaux de poulet et essuyez-les pour les sécher.
4. Trempez chaque morceau de poulet dans l'œuf délayé, puis dans les miettes assaisonnées, puis placez les sur le trépied bas sur la table tournante. Répartissez les morceaux, en plaçant les plus gros vers le bord et les plus petits au centre.
5. Actionnez deux fois HIGH MIX, puis 7_{375°F}, puis 3000 pour la durée. Pour une bonne cuisson, la meilleure température est de 82° C (180° F) pour les cuisses et 77° C (170° F) pour les filets. Vérifiez les températures dans la chair au bout de 25 minutes, vous pouvez si nécessaire laisser cuire les morceaux 5 minutes de plus jusqu'à la fin du délai en refermant la porte. L'utilisation systématique d'un thermomètre instantané à viande est toujours une bonne idée. Le poulet doit toujours être bien cuit.

Ce plat est goûteux, préparez une salade verte durant la cuisson, avec légumes et fruits. Le succès est garanti.

AUTRES PARTICULARITÉS PRATIQUES

SÉQUENCE DE CUISSON MULTIPLE

Le four peut être programmé pour jusqu'à 4 séquences automatiques de cuisson pour le mode micro-ondes, et 4 séquences automatiques de cuisson avec préchauffage pour le mode convection/combinaison, en commutant d'un réglage de puissance à l'autre automatiquement.

Parfois les instructions de cuisson vous indiquent de démarrer à une puissance et de changer ensuite pour une différente. Votre four le fait automatiquement.

- Supposition : cuisson d'une pièce de boeuf à rôtir 5 minutes à 100 % puis 30 minutes à 50 %.
1. Activer d'abord la commande de niveau de puissance deux fois pour 100 %. Puis entrer la première durée de cuisson.
 2. Activer la commande de niveau de puissance **5** pour 50 %. Puis entrer la seconde durée de cuisson.
 3. Activer la commande START.

Remarque :

1. Comme la commande POWER LEVEL a été activée deux fois, HIGH est affiché.

2. Si l'on souhaite connaître le niveau de puissance programmée, il suffit de toucher la commande POWER LEVEL. La puissance s'affiche tant que le doigt reste sur cette touche.

RÉGLAGE DES TEMPS DE CUISSON

Si vous avez constaté par expérience préférer une cuisson un peu plus poussée dans les modes avec capteur, décongélation, gril, rôtissage et cuisson au four avec convection, actionnez une fois la commande POWER LEVEL après votre sélection.

Si vous avez constaté par expérience préférer une cuisson un peu moins poussée dans les modes avec capteur, décongélation, gril, rôtissage et cuisson au four avec convection, actionnez deux fois la commande POWER LEVEL après votre sélection.

EXTRA MINUTE (MINUTE SUPPLÉMENTAIRE)

La touche EXTRA MINUTE permet de commander une cuisson d'une durée d'une minute au niveau 100 %. Au cours du fonctionnement manuel, il est possible d'augmenter la durée de cuisson par incrément de 1 minute en appuyant sur cette touche autant de fois qu'il est nécessaire.

- Supposons que l'on veuille réchauffer une tasse de soupe pendant une minute.

Appuyer sur la touche EXTRA MINUTE.

Remarques :

1. La touche EXTRA MINUTE n'a d'effet que pendant la cuisson ou que dans la minute suivant une cuisson, l'ouverture et la fermeture de la porte, et la pression sur la touche STOP/CLEAR.

2. EXTRA MINUTE ne peut pas être utilisé avec SENSOR (Capteur), SENSOR COOK (Cuisson par capteur), DEFROST (Décongélation), AUTO BROIL, AUTO ROAST ni AUTO BAKE.

HELP MENU (MENU D'AIDE)

La touche HELP MENU facilite l'emploi du four en permettant l'affichage d'instructions pour 5 fonctions.

1. Verrouillage de sécurité

Le verrouillage de sécurité évite une utilisation indésirable du four à micro-ondes par des enfants par exemple. Le four peut être configuré pour que son tableau de commandes soit désactivé ou verrouillé. Pour ce faire, toucher HELP MENU, le chiffre **1** puis START. Si on veut ensuite activer une commande LOCK apparaît à l'affichage

Pour annuler le verrouillage, toucher HELP MENU puis STOP/CLEAR.

AUTRES PARTICULARITÉS PRATIQUES

2. Suppression du signal sonore

Si on désire que le four n'émette pas de signal sonore pendant son fonctionnement, appuyer sur la touche HELP MENU, la touche **2** et la touche STOP/CLEAR.

Pour rétablir l'émission du signal sonore, appuyer sur la touche HELP MENU, la touche **2** et la touche START.

3. Démarrage automatique

Si on désire programmer le four de façon à ce qu'il commence la cuisson à une heure précise, procéder comme suit :

- Supposons que l'on veuille commencer la cuisson d'un ragoût à 4:30 au niveau 50 %, pendant 20 minutes. Avant tout, s'assurer que l'horloge indique l'heure exacte.

1. Appuyer sur la touche HELP MENU.
2. Toucher le chiffre **3** pour sélectionner Auto Start (démarrage auto).
3. Pour entrer l'heure de démarrage à 4 :30, activer successivement **4**, **3** et **0**.
4. Activer la commande CLOCK.
5. Pour entrer le programme de cuisson, activer POWER LEVEL, puis **5** et ensuite **2**, **0**, **0**, **0** pour la durée de cuisson.
6. Activer la commande START. L'heure de démarrage automatique choisie va s'afficher.

Remarques :

1. Le mode Auto Start peut être utilisé pour la cuisson manuelle, le grillage, le rôtissage et la cuisson avec convection, si l'horloge est paramétrée.
2. Si on ouvre la porte du four après avoir programmé un démarrage automatique, il faut appuyer sur la touche START de manière à afficher l'heure à laquelle doit commencer la cuisson, faute de quoi celle-ci ne débutera pas à l'heure prévue.
3. S'assurer que les aliments peuvent être conservés sans risque dans le four jusqu'à l'heure de leur cuisson. Les courges et potirons font partie de ceux-là.
4. Pour connaître l'heure, appuyer sur la touche CLOCK. L'heure est affichée aussi longtemps que l'on maintient la pression d'un doigt sur cette touche.

4. Sélection de langue

Le four à micro-ondes est d'origine paramétré en anglais. Pour changer actionner HELP MENU et entrer **4**. Continuer d'actionner **4** jusqu'à ce que la langue choisie soit sélectionnée. Toucher alors la commande START.

Un appui sur **4** : sélection de l'anglais.

Deux appuis sur **4** : sélection de l'espagnol.

Trois appuis sur **4** : sélection du français.

5. Sélections de poids et de température

Le four à micro-ondes est d'origine paramétré pour les unités américaines de température et poids. Pour changer actionner HELP MENU et entrer **5**. Continuer d'actionner **5** jusqu'à ce que les unités choisies aient été sélectionnées. Toucher alors la commande START.

Un appui sur **5** : sélection de LB/°F.

Deux appuis sur **5** : sélection de KG/°C.

AUTRES PARTICULARITÉS PRATIQUES

KITCHEN TIMER (MINUTERIE DE CUISINE)

- Supposition : chronométrage d'un appel téléphonique longue distance pour 3 minutes.

1. Actionner la commande KITCHEN TIMER.
2. Entrer la durée touchant la séquence **3 0 0**.
3. Actionner la commande START.

START (DÉMARRAGE)

START permet de cuire à puissance maximale (100 %) aussi longtemps que l'on maintient la pression d'un doigt sur la touche START. START est parfait pour faire fondre du fromage, porter du lait à une température tout juste inférieure à la température d'ébullition, etc.

La durée maximale d'utilisation est de 3 minutes.

- Supposons que l'on veuille faire fondre un morceau de fromage sur une tranche de pain.
1. Maintenir la pression d'un doigt sur la touche START. La durée s'affiche.
 2. Lorsque le fromage a atteint l'onctuosité désirée, relâcher la pression du doigt sur la touche START. Le four cesse immédiatement de fonctionner.

Remarques :

1. *Noter les temps nécessaires concernant à diverses opérations fréquentes et les programmer pour une utilisation future.*
2. *La touche START n'a d'effet que au cours de la minute qui suit une cuisson, l'ouverture et la fermeture de la porte ou une pression sur la touche STOP/CLEAR.*
3. *La touche START ne peut être utilisée que trois fois de suite. Il faut ensuite ouvrir et fermer la porte du four ou appuyer sur la touche STOP/CLEAR, pour augmenter le temps de cuisson.*

AIDE (INDICATION À L'AFFICHAGE)

Chaque configuration des modes décongélation, gril/rôtissage/cuisson au four avec convection et cuisson avec capteur est accompagnée d'un conseil de cuisson. Pour le lire, toucher la commande HELP MENU à chaque fois que HELP est activé à l'affichage interactif pour accéder aux messages d'aide.

MODE DE DÉMONSTRATION

Pour lancer une démonstration, toucher dans l'ordre CLOCK, **0** et la commande START à maintenir pendant 3 secondes. DEMO ON va s'afficher. On peut alors démontrer les opérations de cuisson et les possibilités spécifiques sans que le four à micro-ondes ne génère de puissance. Par exemple, l'appui sur la commande EXTRA MINUTE provoque l'affichage de 1.00 suivi d'un décompte rapide jusqu'à l'affichage de END à la fin.

Pour sortir du mode démonstration, toucher dans l'ordre CLOCK, **0**, et la commande STOP/CLEAR. Si c'est plus facile, débrancher le four de sa prise secteur et le rebrancher.

NETTOYAGE ET ENTRETIEN

Débrancher le cordon secteur avant de nettoyer, ou laisser la porte ouverte pour inactiver le four micro-ondes durant son nettoyage.

EXTÉRIEUR

La surface extérieure du four est peinte. Nettoyez l'extérieur à l'eau et au savon doux; rincez et séchez avec un linge doux. N'employez aucun produit de nettoyage de ménage ou produit abrasif.

NETTOYAGE ET ENTRETIEN

PORTE

Essuyez les deux faces de la porte avec un linge humide pour supprimer toutes éclaboussures. Les parties métalliques sont plus faciles à entretenir si elles sont essuyées souvent avec un linge humide. Éviter l'utilisation de pulvérisateur et autres nettoyeurs forts pour ne pas tacher, strier ou délustrer la surface de la porte.

PANNEAU TACTILE DE COMMANDE

Nettoyez le panneau avec précaution. S'il se salit, le désactiver en ouvrant la porte du four avant le nettoyage. Essuyez le panneau avec un linge légèrement humecté d'eau seulement. Séchez avec un linge doux. Ne pas frotter, récurer, ni utiliser aucun produit d'entretien chimique. Utilisez le moins d'eau possible. Fermez la porte et touchez STOP/CLEAR.

INTÉRIEUR - APRÈS CUISSON AUX MICRO-ONDES

Le nettoyage est facile car il y a peu de chaleur dégagée sur les surfaces intérieures. De ce fait il n'y a pas de surchauffe ni de projections ou éclaboussures. Pour nettoyer les surfaces intérieures, essuyez avec un chiffon doux et de l'eau chaude. N'UTILISEZ PAS DE NETTOYANTS ABRASIFS OU FORTS, NI DE TAMPONS À RÉCURER. Pour les salissures coriaces, utilisez du bicarbonate de soude ou du savon doux. Rincez complètement à l'eau claire. NE PROJETEZ JAMAIS DE NETTOYANT POUR FOUR DIRECTEMENT SUR UNE PARTIE QUELCONQUE DU FOUR À MICRO-ONDES.

INTÉRIEUR - APRÈS CUISSON PAR CONVECTION OU COMBINÉE, OU GRILLADE

Les corps gras et l'humidité peuvent laisser des éclaboussures. Lavez immédiatement à l'eau chaude savonneuse. Rincez à fond et séchez par polissage. Des salissures plus difficiles à enlever peuvent se former si le four n'est pas nettoyé scrupuleusement et en cas de cuisson prolongée ou à haute température. En pareil cas, il conviendrait d'acheter un tampon à nettoyer les fours, déjà imbibé d'un produit liquide et destiné aux surfaces d'acier inox ou de porcelaine - et non pas un tampon à récurer, saturé de savon. Suivez soigneusement le mode d'emploi du fabricant et prenez particulièrement soin de ne pas laisser pénétrer le liquide dans les perforations des parois ni nulle part sur la porte. Rincez à fond et séchez par polissage.

Après le nettoyage complet de l'intérieur, la graisse résiduelle peut être éliminée des conduites intérieures et des éléments chauffants en faisant simplement fonctionner le four à 232°C (450°F) pendant 20 minutes sans aliments dedans. Ventilez la pièce si nécessaire.

COUVERCLE DU GUIDE D'ONDES

Lavez soigneusement toute particule d'aliment déposée sur le couvercle du guide d'ondes qui se trouve à la surface supérieure de l'intérieur du four.

DÉSODORISATION

Des odeurs de cuisine peuvent éventuellement persister dans le four. Pour les éliminer, mélangez le jus et l'écorce râpée d'un citron et quelques clous de girofle, avec une tasse d'eau dans un récipient de deux tasses. Faites bouillir quelques minutes au niveau de 100 %. Laissez refroidir dans le four. Essuyez l'intérieur avec un linge doux.

PLATEAU TOURNANT/SUPPORT DE PLATEAU/GRILLES À TRÉPIED

Le plateau tournant, son support et les grilles peuvent être sortis pour faciliter leur nettoyage. Lavez-les avec une solution d'eau et détergent doux, les taches rebelles étant éliminées avec un nettoyant doux et une éponge non abrasive. Ces accessoires peuvent aussi passer au lave-vaisselle. Pour le plateau tournant utilisez l'étagère supérieure du lave-vaisselle.

Les aliments à forte acidité, comme les tomates ou citrons, peuvent provoquer une décoloration de l'émail du plateau tournant. N'y cuisez donc pas directement d'aliments acides, et en cas d'écoulements essuyez-les immédiatement.

L'axe du moteur de la table tournante n'est pas étanchéifié, des excès de liquide ou des déversements ne doivent pas stagner dans cette zone.

FICHE TECHNIQUE

Tension d'alimentation :	Classification UL - Monophasé 120 V, 60 Hz, courant alternatif seulement Classification CSA - Monophasé 117 V, 60 Hz, courant alternatif seulement
Alimentation requise :	Classification UL - Micro-ondes 1,55 kW, 13 A Classification UL - Convection 1,55 kW, 13 A Classification CSA - Micro-ondes 1,5 kW, 13 A Classification CSA - Convection 1,5 kW, 13 A
Puissance de sortie :	
Micro-ondes*	900 watts
Chauffage à convection	1 450 watts
Fréquence :	2 450 MHz
Dimensions extérieures :	24 ⁵ / ₈ (L) x 14 ⁷ / ₈ (H) x 19 (P) po
Dimensions de la cavité :	16 ¹ / ₈ (L) x 9 ⁵ / ₈ (H) x 16 ¹ / ₈ (P) po
Capacité du four** :	1,5 pi ³ (42,5 l)
Uniformité de cuisson :	Plateau tournant, diamètre 15 ³ / ₈ po
Poids :	Environ 60 lb (27,2 kg)


* Méthode normalisée de la Commission électrotechnique internationale pour la mesure de puissance débitée. Cette méthode de mesure est largement reconnue.

** La capacité intérieure est calculée en mesurant la largeur maximale, la profondeur maximale et la hauteur maximale et en multipliant ces mesures. La contenance réelle est inférieure au résultat obtenu.

Conforme aux normes établies par :

FCC – Federal Communications Commission

DHHS – Conforme au règlement CFR Title 21 chapitre I section J du Department of Health and Human Services (DHHS)

 – Ce symbole sur la plaque signalétique signifie que le produit est homologué par Underwriters Laboratories, Inc. pour utilisation aux États-Unis ou au Canada.

SBSC – Santé et Bien-être social Canada.

Ce four à micro-ondes fait partie de la liste des produits homologués par l'Association canadienne de normalisation.

APPEL DE SERVICE

Vérifier ce qui suit avant de faire appel à un réparateur :

1. Placer une tasse d'eau dans un verre gradué dans le four et bien fermer la porte. Faire fonctionner le four pendant 1 minute à puissance ÉLEVÉE 100 %.

A. Est-ce que la lumière du four est allumée? OUI _____ NON _____

B. Est-ce que le ventilateur de cuisson fonctionne? OUI _____ NON _____
(Placer sa main sur l'évent à lame à l'arrière du four.)

C. Est-ce que le plateau tournant tourne? OUI _____ NON _____
(Il est normal pour le plateau de tourner dans un sens ou dans l'autre.)

D. Est-ce que l'eau est chaude? OUI _____ NON _____

2. Enlever l'eau du four et mettre le four en route pour 5 minutes sur Convec à 450° F.

Faire fonctionner le four pendant une minute sur HIGH 100%

A. Les témoins CONV et COOK s'allument-ils? OUI _____ NON _____

B. L'intérieur du four est-il chaud quand le four s'arrête? OUI _____ NON _____

Si la réponse à l'une ou l'autre de ces questions est NON, vérifier la prise électrique, le fusible ou le disjoncteur. S'ils fonctionnent convenablement, COMMUNIQUER AVEC LE RÉPARATEUR DCS AUTORISÉ LE PLUS PROCHE.

Il ne faut jamais réparer un four à micro-ondes soi-même.

Remarque : Si le temps qui apparaît dans l'affichage diminue très rapidement, vérifier le MODE DE DÉMONSTRATION à la page 52 et annuler.

DURÉE DE LA GARANTIE

Un (1) an pour les pièces et la main d'œuvre. Cette période de garantie est prolongée de quatre (4) ans, soit cinq (5) ans au total, pour le tube magnétron du produit, au niveau pièces uniquement (la main d'œuvre et le service ne sont pas fournis gratuitement pour cette prolongation de garantie sur certaines pièces).

DCS PAIERA POUR

Toutes les pièces trouvées défectueuses, et la main d'œuvre de réparation associée, en cas de défaut du aux matériaux ou à la main d'œuvre de fabrication, pendant une année complète à compter de la date d'achat. Le dépannage doit être effectué par un agent agréé par l'usine, durant les heures ouvrables normales.

DCS NE PAIERA PAS POUR

- Installation ou démarrage.
- Dommages de transport.
- Dépannage par un agent non agréé.
- Dommages ou réparations provoqués par une agence non autorisée ou par l'utilisation de pièces non autorisées.
- Dépannage en dehors des heures ouvrables normales.
- Installation défectueuse, comme un accrochage non approprié, etc.
- Visites de service pour vous apprendre à utiliser l'appareil, corriger l'installation, restaurer les disjoncteurs ou remplacer les fusibles du circuit d'alimentation électrique.
- Réparations de problèmes dans un contexte sortant d'une utilisation domestique normale.
- Dommages causés par accident, abus, altération, mauvaise installation ou installation non conforme aux réglementations locales.
- Unités installées pour des applications non résidentielles, comme dans des centres de soins, chambres d'hôtes, églises, nurseries, restaurants, hôtels, écoles, etc.

Cette garantie ne s'applique que pour des appareils utilisés dans des applications résidentielles, elle exclut l'utilisation dans des situations commerciales.

Cette garantie concerne des produits achetés et détenus dans les 50 états des USA, le district de Columbia et le Canada. Cette garantie est maintenue même si vous devez déménager durant sa période. Si l'appareil était vendu par l'acheteur d'origine pendant la période de garantie, le nouveau propriétaire continuera de bénéficier de la protection de cette garantie jusqu'à la date d'expiration donnée à l'acheteur d'origine.

Cette garantie vous donne des droits légaux spécifiques. Vous pouvez également avoir d'autres droits qui varient d'un état à l'autre.



PERFECT HEAT.

5800 Skylab Road, Huntington Beach, CA 92647
Tel: 714.372.7000 • Fax: 714.372.7001
Customer Service: (888) 281-5698
www.dcsappliances.com

As product improvement is an ongoing process at DCS, we reserve the right to change specifications or design without notice.

DCS améliore constamment ses produits et se réserve le droit de modifier les spécifications ou la conception de ses produits sans aucun préavis.

TINSEB374MRK0
P/N17752