

24" Professional Microwave by DCS

Professional chefs demand performance when they cook. So should you. Because DCS is the only major manufacturer to sell both commercial and residential ranges, we have unique experience in creating products with exceptional performance.

Our tireless pursuit of professional performance has led to several unique innovations many of which you will not find in other residential ovens.

1200 WATTS OF POWER: There are some occasions in cooking when you simply need a lot of power. Turn up the juice on a residential microwave and you might be disappointed with the result. That's why DCS designed a microwave with 1200 watts of power.

That means faster popcorn.

2.0 CUBIC FEET: Not all things that go into a microwave are small. This simple fact appears to have escaped the notice of other manufacturers, who continue to make small microwaves. Our Microwave oven has 2.0 cubic feet of space.

That means you can re-heat entire dishes.

We encourage you to find out more about these features and learn how they could make you a better cook by visiting our learning page at: dcsappliances.com.



COLOR:

Classic Stainless

MO-24SS

(Shown with optional 30" build-in trim kit. Also, available in 27" width.)



www.dcsappliances.com

Specifications

Additional Features

- 24" stainless steel microwave
- Carousel turntable system
- Smart and efficient sensor settings
- Complete with oven light
- Available for built-in or free-standing application
- Optional professional style trim kits to complement 27" and 30" ovens available

Weight

- Approx. Unit Weight = 40 lbs
- Approx. Shipping Weight = 46 lbs

Optional Features

- Trim kits to complement 27" and 30" ovens available.
- Models are MOTK-27 and MOTK-30

Standard Microwave Model

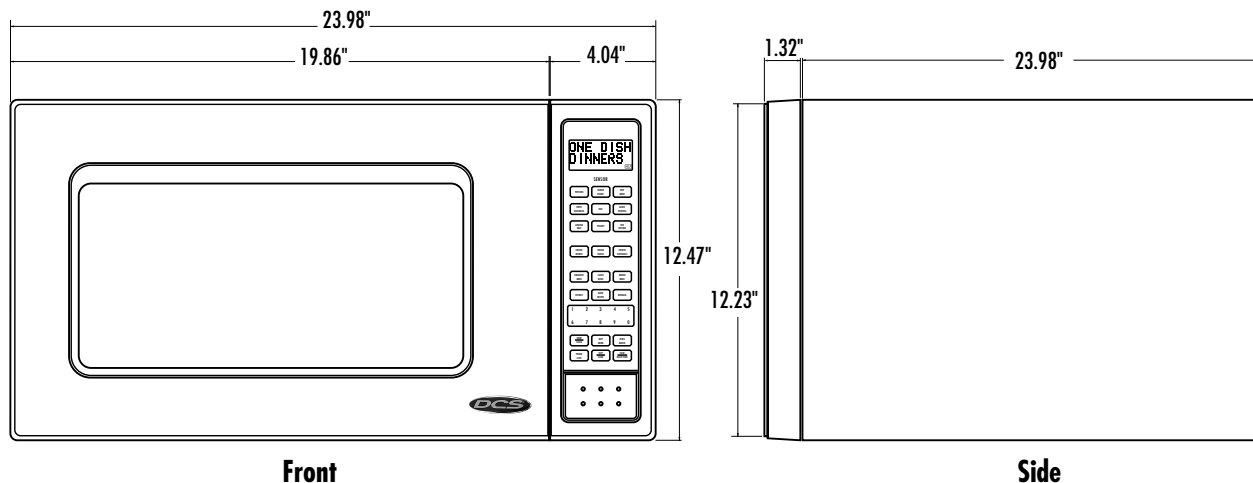
- MO-24SS

Cutout Dimensions:

Height: 16 3/4" to 17"

Width: 24 3/8" to 24 11/16"

Depth: Minimum 20"



Warranty

All DCS Microwave Ovens are covered by a full 1 year warranty. Ten (10) years Limited. DCS will cover: All repair labor and replacement parts, for parts found to be defective due to materials or workmanship. Service must be provided by an Authorized Factory Agent during normal working hours.

DCS is a quality manufacturer of commercial cooking equipment, professional outdoor grills and hot plates, outdoor heating equipment, and professional cooking equipment for home use.



©2001 DCS
5800 Skylab Road, Huntington Beach, CA 92647
For more information, visit our web site at www.dcsappliances.com or ask your dealer.
Tel.: 800-433-8466 714-372-7000
Fax: 714-372-7001