



Put life in **balance** with Maytag® laundry.

Maytag offers an extensive laundry lineup — including more high-efficiency washers than any other brand. Our washers have larger capacities to save you time. So you can get out of the laundry room. And get more out of life.





Laundry

Leading the way in laundry.

How do you do laundry? Is it a daily ritual or a once-a-week event? However you handle your clothes-cleaning chores, Maytag is certain to have a laundry pair that can make the task more efficient, saving time, money and natural resources — and helping your clothing last longer and look better.



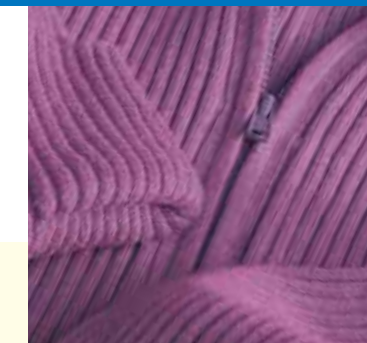
WHICH MODEL IS RIGHT FOR YOUR LAUNDRY ROOM?

Answer these questions to help determine which models and features you need to solve your everyday challenges.

1. How many loads of laundry do you do each week?
2. Do you wash extra-dirty items two or three times to make sure they really get clean?
3. Do you flat-dry or hang-dry special items to make sure they won't shrink?
4. Would you prefer the versatility of a washer/dryer pair that can be configured side-by-side or as a stack?
5. How often do you handwash delicate items?
6. Are you concerned about rising rates for utilities such as water, electricity and gas?

Maytag® Neptune® Front-Load Laundry

Largest Capacity You Can Find In A Front-Load Washer.



STANDARD FEATURES YOU DEPEND ON FROM MAYTAG

WASHER FEATURES

- New Design With Front-Panel Electronic Controls And Time Remaining Indicator
- Exclusive TurboClean Wash System
- Commercial-Quality Stainless Steel Washtub
- Delicates, Hand Washables, Wrinkle Control And Quick Wash Cycles
- Extra Rinse And Warm Rinse Options
- Automatic Temperature Control
- IntelliFill™ Water Level Sensor
- Automatic Detergent, Bleach And Fabric Softener Dispenser

DRYER FEATURES

- New Design With Front-Panel Electronic Controls And Time-Remaining Indicator
- GentleBreeze™ Drying System
- In-Sync Cycles — No Waiting Between Loads
- Wrinkle Release And Air Fluff Cycles; Wrinkle Prevent
- Delicates And Ultra Care/Extra-Low Temperature Settings
- Adjustable Degree of Dryness
- Drum Light
- IntelliDry® Sensor

- Reversible Door With Large Opening
- Drying Rack
- LP Conversion Kit Available (MAL9000AXX)
- Commercial-Quality Stainless Steel Dryer Drum

BUILT-TO-LAST™ FEATURES

- Powder-Coat Finish On Top
- Four-Point Suspension System

Largest Available Capacity* Saves You Time

Our new front-load washers offer the largest capacity available, so you can wash more clothes at once.

* Based on front-load I.E.C. standards.

Saves You Money

High-efficiency wash system saves money in water and energy costs every year.

Keeps Clothes Like New

TurboClean wash system features unique waterfall baffles that scoop and shower water onto laundry to remove tough stains while sparing clothes the wear and tear.



MAH9700 HIGH-EFFICIENCY WASHER

Standard Features Plus:

- XXL Capacity (3.81 Cu. Ft.)
- Direct-Drive Motor
- 1,200-rpm Maximum Spin Speed
- 6 Spin Speeds
- Up To 19-Hour Delay Wash
- AutoTemp™ Internal Water Heater
- 6 Water Temperature Combinations
- Enviro Plus Cycle
- Sanitary Cycle
- Stain Treat Option
- Prewash Cycle, Prewash Dispenser
- Colors Cycle
- Whites Cycle
- Adjustable End-Of-Cycle Chime
- QuietSeries™ 400 Sound Package

Color: White



MAH8700 HIGH-EFFICIENCY WASHER

Standard Features Plus:

- XXL Capacity (3.81 Cu. Ft.)
- 1,100-rpm Maximum Spin Speed
- Up To 12-Hour Delay Wash
- AutoTemp™ Internal Water Heater
- 5 Water Temperature Combinations
- Prewash Cycle
- Colors Cycle
- Extended Spin
- Adjustable End-Of-Cycle Chime
- QuietSeries™ 300 Sound Package

Color: White



MDE/G9700 DRYER

Standard Features Plus:

- XXL Capacity (7.3 Cu. Ft.)
- 5 Temperature Settings
- Damp Dry And Freshen-Up Cycles
- Quick Dry Cycle
- Adjustable End-Of-Cycle Chime
- QuietSeries™ 400 Sound Package

Color: White



MAL1800 MAYTAG® NEPTUNE® 15" PEDESTALS

Single pedestal raises the washer or dryer for easier loading and unloading. Includes drawer for storage. (Available Spring 2005.)

Color: White

Maytag® Neptune® Front-Load Laundry

Outstanding Cleaning Through Stain Removal.

STANDARD FEATURES YOU DEPEND ON FROM MAYTAG

WASHER FEATURES

- Rear-Panel Electronic Controls
- Exclusive TurboClean Wash System
- XL Capacity (3.34 Cu. Ft.)
- Cotton Sturdy, Wrinkle-Free, Delicates, Hand Washables, Stain, Presoak And Quick Cycles
- Last Cycle Recall
- Extra Rinse, MaxExtract™ Spin Cycle And Warm Rinse Options
- 4 Water Temperature Combinations
- Automatic Temperature Control
- Infinite Speed Combinations
- IntelliFill™ Water Level Sensor

- Automatic Detergent, Bleach And Fabric Softener Dispenser
- Time Remaining Indicator

DRYER FEATURES

- Rear-Panel Electronic Controls
- GentleBreeze™ Drying System
- XL Capacity (6.0 Cu. Ft.)
- In-Sync Cycles — No Waiting Between Loads
- Wrinkle Release And Air Fluff Cycles; Wrinkle Prevent And Smart Cool-Down
- Last Cycle Recall
- Sensor Dry, Damp Dry And Time Dry Cycles
- 5 Temperature Settings

- Extra-Low Drying Temperature
- Adjustable Degree Of Dryness
- IntelliDry® Sensor
- Time Remaining Indicator
- Reversible Door With Large Opening

BUILT-TO-LAST™ FEATURES

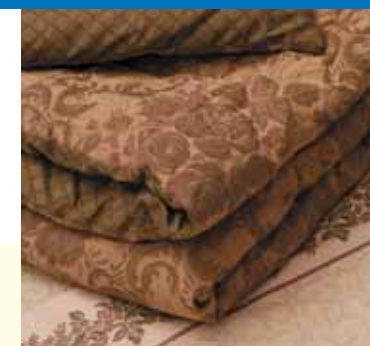
- Maytag® 5-Year Dependable Performance™ Warranty (On Electronic Touchscreen And Touch-Pad Controls)
- Premium Porcelain-Enamel Top
- Lifetime Stainless Steel Wash Basket
- Heavy-Duty Infinite-Speed Motor
- DuraCushion™ Dryer Drum



Saves You Money

High-efficiency wash system saves up to \$150 in water and energy every year.*

* Based on D.O.E. test method compared to a competitive conventional washer, 10 loads per week, average water and sewer rates, 2000 electrical energy rate and dryer savings. Savings will vary depending on utility rates, model replaced and usage.



XL Capacity

No-agitator design allows you to fit more clothes — including big, bulky items — so you do fewer loads. Large door opening and tilted wash basket offer easy access for loading and unloading.



Keeps Clothes Like New

TurboClean wash system features unique waterfall baffles that scoop and shower water onto laundry to remove tough stains while sparing clothes the wear and tear.



MAH7500 HIGH-EFFICIENCY WASHER



Standard Features Plus:

- Trilingual Electronic Touchscreen Controls†
- Up To 12-Hour Delay Wash
- AutoTemp™ Internal Water Heater
- 1,000-rpm Maximum Spin Speed
- Exclusive Maytag® Touchscreen System: StainBrain™ Guide, Favorite Cycles, Laundry Hints And Tips Guide, Before You Call Guide
- QuietSeries™ 300 Sound Package

Colors: White, Bisque

† Experience the world's first washer with touchscreen controls online at www.maytag.com.



MAH6500 HIGH-EFFICIENCY WASHER



Standard Features Plus:

- Easy-To-Use Electronic Touch-Pad Controls
- Up To 9-Hour Delay Wash
- AutoTemp™ Internal Water Heater
- MaxExtract™ Longer Spin Cycle Option
- MaxExtract™ Faster Spin Cycle Option
- 1,000-rpm Maximum Spin Speed
- QuietSeries™ 300 Sound Package

Colors: White, Bisque



MAH5500 HIGH-EFFICIENCY WASHER



Standard Features Plus:

- Easy-To-Use Electronic Touch-Pad Controls
- Up To 9-Hour Delay Wash
- Adjustable End Of Cycle Signal
- QuietSeries™ 300 Sound Package

Colors: White, Bisque



MDE/G7500 DRYER

Standard Features Plus:

- Trilingual Electronic Touchscreen Controls
- Exclusive Maytag® Touchscreen System: Favorite Cycles, Laundry Hints And Tips Guide, Before You Call Guide
- Moisture Monitor
- Remind And Damp Dry Chimes
- Dryel® Cycle
- Freshen-Up Cycle
- Control Panel Lockout
- Drying Rack
- QuietSeries™ 300 Sound Package

Colors: White, Bisque

Dryel® is a registered trademark of Procter & Gamble.



MDE/G5500 DRYER

Standard Features Plus:

- Easy-To-Use Electronic Touch-Pad Controls
- Adjustable End Of Cycle Signal
- QuietSeries™ 300 Sound Package

Colors: White, Bisque



ALSO AVAILABLE MLE/G2000 MAYTAG® NEPTUNE® SUPER STACK™ PAIR

A full-size Maytag® Neptune® washer and dryer pair in half the floor space.

Color: White

MAL2000 MAYTAG® NEPTUNE® PEDESTAL

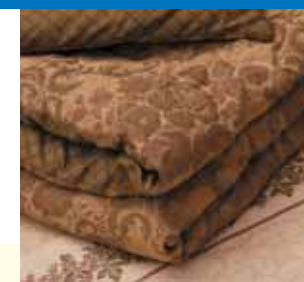
Raises the washer and dryer pair to make loading and unloading easier.

Colors: White, Bisque

For additional feature information, see specification charts on pages 90, 91 and 92.

Maytag® Neptune® Top-Load Laundry

The Best-Cleaning Top-Load Washer.*



STANDARD FEATURES YOU DEPEND ON FROM MAYTAG

EXCLUSIVE DESIGN

WASHER FEATURES

- Exclusive TumbleClean™ Wash System
- Rear-Panel Electronic Controls
- XL Capacity (3.5 Cu. Ft.)
- Showering Dispenser System
- Automatic Detergent, Bleach And Fabric Softener Dispenser
- Delicates, Hand Washables, Wrinkle Control And Quick Wash Cycles
- Extra Rinse, MaxExtract™ Spin Cycle And Warm Rinse Options
- Automatic Temperature Control
- Infinite Speed Combinations

- IntelliFill™ Water Level Sensor
- Time Remaining Indicator

DRYER FEATURES

- Rear-Panel Electronic Controls
- GentleBreeze™ Drying System
- XL Capacity (6.0 Cu. Ft.)
- In-Sync Cycles — No Waiting Between Loads
- Wrinkle Release And Air Fluff Cycles; Wrinkle Prevent And Smart Cool-Down
- 5 Temperature Settings
- Extra-Low Drying Temperature
- Adjustable Degree Of Dryness

- Drum Light
- IntelliDry® Sensor
- Time Remaining Indicator
- Reversible Door With Large Opening

BUILT-TO-LAST™ FEATURES

- Maytag® 5-Year Dependable Performance™ Warranty On Electronic Touchscreen And Touch-Pad Controls
- Premium Porcelain-Enamel Top And Lid
- Lifetime Stainless Steel Wash Basket
- Heavy-Duty Infinite-Speed Wash Motor
- DuraCushion™ Dryer Drum

Best-Cleaning Top-Load Washer*

As the tub spins, the one-of-a-kind showering dispenser system disperses detergent mixture throughout the load for better cleaning.* Bleach and fabric softener are automatically released for better results.

More Capacity Than Any Other Top-Load Washer With An Agitator

With no agitator, there's extra space in the washtub to fit big, bulky items like bedspreads.

Saves You Money

High-efficiency wash system saves up to \$165 in water and energy every year.**

**Based on D.O.E. test method compared to a competitive conventional washer, 10 loads per week, average water and sewer rates, 2000 electrical energy rate and dryer savings. Savings will vary depending on utility rates, model replaced and usage.

Gentle Fabric Care

With the TumbleClean™ wash system, your clothes are spared wear and tear. Instead of an agitator, two tumblers gently lift and submerge clothes through a pool of detergent and water.



Awarded to Model FAV9800.



FAV9800 HIGH-EFFICIENCY WASHER

Standard Features Plus:

- Trilingual Electronic Touchscreen Controls
- Exclusive Maytag® Touchscreen System: Cycle Library™, StainBrain™ Guide, Favorite Cycles, Laundry Hints And Tips Guide, Before You Call Guide
- 24 Cycles
- Up To 12-Hour Delay Wash
- AutoTemp™ Internal Water Heater
- 1,000-rpm Maximum Spin Speed
- 8 Water Temperature Combinations
- QuietSeries™ 400 Sound Package

Colors: White, Bisque



FAV6800 HIGH-EFFICIENCY WASHER

Standard Features Plus:

- Easy-To-Use Electronic Touch-Pad Controls
- 11 Cycles
- Up To 9-Hour Delay Wash
- 850-rpm Maximum Spin Speed
- 5 Water Temperature Combinations
- QuietSeries™ 300 Sound Package

Colors: White, Bisque



MDE/G9800 DRYER

Standard Features Plus:

- Trilingual Electronic Touchscreen Controls
- Exclusive Maytag® Touchscreen System: Favorite Cycles, Laundry Hints And Tips Guide, Before You Call Guide
- Remind And Damp Dry Chimes
- Freshen-Up Cycle
- Drying Rack
- QuietSeries™ 400 Sound Package

Colors: White, Bisque



MDE/G6800 DRYER

Standard Features Plus:

- Electronic Touch-Pad Controls
- Adjustable End-Of-Cycle Signal
- QuietSeries™ 300 Sound Package

Colors: White, Bisque

*Among leading brands of top-load washers, normal wash cycle, maximum wash time.

For additional feature information, see specification charts on pages 90 and 92.

Maytag® Neptune® Drying Center

Now You Can Say Goodbye To Your Drying Worries.

STANDARD FEATURES YOU DEPEND ON FROM MAYTAG

EXCLUSIVE DESIGN

UPPER DRYING CABINET FEATURES

- Easy-To-Use Electronic Touch-Pad Controls
- BreezeCare™ Drying System
- Special Cycles To Dry And Refresh Clothes
- Remove Odor, Add Fragrance And Wrinkle Release Options
- Low And Extra-Low Temperatures
- Holds Up To 9 Hanging Items
- 5 Removable Mesh Shelves For Flat-Drying

ShapeSaver™ Hangers

- 4 Accessory Door Hooks
- Dryer Sheet Caddy
- Time Remaining Indicator
- Cycle Status Indicator

TUMBLE DRYER FEATURES

- Easy-To-Use Electronic Touch-Pad Controls
- GentleBreeze™ Drying System
- XXL Capacity (7.0 Cu. Ft.)

Sensor Dry, Time Dry, Air Fluff And Wrinkle Release Cycles

- 4 Temperature Settings
- Adjustable Degree Of Dryness
- IntelliDry® Sensor
- Reversible Door
- Time Remaining Indicator
- Cycle Status Indicator
- QuietSeries™ 400 Sound Package



Two-In-One Dryer Does It All

You get a tumble dryer as well as the upper drying cabinet, featuring a revolutionary gentle drying system that saves time, prevents shrinkage and removes odors.

Three Times Larger Capacity

The Maytag® Neptune® Drying Center offers a capacity that is three times larger than a traditional dryer.

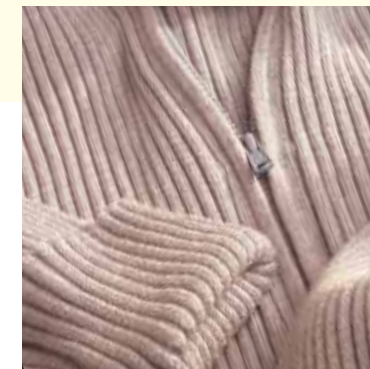
Dries Clothes Up To Six Times Faster

The upper drying cabinet safely flat- and hang-dries clothes in a few hours — not days.



Saves Up To \$250 Each Year In Dry Cleaning

Savings are based on an average dry cleaning cost to refresh at \$6 per item, four items per month.



Prevents Shrinkage

Helps eliminate the unavoidable shrinkage that results from tumble-drying.



Removes Odors

Steam and optimum temperatures grab odors, while gentle airflow removes them. Use a dryer sheet to add fragrance.

MCE/G8000



74"
(188 cm)

33 1/2"
(85.1 cm)

MCE/G8000

DRYING CENTER FEATURES

- Largest Capacity — 24.3 Cu. Ft. Capacity Offers Three Times More Total Drying Space
- Two-In-One Dryer

BUILT-TO-LAST™ FEATURES

- Maytag® 5-Year Dependable Performance™ Warranty On LED Touch-Pad Controls
- DuraCushion™ Dryer Drum
- Seamless, One-Piece Upper Cabinet Liner



For additional feature information, see specifications chart on page 93.

Maytag® Compact Front-Load Laundry

Compact In Size — Not Capacity.



STANDARD FEATURES YOU DEPEND ON FROM MAYTAG

WASHER FEATURES

- Front-Panel Electronic Controls
- TurboClean Wash System
- Large Capacity (2.4 Cu. Ft.)
- 22 Cycles
- Wrinkle Control, Delicates, Hand Washables And Quick Cycles
- Extra Rinse, Rinse Only And Rinse & Spin Options
- 1,200-rpm Spin Speed
- 5 Water Temperature Combinations

- Automatic Temperature Control
- IntelliFill™ Water Level Sensor
- Automatic Detergent, Bleach And Fabric Softener Dispenser
- Up To 19-Hour Delay Wash
- QuietSeries™ 300 Sound Package

DRYER FEATURES

- Front-Panel Electronic Controls
- GentleBreeze™ Drying System
- Large Capacity

- AutoDry Dryness Sensor
- Wrinkle Release And Air Fluff Cycles; Wrinkle Prevent And Cool-Down
- Damp Dry And Time Dry Cycles
- Reversible Door
- Stacking Kit Available (MAL2424AXX)
- QuietSeries™ 300 Sound Package

BUILT-TO-LAST™ FEATURES

- Lifetime Stainless Steel Wash Basket
- Stainless Steel Dryer Drum

Flexible Under-Counter Or Stacked Installation

Measuring just 23½" wide, 24" deep and 33¼" high*, the new Maytag® compact front-load washer and dryer fit in tight spaces to take up even less of your precious floor space.

*With 7/8" adjustable leveling legs. Actual dryer depth: 23¾". Control panel adds 2" to washer depth.

Compact In Size — Not Capacity

They save space on the outside, but inside, the compact front-load washer and dryer can easily handle your everyday-sized loads — they each hold up to 16 bath towels.

Saves You Money

High-efficiency wash system saves up to \$145 in water and energy every year.**

**Based on D.O.E. test method compared to a competitive conventional washer, 10 loads per week, average water and sewer rates, 2000 electrical energy rate and dryer savings. Savings will vary depending on utility rates, model replaced and usage.

Keeps Clothes Like New

TurboClean wash system features unique waterfall baffles that scoop and shower water onto laundry to remove tough stains while sparing clothes the wear and tear.



STAINLESS WASH BASKET

MAH2400 HIGH-EFFICIENCY WASHER

Color: White



STAINLESS DRYER DRUM

MDE2400 DRYER

Color: White



Flexible Configuration†



†Requires stacking kit MAL2424AXX.

Maytag® Atlantis® Laundry

Outstanding Cleaning You Can Depend On For Years.



STANDARD FEATURES YOU DEPEND ON FROM MAYTAG

WASHER FEATURES

- HydroClean™ Wash Action
- XL Capacity (3.2 Cu. Ft.)
- Exclusive TurboRinse™ System
- Regular/Whites, Permanent Press, Delicates And Handwash Cycles
- Extra Rinse Option
- Automatic Fabric Softener Dispenser
- Bleach Dispenser
- Exclusive Easy-Access Sloped Front With Extra-Large Lid

DRYER FEATURES

- GentleBreeze™ Drying System
- XL Capacity
- Adjustable Degree Of Dryness
- Permanent Press Cycle
- Wrinkle Release
- Time Dry, Air Fluff And Damp Dry Cycles
- Delicate Temperature Setting
- Exclusive Easy-Access Sloped Front With Extra-Large Reversible Door

BUILT-TO-LAST™ FEATURES

- Heavy-Duty Lifetime Tub™ Warranty
- Premium Porcelain-Enamel Top And Lid
- DuraCushion™ Dryer Drum
- Heat-Resistant Air Seals

Built To Last For Years

Depend on commercial-quality parts and features to keep your Maytag® washer and dryer working for years.

† Ask for details.

XL Capacity

3.2 cu. ft. capacity allows you to wash more clothes in a single load — including bulky towels — to save time.

HydroClean™ Wash System With Exclusive TurboRinse™ System

Unique wash action features a specially designed agitator and three-way residue removal TurboRinse™ system for outstanding cleaning.



MAV9750 WASHER



Standard Features Plus:

- 301 Premium-Grade Stainless Steel Washtub
- HydroFlex™ Plus Agitator
- CorrecTemp™ Control Option
- Infinite Water Levels
- 7 Temperature Combinations
- Prewash And Presoak Options

- Soak Only, Quick Wash, Cottons/Colors And Sweaters Cycles
- Extended Spin Option
- Spot-Treat With Finger Faucet
- Quiet Plus II Sound Package

Colors: White, Bisque



MAV8551 WASHER

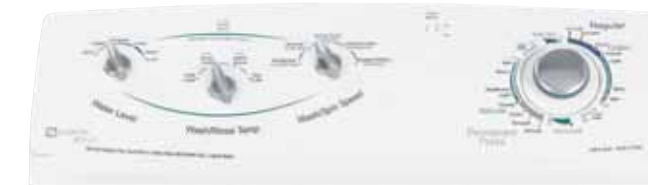


Standard Features Plus:

- 301 Premium-Grade Stainless Steel Washtub
- HydroFlex™ Plus Agitator
- CorrecTemp™ Control Option
- Infinite Water Levels
- 7 Temperature Combinations

- Prewash Option
- Soak Only, Quick Wash And Cottons/Colors Cycles
- Quiet Plus II Sound Package

Colors: White, Bisque



SAVE \$70 PER YEAR* MAV7504E WASHER

Standard Features Plus:

- HydroFlex™ Plus Agitator
- CorrecTemp™ Control
- 5 Water Levels
- 4 Temperature Combinations
- Prewash And Presoak Options

- Soak Only, Quick Wash And Cottons/Colors Cycles
- Quiet Plus II Sound Package

Color: White



MDE/G8400 DRYER

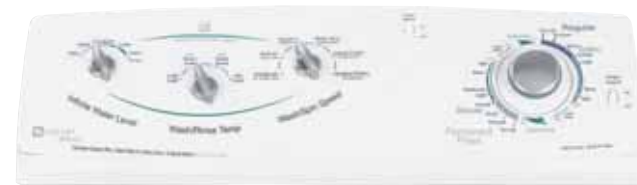
Standard Features Plus:

- IntelliDry® Sensor
- Infinite Temperature Settings
- Extended Tumble
- Dryel® Cycle

- Easy-Storage Drying Rack
- Ultra Care Temperature Setting
- Quiet Plus Sound Package

Colors: White, Bisque

Dryel® is a registered trademark of Procter & Gamble.



SAVE \$70 PER YEAR* MAV9504E WASHER



Standard Features Plus:

- 301 Premium-Grade Stainless Steel Washtub
- HydroFlex™ Plus Agitator
- CorrecTemp™ Control
- Infinite Water Levels
- 4 Temperature Combinations
- Prewash And Presoak Options

- Soak Only, Quick Wash, Cottons/Colors And Sweaters Cycles
- Spot-Treat With Finger Faucet
- Quiet Plus III Sound Package

Colors: White, Bisque



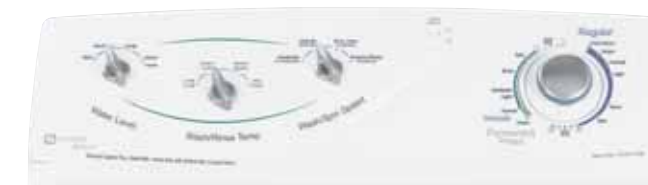
MAV7551 WASHER

Standard Features Plus:

- HydroFlex™ Plus Agitator
- CorrecTemp™ Control
- 5 Water Levels
- 5 Temperature Combinations
- Prewash Option

- Soak Only, Quick Wash And Cottons/Colors Cycles
- Quiet Plus Sound Package

Colors: White, Bisque



MAV6451 WASHER

Standard Features Plus:

- HydroFlex™ Agitator
- 4 Water Levels

- 4 Temperature Combinations
- Quiet Pack Sound Package

Colors: White, Bisque



MDE/G7400 DRYER

Standard Features Plus:

- IntelliDry® Sensor
- 4 Temperature Settings

- Quiet Pack Sound Package

Colors: White, Bisque



MDE/G6400 DRYER

Standard Features Plus:

- Automatic Dryness Sensor
- 4 Temperature Settings

- Quiet Pack Sound Package

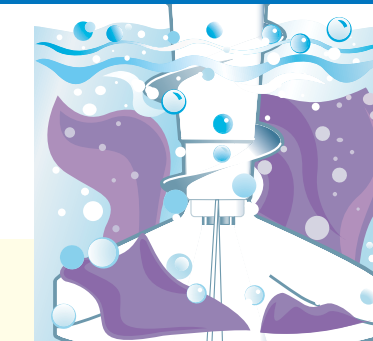
Colors: White, Bisque

*Compared to an average conventional washer. Based on D.O.E. test method with average conventional washer, 10 loads per week, average water and sewer rates and 2000 electrical energy rate. Savings will vary depending on utility rates, model replaced and usage.

For additional feature information, see specification charts on pages 94 and 95.

Maytag® Laundry

Outstanding Cleaning You Can Depend On For Years.



STANDARD FEATURES YOU DEPEND ON FROM MAYTAG

WASHER FEATURES

- DependableClean™ Wash System
- XL Capacity (3.3 Cu. Ft.)
- Regular, Wrinkle-Free Fabrics And Delicates Cycles
- Extended Spin
- Bleach And Fabric Softener Dispensers
- Extra-Large Lid Opening
- SturdySpin™ Suspension System

DRYER FEATURES

- GentleBreeze™ Drying System
- XXL Capacity (7.1 Cu. Ft.)
- Time Dry, Wrinkle-Free Fabrics And Air Fluff Cycles
- Delicate Temperature Setting
- Extra-Large Reversible Door

BUILT-TO-LAST™ FEATURES

- Heavy-Duty Lifetime Tub™ Warranty
- Powder-Coat Finish On Top And Lid
- DuraCushion™ Dryer Drum

Built To Last For Years

Depend on commercial-quality parts and features to keep your Maytag® washer and dryer working for years.

† Ask for details.

XL Capacity

3.3 cu. ft. capacity allows you to wash more clothes in a single load — including bulky towels — to save time.

DependableClean™ Wash System

Special agitator and four-part wash system washes away dirt and removes residue.



SAV5910E WASHER

Standard Features Plus:

- Premium-Grade Stainless Steel Washtub
- HydroFlex™ Agitator

- 6 Temperature Combinations
- 25 Cycles
- Quiet Plus Sound Package

Color: White



SAV3655 WASHER

Standard Features Plus:

- FlexCare™ Agitator
- 4 Water Levels
- 4 Temperature Combinations

- 22 Cycles
- Quiet Pack Sound Package

Color: White



SDE/G4606 DRYER

Standard Features Plus:

- IntelliDry® Sensor
- Variable Temperature Settings
- Ultra Care Temperature Setting
- 12 Cycles

- Damp Dry Cycle
- Wrinkle Release
- Extended Tumble Option
- Quiet Plus Sound Package

Color: White



SDE/G2606 DRYER

Standard Features Plus:

- Automatic Dryness Sensor
- 3 Temperature Settings
- 7 Cycles

Color: White



SAV5710 WASHER

Standard Features Plus:

- Premium-Grade Stainless Steel Washtub
- HydroFlex™ Agitator

- 4 Temperature Combinations
- 25 Cycles
- Quiet Plus Sound Package

Color: White



SAV2655 WASHER

Standard Features Plus:

- FlexCare™ Agitator
- 4 Water Levels
- 4 Temperature Combinations

- 13 Cycles
- Quiet Pack Sound Package

Color: White



SDE/G3606 DRYER

Standard Features Plus:

- Automatic Dryness Sensor
- 4 Temperature Settings
- 12 Cycles
- Damp Dry Cycle
- Wrinkle Release

- Extended Tumble Option
- Quiet Plus Sound Package

Colors: White, Bisque

ALSO AVAILABLE LSE/G7806 MAYTAG® STACKED WASHER AND DRYER

A full-size washer and dryer pair in half the floor space.

Features:

- DependableClean™ Wash System
- Bleach And Fabric Softener Dispensers
- GentleBreeze™ Drying System
- Large Capacity

Colors: White, Bisque



SAV4655E WASHER

Standard Features Plus:

- FlexCare™ Agitator
- 4 Temperature Combinations

- 25 Cycles
- Quiet Plus Sound Package

Colors: White, Bisque



SAV2555 WASHER

Standard Features Plus:

- FlexCare™ Agitator
- 4 Water Levels
- 4 Temperature Combinations

- 10 Cycles
- Quiet Pack Sound Package

Color: White

For additional feature information, see specification charts on pages 94 and 95.

Maytag™ Cordless Irons

Go Cordless, And Nothing Gets In Your Way!



STANDARD FEATURES YOU DEPEND ON FROM MAYTAG

- 1,440 Watts — Iron Heats Up Quickly And Stays Hot
- Docking Cradle With Auto-Retractable Cord
- Heat-Resistant Therma-Dome™ Storage Case
- Removable QuickFill™ Transparent Water Reservoir
- Cuff Press
- Powerful Burst Of Steam
- Cool Misting Spray
- Automatic Shutoff
- Comfort No-Slip Handle
- Self-Cleaning And Anti-Drip

Cordless Convenience

With the Maytag™ Cordless Iron, only the docking cradle is plugged in. Nonslip ergonomic handle is designed for left- or right-handed ironing.

Packed With Power

Fully heats in just two minutes and re-energizes in the docking cradle to maintain temperature. 1,440 watts of power deliver high performance and the best steam output for easier, more effective ironing.

Performance That Shows

Cuff press gets into hard-to-reach cuffs and collars. And model MLI7500 features a nonstick titanium soleplate — virtually nothing will stick to it.



MLI7500

Standard Features Plus:

- Ultrasmooth™ Titanium Soleplate
- AccuTemp™ Electronic Temperature Control



MLI7000

Standard Features Plus:

- Tempraglide™ Stainless Steel Soleplate
- Adjusti-Temp™ Dial Temperature Control



Easy To Use

The removable QuickFill™ transparent water reservoir makes refilling fast and easy. Plus, the Maytag™ Cordless Iron is self-cleaning and anti-drip, and it safely shuts off if left unattended.

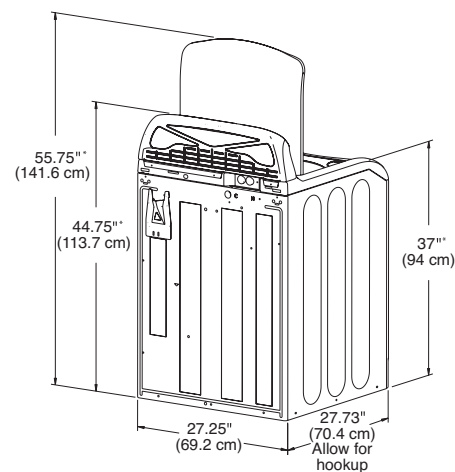


Therma-Dome™ Storage Case

The heat-resistant Therma-Dome™ storage case is the ultimate in convenience — you can put the iron away hot and forget about it.

Models	Maytag® Neptune® Top-Load Washers		Maytag® Neptune® Front-Load Washers					Maytag® Neptune® Super Stack™ Washer
	FAV9800	FAV6800	MAH9700	MAH8700	MAH7500	MAH6500	MAH5500	MLE/G2000
FEATURES								
ENERGY STAR®-Qualified	★	★	★	★	★	★	★	★
Capacity — cu. ft.	3.5	3.5	3.81	3.81	3.34	3.34	3.34	3.34
Controls	LCD	LED	LED	LED	LCD	LED	LED	Push-Button
Control Location	Rear-Panel	Rear-Panel	Front-Panel	Front-Panel	Rear-Panel	Rear-Panel	Rear-Panel	Front-Panel
Stainless Steel Washtub	■	■	■	■	■	■	■	■
Motor Speed	Infinite	Infinite	Infinite	Infinite	Infinite	Infinite	Infinite	Infinite
Speed Combinations	Infinite	Infinite	Infinite	Infinite	Infinite	Infinite	Infinite	Infinite
TumbleClean™ Wash System	■	■	■	■	■	■	■	■
TurboClean Wash System	■	■	■	■	■	■	■	■
MaxExtract™ Spin Option — RPM	1,000	850	1,200	1,100	1,000	1,000	800	■
IntelliFill™ Water Level Sensor	■	■	■	■	■	■	■	■
Water Temp. Combinations	8	5	6	5	8	8	4	4
AutoTemp™ Internal Water Heater	■	■	■	■	■	■	■	■
Automatic Temp. Control/CorrecTemp™ Control	■	■	■	■	■	■	■	■
Warm Rinse Option	■	■	■	■	■	■	■	■
Extra Rinse Option	■	■	■	■	■	■	■	■
Delay Wash Option	12-Hour	9-Hour	19-Hour	12-Hour	12-Hour	9-Hour	9-Hour	■
Favorite Cycles	■	■	■	■	■	■	■	■
Cycle Library™	■	■	■	■	■	■	■	■
StainBrain™ Guide	■	■	■	■	■	■	■	■
Delicates Cycle	■	■	■	■	■	■	■	■
Hand Washables Cycle	■	■	■	■	■	■	■	■
Presoak/Pretreat Cycle	■	■	Pre-wash	Pre-wash	■	■	■	■
Wrinkle Control/Wrinkle-Free Cycle	■	■	■	■	■	■	■	■
Colors Cycle	■	■	■	■	■	■	■	■
Enviro Plus Cycle	■	■	■	■	■	■	■	■
Stain Treat Option	■	■	■	■	■	■	■	■
Sanitary Cycle	■	■	■	■	■	■	■	■
Bleach Dispenser	■	■	■	■	■	■	■	■
Fabric Softener Dispenser	■	■	■	■	■	■	■	■
Auto Detergent Dispenser	■	■	■	■	■	■	■	■
End-Of-Cycle Signal	Adjustable	Adjustable	Adjustable	Adjustable	Adjustable	Adjustable	Adjustable	■
Trilingual Touchscreen	■	■	■	■	■	■	■	■
Quick Setting/Quick Wash	■	■	■	■	■	■	■	■
Time Remaining Indicator	■	■	■	■	■	■	■	■
Easy Access	■	■	■	■	■	■	■	■
QuietSeries™ Sound Package	400	300	400	300	300	300	300	300
Self-Cleaning Lint Removal	System	System	System	System	System	System	System	System
Color Availability:								
White	■	■	■	■	■	■	■	■
Bisque	■	■	■	■	■	■	■	■

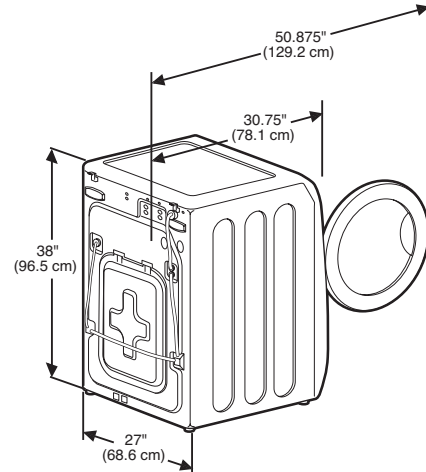
MAYTAG® NEPTUNE® TOP-LOAD WASHERS (FAV9800, FAV6800)



MAYTAG® NEPTUNE® TOP-LOAD WASHERS

MOTOR: 1/2 HP, 120-volt, 60 Hz, variable-speed, controlled-induction motor.
HOSE LENGTH: Inlet: 4 feet (1.22 m); drain: 4 feet (1.22 m).
INSTALLATION REQUIREMENTS: Hot and cold water connections with water pressure within 30 – 120 p.s.i. (207 – 827 KPa) range; 120°F to 140°F hot water; a drain; a 120-volt, 60 Hz electrical outlet properly grounded and protected by a 15-amp fuse. Individual branch circuit serving only the washer is recommended.
WEIGHTS (Crated/Uncrated): 182 lbs. (82.6 kg)/168 lbs. (76.2 kg).
 *Dimensions include fully extended legs. Legs can be lowered 0.82" (2.1 cm).

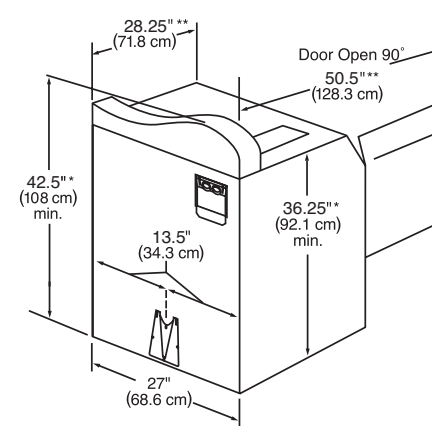
MAYTAG® NEPTUNE® FRONT-LOAD WASHERS (MAH9700, MAH8700)



MAYTAG® NEPTUNE® FRONT-LOAD WASHERS

MOTOR: MAH9700 – .92HP, 120-volt, 60 Hz, variable-speed, direct drive motor. MAH8700 – 1/2 HP, 120-volt, 60 Hz, variable-speed, controlled induction motor.
HOSE LENGTH: Inlet: 4 feet (1.22 m); drain: 4 feet (1.22 m).
INSTALLATION REQUIREMENTS: Hot and cold water connections with water pressure within 30 – 120 p.s.i. (207 – 827 KPa) range; 120°F to 140°F hot water; a drain; a 120-volt, 60 Hz electrical outlet properly grounded and protected by a 15-amp fuse. Individual branch circuit serving only the washer is recommended.
WEIGHTS (Crated/Uncrated): MAH9700 – 207 lbs. (93.9 kg)/197 lbs. (89.4 kg). MAH8700 – 192 lbs. (87.1 kg)/182 lbs. (82.6 kg).
 *Dimensions include fully extended legs. Legs can be lowered 0.82" (2.1 cm).

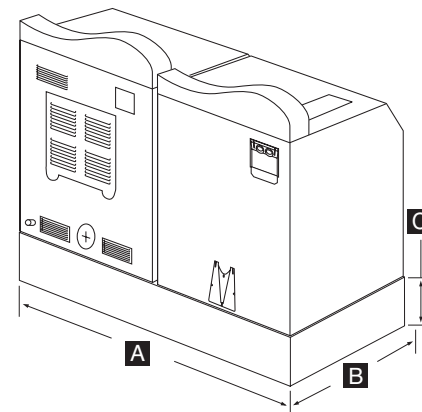
MAYTAG® NEPTUNE® FRONT-LOAD WASHERS (MAH7500, MAH6500, MAH5500)



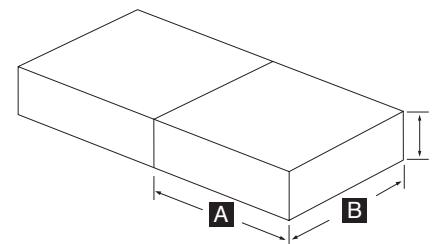
MAYTAG® NEPTUNE® FRONT-LOAD WASHERS

MOTOR: 170-volt, DC, 60 Hz, 3-phase, reversible.
HOSE LENGTH: Inlet: 4 feet (1.22 m); drain: 4 feet (1.22 m).
INSTALLATION REQUIREMENTS: Hot and cold water connections with water pressure within 30 – 120 p.s.i. (207 – 827 KPa) range; 120°F to 140°F hot water; a drain; a 120-volt, 60 Hz electrical outlet properly grounded and protected by a 15-amp fuse.
WEIGHTS (Crated/Uncrated): 200 lbs. (91 kg)/180 lbs. (82 kg).
 * Dimensions will vary according to adjustment of leveling legs.
 ** Includes 3/4" (1.9 cm) for hinge on back of washer.

MAYTAG® NEPTUNE® PEDESTAL MAL2000AXW/MAL2000AXQ



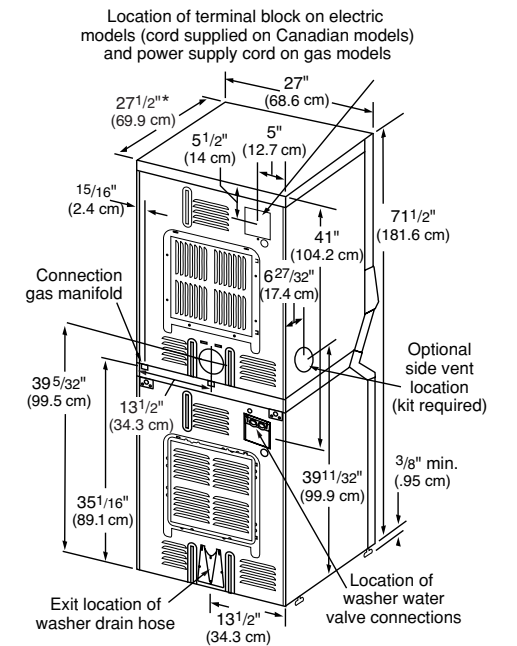
MAYTAG® NEPTUNE® PEDESTAL MAL1800AXW



	MAL1800AXW	MAL2000AXW/MAL2000AXQ
For Models	MAH9700, MAH8700 MDE/G9700	MAH7500, MAH6500 MAH5500
A – in. (cm.)	27 (68.6)	55 (139.7)
B – in. (cm.)	28.5 (72.4)	28 (71.1)
C – in. (cm.)	14.5 – 15.5 (36.8 – 39.4)	8.5 – 9.5 (21.6 – 24.1)
Weight (Uncrated)	46.5 lbs. (21.1 Kg.)	62 lbs. (28 Kg.)

MATERIALS: 12-gauge steel; epoxy powder-coated finish.

MAYTAG® NEPTUNE® SUPER STACK™ WASHER AND DRYER



*Depth including timer knobs is 29" (73.7 cm).

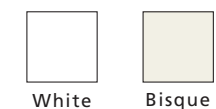
NEPTUNE® SUPER STACK™ WASHER

MOTOR: 3-phase, reversible, high-efficiency, switched-reluctance motor.
ELECTRICAL REQUIREMENT: 120-volt, 60 Hz (supplied through dryer cord).
WATER PRESSURE: 20 – 120 p.s.i. (138 – 827 KPa).
REQUIRED HOT WATER TEMPS: 120°F – 140°F.
HOSE LENGTHS: Inlet: 4 feet (1.22 m). Drain: 4 feet (1.22 m).
LEVELING LEGS: Adjustable, to level unit for proper installation.

NEPTUNE® SUPER STACK™ DRYER

MOTOR: 1/2 HP, 120-volt, 60 Hz, single-phase, thermoprotected against overload, auto-reset.
AIRFLOW: 220 cubic feet (6.2 cu. m) per minute.
EXHAUST: Use a minimum of 4" (10.2 cm) diameter rigid aluminum or galvanized-steel duct. Never use plastic, nonmetal or combustible duct.
HEATING ELEMENT (MLE Model): Nichrome helix coil.
ELECTRICAL RATING (MLE Model): 240-volt, AC, 60 Hz, draws approximately 5,900 watts overall.
FUSE REQUIREMENTS: MLE Model: 30-amp. MLG Model: 15-amp.
SINGLE-PORT BURNER (MLG Model): Automatic electric burner with automatic ignition.
GAS RATING (MLG Model): 22,000 BTU/hr. for the drying chamber.
AUTOMATIC PRESSURE REGULATOR (MLG Model): Self-adjusting valve automatically compensates for variations in gas pressure.
LEVELING LEGS: Adjustable, to level unit for proper installation.
WEIGHTS (Entire Unit Crated/Uncrated): 356 lbs. (161.5 kg)/326 lbs. (147.9 kg).

Exterior Color Options



Models FAV9800, FAV6800, MAH9700, MAH8700, MAH7500, MAH6500, MAH5500 and MLE/G2000

Maytag® Neptune® Dryers

Models	Maytag® Neptune® Top-Load Matching Dryers		Maytag® Neptune® Front-Load Matching Dryers			Maytag® Neptune® Super Stack™ Dryer
	MDE/G9800	MDE/G6800	MDE/G9700	MDE/G7500	MDE/G5500	MLE/G2000
FEATURES						
Capacity — cu. ft.	6.0	6.0	7.3	6.0	6.0	6.0
Controls	LCD	LED	LED	LCD	LED	Push-Button
Control Location	Rear-Panel	Rear-Panel	Front-Panel	Rear-Panel	Rear-Panel	Front-Panel
GentleBreeze™ Drying System	■	■	■	■	■	■
IntelliDry® Sensor	■	■	■	■	■	■
Adjustable Degree Of Dryness	■	■	■	■	■	■
Temperature Settings	5	5	5	5	5	4
Time Dry Cycle	■	■	■	■	■	■
Air Fluff Cycle	■	■	■	■	■	■
Damp Dry Cycle	■	■	■	■	■	■
Wrinkle Prevent	On/Off	On/Off	On/Off	On/Off	On/Off	■
Wrinkle Release	■	■	■	■	■	■
Permanent Press/Wrinkle-Free	■	■	■	■	■	■
Delicate Temperature	■	■	■	■	■	■
Ultra Care/Extra-Low Temperature	■	■	■	■	■	■
End-Of-Cycle Signal	Adjustable	Adjustable	Adjustable	Adjustable	Adjustable	■
Time Remaining Indicator	■	■	■	■	■	■
Drum Light	■	■	■	■	■	■
Favorite Cycles	■	■	■	■	■	■
Dryel® Cycle	■	■	■	■	■	■
Quick Dry Cycle	■	■	■	■	■	■
Remind Chime	■	■	■	■	■	■
Damp Dry Chime	■	■	■	■	■	■
Freshen-Up Cycle	■	■	■	■	■	■
Smart Cool-Down	■	■	■	■	■	■
Trilingual Touchscreen	■	■	■	■	■	■
Control Panel Lockout	■	■	■	■	■	■
Reversible Door	■	■	■	■	■	■
Extra-Large Door Opening	■	■	■	■	■	■
DuraCushion™ Dryer Drum	■	■	■	■	■	■
Stainless Steel Dryer Drum	■	■	■	■	■	■
High-Capacity Blower	■	■	■	■	■	■
Four-Point Suspension System	■	■	■	■	■	■
Electronic Ignition W/Safety Shut-Off Valve (Gas Only)	■	■	■	■	■	■
LP Kit	MAL9000AXX	MAL9000AXX	MAL9000AXX	MAL9000AXX	MAL9000AXX	
Drying Rack	MAL1100AXX†	MAL1100AXX	MAL1300AXX	MAL1100AXX†	MAL1100AXX	
QuietSeries™ Sound Package	400	300	400	300	300	300
Color Availability:						
White	■	■	■	■	■	■
Bisque	■	■	■	■	■	■

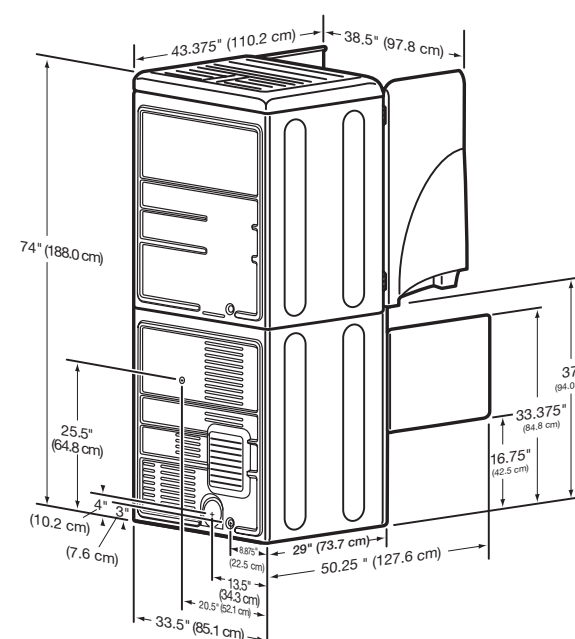
†Drying rack included.
Dryel® is a registered trademark of Procter & Gamble.

Maytag® Neptune® Drying Center

Model	MCE/G8000
UPPER DRYING CABINET FEATURES	
Capacity — cu. ft.	17.3
Controls	LED
BreezeCare™ Drying System	■
Dry Clothes Cycle	■
Refresh Cycle	■
Low Temperature	■
Extra-Low Temperature	■
Wrinkle Release Option	■
Remove Odor Option	■
Add Fragrance Option	■
Time Remaining Indicator	■
Cycle Status Indicator	■
Adjustable Time	■
WrinkleRelease™ Rod	■
Removable Mesh Shelves	5
ShapeSaver™ Hangers	3†
Accessory Door Hooks	4
Dryer Sheet Caddy	■
Water Bottle	■
Interior Cabinet Light	■
Shelf Storage Hanger	■
End-Of-Cycle Signal	Adjustable
TUMBLE DRYER FEATURES	
Capacity — cu. ft.	7.0
Controls	LED
GentleBreeze™ Drying System	■
IntelliDry® Sensor	■
Temperature Settings	4
Sensor Dry Cycle	■
Time Dry Cycle	■
Air Fluff Cycle	■
Wrinkle Release Cycle	■
Wrinkle Prevent Option	■
Damp Dry Signal	■
Time Remaining Indicator	■
Cycle Status Indicator	■
End-Of-Cycle Signal	Adjustable
Reversible Door	■
High-Capacity Blower	■
Drum Light	■
DuraCushion™ Dryer Drum	■
Electric Dryer Venting Directions	2
Gas Dryer Venting Directions	2
QuietSeries™ Sound Package	400

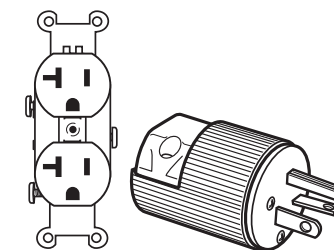
Available in White or Bisque.
†Accessory kit model MAL3000AXX also available.

MAYTAG® NEPTUNE® DRYING CENTER

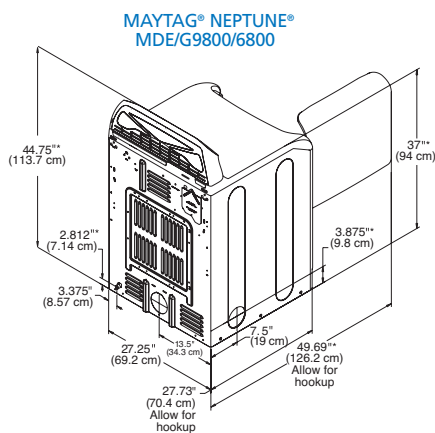


MAYTAG® NEPTUNE® DRYING CENTER

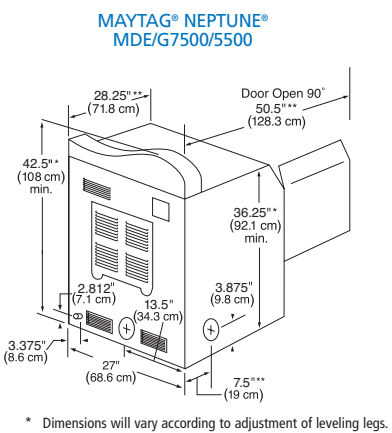
UPPER MOTOR: 65W, 120-volt, 60 Hz, single-phase, thermoprotected against overload, automatic reset.
LOWER MOTOR: 245W, 120-volt, 60 Hz, single-phase, thermoprotected against overload, automatic reset.
UPPER CABINET AIRFLOW: 80 cubic feet (2.3 cu. m) per minute.
TUMBLE DRYER AIRFLOW: 175 cubic feet (5.0 cu. m) per minute.
EXHAUST: Use a minimum of 4" (10.2 cm) diameter rigid aluminum or galvanized-steel duct. Never use plastic, nonmetal or combustible duct.
UPPER HEATING ELEMENT (Both Models): Tubular heater, 1,200W, 10A.
TUMBLE DRYER HEATING ELEMENT (MCE Model): Open coil; 4,800W, 21A when using tumbler only; 3,300W, 14A when using tumbler and upper cabinet.
SINGLE-PORT BURNER (MCG Model): Automatic electric burner with automatic ignition.
AUTOMATIC PRESSURE REGULATOR (MCG Model): Self-adjusting valve automatically compensates for variations in gas pressure.
ELECTRICAL RATING (MCE Model): 240-volt, AC, 60 Hz, draws approximately 5,100W overall.
ELECTRICAL RATING (MCG Model): 120-volt, AC, 60 Hz, draws approximately 1,700W overall.
GAS RATING (MCG Model): 18,000 BTU/hr. for tumble dryer.
FUSE REQUIREMENTS: MCE model: 30A. MCG model: 20A.
LEVELING LEGS: Adjustable to level unit for proper installation.
WEIGHTS (Crated/Uncrated): 273 lbs. (124 kg)/241 lbs. (109 kg).



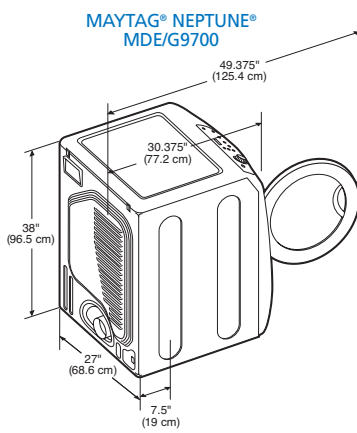
The Drying Center gas model is designed to operate on a 120-volt/20-amp circuit, using an electrical plug and outlet similar to those shown. If your laundry room doesn't have this type of outlet, contact an electrician who can install a proper outlet designed to carry the necessary amperage. The laundry outlet must be less than 6 feet from the washer/gas dryer.



*Dimensions include fully-extended legs. Legs can be lowered 0.82" (2.1 cm).



* Dimensions will vary according to adjustment of leveling legs.
** Includes 3/4" (1.9 cm) for hinge on back of dryer.



MAYTAG® NEPTUNE® DRYERS

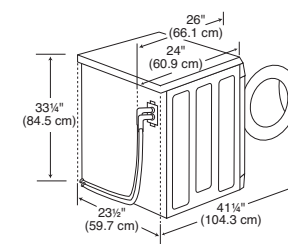
MOTOR: MDE/G9700 — 1/2 HP, 120-volt, 60 Hz, single-phase, thermally protected against overload, auto-reset. All other models are 1/4 HP.
EXHAUST: Use a minimum of 4" (10.2 cm) diameter rigid aluminum or galvanized-steel duct. Never use plastic, nonmetal or combustible duct.

HEAT SOURCE/ELECTRICAL REQUIREMENTS: Electric model — 5,300-watt nichrome helix coil; 240-volt, AC, 60 Hz; 30-amp fuse. Gas model — Single-port burner with automatic electric ignition; 22,000 BTU/hr., 15-amp fuse. Self-adjusting valve automatically compensates for variations in gas pressure.

WEIGHTS (Crated / Uncrated): MDE/G9700 — 138 lbs. (62.6 kg)/128 lbs. (58.1 kg). All other models — 145 lbs. (66 kg)/130 lbs. (59 kg).

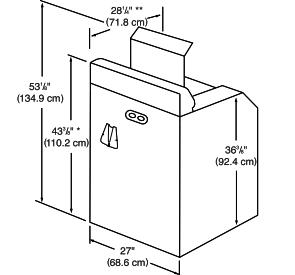
Models	Maytag® Compact Front-Load Washer							Maytag® Washers					Maytag® Stacked Washer LSE/G7806	
	MAH2400	MAV9750	MAV9504E	MAV8551	MAV7551	MAV7504E	MAV6451	SAV5910E	SAV5710	SAV4655E	SAV3655	SAV2655		SAV2555
FEATURES														
ENERGY STAR®-Qualified	★		★			★		★		★				
Capacity — cu. ft.	2.4	3.2	3.2		3.2	3.2	3.2	3.2	3.2	3.3	3.3	3.3	3.3	2.5
Controls	LED	Rotary	Rotary	Rotary	Rotary	Rotary	Rotary	Rotary	Rotary	Rotary	Rotary	Rotary	Rotary	Rotary
Wash tub	Stainless Steel	Stainless Steel	Stainless Steel	Stainless Steel	Polymer	Polymer	Polymer	Stainless Steel	Stainless Steel	Polymer	Polymer	Polymer	Polymer	Porcelain
HydroFlex™ Agitator		Plus	Plus	Plus	Plus	Plus								
FlexCare™ Agitator														
Motor Speed	Universal	Two-Speed	Two-Speed	Two-Speed	Two-Speed	Two-Speed	Two-Speed	Two-Speed	Two-Speed	Two-Speed	Two-Speed	Two-Speed	Two-Speed	One-Speed
Speed Combinations	4	6	6	5	5	5	4	4	4	4	3	3	3	
TurboClean Wash System														
HydroClean™ Wash System														
DependableClean™ Wash System														
TurboRinse™ System														
PureClean™ Rinse System														
Extended Spin														
Water Level Control	IntelliFill™	Infinite	Infinite	Infinite	5	5	4	Infinite	Infinite	Infinite	4	4	4	3
Water Temp. Combinations	5	7	4	7	5	4	4	6	4	4	4	4	4	3
Automatic Temp. Control/CorrecTemp™ Control														
Warm Rinse Option														
Extra Rinse Option														
Delay Wash Option	19-Hour													
Delicates Cycle														
Handwash Cycle														
Presoak/Pretreat Cycle														
Prewash Cycle														
Soak Only Cycle														
Permanent Press/Wrinkle-Free Cycle														
Colors Cycle														
Cottons/Colors Cycle														
Sweaters Cycle														
Quiet Cycle Select														
Spot-Treat With Finger Faucet														
Bleach Dispenser														
Fabric Softener Dispenser														
Detergent Dispenser														
End-Of-Cycle Signal	Chime	Remind						On/Off	On/Off	On/Off	On/Off			
Quick Setting/Quick Wash														
Easy Access														
Self-Cleaning Lint Removal System														
Six-Point Suspension System														
SturdySpin™ Suspension System														
Rear Self-Levelers														
Sound Package	QuietSeries™ 300	Quiet Plus II	Quiet Plus III	Quiet Plus II	Quiet Plus	Quiet Plus II	Quiet Pack	Quiet Plus	Quiet Plus	Quiet Plus	Quiet Pack	Quiet Pack	Quiet Pack	Quiet Pack
Color Availability:														
White														
Bisque														

MAYTAG® COMPACT FRONT-LOAD WASHER



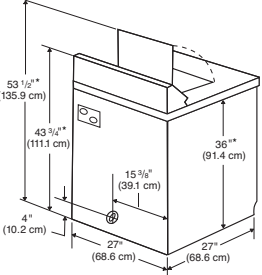
MAYTAG® COMPACT FRONT-LOAD WASHER
HEIGHT — IN. (CM): 33 1/2 (84.5)
WIDTH — IN. (CM): 23 1/2 (59.7)
DEPTH — IN. (CM): 24 (61)
DEPTH (WITH DOOR OPEN) — IN. (CM): 41 1/2 (104.3)
MOTOR: 1/2 HP, 120-volt, 60 Hz.

MAYTAG® ATLANTIS® WASHERS



MAYTAG® ATLANTIS® WASHERS
MOTOR: 1/2 HP, 120-volt, 60 Hz, single-phase, thermally protected against overload, auto-reset.
HOSE LENGTH: Inlet: 4 feet (1.22 m); drain: 4 feet (1.22 m).
INSTALLATION REQUIREMENTS: Hot and cold water connections with water pressure within 30 – 120 p.s.i. (207 – 827 KPa) range; 120°F to 140°F hot water; a drain; a 120-volt, 60 Hz electrical outlet properly grounded and protected by a 15-amp fuse.
WEIGHTS (Crated/Uncrated): 168 lbs. (76.4 kg)/152 lbs. (69.1 kg).

MAYTAG® WASHERS



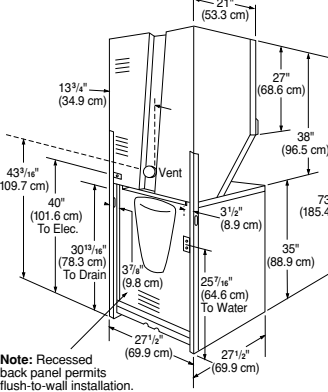
MAYTAG® WASHERS
MOTOR: 1/2 HP rated, 120-volt, 60 Hz, reversible, thermally protected against overload, auto-reset.
HOSE LENGTH: Inlet: 4 feet (1.22 m); drain: 4 feet (1.22 m).
INSTALLATION REQUIREMENTS: Hot and cold water connections with water pressure within 30 – 120 p.s.i. (207 – 827 KPa) range; 120°F to 140°F hot water; a drain; a 120-volt, 60 Hz electrical outlet properly grounded and protected by a 15-amp fuse.
WEIGHTS (Crated/Uncrated): 200 lbs. (91 kg)/175 lbs. (80 kg).

ENERGY STAR
 Models MAV9504E, MAV7504E, SAV5910E, SAV4655E and MAH2400

Exterior Color Options
 White Bisque

Please note: All models listed here may not be available from every Maytag dealer.
 Because of continuing product improvement, Maytag reserves the right to change specifications without notice.
 All Maytag® appliances are UL-, AGA-, CSA- or CGA-approved.
 Dimensional specifications are for planning purposes only. For complete details, see installation instructions packed with product.
 Gas dryer dimensions are shown. Electric dryer dimensions are identical to the gas models. Electric models do not have the gas manifold connections or the power cord. Terminal block on electric models only.

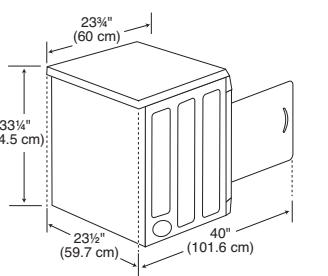
MAYTAG® STACKED WASHER AND DRYER



MAYTAG® SUPER STACK™ WASHER
MOTOR: 1/2 HP rated, reversible, thermoprotected against overload, automatic reset.
ELECTRICAL REQUIREMENT: 120-volt, 60 Hz (supplied through dryer cord).
FUSE REQUIREMENTS: 15-amp.
WATER PRESSURE: 20 – 120 p.s.i. (138 – 827 KPa).
REQUIRED HOT WATER TEMPS: 120°F to 140°F.
HOSE LENGTHS: Inlet Hose: 5 feet (1.5 m); Drain Hose: 4 feet (1.2 m).

MAYTAG® SUPER STACK™ DRYER
MOTOR: 1/2 HP rated, 120-volt, 60 Hz, thermoprotected against overload, automatic reset.
AIRFLOW: 180 cubic feet (5.1 cu. m) per minute.
EXHAUST: 4 in. (10.2 cm) duct permits a max. of 54 ft. (16.5 m) rigid aluminum ductwork. Never use plastic, nonmetal or combustible duct.
HEATING ELEMENT (LSE Model): Nichrome helix coil.
ELECTRICAL RATING (LSE Model): 240-volt, AC, 60 Hz, draws approximately 4,600 watts overall.
FUSE REQUIREMENTS: LSE Model: 30-amp; LSG Model: 15-amp.
SINGLE-PORT BURNER (LSG Model): Electric ignition, automatic shut-off.
GAS RATING (LSG Model): 18,000 BTU/hr. for the drying chamber.
AUTOMATIC PRESSURE REGULATOR (LSG Model): Self-adjusting valve automatically compensates for variations in gas pressure.
LEVELING LEGS: Adjustable, to level unit for proper installation.
WEIGHTS (Entire Unit Crated/Uncrated): 370 lbs. (167.8 kg)/340 lbs. (154.2 kg).

MAYTAG® COMPACT DRYER



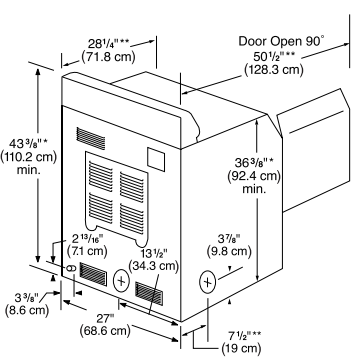
MAYTAG® COMPACT DRYER
HEIGHT — IN. (CM): 33 1/2 (84.5)
WIDTH — IN. (CM): 23 1/2 (59.7)
DEPTH — IN. (CM): 23 1/2 (60)
DEPTH (WITH DOOR OPEN) — IN. (CM): 40 (101.6)
MOTOR: 1/2 HP, 240-volt, 60 Hz.
EXHAUST: Use a minimum of 4" (10.2 cm) diameter rigid aluminum or galvanized-steel duct. Never use plastic, nonmetal or combustible duct.

MAYTAG® Compact Dryer Maytag® Atlantis® Dryers Maytag® Dryers Maytag® Stacked Dryer

Models	MDE2400	MDE/G8400	MDE/G7400	MDE/G6400	SDE/G4606	SDE/G3606	SDE/G2606	LSE/G7806
	FEATURES							
Capacity — cu. ft.	3.7	6.0	6.0	6.0	7.1	7.1	7.1	4.7
Controls	LED	Rotary	Rotary	Rotary	Rotary	Rotary	Rotary	Rotary
GentleBreeze™ Drying System								
Dryness Sensor	AutoDry	IntelliDry®	IntelliDry®	Automatic	IntelliDry®	Automatic	Automatic	Automatic
Moisture Monitor/Sensor								
Adjustable Degree Of Dryness								
Temperature Settings	3	Infinite	4	4	Variable	4	3	3
Time Dry Cycle								
Air Fluff Cycle								
Damp Dry Cycle								
Extended Tumble/Wrinkle Out								
Wrinkle Release								
Permanent Press/Wrinkle-Free Cycle								
Low/Delicate Temperature								
Ultra Care/Extra-Low Temperature								
End-Of-Cycle Signal	Melodious Chime	Variable Chime	On/Off Chime	On/Off Signal	On/Off Chime	On/Off Signal		
Drum Light								
Dryel® Cycle								
Reversible Door								
Extra-Large Door Opening								
Dryer Drum	Stainless	DuraCushion™	DuraCushion™	DuraCushion™	DuraCushion™	DuraCushion™	DuraCushion™	DuraCushion™
High-Capacity Blower								
Four-Point Suspension System								
Electronic Ignition W/Safety Shut-Off Valve (Gas Only)								
Optional Stacking Kit	MAL2424AXX							
Optional LP Kit		MAL9000AXX	MAL9000AXX	MAL9000AXX	LPK1	LPK1	LPK1	
Standard Drying Rack		MAL1100AXX	MAL1100AXX	MAL1100AXX	DR3	DR3	DR3	
Sound Package	QuietSeries™ 300	Quiet Plus	Quiet Pack	Quiet Pack	Quiet Plus	Quiet Plus		Quiet Pack
Color Availability:								
White								
Bisque								

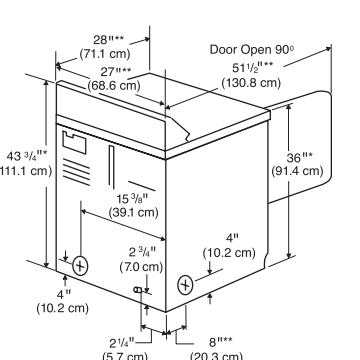
¹Drying rack with side storage included.
 Dryel® is a registered trademark of Procter & Gamble.

MAYTAG® ATLANTIS® DRYERS



MAYTAG® ATLANTIS® DRYERS
MOTOR: 1/2 HP, 120-volt, 60 Hz, single-phase, thermally protected against overload, auto-reset.
EXHAUST: Use a minimum of 4" (10.2 cm) diameter rigid aluminum or galvanized-steel duct. Never use plastic, nonmetal or combustible duct.
HEAT SOURCE/ELECTRICAL REQUIREMENTS: Electric model — 5,300-watt nichrome helix coil; 240-volt, AC, 60 Hz; 30-amp fuse. Gas model — Single-port burner with automatic electric ignition; 22,000 BTU/hr., 15-amp fuse. Self-adjusting valve automatically compensates for variations in gas pressure.
WEIGHTS (Crated/Uncrated): 145 lbs. (66 kg)/130 lbs. (59 kg).

MAYTAG® DRYERS



MAYTAG® DRYERS
MOTOR: 1/2 HP, 120-volt, 60 Hz, single-phase, thermally protected against overload, auto-reset.
EXHAUST: Use a minimum of 4" (10.2 cm) diameter rigid aluminum or galvanized-steel duct. Never use plastic, nonmetal or combustible duct.
HEAT SOURCE/ELECTRICAL REQUIREMENTS: Electric model — 5,300-watt nichrome helix coil; 240-volt, AC, 60 Hz; 30-amp fuse. Gas model — Single-port burner with automatic electric ignition; 22,000 BTU/hr., 15-amp fuse. Self-adjusting valve automatically compensates for variations in gas pressure.
WEIGHTS (Crated/Uncrated): 145 lbs. (66 kg)/130 lbs. (59 kg).

Exterior Color Options
 White Bisque