



## Installation Guide



SS1095NF



SS1095FC



SS1095FD

## SS1095 Ice Maker

---

[www.U-LineService.com](http://www.U-LineService.com)

Phone (414) 354-0300 • FAX (414) 354-7905  
Service & Parts Tech Lines Phone (800) 779-2547 • FAX (414) 354-5696  
[OnlineService@U-Line.com](mailto:OnlineService@U-Line.com)

©2008 U-Line Corporation  
09/2008

**Contents**

Follow Safety Precautions ..... 2  
 Safety Alert Definitions ..... 2  
 General Precautions ..... 3  
 Inspect and Plan ..... 3  
 Tools/Materials Required ..... 3  
 Inspection ..... 3  
 Prepare Site ..... 4  
 Cut-Out Dimensions ..... 4  
 Product Dimensions ..... 6  
 Door Swing/Clearances Information ..... 7  
 Reversing the Door ..... 8  
 Service ..... 9  
 Other Site Requirements ..... 9  
 Power Supply ..... 9  
 Water Supply ..... 9  
 Environmental Issues ..... 9  
 Adjust Door ..... 10  
 Checking Door Alignment ..... 10  
 Prepare Plumbing ..... 10  
 Water Supply Connection ..... 10  
 Prepare Water Supply ..... 11  
 Level the Unit ..... 12  
 Leveling Information ..... 12  
 Install the Unit ..... 12  
 Installation of the Unit ..... 12  
 Grille Installation ..... 12  
 Installation Troubleshooting ..... 13  
 Start-Up for the First Time ..... 13  
 Initial Start-Up ..... 13  
 Start-Up Troubleshooting ..... 14  
 Who To Call ..... 14  
 Service Information ..... 14

**1 Follow Safety Precautions**

**IMPORTANT**

PLEASE READ all instructions completely before attempting to install or operate the unit.

- This unit requires connection to the water supply. Improper hook-up can result in substantial property damage! If you are unsure of your ability to safely connect the water supply to the unit, consult a licensed plumber for assistance.
- This unit requires connection to a grounded (three-prong), polarized receptacle that has been placed by a qualified electrician in accordance with applicable electrical codes.

**Safety Alert Definitions**

Safety items throughout this guide are labeled with a Danger, Warning or Caution based on the risk type:

** DANGER**

***Danger means that failure to follow this safety statement will result in severe personal injury or death.***

** WARNING**

***Warning means that failure to follow this safety statement could result in serious personal injury, or death.***

** CAUTION**

Caution means that failure to follow this safety statement may result in minor or moderate personal injury, property or equipment damage.

## General Precautions

Use this appliance for its intended purpose only and follow these general precautions along with those listed throughout this guide:

---

### WARNING

#### **SHOCK HAZARD — Electrical Grounding Required.**

- **Keep the unit unplugged throughout installation except during testing.**
- **Never remove the round grounding prong from the plug and never use a two-prong grounding adapter.**
- **Never use an extension cord to connect power to the unit.**
- **Always keep your working area dry.**

---

### CAUTION

- Use care when moving and handling the unit. Use gloves to prevent personal injury from sharp edges.
- Do not lift the unit by the door or door handle.
- Do not install the unit behind closed doors or in any way that would obstruct airflow to the front grille, which may cause the unit to malfunction.

## 2 Inspect and Plan

---

You have received a carton containing your SS1095 Ice Maker with a package inside containing a User Manual, a Product Registration Card and water connection parts. Complete and mail the Product Registration Card or register online at [www.U-LineService.com](http://www.U-LineService.com). Once your unit is installed, keep the User Manual and this Installation Guide in a safe place for future reference.

Please carefully follow the directions that apply to your unit and your intended design.

### **Tools/Materials Required**

- Screwdrivers — slotted and Phillips head
- 1/4-inch OD copper tubing and shut-off valve for water supply line
- 1/4-inch thick door panel material and cutting tools

---

### **IMPORTANT**

A complete water hook up kit is available for purchase from your dealer. Order U-Line Part No. WATERHOOKUP.

### **Inspection**

Unwrap and inspect the unit on a flat, level surface capable of supporting its entire weight.

### 3 Prepare Site

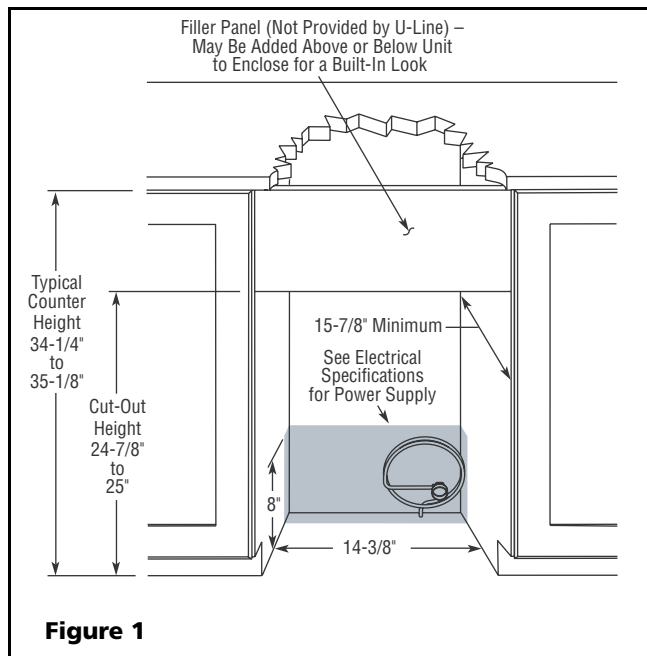
Your U-Line product has been designed for either free-standing or built-in installation. When built-in, your unit does not require additional air space for top, sides or rear. However, the front grille must NOT be obstructed and clearance is required for water and electrical connections in the rear.

*Note:* Unit can NOT be installed behind a closed cabinet door.

### Cut-Out Dimensions

#### IMPORTANT

It is extremely important that the unit sits on a level surface, as it does not have feet levelers. If it is not level, the ice mold will not fill evenly.



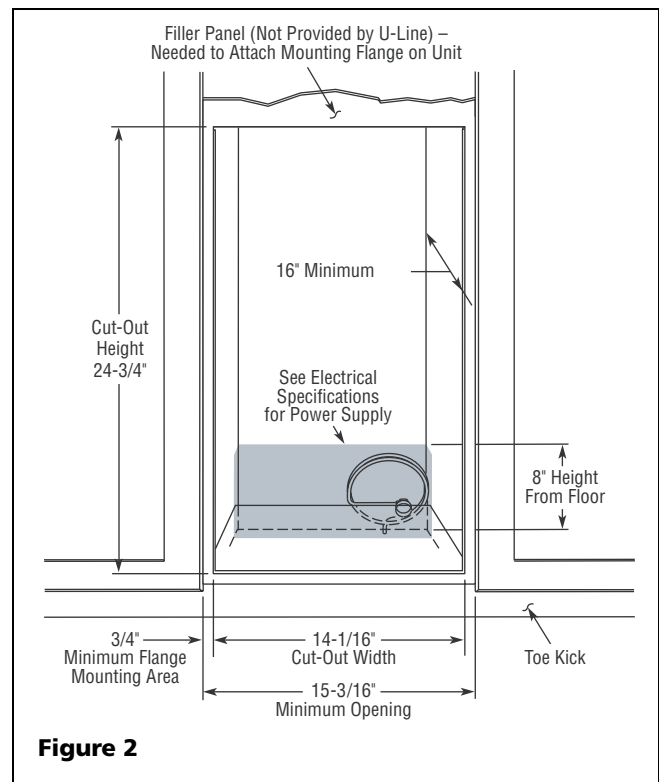
**Figure 1**

**Model SS1095NF:** Follow the cut-out drawing in (**Figure 1**). The 14-3/8" width allows 1/4" for ease in installation and removal of the unit. 15-7/8" depth includes the water line connection.

*Note:* If you purchase a U-Line WATERHOOKUP kit, the minimum depth required to install the unit is 15-1/8". The recommended receptacle location is an adjacent cabinet. If receptacle will be behind unit, additional space is required.

**Model SS1095FC:** Follow the cut-out drawing in (**Figure 2**). The unit must sit in a frame structure with a frame thick enough to accommodate mounting the flange to its sides and top, and a base high enough to align the door with other cabinet doors. Make the frame width 14-1/6" and the height 24-3/4". This will allow for ease in installation and removal of the unit for servicing. 16" depth includes the water line connection.

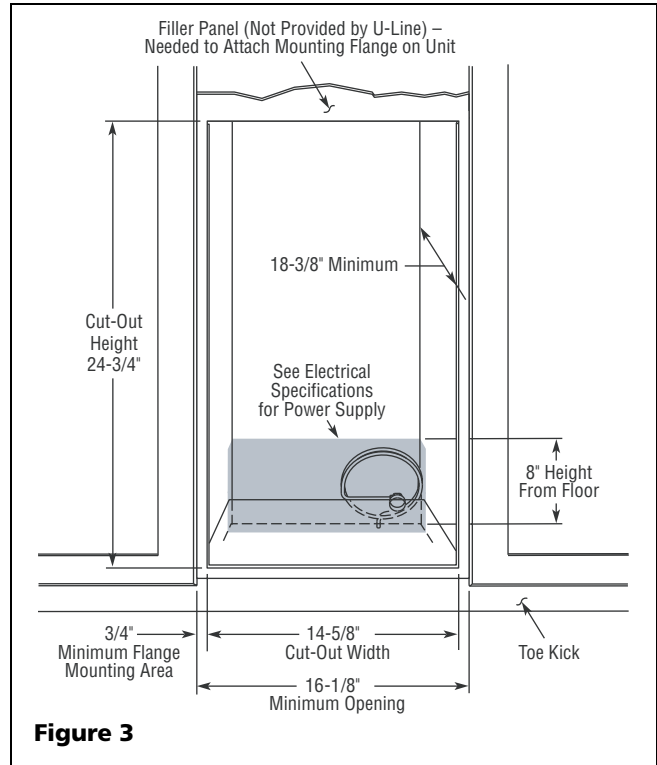
*Note:* If you purchase a U-Line WATERHOOKUP kit, the minimum depth required to install the unit is 15-1/4". The recommended receptacle location is an adjacent cabinet. If receptacle will be behind unit, additional space is required.



**Figure 2**

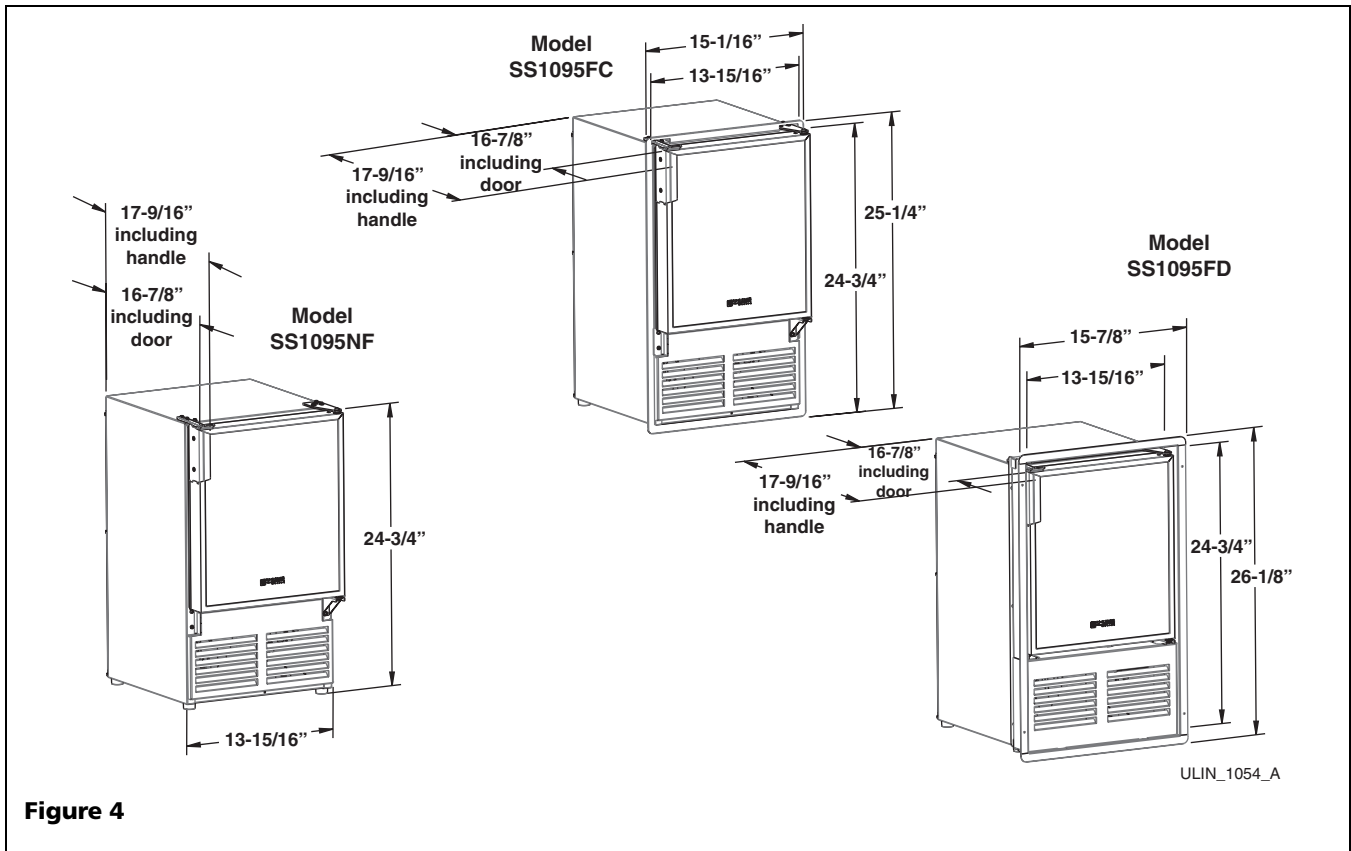
**Model SS1095FD:** Follow the cut-out drawing in **(Figure 3)**. The unit must sit in a frame structure with a frame thick enough to accommodate mounting the flange to its sides and top, and a base high enough to align the door with other cabinet doors. Make the frame width 14-5/8" and the height 24-3/4". This will allow for ease in installation and removal of the unit for servicing. 18-3/8" depth includes the door and water line connection.

*Note:* If you purchase a U-Line WATERHOOKUP kit, the minimum depth required to install the unit is 17-5/8". The recommended receptacle location is an adjacent cabinet. If receptacle will be behind unit, additional space is required.



**Figure 3**

**Product Dimensions**

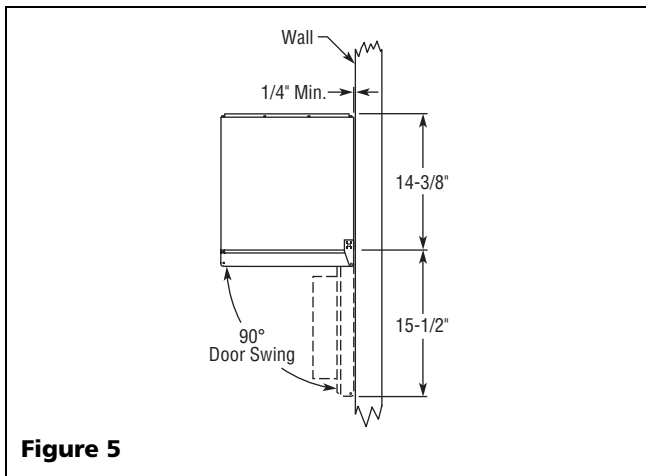


**Figure 4**

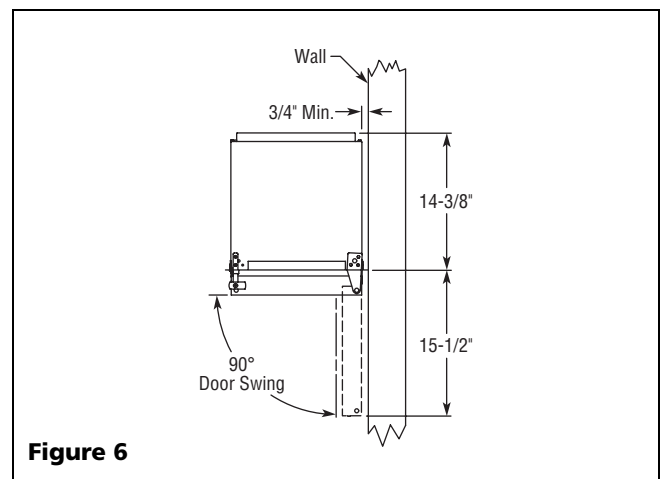
**Door Swing/Clearances Information**

**Model SS1095NF:** Units have a zero clearance for the door to open 90° (see **Figure 5**). U-Line recommends a minimum door clearance of 1/4" to accommodate the handle if the unit is right-hand hinged and installed next to a wall or similar type of structure.

**Models SS1095FC & SS1095FD:** Units have a zero clearance for the door to open 90° (see **Figure 6**). U-Line recommends a minimum door clearance of 3/4" to accommodate the flange if the unit is right-hand hinged and installed next to a wall or similar type of structure.



**Figure 5**

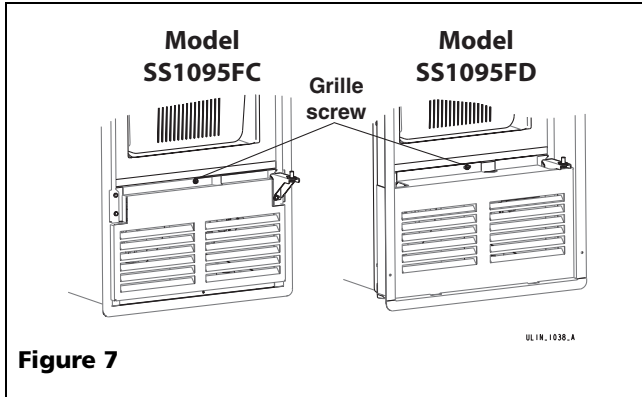


**Figure 6**

### Reversing the Door

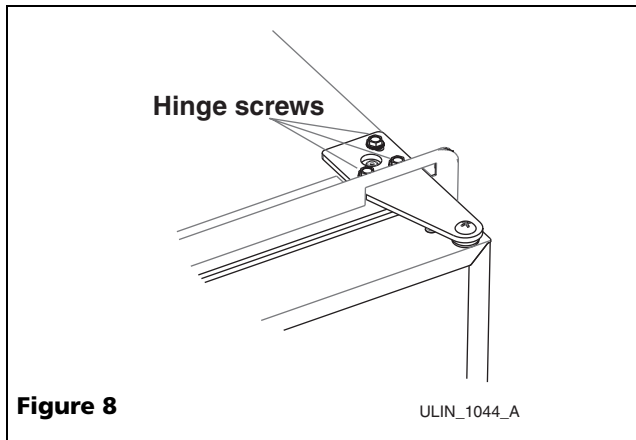
Depending upon the location of the unit, it may be desirable to change the side on which the door is mounted.

To reverse the door mounting, perform the following:



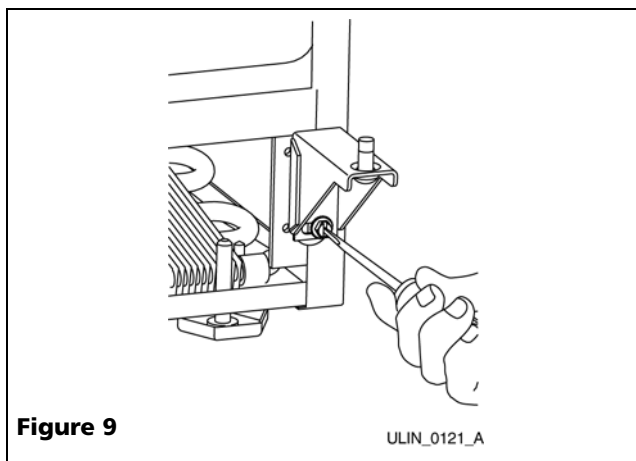
**Figure 7**

1. Remove grille (one screw) **(Figure 7)**.
2. Remove top hinge from cabinet (three screws) **(Figure 8)**. Hold door to keep it from falling.



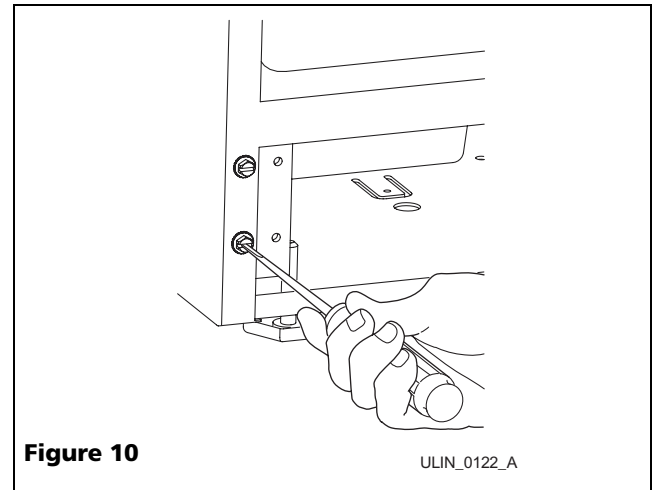
**Figure 8**

3. Lift the door off the bottom hinge.



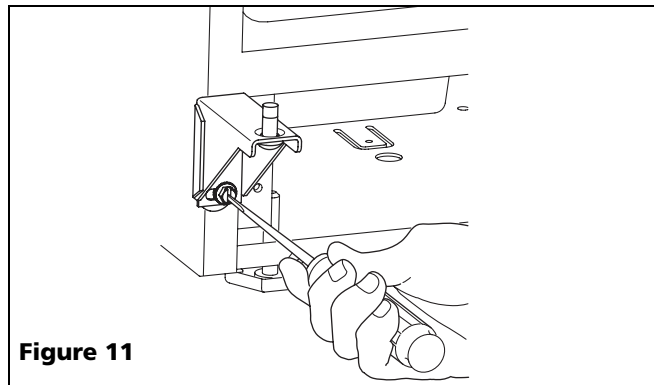
**Figure 9**

4. Remove bottom hinge from cabinet (two screws) **(Figure 9)**.

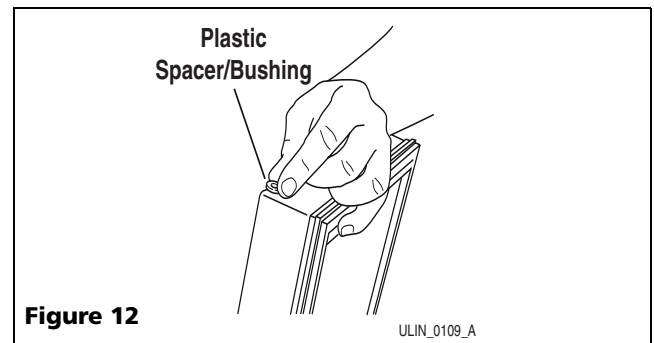


**Figure 10**

5. Remove screws on opposite side of cabinet **(Figure 10)**.
6. Install hinge on opposite side, bottom of cabinet **(Figure 11)**. Align hinge outer edge with cabinet before tightening screws.



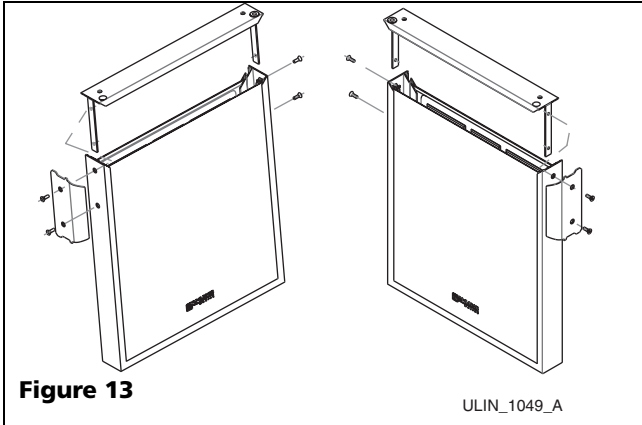
**Figure 11**



**Figure 12**

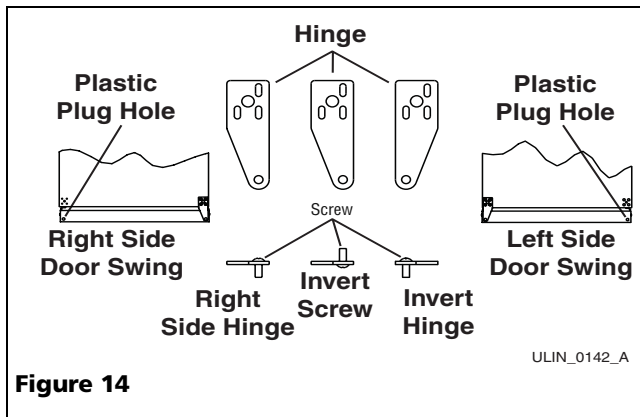
7. Relocate plastic spacer/bushing **(Figure 12)** on top and bottom of door to opposite side. Clean out bushing hole in door bottom with a screwdriver if necessary.

8. Using a Phillips screwdriver, remove the two screws holding the custom stainless handle from the original location, and remove the handle. Remove the two screws on the opposite side of the door (**Figure 13**). Do not place handle on door until you have completed, steps 9 & 10.



**Figure 13**

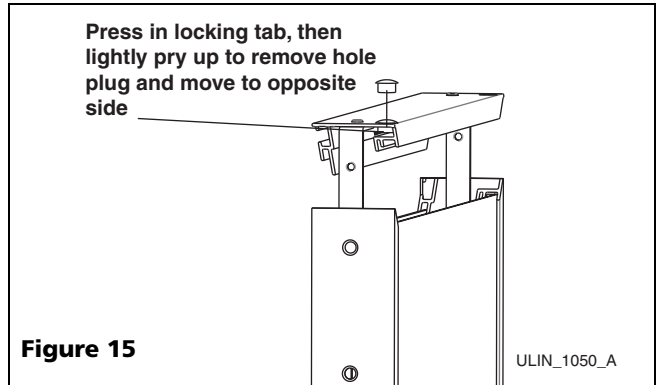
ULIN\_1049\_A



**Figure 14**

ULIN\_0142\_A

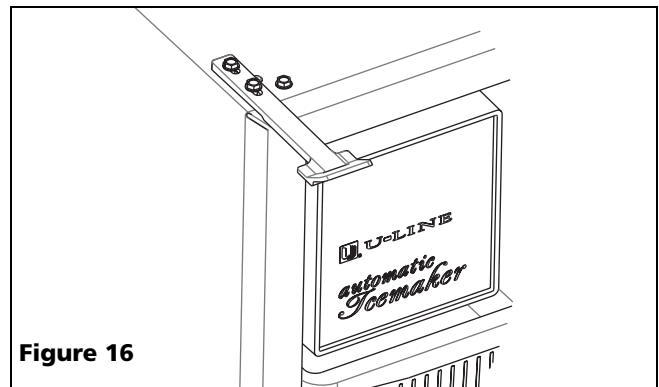
9. Remove plastic hole plug (**Figure 15**) from door handle and relocate on opposite side. Lift the handle slightly and press on the locking tab, then gently pry the hole plug out of the hole being careful not scratch the top cap.



**Figure 15**

ULIN\_1050\_A

10. Relocate plastic spacer/bushing on top of door that was underneath the hinge to the opposite hole in top cap
11. Attach handle removed in step 7 to opposite side of door frame. Be sure to tighten all four screws removed in step 7.
12. Remove pivot screw from top hinge, invert screw and reinstall pivot screw in top hinge (**Figure 15**).
13. Remove all three screws on the opposite side of the hinge and carefully lift off the door latch assembly (**Figure 16**).



**Figure 16**



14. Place the door latch assembly on opposite side of unit (Figure 17). Be sure to tighten all three screws securely.

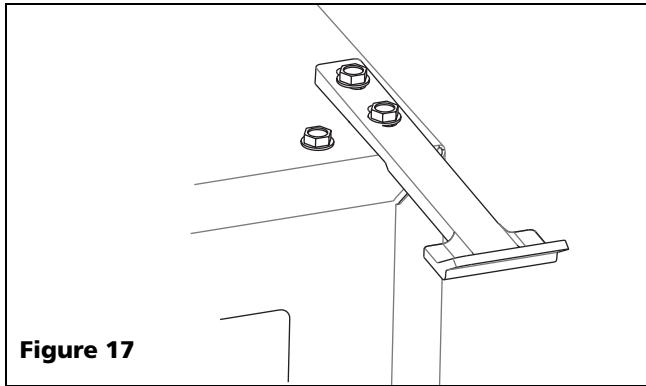


Figure 17

15. Place door on lower hinge pin. Invert and install upper hinge on door. Fasten upper hinge to unit (three screws Figure 18). Partially tighten screws.

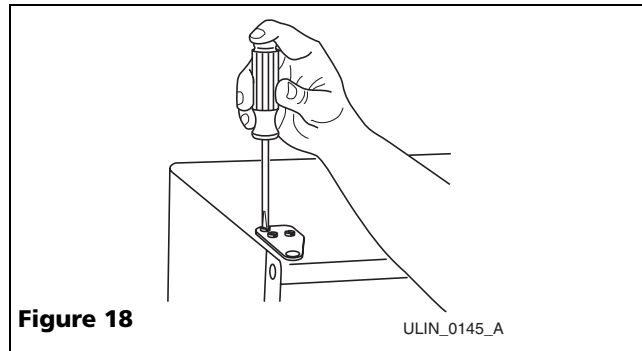


Figure 18

ULIN\_0145\_A

16. Adjust door to assure proper seal. Tighten upper and lower hinge screws securely.

17. Replace screws in holes in bottom of unit on opposite side.

18. Replace the grille.

**4 Service**

**Other Site Requirements**

**Power Supply**

The unit requires a grounded and polarized 115 VAC, 60 Hz, 15A circuit (normal household current). See Electrical Specifications on Page 11.

**Water Supply**

The unit requires a 1/4-inch OD water supply line and a shut-off valve. For more information see Page 10.

**Environmental Requirements**

The surrounding air temperature must be at least 50°F (10°C) but must not exceed 110°F (40°C). Units may be installed outdoors in a covered area. The unit must not be located near heat-generating equipment or in direct sunlight.

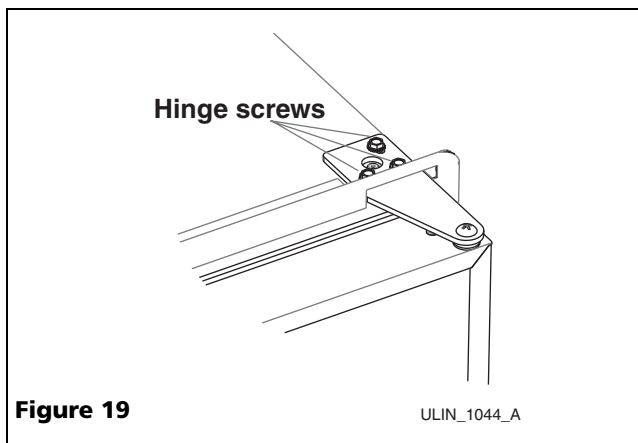
**5 Adjust Door**

**Checking Door Alignment**

The unit's door is aligned at the factory before shipment. However, its alignment could have been disturbed during shipment or during door panel installation.

**IMPORTANT**

**Properly aligned, the door's gasket should be firmly in contact with the cabinet all the way around the door (no gaps). Carefully examine the door's gasket to assure that it is firmly in contact with the cabinet. Also make sure the door gasket is not pinched on the hinge side of the door.**



**Figure 19**

1. Loosen (do not remove) top (**Figure 19**) and bottom hinge screws.
2. Align door squarely with cabinet.
3. Make sure gasket is firmly in contact with cabinet all the way around the door (no gaps).
4. Tighten bottom hinge screws.
5. Tighten top hinge screws.

**6 Prepare Plumbing**

**CAUTION**

Plumbing installation must observe all state and local codes. All water connections **MUST BE** made by a licensed/qualified plumbing contractor. Failure to follow recommendations and instructions may result in damage and/or harm.

**WARNING**

**To prevent accidental electrocution, make certain that the floor surfaces surrounding the unit are dry whenever power is removed from, or applied to, the unit.**

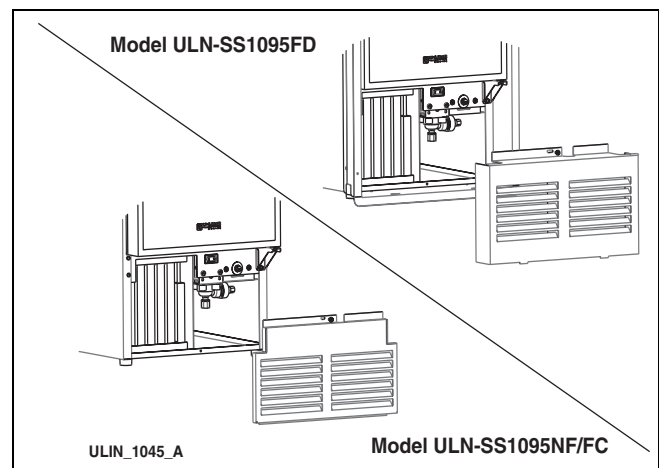
**Water Supply Connection**

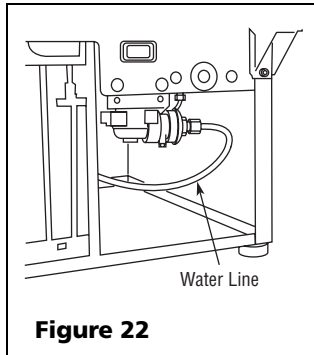
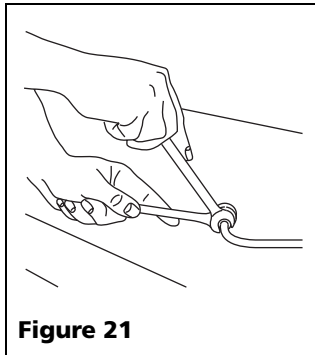
When connecting the water supply, follow these guidelines:

- Review the local plumbing codes before you install the unit.
- Connect to the cold water supply.
- The water pressure should be between 20 and 120 psi.
- Install a shut-off valve in the 1/4 inch OD water supply line.
- Connect sufficient tubing to the unit so that tubing may be looped, allowing the unit to be removed for cleaning and servicing (see **Figure 23**). However, make certain that the tubing is not pinched or damaged during installation.
- If using the flexible water supply kit, follow the instructions included with the kit.

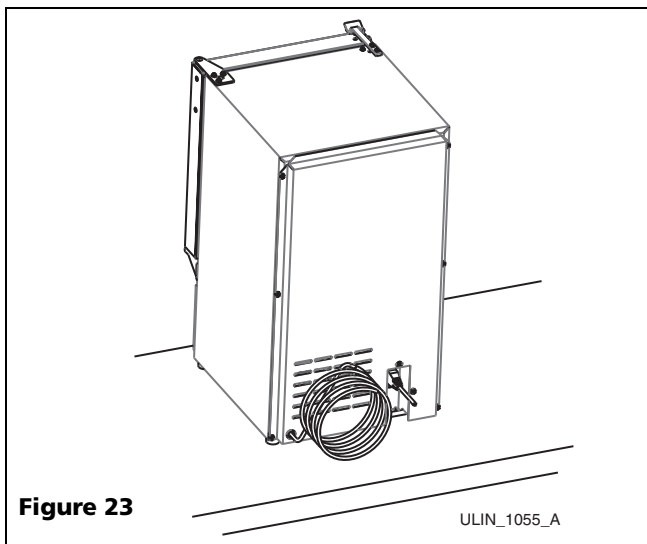
To connect to water supply:

1. With a standard blade screwdriver or 1/4" nut driver, remove the grille screw (**Figure 20**). Remove the grille.
2. Install the 1/4 inch OD copper water line from the main water source.





3. Locate the compression fitting and ferrule packed with the unit. Slide the compression fitting and ferrule over the 1/4-inch OD water supply line. Do not use thread sealing compound or tape. Using two wrenches, tighten the compression fitting on the supply line (see **Figure 21**).
4. Carefully bend the water supply line into position and connect the line to the solenoid valve (see **Figure 22**). Avoid kinking the water supply line.



**IMPORTANT**

Route the water supply line through the unit so it does not come into contact with any internal components other than the solenoid valve. See **Figure 23**. Normal operation creates some vibration. A water supply line contacting an internal component or cabinet wall can cause excessive noise during operation or damage to the line.

5. For recessed installations, allow extra water supply line length to provide slack for easy removal from the recessed area (see **Figure 23**). This will also safeguard against kinking the line.
6. Go on to **7 Prepare Power Supply**.

**7 Prepare Power Supply**

**Electrical Specifications**

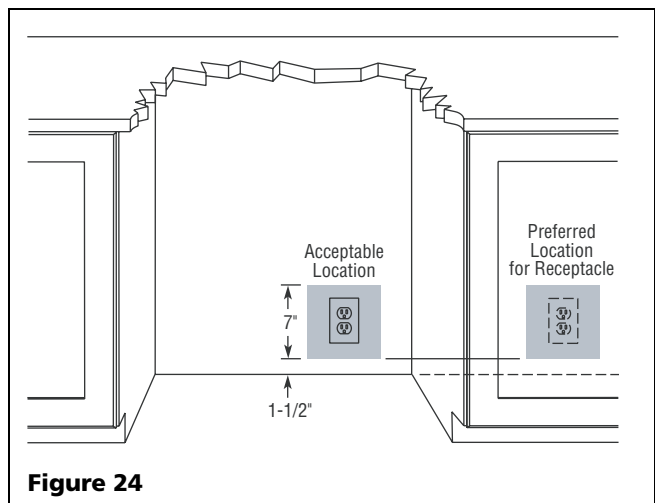
**⚠ CAUTION**

Electrical installation must observe all state and local codes. This unit requires connection to a grounded (three-prong), polarized receptacle that has been placed by a qualified electrician.

The unit requires a grounded and polarized 115 VAC, 60 Hz, 15A power supply (normal household current). An individual, properly grounded branch circuit or circuit breaker is recommended. GFCI (ground fault circuit interrupter) is usually not required for fixed location appliances and is not recommended for your unit because a GFCI could be prone to nuisance tripping. However, be sure to consult your local codes.

It is recommended to locate the receptacle behind an adjacent cabinet (see **Figure 24**). Plugging the unit into a receptacle located behind an adjacent cabinet will allow the unit to be serviced more easily without disturbing the installation.

*Note:* If receptacle is located behind the unit, additional space will be required to make unit flush with adjacent cabinets.



**⚠ WARNING**

**SHOCK HAZARD — Electrical Grounding Required.**

- **Never remove the round grounding prong from the plug and never use a two-prong grounding adapter.**
- **Never use an extension cord to connect power to the unit.**

Go on to **8 Level the Unit**.

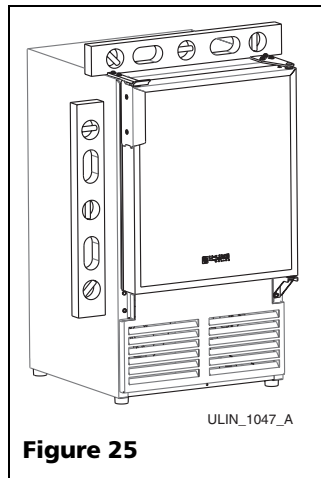
**8 Level the Unit**

**Leveling Information**

**IMPORTANT**

It is extremely important that the unit sits on a level surface, as it does not have feet levelers. If it is not level, the ice mold will not fill evenly.

Use a level to check the levelness of the unit from front to back and from side to side. Level should be placed along top edge and side edge as shown (see **Figure 25**). Go on to **9 Install the Unit**.



**Figure 25**

**9 Install the Unit**

**Installation of the Unit**

1. Open the water supply valve in the main water source.
2. Plug in the power cord.
3. Gently push the unit into position. Be careful not to kink the water supply line or entangle the electrical cord.
4. Re-check the leveling, from front to back and side to side. Make any necessary adjustments. The unit's top surface should be approximately 1/8" below the countertop.

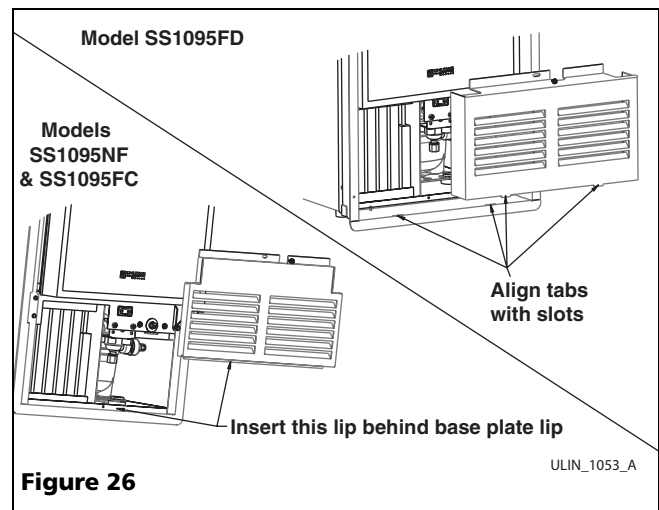
**Grille Installation**

5. Depending on your model, follow the instructions for installing the grille (**Figure 26**).

SS1095NF & SS1095FC models: Place the bottom lip of the grille on the inside of the base pan and swing grille up into position.

SS1095FD model: Align the tabs on the bottom of the grille with the slots in the flange and swing grille up into position.

Align the grille and cabinet screw holes.



**Figure 26**

6. Insert the grille screw and tighten. Do not over-tighten.
7. Reconnect power to the unit.

## Installation Troubleshooting

### **Q:** Problem

Water is leaking under the unit.

### **A:** Solution

A water leak under the unit is most likely caused by a bad connection in the water supply line. Make sure the water line's brass fitting is screwed tight to its valve and threaded correctly. Make sure that plumbers tape was NOT used; if it was remove all traces before reinstalling.

## 10 Start-Up for the First Time

### Initial Start-Up

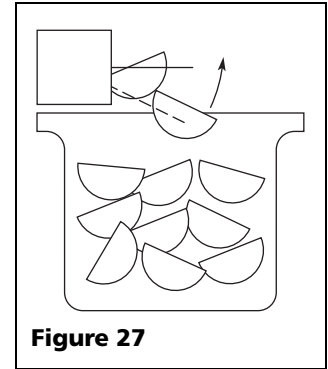
The on/off switch is located behind the front grille. A small opening in the top of the grille is provided to access the switch. Ensure that the switch is turned on.

No setting adjustments should be necessary at this time. For information about Adjusting the Temperature Control, see the User Manual.

As soon as the ice maker mold reaches the proper temperature, the ice maker mechanism will fill the mold with water.

*Note:* The first cubes may be small because of air in the water line. After two hours, cubes will be standard size.

The ice maker will continue to produce until the bin is full. You may interrupt production by raising the bin arm into an upright and locked position (see **Figure 27**). While the bin arm is locked, the unit will maintain temperature for ice storage.



**Figure 27**

### IMPORTANT

It is possible that dirt or scale will dislodge in the water line. Always throw away all ice cubes made during the first twenty-four (24) hours of operation.

## Start-Up Troubleshooting

### **Q:** Problem

Unit does not appear to turn on when plugged in.

### **A:** Solution

Make sure outlet has power (circuit breaker has not tripped). Make sure the on/off switch is turned on.

### **Q:** Problem

Water does not appear to be flowing into unit.

### **A:** Solution

Check that the water is connected and turned on and the line is not obstructed. Water coming into the unit may take an hour or more.

### **Q:** Problem

The cubes produced during the first two to three hours of operation have been discarded. New cubes still appear cloudy.

### **A:** Solution

This is normal and is caused by air being trapped in the cube during fast freezing.

---

### **IMPORTANT**

See the User Manual's *Troubleshooting Guide* for more solutions.

## Who to Call

### Service Information

If the need for service arises, contact the dealer from whom the unit was purchased. State the Model Number and Serial Number and explain the problem. The Model and Serial Number plate is located inside unit at upper right hand corner.

If you need to locate a service company, you can go online at **[www.U-LineService.com](http://www.U-LineService.com)** and search for a service company by zip code.

---

**This page intentionally left blank.**



---

## MARINE SERIES

---

**For more than four decades, U-Line has distinguished itself as the leader in built-in undercounter ice making, refrigeration and wine storage appliances.**

*Echelon Series / Origins Series /* MARINE SERIES

U-Line Corporation, located in Milwaukee, WI, is a family operated manufacturer of built-in undercounter icemakers, Combo® icemaker/refrigerators, Wine Captain® wine storage units, refrigerators, refrigerated drawers and refrigerator/freezers.