



M A R I N E   S E R I E S

# Use and Care Guide

**Ice Maker Model:  
SS1095**



**SS1095NF**



**SS1095FC**



**SS1095FD**

## 1 Introduction

Congratulations on your purchase of a U-Line refrigeration product. A pioneer in the field for more than 40 years, U-Line Corporation is the world's number one manufacturer of built-in, under-counter, specialty refrigeration and ice making products. U-Line dedicates 100% of its research and development to these products. The result: U-Line technology consistently leads the market with innovation, design, depth of product line and performance.

U-Line products are making life more convenient in homes, businesses, and hotels around the world. U-Line supports its products with a strong dealer network, and its commitment to quality even extends to environmentally safe packaging.

### IMPORTANT

**READ all of the instructions in this guide completely before operating the unit for the first time.**

For future reference, keep this guide in a safe, accessible location. If you need additional information or assistance, please contact U-Line Corporation directly. Contact information appears on the rear cover of this guide.

If you have a problem with the operation of this product, the SERVICE section of this guide will assist you in quickly identifying common problems and provide information on possible causes and remedies. If your product needs service, contact U-Line directly.

## Warranty Registration

Your U-Line Corporation Limited Warranty is located on the inside rear cover of this guide. To validate your warranty, the product and its original purchase date must be registered. A Warranty Registration Card has been included for this purpose in the package containing this manual. Complete and mail the Warranty Registration Card, or register your product online at [www.U-LineService.com](http://www.U-LineService.com) as soon as possible after purchase.

If your product registration is not on file and a request for warranty coverage is received, the date of sale to the U-Line Selling Dealer or Distributor will be established as the first date of warranty coverage for your product.

## Please Record Your Model Information

When you request additional information or service, you will be asked for your products model and serial numbers. You can find this information on the serial plate located on the upper right or rear wall in the interior of your unit. This information also appears on the warranty registration card.



**Figure 1**

Please record the model number (**1, Figure 1**), serial number (**2, SS1095Figure 1**), date of purchase, and dealer contact information for your U-Line product below:

**Model Number:**

\_\_\_\_\_

**Dealer Name:**

\_\_\_\_\_

**Serial Number:**

\_\_\_\_\_

**Dealer Address:**

\_\_\_\_\_

**Purchase Date:**

\_\_\_\_\_

**Dealer Telephone:**

\_\_\_\_\_

## 2 Table of Contents

Introduction .....	Inside Front Cover
Warranty Registration .....	Inside Front Cover
Please Record Your Model Information .....	Inside Front Cover
Table of Contents .....	3
Safety Precautions .....	4
Safety Alert Definitions .....	4
General Precautions .....	4
Product Features .....	5
Operation .....	5
Initial Startup .....	5
Ice Harvest Control .....	5
Ice Maker .....	5
Normal Operating Sounds .....	6
Outdoor, Marine and RV Usage .....	6
Storage, Vacation, Moving .....	6
Product Disposal .....	7
Cleaning and Maintenance .....	8
Interior Cleaning (As Required).....	8
Defrosting.....	8
Condenser Cleaning.....	8
Ice Maker Maintenance .....	9
Ice Cube Thickness Adjustment.....	10
Leveling .....	10
Door Alignment Check and Adjustment .....	11
Door Reversal .....	11
Service .....	13
Before Calling for Service .....	13
If Service is Required .....	13
Replacement Parts .....	13
Troubleshooting Guide .....	14
U-Line Corporation Limited Warranty .....	Inside Back Cover

### 3 Safety Precautions

#### IMPORTANT

PLEASE READ all instructions completely before attempting to install, operate, or service your unit.

- Proper installation procedures must be followed if this unit is being initially installed, or is moved to a new location after being in service. An **INSTALLATION GUIDE** for your unit, providing complete installation information is available from U-Line Corporation directly, and must be consulted before any installation is begun. U-Line contact information appears on the rear cover of this guide.
- This unit requires connection to a grounded (three-prong), polarized receptacle that has been placed by a qualified electrician in accordance with applicable electrical codes.

#### Safety Alert Definitions

Safety items throughout this guide are labeled with a Danger, Warning or Caution based on the risk type:

#### DANGER

**Danger means that failure to follow this safety statement will result in severe personal injury or death.**

#### WARNING

**Warning means that failure to follow this safety statement could result in serious personal injury or death.**

#### CAUTION

**Caution means that failure to follow this safety statement may result in minor or moderate personal injury, property or equipment damage.**

#### General Precautions

Use this appliance for its intended purpose only and follow these general precautions along with those listed throughout this guide:

#### DANGER

**RISK OF CHILD ENTRAPMENT.** Before you throw away your old refrigerator or freezer, take off the doors and leave shelves in place so that children may not easily climb inside.

#### WARNING

**SHOCK HAZARD - Electrical Grounding Required.**

- Never attempt to repair or perform maintenance on the unit until the electricity has been disconnected.
- Never remove the round grounding prong from the plug and never use a two-prong grounding adapter.
- Altering, cutting of power cord, removal of power cord, removal of power plug, or direct wiring can cause serious injury, fire and/or loss of property and/or life, and will void the warranty.
- Never use an extension cord to connect power to the unit.
- Always keep your working area dry.

#### CAUTION

- Use care when moving and handling the unit. Use gloves to prevent personal injury from sharp edges.
- If your model requires defrosting, **DO NOT** use any type of heater to defrost. Using a heater to speed up defrosting can cause personal injury and damage to the inner lining.

#### IMPORTANT

- Do not lift unit by door handle.
- Never install or operate the unit behind closed doors. Be sure front grille is free of obstruction. Obstructing free air flow can cause the unit to malfunction and may void the warranty.
- Failure to clean the condenser every three months can cause the unit to malfunction. This could void the warranty.
- Allow unit temperature to stabilize for 24 hours before use.
- If your model requires defrosting, never use an ice pick or other sharp instrument to help speed up defrosting. These instruments can puncture the inner lining or damage the cooling unit.
- Use only genuine U-Line replacement parts. Imitation parts can damage the unit, affect its operation or performance and may void the warranty.

## 4 Product Features

### Origins Ice Maker Model SS1095

All Origins Ice Makers provide high daily ice production and storage capabilities, and conserve on water, using only 2-3/4 gallons (10.4 L) to produce approximately 22 lbs (10 kg) of ice.

- Model SS1095 produces up to 23 lbs (10.4 kg) of ice per day and will store 12 lbs (5.4 kg).
- The unit features a clear, removable ice bucket.
- Occasional manual defrosting will be required.
- Models SS1095 door features custom Stainless side handle that is field reversible.

Features and specifications are subject to change without notice.

## 5 Operation

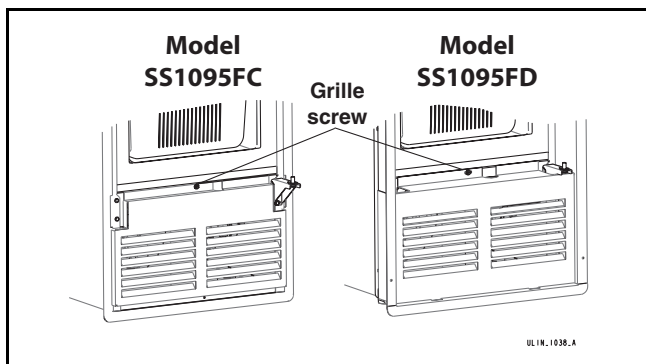


Figure 2

### IMPORTANT

**Proper air flow is required for your unit to operate at its highest efficiently. A grille, located in the base of the unit (Figure 2), must not be blocked at any time, or your unit will not perform as expected.**

### Initial Startup

All U-Line units are shipped with controls that are preset. No initial adjustments are required.

### IMPORTANT

**It is possible that dirt or scale will dislodge in the water line. Always throw away all ice cubes made during the first two to three hours of operation.**

The power switch is located behind the front grille. A small opening in the top of the grille (Figure 2) is provided to access the switch.

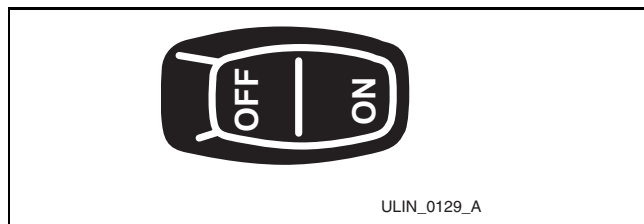


Figure 3

Depress the ON/OFF switch (Figure 3) as required to turn the unit on or off.

### Ice Harvest Control

Adjustments are not normally needed. The control is preset at the factory.

### IMPORTANT

**Making adjustments may affect the daily ice production of the unit.**

To adjust the Ice Harvest Control:

1. Remove the front grille (one screw) (Figure 2).

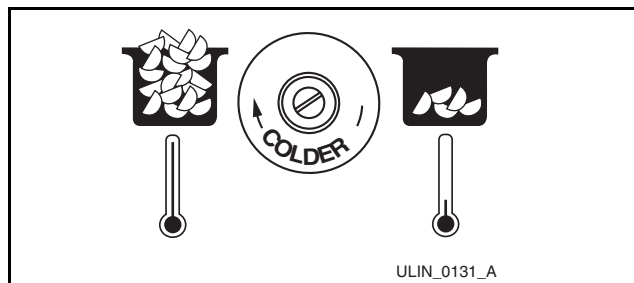


Figure 4

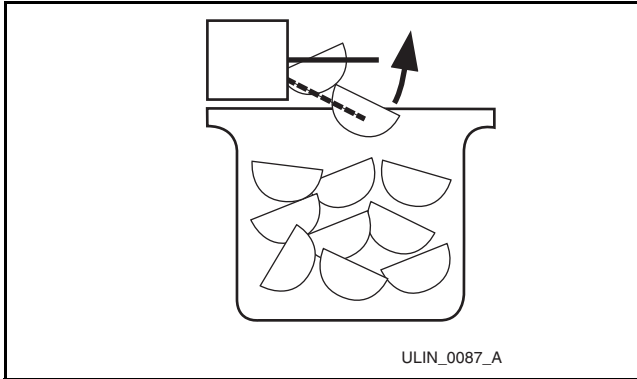
2. Turn the adjusting screw (Figure 4) using a flat tip screwdriver in a small increment clockwise for a COLDER setting (slower ice production) or counterclockwise for a WARMER setting (faster ice production).
3. Replace the front grille (one screw).

### Ice Maker

When the ice bucket is full, the ice making mechanism will shut off. However, the refrigeration system will continue to cool and maintain the cube supply.

### IMPORTANT

**Do not place cans or bottles in the ice compartment because they will freeze.**



**Figure 5**

Ice production may be interrupted by raising the bin arm into an upright and locked position (**Figure 5**). The unit will maintain temperature for ice storage.

**IMPORTANT**

**If you are not intending to use the ice maker and turn the supply valve off, it is imperative to raise the bin arm of the ice maker (Figure 5). Failure to raise the bin arm may result in damage to the water valve.**

Certain sounds are normal during the unit's operation. You may hear the compressor or fan motor, the water valve, or ice dropping into the ice bucket.

**⚠ WARNING**

**NEVER use an ice pick, knife or other sharp instrument to separate cubes. Shake the ice bucket instead.**

During periods of limited usage or high ambient temperatures, it is common for cubes to fuse together. Shake the bucket to break apart cubes. If the ice maker is not used regularly, the ice bucket should be emptied periodically to ensure fresh cubes.

It is normal for cubes to appear cloudy. This is caused by air being trapped in the water due to fast freezing. It has nothing to do with the health, taste or chemical make-up of the water. It is the same air that is in every glass of water you drink.

The ice bucket can be removed for emptying and cleaning. To remove the ice bucket, raise the bin arm and remove the bucket from the ice compartment. Use the ice bucket for ice storage only.

**Normal Operating Sounds**

All models incorporate rigid foam insulated cabinets to provide high thermal efficiency and maximum sound reduction for its internal working components. In spite of this technology, your model may make sounds that are unfamiliar.

Normal operating sounds may be more noticeable because of the unit's environment. Hard surfaces such as cabinets, wood/vinyl/tiled floors and paneled walls have a tendency to reflect normal appliance operating noises.

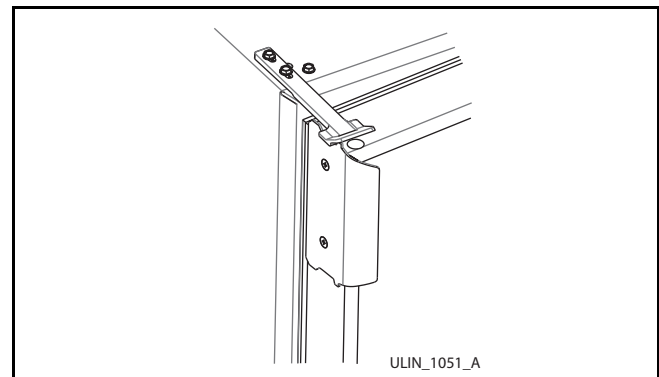
Common refrigeration components, and a brief description of the normal operating sounds they make, are listed below. **NOTE:** Your product may not contain all of the components listed.

- Compressor: The compressor makes a hum or pulsing sound that may be heard when it operates.
- Evaporator: Refrigerant flowing through an evaporator may sound like boiling liquid.
- Condenser Fan: Air moving through a condenser may be heard.
- Automatic Defrost/Drain Pan: Water may be heard dripping or running into the drain pan when the unit is in the defrost cycle.
- Ice dropping into ice bucket.

**Outdoor, Marine and RV Usage**

Some U-Line models are designed to operate in outdoor, marine and RV environments. For best performance, keep the unit out of direct sunlight.

- If the unit will be shut off for five days or more, open the door so the door latch engages the custom side handle to keep the door open (**Figure 6**).



**Figure 6**

**IMPORTANT**

**If the ambient temperature is expected to drop below 45°F, turn off and unplug unit, and drain all water from the unit to prevent freezing damage not covered by the warranty.**

- High ambient temperatures (110°F or higher) may reduce ice production.

**Storage, Vacation, Moving**

If the unit will not be used for an extended period, or otherwise stored, follow these steps completely:

## WARNING

**Electrical Shock Hazard. Disconnect power before servicing. Before operating, replace all panels. Failure to do so may result in death or electrical shock.**

1. Remove all consumable contents from the unit.
2. Disconnect power to the unit.
3. Shut off water supply to the unit at the main water source.

## IMPORTANT

- **If the ambient temperature is expected to drop below 45°F, turn off and unplug unit, and drain all water from the unit to prevent freezing damage not covered by the warranty.**
  - **The use of anti-freeze or other products of this nature is not necessary and is not recommended.**
4. Disconnect the water valve inlet and outlet lines, and allow them to drain completely.
  5. Reconnect power to the unit, and allow it to run for one hour (minimum) until any remaining ice has been ejected from the ice maker assembly.
  6. Disconnect power to the unit, dry any remaining water from the ice maker assembly, and reconnect any lines removed from the water supply valve.
  7. Disconnect the power cord from its outlet, and leave it disconnected until the unit is returned to service.
  8. Clean and dry the interior of the cabinet (See CLEANING AND MAINTENANCE: GENERAL CLEANING).
  9. During periods of non-use, the cabinet must remain open to prevent the formation of mold and mildew.

## Product Disposal

If the unit is being removed from service for disposal, check and obey all Federal, State and/or Local regulations regarding the disposal and recycling of refrigeration appliances, and follow these steps completely:

1. Disconnect power to the unit and unplug the power cord from its outlet.
2. Shut off water supply to the unit at the main water source and disconnect the supply line to the unit's water valve.

## DANGER

***RISK OF CHILD ENTRAPMENT. Before you throw away your old refrigerator or freezer, take off the doors and leave shelves in place so that children may not easily climb inside.***

3. Remove the cabinet door if equipped and secure all interior shelves to the interior of the cabinet using a heavy duty cloth or package sealing tape.

## 6 Cleaning and Maintenance

Proper cleaning and maintenance of your U-Line product will ensure efficiency, top performance and long life. The maintenance intervals listed are based on normal conditions. You may want to shorten the intervals if you have pets or other special considerations.

### Interior Cleaning (As Required)

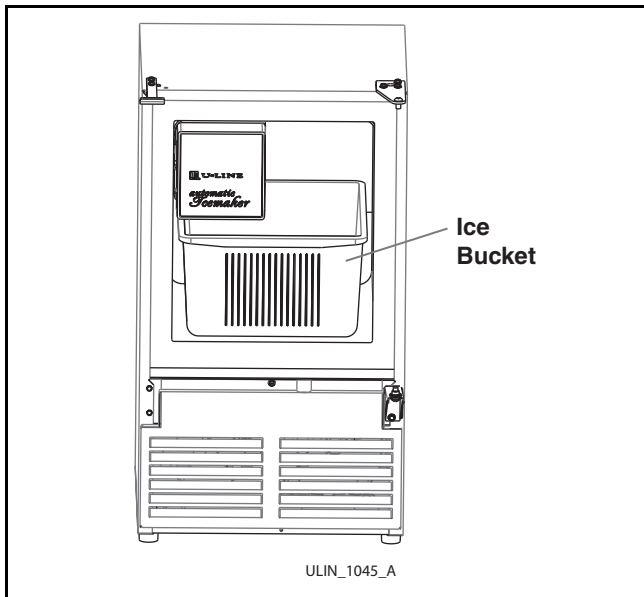
- Turn unit off. Clean the interior and all removed components using a mild non-abrasive detergent and warm water solution applied with a soft sponge or non-abrasive cloth. Rinse the interior using a soft sponge and clean water.
- **Do not use any solvent-based or abrasive cleaners. These types of cleaners may transmit taste to the interior products and damage or discolor the interior.**

### Defrosting

#### Manual Defrost Models - Every Two Months (Minimum)

**⚠ WARNING**

**DO NOT use any type of electrical heating device, ice pick, knife or other sharp instrument to defrost; this could damage the inner lining or refrigeration system and void the warranty.**



**Figure 7**

To defrost:

1. Turn unit off.
2. Remove ice bucket and discard ice.

3. Place a towel or other absorbent material on bottom of unit.
4. If you would like, place warm water inside ice bucket. Then place ice bucket back into unit and close door.
5. After approximately one hour, remove ice bucket and discard water.
6. Allow the frost to completely melt naturally. Clean the interior and ice bucket using a mild non-abrasive detergent and warm water solution applied with a soft sponge or non-abrasive cloth.

**⚠ CAUTION**

**DO NOT use any solvent-based or abrasive cleaners. They will discolor or damage the interior.**

7. Dampen a soft sponge or non-abrasive cloth in clean water and wipe down the cabinet interior and ice bucket to remove any detergent residue. Rinse the sponge or cloth in clean water and repeat as necessary until the cabinet and ice bucket are clean.

**IMPORTANT**

**DO NOT place ice bucket in dishwasher. Dishwasher will warp/discolor ice bucket and render it useless.**

### Condenser Cleaning

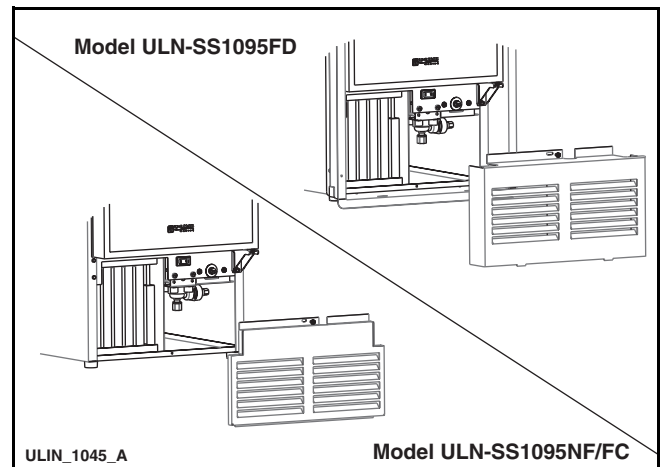
#### Interval - Every Three Months

To maintain operational efficiency, keep the front grille free of dust and lint, and clean the condenser every three months. Depending on environmental conditions, more or less frequent cleaning may be necessary.

**⚠ WARNING**

**Disconnect electric power to the unit before cleaning the condenser.**

To remove and replace the grille for access to the condenser fins, follow this procedure:



**Figure 8**



1. Disconnect electrical power to the unit.
2. With a standard blade screwdriver or 1/4" nut driver, remove the grille screw (**Figure 8**).
3. Remove the grille.

**⚠ WARNING**

**DO NOT touch the condenser fins. The condenser fins are SHARP and can be easily damaged.**

**IMPORTANT**

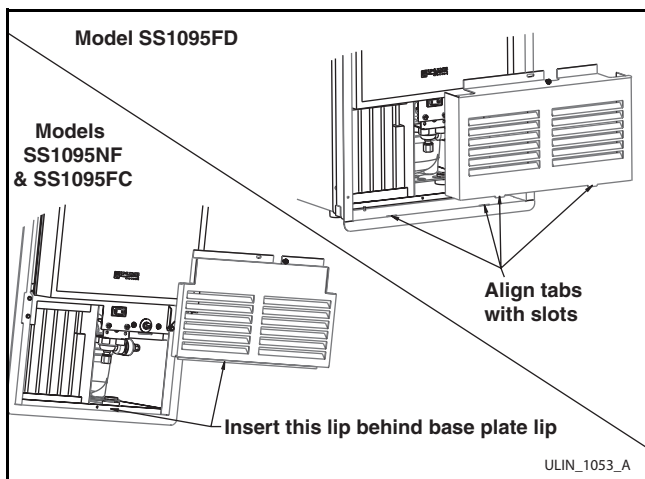
**DO NOT use any type of cleaner on the condenser unit.**

4. Clean the condenser coil using a soft brush with a "combing" action or vacuum cleaner. Do not touch the condenser coil.
5. Depending on your model, follow the instructions for installing the grille (**Figure 9**).

SS1095NF & SS1095FC models: Place the bottom lip of the grille on the inside of the base pan and swing grille up into position.

SS1095FD model: Align the tabs on the bottom of the grille with the slots in the flange and swing grille up into position.

Align the grille and cabinet screw holes (**Figure 9**).



**Figure 9**

6. Insert the grille screw (**Figure 8**) and tighten. Do not over-tighten.
7. Reconnect power to the unit.

## Ice Maker Maintenance

### Inlet Screen

#### Interval - Every Twelve Months

The solenoid valve inlet screen must be cleaned at least once each year as follows:

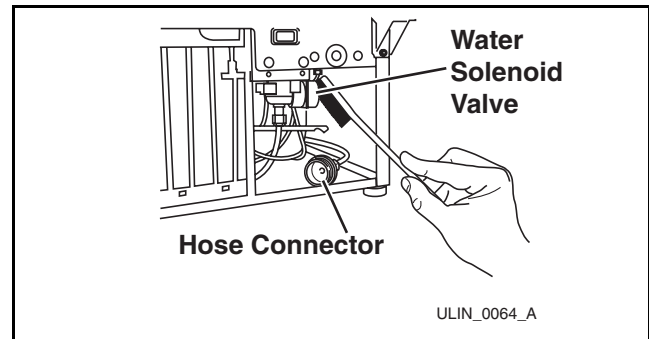
**⚠ WARNING**

**Disconnect electrical power to the unit before cleaning the solenoid valve.**

1. Disconnect electrical power to the unit.
2. Shut off the water at the main supply valve.
3. With a standard blade screwdriver or 1/4" nut driver, remove the grille screw (**Figure 8**).
4. Remove the grille.

**⚠ WARNING**

**DO NOT touch the condenser fins. The condenser fins are SHARP and can be easily damaged.**



**Figure 10**

5. Disconnect the hose connector from the water solenoid valve (**Figure 10**).
6. DO NOT remove the inlet screen from the water solenoid valve. Use a toothbrush to gently clean any sediment from the inlet screen.
7. Re-connect the water supply hose connector to the water solenoid valve (**Figure 10**). Tighten the connector securely.
8. Open the water main supply valve and check for leaks at the water hose connection. Ensure that the water supply line is not kinked.
9. Depending on your model, follow the instructions for installing the grille (**Figure 9**).

SS1095NF & SS1095FC models: Place the bottom lip of the grille on the inside of the base pan and swing grille up into position.

SS1095FD model: Align the tabs on the bottom of the grille with the slots in the flange and swing grille up into position.

Align the grille and cabinet screw holes (**Figure 8**).

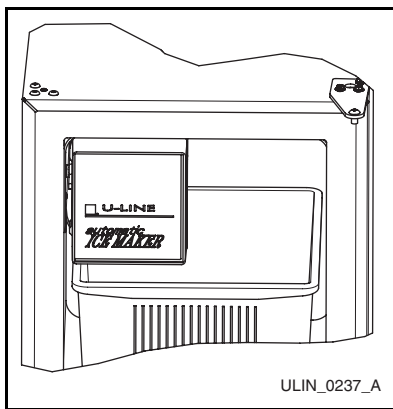
10. Insert the grille screw (**Figure 8**) and tighten. Do not over-tighten.

11. Reconnect power to the unit.

## Ice Cube Thickness Adjustment

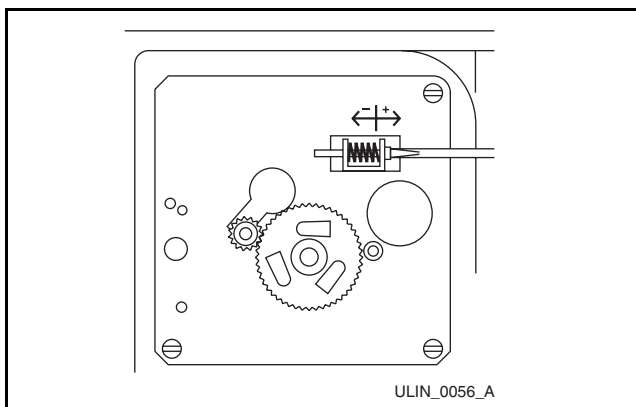
### Interval - As Required

The ice cube size may be adjusted by changing the amount of water injected into the ice maker assembly as follows:



**Figure 11**

1. Remove the ice maker assembly cover (**Figure 11**).



**Figure 12**

2. Locate the adjusting screw on the ice maker assembly control box. The adjusting screw is just below the minus (-) and plus (+) signs on the control box (**Figure 12**).

**NOTE:** Make adjustments in small increments. Too large of an adjustment could cause the unit to malfunction.

3. Turn the adjusting screw toward the minus (-) sign (clockwise) for smaller cubes or toward the plus (+) sign (counterclockwise) for larger cubes.
4. Install the ice maker assembly cover.

### IMPORTANT

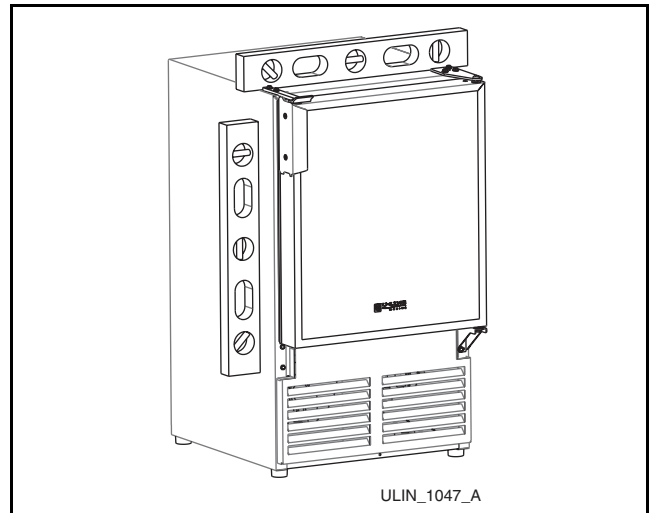
**Use only genuine U-Line replacement parts. U-Line ice maker parts are not the same as standard FSP Whirlpool parts. Using non U-Line parts can reduce ice rate, cause water to overflow from ice maker mold, damage the unit and may void the warranty.**

## Leveling

### IMPORTANT

**It is extremely important that the unit sits on a level surface, as it does not have feet levelers. If it is not level, the ice mold will not fill evenly.**

Use a level to check the levelness of the unit from front to back and from side to side. Level should be placed along top edge and side edge as shown (**Figure 13**).

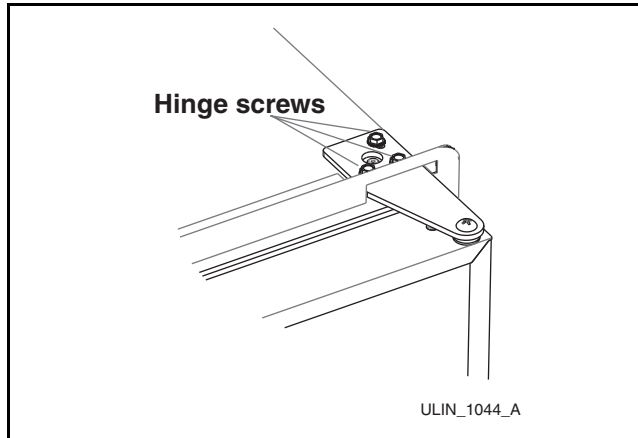


**Figure 13**

## Door Alignment Check and Adjustment

### IMPORTANT

Properly aligned, the door's gasket should be firmly in contact with the cabinet all the way around the door (no gaps). Carefully examine the door's gasket to assure that it is firmly in contact with the cabinet. Also make sure the door gasket is not pinched on the hinge side of the door.



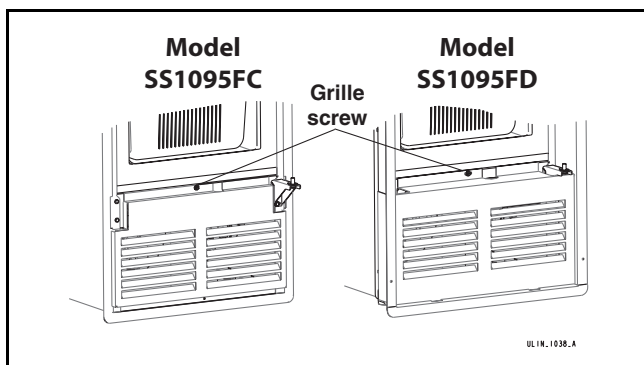
**Figure 14**

1. Loosen (do not remove) top (**Figure 14**) and bottom hinge screws.
2. Align door squarely with cabinet.
3. Make sure gasket is firmly in contact with cabinet all the way around the door (no gaps).
4. Tighten bottom hinge screws.
5. Tighten top hinge screws.

## Door Reversal

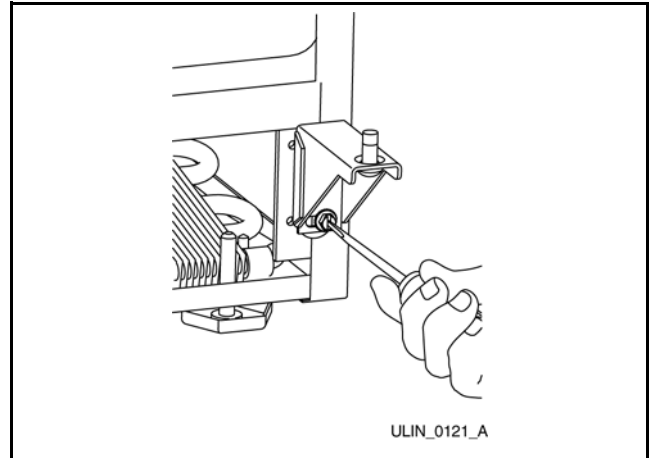
Depending upon the location of the unit, it may be desirable to change the side on which the door is mounted.

To reverse the door mounting, perform the following:



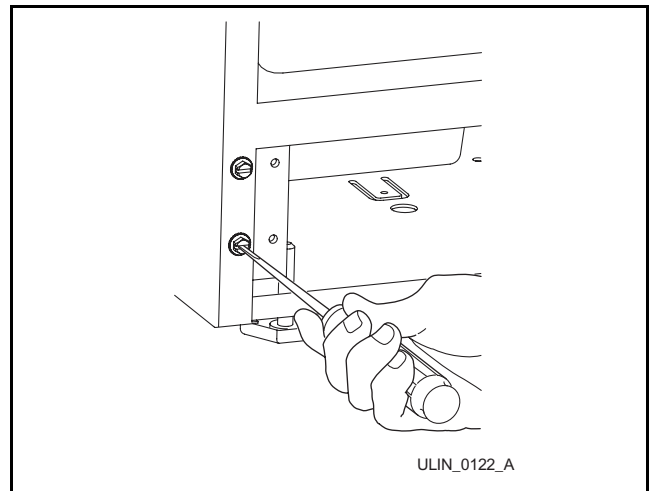
**Figure 15**

1. Remove grille (one screw) (**Figure 15**).
2. Remove top hinge from cabinet (three screws) (**Figure 14**). Hold door to keep it from falling.
3. Lift the door off the bottom hinge.



**Figure 16**

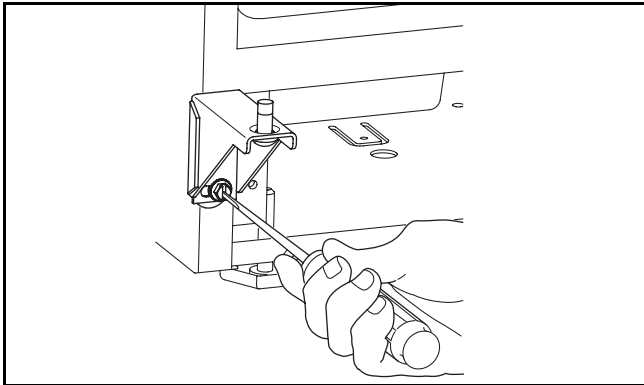
4. Remove bottom hinge from cabinet (two screws) (**Figure 16**).



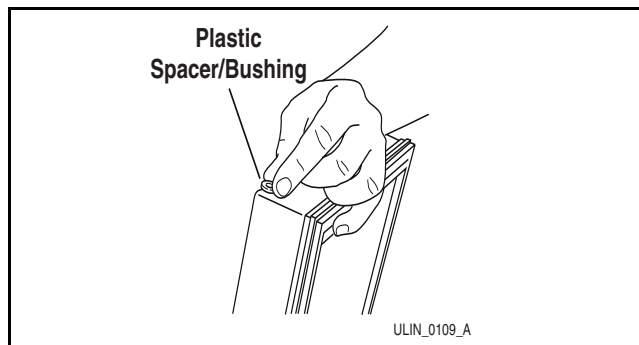
**Figure 17**

5. Remove screws on opposite side of cabinet (**Figure 17**).

6. Install hinge on opposite side, bottom of cabinet (**Figure 18**). Align hinge outer edge with cabinet before tightening screws.

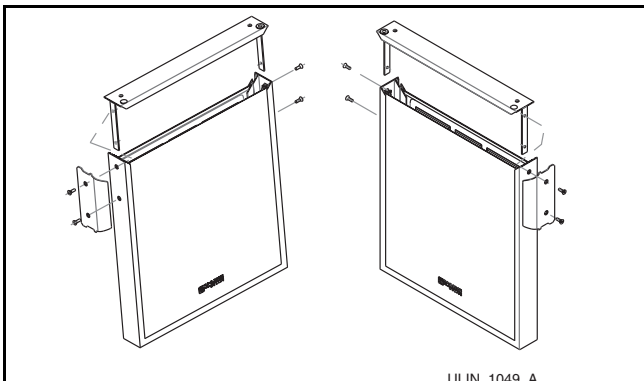


**Figure 18**

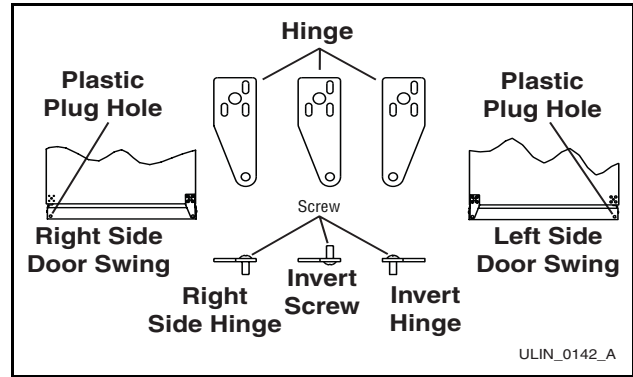


**Figure 19**

7. Relocate plastic spacer/bushing (**Figure 19**) on top and bottom of door to opposite side. Clean out bushing hole in door bottom with a screwdriver if necessary.
8. Using a Phillips screwdriver, remove the two screws holding the custom stainless handle from the original location, and remove the handle. Remove the two screws on the opposite side of the door (**Figure 20**). Do not place handle on door until you have completed steps 9 & 10.

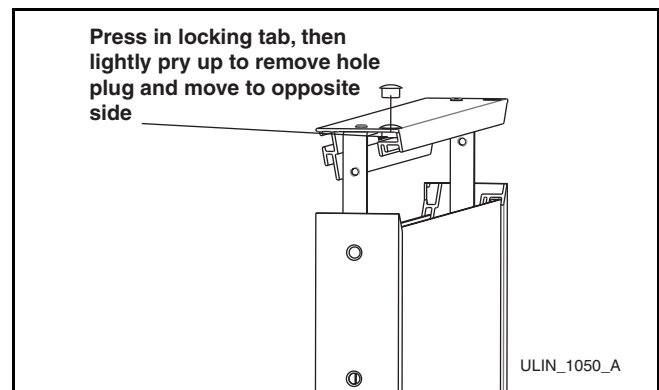


**Figure 20**



**Figure 21**

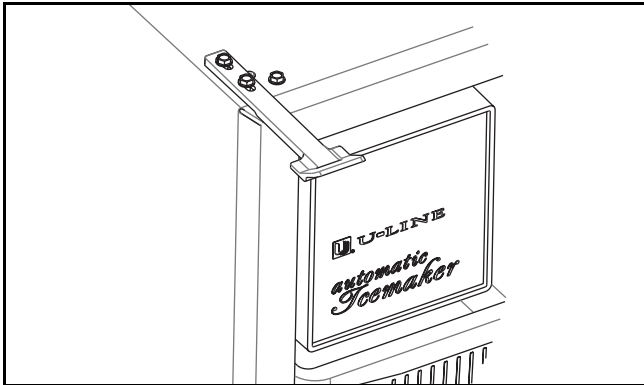
9. Remove plastic hole plug (**Figure 22**) from door handle and relocate on opposite side. Lift the handle slightly and press on the locking tab, then gently pry the hole plug out of the hole being careful not scratch the top cap.



**Figure 22**

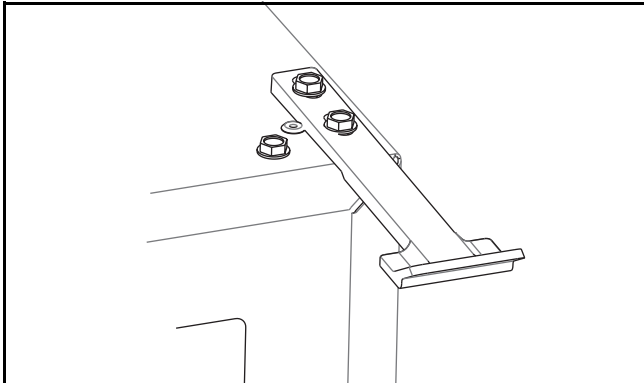
10. Relocate plastic spacer/bushing on top of door that was underneath the hinge to the opposite hole in top cap
11. Attach handle removed in step 7 to opposite side of door frame. Be sure to tighten all four screws removed in step 7.
12. Remove pivot screw from top hinge, invert screw and reinstall pivot screw in top hinge (**Figure 21**).

- Remove all three screws on the opposite side of the hinge and carefully lift off the door latch assembly (**Figure 23**).

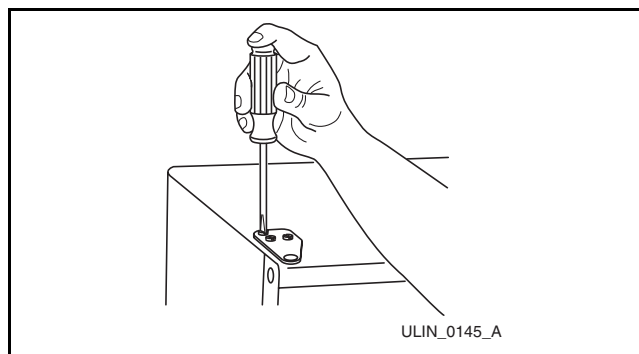


**Figure 23**

- Place the door latch assembly on opposite side of unit. Be sure to tighten all three screws securely (**Figure 24**).



- Place door on lower hinge pin. Invert and install upper hinge on door. Fasten upper hinge to unit (three screws) (**Figure 24**). Partially tighten screws.



**Figure 24**

- Adjust door to assure proper seal. Tighten upper and lower hinge screws securely.
- Replace screws in holes in bottom of unit on opposite side.
- Replace the grille.

## 7 Service

### Before Calling for Service

If your U-Line product appears to be malfunctioning, read through the OPERATION section of this guide to ensure that the function of all controls are clearly understood. If the malfunction persists, the TROUBLESHOOTING GUIDE in this guide will assist you in quickly identifying common problems, and provide information on possible causes and remedies. Most often, this will resolve the problem without the need to call for service.

### If Service is Required

If you do not understand a troubleshooting remedy, or your product needs service, contact U-Line Corporation directly. Contact information appears on the rear cover of this guide.

You will be asked for your product Model and Serial Numbers. This information should be recorded inside the front cover of this guide, following the products original purchase. It also appears on the Model and Serial number plate located on the upper right or rear wall of the interior of your product.

### Replacement Parts

When you need replacement parts, always request that genuine U-Line replacements be used. U-Line products have been designed and engineered using components that work efficiently, and provide superior service life and performance. The use of aftermarket parts or components may affect the safety, operation, performance or durability of your product, and may also void its warranty.

## 8 Troubleshooting Guide



**ELECTROCUTION HAZARD! Never attempt to repair or perform maintenance on the unit until the main electrical power has been disconnected.**

### Troubleshooting - What to check when problems occur:

PROBLEM	POSSIBLE CAUSE	REMEDY
The unit frosts up.	Unit is manual defrost model.	Defrost unit manually (See MAINTENANCE; DEFROSTING).
	Door gasket not sealing properly	Adjust door (See MAINTENANCE; DOOR ALIGN, ADJUST, REVERSE).
	High ambient temperatures or humidity	Defrost unit manually (See MAINTENANCE; DEFROSTING).
	Door left open	Make sure door is closed.
Water is leaking out the back of the unit.	Water supply connection leaking	Tighten fitting as required.
Ice cubes sticking together	Door gasket not sealing properly	Adjust door (See MAINTENANCE; DOOR ALIGN, ADJUST, REVERSE).
	Infrequent use of cubes	Break apart cubes.
Noise during operation	Copper water supply tubing contacting internal components	Carefully bend tubing away from cabinet and components.
	Certain sounds are normal.	Soft sounds from the fan and water/dropping sounds from the ice maker will be heard.
	Fan blade touching obstruction (wiring, foam insulation, etc.)	Remove obstruction.
No ice	Bin arm locked in upright position	Lower bin arm.
	No water to unit	Turn on water or contact plumber.
Not enough ice	Control set too cold	Adjust control to a warmer setting (See OPERATION).
	Ice cube size too large	Set cube size smaller (See MAINTENANCE; ICE MAKER; ICE CUBE THICKNESS ADJUST).
	Dirty condenser coils	Clean condenser (See MAINTENANCE; CONDENSER CLEANING).
Water leaks into ice bucket.	Water level set too high	Set cube size smaller (See MAINTENANCE; ICE MAKER; ICE CUBE THICKNESS ADJUST).

## U-LINE CORPORATION LIMITED WARRANTY

U-Line Corporation warrants each U-Line product to be free from defects in materials and workmanship for a period of one year from the date of purchase; and warrants the sealed system (consisting of the compressor, the condenser, the evaporator, the hot gas bypass valve, the dryer and the connecting tubing) in each U-Line product to be free from defects in materials and workmanship for a period of five years from the date of purchase. During the initial one-year warranty period for all U-Line products U-Line shall: (1) at U-Lines option, repair any product or replace any part of a product that breaches this warranty; and (2) for all Marine, RV and Domestic U-Line products sold and serviced in the United States (including Alaska and Hawaii) and Canada, U-Line shall cover the labor costs incurred in connection with the replacement of any defective part. During years two through five of the warranty period for the sealed system, U-Line shall: (1) repair or replace any part of the sealed system that breaches this warranty; and (2) for all Marine, RV and Domestic U-Line products sold and serviced in the United States (including Alaska and Hawaii) and Canada, U-Line shall cover the labor costs incurred in connection with the replacement of any defective part of the sealed system. All other charges, including transportation charges for replacements under this warranty and labor costs not specifically covered by this warranty, shall be borne by you. This warranty is extended only to the original purchaser of the U-Line product. The Registration Card included with the product should be promptly completed by you and mailed back to U-Line or you can register on-line at [www.U-LineService.com](http://www.U-LineService.com).

The following are excluded from this limited warranty: installation charges; damages caused by disasters or acts of God, such as fire, floods, wind and lightening; damages incurred or resulting from shipping, improper installation, unauthorized modification, or misuse/abuse of the product; customer education calls; food loss/spoilage; door and water level adjustments (except during the first 90 days from the date of purchase); defrosting the product; adjusting the controls; door reversal; or cleaning the condenser.

If a product defect is discovered during the applicable warranty period, you must promptly notify either the dealer from whom you purchased the product or U-Line at P.O. Box 245040, Milwaukee, Wisconsin 53224 or at 414-354-0300. In no event shall such notification be received later than 30 days after the expiration of the applicable warranty period. U-Line may require that defective parts be returned, at your expense, to U-Lines factory in Milwaukee, Wisconsin, for inspection. Any action by you for breach of warranty must be commenced within one year after the expiration of the applicable warranty period.

**This limited warranty is in lieu of any other warranty, express or implied, including, but not limited to any implied warranty of merchantability or fitness for a particular purpose; provided however, that to the extent required by law, implied warranties are included but do not extend beyond the duration of the express warranty first set forth above. U-Lines sole liability and your exclusive remedy under this warranty is set forth in the initial paragraph above. U-Line shall have no liability whatsoever for any incidental, consequential or special damages arising from the sale, use or installation of the product or from any other cause whatsoever, whether based on warranty (express or implied) or otherwise based on contract, tort or any other theory of liability.**

Some states do not allow limitations on how long an implied warranty lasts or the exclusion or limitation of incidental or consequential damages, so the above limitations may not apply to you. This warranty gives you specific legal rights, and you may also have other rights which vary from state to state.



**For General Inquiries:**

P.O. Box 245040  
Milwaukee, Wisconsin  
53224-9540 U.S.A.  
Phone (800) 779-2547  
FAX (414) 354-5696  
www.U-Line.com

**For Service and Parts Assistance:**

Phone (800) 779-2547  
(414) 354-0300  
FAX (414) 354-5696  
Email:  
OnLineService@U-Line.com  
www.U-LineService.com  
E-mail:  
OnlineParts@u-line.com



For more than four decades, U-Line has distinguished itself as the leader in built-in under-counter ice making, refrigeration and wine storage appliances.

An INSTALLATION MANUAL for your unit, providing complete installation information, is available for download at [www.U-Line.com](http://www.U-Line.com). Information for custom panel inserts per model, including panel size, and instructions are available by visiting [www.U-Line.com](http://www.U-Line.com).

When you need replacement parts, always request genuine U-Line replacements be used. Visit [www.U-Line.com](http://www.U-Line.com) to locate a parts distributor in your area.

*Schelon Series / Origins Series / MARINE SERIES*

U-Line Corporation, located in Milwaukee, WI, is a family operated manufacturer of built-in undercounter ice makers, Combo® ice maker/refrigerators, Wine Captain® wine storage units, refrigerators, refrigerated drawers and refrigerator/freezers.