

**2000 SERIES
REFRIGERATOR / FREEZER
BEVERAGE CENTERS
WINE CAPTAIN® Models**



2175WCC



2175BEVC



2115WC



2175RF



2115R

I Table of Contents

Safety Precautions	
Safety Alert Definitions.....	1
General Precautions.....	1
Inspect & Plan	
Product Registration.....	2
Models Covered.....	2
Tools / Material Required.....	2
Exterior Cleaning.....	2
Black and White Models:.....	2
Stainless Models:.....	2
Prepare Site	
Electrical Specifications.....	3
Cut-Out Dimensions.....	3
2115 Series.....	3
2175 Series.....	3
2275 Series.....	3
Product Dimensions	
2115R 2115WC(OL) & 2175RC Series.....	4
2175BEV & 2175WC 2275ZWC Series.....	5
Door Swing Dimensions	
Other Site Requirements.....	6
Side-By-Side Installation.....	6
Power Supply.....	6
Environmental Requirements.....	6
Self-Closing Doors	
Door Alignment and Adjustment.....	7
Door Reversability.....	7
Reversing the door.....	7
Wood Trim Finishing	
Staining and final finish application:.....	9
Final finish-only application:.....	9
Door Panel Installation	
Custom 1/4" Thick Door Panel Insert.....	10
Door Panel Preparation.....	10
Panel Dimensions.....	10
Door Panel Installation.....	10
Overlay Frame	
Frame Preparation.....	11
Prepare The New Overlay Panel.....	12
Attaching the overlay panel.....	12
Assembling Door To Cabinet.....	13
Installation	
Leveling Information.....	14
Installation.....	14
Relocating the Shelves.....	14
Installation Troubleshooting.....	14

2 Safety Precautions

IMPORTANT

- **PLEASE READ** all instructions before installing, operating, or servicing the appliance.
- Proper installation procedures must be followed when completing an installation or relocation of a unit. Consult the installation guide before any installation begins. U-Line contact information appears on the rear cover of this guide.
- This unit requires connection to a dedicated 15 Amp grounded (three-prong), polarized receptacle, installed by a qualified electrician, compliant with applicable electrical codes.

Safety Alert Definitions

Throughout this guide are safety items labeled with a Danger, Warning or Caution based on the risk type:

DANGER

Danger means that failure to follow this safety statement will result in severe personal injury or death.

WARNING

Warning means that failure to follow this safety statement could result in serious personal injury, property or equipment damage.

CAUTION

Caution means that failure to follow this safety statement may result in minor or moderate personal injury, property or equipment damage.

General Precautions

Use this appliance for its intended purpose only and follow these general precautions with those listed throughout this guide:

DANGER

RISK OF CHILD ENTRAPMENT. Before you throw away your old refrigerator or freezer, take off the doors and leave shelves in place so children may not easily climb inside.

WARNING

SHOCK HAZARD - Electrical Grounding Required.

- Never attempt to repair or perform maintenance on the unit until the electricity has been disconnected.
- Never remove the round grounding prong from the plug and never use a two-prong grounding adaptor.
- Altering, cutting of power cord, removal of power cord, removal of power plug, or direct wiring can cause serious injury, fire and or loss of property and or life, and will void the warranty.
- Never use an extension cord to connect power to the unit.
- Always keep your working area dry.

WARNING

Install provided Anti-Tip kit on all Wine Captain Models and Beverage Centers. Serious personal injury could occur.

CAUTION

- Use care when moving and handling the unit. Use gloves to prevent personal injury from sharp edges.
- If your model requires defrosting, **DO NOT** use an ice pick or other sharp instrument to help speed up defrosting. These instruments can puncture the inner lining or damage the cooling unit. **DO NOT** use any type of heater to defrost. Using a heater to speed up defrosting can cause personal injury and damage to the inner lining.

IMPORTANT

- Do not lift unit by door handle.
- Never install or operate the unit behind closed doors. Be sure front grille is free of obstruction. Obstructing free airflow can cause the unit to malfunction and will void the warranty.
- Failure to clean the condenser every six months can cause the unit to malfunction. This could void the warranty.
- Allow unit temperature to stabilize for 24 hours before use.
- Do not Block any internal Fans

Use only genuine U-Line replacement parts. Imitation parts can damage the unit, affect its operation or performance and may void the warranty.



Product Registration

You have received a carton containing your U-Line Refrigerator, Refrigerator Freezer, Beverage Center or Wine Captain® unit with a package inside containing a Use and Care Guide, a Product Registration Card, and a water line kit. Please complete and mail the Product Registration Card or register online at www.U-LineService.com. Once your unit is installed, keep the Use and Care Guide and this Installation Guide in a safe place for future reference.

Models Covered

This installation guide covers the following models.

U-2115RB-00	U-2175RCGS-01
U-2115RS-00	U-2175RCS-00
U-2115RS-01	U-2175RCS-01
U-2115RSOD-00	U-2175RCW-00
U-2115RSOD-01	U-2175RFB-00
U-2115RW-00	U-21575RFS-01
U-2115WCOL-00	U-2175RFW-00
U-2115WCS-00	U-2175RSOD-00
U-2115WCS-01	U-2175RSOD-01
U-2175BEVCOL-00	U-2175WCCOL-00
U-2175BEVCS-00	U-2175WCCS-00
U-2175BEVCS-01	U-2175WCCS-01
U-2175RCB-00	U-2275ZWCOL-00
U-2175RCGOL-00	U-2275ZWCS-00
U-2175RCGS-00	U-2275ZWCS-01

Tools / Material Required

- Screwdrivers — slotted and Phillips head
(Models ending in OL Only)
- 3/4" overlay frame material
- Cutting Tools
- Drill & Drill Bits
(Optional Door Panel on 2115R(F) or 2175R(F) Black or White Models)
- 1/4" thick door panel material
- Cutting Tools
(Optional WC & BEV Wood Trim Finishing)
- Minwax® Water-Based Wood Stain
- Minwax® Polycrylic® Protective Finish
- Foam Applicator and / or Synthetic Bristle Brush
- 220 grit Sandpaper
- 280 grit Sandpaper
(Optional Overlay kits for Non-OL models)

Model	Panel Kit (Black)	Panel Kit (White)
2115R	U-OL2115B	U-OL2115W
2175R	U-OL2175B	U-OL2175W
2175RF	U-OL2175B	U-OL2175W

Exterior Cleaning

Black and White Models:

- Black and White surfaces may be cleaned with a mild detergent and warm water solution. Do not use solvent-based or abrasive cleaners. Use a soft sponge and rinse with clean water. Wipe with a soft, clean towel to prevent water spotting.

Stainless Models:

- Stainless door panels, handles and frames can discolor when exposed to chlorine gas, pool chemicals, salt water or cleaners with bleach.
- Keep your Stainless unit looking new by cleaning with a good quality all-in-one stainless steel cleaner/polish on a monthly basis. For best results use Claire Stainless Steel Polish and Cleaner, which can be purchased from U-Line Corporation (Part numbers 173348).
- **Do not clean with steel wool or abrasive pads.**
- **Do not use cleaners that are not specifically intended for stainless steel on stainless surfaces (this includes glass, tile and counter cleaners).**
- If any surface discolors or rust appears, clean it quickly with Bon-Ami or Barkeepers Friend Cleanser and a non-abrasive cloth. Always clean in the direction of the grain. Always finish this process with Claire Stainless Steel Polish and Cleaner or comparable product to prevent further problems.



Rust that is allowed to linger can penetrate into the surface of the stainless steel and complete removal of the rust may not be possible.

4 Prepare Site

Your U-Line product has been designed for either free-standing or built-in installation. When built-in, your unit does not require additional air space for top, sides, or rear. However, the front grille must NOT be obstructed and clearance is required for an electrical connection in the rear.

IMPORTANT

- Unit can NOT be installed behind a closed cabinet door.

Electrical Specifications

⚠ WARNING

SHOCK HAZARD — Electrical Grounding Required.

- Never remove the round grounding prong from the plug and never use a two-prong grounding adapter.
- Never use an extension cord to connect power to the unit.

IMPORTANT

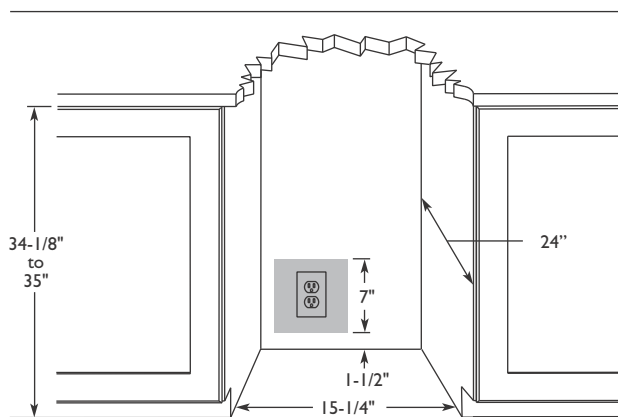
Electrical installation must observe all state and local codes. This unit requires connection to a grounded (three-prong), polarized receptacle that has been placed by a qualified electrician.

The unit requires a grounded and polarized 115 VAC, 60 Hz, 15A power supply (normal household current). An individual, properly grounded branch circuit or circuit breaker is recommended. GFCI (ground fault circuit interrupter) is usually not required for fixed location appliances and is not recommended for your unit because a GFCI could be prone to nuisance tripping. However, be sure to consult your local codes.

See below for recommended receptacle location

Cut-Out Dimensions

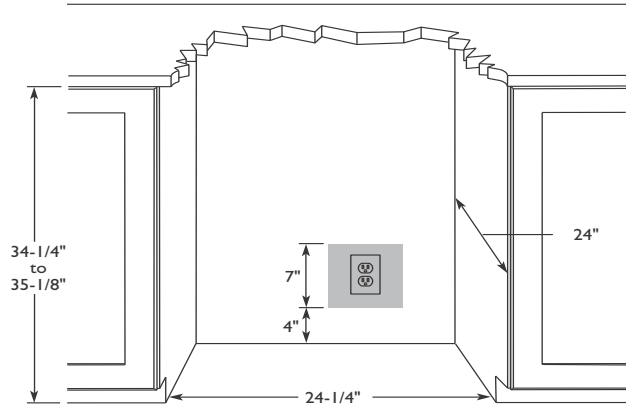
2115 Series



Follow the cut-out drawing. The 15-1/4" width allows 1/4" for ease in installation and removal of the unit. 24" is the cabinet depth in most installations.

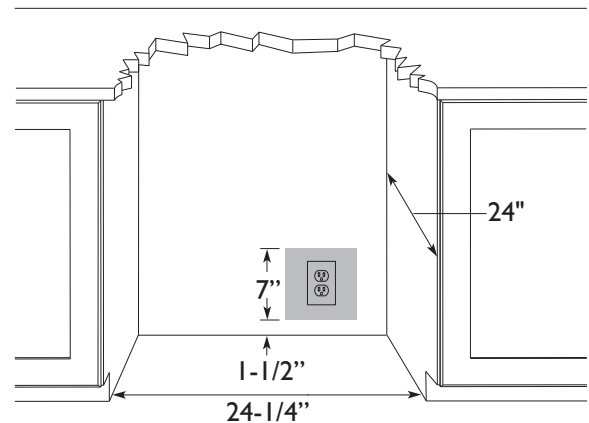
2175 Series

Follow the cut-out drawing. The 24-1/4" width allows 1/4" for ease in installation and removal of the unit. 24" is the cabinet depth in most installations.



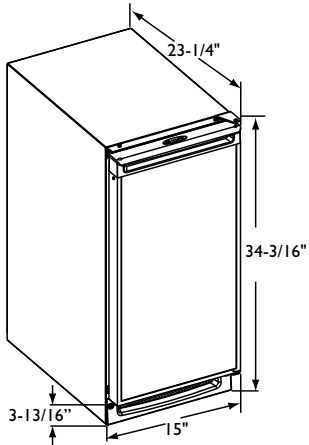
2275 Series

Follow the cut-out drawing. The 24-1/4" width allows 1/4" for ease in installation and removal of the unit. 24" is the cabinet depth in most installations.

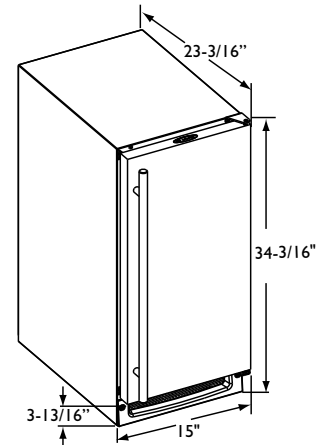


5 Product Dimensions

2115R Series

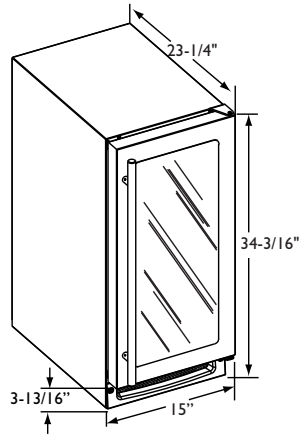


2115R Black / White Models

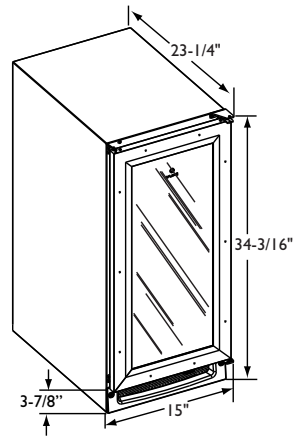


2115RS Stainless & Outdoor Models

2115WC / 2115WCOL Series

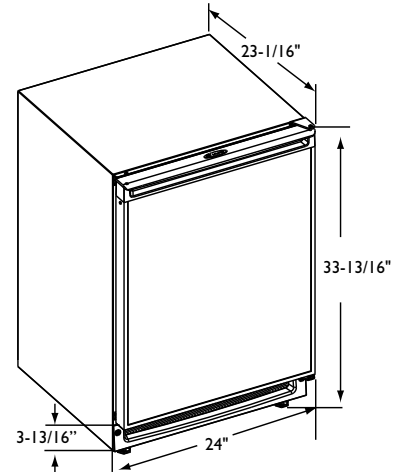


2115WCS Stainless Steel Models

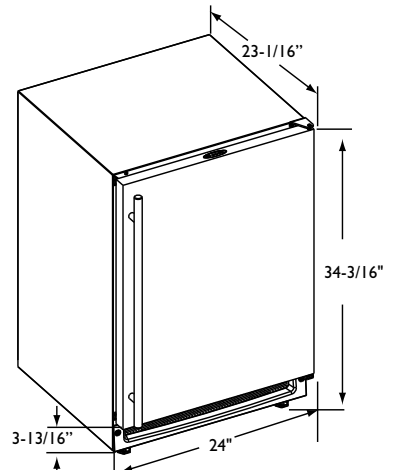


2115WCOL Wood Overlay Models
*Not Including Wood Overlay Panel

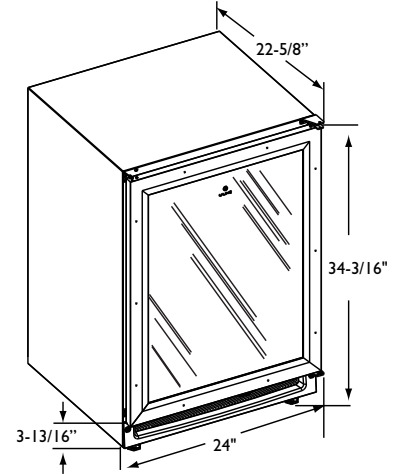
21175RC/RCG/RF Series



2175R(C)(F) Black and White Models

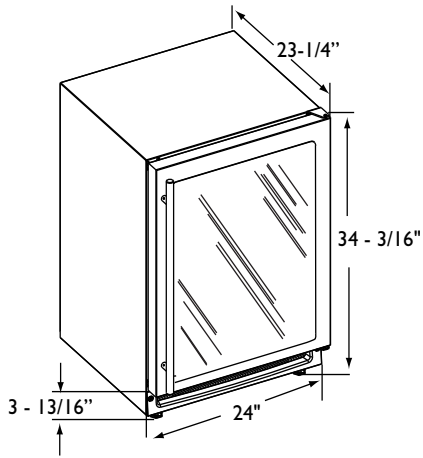


2175R(C)(F)(S)(G) Stainless & Out Door Models



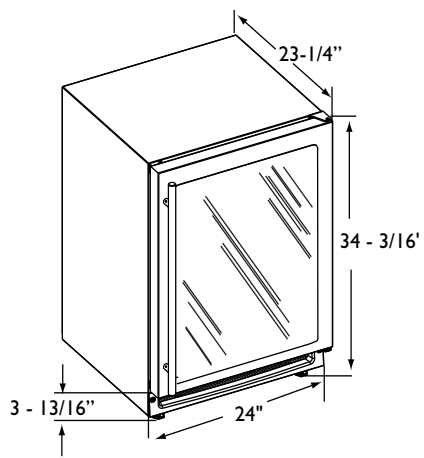
2175R(C)(F)S Overlay Models

2175BEVC Series



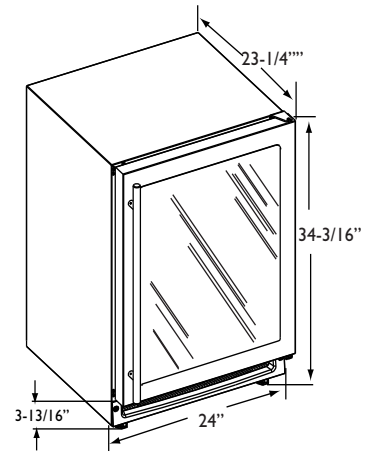
2175BEVCS Stainless Steel Models

2175WCC Series

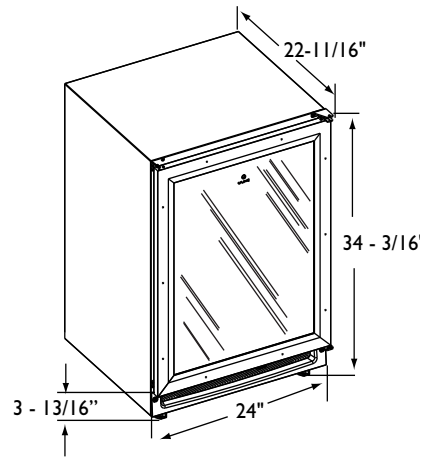


2175WCCS Stainless Steel Models

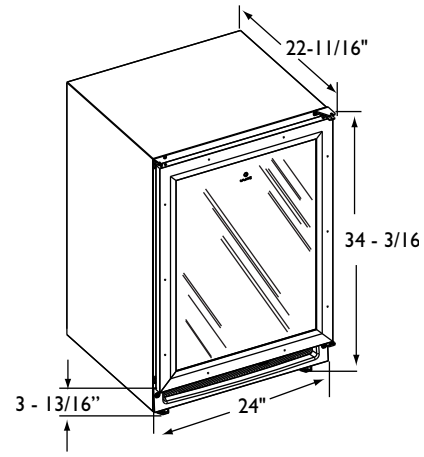
2275ZWC Series



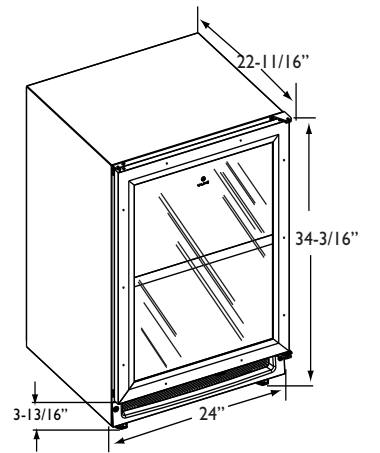
2275ZWCS Stainless Steel Model



2175BEVCOL Wood Overlay Models



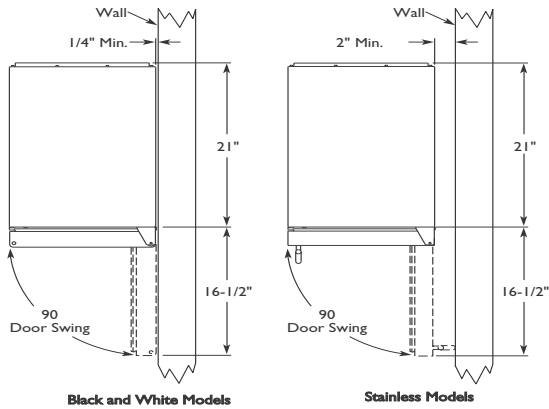
2175WCCOL Wood Overlay Models



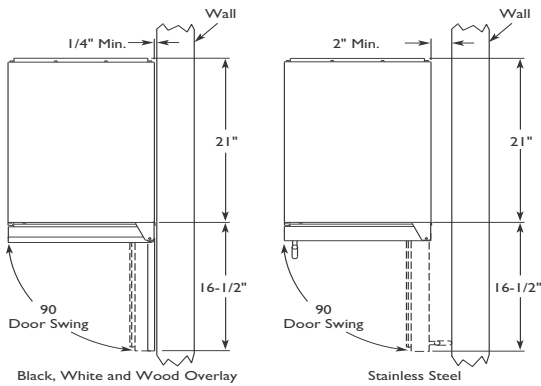
2275ZWCOL Wood Overlay Model

6 Door Swing Dimensions

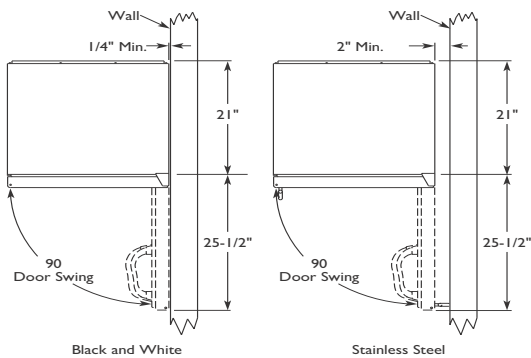
2115R Models



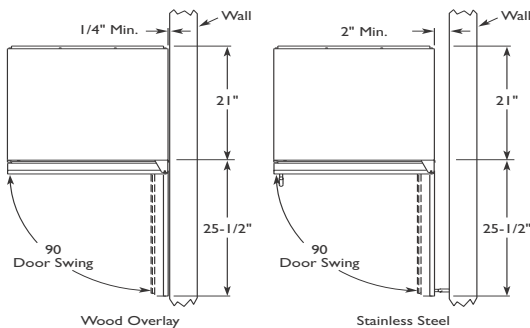
2115WC Models



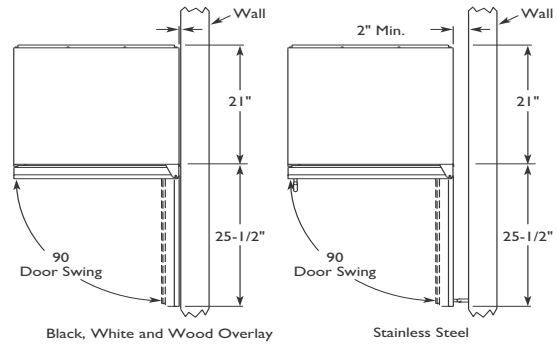
2175R(F) & 2275WC Models



2175BEV



2175WC Models



Units have a zero clearance for the door to open 90°. Stainless Steel models require 2 1/8" door clearance to accommodate the handle if installed next to a wall.

Other Site Requirements

Side-By-Side Installation

For a complete refreshment center, install two units side by side:

Cut-out width for a side-by-side installation is the total of the widths listed under Cut-Out Dimensions in each unit's Installation Guide.

No trim kit is required. However, 1/4-inch space needs to be maintained between the units to ensure unobstructed door swing.

Units must operate from separate, properly grounded electrical receptacles placed according to each unit's Electrical Specifications Requirements

Power Supply

The unit requires a grounded and polarized 115 VAC, 60 Hz, 15A circuit (normal household current). See Electrical Specifications.

Environmental Requirements

The units are designed to operate between 50°F (10°C) and 100°F (37°C). High ambient temperatures (100°F [37°C] or higher) may reduce the unit's ability to reach low temperatures and may also reduce the ice production rate for those models with icemakers.

If the ambient temperature is expected to drop below 45°F (7°C), drain all water from the unit to prevent freezing damage, which is not covered by the warranty.

For best performance, keep the unit out of direct sunlight and away from heat generating equipment.

For best performance and life outdoors, place under a counter or provide shelter of some kind.

In climates where high humidity and dew points are present, condensation may appear on outside surfaces. This is considered normal. The condensation will evaporate when the humidity drops.

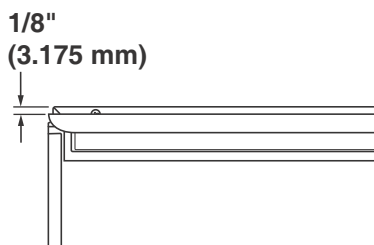
8 Self-Closing Doors

Door Alignment and Adjustment

Align and adjust the door if it is not level, or is not sealing properly. If the door is not sealed the unit may not cool properly, or excessive frost may form in the interior.

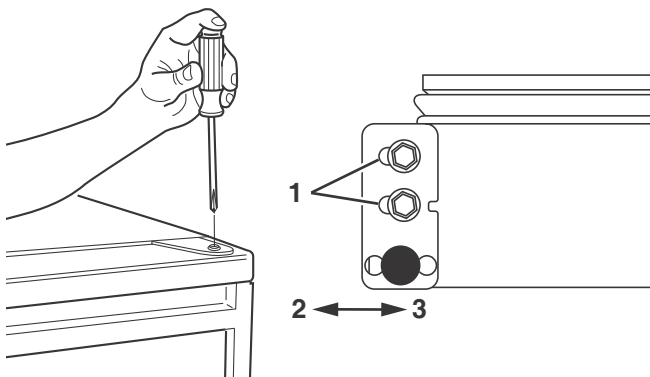
IMPORTANT

- Properly aligned, the door's gasket should be firmly in contact with the cabinet all the way around the door (no gaps). Carefully examine the door's gasket to ensure that it is firmly in contact with the cabinet. Also make sure the door gasket is not pinched on the hinge side of the door.
- The door will not be flush with the top of the cabinet. The top edge of the door will be 1/8 in. (3.175 mm) below the cabinet top.

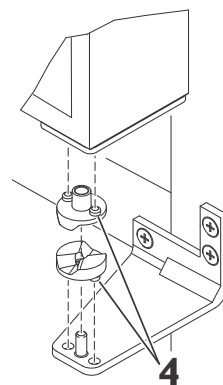


To align and adjust the door:

1. Compare the top edge of the door (opposite the hinges) to the top edge of the cabinet and note the type (up or down) of adjustment needed.



2. Remove the top hinge pivot pin with a Phillips screwdriver and lift door off bottom hinge pin. Be careful not to lose the door closer insert sets.
3. Turn the door upside down and inspect the hinge plate mounting holes. The plate has slotted mounting holes. Loosen but do not remove the two hinge plate screws(1).
4. If door edge opposite the hinges needs to move up, move plate toward outside of door(2). If door edge needs to move down, move plate toward inside of door(3). Repeat until top edge of door is parallel with top of cabinet and tighten screws (1) securely.



5. After adjustment is complete, remove the door closers from the bottom hinge, clean thoroughly and apply petroleum jelly to the mating surfaces of the closers. Be sure that pins on closers align with holes in the door and bottom cabinet hinge plates. Mount door and install top hinge pivot pin.

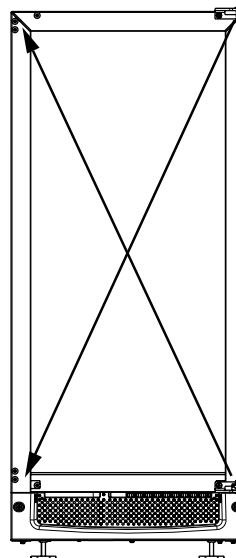
Door Reversability

Location of the unit may make it desirable to mount the door on the opposite side of the cabinet.

Models with black and white doors are field-reversible.

Stainless steel models must be ordered right- or left-hand hinged.

Reversing the door

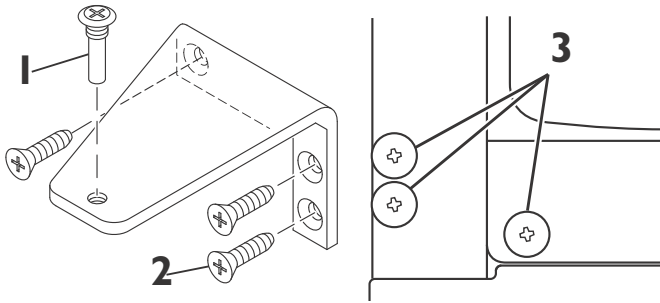


The Hinge hardware will be removed and reinstalled on the opposite side of the cabinet.

The top hinge hardware will be reinstalled on the bottom of the opposite side of the cabinet.

The bottom hinge hardware will be reinstalled on the top of the opposite side of the cabinet.

To reverse the door:



Remove door:

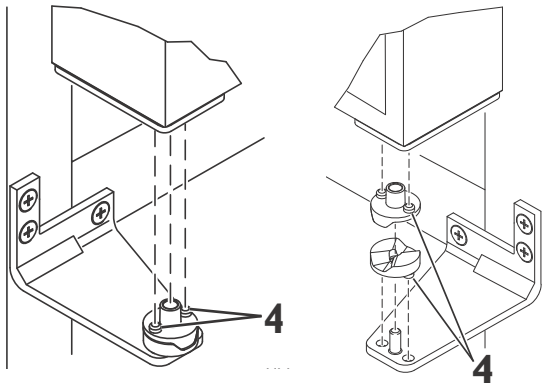
1. Hold door to keep it from falling.
2. Remove hinge screw pin (1) from top hinge using a Phillips screwdriver.
3. Remove door by tilting forward and lifting door off bottom hinge closer inserts.
4. Reinstall hinge screw pin (1) into top hinge using a Phillips screwdriver.

Remove hole plugs.

Remove plastic screw plugs (three each, top and bottom) (3) from new hinge location. Save for reinstallation later.

Remove existing top hinge.

Remove existing top hinge (three screws) (2).



Reinstall hinge to bottom opposite.

1. Install the hinge just removed from the top to the **BOTTOM** opposite side of the cabinet (three screws) (2).
2. Remove the two door closer inserts (4) from the existing bottom hinge.
3. Install door closer inserts as shown on the new bottom hinge (4).

Remove existing bottom hinge.

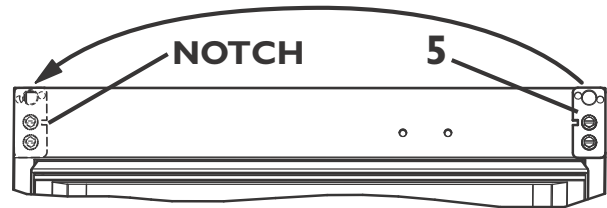
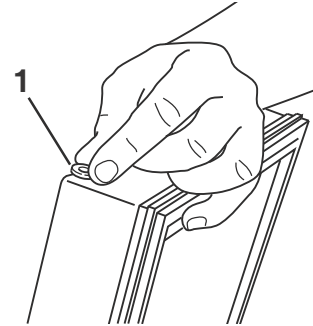
Remove the existing bottom hinge (three screws) (2).

Reinstall hinge to top opposite.

Install the hinge just removed from the bottom to the **TOP** opposite side of the cabinet (three screws) (2).

Reinstall Hole Plugs.

Install plastic screw plugs (three each, top and bottom) (3) into holes where hinge hardware was removed.



Prepare door for reinstallation.

1. Remove plastic hole plug from top of door handle and reinstall on opposite side.
2. With bottom of door facing up, remove pivot plate (5) (two screws).
3. Flip over and install pivot plate on opposite side of door. Ensure notch in plate faces center.

Install Door.

1. Hold door upright and tilted forward.
2. Lift door on to bottom hinge closer inserts.
3. Tilt door forward into position.
4. Hold door to keep it from falling.
5. Reinstall hinge screw pin (1) into top hinge using a Phillips screwdriver.

Align and adjust the door:

Align and adjust the door, see **DOOR ALIGNMENT AND ADJUSTMENT** above.

8 Wood Trim Finishing

WARNING

To prevent permanent damage to the inner liner of the unit, the wire rack wood trim **MUST** be removed from the unit for staining and/or finishing. Allow stain/finish to dry thoroughly (at least 24 hours) in accordance with the stain/finish manufacturer's instructions, prior to re-installing the wood trim inside the cabinet of the unit. Failure to do so may cause the inner liner of the unit to have a permanent odor, which is not covered by the warranty.

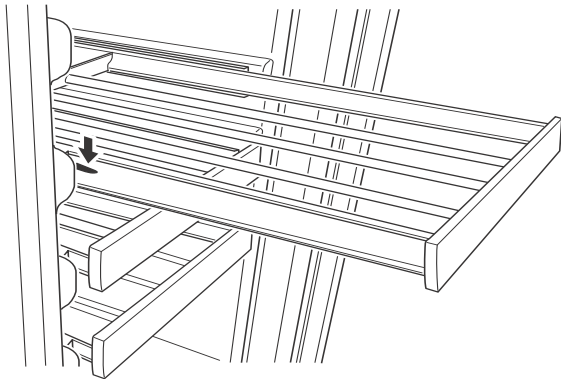
IMPORTANT

- Your model may contain an electronic display panel in the lowest level trim piece. After removing the trim screws and gently pulling the trim from its location, a wiring harness connector will become visible. Unplug the connector and remove the trim from the interior.
- Glass in door is tinted. Stain may look darker when door is closed.

Removing Wire Racks

1. Grasp the end of the rack, and gently slide it out until it stops.
2. Remove any bottles stored on the rack.
3. Press the left rack release lever (see above) down, and at the same time, lift the corresponding right rack release lever up, and pull the rack out until it is free of the tracks and the cabinet.
4. Do not remove the track side rails from the cabinet.

To insert a rack in the cabinet:



1. Align the left and right rack channels with the tracks in the cabinet, and ensuring an even track engagement on both sides, gently push the rack into the cabinet until it stops.

Before reloading the rack, ensure proper operation of the travel stops in the left and right track rails by pulling the rack out gently until it completely stops.

Staining and final finish application:

IMPORTANT

DO NOT use oil-based stains on wood trim. Vapors from oil-based stains will permanently penetrate the liner and will not dissipate over time.

1. Remove all screws securing wood trim to interior parts, and remove the trim from the cabinet interior.
2. Lightly sand and clean wood.
3. Apply Minwax® Water-Based Wood Stain to wood with a synthetic bristle brush or a foam applicator. Allow stain to penetrate about three minutes. Before the stain is dry, take a stain dampened rag and remove any excess stain remaining. Wipe towards the grain with medium pressure to achieve the desired stain color.
4. After two hours, repeat step 2. This will even out the color of the wood.
5. Allow stain to dry for a minimum of three hours before applying the final finish.
6. If desired, sand the wood with very fine sandpaper to smooth the surface after staining.
7. Remove all dust from the wood, and apply one coat of Minwax® Polycrylic® Protective Finish using a synthetic bristle brush to the wood. Apply this finish in a thin coat following towards the grain. Apply the finish to the back and sides of the wood first, and allow it to dry for two hours. Apply the finish to the front side of the wood next, and allow it to dry for two hours. Sand with very fine 220 grit sandpaper. Apply two more coats of finish in the same manner, but do not sand the trim after applying the final third coat.
8. Allow the final coat to dry for 24 hours before reinstalling the trim to the cabinet interior parts.

Final finish-only application:

1. Remove all screws securing wood trim to interior parts, and remove the trim.
2. Lightly scuff sand the wood trim with 280 or finer grit sandpaper.
3. Remove sanding dust with a clean, dry cloth.
4. The factory-applied seal is compatible with almost all finishes. A low odor, water clean up, quick-drying finish such as Minwax® Polycrylic® Protective Finish is recommended (Minwax® Polycrylic® is an ultra fast-drying water-based finish). Apply a thin coat of a clear, protective finish, following the container label directions.
5. Lightly sand and reapply if desired.

Allow the final coat to dry for 24 hours before reinstalling the trim to the cabinet interior parts.

9 Door Panel Installation

Custom 1/4" Thick Door Panel Insert

Door Panel Preparation

A custom door panel may be inserted into the doorframe. Custom door panels can be flat or raised, as long as the maximum panel thickness, when inserted into the door reveal (channel), is no more than 1/4" thick. For raised panels, the depth of the reveal is 1/4" on all four sides.

IMPORTANT

Raised panels will reduce the door's 90° swing/zero clearance if the unit is installed next to a wall or similar type of structure.

Panel Dimensions.

The door panel must not weigh more than 20 lbs.

Model	Width	Height
2175R(C)(F)	23 1/32"	27 11/16"
2115R(C)(F)	14 1/32"	27 11/16"

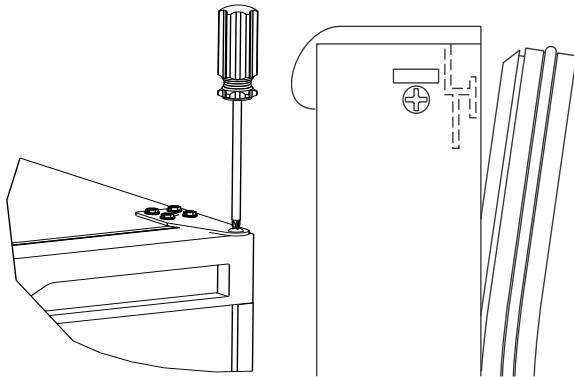
Door Panel Installation

Install the insert as follows:

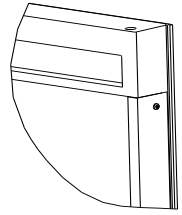
CAUTION

Use care when handling the insert. Insert edges may be sharp.

1. Remove top hinge screw pin with Phillips head screwdriver. Remove door by tilting forward and lifting off bottom hinge pin.
2. Pull door gasket out of groove (top edge of door only). Start in the middle and pull outward, moving toward the edge. This may take some force.



3. Remove the two outside screws holding door handle. Slightly separate door handle from door.
4. Pull handle up and off.
5. Slide custom door panel insert into 1/4-inch channel in door front.



IMPORTANT

Use care not to damage magnet, located on door bottom, when installing door insert. Do not set door on bottom edge when pushing insert into place.

6. Holding door gasket out of the way, replace handle on door, making sure it is seated properly on insert and that screw holes line up.
7. Install two small screws removed in **Step 3**.
8. Starting at the corners and working inward, push door gasket into place on door.
9. Place door on bottom hinge pin and install upper hinge screw.

10 Overlay Frame

Frame Preparation

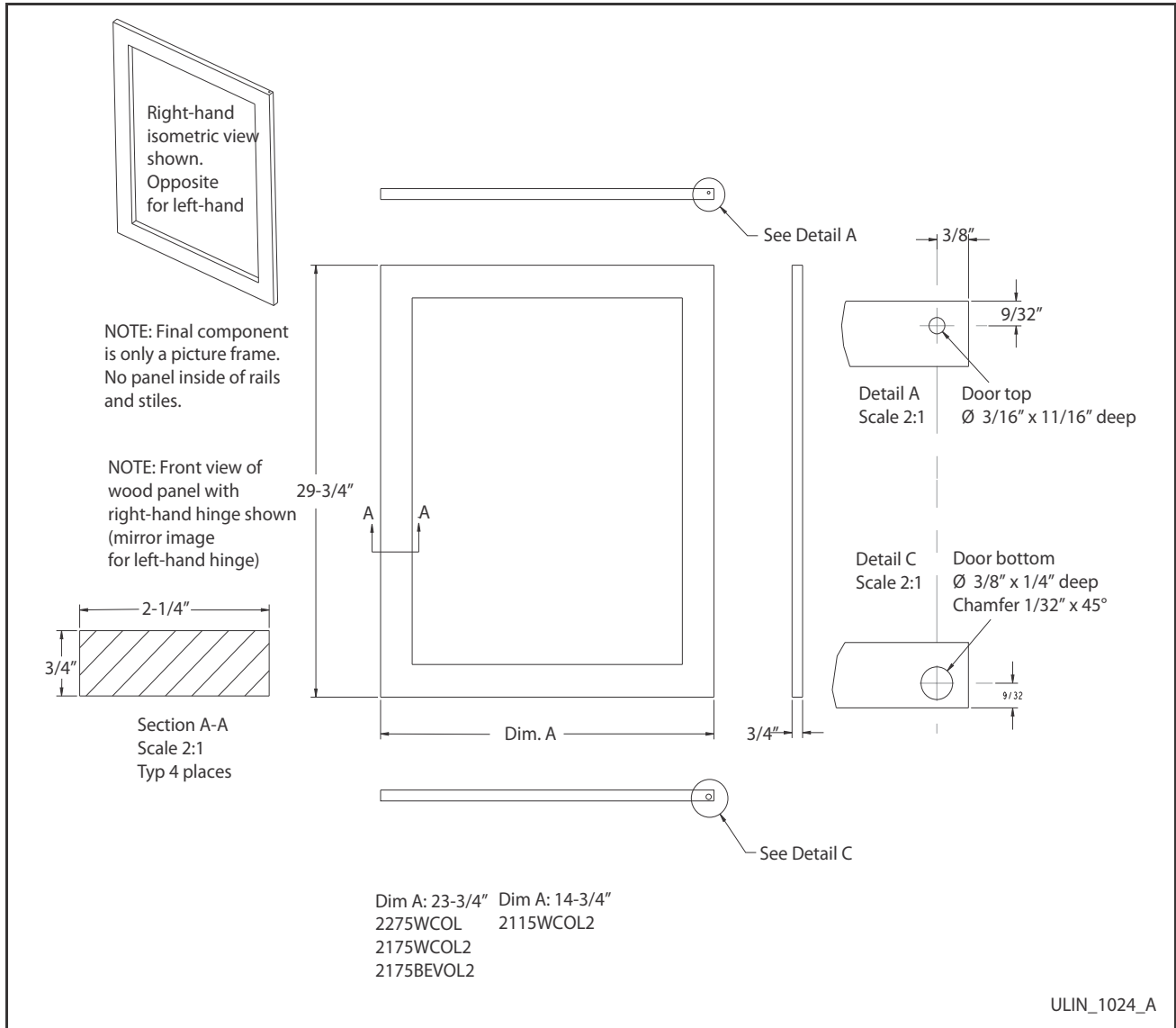
2115WCOL 2175WCCOL & 2175BEVCOL Models Only

An overlay frame covers the door frame to give a built-in appearance. Appropriate hardware and a copy of these instructions will be included with the unit.

IMPORTANT

The thickness of the overlay panel must be 3/4"

1. Use the following instructions to create or have a wood overlay panel created for you Wine Captain® or beverage Center model as shown below.
2. Drill holes for pivot pins, upper door hinge and lower door hinge as shown

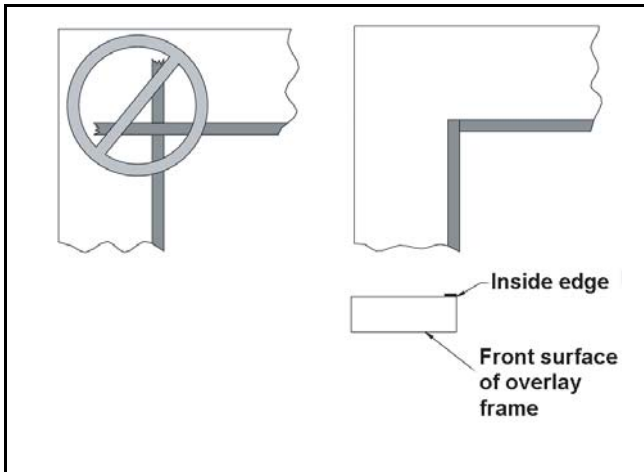


Prepare The New Overlay Panel

IMPORTANT

**The overlay door panel must not weigh more than 20 lbs.
The thickness of the door panel must be 3/4"**

1. Place a towel, or similar, soft non-marking material out on a flat clean surface. Be sure the material is large enough to have the wood panel not touch the hard mating surface.
2. Lay the wood panel out with the front side of the wood facing down.
3. Cut the foam tape in to four pieces, two pieces the width of the overlay and two pieces the height of the overlay.
4. Remove adhesive protection strip from one piece of the cut foam and align the edge of the foam tape to the inside edge of the overlay as shown, adhering the foam tape to the overlay. See Below

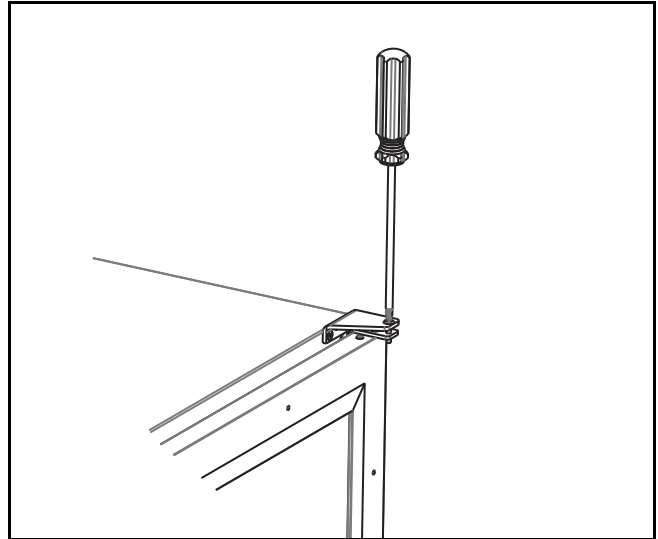


5. Trim each piece of tape immediately after applying it to the overlay. Do not allow any overlapping of the foam tape. Damage to the overlay can occur if the foam tape is not trimmed correctly.
6. If required, attach any optional cabinet hardware to the wood panel at this time. If an optional cabinet handle is installed, make sure the mounting screw heads are below (countersunk) the back surface of the overlay.

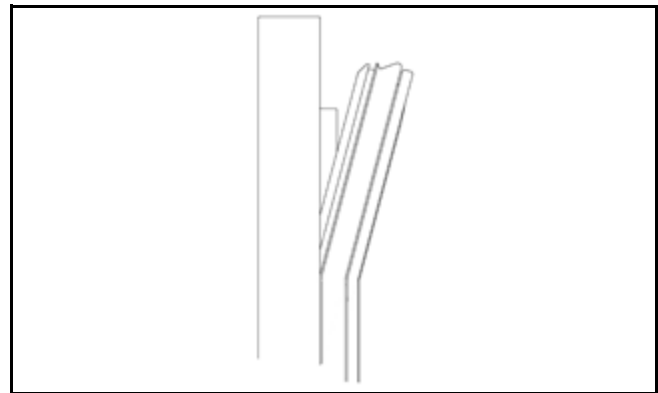
Note: After attaching the optional cabinet hardware, additional supports may be needed to keep panel flat for next steps.

Attaching the overlay panel

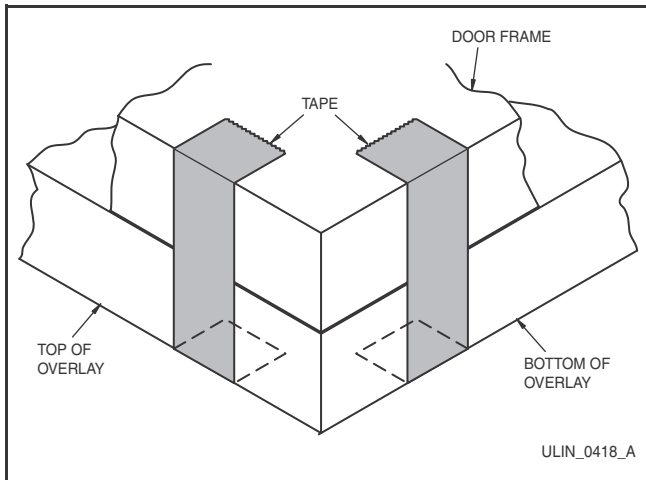
1. Remove the top hinge pivot pin with a Phillips screwdriver and lift the door off bottom hinge pin. Be careful not to lose the door closer insert sets. Save pivot pin for use later. See figure in next column.



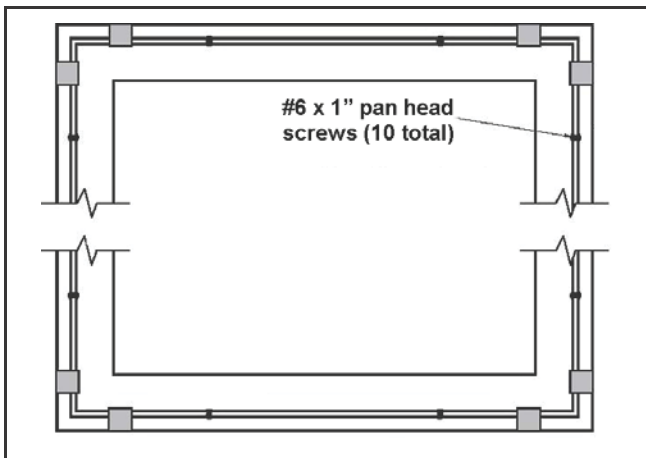
2. Carefully lay the door over the wood panel, making sure door is oriented correctly (top of door with top of wood overlay).
3. Pull door gasket out of the groove completely. Start in the middle and pull outward, moving towards the corners (See Below). This may take some force, but be careful not to cut or rip the gasket.



4. After the gasket has been removed, place it on a clean, flat surface.
5. Secure the door to the back of the wood overlay using tape on all four corners. Make sure all four edges are aligned. (See figure on next page)



- Use the door frame holes as a guide to lightly punch pilot holes for the #6x1" pan head screws



- Attach the door to the overlay using #6x1" wood screws.

IMPORTANT

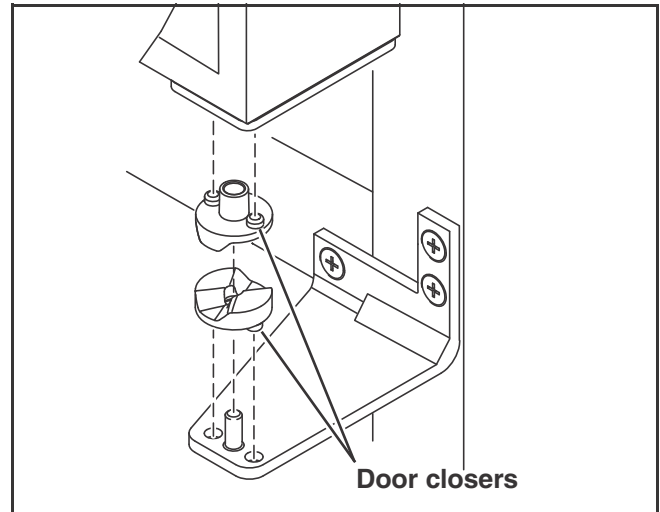
If you decide to drill pilot holes, remove the wood overlay from the door, and do not use a drill larger than 7/64". Be sure not to drill deeper than 3/8". The door frame and wood overlay must be aligned properly or the door will not operate correctly.

Note: After attaching the wood to the door, double check the bottom pivot hole location. If the hole in the pivot bracket is covered by any wood, chase through the hole with a 1 1/32" drill to open hole in door panel. **DO NOT** drill deeper than 1/4".

Assembling Door To Cabinet

- Starting at the corners and working toward the center, push the door gasket back into place. Make sure the gasket is fully seated on all four sides and corners.

- Check the closure assembly on the bottom hinge to be sure it is seated correctly in the bosses in the hinge.
- Position door over closer. Be sure the door hinge plate holes align with the bosses on the closer (see below). Failure to do so will result in the door not sitting in the proper position and door will not align correctly. (Sometimes it is helpful to open the door 180° to have the closer and pivot align correctly).



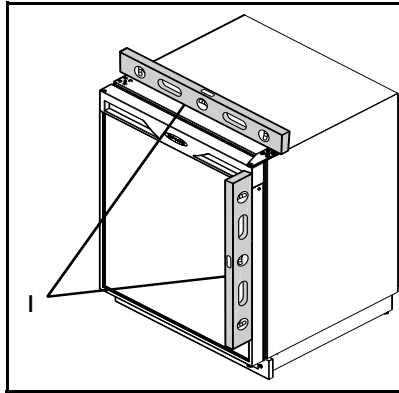
- Holding the door in the closed position, install the pivot post through the top hinge into the top pivot plate. Tighten securely with a Phillips screwdriver, making sure post is seated fully.
- Adjusting the door as needed.

10 Installation

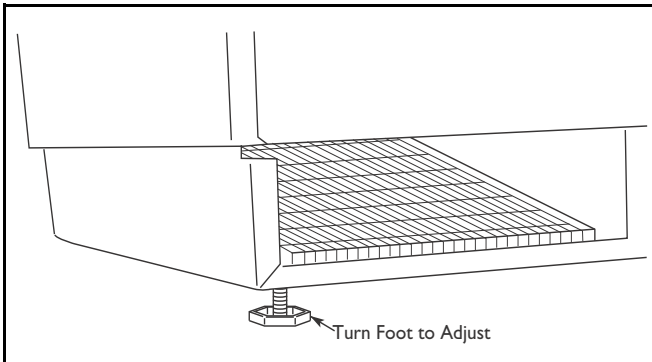
Leveling Information

It is recommended that the unit is level.

1. Use a level to check the levelness of the unit from front to back and from side to side. Level should be placed along top edge and side edge as shown



2. If the unit is not level, adjust the feet on the corners of the unit as necessary (not available in CO29 models).



3. Check the levelness after each adjustment and repeat the previous steps until the unit is level.

INSTALLATION TIP

If the room floor is higher than the floor in the cut-out opening, adjust the rear feet to achieve a total unit rear height of 1/8" less than the opening's rear height. Shorten the unit height in the front by adjusting the front feet. This allows the unit to be gently tipped into the opening. Readjust the front feet to level the unit after it is correctly positioned in the opening.

Installation

1. Plug in the powercord.
2. Gently push the unit into position. Be careful not to kink the water supply line or entangle the electrical cord.
3. Re-check the leveling, from front to back and side to side. Make any necessary adjustments. The unit's top surface should be approximately 1/8" below the countertop.
4. Remove the tape from the glass shelves and wipe out the inside of the unit with a clean, water-dampened cloth.

Relocating the Shelves

Both the glass shelves in the refrigerator and the inner door shelves can be moved to accommodate your bottles, cans and containers.

Glass Shelves on Right-Hand Hinge Units

- Open door fully, grasp shelf firmly, lift front edge slightly, and pull straight out.
- Choose new location and slide shelf onto the appropriate rib.

Glass Shelves on Left-Hand Hinge Units

- Pull shelf out about 6" to clear the wall's molded protrusion.
- Tilt right-hand edge of shelf up.
- Keeping at this angle and hugging the right wall, pull the shelf out.
- Choose new location and insert over ribs, tilting right-hand edge up. Push in, then lower shelf onto ribs.

Door Shelves

- First pull shelf up at a 45° angle, then straight out (see Figure 39).
- Choose new location and line up on bosses. First push straight in, then down at a 45° angle.

Installation Troubleshooting

Q: Problem

The door remains open unless it is pushed closed.

A: Solution

The hinges should be self-closing when the door is open approximately 8". If this is not the case, make sure the closers are clean, greased and installed correctly. Also, re-check leveling from front to back of the unit and readjust if necessary. Make sure that pivot plate is installed correctly.

Q: Problem

The custom overlay door was designed to align with the rest of the cabinet doors, but the unit has crept forward.

A: Solution

Make sure that the electrical cord and water supply line are not obstructing the installation.

SERVICE INFORMATION

If you have a problem with this appliance, your use and care guide has troubleshooting information to help you quickly identify common problems and provide information on possible cause and remedy. Answers to Customers Frequently Asked Questions are available at www.u-line.com/customer/faq.cfm. You may contact U-Line directly:

GENERAL INQUIRIES:

U-Line Corporation
P.O. Box 245040
Milwaukee, Wisconsin 53224-9540 U.S.A.
Phone (414) 354-0300
FAX (414) 354-7905
Email: sales@u-line.com
www.u-line.com

SERVICE ASSISTANCE:

Phone (800) 779-2547
FAX (414) 354-5696
Email: onlineservice@u-line.com
www.u-lineservice.com

PARTS ASSISTANCE:

E-mail: onlineparts@u-line.com

ABOUT U-LINE

Building on 45 years, U-Line has captivated those with an appreciation for the finer things with exceptional design, inspired innovations and attention to even the smallest details.

U-Line is synonymous with premium built-in undercounter ice making, refrigeration and wine storage appliances, the U-Line Corporation is committed to luxury under the counter. U-Line is known and respected for unwavering dedication to product innovation, quality and selection. A bold and broad line of models is the product of visionaries in the pursuit of distinctive living environments in the kitchen and spaces beyond.

In 1962, Henry Uihlein founded U-Line Corporation as an outgrowth of Ben-Hur Freezer Company and was the first to develop and patent an automatic stand-alone undercounter residential ice maker. His foresight and determination to develop new ideas and to succeed when there were no clear guidelines or solutions are evident today. The Milwaukee, Wisconsin based family operated business provides continuity and vision from which innovations continue to be born.

Going forward, U-Line will continue offering best-in-class products that build on the company's numerous patents and world firsts to guide the undercounter industry in realizing its unlimited potential.