

1000, ADA & 29 Series Models



ADA24R



ADA24RG



75F



1115WC



1115R



1075BEV



1175BEV



1175R



1175WC



1075WC



29R

I Table of Contents

Safety Precautions	
Safety Alert Definitions.....	1
General Precautions	1
Inspect & Plan	
Product Registration	2
Models Covered.....	2
Tools / Material Required	2
Exterior Cleaning	2
Black and White Models:.....	2
Stainless Models:.....	2
Prepare Site	
Cut-Out Dimensions.....	3
1175, 1075 & 75F Series.....	3
1115 Series	3
29 Series.....	3
ADA24 Series	3
Product Dimensions	
1115 Series	4
1175 Series	4
1075 Series	4
29 Series.....	4
ADA24 Series	5
Door Swing Dimensions	
Other Site Requirements	6
Side-By-Side Installation.....	6
Power Supply	6
Environmental Requirements.....	6
Standard Doors	
Door Alignment and Adjustment.....	7
Door Reversability.....	7
Reversing the door	7
Wood Trim Finishing	
Staining and final finish application:	9
Final finish-only application:	9
Door Panel Installation	
Custom 1/4" Thick Door Panel Insert.....	10
Door Panel Preparation.....	10
Panel Dimensions.....	10
Door Panel Installation	10
Installation	
Leveling Information.....	11
Installation.....	11
Relocating the Shelves.....	11
Installation Troubleshooting.....	11

2 Safety Precautions

IMPORTANT

- **PLEASE READ** all instructions before installing, operating, or servicing the appliance.
- Proper installation procedures must be followed when completing an installation or relocation of a unit. Consult the installation guide before any installation begins. U-Line contact information appears on the rear cover of this guide.
- This unit requires connection to a dedicated 15 Amp grounded (three-prong), polarized receptacle, installed by a qualified electrician, compliant with applicable electrical codes.

Safety Alert Definitions

Throughout this guide are safety items labeled with a Danger, Warning or Caution based on the risk type:

DANGER

Danger means that failure to follow this safety statement will result in severe personal injury or death.

WARNING

Warning means that failure to follow this safety statement could result in serious personal injury, property or equipment damage.

CAUTION

Caution means that failure to follow this safety statement may result in minor or moderate personal injury, property or equipment damage.

General Precautions

Use this appliance for its intended purpose only and follow these general precautions with those listed throughout this guide:

DANGER

RISK OF CHILD ENTRAPMENT. Before you throw away your old refrigerator or freezer, take off the doors and leave shelves in place so children may not easily climb inside.

WARNING

SHOCK HAZARD - Electrical Grounding Required.

- Never attempt to repair or perform maintenance on the unit until the electricity has been disconnected.
- Never remove the round grounding prong from the plug and never use a two-prong grounding adaptor.
- Altering, cutting of power cord, removal of power cord, removal of power plug, or direct wiring can cause serious injury, fire and or loss of property and or life, and will void the warranty.
- Never use an extension cord to connect power to the unit.
- Always keep your working area dry.

WARNING

Install provided Anti-Tip kit on all Wine Captain Models and Beverage Centers. Serious personal injury could occur.

CAUTION

- Use care when moving and handling the unit. Use gloves to prevent personal injury from sharp edges.
- If your model requires defrosting, **DO NOT** use an ice pick or other sharp instrument to help speed up defrosting. These instruments can puncture the inner lining or damage the cooling unit. **DO NOT** use any type of heater to defrost. Using a heater to speed up defrosting can cause personal injury and damage to the inner lining.

IMPORTANT

- Do not lift unit by door handle.
- Never install or operate the unit behind closed doors. Be sure front grille is free of obstruction. Obstructing free airflow can cause the unit to malfunction and will void the warranty.
- Failure to clean the condenser every six months can cause the unit to malfunction. This could void the warranty.
- Allow unit temperature to stabilize for 24 hours before use.
- Do not Block any internal Fans

Use only genuine U-Line replacement parts. Imitation parts can damage the unit, affect its operation or performance and may void the warranty.



Product Registration

You have received a carton containing your U-Line Wine Captain®, Refrigerator, or Beverage Center with a package inside containing a Use and Care Guide and a Product Registration Card. Complete and mail the Product Registration Card or register online at www.U-LineService.com. Once your unit is installed, keep the Use and Care Guide and this Installation Guide in a safe place for future reference.

Models Covered

This installation guide covers the following models.

U-1075BEVS-00	U-ADA24RGLB-13
U-1075WCS-00	U-ADA24RGLS-13
U-1115RB-00	U-ADA24RGLS-15
U-1115RS-01	U-ADA24RS-13
U-1115WCB-00	U-ADA24RS-15
U-1115WCS-00	ULN-29RB-00
U-1175BEVS-00	ULN-29RB-13
U-1175RB-00	ULN-29RB-15
U-1175RB-13	ULN-29RWH-00
U-1175RS-00	ULN-29RWH-13
U-1175RS-01	ULN-29RWH-15
U-1175RW-00	ULN-75FB-00
U-1175RW-13	ULN-75FB-13
U-1175WCB-00	ULN-75FB-13
U-1175WCS-00	ULN-75FWH-00
U-ADA24RB-13	ULN-75FWH-13

Inspection

Unwrap and inspect the unit on a flat, level surface capable of supporting its entire weight.

Tools / Material Required

- Screwdrivers — slotted and Phillips head
- 1/4-inch thick door panel material and cutting tools (If installing a 1/4" Panel)

(optional for finishing wood fronts)

- Minwax® Water-Based Wood Stain
- Minwax® Polycrylic® Protective Finish
- Foam Applicator and / or Synthetic Bristle Brush
- 220 grit Sandpaper
- 280 grit Sandpaper

Exterior Cleaning

(As Required)

Black and White Models:

- Black and White surfaces may be cleaned with a mild detergent and warm water solution. Do not use solvent-based or abrasive cleaners. Use a soft sponge and rinse with clean water. Wipe with a soft, clean towel to prevent water spotting.

Stainless Models:

- Stainless door panels, handles and frames can discolor when exposed to chlorine gas, pool chemicals, salt water or cleaners with bleach.
- Clean any glass door fronts with a non-chlorine glass cleaner.
- Keep your Stainless unit looking new by cleaning with a good quality all-in-one stainless steel cleaner/polish on a monthly basis. For best results use Claire Stainless Steel Polish and Cleaner, which can be purchased from U-Line Corporation (Part numbers 173348). Frequent cleaning will remove surface contamination that could lead to rust. Some installations may require cleaning on a weekly basis.
- **Do not clean with steel wool pads.**
- **Use of abrasive pads such as Scotchbrite will cause the graining in the stainless to become blurred.**
- **Do not use stainless steel cleaners/polishes on any glass surfaces.**
- **Do not use cleaners that are not specifically intended for stainless steel on stainless surfaces (this includes glass, tile and counter cleaners).**
- If any surface discolors or rust appears, clean it quickly with Bon-Ami or Barkeepers Friend Cleanser and a non-abrasive cloth. Always clean in the direction of the grain. Always finish this process with Claire Stainless Steel Polish and Cleaner or comparable product to prevent further problems.



WARNING

Rust that is allowed to linger can penetrate into the surface of the stainless steel and complete removal of the rust may not be possible.

4 Prepare Site

Your U-Line product has been designed for either free-standing or built-in installation. When built-in, your unit does not require additional air space for top, sides or rear. However, the front grille must NOT be obstructed and clearance is required for an electrical connection in the rear.

WARNING

Unit can NOT be installed behind a closed cabinet door.

WARNING

SHOCK HAZARD — Electrical Grounding Required.

- Never remove the round grounding prong from the plug and never use a two-prong grounding adapter.
- Never use an extension cord to connect power to the unit.

IMPORTANT

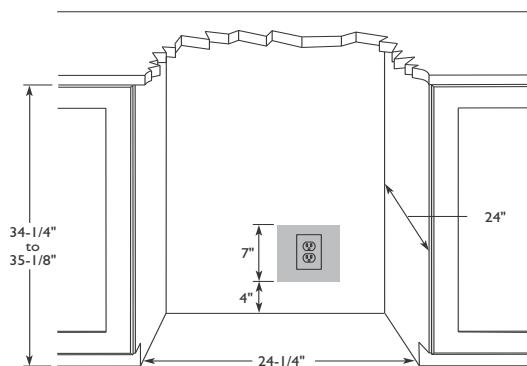
Electrical installation must observe all state and local codes. This unit requires connection to a grounded (three-prong), polarized receptacle that has been placed by a qualified electrician.

The unit requires a grounded and polarized 115 VAC, 60 Hz, 15A power supply (normal household current). An individual, properly grounded branch circuit or circuit breaker is recommended. GFCI (ground fault circuit interrupter) is usually not required for fixed location appliances and is not recommended for your unit because a GFCI could be prone to nuisance tripping. However, be sure to consult your local codes.

Cut-Out Dimensions

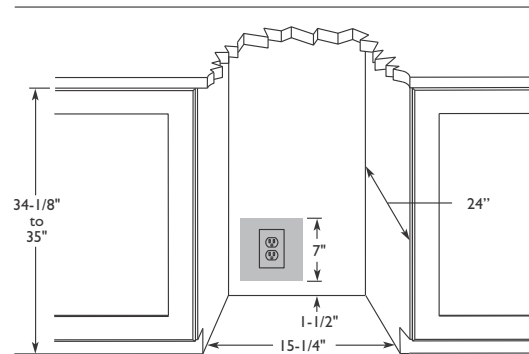
1175, 1075 & 75F Series

Follow the cut-out drawing. The 24-1/4" width allows 1/4" for ease in installation and removal of the unit. 24" is the cabinet depth in most installations.



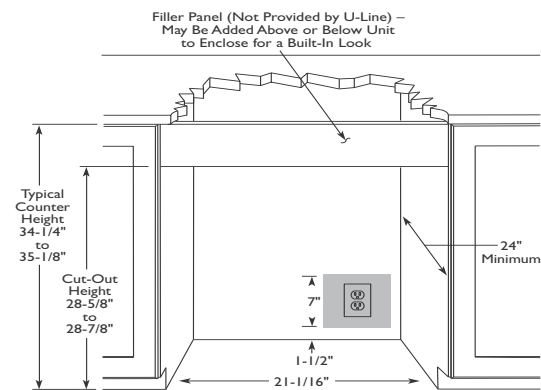
1115 Series

Follow the cut-out drawing. The 15-3/16" width allows 1/4" for ease in installation and removal of the unit. 24" is the cabinet depth in most installations.



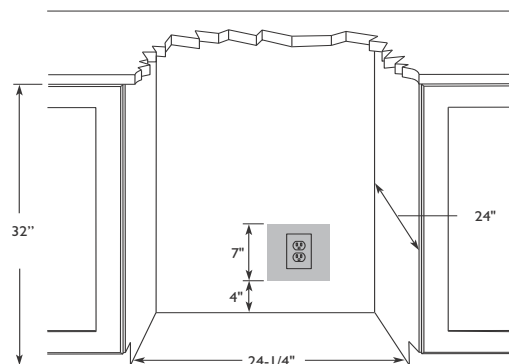
29 Series

Follow the cut-out drawing. The 21-1/16" width allows 1/4" for ease in installation and removal of the unit. 24" is the counter depth in most installations. The unit is 23" deep including the door.



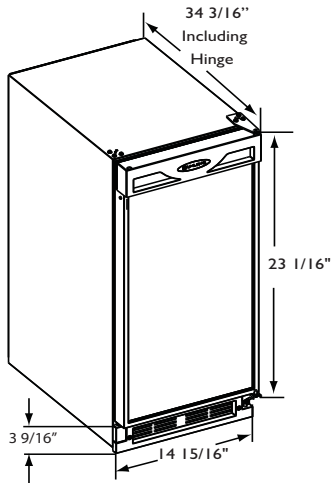
ADA24 Series

Follow the cut-out drawing. The 24 1/4" width allows 1/4" for ease in installation and removal of the unit. 24" is the cabinet depth in most installations.

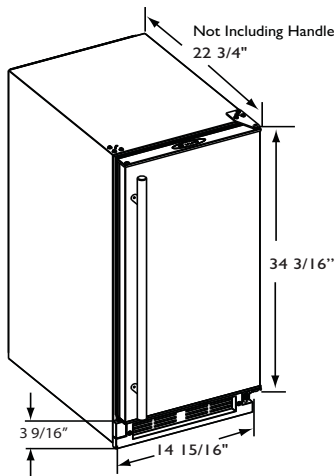


5 Product Dimensions

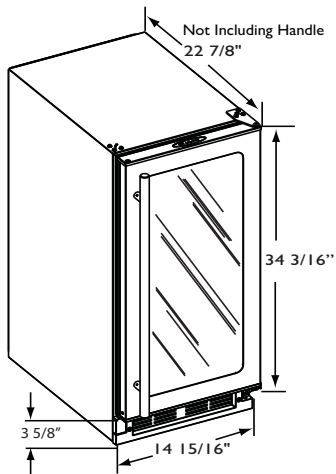
1115 Series



1115 Refrigerator & Wine Captain®

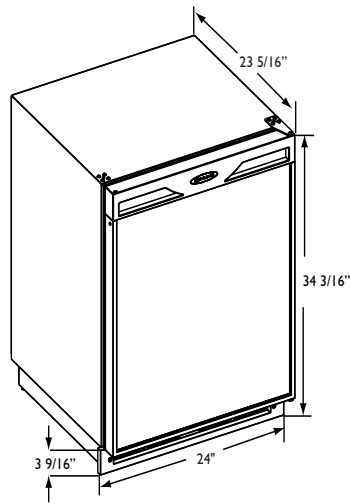


Stainless Refrigerator 1115RS

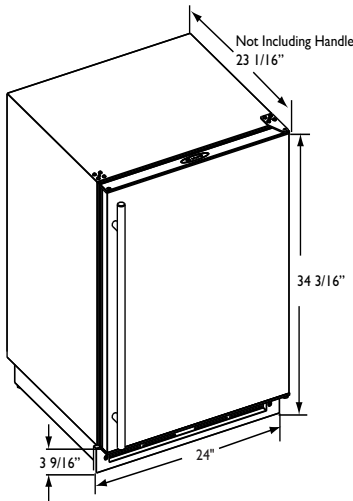


Stainless Wine Captain® 1115WC

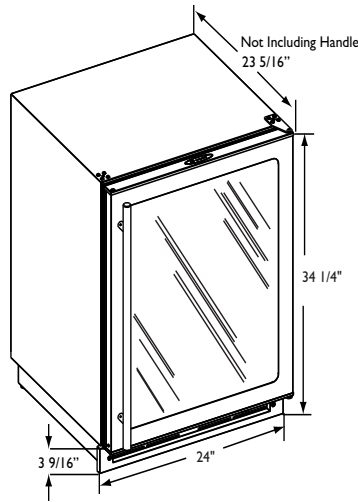
1175 Series



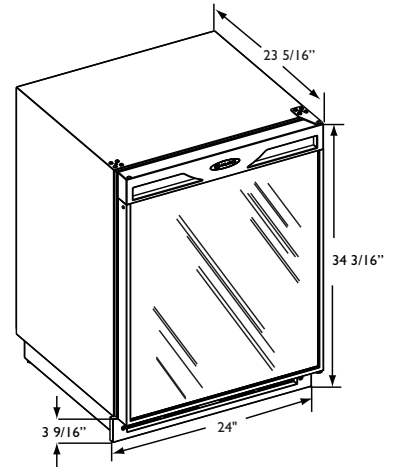
1175 Refrigerator & 75FB



1175 Stainless Refrigerator

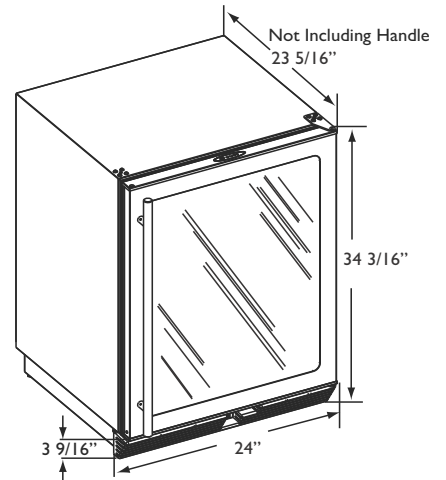


1175 Stainless Wine Captain® & Beverage Center



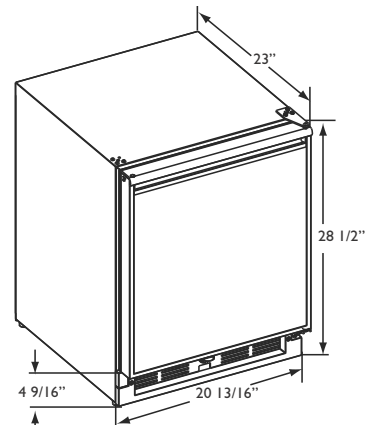
1175 Wine Captain®

1075 Series



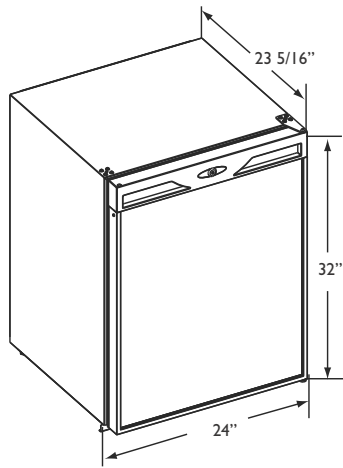
1075 Stainless Beverage Center & Wine Captain®

29 Series



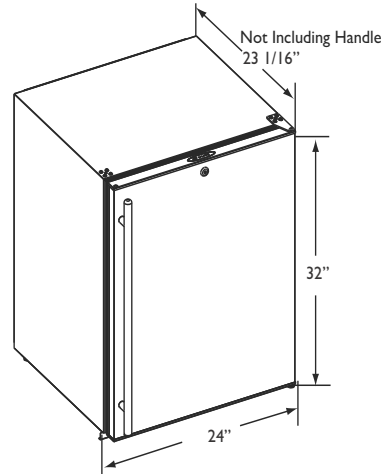
29 Series Refrigeration Units

ADA24R(GL)B Series

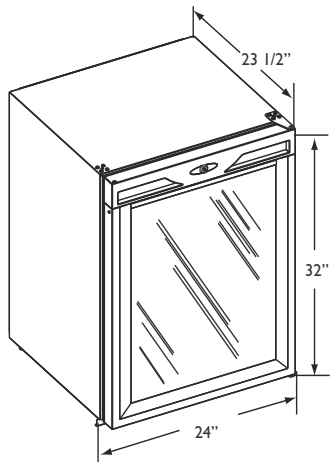


Refrigerator ADA24RB

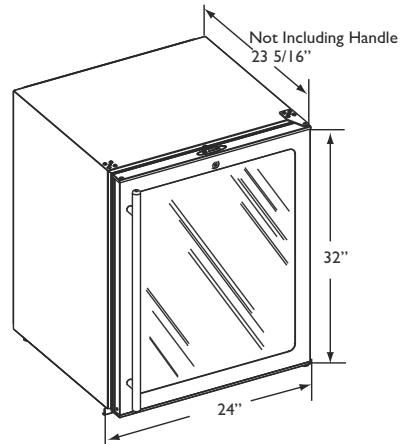
ADA24R(GL)S Series



Stainless Refrigerator ADA24RS



Glass Refrigerator ADA24RGLB



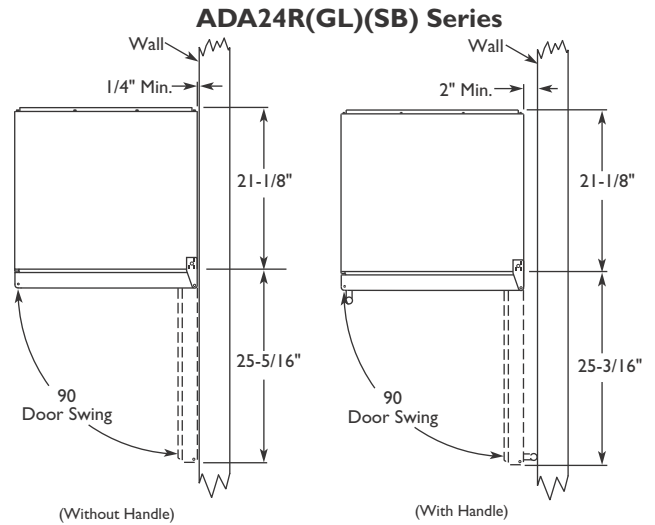
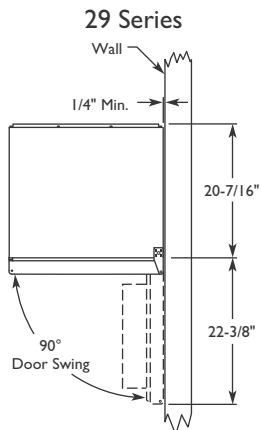
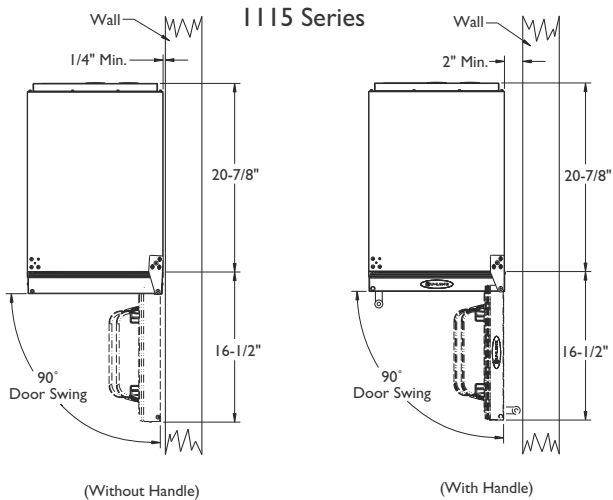
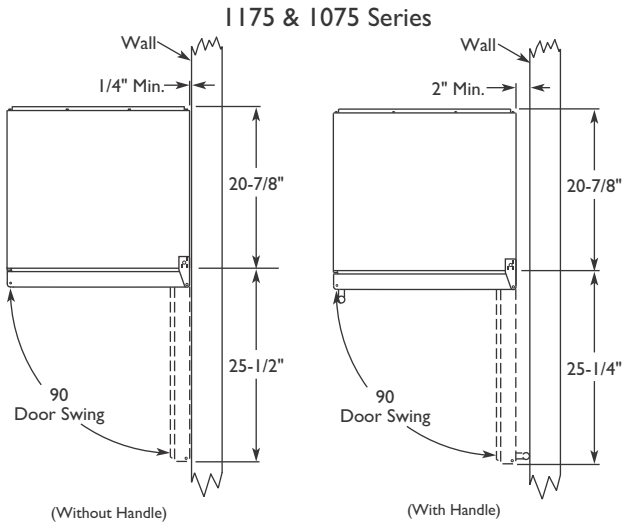
Stainless Glass Refrigerator ADA24RGLS

6 Door Swing Dimensions

All units have a zero clearance for the door to open 90°. U-Line recommends a minimum door clearance of 2" to accommodate the handle if the unit is installed next to a wall or similar type of structure.

IMPORTANT

Non stainless 1175 or 1115 Wine Captain® models must have a full 135° available for door swing.



Other Site Requirements

Side-By-Side Installation

For a complete refreshment center, install two units side by side:

Cut-out width for a side-by-side installation is the total of the widths listed under Cut-Out Dimensions in each unit's Installation Guide.

No trim kit is required. However, 1/4-inch space needs to be maintained between the units to ensure unobstructed door swing.

Units must operate from separate, properly grounded electrical receptacles placed according to each unit's Electrical Specifications Requirements

Power Supply

The unit requires a grounded and polarized 115 VAC, 60 Hz, 15A circuit (normal household current).

Environmental Requirements

The units are designed to operate between 50°F (10°C) and 100°F (37°C). High ambient temperatures (100°F [37°C] or higher) may reduce the unit's ability to reach low temperatures.

For best performance, keep the unit out of direct sunlight and away from heat generating equipment.

In climates where high humidity and dew points are present, condensation may appear on outside surfaces. This is considered normal. The condensation will disappear when the humidity drops.

7 Standard Doors

Door Alignment and Adjustment

Align and adjust the door if it is not level, or is not sealing properly. If the door is not sealed the unit may not cool properly, or excessive frost may form in the interior.

IMPORTANT

Properly aligned, the door's gasket should be firmly in contact with the cabinet all the way around the door (no gaps). Carefully examine the door's gasket to assure that it is firmly in contact with the cabinet. Also make sure the door gasket is not pinched on the hinge side of the door.

To align and adjust the door:

1. Loosen (do not remove) top and bottom hinge screws.
2. Align door squarely with cabinet.
3. Make sure gasket is firmly in contact with cabinet all the way around the door (no gaps).
4. Tighten bottom hinge screws.
5. Tighten top hinge screws.

Door Reversability

Location of the unit may make it desirable to mount the door on the opposite side of the cabinet.

Models with black and white doors are field-reversible.

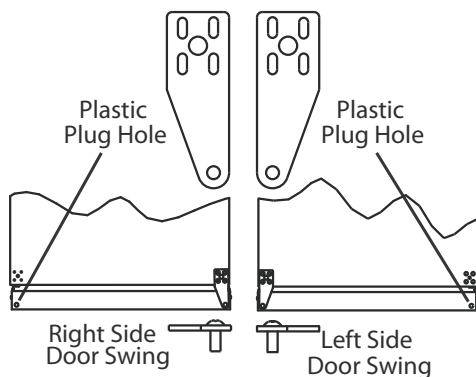
Stainless steel models with glass doors without locks are field-reversible.

Stainless steel models without glass doors must be ordered right- or left-hand hinged.

Reversing the door

The Hinge hardware will be removed and reinstalled on the opposite side of the cabinet.

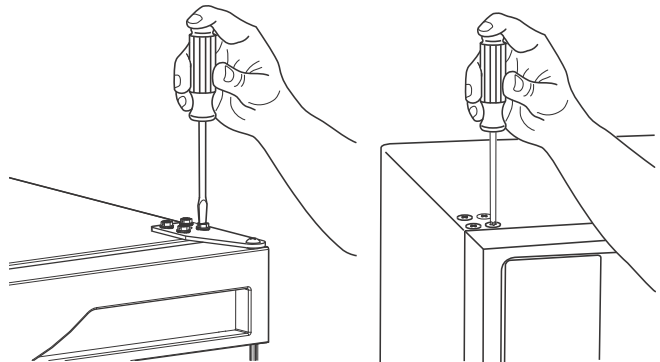
The hinge plate is flipped over when it is reinstalled on the opposite side of the cabinet.



To reverse the door:

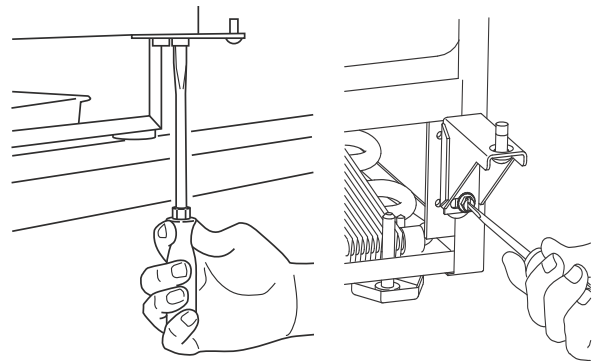
Remove grille:

Remove the grille see MAINTENANCE section of this guide.



Remove top hinge, and door:

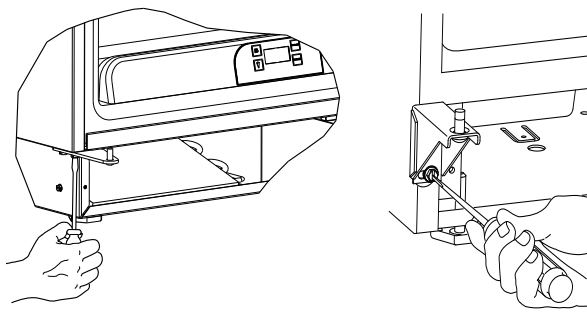
1. Hold door to keep it from falling.
2. Remove top hinge from cabinet by removing three or four screws, depending on model.
3. Remove door by tilting forward and lifting door off bottom hinge.
4. Remove three or four plastic screw plugs from hinge holes on the opposite side. Reinstall into holes where the hinge was



removed. Ensure not to scratch cabinet.

Remove bottom hinge:

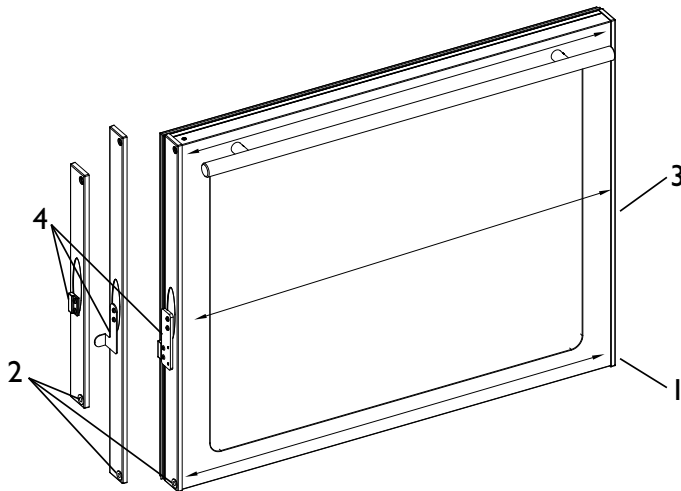
1. Remove bottom hinge from cabinet. Some models will have a gusset with two screws. Other models will have a plate with three screws.
2. Remove corresponding screws on opposite side of cabinet. On



Install bottom hinge:

1. If you have a plate hinge, reorient the pivot screw so it protrudes the opposite direction from the hinge. Remove the pivot screw from the hinge. Turn the plate over and reinstall the screw.
2. Align hinge outer edge with cabinet. For models with a plate hinge, the flat edge of the hinge aligns with the outer edge of the cabinet.

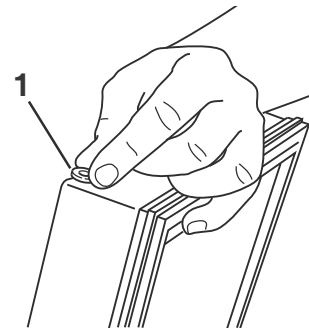
Install two or three screws, depending on model. Replace nuts if used.



Prepare door for reinstallation:

For stainless steel models with glass doors:

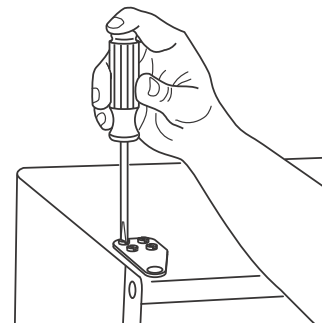
3. Stainless glass doors are flipped upside down to be reversed.
4. Lay the door on it's side. Remove the plastic hole plug (1) and install in the corner opposite of where it was removed.
5. Remove the plastic hinge bushing (2) and install in the corner opposite of where it was removed.
6. Remove the U-Line nameplate (3) from door. This will reveal mounting holes for the door actuator bracket.
7. Remove door actuator (4) from door. Be sure to only remove the two screws holding the actuator to the door. Reinstall the actuator (4) on the opposite end of the door where the nameplate was removed.
8. Install new nameplate where the actuator assembly was removed.
9. Install screws into holes on opposite side, where the hinge was removed. Replace nuts if used.



Prepare door for reinstallation:

For black or white doors:

1. Remove plastic hole plug from top of door handle and reinstall on opposite side.
2. Remove plastic hinge bushing on bottom of door and reinstall on opposite side. Clean out bushing hole in door bottom with a screwdriver if necessary.



Install top hinge, and door:

1. Reorient the pivot screw so it protrudes the opposite direction from the hinge. Remove the pivot screw from the hinge. Turn the plate over and reinstall the screw.
2. Hold door to keep it from falling.
3. Lift the door on to the bottom hinge.
4. Align flat edge of the hinge with the outer edge of the unit.
5. Install three or four screws, depending on model.

Align and adjust the door:

1. Align and adjust the door, see DOOR ALIGNMENT AND ADJUSTMENT above.

Install grille:

Install the grille, see MAINTENANCE section of this guide.

8 Wood Trim Finishing

WARNING

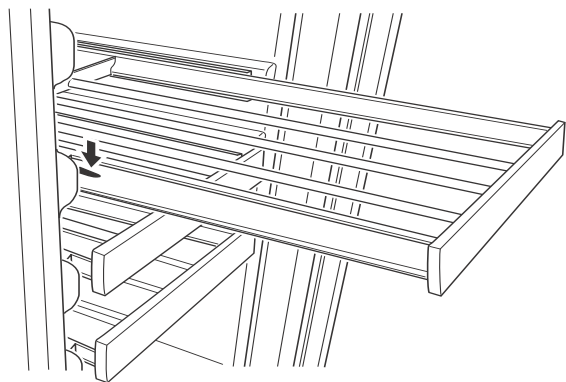
To prevent permanent damage to the inner liner of the Beverage Center and the Wine Captain, the wire rack wood trim **MUST** be removed from the unit for staining and/or finishing. Allow stain/finish to dry thoroughly (at least 24 hours) in accordance with the stain/finish manufacturer's instructions prior to re-installing the wood trim inside the cabinet of the Beverage Center or Wine Captain. Failure to do so may cause the inner liner of the unit to have a permanent odor, which is not covered by the warranty.

IMPORTANT

- Your model may contain an electronic display panel in the lowest level trim piece. After removing the trim screws and gently pulling the trim from its location, a wiring harness connector will become visible. Unplug the connector and remove the trim from the interior.
- Glass in door is tinted. Stain may look darker when door is closed.

Removing Wire Racks

1. Grasp the end of the rack, and gently slide it out until it stops.
2. Remove any bottles stored on the rack.
3. Press the left rack release lever (see above) down, and at the same time, lift the corresponding right rack release lever up, and pull the rack out until it is free of the tracks and the cabinet.
4. Do not remove the track side rails from the cabinet.



To insert a rack in the cabinet:

1. Align the left and right rack channels with the tracks in the cabinet, and ensuring an even track engagement on both sides, gently push the rack into the cabinet until it stops.

Before reloading the rack, ensure proper operation of the travel stops in the left and right track rails by pulling the rack out gently until it completely stops.

Staining and final finish application:

IMPORTANT

DO NOT use oil-based stains on wood trim. Vapors from oil-based stains will permanently penetrate the liner and will not dissipate over time.

1. Remove all screws securing wood trim to interior parts, and remove the trim from the cabinet interior.
2. Lightly sand and clean wood.
3. Apply Minwax® Water-Based Wood Stain to wood with a synthetic bristle brush or a foam applicator. Allow stain to penetrate about three minutes. Before the stain is dry, take a stain dampened rag and remove any excess stain remaining. Wipe towards the grain with medium pressure to achieve the desired stain color.
4. After two hours, repeat step 2. This will even out the color of the wood.
5. Allow stain to dry for a minimum of three hours before applying the final finish.
6. If desired, sand the wood with very fine sandpaper to smooth the surface after staining.
7. Remove all dust from the wood, and apply one coat of Minwax® Polycrylic® Protective Finish using a synthetic bristle brush to the wood. Apply this finish in a thin coat following towards the grain. Apply the finish to the back and sides of the wood first, and allow it to dry for two hours. Apply the finish to the front side of the wood next, and allow it to dry for two hours. Sand with very fine 220 grit sandpaper. Apply two more coats of finish in the same manner, but do not sand the trim after applying the final third coat.
8. Allow the final coat to dry for 24 hours before reinstalling the trim to the cabinet interior parts.

Final finish-only application:

1. Remove all screws securing wood trim to interior parts, and remove the trim.
2. Lightly scuff sand the wood trim with 280 or finer grit sandpaper.
3. Remove sanding dust with a clean, dry cloth.
4. The factory-applied seal is compatible with almost all finishes. A low odor, water clean up, quick-drying finish such as Minwax® Polycrylic® Protective Finish is recommended (Minwax® Polycrylic® is an ultra fast-drying water-based finish). Apply a thin coat of a clear, protective finish, following the container label directions.
5. Lightly sand and reapply if desired.

Allow the final coat to dry for 24 hours before reinstalling the trim to the cabinet interior parts.

9 Door Panel Installation

Custom 1/4" Thick Door Panel Insert

Door Panel Preparation

A custom door panel may be inserted into the doorframe. Custom door panels can be flat or raised, as long as the maximum panel thickness where inserted into the door reveal (channel) is no more than 1/4" thick. For raised panels, the depth of the reveal is 1/4" on all four sides.

IMPORTANT

Raised panels will reduce the door's 90° swing/zero clearance if the unit is installed next to a wall or similar type of structure.

Panel Dimensions.

Model	Width	Height
ADA24RB	22 15/16"	26 15/16"
1175R(B/W)	22 15/16"	26 15/16"
1115R(B/W)	13 15/16"	26 15/16"
29R(B/W)	19 13/16"	21 13/32"

The door panel must not weigh more than 20 lbs.

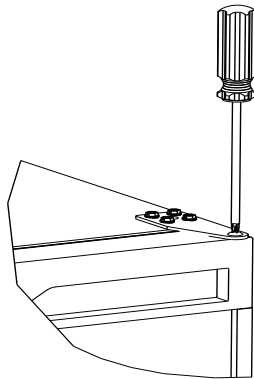
Door Panel Installation

Install the insert as follows:

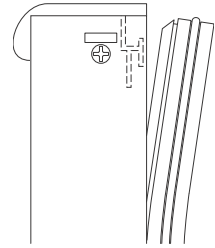
CAUTION

Use care when handling the insert. Insert edges may be sharp.

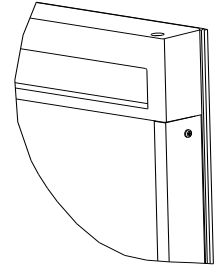
1. Remove top hinge screw pin with Phillips head screwdriver. Remove door by tilting forward and lifting off bottom hinge pin.



2. Pull door gasket out of groove (top edge of door only). Start in the middle and pull outward, moving toward the edge. This may take some force.



3. Remove two outside screws holding door handle. Slightly separate door handle from door.



4. Pull handle up and off.
5. Slide custom door panel insert into 1/4-inch channel in door front.

IMPORTANT

Use care not to damage magnet, located on door bottom when installing door insert. Do not set door on bottom edge when pushing insert into place.

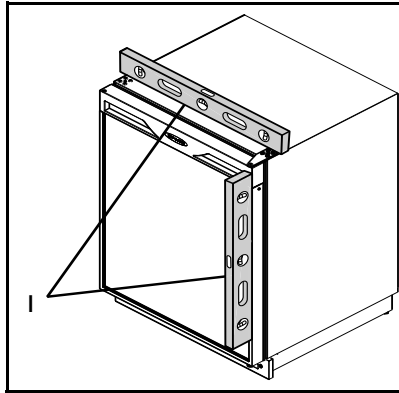
6. Holding door gasket out of the way, replace handle on door, making sure it is seated properly on insert and that screw holes line up.
7. Install two small screws removed in **Step 3**.
8. Starting at the corners and working inward, push door gasket into place on door.
9. Place door on bottom hinge pin and install upper hinge screw.

10 Installation

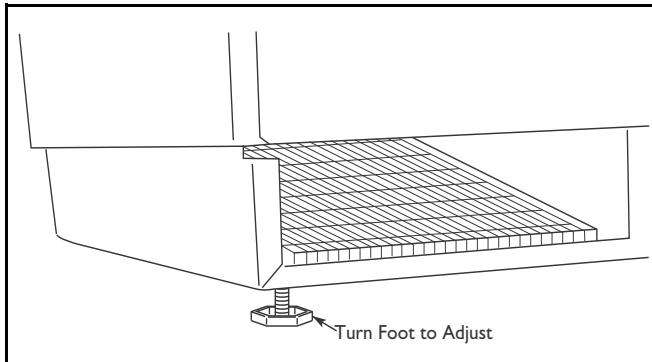
Leveling Information

It is recommended that the unit is level.

1. Use a level to check the levelness of the unit from front to back and from side to side. Level should be placed along top edge and side edge as shown



2. If the unit is not level, adjust the feet on the corners of the unit as necessary (not available in CO29 models).



3. Check the levelness after each adjustment and repeat the previous steps until the unit is level.

INSTALLATION TIP

If the room floor is higher than the floor in the cut-out opening, adjust the rear feet to achieve a total unit rear height of 1/8" less than the opening's rear height. Shorten the unit height in the front by adjusting the front feet. This allows the unit to be gently tipped into the opening. Readjust the front feet to level the unit after it is correctly positioned in the opening.

Installation

1. Plug in the powercord.
2. Gently push the unit into position. Be careful not to kink the water supply line or entangle the electrical cord.
3. Re-check the leveling, from front to back and side to side. Make any necessary adjustments. The unit's top surface should be approximately 1/8" below the countertop.
4. Remove the tape from the glass shelves and wipe out the inside of the unit with a clean, water-dampened cloth.

Relocating the Shelves

Both the glass shelves in the refrigerator and the inner door shelves can be moved to accommodate your bottles, cans and containers.

Glass Shelves on Right-Hand Hinge Units

- Open door fully, grasp shelf firmly, lift front edge slightly, and pull straight out.
- Choose new location and slide shelf onto the appropriate rib.

Glass Shelves on Left-Hand Hinge Units

- Pull shelf out about 6" to clear the wall's molded protrusion.
- Tilt right-hand edge of shelf up.
- Keeping at this angle and hugging the right wall, pull the shelf out.
- Choose new location and insert over ribs, tilting right-hand edge up. Push in, then lower shelf onto ribs.

Door Shelves

- First pull shelf up at a 45° angle, then straight out (see Figure 39).
- Choose new location and line up on bosses. First push straight in, then down at a 45° angle.

Installation Troubleshooting

Q: Problem

The door remains open unless it is pushed closed.

A: Solution

The hinges should be self-closing when the door is open approximately 8". If this is not the case, make sure the closers are clean, greased and installed correctly. Also, re-check leveling from front to back of the unit and readjust if necessary. Make sure that pivot plate is installed correctly.

Q: Problem

The custom overlay door was designed to align with the rest of the cabinet doors, but the unit has crept forward.

A: Solution

Make sure that the electrical cord and water supply line are not obstructing the installation.

SERVICE INFORMATION

If you have a problem with this appliance, your use and care guide has troubleshooting information to help you quickly identify common problems and provide information on possible cause and remedy. Answers to Customers Frequently Asked Questions are available at www.u-line.com/customer/faq.cfm. You may contact U-Line directly:

GENERAL INQUIRIES:

U-Line Corporation
P.O. Box 245040
Milwaukee, Wisconsin 53224-9540 U.S.A.
Phone (414) 354-0300
FAX (414) 354-7905
Email: sales@u-line.com
www.u-line.com

SERVICE ASSISTANCE:

Phone (800) 779-2547
FAX (414) 354-5696
Email: onlineservice@u-line.com
www.u-lineservice.com

PARTS ASSISTANCE:

E-mail: onlineparts@u-line.com

ABOUT U-LINE

Building on 45 years, U-Line has captivated those with an appreciation for the finer things with exceptional design, inspired innovations and attention to even the smallest details.

U-Line is synonymous with premium built-in under counter ice making, refrigeration and wine storage appliances, the U-Line Corporation is committed to luxury under the counter. U-Line is known and respected for unwavering dedication to product innovation, quality and selection. A bold and broad line of models is the product of visionaries in the pursuit of distinctive living environments in the kitchen and spaces beyond.

In 1962, Henry Uihlein founded U-Line Corporation as an outgrowth of Ben-Hur Freezer Company and was the first to develop and patent an automatic stand-alone under counter residential ice maker. His foresight and determination to develop new ideas and to succeed when there were no clear guidelines or solutions are evident today. The Milwaukee, Wisconsin based family operated business provides continuity and vision from which innovations continue to be born.

Going forward, U-Line will continue offering best-in-class products that build on the company's numerous patents and world firsts to guide the under counter industry in realizing its unlimited potential.