



A D A S E R I E S

Use and Care Guide

**Refrigerator Models:
ADA24**



ADA24R



ADA24RGL

Introduction

Congratulations on your purchase of a U-Line refrigeration product. U-Line Corporation, a pioneer in the appliance industry for more than 40 years, is the world's number one manufacturer of built-in, undercounter, specialty refrigeration and ice making products. U-Line dedicates 100% of its research and development to these products. U-Line technology consistently leads the market with innovation, design, depth of product line and performance.

U-Line products are making life more convenient in homes, businesses, and hotels around the world. U-Line supports its products with a strong dealer network, and the U-Line commitment to quality even extends to environmental safe packaging.

IMPORTANT

READ all instructions in this guide completely before using the appliance for the first time.

For future reference, keep this guide in a safe, accessible location. If you need additional information or assistance, please contact U-Line Corporation direct. Contact information appears on the back cover of this guide.

If you have a problem with this appliance, the SERVICE section of this guide will help you quickly identify common problems and provide information on possible cause and remedy. If your product needs service, contact U-Line direct.

Warranty Registration

Located on the inside rear cover of this guide is your U-Line Corporation Limited Warranty . Register the product and the original purchase date to validate your warranty. Included in the package containing this guide is a Warranty Registration Card. Complete and mail the Warranty Registration Card, or register your product online at www.U-LineService.com as soon as possible after purchase.

If there is a request for warranty coverage and your product registration is not on file, the date of sale to the U-Line Selling Dealer or Distributor will establish the first date of warranty coverage for your product .

Please Record Your Model Information

You will need your product model and serial number when you request additional information or services. You can find this information on the serial plate located on the upper right or back wall in the interior of your product. This information also appears on the warranty registration card.



Figure 1

Please record the model number (**Figure 1, 1**), serial number (**Figure 1, 2**), date of purchase, and dealer contact information for your U-Line product below:

Model Number:

Dealer Name:

Serial Number:

Dealer Address:

Purchase Date:

Dealer Telephone:

1 Table of Contents

ADA24

Introduction	Inside Front Cover
Warranty Registration	Inside Front Cover
Please Record Your Model Information	Inside Front Cover
Table of Contents	1
Safety Precautions	2
Safety Alert Definitions	2
General Precautions	2
Product Features	3
Origins Refrigerator ADA24R, ADA24RGL	3
Operation	3
Air Flow	3
Initial Startup	3
Interior Lighting	4
Electronic Control Panel	4
Normal Operating Sounds	6
Outdoor, Marine and RV Usage	6
Storage, Vacation, Moving	6
Product Disposal	6
General Cleaning	7
Cleaning and Maintenance	7
Maintenance	7
Service	12
Before Calling for Service	12
If Service is Required	12
Replacement Parts	12
Troubleshooting Guide	13
Electronic Control Quick Guide	15
U-Line Corporation Limited Warranty	Inside Back Cover

2 Safety Precautions

IMPORTANT

PLEASE READ all instructions completely before attempting to install, operate, or service your unit.

- Proper installation procedures must be followed if this unit is being initially installed, or is moved to a new location after being in service. An **INSTALLATION GUIDE** for your unit, providing complete installation information is available from U-Line Corporation directly, and must be consulted before any installation is begun. U-Line contact information appears on the rear cover of this guide.
- This unit requires connection to a grounded (three-prong), polarized receptacle that has been placed by a qualified electrician in accordance with applicable electrical codes.

Safety Alert Definitions

Safety items throughout this guide are labeled with a Danger, Warning or Caution based on the risk type:

DANGER

Danger means that failure to follow this safety statement will result in severe personal injury or death.

WARNING

Warning means that failure to follow this safety statement could result in serious personal injury or death.

CAUTION

Caution means that failure to follow this safety statement may result in minor or moderate personal injury, property or equipment damage.

General Precautions

Use this appliance for its intended purpose only and follow these general precautions along with those listed throughout this guide:

DANGER

RISK OF CHILD ENTRAPMENT. Before you throw away your old refrigerator or freezer, take off the doors and leave shelves in place so that children may not easily climb inside.

WARNING

SHOCK HAZARD - Electrical Grounding Required.

- Never attempt to repair or perform maintenance on the unit until the electricity has been disconnected.
- Never remove the round grounding prong from the plug and never use a two-prong grounding adapter.
- Altering, cutting of power cord, removal of power cord, removal of power plug, or direct wiring can cause serious injury, fire and/or loss of property and/or life, and will void the warranty.
- Never use an extension cord to connect power to the unit.
- Always keep your working area dry.

CAUTION

- Use care when moving and handling the unit. Use gloves to prevent personal injury from sharp edges.
- If your model requires defrosting, **DO NOT** use any type of heater to defrost. Using a heater to speed up defrosting can cause personal injury and damage to the inner lining.

IMPORTANT

- Do not lift unit by door handle.
- Never install or operate the unit behind closed doors. Be sure front grille is free of obstruction. Obstructing free air flow can cause the unit to malfunction and may void the warranty.
- Failure to clean the condenser every three months can cause the unit to malfunction. This could void the warranty.
- Allow unit temperature to stabilize for 24 hours before use.
- If your model requires defrosting, never use an ice pick or other sharp instrument to help speed up defrosting. These instruments can puncture the inner lining or damage the cooling unit.
- Use only genuine U-Line replacement parts. Imitation parts can damage the unit, affect its operation or performance and may void the warranty.

3 Product Features

Origins Refrigerator ADA24R, ADA24RGL

- Features an electronic control panel with digital display that allows you to display the interior temperature and adjust the setting to your preference. The electronic control and digital display provide an attractive appearance and its method of control permits precise temperature settings.
- An interior light illuminates automatically as the cabinet door is opened. Another mode of operation is available. A blackout/Sabbath mode (not Star K certified) allows you to darken both interior light and the LED display, while maintaining complete temperature control in the unit.
- Qualifies for the U.S. Government ENERGY STAR program.
- Maintenance-free automatic (cycle) defrost.
- A generous capacity, one piece molded interior is very durable and easy to clean.
- Provides 5.27 cu ft (161 L) of refrigeration.
- Four adjustable wire shelves are used, may be positioned evenly throughout the interior to use all space efficiently.
- All black solid door models accommodate custom flat or raised door panels, and can achieve a custom, built-in look by matching surrounding cabinets. Please visit www.u-line.com for additional panel information.
- Doors on black models are field-reversible. Stainless steel doors are not field-reversible.
- Door locks are factory-installed.
- Vinyl clad steel cabinets provide a rich textured look, and resist scratching, peeling, or flaking.

4 Operation

Air Flow

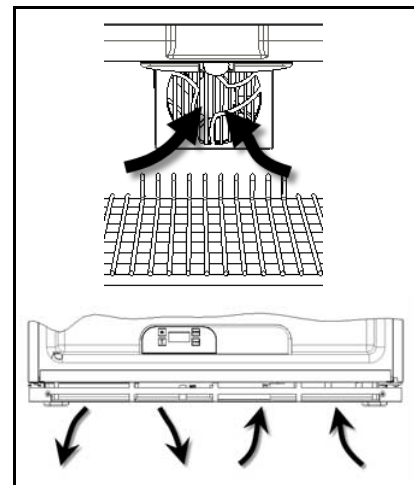


Figure 1

IMPORTANT

Do not place any obstructions in front of the fan found inside the refrigerator. Do not place any obstructions in front of the grille found at the bottom of the refrigerator. Blocking airflow (Figure 1) will cause the unit to not cool properly.

IMPORTANT

Blocking airflow (Figure 1) will cause the icemaker to not cool properly.

Initial Startup

All U-Line units are shipped with controls that are preset. No initial adjustments are required.

IMPORTANT

U-Line recommends the unit be allowed to run overnight prior to loading with product.

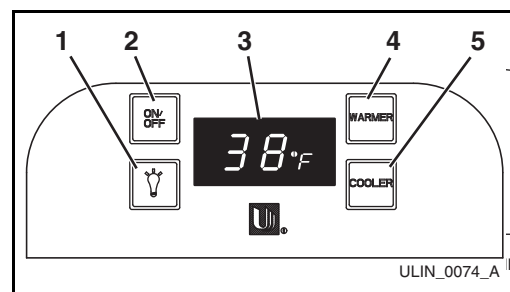


Figure 2

To turn the unit ON or OFF, press and hold the ON/OFF button (**Figure 2, 1**) for approximately ten seconds and release. The display will show the unit set-point temperature when turned ON and display OFF when the unit is OFF.

Interior Lighting

The interior of the cabinet can be illuminated whenever the door is opened or remained darkened for a 36-hour period (blackout/Sabbath mode [not Star K certified]).

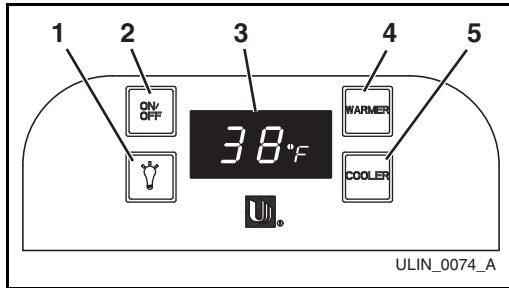


Figure 3

The LIGHT button (**Figure 3, 1**) on the control panel is used to change the lighting functions.

To turn the lights and display OFF for a preset 36-hour interval (blackout/Sabbath mode [not Star K certified]):

1. Press and hold the LIGHT button (**Figure 3, 1**) for ten seconds and release (the °F symbol will flash briefly at the end of the ten second period).
2. The interior light and control display (**Figure 3, 3**) will go dark for the next 36 hours.

NOTE: Although the display will not be visible, the temperature controls in the unit remain active, and the interior temperature will be maintained.

3. To exit the blackout/Sabbath mode (not Star K certified) before the 36-hour period, repeat Step 1.

Electronic Control Panel

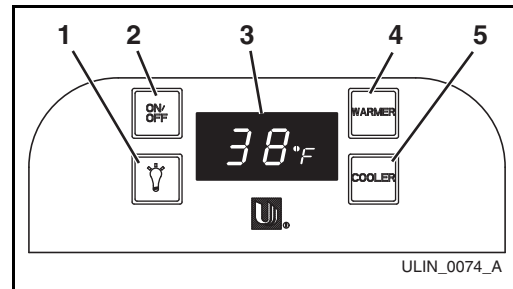


Figure 4

The electronic control with digital display (**Figure 4**) is configured to show a single temperature continuously. This set-point temperature is a base number used by the controller to maintain the temperature zone in your unit. The factory default set-point is 38°F. This set-point temperature is used as a gauge if further temperature adjustments are required.

Temperature Display Selection

U-Line products supplied for 110 VAC operation have temperatures displayed in a default Fahrenheit (°F) configuration (**Figure 4, 3**). Models supplied for 220 VAC operation have temperatures displayed in a default Celsius (°C) configuration.

The display can easily be adjusted for either type of temperature display. Press and hold the LIGHT button (**Figure 4, 1**) and simultaneously within five seconds press the COOLER button (**Figure 4, 5**) three times to change the display as desired.

Temperature Display

To display actual temperature:

1. Press the WARMER button (**Figure 4, 4**) for five seconds. The display (**Figure 4, 3**) will indicate the actual temperature.
2. After approximately 10 seconds, the set point temperature will return to the display.

Checking Product Temperature

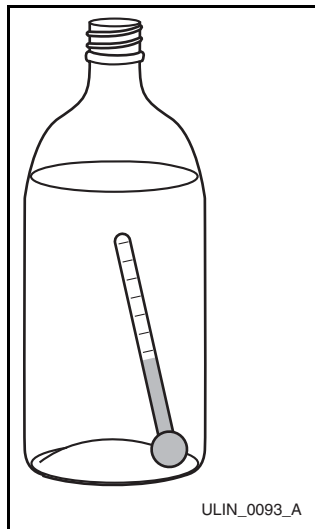


Figure 5

IMPORTANT

U-Line recommends a set temperature of 38°F on all refrigerators.

To check the actual product temperature in your unit, insert an accurate thermometer into a plastic (non-breakable) bottle that is partially filled with water. Tighten the bottle cap securely (**Figure 5**).

Place the bottle in the desired area for 24 hours. Refrain from opening the unit during the testing period. After 24 hours, check the temperature of the water. If required, adjust the temperature control in a small increment (See ADJUSTING TEMPERATURE).

Factors which affect the internal temperatures of the cabinet include:

- Temperature setting.
- Ambient temperature where installed.
- The number of times and length of time a door is opened and closed.
- The amount of time the internal light is illuminated. (This affects primarily product on top rack or shelf.)
- Installation in direct sunlight or near a heat source.

Adjusting Temperature

IMPORTANT

Adjust the set point temperature in single increments, and wait 24 hours for the temperature to stabilize before rechecking.

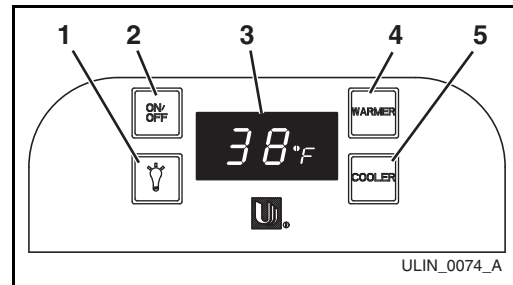


Figure 6

To adjust the set point temperature:

1. Press and release either the **WARMER (Figure 6, 4)** or **COOLER (Figure 6, 5)** button to put the controller in the SET TEMPERATURE mode. The °F (or °C) symbol will begin to flash.

NOTE: If no further action is taken, this mode will self cancel in five seconds, and the original set-point temperature will be displayed.

2. Within five seconds (while the °F (or °C) symbol is flashing), press the **WARMER** or **COOLER** button as required to adjust the set point temperature.
3. The change will be set five seconds after adjusting the temperature, and the new set-point will be displayed (**Figure 6, 3**).

Many factors can affect the internal temperatures of the cabinet. They include:

- Temperature setting.
- Ambient temperature where installed.
- The number of times and length of time the door is opened and closed.
- The amount of time the internal light is illuminated. (This affects primarily product on top rack or shelf.)
- Installation in direct sunlight or near a heat source.

Normal Operating Sounds

All models incorporate rigid foam insulated cabinets to provide high thermal efficiency and maximum sound reduction for its internal working components. In spite of this technology, your model may make sounds that are unfamiliar.

Normal operating sounds may be more noticeable because of the unit's environment. Hard surfaces such as cabinets, wood/vinyl/tiled floors and paneled walls have a tendency to reflect normal appliance operating noises.

Common refrigeration components, and a brief description of the normal operating sounds they make, are listed below. **NOTE:** Your product may not contain all of the components listed.

- Compressor: The compressor makes a hum or pulsing sound that may be heard when it operates.
- Evaporator: Refrigerant flowing through an evaporator may sound like boiling liquid.
- Condenser Fan: Air moving through a condenser may be heard.
- Automatic Defrost/Drain Pan: Water may be heard dripping or running into the drain pan when the unit is in the defrost cycle.

Outdoor, Marine and RV Usage

Some U-Line models are designed to operate in outdoor, marine and RV environments. For best performance, keep the unit out of direct sunlight.

- If the unit will be shut off for five days or more, prop door open to allow for air circulation and prevent mold and mildew.

IMPORTANT

If the ambient temperature is expected to drop below 50°F, turn off and unplug unit, and drain all water from the unit to prevent freezing damage not covered by the warranty.

- High ambient temperatures (100°F or higher) may reduce the unit's ability to reach low temperatures.

Storage, Vacation, Moving

If the unit will not be used for an extended period, or otherwise stored, follow these steps completely:

WARNING

Electrical Shock Hazard. Disconnect power before servicing. Before operating, replace all panels. Failure to do so may result in death or electrical shock.

1. Remove all consumable contents from the unit.
2. Disconnect the power cord from its outlet, and leave it disconnected until the unit is returned to service.
3. Clean and dry the interior of the cabinet (See CLEANING AND MAINTENANCE: GENERAL CLEANING).
4. During periods of non-use, the cabinet must remain open to prevent the formation of mold and mildew. Open door a minimum of 2 in. (5 cm) to provide the necessary ventilation.

Product Disposal

If the unit is being removed from service for disposal, check and obey all Federal, State and/or Local regulations regarding the disposal and recycling of refrigeration appliances, and follow these steps completely:

1. Remove all consumable contents from the unit.
2. Disconnect power to the unit and unplug the power cord from its outlet.

DANGER

RISK OF CHILD ENTRAPMENT. Before you throw away your old refrigerator or freezer, take off the doors and leave shelves in place so that children may not easily climb inside.

3. Remove the cabinet door.

5 Cleaning and Maintenance

General Cleaning

Exterior Cleaning (As Required)

Vinyl Clad (Black or White) Models:

- Surfaces may be cleaned with a mild detergent and warm water solution. Do not use solvent-based or abrasive cleaners. Use a soft sponge and rinse with clean water. Wipe with a soft, clean towel to prevent water spotting.
- Clean any glass surfaces with a non-chlorine glass cleaner.

Stainless Doors:

- Stainless door panels, handles and frames can discolor when exposed to chlorine gas, pool chemicals, salt water or cleaners with bleach.
- Keep your stainless unit looking new by cleaning with a good quality all-in-one stainless steel cleaner/polish on a monthly basis. For best results use Claire® Stainless Steel Polish and Cleaner, which can be purchased from U-Line Corporation (P/N 173348). Comparable products are acceptable. Frequent cleaning will remove surface contamination that could lead to rust. Some installations may require cleaning on a weekly basis.
- **Do not clean with steel wool pads.**
- **Do not use stainless steel cleaners/polishes on any glass surfaces.**
- Clean any glass surfaces with a non-chlorine glass cleaner.
- **Do not use cleaners that are not specifically intended for stainless steel on stainless surfaces (this includes glass, tile and counter cleaners).**
- If any surface discoloring or rusting appears, clean it quickly with Bon-Ami® or Barkeepers Friend Cleanser® and a non-abrasive cloth. Always clean in the direction of the grain. Always finish this process with Claire Stainless Steel Polish and Cleaner or comparable product to prevent further problems.
- **Using abrasive pads such as Scotchbrite™ will cause the graining in the stainless to become blurred.**
- Rust that is not cleaned up promptly can penetrate into the surface of the stainless steel and complete removal of the rust may not be possible.

Interior Cleaning (As Required)

- Disconnect power to the unit. Clean the interior and all removed components using a mild non-abrasive detergent and warm water solution applied with a soft sponge or non-abrasive cloth. Rinse the interior using a soft sponge and clean water.
- Do not use any solvent-based or abrasive cleaners. These types of cleaners may transmit taste to the interior products and damage or discolor the interior.

Maintenance

Proper maintenance of your U-Line product will ensure efficiency, top performance and long life. The maintenance intervals listed are based on normal conditions. You may want to shorten the intervals if you have pets or other special considerations.

Defrosting

Automatic (Cycle) Defrost Models

Automatic defrost models do not produce frost in normal operating conditions. However, a frost pattern may be noticed on the interior walls if the unit is repeatedly opened in a high heat or high humidity location. If this frost pattern does not clear within 24 hours, your unit will require manual defrosting.

WARNING

DO NOT use any type of electrical heating device, ice pick, knife or other sharp instrument to defrost; this could damage the inner lining or refrigeration system and void the warranty.

IMPORTANT

The drain pan was not designed to capture the water created when manually defrosting. To prevent water from overflowing the drain pan, place towels or other absorbent materials over the interior drain trough, under the evaporator (Figure 7, 1), before defrosting.

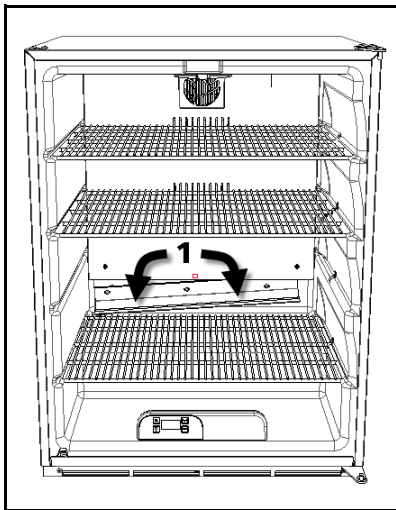


Figure 7

To defrost:

1. Turn unit off.
2. Remove all products from the interior and prop the door in an open position (2 in. (5 cm) minimum).
3. Allow the frost to completely melt naturally. Clean the interior and all removed components using a mild non-abrasive detergent and warm water solution applied with a soft sponge or non-abrasive cloth. **NOTE:** DO NOT use any solvent-based or abrasive cleaners. They will discolor or damage the interior.

4. Dampen a soft sponge or non-abrasive cloth in clean water and wipe down the cabinet interior and removed components to remove any detergent residue. Rinse the sponge or cloth in clean water and repeat as necessary until the cabinet and components are clean.
5. When the interior is dry, turn unit on.

Leveling

It is important that units equipped with adjustable feet are level, for proper door and ice maker (if equipped)

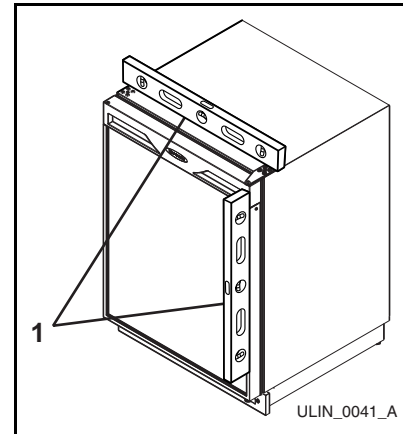


Figure 8

1. Use a level to check the levelness of the unit from front to back and from side to side. Level should be placed along top edge and side edge as shown (Figure 8).

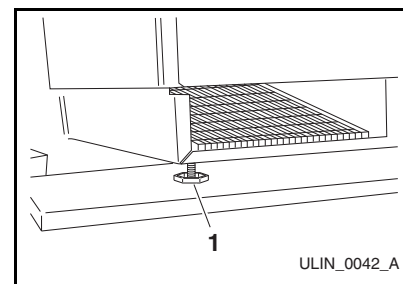


Figure 9

2. If the unit is not level, adjust the feet on the corners of the unit as necessary (Figure 9).
3. Check the levelness after each adjustment and repeat the previous steps until the unit is level.

Wire Shelf Removal/Installation

Reposition the shelves as follows:

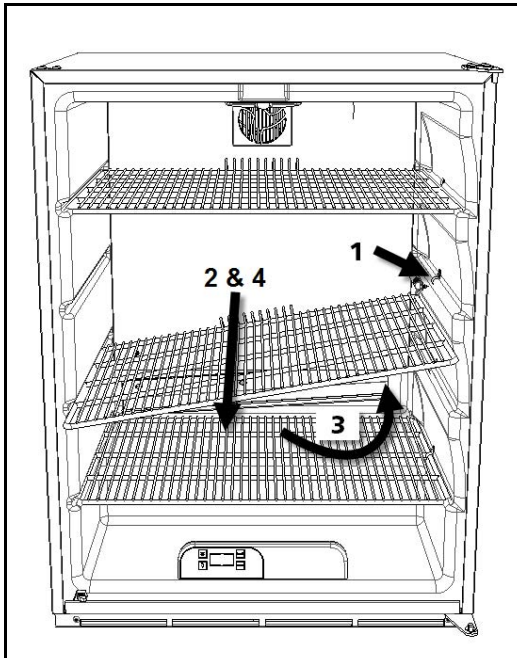


Figure 10

1. Remove shelf retention clip.
2. Pull shelf out about 6" (**Figure 10, 1**), until back of shelf clears the "hump" on the right-hand side.
3. Tilt up right-hand edge of shelf (**Figure 10, 2**).
4. Remove shelf from unit by pulling out (**Figure 10, 3**).

Insert the shelves as follows:

1. To move to a different position in the unit, insert shelf at an angle, approximately 15-20°, over the rib in the side of the unit where you want to place the shelf. The shelf must be started into the unit at an angle to clear the door.
2. Continue to slide the shelf into the unit at an angle until it clears the door.
3. Lower the shelf and push it in completely.
4. Install shelf retention clip.

Light Bulb Replacement

To replace the light bulb in your U-Line unit:

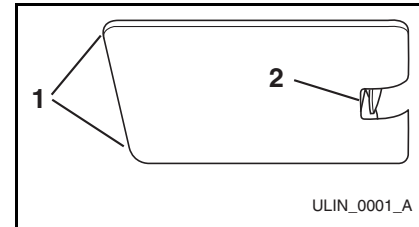


Figure 11

1. Grasp the edges of the light housing lens (**Figure 11, 1**) opposite the exposed tab, and gently push the lens towards the tab (**Figure 11, 2**).
2. Pull the edge of the lens down (**Figure 11, 1**), and swing it out of the light housing.

IMPORTANT

ALWAYS use a genuine U-Line replacement bulb (P/N 31317) in the light housing. Use of any other bulb within the housing will generate excessive heat, causing damage to the light housing and cabinet interior, and compromising the precise temperature control of your unit.

3. Replace the bulb only with a genuine U-Line P/N 31317 replacement.
4. Replace the lens by first inserting the tab side back into the housing at a slight angle. While gently pushing the lens towards the tab end, push the free end up into the housing, and release when you will hear a snap/click.

Door Alignment Check and Adjustment

IMPORTANT

Properly aligned, the door's gasket should be firmly in contact with the cabinet all the way around the door (no gaps). Carefully examine the door's gasket to assure that it is firmly in contact with the cabinet. Also make sure the door gasket is not pinched on the hinge side of the door.

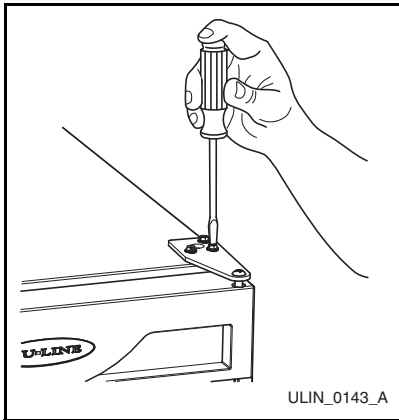


Figure 12

1. Loosen (do not remove) top (**Figure 12**) and bottom hinge screws.
2. Align door squarely with cabinet.
3. Make sure gasket is firmly in contact with cabinet all the way around the door (no gaps).
4. Tighten bottom hinge screws.
5. Tighten top hinge screws.

Door Reversal

Black or white unit doors may be left- or right-hand opening. Depending upon the location of the unit, it may be desirable to change the side on which the door is mounted.

6.

Black or White Model

To reverse the door, perform the following:

1. Remove the grille (two screws).

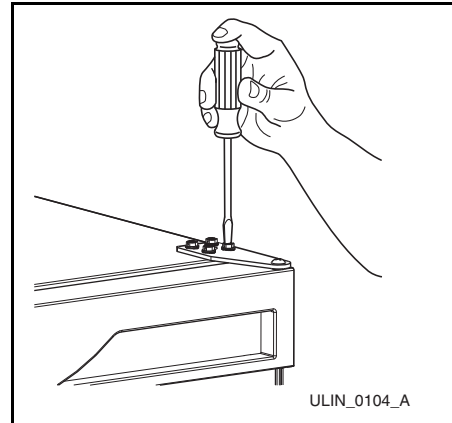


Figure 13

2. Remove top hinge from cabinet (four screws) (**Figure 13**). Hold door to keep it from falling.
3. Lift the door off the bottom hinge.

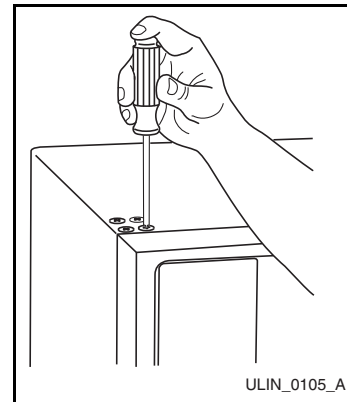


Figure 14

4. Remove four plastic plugs (**Figure 14**) in hinge holes, top of cabinet, opposite side. Be careful not to scratch cabinet.

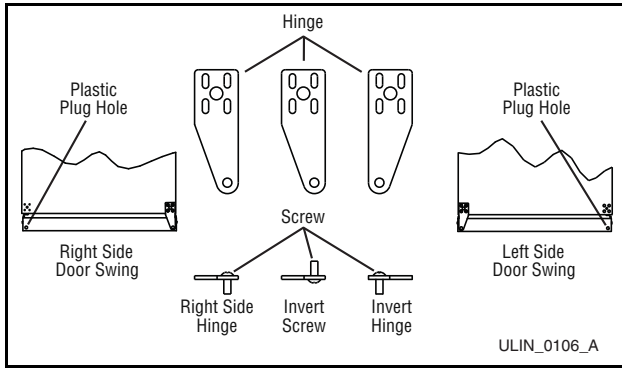


Figure 15

- Remove pivot screw from top hinge, invert screw and reinstall pivot screw in top hinge (**Figure 15**). Do not install hinge on cabinet at this time.

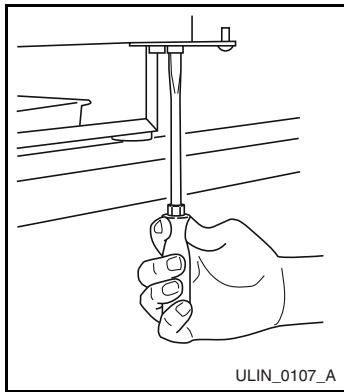


Figure 16

- Remove bottom hinge from cabinet (four screws) and screws on opposite side of cabinet (**Figure 16**).
- Remove pivot screw from bottom hinge, invert screw and reinstall pivot screw in hinge (**Figure 15**).

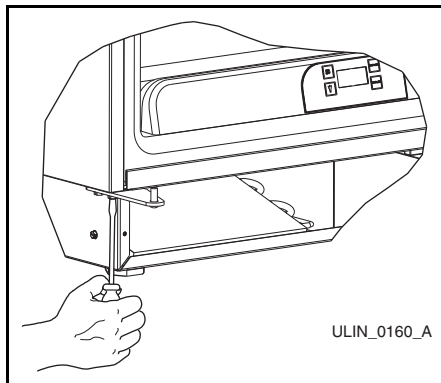


Figure 17

- Install bottom hinge on cabinet, opposite side, aligning flat edge of hinge with outer edge of unit (**Figure 17**). Partially tighten screws.

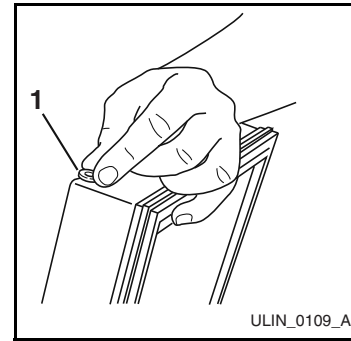


Figure 18

- Relocate plastic spacer/bushing (**Figure 18**) on bottom of door to the opposite side. Clean out bushing hole in door bottom if necessary.

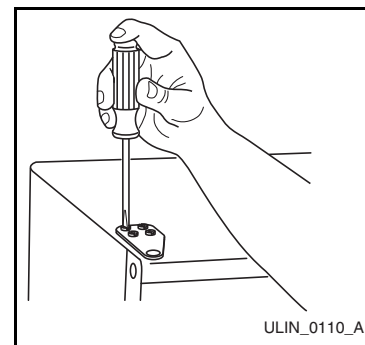


Figure 19

- Place door on lower hinge pin. Align flat edge of top hinge with outer edge of unit and fasten upper hinge to unit (four screws) (**Figure 19**). Partially tighten screws until door is aligned.
- Adjust door to assure proper seal. Tighten upper and lower hinge screws securely.
- Replace four plastic plugs removed in Step 4 into holes on top of unit. Replace screws in holes in bottom of unit on opposite side.
- Replace the grille.

6 Service

Before Calling for Service

If your U-Line product appears to be malfunctioning, read through the OPERATION section of this guide to ensure that the function of all controls are clearly understood. If the malfunction persists, the TROUBLESHOOTING GUIDE in this guide will assist you in quickly identifying common problems, and provide information on possible causes and remedies. Most often, this will resolve the problem without the need to call for service.

If Service is Required

If you do not understand a troubleshooting remedy, or your product needs service, contact U-Line Corporation directly. Contact information appears on the rear cover of this guide.

You will be asked for your product Model and Serial Numbers. This information should be recorded inside the front cover of this guide, following the products original purchase. It also appears on the Model and Serial number plate located on the upper right or rear wall of the interior of your product.

Replacement Parts

When you need replacement parts, always request that genuine U-Line replacements be used. U-Line products have been designed and engineered using components that work efficiently, and provide superior service life and performance. The use of aftermarket parts or components may affect the safety, operation, performance or durability of your product, and may also void its warranty.

Troubleshooting Guide



ELECTROCUTION HAZARD

Never attempt to repair or perform maintenance on the unit until the main electrical power has been disconnected.

NOTE: Recommended temperature setting is 38°.


















Troubleshooting - What to check when problems occur:

PROBLEM	POSSIBLE CAUSE	REMEDY
Unit does not operate and electronic display is blank.	No electrical supply	Plug unit in or check circuit breaker.
No interior light	Loose or burned out bulb	Tighten or replace bulb (See MAINTENANCE; LIGHT BULB REPLACEMENT).
Light won't go out when door is closed (Model 1175BEV).	Light on/off switch is turned to ON.	Turn switch to OFF (See OPERATION).
Unit not cold enough	Light staying on	Adjust door (See MAINTENANCE; DOOR ALIGNMENT CHECK AND ADJUSTMENT).
	Door gasket not sealing properly	Adjust door (See MAINTENANCE; DOOR ALIGNMENT CHECK AND ADJUSTMENT).
	Item(s) interfering with door	Reposition or remove item(s).
	Dirty condenser coils	Clean condenser (See MAINTENANCE; CONDENSER CLEANING).
	Airflow to interior fan or front grille blocked	Airflow must not be obstructed to interior fan or front grille (See OPERATION).
	High ambient temperature or exposure to direct sunlight	Reposition unit.
	Temperature not set cold enough	Set control to a cooler setting (See OPERATION). Allow 24 hours for temperature to stabilize.
The unit frosts up.	Door gasket not sealing properly. Door left open	Adjust door (See MAINTENANCE; DOOR ALIGNMENT CHECK AND ADJUSTMENT).
	High ambient temperatures or humidity	Defrost unit manually (See MAINTENANCE; DEFROSTING).
Noise during operation	Certain sounds are normal.	Soft sounds from the fan and water/dropping sounds from the ice maker will be heard.
	Fan blade touching obstruction (wiring, foam insulation, etc.)	Remove obstruction.
Unit too cold	Temperature control set too cold	Set control to warmer setting (See OPERATION).
Freezing product	Product touching evaporator in back of unit	Move product away from evaporator, making sure it is not touching evaporator.







Troubleshooting - Models with an electronic display:

PROBLEM	POSSIBLE CAUSE	REMEDY
Electronic display is blank and interior light is off with door open.	Unit is in blackout/Sabbath mode (not Star K certified).	Exit blackout/Sabbath mode (not Star K certified) (See OPERATION).
Electronic display is blank and interior light is on with door open.	A display function has changed.	Touch and hold the WARMER button and touch and release the ON/OFF button three times, then release the temperature button. The display should become visible.
Electronic display shows repeating, randomly flashing symbols and partial characters.	A factory control mode has been inadvertently entered.	Touch and hold the warmer temperature button and touch and release the LIGHT button three times, then release the temperature button to exit the factory control mode. The set-point temperature should now be displayed.
Electronic display shows: 0, 1 to 16, or 99.	A factory control mode has been inadvertently entered.	Repeatedly touch the WARMER button to advance any number shown to 99 and touch and release the LIGHT button. The set-point temperature should now be displayed.
Electronic display shows one or more of the following: E1, E2, E4, E5, E6.	The unit is displaying an error code.	Record the error code(s) displayed and call for service.

Electronic Control Quick Guide

Task	Touch	Touch	Display	Comment
Turn ON/OFF	 Hold 10 seconds	Release when °F flashes.	 or 	
Adjust Temperature	 or  Touch and release	 or  Touch to change temperature		°F flashes after first touch, set-point saved after 5 seconds of inactivity and °F stops flashing.
View Actual Temp	 Hold 5 seconds	Release when °F flashes.		WC models will scroll top/mid/bottom temps.
Change F/C	 Hold	  	 or 	
Blackout Mode	 Hold 10 seconds		Display (and cabinet light) will not operate in Blackout Mode.	Blackout will end in 36 hours, or hold again to terminate early.

Glass Door Models Only

Cabinet Light				Light normally goes on/off with door opening. Pressing light button will turn interior light on for 4 hours, then it will turn off.
Display Off Mode		  		Display off when door is closed (unless cabinet light is turned on). Repeat to switch back.

NOTE: 38°F is an example; the display will vary with actual set-point.

IMPORTANT

Factory recommended set-point is 38°F for refrigerators and beverage centers, and 50°F for wine coolers.

U-Line Corporation Limited Warranty

1. U-Line Corporation ("U-Line") warrants each U-Line product to be free from defects in materials and workmanship for a period of one year from the date of purchase. U-Line further warrants the sealed system (consisting of the compressor, the condenser, the evaporator, the hot gas bypass valve, the dryer and the connecting tube) in each U-Line product to be free from defects in materials and workmanship for a period of five years from the date of purchase.

2. During the initial one year warranty period for all U-Line products U-Line shall: (1) repair any product or replace any part of a product; and (2) for all Marine, RV and Domestic U-Line products sold and serviced in the United States (including Alaska and Hawaii) and Canada, U-Line shall be responsible for the labor costs performed by a U-Line authorized service company, incurred in connection with the replacement of any defective part. During years two through five of the warranty period for the sealed system, U-Line shall: (1) at U-line's option repair or replace any part of the sealed system; and (2) for all Marine, RV and Domestic U-Line products sold and serviced in the United States (including Alaska and Hawaii) and Canada, U-Line shall be responsible for the labor costs incurred in connection with the replacement of any defective part of the sealed system. All other charges, including transportation charges for replacements under this warranty and labor costs not specifically covered by this warranty, shall be the responsibility of the purchaser. This warranty extends only to the original purchaser of the U-Line product. The registration Card included with the product should be promptly completed by you and mailed back to U-Line or you can register on-line at www.u-lineservice.com.

3. The following conditions are excluded from this limited warranty: damage caused by outdoor use; use of cleaners other than the recommended stainless steel cleaners and U-Line Clear Ice Maker cleaner; installation charges; damages caused by disasters or acts of God, such as fire, floods, wind and lightning; damages incurred or resulting from shipping, improper installation, unauthorized modification, or misuse/abuse of the product; customer education calls; food loss and spoilage; door and water level adjustments (except during the first 30 days from the date of installation); defrosting the product; adjusting the controls; door reversal; and cleaning the condenser.

4. U-Lines' Outdoor Limited Warranty, set forth in this Paragraph 4, shall apply to U-Line models deemed suitable for outdoor use by Underwriters Laboratory ("UL") as noted in the U-Line Product Catalog, U-Line's website and/or on the serial tag located inside the product. Exposure to temperatures below freezing may cause damage to the product. Damage resulting to the product (and/or the surroundings) caused by this exposure is not covered under this warranty. Such models shall

continue to be covered by the warranty terms set forth in Paragraphs 1 and 2 above, to the extent such models:

A. Are subjected to temperatures between 50 and 100 degrees Fahrenheit. Although these products will function in ambient temperatures below 50 degrees and above 100 degrees Fahrenheit, performance may decline. Performance degradation due to operating above or below the designated ambient temperature range is not a manufacturing defect and any issues resulting from exposure to higher temperatures, such as spoiled food or low ice production, are not covered under this warranty policy; and/or

B. Come into contact with rain by virtue of outdoor use. Exposure to other sources of water shall also cause this warranty to be void, including flooding of the area in proximity of the unit greater than 1/8" deep in water, hurricanes, splashing of pool water, or directing a spray from a hose or similar device into and around the unit.

5. If a product defect is discovered during the applicable warranty period, you must promptly notify either U-Line at P.O. Box 245040, Milwaukee, Wisconsin 53224 or at 800-779-2547 or the dealer from whom you purchased the product. In no event shall such notification be received later than 30 days after the expiration of the applicable warranty period. U-line may require that defective parts be returned, at your expense, to U-Line's factory in Milwaukee, Wisconsin, for inspection. Any action by you for breach of warranty must be commenced within one year after the applicable warranty period.

6. THIS LIMITED WARRANTY IS IN LIEU OF ANY AND ALL OTHER WARRANTIES, EXPRESS OR IMPLIED, INCLUDING ANY IMPLIED WARRANTY OF MERCHANTABILITY OR IMPLIED WARRANTY OF FITNESS FOR A PARTICULAR PURPOSE, ALL OF WHICH ARE DISCLAIMED. U-Line's sole liability and your exclusive remedy under this warranty is set forth in the paragraphs above. U-Line shall have no liability whatsoever for any incidental, consequential or special damages arising from the sale, use or installation of the product or from any other cause whatsoever, whether based on warranty (express or implied) or otherwise based on contract, tort or any other theory of liability.

7. Some states do not allow limitations on how long an implied warranty lasts or the exclusion or limitation of incidental or consequential damages, so the above limitations may not apply to you. This warranty gives you specific legal rights, and you may also have other rights which vary from state to state.



For General Inquiries:

U-Line Coporation
P.O. Box 245040
Milwaukee, Wisconsin
53224-9540 U.S.A.
Phone (414) 354-0300
FAX (414) 354-7905
Email: sales@u-line.com
www.u-line.com

For Service Assistance:

Phone (800) 779-2547
FAX (414) 354-5696
Email:
onlineservice@u-line.com
www.u-lineservice.com

For Parts Assistance:

E-mail:
onlineparts@u-line.com

A D A S E R I E S

PRODUCT INFORMATION

Installation Guides with complete installation information, Custom Wood Panel Size Specifications & Installation Instructions, CAD Drawings, Use and Care Guides, Specifications & Feature Benefits are available for viewing and download on-line at www.u-line.com/specs/.

SERVICE INFORMATION

If you have a problem with this appliance, your use and care guide has troubleshhoting information to help you quickly identify common problems and provide information on possible cause and remedy. Answers to Customers Frequently Asked Questions are available at www.u-line.com/customer/faq.cfm. You may contact U-Line directly:

U-Line Corporation, located in Milwaukee, WI, is a family operated manufacturer of built-in undercounter ice makers, Combo® ice maker/refrigerators, Wine Captain® wine storage units, refrigerators, refrigerated drawers and refrigerator/freezers.