



Échelon Series

Installation Guide



CLR2160 — Clear Ice Maker **CLRC02175 Combo® —** **Clear Ice Maker/Refrigerator**

www.U-LineService.com

Phone (414) 354-0300 • FAX (414) 354-7905
Service & Parts Tech Lines Phone (800) 779-2547 • FAX (414) 354-5696
OnlineService@U-Line.com

©2008 U-Line Corporation
03/2008

Contents

Contents 2

1-Follow Safety Precautions 2

2-Inspect and Plan 3

 Exterior Cleaning 4

3-Prepare Site 5

 Cut-Out Dimensions CLR2160 5

 Product Dimensions CLR2160 5

 Door Swing/Clearances Information CLR2160 5

 Cut-Out Dimensions CLRCO2175 6

 Product Dimensions CLRCO2175 6

 Door Swing/Clearances Information CLRCO2175 6

 Reversing the Door 7

 Other Site Requirements 8

 Side-By-Side Installation Instructions CLR2160 8

 Side-By-Side Installation Instructions CLRCO2175 9

4-Prepare and Install Door Panel 9

 Custom 1/4" Door Panel Insert 9

 Full Overlay Door Panel 10

5-Adjust Door 14

 Checking Door Alignment 14

 Adjusting Door Alignment 14

6-Prepare Plumbing 15

 Water Supply Connection 15

 Drain Connection 15

 Final Water/Drain Connection 18

Electrical Specifications 20

Level the Unit 20

7-Prepare Power Supply 20

 Electrical Specifications 20

8-Level the Unit 20

 Leveling Information 20

 Installation Tip 21

9-Install the Unit 21

 Installation of the CLR2160 21

 Installation of the CLRCO2175 21

 Relocating the Shelves (CLRCO2175) 22

 Installation Troubleshooting 22

10-Start-Up for the First Time 23

 Initial Start-Up 23

 Start-Up Troubleshooting 24

Who to Call 24

 Service Information 24

1 Follow Safety Precautions

IMPORTANT

PLEASE READ all instructions completely before attempting to install or operate the unit.

- This unit requires connection to the water supply. Improper hook-up can result in substantial property damage! If you are unsure of your ability to safely connect the water supply to the unit, consult a licensed plumber for assistance.
- This unit requires connection to a drain. Improper connection can result in substantial property damage! If you are unsure of your ability to safely connect the unit to a drain, consult a licensed plumber for assistance.
- This unit requires connection to a grounded (three-prong), polarized receptacle that has been placed by a qualified electrician in accordance with applicable electrical codes.

Safety Alert Definitions

Safety items throughout this guide are labeled with a Danger, Warning or Caution based on the risk type:

⚠ DANGER

Danger means that failure to follow this safety statement will result in severe personal injury or death.

⚠ WARNING

Warning means that failure to follow this safety statement could result in serious personal injury, or death.

⚠ CAUTION

Caution means that failure to follow this safety statement may result in minor or moderate personal injury, property or equipment damage.

General Precautions

Use this appliance for its intended purpose only and follow these general precautions along with those listed throughout this guide:

WARNING

SHOCK HAZARD — Electrical Grounding Required.

- **Keep the unit unplugged throughout installation except during testing.**
- **Never remove the round grounding prong from the plug and never use a two-prong grounding adapter.**
- **Never use an extension cord to connect power to the unit.**
- **Always keep your working area dry.**

CAUTION

- Use care when moving and handling the unit. Use gloves to prevent personal injury from sharp edges.
- Do not lift the unit by the door or door handle.
- Do not install the unit behind closed doors or in any way that would obstruct airflow to the front grille, which may cause the unit to malfunction.

2 Inspect and Plan

You have received a carton containing your CLR2160 Ice Maker or CLRCO2175 Clear Ice Maker/Refrigerator with a package inside containing a Use and Care Guide, a Drain and Water Installation Instruction sheet, a Product Registration Card and water connection parts. Complete and mail the Product Registration Card or register online at www.U-LineService.com. Once your unit is installed, keep the Use and Care Guide and this Installation Guide in a safe place for future reference.

Your unit is Black, White or Stainless Steel. Black and White units have a reversible door with a slightly contoured handle across the top. They come with a flush mounted door panel that, when removed, will accept a custom 1/4-inch thick door panel or a 3/4-inch thick full overlay door panel. Stainless Steel units are covered with a protective coating and have been ordered left- or right-hand hinged. The Stainless doors are not reversible and do not accept custom panels. CLR2160 Ice Makers/CLRCO2175 Clear Ice Maker/Refrigerators may be ordered with or without a factory-installed drain pump. Please carefully follow the directions that apply to your unit and your intended design.

Tools/Materials Required

- Screwdrivers — slotted and Phillips head
- 1/4" Nut driver (optional)
- 5/16" Nut driver (optional)
- Slide cutter
- Copper tubing cutter
- 12" Level
- 9/16" Open end wrench
- 7/16" Open end wrench
- Pliers
- (1) Brass garden hose fitting (supplied with product)
- ** (10' or more depending on water supply location) 1/4" O.D. soft copper tubing
- **A complete water hook up kit is available for purchase from your dealer. Order U-Line Part No. WATERHOOKUP.
- * (10' or more depending on drain location) 5/8" I.D. braid reinforced PVC drain tubing
- *(3) 11/16" to 1 1/4" Clamp range worm drive hose clamps
- *(1) Nylon barbed coupling for 5/8" I.D. hose
- *(1) 5/8" to 7/8" adapter (optional)
- P60 Drain Pump (if required and not already factory installed, see **Page 17**)
- 1/4-inch thick door panel material and cutting tools (Black or White units) (If installing a 1/4" Panel)
- Full Overlay Door Panel Kit (part number U-OL2175B — Black or part number U-OL2175W — White), 3/4-inch door panel overlay, cutting tools, drill and bits (Black or White units) (If installing a 3/4" Full Overlay)

Note: Items with an "*" in front of them may have been shipped inside your unit. If not, these items can be purchased in a kit from your dealer. Order U-Line Part No. U-CLRDRAINKIT and this kit will contain all these items. These items are only sold as a kit, and not sold separately.

Inspection

Unwrap and inspect the unit on a flat, level surface capable of supporting its entire weight.

Removing Protective Coating

(Stainless Steel Units Only)

When inspecting/installing a Stainless Steel unit, the protective coating covering the unit must be removed first. Start at a corner of the unit/door and pull back the protective coating to remove it from the unit/door.

After all the protective coating has been removed from the unit/door, clean all Stainless Steel surfaces with Claire Stainless Steel Polish and Cleaner or comparable product or a mild detergent and warm water solution and soft cloth. Do NOT use abrasive cleaning agents.

Note: If cleaning with mild detergent and warm water solution and soft cloth, the unit MUST be treated with Claire Stainless Steel Polish and Cleaner or comparable product to prevent discoloration.

Exterior Cleaning

(As Required)

Black and White Models:

- The door, grille and cabinet may be cleaned with a mild detergent and warm water solution. Do not use solvent-based or abrasive cleaners. Use a soft sponge and rinse with clean water. Wipe with a soft, clean towel to prevent water spotting.

Stainless Steel Models:

- Stainless steel models can discolor when exposed to chlorine gas, pool chemicals, salt water or cleaners with bleach.
- Keep your stainless steel unit looking new by cleaning with a good quality all-in-one stainless steel cleaner/polish on a monthly basis. For best results use Claire Stainless Steel Polish and Cleaner, which can be purchased from U-Line Corporation. (The part number is 173348.) Comparable products are acceptable. Frequent cleaning will remove surface contamination that could lead to rust. Some installations may require cleaning on a weekly basis.
- **Do not clean with steel wool pads.**
- **Do not use cleaners that are not specifically intended for stainless steel (this includes glass, tile and counter cleaners).**
- If any surface discolors or rusting appears, clean it quickly with Bon-Ami or Barkeepers Friend Cleanser and a non-abrasive cloth. Always clean in the direction of the grain. Always finish this process with Claire Stainless Steel Polish and Cleaner or comparable product to prevent further problems.
- **Use of abrasive pads such as Scotchbrite will cause the graining in the stainless to become blurred.**
- Rust that is allowed to linger can penetrate into the surface of the stainless steel and complete removal of the rust may not be possible.

3 Prepare Site

Your U-Line product has been designed for either free-standing or built-in installation. When built-in, your unit does not require additional air space for top, sides or rear. However, the front grille must NOT be obstructed and clearance is required for water, drain and electrical connections in the rear.

Note: Unit can NOT be installed behind a closed cabinet door.

Cut-Out Dimensions CLR2160

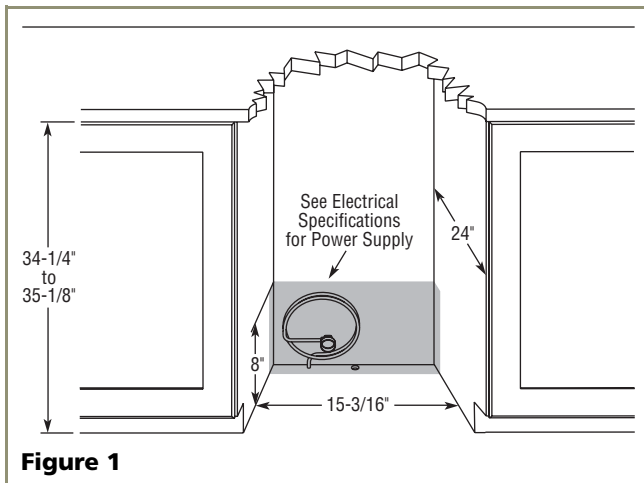


Figure 1

Follow the cut-out drawing in **Figure 1**. The 15-3/16" width allows 1/4" for ease in installation and removal of the unit. The 24" depth is the cabinet depth in most installations. The unit is 24" deep including the handle on Black and White models and 24" deep including the door and *not* the handle on Stainless Steel models (see **Figure 2**).

IMPORTANT

If you would like to align the face of the unit with other adjacent cabinet doors in certain installations, you may need to alter the wall just behind the drain connection on the unit to accommodate the drain. The actual amount of alteration will be determined by your actual drain connection components.

Product Dimensions CLR2160

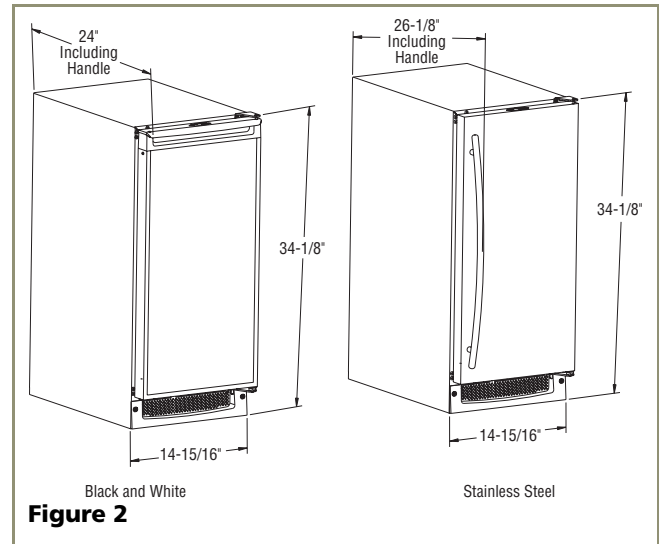


Figure 2

Please note that the unit has adjustable feet that can add one additional inch to height during leveling or to match adjacent cabinets (see **Figure 50** on **Page 21**).

Door Swing/Clearances Information CLR2160

Black and White units have a zero clearance for the door to open 90° (see **Figure 3**). Stainless Steel models require a minimum of 2-1/8" door clearance to accommodate the handle if the unit is installed next to a wall or similar type of structure.

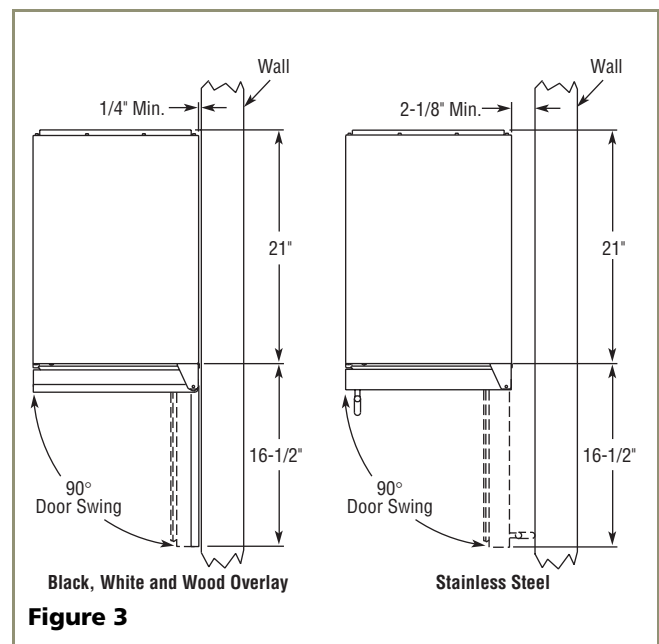
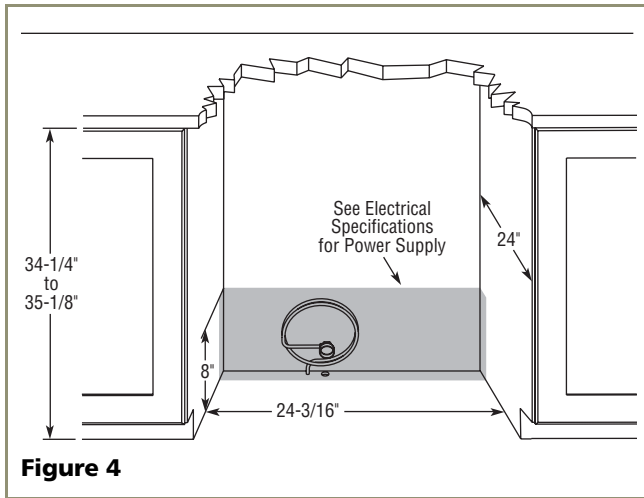


Figure 3

Cut-Out Dimensions CLRCO2175

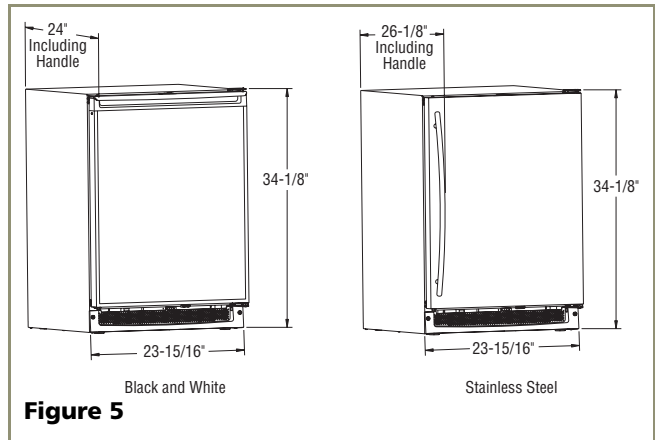


Follow the cut-out drawing in **Figure 4**. The 24-3/16" width allows 1/4" for ease in installation and removal of the unit. The 24" depth is the cabinet depth in most installations. The unit is 24" deep including the handle on Black and White models and 24" deep including the door and *not* the handle on Stainless Steel models (see **Figure 5**).

IMPORTANT

If you would like to align the face of the unit with other adjacent cabinet doors in certain installations, you may need to alter the wall just behind the drain connection on the unit to accommodate the drain. The actual amount of alteration will be determined by your actual drain connection components.

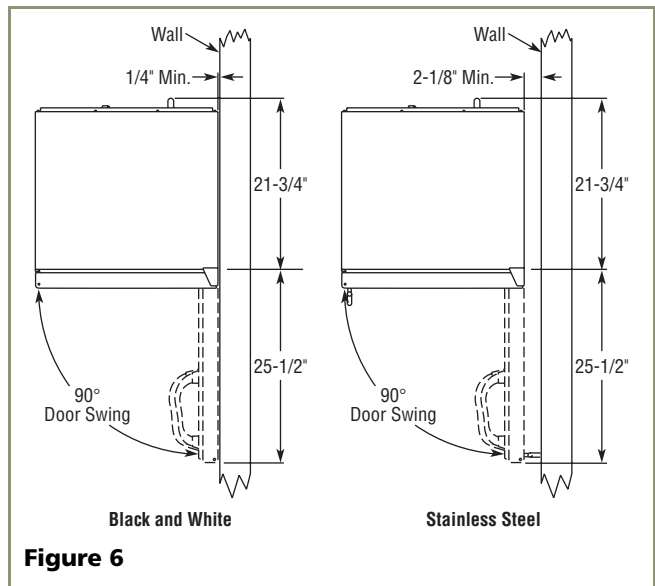
Product Dimensions CLRCO2175



Please note that the unit has adjustable feet that can add one additional inch to height during leveling or to match adjacent cabinets (see **Figure 50** on **Page 21**).

Door Swing/Clearances Information CLRCO2175

Black and White units have a zero clearance for the door to open 90° (see **Figure 6**). Stainless Steel models require a minimum of 2-1/8" door clearance to accommodate the handle if the unit is installed next to a wall or similar type of structure.



Reversing the Door

(Black and White Units Only)

All U-Line units (except Stainless Steel models) may be left- or right-hand opening. The door opening is easily reversed by moving the hinge hardware to the opposite side. The top hinge hardware will be used on the bottom of the other side and the bottom hinge hardware will be used on the top of the other side (see **Figure 7**).

To reverse the door:

1. Remove top hinge screw pin from door (Phillips screwdriver) (see **Figure 8**). Remove door by tilting forward and lifting off bottom hinge pin.
2. Remove plastic screw plugs (3 each, top and bottom) from new hinge location. Do not discard (see **Figure 9**).

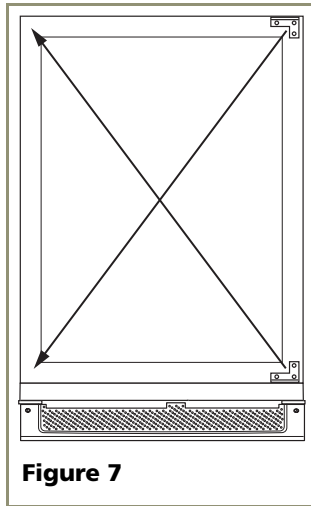


Figure 7

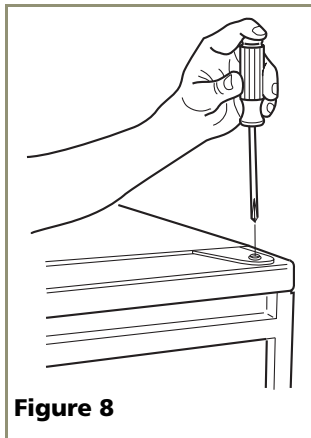


Figure 8

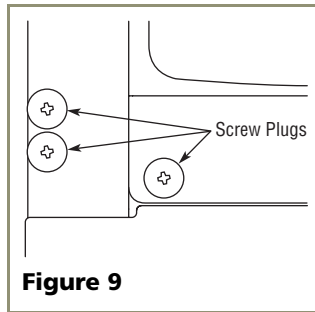


Figure 9

3. Remove top hinge (3 screws), reinstall hinge screw pin, and remount on opposite side **BOTTOM** (see **Figure 10**).

4. Remove the two door closer inserts from the existing bottom hinge and install as shown on the new bottom hinge (see **Figure 11**).

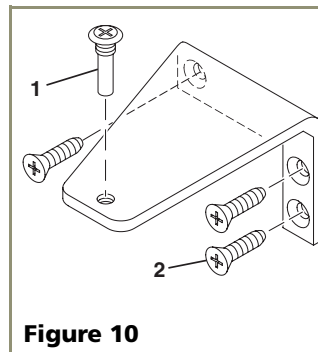


Figure 10

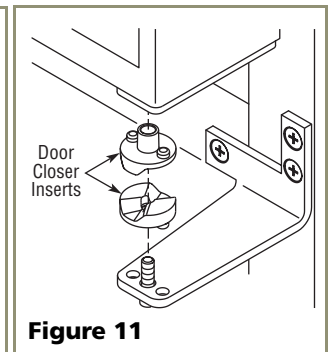


Figure 11

5. Remove existing bottom hinge (3 screws) and remount on opposite side **TOP**. Remove hinge screw pin.
6. Remove the plastic hole plug from the top of the door to allow the pivot pin to be inserted in the new location. Install the plug into the vacated hole on the opposite side.
7. With bottom of door facing up, remove pivot plate (2 screws), flip over, and remount on opposite side of door (see **Figure 12**). Be sure notch in plate faces center.

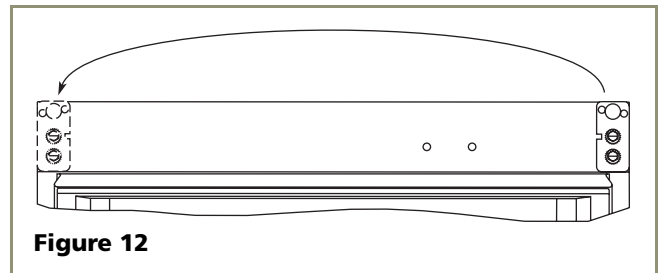


Figure 12

8. Holding door upright with top of door tilted forward, place hole of door pivot plate on bottom hinge screw pin (see **Figure 13**).
9. Tilt top of door into position in top hinge and install top hinge screw pin.
10. Install plastic screw plugs removed in Step 2 in old hinge holes (3 each, top and bottom).

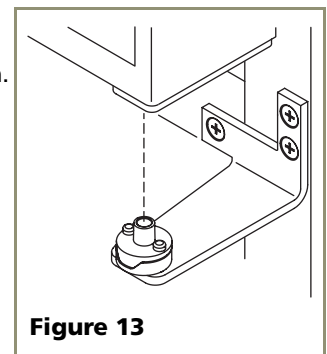


Figure 13

Other Site Requirements

Power Supply

The unit requires a grounded and polarized 115 VAC, 60 Hz, 15A circuit (normal household current). See *Electrical Specifications* on **Page 20**.

Water Supply

The unit requires a 1/4" O.D. soft copper supply line, or flexible water supply kit from U-Line, Part No. WATERHOOKUP. For more information, see **Page 15**.

Drain

The unit's generous 7-inch drain connection height extends the distance the unit can be located from a gravity drain. For more information see **Page 15**.

IMPORTANT

Drain can NOT be located directly below unit. Unit has a solid base that will not allow unit to drain below itself.

Environmental Requirements

Many U-Line models are designed to operate in harsh outdoor environments. Special considerations include the following:

- The units are designed to operate between 50°F (10°C) and 110°F (40°C). High ambient temperatures (110°F [40°C] or higher) may reduce the unit's ability to reach low temperatures and may also reduce the ice production rate for those models with ice makers.
- If the ambient temperature is expected to drop below 45°F (7°C), drain all water from the unit to prevent freezing damage not covered by the warranty.
- For best performance, keep the unit out of direct sunlight and away from heat generating equipment.
- For best performance and life outdoors, place under a counter or provide shelter of some kind.
- In climates where high humidity and dew points are present, condensation may appear on outside surfaces. This is considered normal. The condensation will disappear when the humidity drops.

Side-By-Side Installation Instructions CLR2160

For a complete refreshment center, install your CLR2160 Clear Ice Maker beside a U-Line Refrigerator, Combo, or Wine Captain Model (see **Figure 14** for typical cut-out). Note that each Side-By-Side Installation will be different.

- Cut-out width for a side-by-side installation is the total of the widths listed under *Cut-Out Dimensions* in each unit's Installation Guide.

For example:

Placing a CLR2160 Clear Ice Maker next to a 2115 series unit would require a cut-out width of:
 $15\text{-}3/16" + 15\text{-}3/16" = 30\text{-}3/8"$.

Placing a CLR2160 Clear Ice Maker next to a 2175 series unit would require a cut-out width of:
 $15\text{-}3/16" + 24\text{-}3/16" = 39\text{-}3/8"$.

- No trim kit is required. However, 1/4-inch space needs to be maintained between the units to ensure unobstructed door swing.
- Units must operate from separate, properly grounded electrical receptacles placed according to each unit's *Electrical Specifications*.

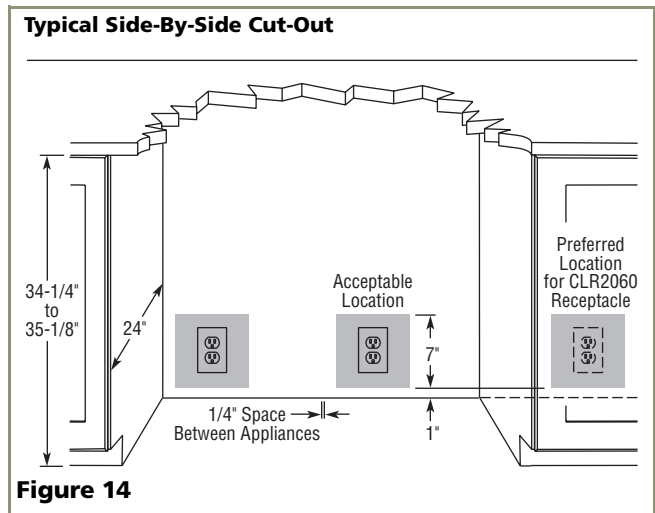


Figure 14

Side-By-Side Installation Instructions CLR2175

For a complete refreshment center, install your CLR2175 Clear Ice Maker/Refrigerator beside a U-Line Drawer or Wine Captain Model (see **Figure 15** for typical cut-out). Note that each Side-By-Side Installation will be different.

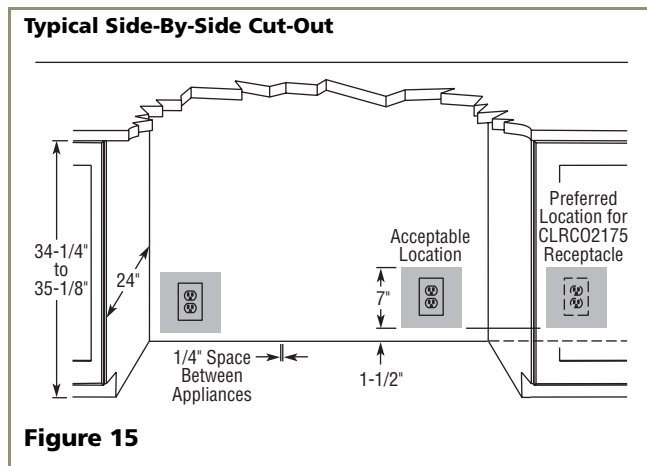
- Cut-out width for a side-by-side installation is the total of the widths listed under *Cut-Out Dimensions* in each unit's Installation Guide.

For example:

Placing a CLR2175 Clear Ice Maker/Refrigerator next to a 2115 series unit would require a cut-out width of: $24\text{-}3/16" + 15\text{-}3/16" = 39\text{-}3/8"$.

Placing a CLR2175 Clear Ice Maker/Refrigerator next to a 2175 series unit would require a cut-out width of: $24\text{-}3/16" + 24\text{-}3/16" = 48\text{-}3/8"$.

- No trim kit is required. However, 1/4-inch space needs to be maintained between the units to ensure unobstructed door swing.
- Units must operate from separate, properly grounded electrical receptacles placed according to each unit's *Electrical Specifications*.



4 Prepare and Install Door Panel

(Black and White Units Only)

Two types of custom door panels can be installed on your Black or White unit to harmonize with or accent the surrounding décor: a Custom 1/4" Insert or a Full Overlay. If no custom door panel is used, go on to **5 Adjust Door**.

Custom 1/4" Door Panel Insert

Door Panel Preparation

A custom door panel can be inserted into the doorframe. Custom door panels can be flat or raised, as long as the maximum panel thickness where inserted into the door reveal (channel) is 1/4"-thick. For raised panels, the depth of the reveal is 1/4" on all four sides.

IMPORTANT

Raised panels will reduce the door's 90° swing/zero clearance if the unit is installed next to a wall or similar type of structure.

For **2175 models** cut the panel insert to the following dimensions.

Custom 1/4" Dimensions:

- Width: 23-1/32"
- Height: 27-11/16"

For **2115 & CLR2160 models** cut the panel insert to the following dimensions.

Custom 1/4" Dimensions:

- Width: 14-1/32"
- Height: 27-11/16"

The door panel must not weigh more than 20 lbs.

Door Panel Installation

Install the insert as follows:

⚠ CAUTION

Use care when handling the insert. Insert edges may be sharp.

1. Remove top hinge screw pin (using a Phillips screwdriver, see **Figure 16**). Remove door by tilting forward and lifting off bottom hinge pin.

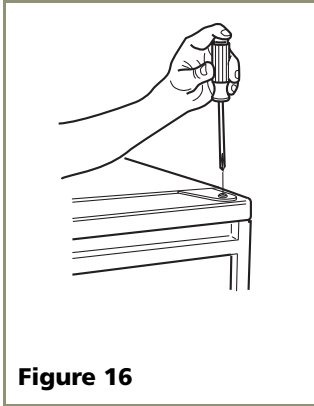


Figure 16

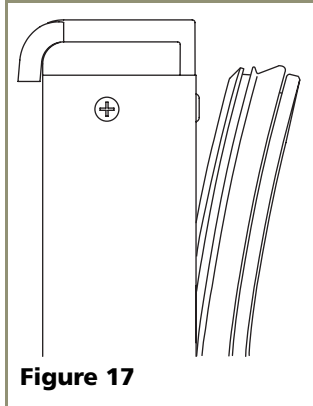


Figure 17

2. Pull door gasket out of groove (top edge of door only). Start in the middle and pull outward, moving toward the edge (see **Figure 17**). This may take some force.
3. Remove two outside screws holding door handle. Slightly separate door handle from door (see **Figure 18**).
4. Pull handle up and off.
5. Remove and discard existing panel and cardboard spacer.
6. Slide custom door panel insert into 1/4-inch channel in door front.
7. Holding door gasket out of the way, replace handle on door, making sure it is seated properly on insert and that screw holes line up.
8. Install two small screws removed in Step 3.
9. Starting at the corners and working inward, push door gasket into place on door.
10. Place door on bottom hinge pin and install upper hinge screw.

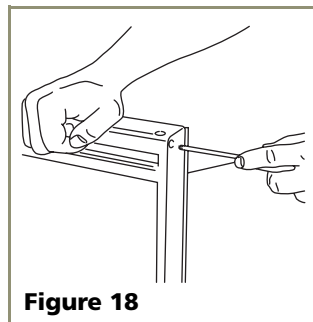


Figure 18

Full Overlay Door Panel

Door Panel Preparation

A full overlay door panel completely covers the doorframe and handle to give a built-in appearance. See your U-Line dealer for the optional Full Overlay Door Panel Kit.

2175 Models:

P/N U-OL2175B -- Black
P/N U-OL2175W -- White

2115 & CLR2160 Models:

P/N U-OL2115B -- Black
P/N U-OL2115W --White

Appropriate hardware, Modified Handle, Replacement Hinges and a copy of these instructions will be included in the kit.

1. Cut the overlay to the following dimensions (see **Figure 19**).

Full Overlay Dimensions:

2175 Models:

Width: 23-3/4"
Height: 29-3/4"

2115 & CLR2160 Models:

Width: 14-3/4"
Height: 29-3/4"

The door panel must not weigh more than 20 lbs.

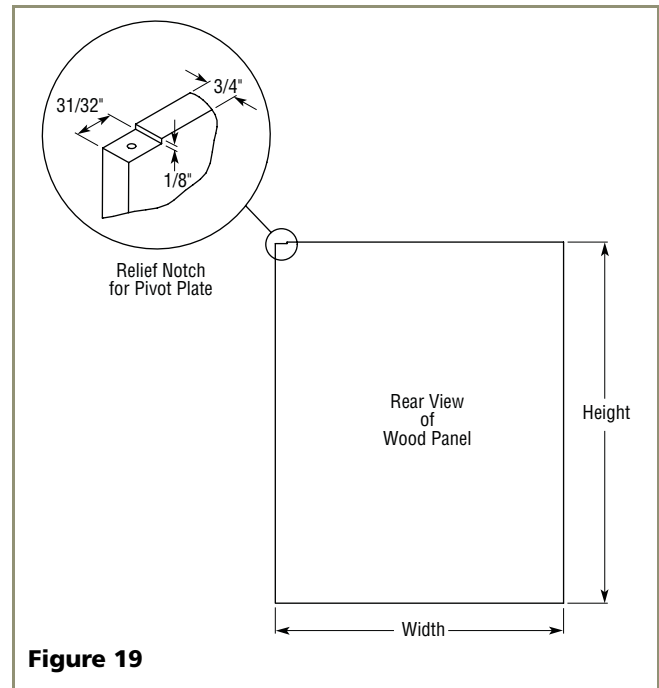


Figure 19

IMPORTANT

Rear View of wood panel for right-hand hinge shown. Use mirror image for left-hand hinges.

2. Create a relief (**Figure 19**) for pivot plate by cutting notch in top corner of overlay panel. Refer to **Figure 20** for exact specifications.

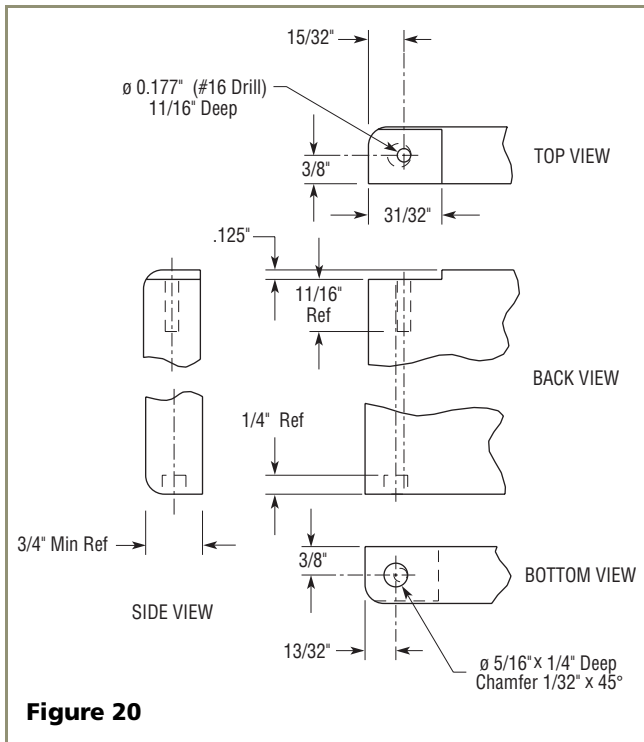


Figure 20

Route notch in top corner of overlay panel as shown (see Top and Side Views). Top of notch is entire depth of panel, front to back.

Width: $31/32$ "

Depth: $1/8$ "

CAUTION

Be careful not to drill too deep! Drilling holes too deep may destroy your door panel.

3. Drill hole for upper door hinge (top of panel) (see **Figure 20**, Top View).
0.177" diameter (#16 drill) x $11/16$ " deep
4. Drill hole for lower door hinge (see **Figure 20**, Bottom View).
 $5/16$ " diameter x $1/4$ " deep

CAUTION

It is important to ensure that all drilled holes are drilled to the correct depth in order to avoid splits in the wood when hardware is installed.

Installation Instructions

Removing Existing Door

1. Remove the door shelves by first pulling shelves up at a 45° angle, then straight out.
2. Remove top hinge screw pin (Phillips screwdriver). Remove the door by tilting forward and lifting off the bottom hinge pin.
3. Pull door gasket out of the groove (top edge of door only). Start in the middle and pull outward, moving toward the edge (see **Figure 21**). This may take some force.

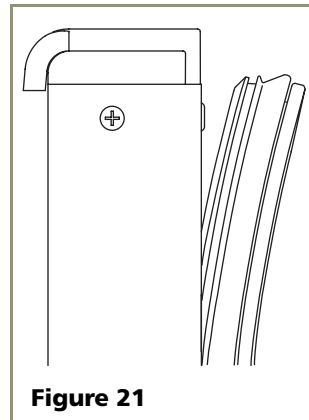


Figure 21

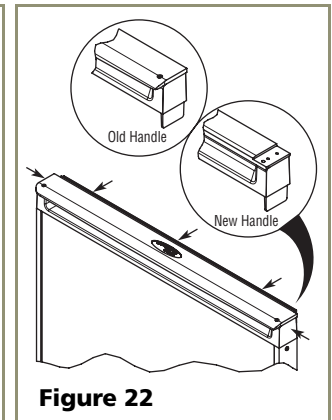


Figure 22

4. Remove the two screws located on both sides of the handle.
5. Remove the handle and discard. (This handle will be replaced with the Overlay Handle included in the Full Overlay Door Panel Kit. See **Figure 22**.)
6. Slide the existing door panel out of the doorframe.

Attaching the Full Overlay Panel

1. Place and tape the existing door panel on the back of the overlay panel (see **Figure 23**) and drill holes through both panels according to **Figure 24**. Remove tape adjoining the panels and enlarge the six holes in the steel (black/white vinyl color) panel using a 0.201" (#7) drill.
2. If a user-supplied cabinet handle will be used, attach its hardware to the overlay panel at this time.

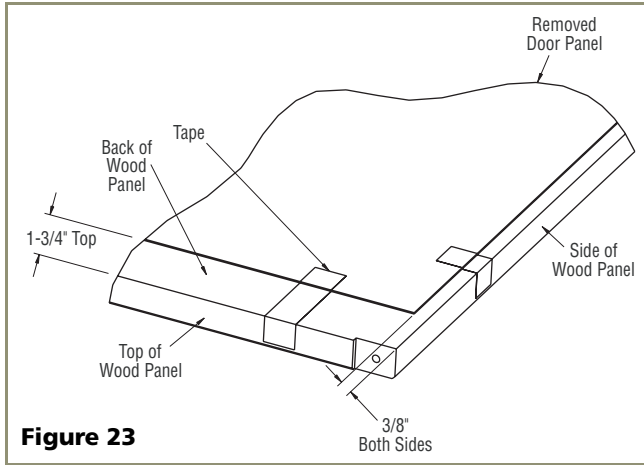


Figure 23

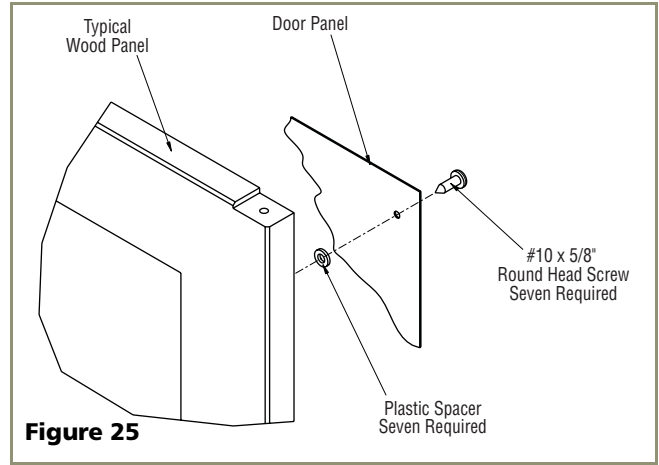


Figure 25

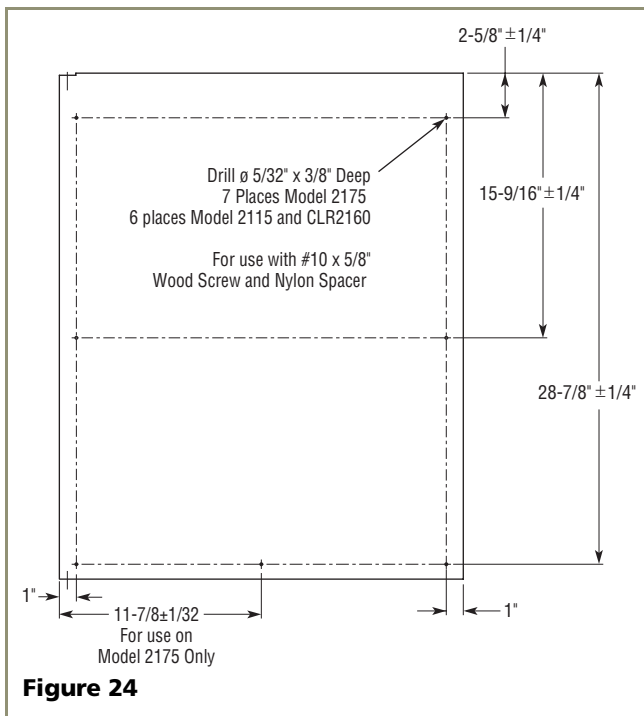


Figure 24

3. Attach the door panel to the overlay panel using #10 x 5/8" wood screws and nylon spacers. The nylon spacers fit between the overlay panel and the door panel as shown in **Figure 25**. The spacers allow the original door panel to slide back into the 1/4"-thick door reveal (channel).

4. Remove the existing bottom pivot plate and replace with the Full Overlay pivot plate (see **Figure 26**).

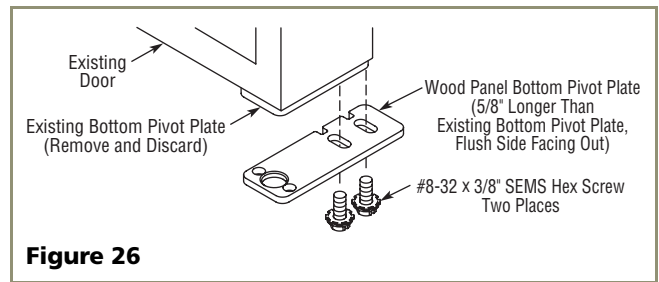


Figure 26

IMPORTANT

Door panel and overlay panel must be aligned properly or the door will not operate correctly.

Assembling the Door

1. Install the assembled panel by sliding the original door panel back into the doorframe.
2. Replace the Overlay Handle and secure with the two screws removed in Step 4 under *Removing Existing Door*.
3. Attach Overlay cap to door, opposite side of where hinges will be (see **Figure 27**).

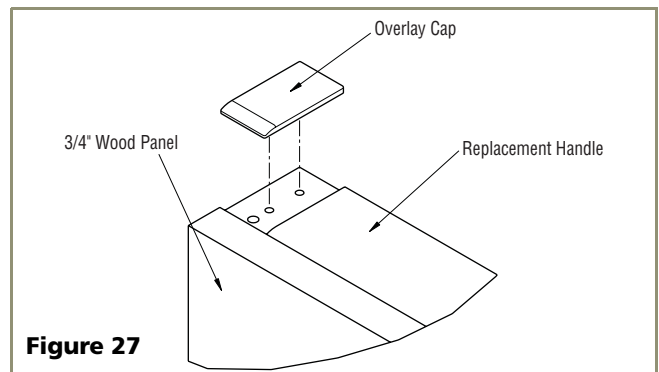
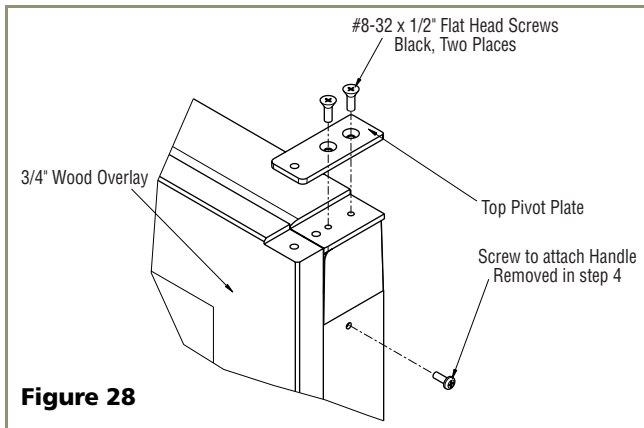


Figure 27

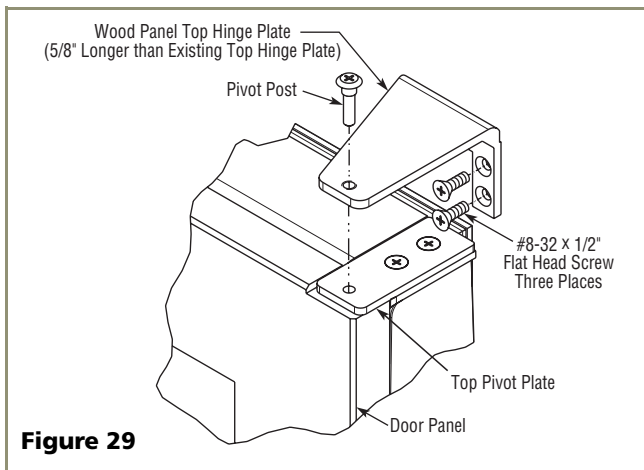
- Attach Top Pivot Plate to door handle, on side where hinges will be. Use the two #8-32 x 1/2" Flat Head Phillips screws (Black) supplied with kit (see **Figure 28**).



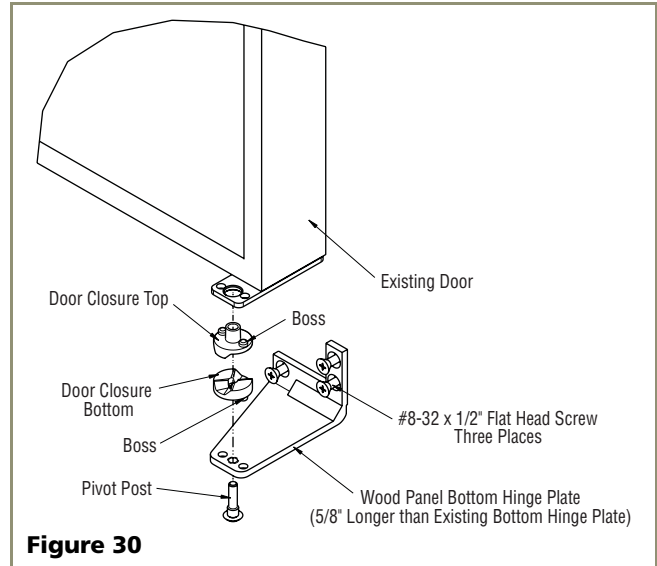
- Starting at the corners and working toward the center, push the door gasket back into place.

Installing the Door

- Remove the existing hinges from the unit, saving the door closure assembly.
- Install the new Replacement Top Hinge onto the unit (see **Figure 29**).



- Install the pivot post into the new Replacement Bottom Hinge (using the Phillips screwdriver) and install the hinge onto the unit.
- Replace the door closure assembly onto the bottom pivot post (see **Figure 30**). Be sure that bosses on closers align with holes in hinge and hinge plate.



IMPORTANT

Pivot posts must be cleaned. Closers must also be clean and greased to ensure proper operation.

- Place the modified door onto the pivot post.
- Position door and install the pivot post into the top hinge (using the Phillips screwdriver).
- Adjust door as needed for proper closure.
- Check to see that light goes off when the door closes.
- Reinstall the door shelves by lining up the bosses and first pushing straight in, then down at a 45° angle.

5 Adjust Door

Checking Door Alignment

The unit's door is aligned at the factory before shipment. However, its alignment could have been disturbed during shipment or during door panel installation.

IMPORTANT

Properly aligned, the door should be 1/8" below the top of the unit's cabinet, NOT flush with the top (see **Figure 31**).

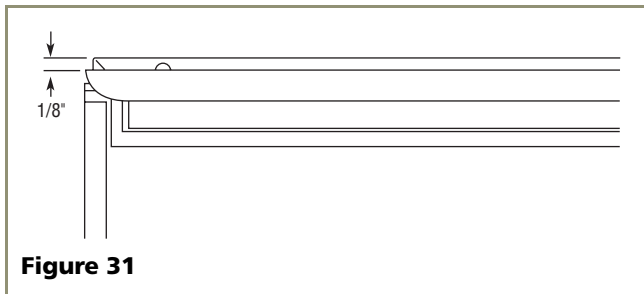


Figure 31

1. Compare the top edge of the door to the top edge of the cabinet.
2. If the door edge is 1/8" below and parallel to the top of the cabinet, go on to **6 Prepare Plumbing**. If it is not, note whether the side opposite the hinge needs to be moved UP or DOWN, and use the following procedure.

Note: If door is adjusted correctly, but panel is not square with the adjacent cabinets, slight adjustments can be made by drilling the holes in the vinyl coated steel panel slightly oversized. See **Figure 25** on **Page 12**.

Adjusting Door Alignment

1. Remove top hinge screw pin (Phillips screwdriver, see **Figure 32**). Remove door by tilting forward and lifting off bottom hinge pin.
2. With door upside-down, loosen but do not remove the two screws on the door's bottom hinge plate.

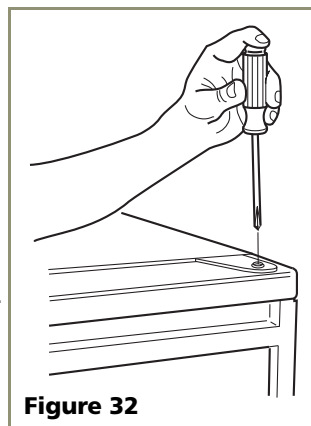


Figure 32

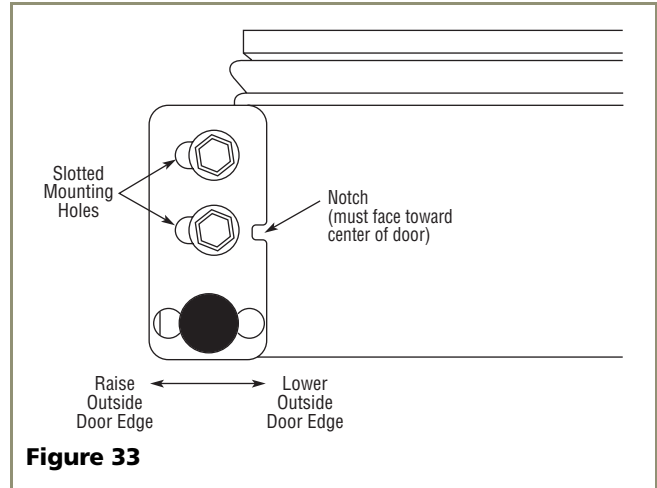


Figure 33

3. See **Figure 33**. If the top far edge of the door needs to move UP, move the hinge plate toward the outside of the door and retighten screws. If the top far edge of the door needs to move DOWN, move the hinge plate toward the inside of the door and retighten screws.
4. Mount the door to recheck alignment and repeat Steps 2 and 3 if further adjustment is necessary.
5. When top edge of door is parallel to top edge of cabinet, remove the door and ensure the two screws are secure.
6. Remove the door closers from the bottom hinge, clean thoroughly and lubricate the mating surfaces with petroleum jelly.
7. Reinstall the closers, lining up the bosses with holes in hinge and hinge plate (see **Figure 34**).
8. Mount the door, install top hinge pivot pin and go on to **6 Prepare Plumbing**.

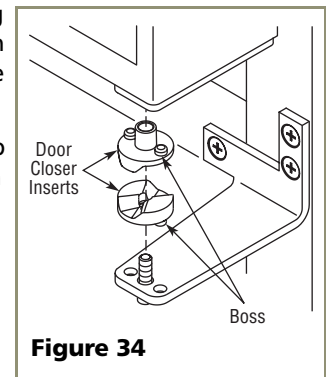


Figure 34

6 Prepare Plumbing

⚠ CAUTION

Plumbing installation must observe all state and local codes. All water and drain connections **MUST BE** made by a licensed/qualified plumbing contractor. Failure to follow recommendations and instructions may result in damage and/or harm.

Water Supply Connection

When connecting the water supply, follow these guidelines:

- Review the local plumbing codes before you install the unit.
- Connect to the cold water supply.
- The water pressure should be between 20 and 120 psi.
- The water line **MUST** have a shut-off valve in the 1/4" O.D. supply line.
- Leave approximately 8' of water line to be coiled behind the appliance (see **Figure 35**). The water line should be looped into 2 coils. This will allow the unit to be removed for cleaning and servicing. However, make certain that the tubing is not pinched or damaged during installation.

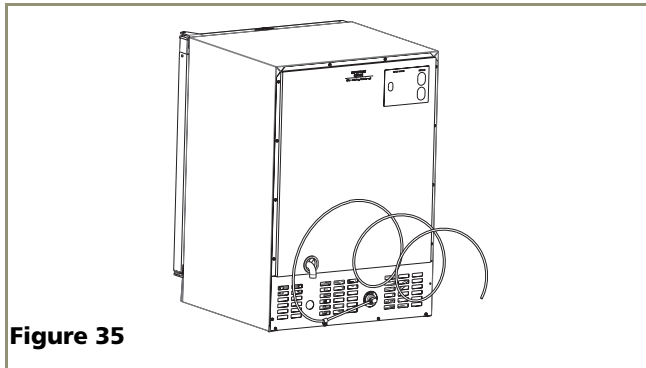
IMPORTANT

U-Line recommends the use of copper tubing for installation, or use flexible water supply kit from U-Line, Part No. WATERHOOKUP.

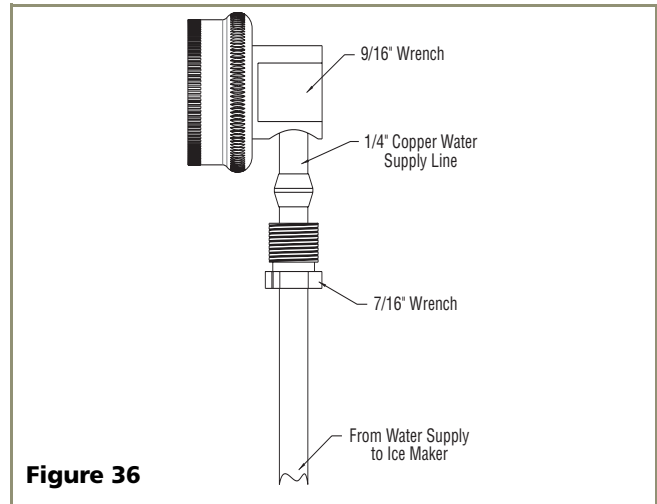
If using the flexible water supply kit, follow the instructions included with the kit.

To connect to 1/4" copper line water supply:

1. Locate the desired cold water supply location. Attach a 1/4" copper line to this location and route the tubing to the appliance. Leave approximately 8' of water line to be coiled behind the appliance. The water line should be looped into 2 coils. This will allow the line to flex when removing the unit for cleaning and servicing (see **Figure 35**).



2. Locate the U-Line supplied garden hose fitting. Ensure the end of the copper tubing has been cut straight and free of burrs. Slide the compression nut and ferrule onto the copper tubing as shown (see **Figure 36**). Push the assembly completely into the the garden hose fitting and tighten using the two wrenches. Wait to connect this assembly to the appliance until the drain connection is ready.



Drain Connection

IMPORTANT

Drain can NOT be located directly below unit. Unit has a solid base that will not allow unit to drain below itself.

The CLR2160 or CLRCO2175 can be installed using a Gravity Drain, a Factory-Installed Drain Pump (U-Line P60) or a Locally-Installed (U-Line P60) Drain Pump. Drain lines must have a 5/8" inside diameter. The floor drain must be large enough to accommodate drainage from all attached drains.

Note: We strongly recommend the use of the U-Line CLRDRAIN KIT for both gravity & pump installations. A complete drain kit containing all the items needed to connect your unit are available from your dealer. Order Part No. U-CLRDRAIN KIT.

Note: Longer drain connections may require additional drain hose lengths. Additional drain line can be purchased from your dealer or directly from McMaster-Carr. (McMaster-Carr # 52375K35)

Follow these guidelines when installing drain lines to prevent water from flowing back into the ice maker storage bin and/or potentially flowing onto the floor, causing water damage:

Gravity Drain

A Gravity Drain may be used if:

- Drain line has at least a 1-inch drop per 48 inches of run (1/4 inch per foot).

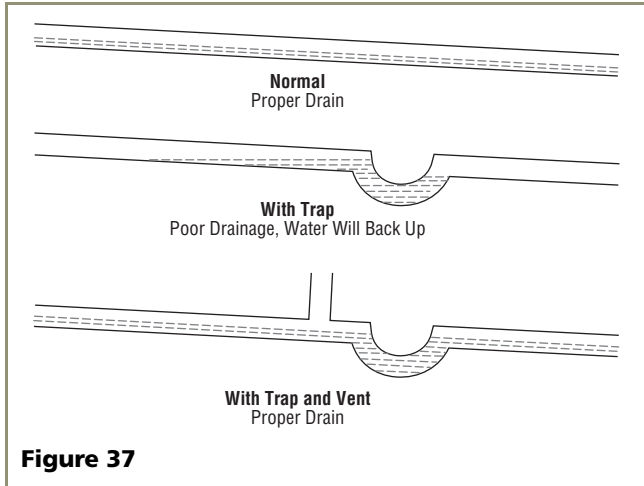


Figure 37

- Drain line does not create traps or created traps are vented (see **Figure 37**).

See **Figure 38** for a typical Gravity Drain installation.

If using a Gravity Drain:

1. Slide 2 hose clamps onto the drain connection on the rear of the appliance.
2. Insert the barbed fitting halfway into this connection.
3. On the other end of this barbed fitting attach the 5/8" braided tubing.
4. Slide a clamp on each side of the barbed fitting as shown (see **Figure 39**).
5. Insulate the drain line, if necessary to prevent condensation. Go on to *Final Water/Drain Connection* **Page 18**.

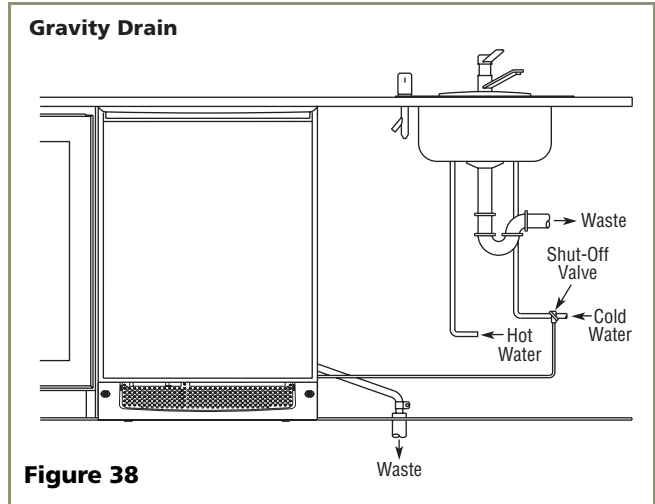


Figure 38

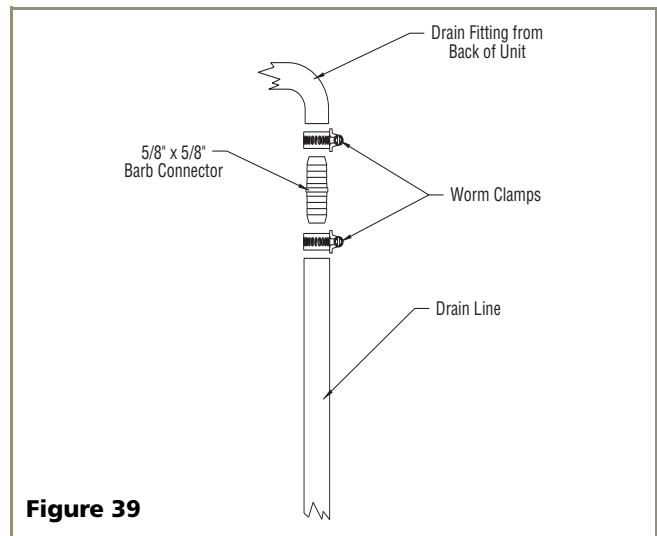


Figure 39

Factory-Installed Drain Pump

If your drain line will run up to a stand pipe, disposal assembly or spigot assembly or does not otherwise meet the requirements for a Gravity Drain, you may have ordered the CLR2160 or CLRCO2175 with a U-Line P60 Drain Pump. See **Figures 42, 43 and 44** for typical installations requiring a Drain Pump. If you need to install a P60 Drain Pump into your unit, see *Locally-Installed Drain Pump* on **Page 17**.

IMPORTANT

Before installing your U-Line CLR2160 or CLRCO2175 with Factory-Installed U-Line P60 Pump, it is extremely important to check and test all hose connections at the drain pump. There is a possibility that hose connections may have loosened during shipment.

To check and test hose connections:

1. Make certain the unit is not plugged into an electrical outlet.

- Carefully push the power cord grommet through the hole in the back panel (see **Figure 40**, CLRCO2175 shown).

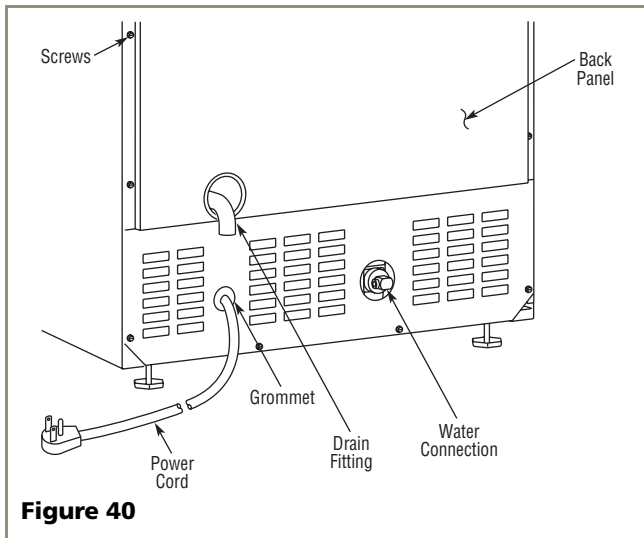


Figure 40

- Remove 12 screws and back panel.

⚠ WARNING

Back panel serves as a guard. DO NOT put your hands inside the ice maker cabinet or attempt to touch any components except the discharge tube during testing. Failure to follow this warning could result in serious personal injury or death.

- Check that the clamps and hose connections are tight at the following areas (see **Figure 41**):
 - Discharge tube (A)
 - Drain tube (B)
 - Vent tube (C)

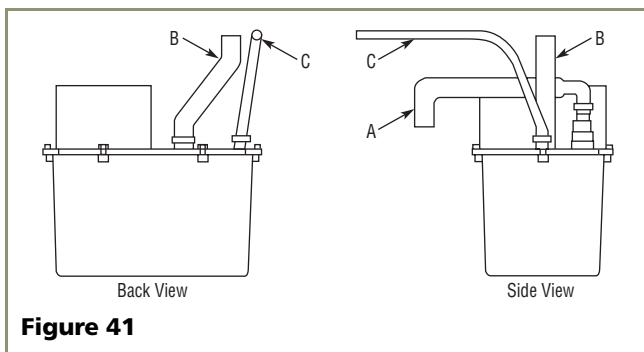


Figure 41

- Place a suitable container beneath the pump's discharge tube. (The bucket must be able to hold a minimum of one gallon.)
- Plug the ice maker power cord into a properly grounded, polarized electrical outlet.
- Place the unit into OFF mode by holding power key for 10 seconds. Not doing this will cause the unit to start the fill cycle which will run for 3 minutes.
- Verify pump operation by pouring one gallon of water into the ice storage bin of the ice maker. The pump should energize and pump the water into the container.
- At this time, verify that all tube and clamp connections are tight and leak-free.
- Unplug unit power cord from electrical outlet.
- Reinstall back panel.

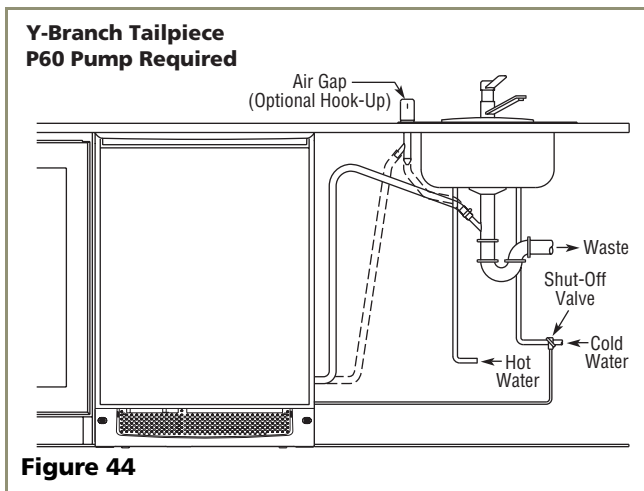
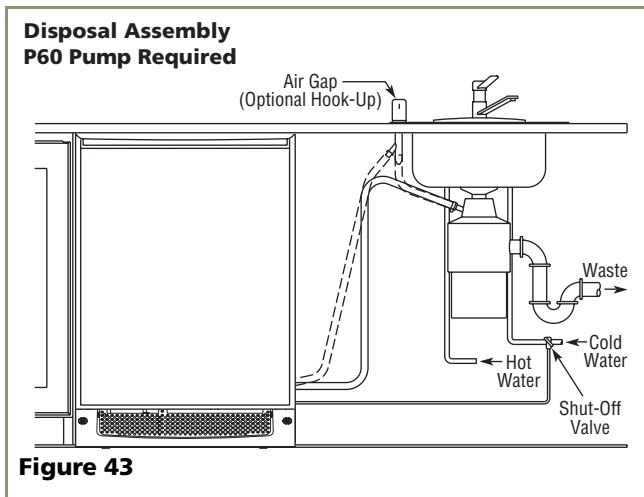
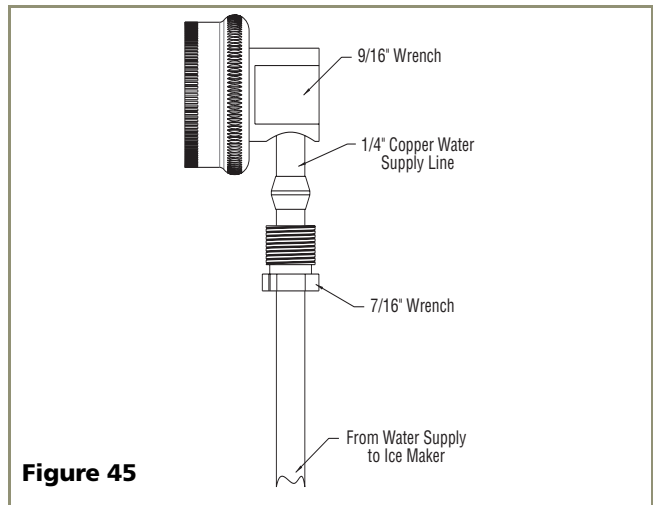
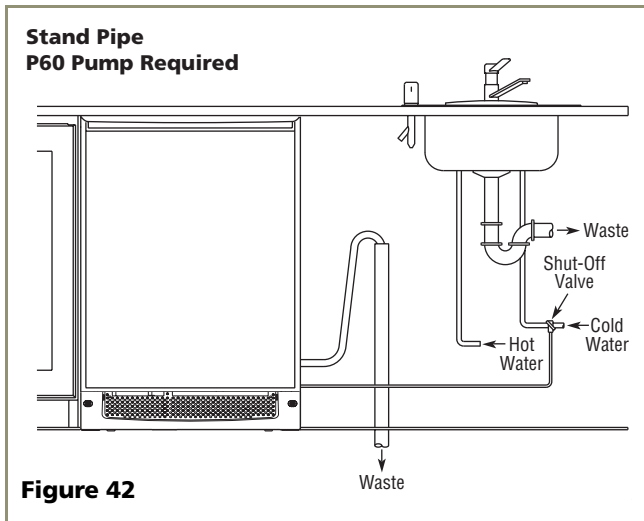
Locally-Installed Drain Pump

If a gravity drain connection is not possible, and you have not purchased a CLR2160 or CLRCO2175 with factory-installed pump, we strongly recommend the use of the U-Line P60 drain pump. The U-Line P60 drain pump is available through your Dealer, with complete installation instructions. If a pump other than the U-Line P60 drain pump is to be used, it must meet the following specifications:

- It must be UL listed and have a UL listed, 120 VAC, 3-wire grounded power cord.
- It must have overall maximum outside dimensions of 8-3/4" wide x 5-3/4" deep x 7-3/4" high.
- It must have a minimum flow rate of 1.5 gallons per minute at 10 feet of lift.
- It must have a sealed sump which does not allow water leakage in the case of a power outage, restricted drain or pump failure.
- It must have a check valve in the discharge line to prevent waste water return to the pump.
- It must have an overflow protection control which will shut off power to the ice maker in the event of a pump failure.
- It must have an operating temperature range of 50°F to 110°F (10°C to 40°C).

IMPORTANT

In the event of a power outage, restricted drain or pump failure, the failure to use the U-Line P60 drain pump or a pump with the above listed specifications, could result in substantial water leakage and pooling with severe and costly water damage and related consequential damages and harm.



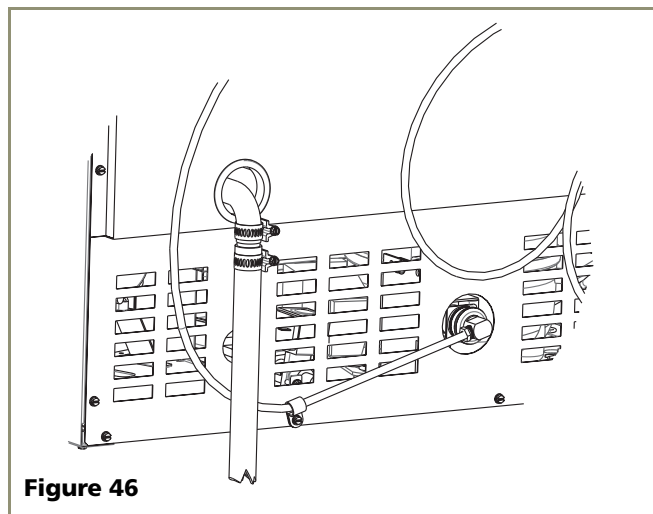
To connect to drain:

1. Slide 2 hose clamps onto the drain connection on the rear of the appliance.
2. Insert the barbed fitting halfway into this connection.
3. On the other end of this barbed fitting attach the 5/8" braided tubing.
4. Slide a clamp on each side of the barbed fitting as shown (see **Figure 45**).
5. Insulate the drain line, if necessary to prevent condensation. Go on to *Final Water/Drain Connection*. **Page 18**.

Final Water/Drain Connection:

1. Connect the water supply fitting by screwing the brass garden hose fitting to the water valve in the rear of the unit.
2. Tighten this fitting with pliers.

Note: Do not use Teflon tape or joint compound on this fitting. The rubber washer provides an adequate seal. Other materials could cause blockage of the valve.



⚠ WARNING

To prevent accidental electrocution, make certain that the floor surfaces surrounding the unit are dry whenever power is removed from, or applied to, the unit.

3. Attach the copper water line to the back of the unit using the supplied clamp and the back panel screw (see **Figure 46**, CLR2175 model shown). This will prevent rotation of the line when moving the unit.
4. Plug in the unit and put unit into OFF mode by holding the power key for 10 seconds. Not doing this will cause the unit to fill with water for 3 minutes.
5. Turn on the water supply and ensure the connections are free of leaks.
6. Begin to push the appliance into the desired cabinet opening. The copper tubing should remain in 2 coils behind the unit.

IMPORTANT

Normal operation creates some vibration. A water supply line contacting cabinet wall may cause excessive noise during operation or damage to the line.

7. While pushing the unit into the opening, continuously reroute the drain tube to avoid kinks. The most common installation pulls the slack into an adjacent cabinet or basement area.
8. If installing a gravity drain, ensure you provide proper slope.
9. After unit is in its final position, finish routing drain tube to the desired location. Common installations use a floor drain, standpipe, garbage disposal, or Y-branch tailpiece type drain connection (see **Figures 42, 43 and 44**).
10. Check to ensure unit is level both side to side and front to back. See *Leveling Information* on **Page 20**.

IMPORTANT

For the gravity/floor drain or the standpipe be sure to secure the drain line to these items to prevent it from coming loose and causing water damage.

IMPORTANT

For disposer or Y-branch tailpiece connections press the drain tube over the barbed end of the connector and secure with a worm clamp. Make sure the knockout inside the tailpiece has been removed for both types of connections. Depending on the size of the Y-branch or disposer fitting, an adapter may be necessary to interface between the 5/8" hose and connection.

11. Turn the unit to the on position by holding the power key for 10 seconds.
12. Pour 1 gallon of water into the ice bin and check all connections for leaks. Ensure the water is flowing from the bin. If the water does not flow from the bin there may be an issue with the drain connection, such as kinks or improper slope. If your unit has a drain pump, an indicator of P1 on the display will alert you of a slow or clogged drain.
13. If any issues are found, retrace the drain connection, correct the issue and retest with water.
14. Go on to **7 Prepare Power Supply**.

7 Prepare Power Supply

Electrical Specifications

CAUTION

Electrical installation must observe all state and local codes. This unit requires connection to a grounded (three-prong), polarized receptacle that has been placed by a qualified electrician.

The unit requires a grounded and polarized 115 VAC, 60 Hz, 15A power supply (normal household current). An individual, properly grounded branch circuit or circuit breaker is recommended. A GFCI (ground fault circuit interrupter) is usually not required for fixed location appliances and is not recommended for your unit because a GFCI could be prone to nuisance tripping. However, be sure to consult your local codes.

See **Figure 47** for recommended receptacle location. Plugging the unit into a receptacle located behind an adjacent cabinet will allow the CLR2160 or CLRCO2175 to be more easily serviced with self-diagnostics without disturbing your installation.

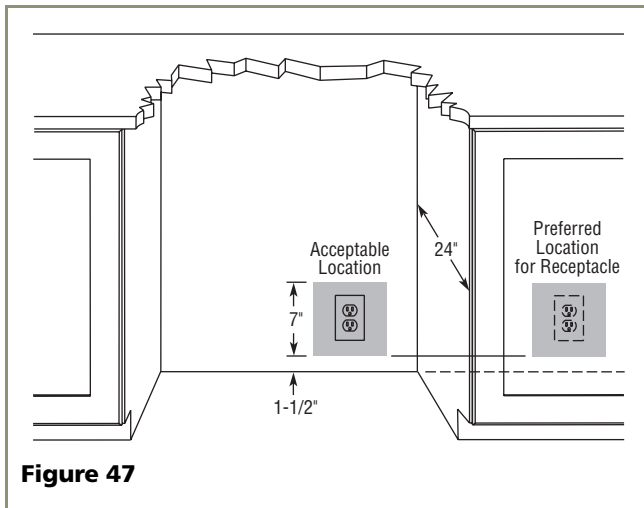


Figure 47

WARNING

SHOCK HAZARD — Electrical Grounding Required.

- Never remove the round grounding prong from the plug and never use a two-prong grounding adapter.
- Never use an extension cord to connect power to the unit.

Go on to **8 Level the Unit**.

8 Level the Unit

Leveling Information

IMPORTANT

It is extremely important that the unit is level. If it is not level, the ice mold will not fill evenly.

A unit that is not level can cause a reduction in ice rate, uneven sized cubes or water spilling into the storage area, which will cause the ice in the bin to melt prematurely (see **Figure 48**).

Remember that floors near drains have a tendency to slope toward the drain.

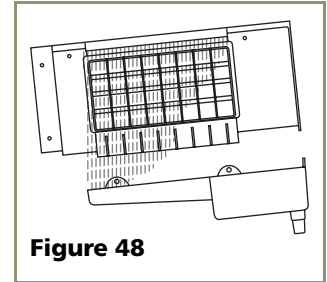


Figure 48

1. Use a level to check the levelness of the ice maker from front to back and from side to side. Level should be placed along top edge and side edge as shown (see **Figure 49**).

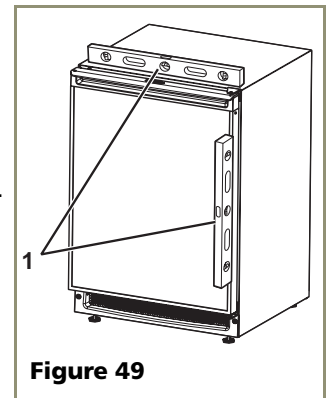


Figure 49

- If the ice maker is not level, adjust the feet on the corners of the unit as necessary (see **Figure 50**).

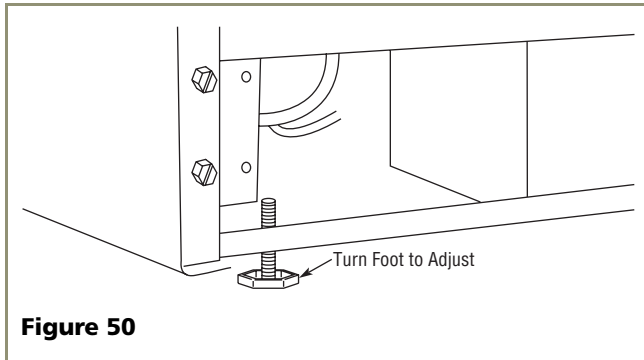


Figure 50

- Check the levelness after each adjustment and repeat the previous steps until the unit is level. Go on to **9 Install the Unit**.

Installation Tip

If the room floor is higher than the floor in the cut-out opening, adjust the rear feet to achieve a total unit rear height of 1/8" less than the opening's rear height. Shorten the unit height in the front by adjusting the front feet. This allows the unit to be gently tipped into the opening. Readjust the front feet to level the unit after it is correctly positioned in the opening.

9 Install the Unit

Installation of the CLR2160

- Open the water supply valve in the main water source.
- Plug in the power cord.
- Open the door and press the POWER icon (see **Figure 53, 1 (Page 23)**) on the display panel until OFF is displayed.

Note: If the unit is NOT turned **OFF**, water will immediately start flowing into the unit when it is first plugged into the electrical outlet.

- Gently push the unit into position. Be careful not to kink the drain or water supply line or entangle the electrical cord.
- Re-check the leveling, from front to back and side to side. Make any necessary adjustments. The unit's top surface should be approximately 1/8" below the countertop.

Test the drain system by pouring one gallon of water into the ice bin. The water should drain freely and there should be no leakage.

Installation of the CLRCO2175

- Open the water supply valve in the main water source.
- Plug in the power cord.
- Open the door and press the POWER icon (see **Figure 53, 1 (Page 23)**) on the display until OFF is displayed.

Note: If the unit is NOT turned **OFF**, water will immediately start flowing into the unit when it is first plugged into the electrical outlet.

- Gently push the unit into position. Be careful not to kink the drain or water supply line or entangle the electrical cord.
- Re-check the leveling, from front to back and side to side. Make any necessary adjustments. The unit's top surface should be approximately 1/8" below the countertop.
- Test the drain system by pouring one gallon of water into the ice bin. The water should drain freely and there should be no leakage.
- Remove the tape from the glass shelves and wipe out the inside of the unit with a clean, water-dampened cloth.

Relocating the Shelves (CLRC02175)

Both the glass shelves in the refrigerator and the inner door shelves can be moved to accommodate your bottles, cans and containers.

Glass Shelves on Right-Hand Hinge Units

1. Open door fully, grasp shelf firmly, lift front edge slightly and pull straight out.
2. Choose new location and slide shelf onto the appropriate rib.

Glass Shelves on Left-Hand Hinge Units

1. See **Figure 51**. Pull shelf out about 6" to clear the wall's molded protrusion.
2. Tilt right-hand edge of shelf up.
3. Keeping at this angle and hugging the right wall, pull the shelf out.
4. Choose new location and insert over ribs, tilting right-hand edge up. Push in, then lower shelf onto ribs.

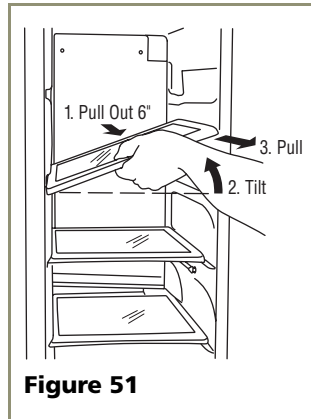


Figure 51

Door Shelves

1. First pull shelf up at a 45° angle, then straight out (see **Figure 52**).
2. Choose new location and line up on bosses. First push straight in, then down at a 45° angle.

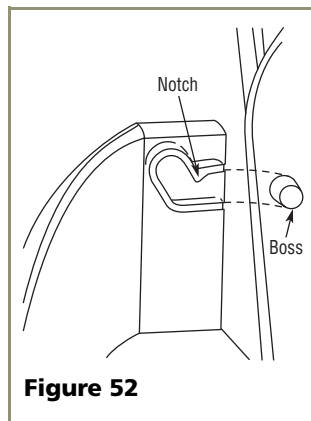


Figure 52

Installation Troubleshooting

Q: Problem

Water is leaking under the unit.

A: Solution

A water leak under the unit is most likely caused by a bad connection in the water supply line. Make sure the water line's brass fitting is screwed tight to its valve and threaded correctly. Make sure the fill tube's connection to the water line is also tight. Check drain line to make sure it has not been disconnected from drain connection on back of the unit or disconnected from the drain.

Q: Problem

The door remains open unless it is pushed closed.

A: Solution

The hinges should be self-closing when the door is open approximately 8". If this is not the case, make sure the closers (at the bottom of the hinge pin) are clean, greased and installed correctly. Also, re-check leveling from front to back of the unit and readjust if necessary. Make sure that pivot plate is installed correctly.

Q: Problem

The custom overlay door was designed to align with the rest of the cabinet doors, but the unit has crept forward.

A: Solution

First, make sure that the electrical cord and water supply line are not obstructing the installation. If they are not, there is mostly likely not enough room allowed for the drain connection on the rear of the unit. You may need to alter the wall behind the unit to accommodate the drain connection.

10 Start-Up for the First Time

Initial Start-Up

Once installation and leveling is complete, the unit is ready for initial start-up and operation. The display panel is located inside the unit, on the top of the refrigerator side (see **Figure 53, 1**).

The LED display shows the temperature set point and is calibrated in degrees Fahrenheit. The controller is factory programmed for a set point of 38°F which will show when the unit is first powered up.

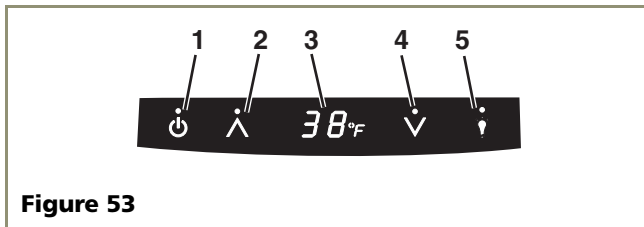


Figure 53

1. Open the door and remove the cover in front of the evaporator by gently compressing and pulling forward. This will enable you to observe the water flow over the evaporator.
2. Check that the overflow tube is inserted securely into the water trough.
3. Press the POWER icon (see **Figure 53, 1**) and hold for approximately five seconds until the °F symbol flashes and release. The water fill valve will energize and fill the water reservoir. The water fill valve shuts off after approximately 180 seconds (3 minutes). The compressor begins to operate.

The CLRCO2175 display (see **Figure 53, 3**) will show the set-point temperature (38°F) when the unit is on and will show OFF when the unit is off. The CLR2160 display (see **Figure 53, 3**) will show ICE when the unit is on and will show OFF when the unit is off.

4. Watch the water flow over the evaporator assembly (ice cube tray) to familiarize yourself with the operation. Upon initial start-up, water flow over the evaporator may be uneven. This may cause uneven sized cubes or water spilling into the ice storage bin. This is a normal situation and will correct itself within the first 24 hours of operation.
5. Replace the evaporator cover. Note that after the first slab of ice is produced, ice production will stop until the refrigerator side of the CLRCO2175 reaches the set point temperature. Then, ice production will begin again.
6. Allow unit to run for at least 24 hours to stabilize before making any temperature or ice adjustments.

IMPORTANT

It is possible that dirt or scale will dislodge in the water line. Always throw away all ice cubes made during the first two to three hours of operation.

Other Settings

Other settings for the unit are factory preset. No adjustments should be necessary at this time. For information about Ice Cube Thickness, or additional settings, see the Use and Care Guide.

Start-Up Troubleshooting

Q: Problem

Unit does not appear to turn on when POWER icon is pressed.

A: Solution

Remember that the compressor will not operate until the water has been filling for about 3 minutes. Make sure unit is plugged in and outlet has power (circuit breaker has not tripped). If the unit is equipped with a drain pump, check that the drain line is not obstructed. Unit will shut down due to the safety design of the pump if water cannot drain.

Q: Problem

Water does not appear to be flowing into unit.

A: Solution

Check that the water is connected and turned on, the line is not obstructed and the overflow tube is inserted securely into water trough.

Q: Problem

The unit has been operating for 24 hours and water is still not flowing evenly over evaporator.

A: Solution

Level unit for even water flow. Uneven water flow will reduce ice rate and cause water to spill in ice bin.

IMPORTANT

See the Use and Care Guide's *Troubleshooting Guide* for more solutions.

Who to Call

Service Information

If the need for service arises, call the U-Line Customer Care Center directly @ **800-779-2547**. To ensure accurate assistance, please have your Model Number and Serial Number and an explanation of the problem. The Model and Serial Number plate is located inside unit at upper right hand corner.

If you need to locate a service company, you can go online at **www.U-LineService.com** and search for a service company by zip code.

For more than four decades, U-Line has distinguished itself as the leader in built-in undercounter ice making, refrigeration and wine storage appliances.

U-Line Corporation, located in Milwaukee, WI, is a family operated manufacturer of built-in undercounter icemakers, Combo® icemaker/refrigerators, Wine Captain® wine storage units, refrigerators, refrigerated drawers and refrigerator/freezers.