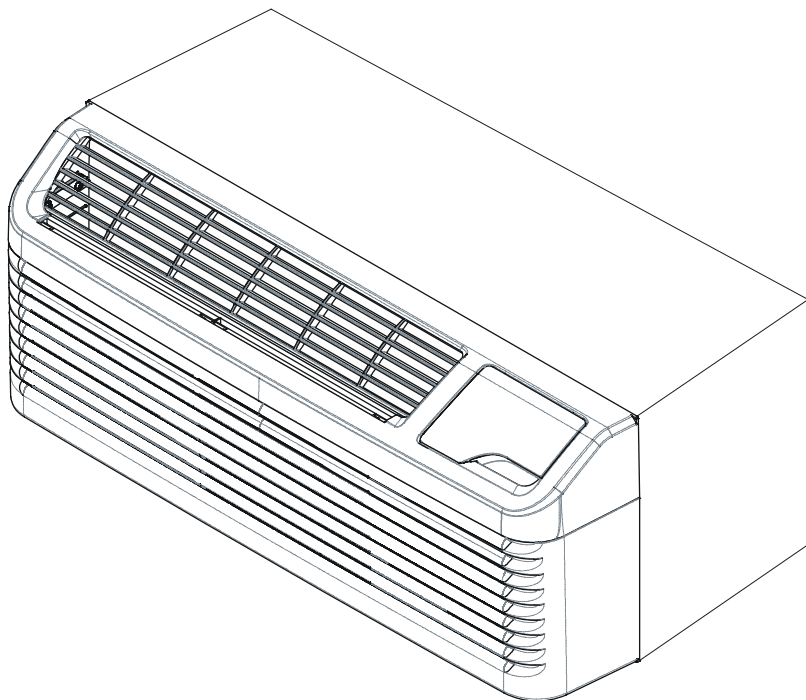


REPAIR PARTS

PTC Series R410A PTAC Coolers

PTC073E00AXXXAB
PTC073E25AXXXAB
PTC073E35AXXXAB
PTC093E25AXXXAB
PTC093E35AXXXAB
PTC093E35RXXXAB
PTC123E00AXXXAB
PTC123E25AXXXAB
PTC123E35AXXXAB
PTC123E35CXXXAB
PTC123E35RXXXAB
PTC153E00AXXXAA
PTC153E25AXXXAA
PTC153E35AXXXAA
PTC153E50AXXXAA



This manual is to be used by qualified technicians only.

© 2009 Goodman Manufacturing Company, L.P. ♦ 5151 San Felipe, Suite 500 ♦ Houston, TX 77056

Important Information

Index

Functional Parts List	3
Illustration and Parts	4 - 13

Views shown are for parts illustrations only, not servicing procedures.

This system uses R410A refrigerant. If sealed system work is required, use approved equipment and follow service procedures. Refer to Service Manual or Installation Instructions for service procedures.

Text Codes:

AR - As Required

NA - Not Available

NS - Not Shown

00000000 - See Note

QTY - Quantity Example (QTY 3) (If Quantity not shown, Quantity = 1)

M - Model Example (M1) (If M Code not shown, then part is used on all Models)

Expanded Model Nomenclature:

Example
M1 - Model#1
M2 - Model#2
M3 - Model#3

Goodman Manufacturing Company, L.P. is not responsible for personal injury or property damage resulting from improper service. Review all service information before beginning repairs.

Warranty service must be performed by an authorized technician, using authorized factory parts. If service is required after the warranty expires, Goodman Manufacturing Company, L.P. also recommends contacting an authorized technician and using authorized factory parts.

Goodman Manufacturing Company, L.P. reserves the right to discontinue, or change at any time, specifications or designs without notice or without incurring obligations.

For assistance within the U.S.A. contact:
Consumer Affairs Department
Goodman Manufacturing Company, L.P.
7401 Security Way
Houston, Texas 77040
877-254-4729-Telephone
713-863-2382-Facsimile

For assistance outside the U.S.A. contact:
International Division
Goodman Manufacturing Company, L.P.
7401 Security Way
Houston, Texas 77040
713-861-2500-Telephone
713-863-2382-Facsimile

Functional Parts

Part

No: Description:

CAP030300440RS	CAP, 3/30 MFD/440V/DUAL RD
CAP020000440P	CAPACITOR, 440V
44A282A	COMPRESSOR, RECHI (M1, M2, M3, M4, M5)
50A362Q	COMPRESSOR, RECHI (M6, M7, M8, M9)
PCBCP131	CONTROL BOARD M61
0131P00007	FAN MOTOR, INDOOR (M6, M7, M8, M9)
0131P00006	FAN MOTOR, INDOOR (M1, M2, M3, M4, M5)
0131P00008	FAN MOTOR, OUTDOOR (M6, M7, M8, M9)
0131P00014	FAN MOTOR, OUTDOOR (M1, M2, M3, M4, M5)
0275P00002	HEATER ASSY (M2, M7)
0275P00001	HEATER ASSY (M9)
0275P00000	HEATER ASSY (M3, M4, M5, M8)
0275P00007	HEATER MODULE 0.0KW 230/208V (M1, M6)
0275P00005	HEATER MODULE 2.5KW 230/208V (M2, M7)
0275P00003	HEATER MODULE 3.5 KW 230V (M3, M4, M5, M8)
0275P00004	HEATER MODULE 5.0KW 230/208V (M9)
60343503	OVERLOAD PROTECTOR (M1, M2, M3, M4, M5)
60343546	OVERLOAD PROTECTOR (M6, M7, M8, M9)
0130M00066	SWITCH, HIGH PRESS
20295711	THERMISTOR (M5)
0130P00038	THERMISTOR-DISCHARGE
0130P00047	THERMISTOR-INDOOR AMBIENT
0130P00033	THERMISTOR-INDOOR COIL
0130P00039	THERMISTOR-OUTDOOR AMBIENT (M5)
20512501	TRANSFORMER (HYDRONIC)

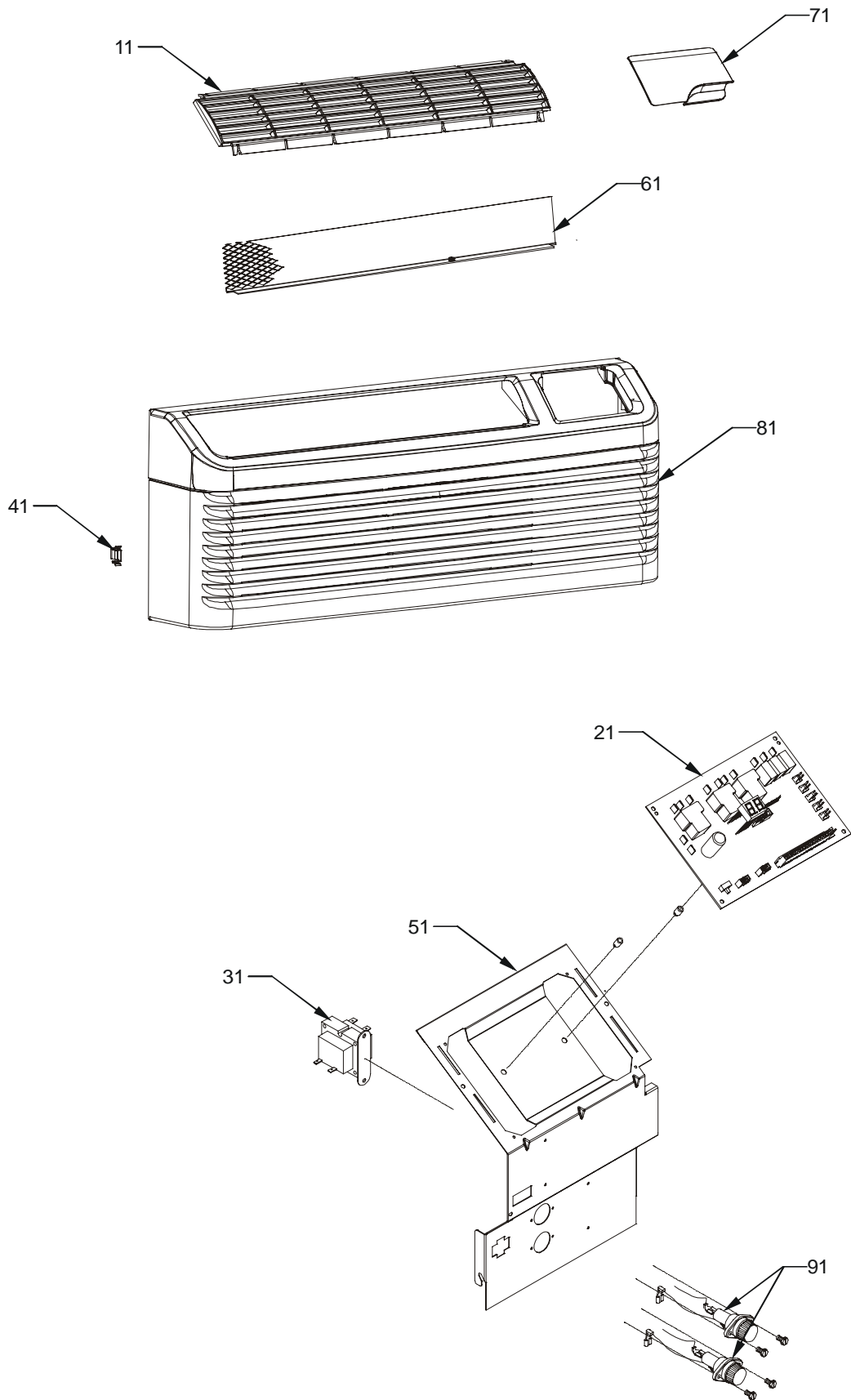
SPECIAL PARTS

IO-723	INSUL OWNER MANUAL
IO-728A	INSUL, INSTALL

Expanded Model Nomenclature

M1 - PTC123E00AXXXAB
M2 - PTC123E25AXXXAB
M3 - PTC123E35AXXXAB
M4 - PTC123E35CXXXAB
M5 - PTC123E35RXXXAB
M6 - PTC153E00AXXXAA
M7 - PTC153E25AXXXAA
M8 - PTC153E35AXXXAA
M9 - PTC153E50AXXXAA

Front Assy



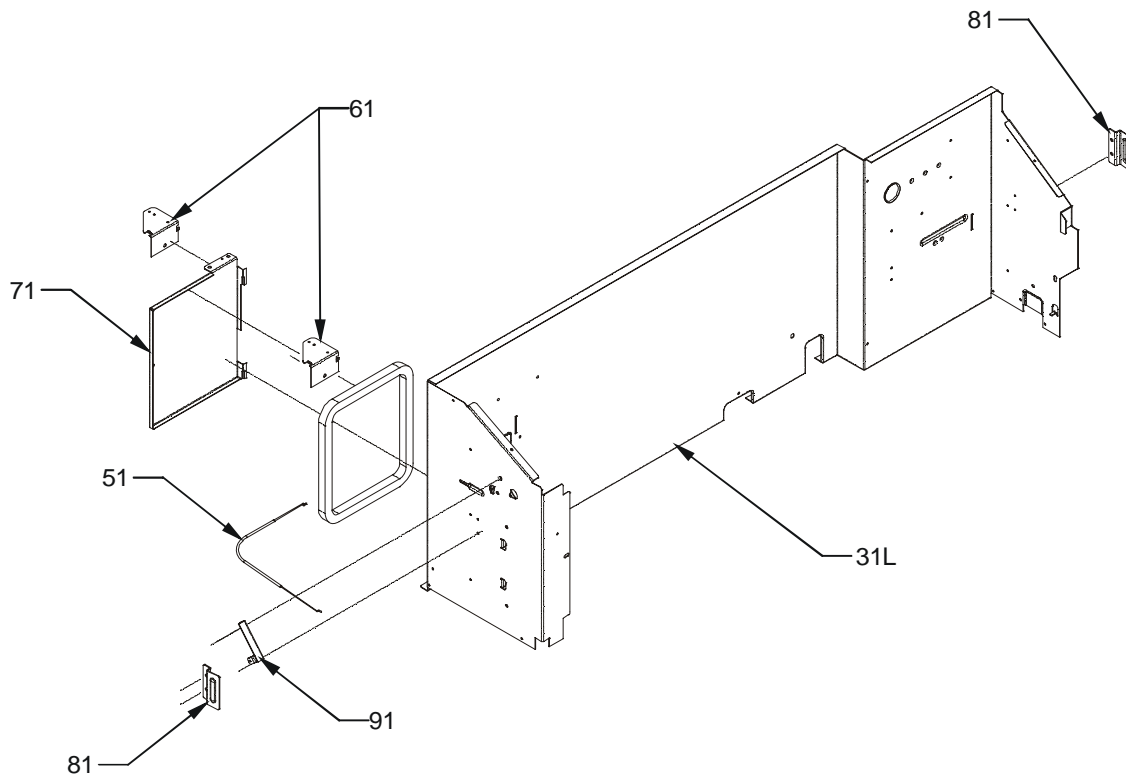
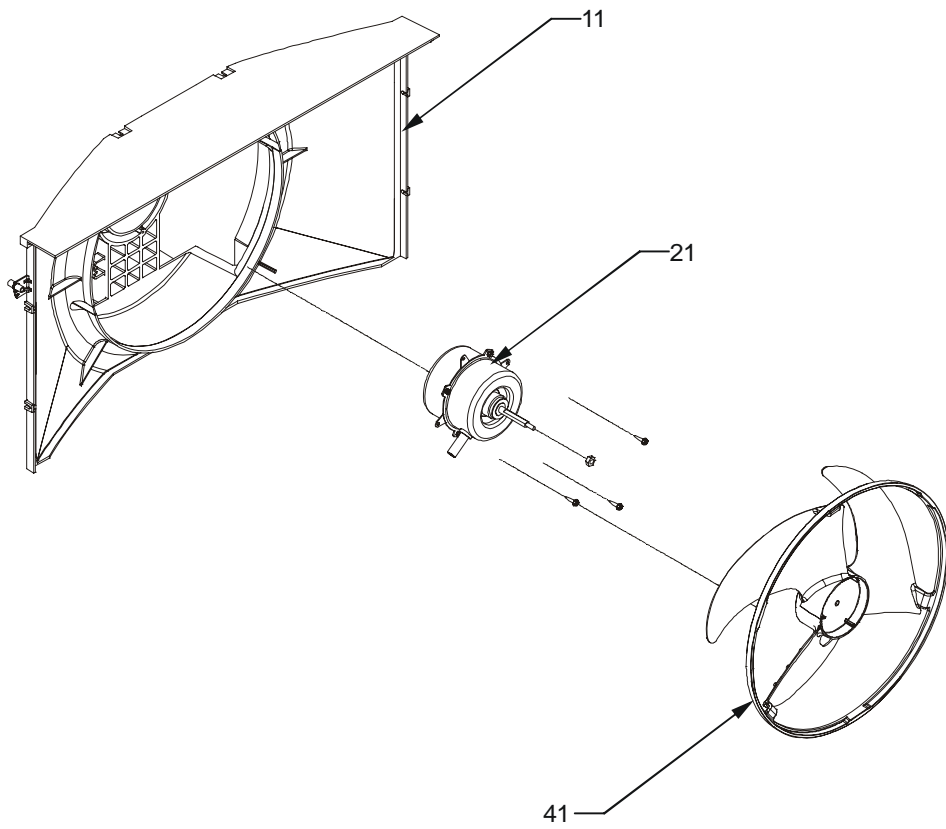
Front Assy

Ref. Part No:	No:	Description:	Ref. Part No:	No:	Description:
<i>Image 1:</i>					
11	0161P00033	FRONT-DICHARGE LOUVERS			
21	PCBCP131	CONTROL BOARD M61			
31	20512501	TRANSFORMER (HYDRONIC)			
41	0163P00025	CLIP (QTY 2)			
51	0121P00001P	CONTROL PANEL COVER			
61	0121P00073DG	DISCHARGE SCREEN, PNT			
71	0261P00003	DOOR ASSY -AMANA-			
71	0161P00034	DOOR, ACCESS			
81	0261P00006	FRONT ASSY			
NS	1261401	DIGITENNA (M5)			

Expanded Model Nomenclature

M1 - PTC123E00AXXXAB
M2 - PTC123E25AXXXAB
M3 - PTC123E35AXXXAB
M4 - PTC123E35CXXXAB
M5 - PTC123E35RXXXAB
M6 - PTC153E00AXXXAA
M7 - PTC153E25AXXXAA
M8 - PTC153E35AXXXAA
M9 - PTC153E50AXXXAA

Chassis Control Panel



Chassis Control Panel

Ref. Part No:	No:	Description:	Ref. Part No:	No:	Description:
---------------	-----	--------------	---------------	-----	--------------

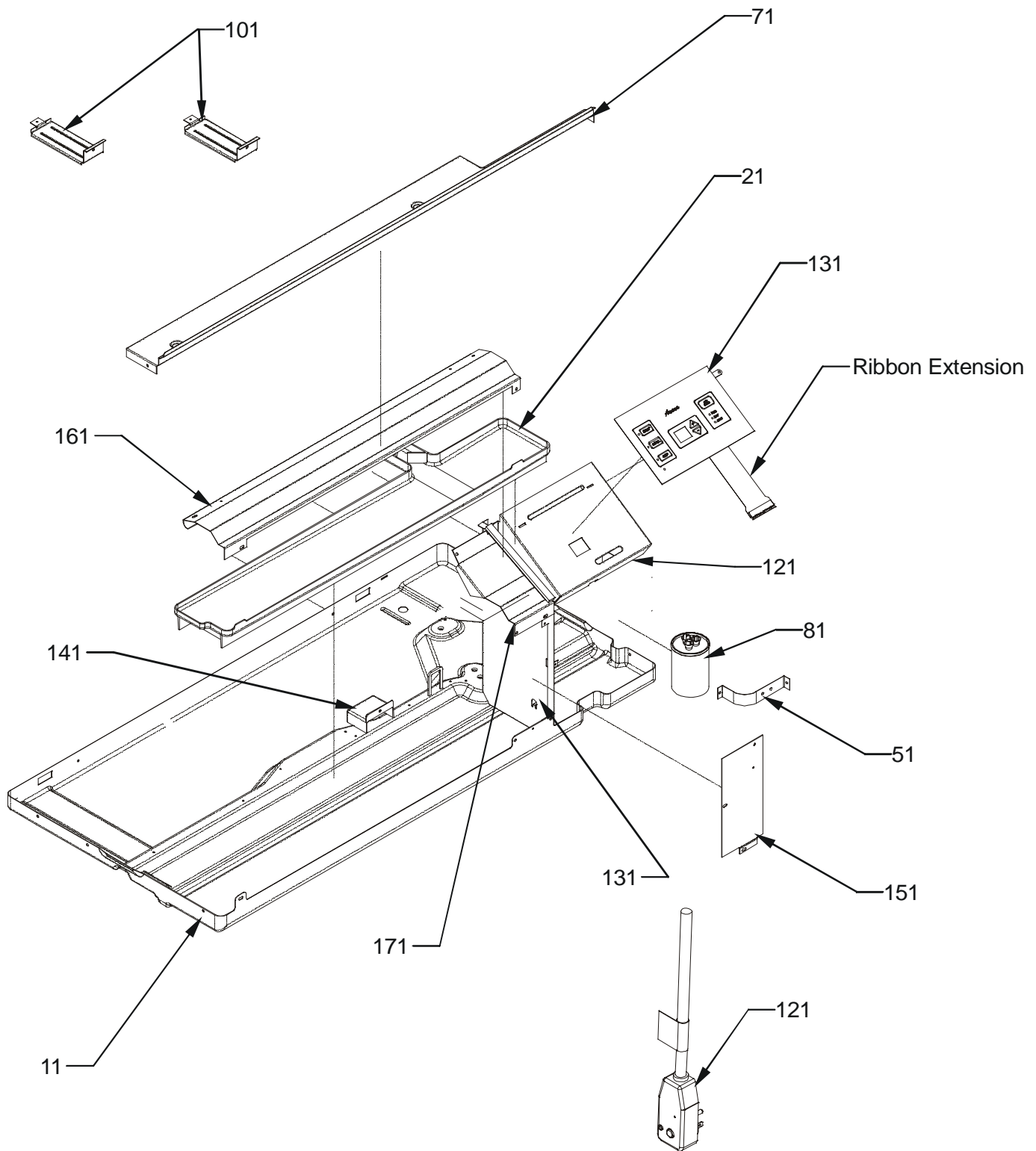
Image 1:

11	0161P00026	SHROUD, CONDENSER			
21	0131P00008	FAN MOTOR, OUTDOOR (M6, M7, M8, M9)			
21	0131P00014	FAN MOTOR, OUTDOOR (M1, M2, M3, M4, M5)			
31	0121P00057DG	PARTITION PANEL PNT			
41	0161P00030	FAN, CONDENSER			
71	11046105PDG	VENT DOOR			
81	11191703	PARTITION PANEL BRACKET (QTY 2)			
91	11046302	LEVER ARM			

Expanded Model Nomenclature

- M1 - PTC123E00AXXXAB
- M2 - PTC123E25AXXXAB
- M3 - PTC123E35AXXXAB
- M4 - PTC123E35CXXXAB
- M5 - PTC123E35RXXXAB
- M6 - PTC153E00AXXXAA
- M7 - PTC153E25AXXXAA
- M8 - PTC153E35AXXXAA
- M9 - PTC153E50AXXXAA

Partition Assy



Partition Assy

Ref. Part No:	No:	Description:	Ref. Part No:	No:	Description:
---------------	-----	--------------	---------------	-----	--------------

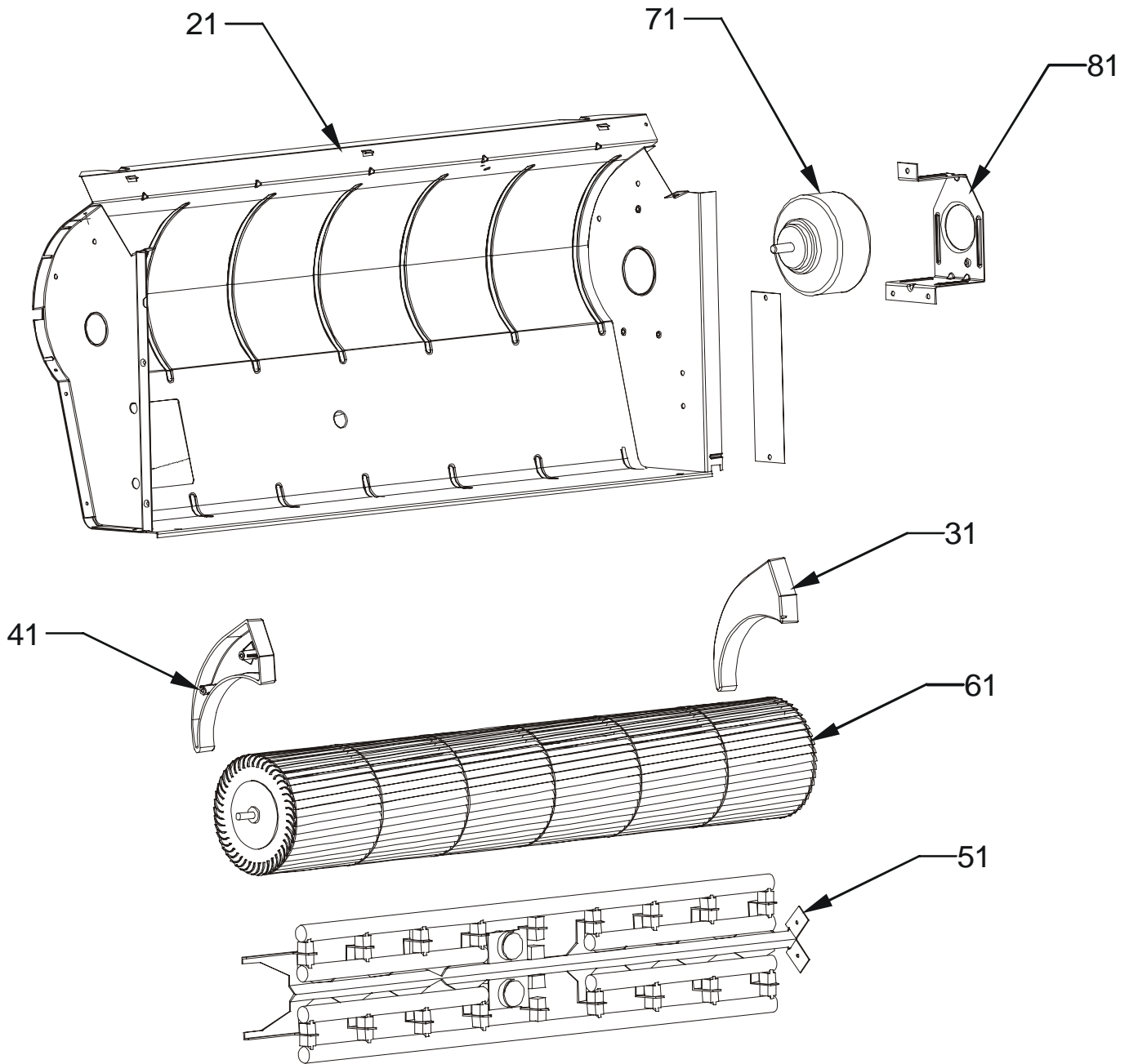
Image 1:

11	0121P00056DG	BASEPAN, PNT
21	0161P00023	PLASTIC-DRAIN PAN
51	C6300502	CAPACITOR STRAP
61	20410801	ACCESS COVER
71	0121P00063DG	TOP, PARTITION PANEL
81	CAP030300440RS	CAP, 3/30 MFD/440V/DUAL RD
81	CAP020000440P	CAPACITOR, 440V
131	20403301	MID PARTITION PANEL
141	0161P00016	PLASTIC-HOOD
161	0121P00061DG	CUTOFF-SCROLL DG
171	0121P00070DG	COVER, MOTOR PNT

Expanded Model Nomenclature

M1 - PTC123E00AXXXAB
M2 - PTC123E25AXXXAB
M3 - PTC123E35AXXXAB
M4 - PTC123E35CXXXAB
M5 - PTC123E35RXXXAB
M6 - PTC153E00AXXXAA
M7 - PTC153E25AXXXAA
M8 - PTC153E35AXXXAA
M9 - PTC153E50AXXXAA

Indoor Assy



Indoor Assy

Ref. Part No:	Part No:	Description:	Ref. Part No:	Part No:	Description:
---------------	----------	--------------	---------------	----------	--------------

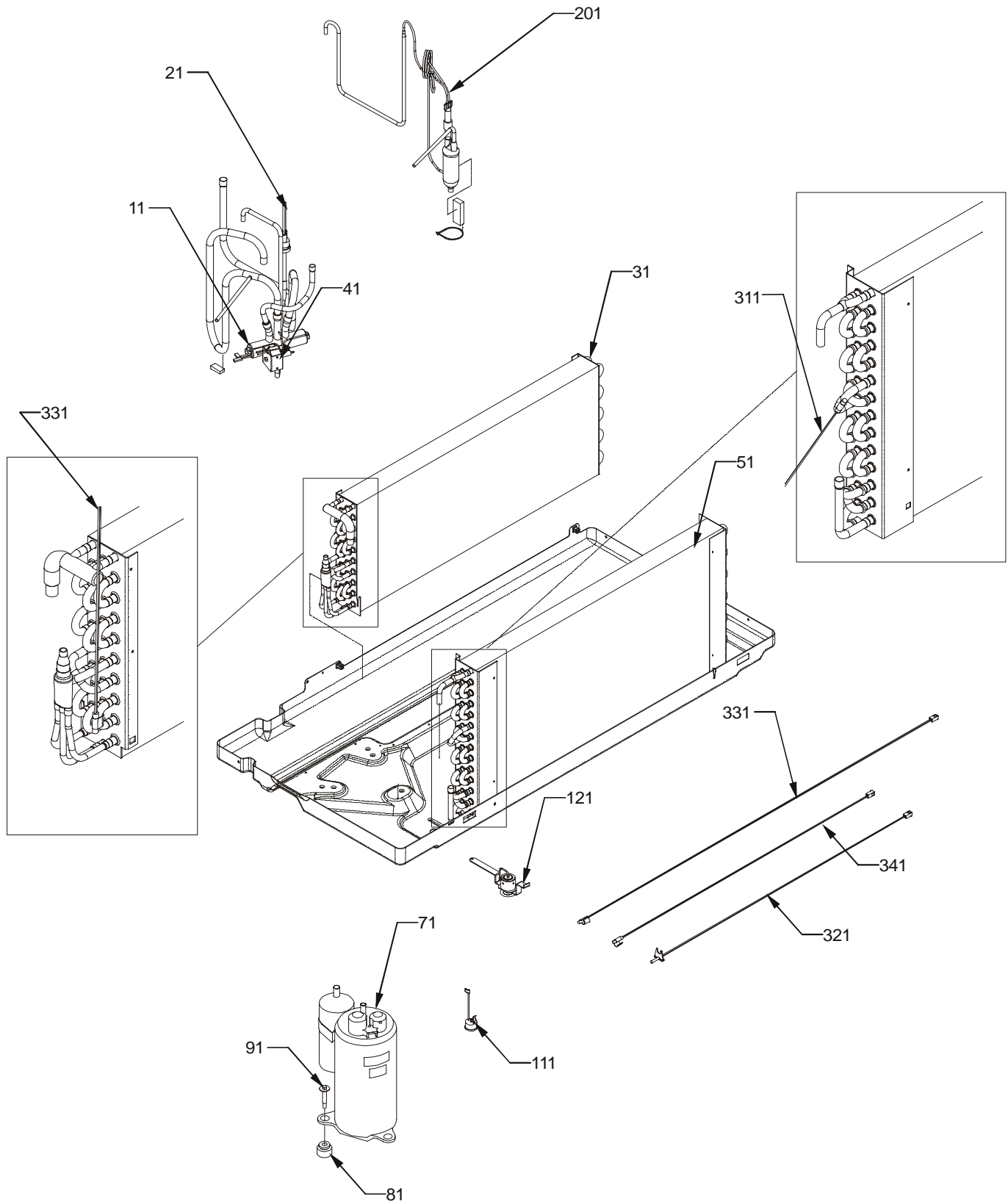
Image 1:

21	0270P00938DG	SCROLL ASSY, PNT
31	0161P00021	END CAP, RIGHT
31	0130P00054	MEMBRANE (CONTROL)
41	0161P00022	END CAP, LEFT
51	0275P00000	HEATER ASSY (M3, M4, M5, M8)
51	0275P00001	HEATER ASSY (M9)
51	0275P00002	HEATER ASSY (M2, M7)
51	0275P00007	HEATER MODULE 0.0KW 230/208V (M1, M6)
51	0275P00005	HEATER MODULE 2.5KW 230/208V (M2, M7)
51	0275P00003	HEATER MODULE 3.5 KW 230V (M3, M4, M5, M8)
51	0275P00004	HEATER MODULE 5.0KW 230/208V (M9)
61	0150P00003	WHEEL, BLOWER
71	0131P00006	FAN MOTOR, INDOOR (M1, M2, M3, M4, M5)
71	0131P00007	FAN MOTOR, INDOOR (M6, M7, M8, M9)
81	0121P00048	BRACKET-MOTOR MOUNT

Expanded Model Nomenclature

M1 - PTC123E00AXXXAB
M2 - PTC123E25AXXXAB
M3 - PTC123E35AXXXAB
M4 - PTC123E35CXXXAB
M5 - PTC123E35RXXXAB
M6 - PTC153E00AXXXAA
M7 - PTC153E25AXXXAA
M8 - PTC153E35AXXXAA
M9 - PTC153E50AXXXAA

Tubing Assy



Tubing Assy

Ref. Part No:	Ref. Part No:	Description:	Description:
---------------	---------------	--------------	--------------

Image 1:

21	0130M00066	SWITCH, HIGH PRESS
31	0202P00065	EVAP ASSY, 5/16, 3 ROW
51	0201P00079DG	COND ASSY PNT
71	44A282A	COMPRESSOR, RECHI (M1, M2, M3, M4, M5)
71	50A362Q	COMPRESSOR, RECHI (M6, M7, M8, M9)
81	A3448602	COMPRESSOR GROMMET (M6, M7, M8, M9)
81	60140209	GROMMET - RECHI COMPRESSOR (M1, M2, M3, M4, M5)
91	M0227803	SCREW-TC (QTY 3)
111	60343503	OVERLOAD PROTECTOR (M1, M2, M3, M4, M5)
111	60343546	OVERLOAD PROTECTOR (M6, M7, M8, M9)
201	0210P00112	CAPILLARY WELDMENT (M1, M2, M3, M4, M5)
201	0210P00153	CAPILLARY WELDMENT (M6, M7, M8, M9)
311	20295711	THERMISTOR (M5)
311	0130P00039	THERMISTOR-OUTDOOR AMBIENT (M5)
331	0130P00038	THERMISTOR-DISCHARGE
331	0130P00047	THERMISTOR-INDOOR AMBIENT
331	0130P00033	THERMISTOR-INDOOR COIL
NS	BT1392310	PLASTIC CLAMP, .1875 DIA

Expanded Model Nomenclature

M1 - PTC123E00AXXXAB
M2 - PTC123E25AXXXAB
M3 - PTC123E35AXXXAB
M4 - PTC123E35CXXXAB
M5 - PTC123E35RXXXAB
M6 - PTC153E00AXXXAA
M7 - PTC153E25AXXXAA
M8 - PTC153E35AXXXAA
M9 - PTC153E50AXXXAA