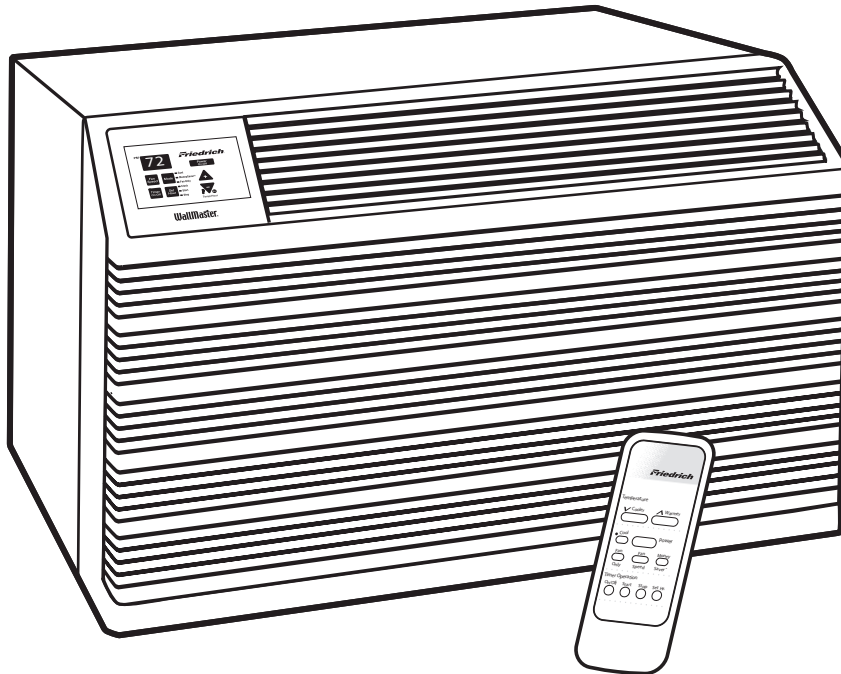




# FRIEDRICH

---

## Parts Manual – R410A Models



### WallMaster® Thru-the-Wall Air Conditioners and Heat Pumps

---

Cool Only Units

115-Volt: WS08C10-A, WS10C10-A, WS12C10-A  
230-Volt: WS10C30-A, WS13C30-A, WS15C30-A

---

Cool with Electric  
Heat Units

115-Volt: WE10C33-A, WE13C33-A, WE15C33-A

Heat Pump with  
Electric Heat Backup

230-Volt: WY09C33-A, WY12C33-A

---

# Table of Contents

Unit Identification .....	2
WallMaster Exploded Unit Diagram .....	3
WallMaster Parts List .....	4
WallMaster Exploded Sleeve Diagram .....	5

# FRIEDRICH WALLMASTER MODEL NUMBER CODE

**W S 08 C 1 0 A**

**1st DIGIT - FUNCTION** \_\_\_\_\_

W = Thru-The-Wall, WallMaster Series

**2nd DIGIT - TYPE** \_\_\_\_\_

S = Straight Cool  
E = Electric Heat  
Y = Heat Pump

**3rd & 4th DIGITS - APPROXIMATE BTU/HR (Cooling)** \_\_\_\_\_

Heating BTU/HR capacity listed in Specifications/Performance Data Section

**5th DIGIT - ALPHABETICAL MODIFIER** \_\_\_\_\_

**6th DIGIT - VOLTAGE** \_\_\_\_\_

1 = 115 Volts  
3 = 230-208 Volts

**7th DIGIT** \_\_\_\_\_

0 = Straight Cool & Heat Pump Models  
ELECTRIC HEAT MODELS  
3 = 3 KW Heat Strip, Nominal

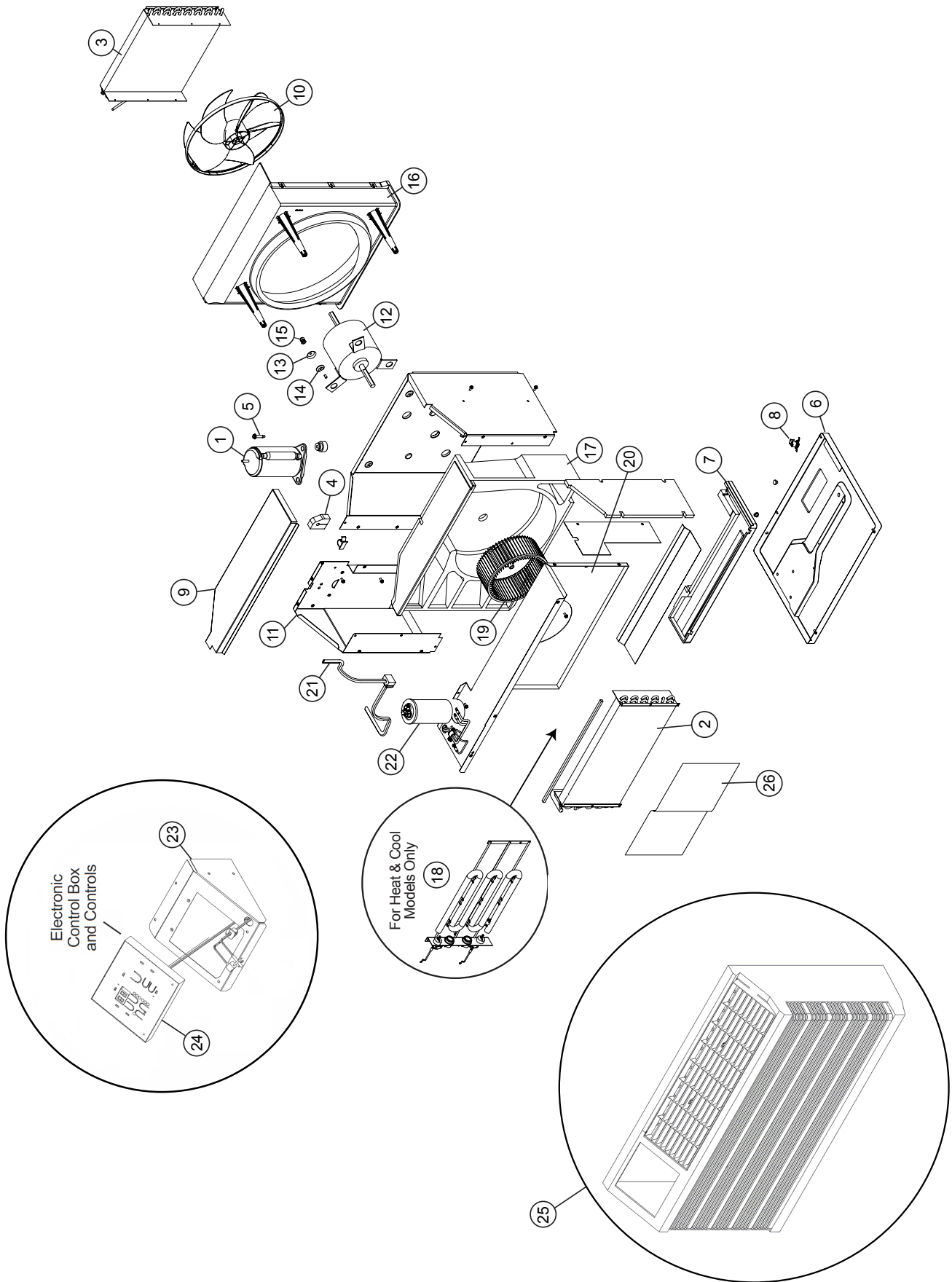
**8th DIGIT** \_\_\_\_\_

Major Change

## WallMaster Serial Number Identification Guide

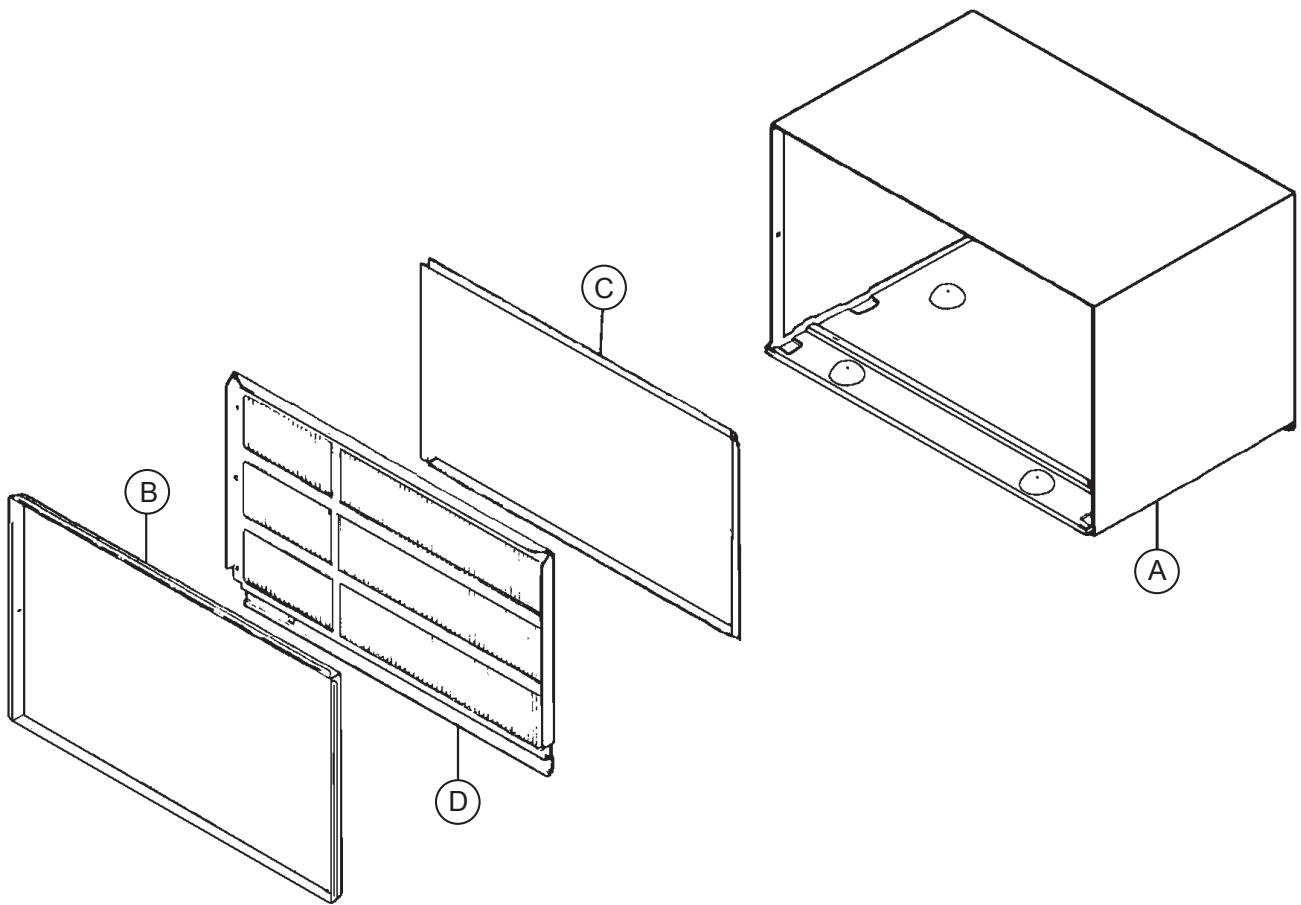
<b>SERIAL NUMBER</b>	<b>A</b>	<b>K</b>	<b>A</b>	<b>X</b>	<b>00001</b>
<b>YEAR MANUFACTURED</b>					<b>PRODUCTION RUN NUMBER</b>
LJ = 2009    AE = 2015 AK = 2010    AF = 2016 AA = 2011    AG = 2017 AB = 2012    AH = 2018 AC = 2013    AJ = 2019 AD = 2014					<b>PRODUCT LINE</b> X = WallMaster
<b>MONTH MANUFACTURED</b>					
A = Jan      D = Apr      G = Jul      K = Oct B = Feb      E = May      H = Aug      L = Nov C = Mar      F = Jun      J = Sep      M = Dec					

# WALLMASTER EXPLODED UNIT DIAGRAM



REF NO.	PART NO.	DESCRIPTION	WE10C33-A	WE13C33-B	WE15C33-A	WS08C10-B	WS10C10-A	WS10C30-A	WS12C10-A	WS13C30-B	WS15C30-A	WY09C33-A	WY12C33-A
1	61717154	COMPRESSOR KIT				1							
1	61717145	COMPRESSOR KIT					1						
1	61717150	COMPRESSOR KIT		1						1			
1	61717151	COMPRESSOR KIT			1						1		
1	61717152	COMPRESSOR KIT							1				
1	61717146	COMPRESSOR KIT	1				1						
1	61717153	COMPRESSOR KIT										1	
1	61717170	COMPRESSOR KIT											1
2	61896208	EVAPORATOR COIL		1						1			
2	61896216	EVAPORATOR COIL											1
2	61896309	EVAPORATOR COIL	1				1					1	
2	62102303	EVAPORATOR COIL				1	1						
2	62103317	EVAPORATOR COIL			1				1		1		
3	61896027	CONDENSER COIL	1					1				1	
3	61896200	CONDENSER COIL		1						1			
3	61896215	CONDENSER COIL			1		1				1		1
3	62103411	CONDENSER COIL							1				
3	62103505	CONDENSER COIL				1							
*	03760479	CAPILLARY TUBE				1							
*	03760500	CAPILLARY TUBE							2				
*	03760513	CAPILLARY TUBE					1					1	
*	03760545	CAPILLARY TUBE			2						2		
*	03760548	CAPILLARY TUBE											1
*	03760558	CAPILLARY TUBE		2						2			
*	03760560	CAPILLARY TUBE										1	
*	03760564	CAPILLARY TUBE											1
*	03760534	CAPILLARY TUBE	1				1						
*	61834800	COIL STRAINER	1	1	1	1	1				1	2	3
*	61834801	COIL STRAINER		1					1	1			
*	61828202	FILTER DRIER (LIQUID)	1	1	1	1	1	1	1	1	1		
*	61828204	SUCTION FILTER											1
*	61824404	VALVE CHECK											1
*	25022022	REVERSING VALVE & SOLENOID KIT											1
4	61028900	COMPRESSOR GROMMET	3	3	3	3	3	3	3	3	3	3	3
5	91400400	COMPRESSOR BOLT	3	3	3	3	3	3	3	3	3	3	3
6	61606217	BASEPAN	1										1
6	61606219	BASEPAN		1	1							1	
6	62100914	BASEPAN				1	1						
6	62100915	BASEPAN					1		1	1	1		
7	62101901	DRAINPAN ASSY	1	1	1	1	1	1	1	1	1	1	1
8	60179903	BELLOWS CONDENSATE VALVE	1	1	1								1
*	61715800	COUNTER WEIGHT	3	3	4	2	3	3	3	3	4		
*	61925001	THERMISTOR HOLDER	1	1	1	1	1	1	1	1	1	1	1
9	62100700	TOP COVER	1	1	1	1	1	1	1	1	1	1	1
10	62101500	CONDENSER FAN BLADE	1	1	1	1	1	1	1	1	1	1	1
11	62100150	LEFT SIDE PANEL	1	1	1	1	1	1	1	1	1	1	1
12	61871455	FAN MOTOR							1				
12	61871457	FAN MOTOR				1	1						
12	61871458	FAN MOTOR		1						1		1	1
12	61871459	FAN MOTOR	1		1			1			1		
13	60640600	FAN MOTOR RETAINER CUP	3	3	3	3	3	3	3	3	3	3	3
14	60640500	FAN MOTOR GROMMET	3	3	3	3	3	3	3	3	3	3	3
15	91003000	FAN MOTOR HEX NUT	3	3	3	3	3	3	3	3	3	3	3
16	62102000	SHROUD	1	1	1	1	1	1	1	1	1	1	1
17	62102100	SCROLL	1	1	1	1	1	1	1	1	1	1	1
18	62101210	HEATER 3.4 KW, 230V	1	1	1								1
19	60610604	BLOWER WHEEL	1	1	1	1	1	1	1	1	1	1	1
20	62100600	BLOWER FRONT				1	1						
20	62100601	BLOWER FRONT	1	1	1	1	1			1	1	1	1
21	61080519	CAPACITOR			1						1		
21	61080522	CAPACITOR											1
21	61080523	CAPACITOR	1					1					
21	61080533	CAPACITOR					1						
21	61080534	CAPACITOR		1						1			
21	61080537	CAPACITOR											1
21	61080554	CAPACITOR				1							
21	61080569	CAPACITOR							1				
22	60500325	SUPPLY CORD								1			
22	60500382	SUPPLY CORD				1	1		1				
22	60500384	SUPPLY CORD						1			1		
22	60500388	SUPPLY CORD	1	1	1							1	1
23	62100002	CONTROL PANEL MOUNT	1	1	1	1	1	1	1	1	1	1	1
24	61921211	ELECTRONIC CONTROL 115V, COOL ONLY				1	1		1				
24	61921212	ELECTRONIC CONTROL 230V, COOL ONLY						1		1	1		
24	61987001	ELECTRONIC CONTROL 230V COOL + ELEC HEAT	1	1	1								
24	61987101	ELECTRONIC CONTROL 230V HP + ELEC HEAT										1	1
*	61764562	OVERLOAD	1					1					
*	61764566	OVERLOAD					1						
*	61764570	OVERLOAD			1						1		
*	61764573	OVERLOAD		1						1			
*	61764584	OVERLOAD							1				
*	61764591	OVERLOAD										1	
*	61764592	OVERLOAD											1
*	61764597	OVERLOAD				1							
*	61717301	CHASSIS SEAL GASKET	1	1	1	1	1	1	1	1	1	1	1
25	61607006	DECORATIVE FRONT ASSY	1	1	1	1	1	1	1	1	1	1	1
*	60865900	FILTER HOLDER	2	2	2	2	2	2	2	2	2	2	2
26	60865811	AIR FILTER	1	1	1	1	1	1	1	1	1	1	1
*	61826610	REMOTE CONTROL 2010 COOL ONLY				1	1	1	1	1	1		
*	61987201	REMOTE CONTROL 2010 HEAT/COOL	1	1	1							1	1
*	60846020	ASY SCREW BAG (W/ DRAIN TUBE)	1	1	1	1	1	1	1	1	1	1	1

# WALLMASTER EXPLODED SLEEVE DIAGRAM



ABCD	WSD	COMPLETE SLEEVE ASSY
B	61603200	INNER WEATHER PANEL (METAL)
C	61603304	OUTDOOR WEATHER PANEL (PAINTED METAL)
D	61603011	STAMPED OUTDOOR GRILLE

# TECHNICAL SUPPORT CONTACT INFORMATION



**F R I E D R I C H**

**FRIEDRICH AIR CONDITIONING CO.**

Post Office Box 1540 · San Antonio, Texas 78295-1540

4200 N. Pan Am Expressway · San Antonio, Texas 78218-5212

(210) 357-4400 · 877-599-5665 x 846 · FAX (210) 357-4490

Email: [tac@friedrich.com](mailto:tac@friedrich.com)

[www.friedrich.com](http://www.friedrich.com)

Printed in the U.S.A.