



If you desire additional (and more traditional) cooking options, or if your kitchen space is limited, the dual-fuel Aga Companion could be just your cup of tea.

FABULOUSLY FLEXIBLE.

This dual-fuel range has four gas burners and two electric ovens. It is the perfect complement to your two or four-oven Aga, attaching directly to either model.* Or, it can be placed in a separate location in the kitchen. Available in all the same colors, combining your Aga with a Companion offers you the ultimate in cooking versatility: indirect radiant heat, a live gas flame and electric simultaneously.

FITS ANYWHERE.

The Companion can also be used independently as a free-standing range. Sized to fit standard kitchen cabinets, it features a top electric conventional oven with an integral broiler, and a lower convection oven. The four gas burners (your choice of natural gas or propane), include two semi-rapid (6,000 BTUs), one rapid (11,000 BTUs), and one ultra-rapid/wok burner (12,000 BTUs).

SAME RENOWNED BRITISH CRAFTSMANSHIP.

Like all Agas, the Companion is created entirely by hand to exacting standards. This superior quality workmanship is covered by a one-year parts and labor warranty.

AN AGA FOR EVERY TASTE.

*When attaching your Companion to your two or four-oven Aga, both units must be purchased simultaneously to ensure a perfect color match.



BRITAIN'S HANDCRAFTED AGA RANGE. HISTORY IN THE MAKING FOR OVER 80 YEARS.

Since the 1920s, the Aga has been a treasured possession in kitchens across Europe and throughout the world. Each cooker is unique in its own fashion, cast in an historic foundry in Coalbrookdale, Shropshire that has been smelting iron since 1709.

PHOTOS ACROSS TOP

PHOTO ONE The very nature of molten cast iron poured into molds gives the Aga its characteristic finish and makes each Aga subtly unique.

PHOTO TWO Castings undergo a three-day, three-coat enameling process, using Aga's specially prepared vitreous enamel for the highest quality finish.

PHOTO THREE Each finished Aga is inspected and color matched prior to assembly.

PHOTO FOUR The deceptively simple Aga design and graceful styling has remained popular for more than eight decades.

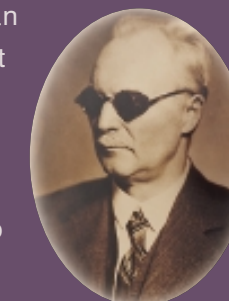
PHOTO FIVE The elegant Aga styling remains largely unchanged since the first models were advertised in Britain in the 1930s.

PHOTO SIX Main castings for the Aga are made in Coalbrookdale, Shropshire, the British foundry where in 1709 Abraham Darby first showed the world that iron could be smelted using coke.

Today, each Aga continues to be handmade by gifted craftsmen, with every step of the building and finishing process continuously inspected for quality and excellence. Upon completion, your Aga will be shipped from the United Kingdom to the United States, professionally delivered to your home, and carefully assembled by a skilled Aga technician right in your own kitchen.

PURE GENIUS.

Dr. Gustaf Dalen, a Nobel Prize winning Swedish physicist, lost his sight in an explosion in 1922. During his recovery at home, he became aware of how difficult it was for his wife to prepare the daily meals. It could be simpler. He designed a stove that would be easy to use, and consistent in its performance. Employing the tried and true concept of heat storage, he combined a small and efficient heat source, two large hotplates and two generous ovens into one robust and compact unit. And thus, the Aga was born.



BRITISH RACING GREEN
2 OVEN WITH COMPANION



NEW SIGNATURE COLLECTION



Heather



Pistachio



Terracotta



White



Wedgwood Blue



Aubergine



Jade

STANDARD COLORS



Cream



Dark Blue



Black



Pewter



Claret



Golden Yellow



Royal Blue



British Racing Green

Agas are available in a choice of eight standard colors and seven new ones from the Signature Collection — to perfectly complement your kitchen, as well as your personality. Colors shown are printed representations. For a true Aga color sample, please visit your Aga specialist to view the actual color chips.

AGA. A RANGE OF COLORS.

PREMIUM OPTIONS

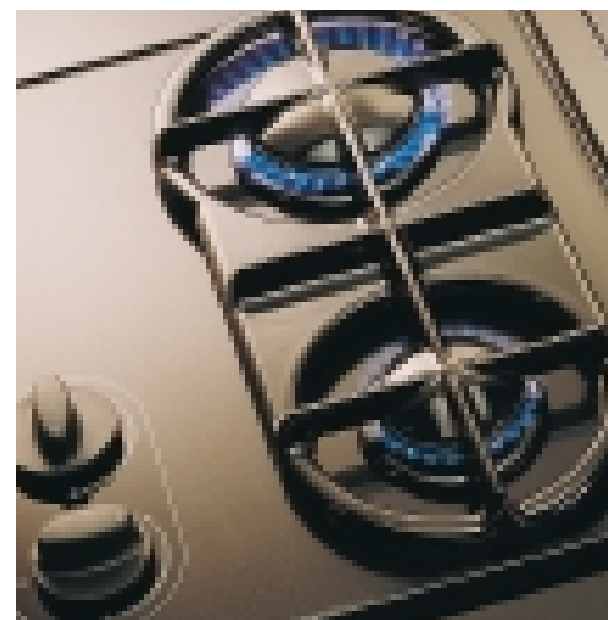


COLOR MATCHED LIDS

Cast iron lids can be created for you in the same color vitreous enamel as your Aga. If preferred, this option must be chosen when placing your Aga order to ensure a perfect color match.

THE CLASSIC AGA BADGE

Nostalgia buffs with a sense of history, or those who wish to enhance the timeless appeal of their Aga, may replace the standard Aga badge with the Classic — the original badge that for so many years symbolized the stylish essence of the first Aga.



GAS BURNER

For those who love the look of an Aga, but also desire a live flame for cooking, a gas burner option to replace the standard warming plate on the 4 Oven Aga is available. This option is offered in natural gas or propane and must be specified at the time of purchase.



2 OVEN AGA

Fuel: Natural or Propane Gas
 Height: 33 1/2"
 Width: 38 7/8"
 Depth: 26 3/4"



4 OVEN AGA

Fuel: Natural or Propane Gas
 Height: 33 1/2"
 Width: 58 5/8"
 Depth: 26 3/4"



COMPANION

Fuel: Natural or Propane Gas Burners and Electric Ovens
 Height: 36"
 Width: 24
 Depth: 23 3/4"

TO THE CHEF, WITH OUR COMPLIMENTS.

As a new Aga owner, we will provide you with an Aga Toaster, two Roasting Tins, two Grid Shelves, one Plain Shelf, a Wire Brush and the popular Aga Cookbook at absolutely no cost. Once we receive your Warranty Card, we also will send you a complimentary Aga Kettle and a Grill Pan.



2 OVEN AGA WITH COMPANION

Fuel: 2 Oven Aga — Natural or Propane Gas
 Companion — Natural or Propane Gas Burners and Electric Ovens
 Height: 33 1/2" Width: 63" Depth: 26 3/4"



4 OVEN AGA WITH COMPANION

Fuel: 4 Oven Aga—Natural or Propane Gas
 Companion—Natural or Propane Gas Burners and Electric Ovens
 Height: 33 1/2" Width: 82 3/4" Depth: 26 3/4"

AGA OVEN SIZES

AGA 2 & 4 OVENS

	H	W	D
Top right	10"	13 3/4"	19 1/2"
Top left	10"	13 3/4"	20 3/4"
Lower right	10"	13 3/4"	19 1/2"
Lower left	10"	13 3/4"	20 3/4"

AGA COMPANION OVENS

	H	W	D
Top	8 1/2"	13 3/4"	19"
Bottom	10"	13 3/4"	17"

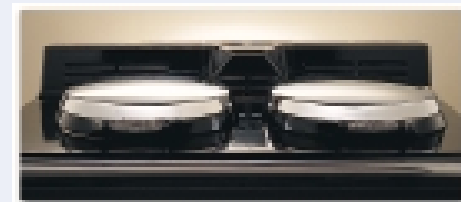
LIMITED FIVE-YEAR WARRANTY

For more than 80 years Aga cookers have been handmade from the finest materials by skilled British craftsmen. Your Aga has been built to these same exacting standards, providing you the ultimate in quality, reliability and style.

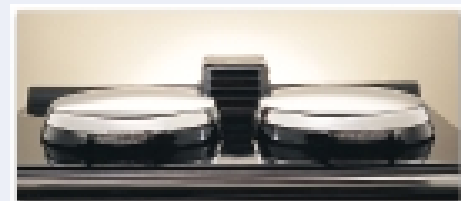
Aga Ranges, Inc. certifies that the best materials and skilled workmanship have been used to manufacture your Aga cooker. Because we take such pride in our work, your cooker carries a Five-Year Limited Warranty from the date of installation. There is a One-Year Limited Warranty on the Aga Companion.



STANDARD VENT



POWER VENT



DIRECT VENT

VENTING OPTIONS

The most effective of three available venting system options for your home — direct, power or standard — will be determined by a pre-installation survey. Contact your Aga specialist to arrange a home survey.

FITTING AND ASSEMBLY

When your Aga arrives from the United Kingdom, it will be assembled by hand right in your kitchen by a skilled Aga technician.

Vitreous Enamelled Insulated Covers: While we make every effort to ensure that the lid colors match the front, under certain lighting and temperature conditions slight variations in color may become apparent. Aga Ranges accepts no liability for any alleged variations in color between an enamelled lid and the rest of the appliance.

Please note that these sizes are an approximate guide only as each unit is hand crafted.

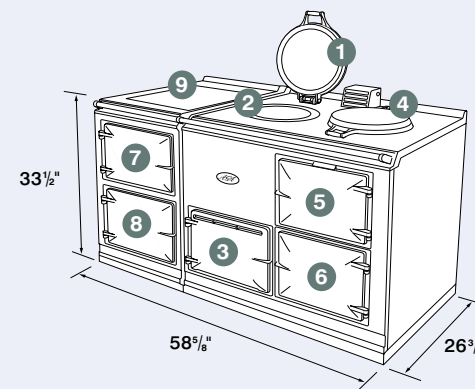
When attaching your Companion to your two or four-oven Aga, both units must be purchased simultaneously to ensure a perfect color match.

Any superimposed hearth needed to line cooker up with different units is part of the site preparation and is not included in the Aga specification.

Dimensions stated are base measurements. For full dimensions consult your local showroom. A tolerance of +3 mm-0 mm should be taken into account on the overall width of the two and four-oven models when planning kitchen units, or a recess.

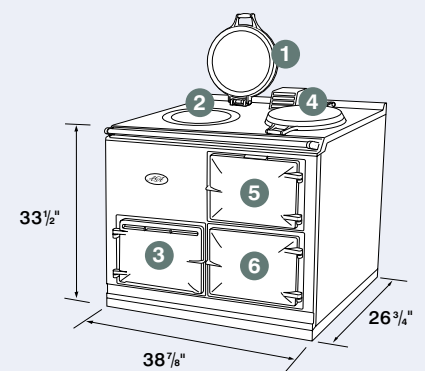
To ensure that your Aga continues to work both safely and efficiently we recommend periodic servicing. Contact your local Aga showroom for details.

AGA OVEN SIZES.



4 OVEN AGA COOKER

- 1. Insulated Covers
- 2. Boiling Plate
- 3. Heat Source
- 4. Simmering Plate
- 5. Roasting Oven
- 6. Baking Oven
- 7. Simmering Oven
- 8. Warming Oven
- 9. Warming Plate



2 OVEN AGA COOKER

- 1. Insulated Covers
- 2. Boiling Plate
- 3. Heat Source
- 4. Simmering Plate
- 5. Roasting/Baking Oven
- 6. Simmering/Warming Oven